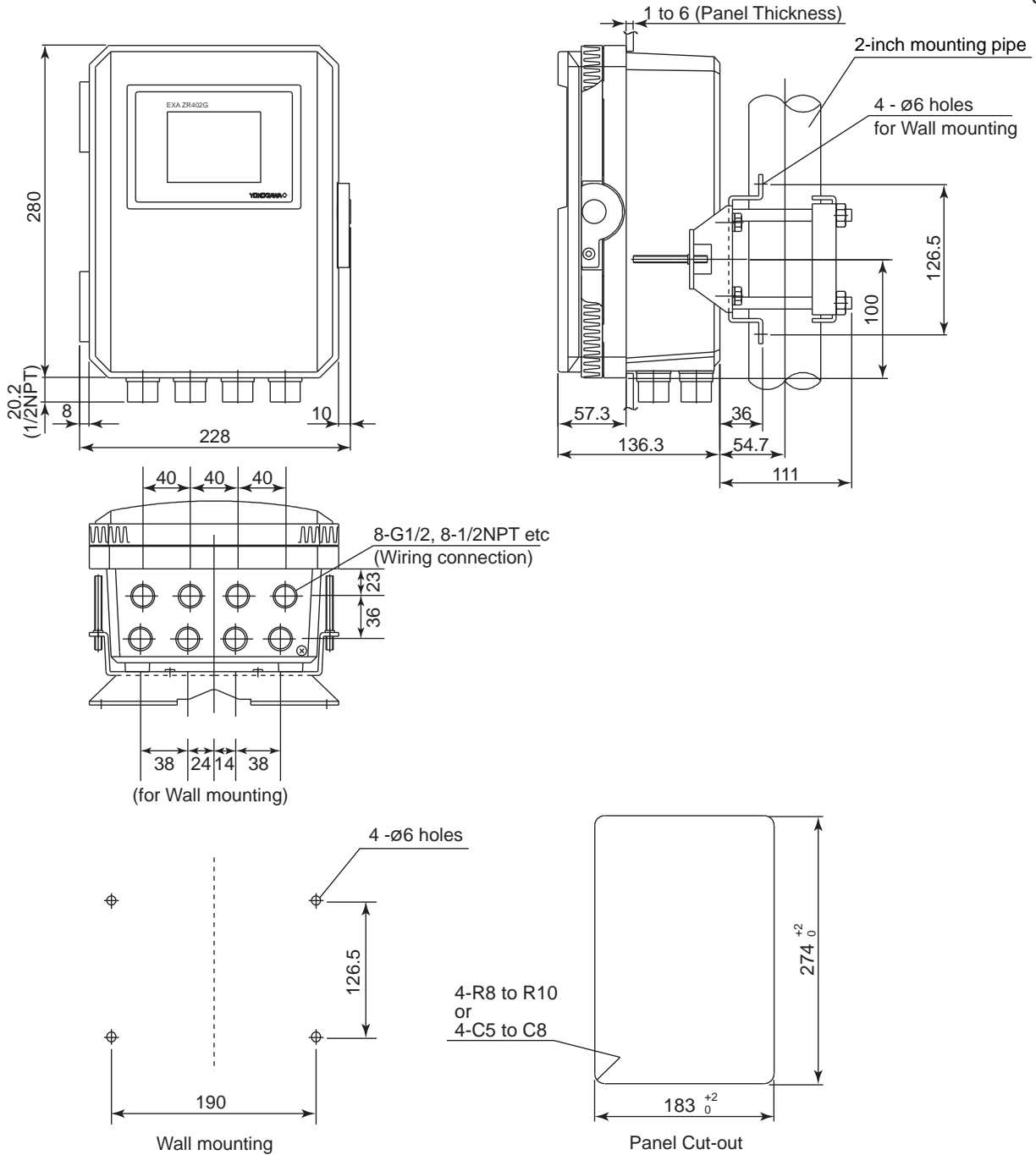


Drawings

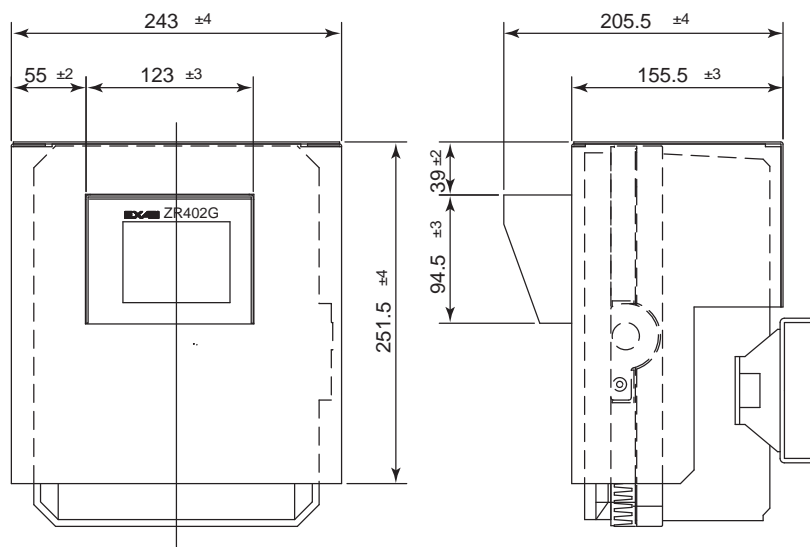
ZR402G-□-□-□- A Separate type Zirconia Oxygen/ High Temperature Humidity Analyzer, Converter

Unit: mm



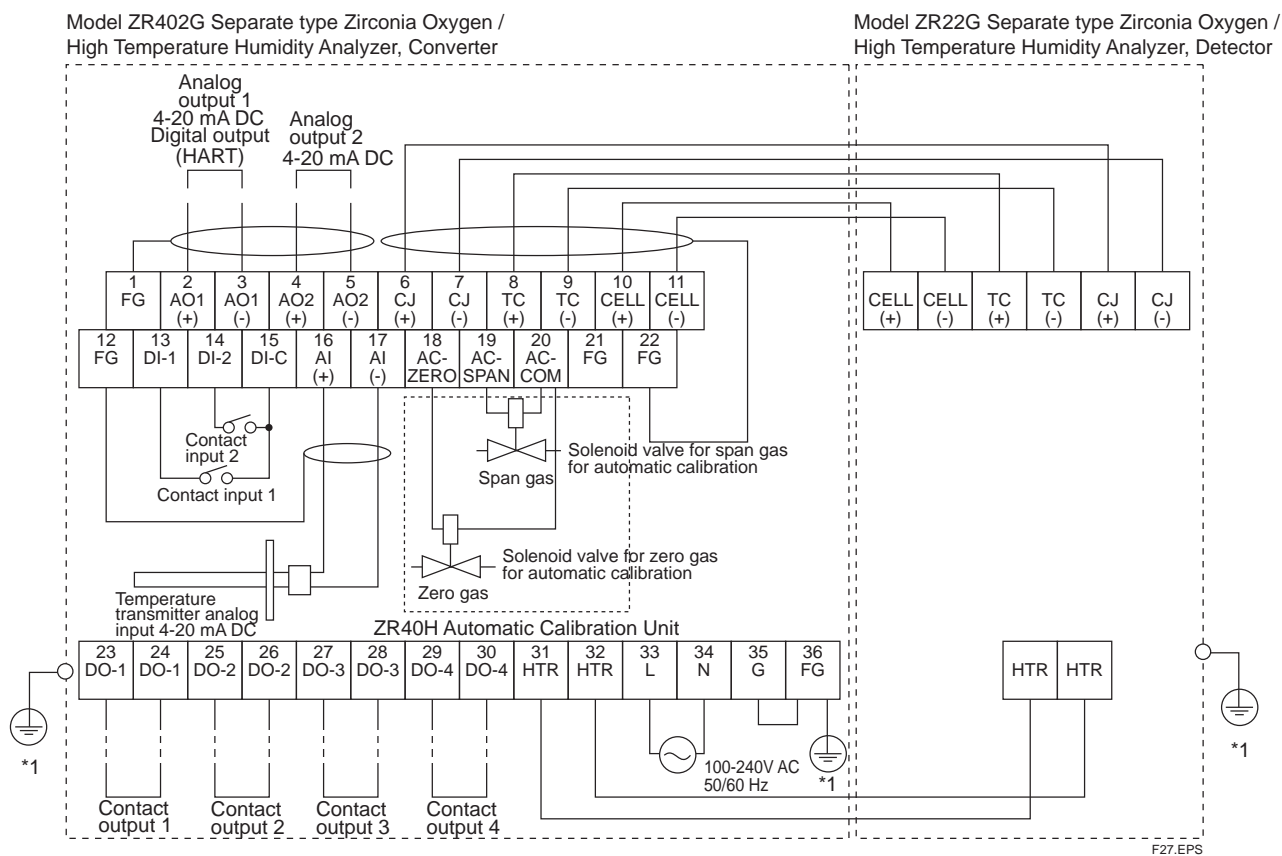
Unless otherwise specified, differences in the dimensions are specified as: General tolerance = \pm (Criteria of tolerance class IT18 in JIS B0401-1986) / 2.

□ Hood (Option/H)



Hood Material : Aluminum

Hood Weight : Approx. 900g



*1 Grand resistance is 100 ohm or less.

Unless otherwise specified, differences in the dimensions are specified as: General tolerance = ± (Criteria of tolerance class IT18 in JIS B0401-1986) / 2.