

Please use this manual change for the manuals listed below.

### 1. Applicable manuals and pages

IM No. and Edition	Page
IM 01C20B01-01E (9th)	Customer Maintenance Parts List (CMPL 01C20A01-01E) DPharp EJ Series Transmitter Section page 3
IM 01C20C01-01E (9th)	
IM 01C20D01-01E (9th)	
IM 01C20H01-01E (9th)	
IM 01C20J01-01E (9th)	
IM 01C20K01-01E (10th)	

### 2. Contents of Change

Item	Content																								
Changing Parts Number	<table border="0"> <tr> <td style="text-align: center;">32</td> <td style="text-align: center;">Below F9302BA</td> <td style="text-align: center;">1</td> <td style="text-align: center;">1</td> <td style="padding-left: 20px;">CPU Board Assembly For General Use Type and Flameproof Type.  (without output selection switch for CPU fault) For General Use Type and Flameproof Type. (with output selection switch for CPU fault, Option Code: /C1) For Intrinsically Safe Type (without output selection switch for CPU fault)</td> </tr> <tr> <td colspan="4" style="text-align: center;"></td> </tr> <tr> <td style="text-align: center;">32</td> <td style="text-align: center;">Below <u>F9302BE</u></td> <td style="text-align: center;">1</td> <td style="text-align: center;">1</td> <td style="padding-left: 20px;">CPU Board Assembly For General Use Type and Flameproof Type.  (without output selection switch for CPU fault) For General Use Type and Flameproof Type. (with output selection switch for CPU fault, Option Code: /C1) For Intrinsically Safe Type (without output selection switch for CPU fault)</td> </tr> <tr> <td></td> <td style="text-align: center;"><u>F9302BG</u></td> <td></td> <td></td> <td></td> </tr> <tr> <td></td> <td style="text-align: center;">F9302BS</td> <td></td> <td></td> <td></td> </tr> </table>	32	Below F9302BA	1	1	CPU Board Assembly For General Use Type and Flameproof Type.  (without output selection switch for CPU fault) For General Use Type and Flameproof Type. (with output selection switch for CPU fault, Option Code: /C1) For Intrinsically Safe Type (without output selection switch for CPU fault)					32	Below <u>F9302BE</u>	1	1	CPU Board Assembly For General Use Type and Flameproof Type.  (without output selection switch for CPU fault) For General Use Type and Flameproof Type. (with output selection switch for CPU fault, Option Code: /C1) For Intrinsically Safe Type (without output selection switch for CPU fault)		<u>F9302BG</u>					F9302BS			
	32	Below F9302BA	1	1	CPU Board Assembly For General Use Type and Flameproof Type.  (without output selection switch for CPU fault) For General Use Type and Flameproof Type. (with output selection switch for CPU fault, Option Code: /C1) For Intrinsically Safe Type (without output selection switch for CPU fault)																				
32	Below <u>F9302BE</u>	1	1	CPU Board Assembly For General Use Type and Flameproof Type.  (without output selection switch for CPU fault) For General Use Type and Flameproof Type. (with output selection switch for CPU fault, Option Code: /C1) For Intrinsically Safe Type (without output selection switch for CPU fault)																					
	<u>F9302BG</u>																								
	F9302BS																								

This Manual Change describes the note for the connecting the BT200 and the communication line requirements for BRAIN communication models.

Please use this Manual Change for the Instruction Manuals listed below.

### Applicable Instruction Manuals and Models

Document Number (Edition Number)	Product Model
IM 01C20B01-01E (9)	EJ110, EJ120, EJ130
IM 01C20C01-01E (9)	EJ210, EJ220
IM 01C20D01-01E (9)	EJ310, EJ430, EJ440
IM 01C20H01-01E (9)	EJ118W, EJ118N, EJ118Y
IM 01C20J01-01E (9)	EJ318W, EJ318N, EJ438W, EJ438N
IM 01C20K01-01E (10)	EJ115, EJ135
IM 01C21B01-01E (11)	EJA110A, EJA120A, EJA130A
IM 01C21C01-01E (11)	EJA210A, EJA220A
IM 01C21D01-01E (11)	EJA310A, EJA430A, EJA440A
IM 01C21F01-01E (8)	EJA510A, EJA530A
IM 01C22A01-01E (2)	EJA Series (Installation Manual)
IM 01C23B01-01E (6)	EJB110
IM 01C23D01-01E (6)	EJB430
IM 01C23H01-01E (6)	EJB118W, EJB118N, EJB118Y
IM 01C23J01-01E (6)	EJB438W, EJB438N
IM 01C23K01-01E (7)	EJB115
IM 01C50T03-01E (5)	YTA Series for BRAIN protocol

#### • Note for Connecting the BT200



### IMPORTANT

- Analog output may change temporally in connecting with BRAIN terminal due to an initial current flowed to it. To prevent communication signal affecting the upper system, it is recommended to install a low-pass filter (approximately 0.1s).
- Communication signal is superimposed on analog output signal. It is recommended to set a low-pass filter (approximately 0.1s) to the receiver in order to reduce the output effect from communication signal. Before online-communication, confirm that communication signal does not give effect on the upper system.

#### • Communication Line Requirements

[Protocol specification] Yokogawa original protocol

[Modulation] Burst modulation

0: 2400Hz

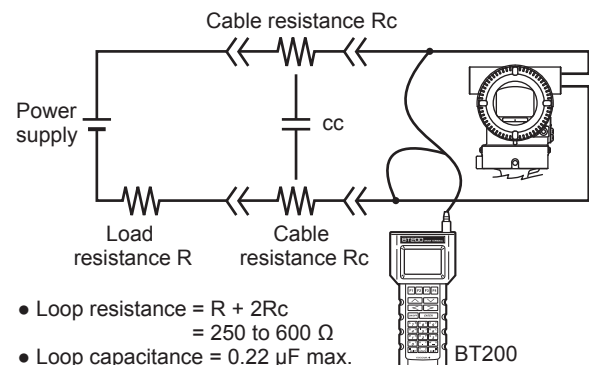
1: Signal without carrier

[Baud rate] 1200bps

[Communication signal]

host to device: +/- 0.5V (load resistance 250Ω)

device to host: +/- 2mA



- Loop resistance =  $R + 2Rc$   
= 250 to 600 Ω
- Loop capacitance = 0.22 μF max.

F0202.ai

Figure Communication Line Requirements

はじめに

本書は、中華人民共和国国内でのみ有効です。

Foreword

This manual is valid only in China.

产品中有害物质或元素的名称及含量

型号	部件名称	有害物质					
		铅 (Pb)	汞 (Hg)	镉 (Cd)	六价铬 (Cr(VI))	多溴联苯 (PBB)	多溴二苯醚 (PBDE)
EJ Series EJB Series 差压/压力变送器 P10 Series 气动差压/压力变送器	壳体	×	○	×	×	○	○
	膜盒组件	×	○	×	×	○	○
	基板组件	×	○	×	×	○	○
	电源连接线	×	○	×	×	○	○

○：表示该部件的所有均质材料中的有害物质的含量均在 GB/T26572 标准中所规定的限量以下。  
 ×：表示至少该部件的某些均质材料中的有害物质的含量均在 GB/T26572 标准中所规定的限量以上。

环保使用期限：



该标识适用于 SJ/T11364 中所述，在中华人民共和国销售的电子电气产品的环保使用期限。

注）该年数为“环保使用期限”，并非产品的质量保证期。