

Drawings

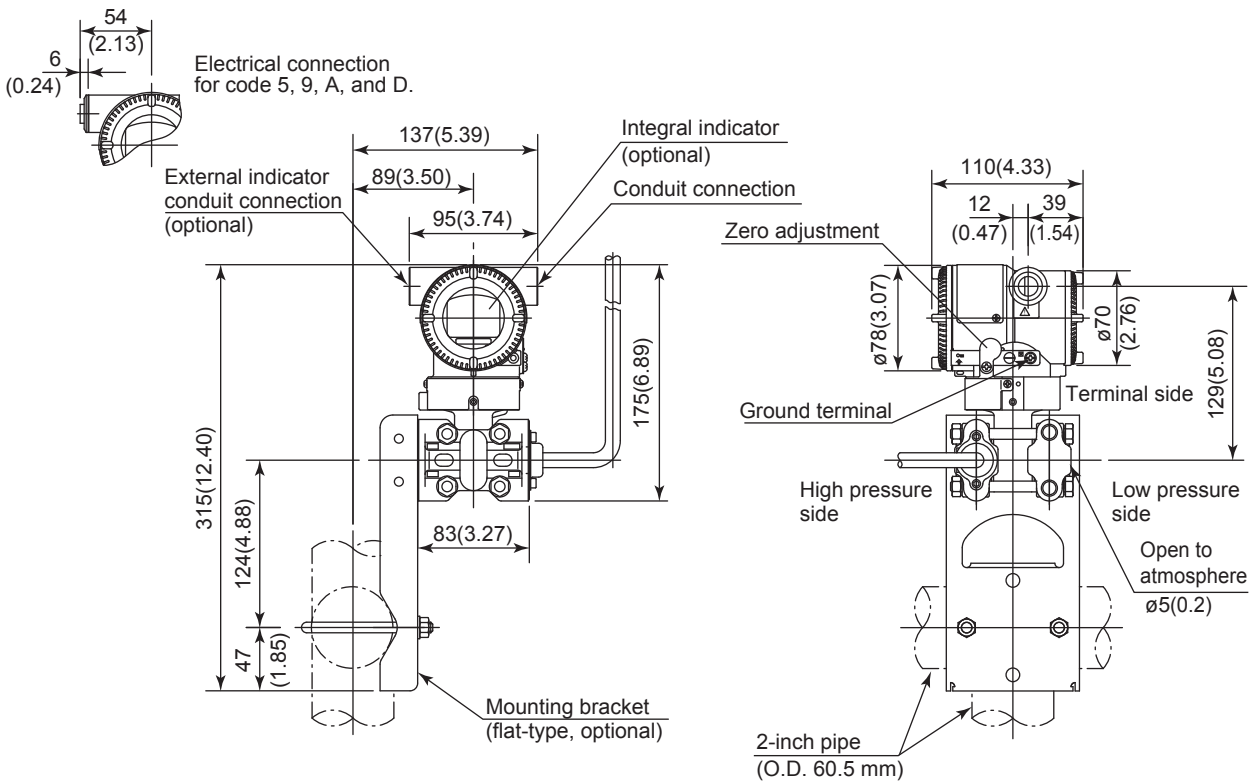
EJX438A
Diaphragm Sealed
Gauge Pressure Transmitter
(Transmitter body section)

DPharp **EJX**[®]

SD 01C25J03-01E

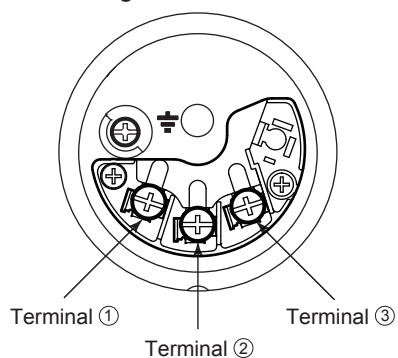
[Style: S2]

Unit: mm (approx. inch)



*1: When electrical connection code 7 or C is selected, a blind plug is protruded up to 8 mm from the conduit connection.

- Terminal Configuration



- Terminal Wiring

SUPPLY	+	①	Power supply and output terminals
	-	②	
CHECK	+	③	External indicator (ammeter) terminals*1*2
or	-	②	
ALARM	+	③	Status contact output terminals*2 (when /AL is specified)
	-	②	
			⏏ Ground terminal

*1: When using an external indicator or check meter, the internal resistance must be 10 Ω or less. A check meter or indicator cannot be connected when /AL option is specified.

*2: Not available for FOUNDATION Fieldbus and PROFIBUS PA communication types.