

Model 751538-J2 RACK MOUNTING KIT for FG400 (Dual-housing Rack, mm type)

1. Checking the Parts in the Kit

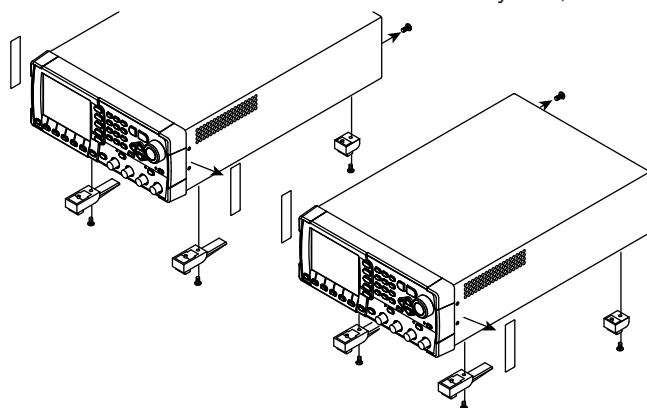
Confirm that all parts listed below are included in the kit. If any part is shorted or any abnormality is found in the appearance of the parts, contact our sales representative where you bought the instrument.

List of parts included in the kit.

left side bracket (1pc), right side bracket (1pc), bottom brackets (1pcs), rear bracket (1pc), upper bracket (1pc), flat-head screws (M3, 10 mm long) (9pcs), flat-head screws (M3, 6 mm long) (4pcs), binding-head screw (M4, 8 mm long) (2pcs)

2. Removing the Parts from the Instrument (per each set)

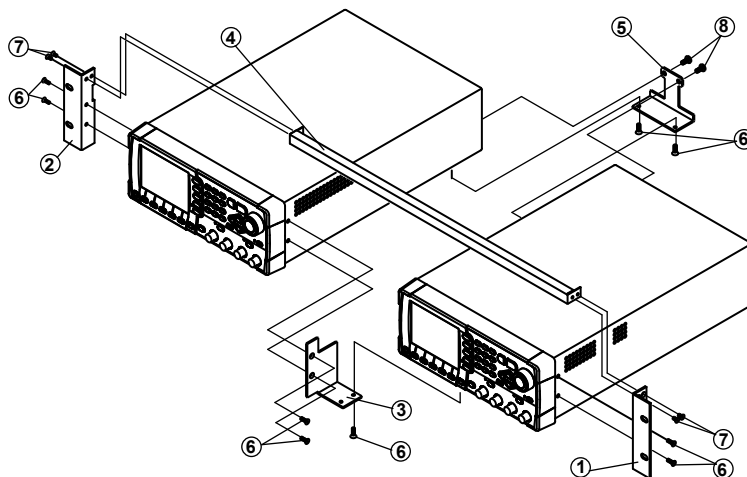
1. Remove the four feet.
2. Remove the two sealing labels.
3. When two instruments are installed side by side, remove the inner rear-panel cover screws.



3. Joining the Right and Left Instruments with Mounting Hardware

1. Using two other flat-head screws (M3, 10 mm long) (6), screw the right side bracket (1) to the right side of the instrument to be located on the right side of the rack.
Using two flat-head screws (M3, 10 mm long) (6), screw the left side bracket (2) to the left side of the instrument to be located on the left side of the rack.
2. Using two flat-head screws (M3, 10 mm long) (6), screw the bottom bracket (3) to the right side of the instrument to be located on the left side of the rack.
3. Using one flat-head screws (M3, 10 mm long) (6), screw the bottom bracket (3) to the bottom of the instrument to be located on the right side of the rack.
4. Screw the upper brackets (4) to the left and right side brackets with flat-head screws (M3, 6 mm long) (7).
5. Join both instruments at the rear by screwing the rear bracket (5) with the two flat-head screws (M3, 10 mm long) (6), and the two binding-head screws (M4, 8 mm long) (8).

Reference torque value: 0.6 to 0.7 N·m (M3 screw), 1.4 to 1.5 N·m (M4 screw)



4. Mounting the Joined Instruments to the Rack

Dimensions after mounting to the rack are illustrated below.
Be sure to place support beneath the rack.

