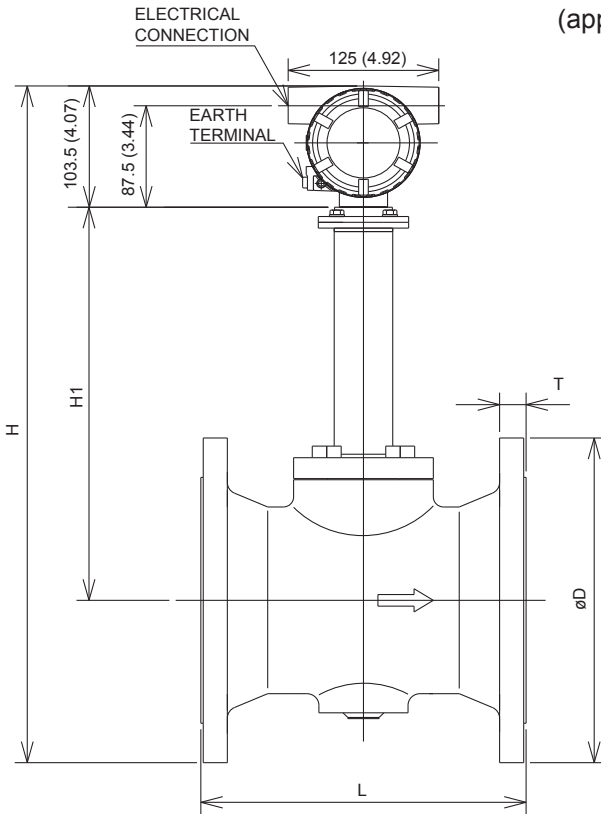
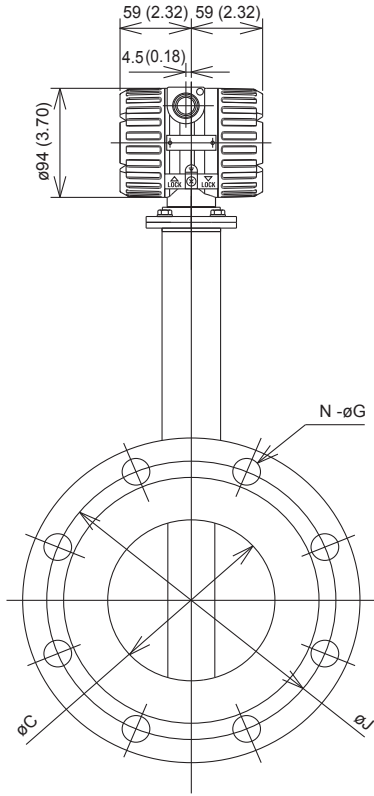


Drawings

digitalYEWFLO Series Vortex Flowmeter High Process Temperature Version (/HT)
Remote, Flange
[DY150, DY200, DY250, DY300, DY400]

SD 01F06A00-06EN



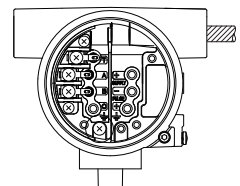
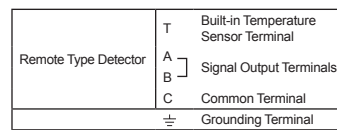
Unit : mm
(approx. inch)

| TYPE | REMOTE | | | | | | | | | | | | | | | | | | | | | | | | |
|--------------------|-------------------------|-------------|---------------|---------------|---------------|--------------|---------------|--------------|--------------|-------------|---------------|---------------|---------------|---------------|---------------|---------------|---------------|---------------|---------------|---------------|-------------|---------------|---------------|-------------|-----|
| | DY150/HT | | | | | | | | | | DY200/HT | | | | | | | | | | | | | | |
| MODEL CODE | | | | | | | | | | | | | | | | | | | | | | | | | |
| PROCESS CONNECTION | BJ1 | BJ2 | BJ4 | BA1 BS1 | BA2 BS2 | BA4 BS4 | BA5 BS5 | BD1 to FD1 | BD2 to FD2 | BD3 to FD3 | BD4 to FD4 | CA4 | CA5 | BJ1 | BJ2 | BA1 BS1 | BA2 BS2 | BA4 BS4 | BA5 BS5 | BD1 to FD1 | BD2 to FD2 | BD3 to FD3 | BD4 to FD4 | CA4 | CA5 |
| L | 270 (10.63) | | | | | | | | | | 310 (12.20) | | | | | | | | | | | | | | |
| C | 138.8 (5.46) | | | | | | | | | | 185.6 (7.31) | | | | | | | | | | | | | | |
| D | 280 (11.02) | 305 (12.01) | 355 (13.98) | 279.4 (11.00) | 317.5 (12.50) | 356 (14.02) | 381 (15.00) | 285 (11.22) | 300 (11.81) | 356 (14.02) | 381 (15.00) | 330 (12.99) | 350 (13.78) | 342.9 (13.50) | 381 (15.00) | 419.1 (16.50) | 469.9 (18.50) | 340 (13.39) | 340 (13.39) | 360 (14.17) | 375 (14.76) | 419.1 (16.50) | 469.9 (18.50) | | |
| H | Shedder Bar Material: X | 583 (22.95) | 595 (23.43) | 620 (24.41) | 582 (22.91) | 601 (23.66) | 621 (24.45) | 633 (24.92) | 585 (23.03) | 593 (23.35) | 621 (24.45) | 633 (24.92) | 640 (25.20) | 650 (25.59) | 646 (25.43) | 665 (26.18) | 684 (26.93) | 709 (27.91) | 645 (25.39) | 645 (25.39) | 655 (25.79) | 662 (26.06) | 684 (26.93) | 709 (27.91) | |
| | Shedder Bar Material: B | 589 (23.23) | 602 (23.70) | 627 (24.69) | 589 (23.19) | 608 (23.94) | 628 (24.72) | 640 (25.20) | 592 (23.31) | 600 (23.62) | 628 (24.72) | 640 (25.20) | 647 (25.47) | 657 (25.87) | 653 (25.71) | 672 (26.46) | 691 (27.20) | 716 (28.19) | 652 (25.67) | 652 (25.67) | 662 (26.06) | 669 (26.34) | 691 (27.20) | 716 (28.19) | |
| H1 | Shedder Bar Material: X | 339 (13.35) | | | | | | | | | | 371 (14.61) | | | | | | | | | | | | | |
| | Shedder Bar Material: B | 346 (13.62) | | | | | | | | | | 378 (14.88) | | | | | | | | | | | | | |
| T | 22 (0.87) | 28 (1.10) | 44 (1.73) | 25.4 (1.00) | 36.6 (1.44) | 54.4 (2.14) | 62 (2.44) | 22 (0.87) | 28 (1.10) | 55.7 (2.19) | 63.6 (2.50) | 22 (0.87) | 30 (1.18) | 28.4 (1.12) | 41.1 (1.62) | 62 (2.44) | 69.9 (2.75) | 24 (0.95) | 24 (0.95) | 30 (1.18) | 34 (1.34) | 63.6 (2.50) | 71.4 (2.81) | | |
| J | 240 (9.45) | 260 (10.24) | 295 (11.61) | 241.3 (9.50) | 269.7 (10.62) | 292 (11.50) | 317.5 (12.50) | 240 (9.45) | 250 (9.84) | 292 (11.50) | 317.5 (12.50) | 290 (11.42) | 305 (12.01) | 298.5 (11.75) | 330.2 (13.00) | 349.3 (13.75) | 393.7 (15.50) | 295 (11.61) | 295 (11.61) | 310 (12.20) | 320 (12.60) | 349.3 (13.75) | 393.7 (15.50) | | |
| N | 8 | 12 | 12 | 8 | 12 | 12 | 12 | 8 | 8 | 12 | 12 | 12 | 12 | 8 | 12 | 12 | 12 | 8 | 8 | 12 | 12 | 12 | 12 | 12 | |
| G | 23 (0.91) | 25 (0.98) | 33 (1.30) | 22.4 (0.88) | 22.4 (0.88) | 28.4 (1.12) | 31.8 (1.25) | 22 (0.87) | 26 (1.02) | 28.4 (1.12) | 31.8 (1.25) | 23 (0.91) | 25 (0.98) | 22.4 (0.88) | 25.4 (1.00) | 31.8 (1.25) | 38.1 (1.50) | 22 (0.87) | 22 (0.87) | 26 (1.02) | 30 (1.18) | 31.8 (1.25) | 38.1 (1.50) | | |
| WEIGHT kg (lb) | 33.4 (73.65) | 43.4 (95.7) | 76.4 (168.46) | 36.4 (80.26) | 54.4 (119.95) | 84.4 (186.1) | 106 (233.74) | 33.4 (73.65) | 42.9 (94.59) | 90 (198.45) | 107 (235.94) | 45.4 (100.11) | 52.4 (115.54) | 80.4 (177.28) | 136 (299.88) | 182 (401.31) | 46.3 (102.09) | 46.3 (102.09) | 53.6 (118.19) | 55.9 (123.26) | 139 (306.5) | 183 (403.52) | | | |

| TYPE | REMOTE | | | | | | | | | | | | | | | | | | | | | | |
|--------------------|---------------|-------------|---------------|---------------|---------------|--------------|---------------|---------------|---------------|-------------|---------------|--------------|-------------|---------------|---------------|---------------|---------------|-------------|-------------|-------------|-------------|---------------|---------------|
| | DY250/HT | | DY300/HT | | DY400/HT | | | | | | | | | | | | | | | | | | |
| MODEL CODE | | | | | | | | | | | | | | | | | | | | | | | |
| PROCESS CONNECTION | BJ1 | BJ2 | BA1 BS1 | BA2 BS2 | BJ1 | BJ2 | BA1 BS1 | BA2 BS2 | BJ1 | BJ2 | BA1 BS1 | BA2 BS2 | | | | | | | | | | | |
| L | 400 (15.75) | | | | | | | | | | | | | | | | | | | | | | |
| C | 276.2 (10.87) | | | | | | | | | | | | | | | | | | | | | | |
| D | 400 (15.75) | 430 (16.93) | 406.4 (16.00) | 444.5 (17.50) | 445 (17.52) | 480 (18.90) | 482.6 (19.00) | 520.7 (20.50) | 560 (22.05) | 605 (23.82) | 596.9 (23.5) | 647.7 (25.5) | | | | | | | | | | | |
| H | 355 (13.98) | 380 (14.96) | 362 (14.25) | 374 (15.25) | 400 (15.75) | 439 (16.93) | 439 (17.00) | 431.8 (17.75) | 450.9 (20.08) | 510 (20.08) | 540 (21.25) | 539.8 (22.5) | | | | | | | | | | | |
| | 416 (16.38) | 416 (16.38) | 446 (17.56) | 446 (17.56) | 446 (17.56) | 446 (17.56) | 446 (17.56) | 446 (17.56) | 446 (17.56) | 446 (17.56) | 446 (17.56) | 446 (17.56) | | | | | | | | | | | |
| T | 24 (0.94) | 34 (1.34) | 30.2 (1.19) | 47.8 (1.88) | 24 (0.94) | 36 (1.42) | 31.8 (1.25) | 50.8 (2.00) | 28 (1.10) | 46 (1.81) | 36.6 (1.44) | 57.2 (2.25) | | | | | | | | | | | |
| J | 240 (9.45) | 260 (10.24) | 295 (11.61) | 241.3 (9.50) | 269.7 (10.62) | 292 (11.50) | 317.5 (12.50) | 240 (9.45) | 250 (9.84) | 292 (11.50) | 317.5 (12.50) | 290 (11.42) | 305 (12.01) | 298.5 (11.75) | 330.2 (13.00) | 349.3 (13.75) | 393.7 (15.50) | 295 (11.61) | 295 (11.61) | 310 (12.20) | 320 (12.60) | 349.3 (13.75) | 393.7 (15.50) |
| N | 12 | 12 | 12 | 16 | 16 | 16 | 16 | 16 | 16 | 16 | 16 | 16 | 16 | 16 | 16 | 16 | 16 | 16 | 16 | 16 | 16 | 16 | 16 |
| G | 25 (0.98) | 27 (1.06) | 25.4 (0.98) | 28.5 (1.12) | 25 (0.98) | 27 (1.06) | 25.4 (0.98) | 31.8 (1.25) | 27 (1.06) | 33 (1.30) | 28.5 (1.12) | 35.1 (1.38) | | | | | | | | | | | |
| WEIGHT kg (lb) | 78 (171.99) | 100 (220.5) | 90 (198.45) | 125 (275.63) | 100 (220.5) | 128 (282.24) | 140 (308.7) | 178 (392.49) | 265 (584.2) | 308 (679) | 300 (661.4) | 370 (815.7) | | | | | | | | | | | |

(Note 1) The flow direction is opposite (right to left when facing onto indicator) in case of code/CRC.

Terminal Wiring



Remote type