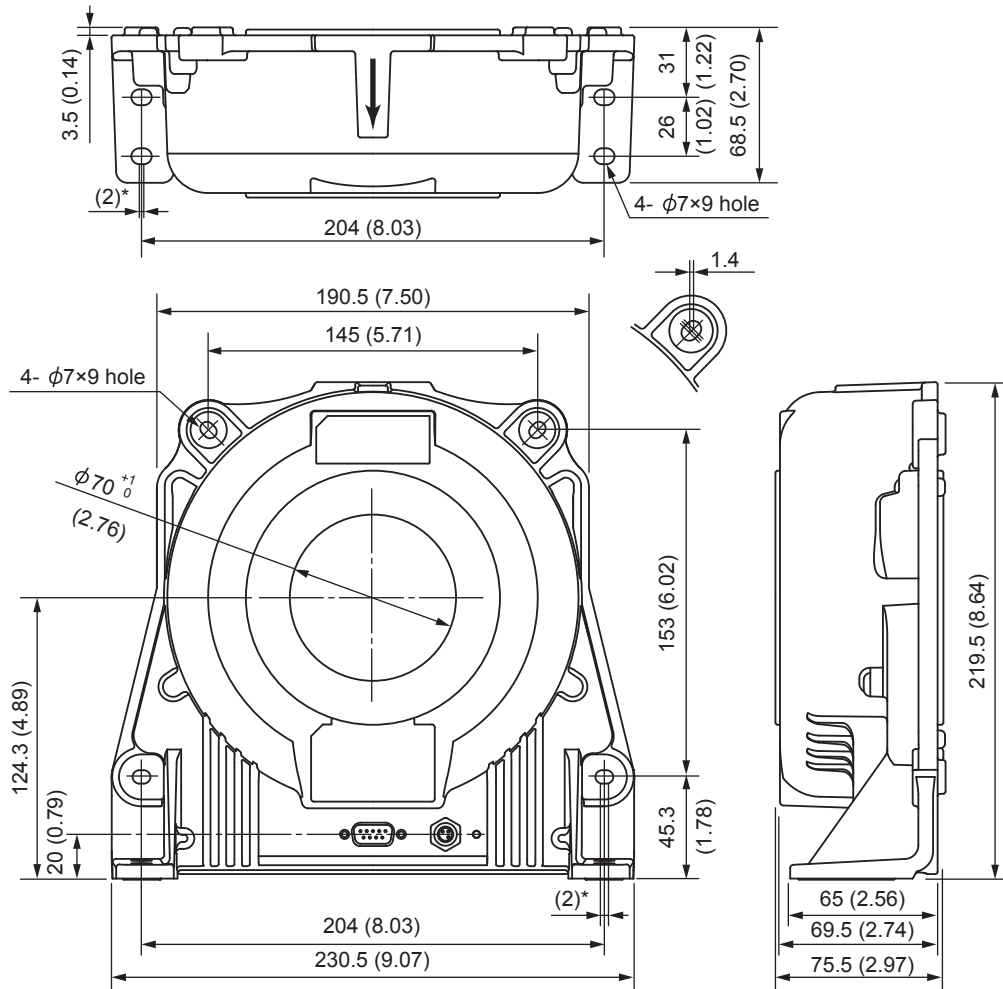


# Drawings

## CT2000A AC/DC Current Sensor

Unit: mm  
(approx. inch)



( ): Auxiliary (reference) dimension

Weight: approx. 4.2 kg

If not specified, the tolerance is  $\pm 3\%$ . However, in cases of less than 10 mm, the tolerance is  $\pm 0.3$  mm.