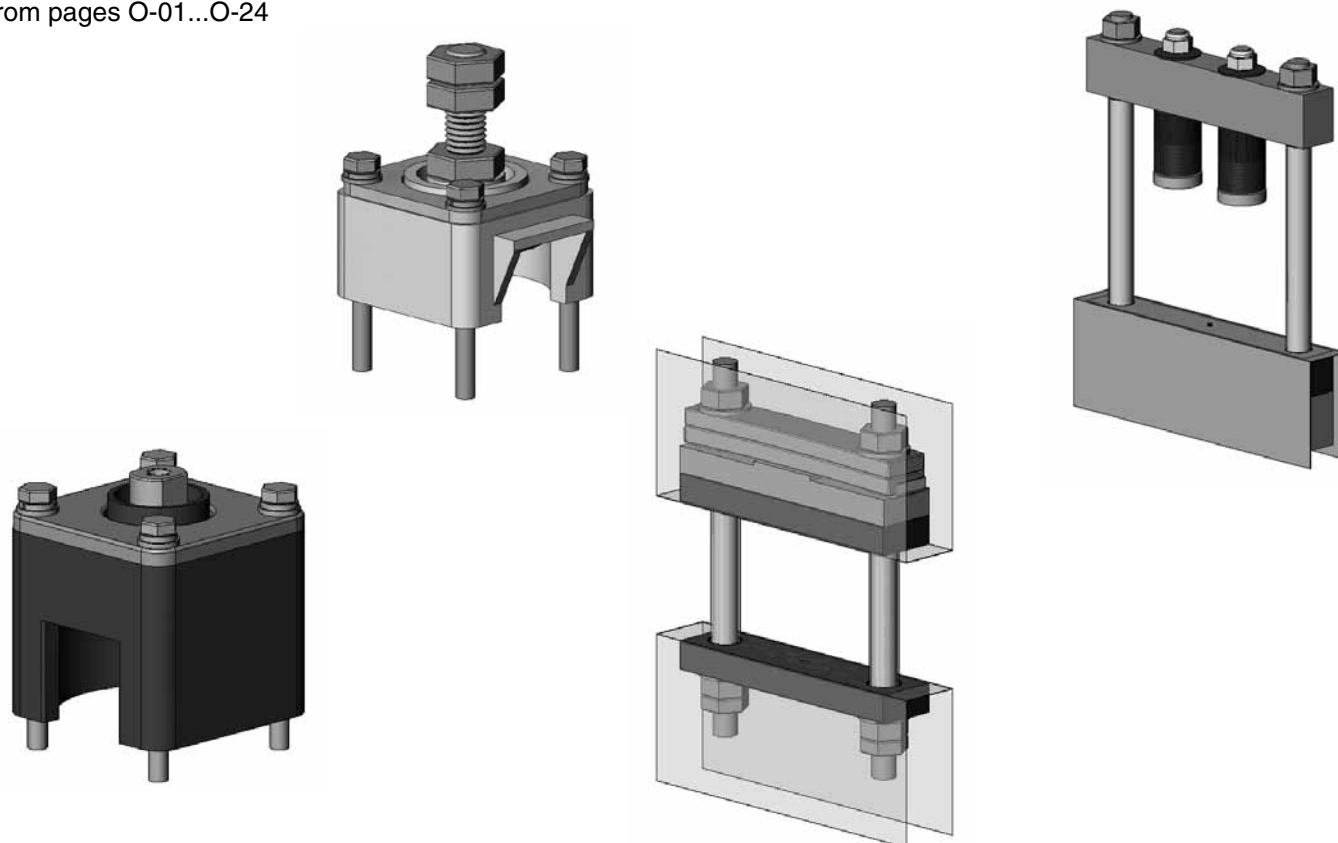


Bar Clamps

Type		Fixing Centres mm	Rod Size	Outline	Capsule Device			Fig. No.
New Part Number	Old Part Number				Mounting Surface Diameter mm	Nominal Thickness mm	T _j Max	
XK5000DA128M	CMK5000D128M	146	M16	GTO	75.0	26.0	190	WC40
XK5000DA128ML	CMK5000D128ML							
XK7000DA128M	CMK7000D128M	146	M16	Diode/Thyristor	75.0	26.6	190	WC41
XK7000DA128ML	CMK7000D128ML							
XK3060DA140ML	CMK3060D140ML	154	M12	Press-Pack IGBTs	85.1	26.0	125	WC43
XK3060SA140ML	CMK3060S140ML							WC42
XK9000SA160M	CMK9000S160M	180	M16	Thyristor	99.3	35.8	190	WC44
XK9000SA160ML	CMK9000S160ML							
XK9000DA160M	CMK9000D160M	TBA	TBA	TBA	TBA	TBA	190	WC45
XK9000DA160ML	CMK9000D160ML							
XK6120DA180ML	CMK6120D180ML	196	M16	Press-Pack IGBTs	125.0	26.0	125	WC46
XK6120SA180ML	CMK6120S180ML							WC47

Outline drawings are available from pages O-01...O-24



Box Clamps

New	Type		Moulded Box Style		Fixing Centres mm	Rod Size	Outline	Capsule Device			Fig. No..
	New Part Number	Old Part Number	Injection	Compression				Mounting Surface Ø mm	Nominal Thckn. mm	T _j Max	
	XK0450BA019M	CMK450B19M	yes	-	50 PCD	M5x50 Bolts	DO-200AA/TO-200AB	19.0	13.8		WC48
	XK0450BB019M	CMK450B19M	-	yes							
	XK0450BA025M	CMK450B25M	yes	-	50 PCD	M5x50 Bolts	DO-200AA/TO-200AB	25.1	14.6		WC49
	XK0450BB025M	CMK450B25M	-	yes							
>	XK1500BA034M	CMK1500B34M	yes	-	70 PCD	M6x50 Bolts	DO-200AB/TO-200AC	34.0	26.2		WC50

Note: 1Kgf = 9.8 Newtons