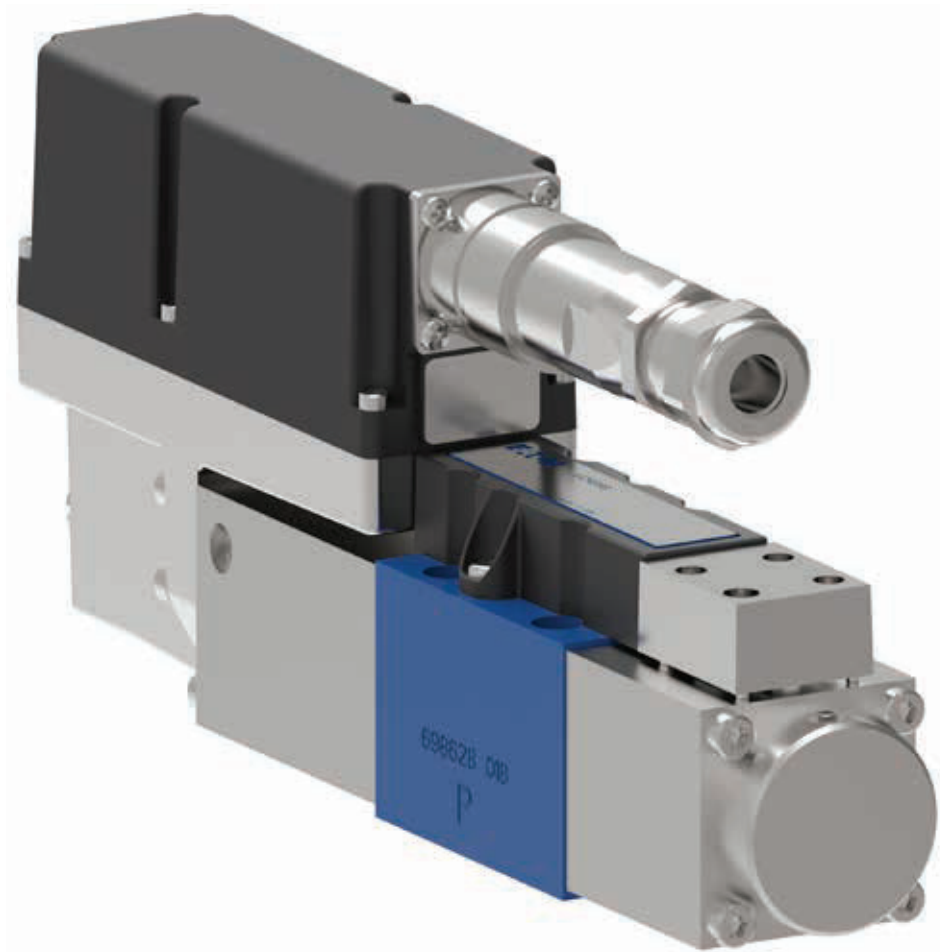


Proportional Directional Valves with Feedback



Content

INTRODUCTION	
Typical section view	03
Model code	04
Spool data	05
Functional symbols	05
OPERATING DATA	
Valves with amplifier, KBFD/TG4V-3	06
Valves without amplifier, KFD/TG4V-3	07
KBFD/TG4V-3 & KFD/TG4V-3	07
Pressure and flow rates	07
PERFORMANCE CURVES	
Power capacity envelopes, single solenoid models	08
Power capacity envelopes, double solenoid models	08
Flow gain curves	09
Frequency response	09
INSTALLATION DIMENSIONS	
KFDG4V-3	10
KFTG4V-3	10
KBFDG4V-3	11
KBFTG4V-3	11
SUBPLATES AND MOUNTING SURFACES	
Mounting surface interface to ISO 4401 (size 03)	12
ELECTRICAL INFORMATION	
Block diagram voltage input (M1)	13
Block diagram current input (M2)	14
Wiring connection voltage input (M1)	15
Wiring connections current input (M2)	16
APPLICATION DATA	



This product has been designed and tested to meet specific standards outlined in the European Electromagnetic Compatibility Directive (EMC) 2014/30/EU which repealed Directive 89/336/EEC, amended by Directives 91/263/EEC, 92/31/EEC, 93/68/EEC and 93/97/EEC. For instructions on installation requirements to achieve effective protection levels, see the leaflet and Installation Wiring Practices for Danfoss's Electronic Products leaflet 2468. Wiring practices relevant to this Directive are indicated by Δ Electromagnetic Compatibility (EMC).

Danfoss® K(B)FD/ TG4V proportional valves are designed to provide a controlled oil flow in direct proportion to a command signal. They are available in two types; a double solenoid version that will provide reversible flow to an actuator and a single solenoid throttle version that provides a single direction of flow. Hydrostats are available for load compensation and parallel flow path modules are available that will boost the flow capacity of single solenoid throttle versions to nearly twice that of the standard valve. Additionally, both of these valve types can be supplied with or without an integral amplifier built directly onto the valve.

KFD/TG4V-3

This version is supplied without the integral amplifier.

Features and benefits

- Wide range of spool and flow rate options
- Electronic feedback LVDT ensures accurate spool position control
- Vibration and shock tested
- Supported by a broad range of amplifiers and auxiliary function modules Full CE electromagnetic compatibility

KBFD/TG4V-3 A

Range of proportional directional and throttle valves with integral control electronics . Factory-set adjustments of gain, spool deadband compensation and offset ensure consistent repeatability valve-to-valve .

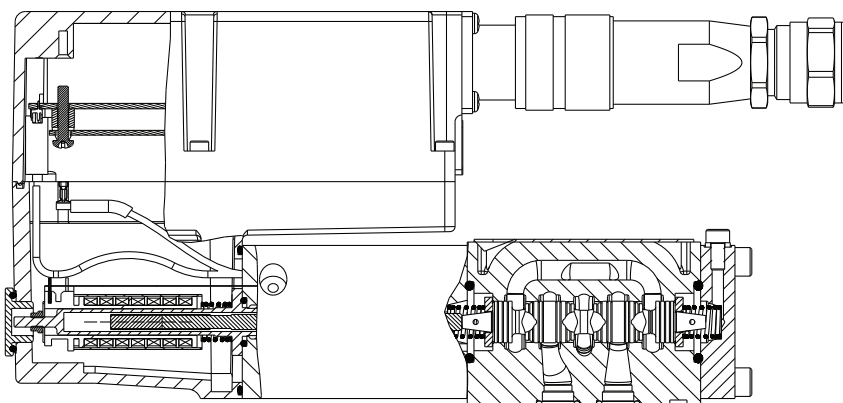
The only electrical inputs required are power supply (24V) and a voltage command signal of $\pm 10V$ or 4-20 mA. The amplifier is housed in a robust metal enclosure, sealed against ingress of water and other fluids. Electrical connections are via a standard 7-pin plug.

A spool position monitor pin allows the function of the valve to be electrically monitored . Ramp functions, if required, can be generated externally .

Features and benefits

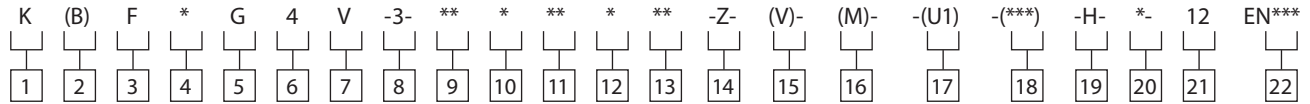
- Factory-sealed adjustments ensure valve to valve reproducibility
- Installation wiring reduced and simplified
- Standard 7-pin connector
- Standard 24V DC supply with wide tolerance band
- Optional $\pm 10V$ DC or 4-20 mA command signals
- Valve with integrated amplifier selected, ordered, delivered and installed as one performance- tested package
- Spool position monitor pin to help with troubleshooting
- Simple valve removal and replacement for service (plug and play)
- Vibration and shock tested
- Auxiliary DIN rail mounted electronic function modules available
- Full CE electromagnetic compatibility . - 2014/30/EU
- IP65 and IP67 valve environmental protection rating
- Optional valve enable function

Typical section view



KBFD/TG4V-3-*PE7, 1* Design

Model codes



1	Valve type	K	Proportional valve	13 14	Flow rating ("B" port flow for asymmetric spools) K(B)FDG valves only	10 L/min (2.64 USgpm) (20N10 only) Omit for symmetrical spools
2	Integral amplifier	B	Integral amplifier "B" series . Omit for models without integral amplifier		Manual overrides	
3	Feedback arrangement	F	Spool position		Z	No manual overrides
4	Control type	D	Directional valve	15	Solenoids energization identity	(Non-integral amplifier types KF only, omit for valves with integral amplifier)
		T	Throttle valve		V	Solenoid "A" is at port "A" end and Solenoid "B" is at port "B" end independent of spool type
5	Mounting	G	Subplate mounted			Blank US ANSI B93 .9 standard (energize solenoid "A", flow symbol is (P>A))
6	Operation	4	Solenoid operation	16	Command input	
7	Pressure rating	V	350 bar (5000 psi) on ports P, A & B		M	Electrical feature flag (KF only)
8	Interface	3			M1	+/-10V command and +/-10V feedback
					M2	4-20mA command and +/-10V feedback
					M3	+/-10V command and 4-20mA feedback
					M4	4-20mA command and 4-20mA feedback
9 10	2C - All ports closed at center, KBD			17	Solenoid connector	Omit for valves with integral amplifier KBF
11 12	2C03F	3 L/min symmetric, fine meter in/fine meter out			U1	ISO 4400/DIN 43650, non-integral amplifier type KF only (mating plug supplied)
	2C07N	7 L/min symmetric, meter in/ meter out		18	Electrical connection (KBF valves only)	
	2C13N	13 L/min symmetric, meter in/ meter out			PE7	7-pin electrical plug with mating half
	2C20N	20 L/min symmetric, meter in/ meter out			PH7	As PE7 but with pin "C" used for enable signal
	2C20N10	20 L/min /10 L/min , meter in/ meter out		19	Coil rating	
	2C28S	28 L/min symmetric, meter out only			H	24 VDC amplifier supply
	2C30N	30 L/min symmetric, meter in/ meter out		20	Port T pressure limit code	
	33C – P closed at center, A,B,T connected, KBD				6	For 2C**S spools
	33C03F	3 L/min symmetric, fine meter in/fine meter out			7	For all other spools
	33C07N	7 L/min symmetric, meter in/ meter out		21	Design number 1* & 2* series	Subject to change
	33C08N04	9 L/min /4 L/min , meter in/ meter out			22	EN090 Resin filled,20G
	33C13N	13 L/min symmetric, meter in/ meter out			EN119	Polyurethane interface seals
	33C20N	20 L/min symmetric, meter in/ meter out				
	33C20N10	20 L/min /10 L/min , meter in/ meter out				
	33C27N	27 L/min symmetric, meter in/ meter out				
	5C – zero lap					
	5C20N	20 L/min symmetric, meter in/ meter out				
	5C30N	30 L/min symmetric, meter in/ meter out				
	31C – A and P closed at center, B connected to T, KBD					
	31C13N	13 L/min symmetric, meter in/ meter out				
	31C20N	20 L/min symmetric, meter in/ meter out				
	2B single solenoid throttle valves, KBT					
	2B03F	3 L/min symmetric, fine meter in/fine meter out				
	2B07N	7 L/min symmetric, meter in/ meter out				
	2B13N	13 L/min symmetric, meter in/ meter out				
	2B20N	20 L/min symmetric, meter in/ meter out				
	2B27N	27 L/min symmetric, meter in/ meter out				
	2B30N	30 L/min symmetric, meter in/ meter out				

Note : Additional configurations available upon request . Please contact you customer sales representative for details .

All dimensions are in inches .



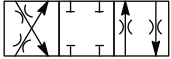
WARNING

Valves with integral amplifier are supplied with or without the metal 7-pin plug. The Danfoss plug, part no. 934939, must be correctly fitted to ensure that the EMC rating and IP67 rating are achieved. The plug retaining nut must be tightened with a torque of 2-2.5 Nm (1.5-2.0 lbf ft) to effect a proper a proper seal)

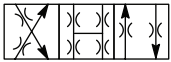
Spool symbols

Available spools for K(B)FDG4V-3

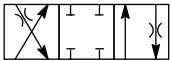
Spool type 2C**N, meter-in/meter-out



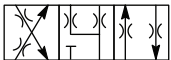
Spool type 5C**N, meter-in/meter-out (zero lap)



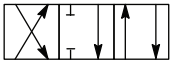
Spool type 2C28S, meter-out only



Spool 33C**N, meter-in/ meter-out



Spool type 31C**N, meter-in / meter out

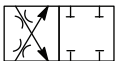


Asymmetric spools

Figure preceding metering type designator, "N" (e.g. 2C***N) is flow rating P-A, or A-T ("A" port flow); figure after "N" (N***) is flow rating P-B, or B-T ("B" port flow).

Available spools for K(B)FTG4V-3

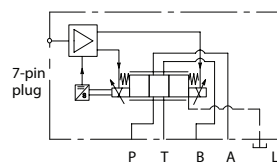
Spool type 2B**N, meter-in/meter-out



Functional symbols

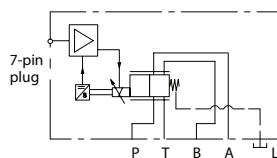
Model types KBFDG4V-3

Proportional directional valve (with integrated electronics)



Model types KBFTG4V-3

Proportional throttle valve (with integrated electronics)



Spool type and flow rating

Symmetric spools

Base line starting at $\Delta p = 5$ bar (75 psi) per metering flow pat, e.g. B to T. For actual maximum flow refer to power capacity envelope curves.

For K(B)FDG4V-3 valves

Spool code	Spool symbol	Flow rating
2C03F	2C	3 L/min (0.79 USgpm)
2C07N	2C	7 L/min (1.85 USgpm)
2C13N	2C	13 L/min (3.43 USgpm)
2C20N	2C	20 L/min (5.28 USgpm)
2C30N	2C	30 L/min (7.92 USgpm)
2C28S	2C	28 L/min (7.40 USgpm)
33C03F	33C	3 L/min (0.79 USgpm)
33C07N	33C	7 L/min (1.85 USgpm)
33C13N	33C	13 L/min (3.43 USgpm)
33C20N	33C	20 L/min (5.28 USgpm)
33C27N	33C	27 L/min (7.13 USgpm)
5C20N	5C	20 L/min (5.28 USgpm)
5C30N	5C	30 L/min (7.92 USgpm)

For K(B)FTG4V-3 valves

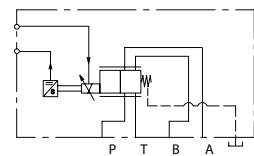
Spool code	Spool symbol	Flow rating
2B03F	2B	03 L/min (0.79 USgpm)
2B07N	2B	07 L/min (1.85 USgpm)
2B13N	2B	13 L/min (3.43 USgpm)
2B20N	2B	20 L/min (5.28 USgpm)
2B27N	2B	27 L/min (7.13 USgpm)
2B30N	2B	30 L/min (7.92 USgpm)

For K(B)FDG4V-3 valves

Spool code	Spool symbol	Flow rating
2C20N10	2C	20 L/min (5.28 USgpm), "A" port flow 10 L/min (2.64 USgpm), "B" port flow
33C20N10	33C	20 L/min (5.28 USgpm), "A" port flow 10 L/min (2.64 USgpm), "B" port flow
33C08N04	33C	08 L/min (2.11 USgpm), "A" port flow 04 L/min (1.06 USgpm), "B" port flow

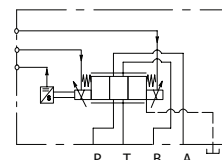
Model types KFDG4V-3

Proportional directional valve (requires amplifier card)



Model types KFTG4V-3

Proportional throttle valve (requires amplifier card)

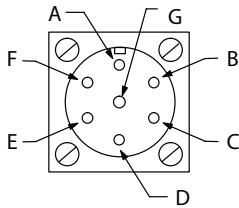


Operating data

K(B)FD/TG4V-3 valves with amplifier

KBFD/TG4V-3 valves with Integral amplifier

Data is typical with fluid at 36 cSt (168 SUS) and 50° C (122° F).

Power supply	24V DC (18 V to 36V including 10% peak-to-peak max. ripple) max current 3A
Command signal	
Voltage mode M1	0 to +10V DC, or 0 to -10V DC, or -10V to +10V DC
• Input impedance	47K Ohm
• Common mode voltage to pin B	18V (max)
Current mode M2	4-20 mA
• Input impedance	100 Ω
• Max differential voltage to pin E to pin D	10V
Valve enable signal for model codes PH7	
Enable	>8.5V (36V max)
Disable	<6.5 V
Input impedance	10K Ohm
7-pin plug connector	Pin Description
View of pins of fixed half	A Power supply positive (+)
	B Power Supply 0V
	C Not connected (PE7)
	C Valve enable (PH7)
	D Command signal (+V or current IN)
	E Command signal (-V or current GND)
	F Output monitor
	G Protective ground
Electromagnetic compatibility (EMC)	
	Conducted Emissions CISPR11 -2015-06 Ed 6.0/EN55011 - Class A, 150kHz to 30MHz
	Radiated Emissions CISPR11 -2015-06 Ed 6.0 /EN55011 - Class A, 30MHz – 1GHz
	RF Continuous Conducted disturbances IEC 61000-4-6, Class A 150 KHz to 80 MHz
	• DC Power Port : 10Vrms
	• Signal/Control Port : 10Vrms
	RF Electromagnetic Field, 80 MHz to 2700 MHz, 10V/m, Meets Criterion A
	Surge: IEC 61000-4-5
	• DC Power Port : ±1kV
	• Signal/Control Port : ±1kV
	Electrical Fast Transients IEC 61000-4-4, Class B
	• DC Power Port : ±2kV
	• Signal/Control Port : ±1kV
	Electrostatic discharges (ESD) IEC 61000-4-2, Class B
	• Air ±8kV,
	• Contact ±4kV
Threshold command voltage (minimum voltage for minimum flow)	0.25V
Monitor signal (pin F)	
KBFD valves	± 10V DC for full spool stroke
KBFT valves	0 to -10 V DC for full spool stroke
Voltage mode	+/- 10V DC for full stroke
Output impedance	10KOhm
Current mode	4mA to 20mA
Output impedance	Upto 200 Ohm
Power stage PWM frequency	10 kHz nominal
Electronic amplifier is compliant to 2011/65/EU ROHS2	
Step input response with flow through P-A-B-T Δ p=5 bar (75 psi) per metering path, e.g. P-A	
Required flow step:	Time to reach 90% of required step:
0 – 100%	17 ms
100% – 0	16 ms
+90 – -90% (KBFDG4V-3 only)	25 ms
Reproducibility, valve-to-valve (at factory settings):	
Flow at 100% command signal	≤ 5%

Protection	
Electrical	Reverse polarity protected
Environmental	IEC 60529, Class IP65 and IP67
ROHS compliance	Electronic amplifier is compliant to 2011/65/EU ROHS2
Ambient air temperature range for full performance	-40°C to +85°C (-40°F to 185°F)
Oil temperature range for full performance	0° C to 70° C (32° F to 158° F)
Minimum temperature at which valves will work at reduced performance	-40°C (-40°F)
Storage temperature range	-40°C to +85°C (-40°F to 185°F)
Supporting products auxiliary electronic modules (DIN -rail mounting):	
EHD-DSG-201-A-1* command signal generator	See catalog GB 2470
EHA-RMP-201-A-2* Ramp generator	See catalog GB 2410A
EHA-PID-201-A-2* PID controller	See catalog GB 2427
EHA-PSU-201-A-10 Power supply	See catalog GB 2410A

KFD/TG4V-3 valves without amplifier

KFD/TG4V-3 Valves without Integral amplifier (requires a Eurocard Amplifier, refer to supporting products)

Data is typical with fluid at 36 cSt (168 SUS) and 50° C (122° F).

Max current, at 50° C (122° F)	2.7 A
Coil resistance, at 20° C (68° F)	1.87 Ω
Step response	
Step size (% of max spool stroke)	Time to reach 90% of required step:
0 – 100%	18 ms
100% – 0	19 ms
+90 – -90% (KBFDG4V3-3 only)	30 ms
Type of protection, with electrical plugs fitted correctly	IEC60529, Class IP65
Electromagnetic compatibility (EMC)	
Emmision (10V/m)	EN 50081-2
Immunity (10V/m)	EN 50082-2
Maximum allowable ambient air temperature	60° C (140° F)
Maximum allowable oil temperature	60° C (140° F)
Supporting products:	
Eurocard amplifiers - EEA PAM 533 A/B/C/D/E/F	See catalog GB-2464

KFD/TG4V-3 and KBFD/4V-3 valves (all valves)

Relative duty factor	Continuous rating (ED = 100%)
Hysteresis with flow through P–A–B–T	<1% of max stroke (center-to-offset)
Mass:	
KFDG4V-3	2.7 kg (5.9 lb) approx.
KBFDG4V-3	3.1 kg (6.8 lb) approx.
KFTG4V-3	2.1 kg (4.6 lb) approx.
KBFTG4V-3	2.5 kg (5.5 lb) approx.

Pressure and flow rates

Maximum pressures, bar (psi)

Model	Port L condition	Ports P, A, B	T	L
All models for normal usage (L port not connected) 105 (1500)	Normally blocked by mounting surface	315 (4500)	160 (2300) 350 (5000)	160 (2300) 105 (1500)
For K(B)FDG4V-3**C**N/F-Z models only a higher "T" port pressure is allowed if the "L" port is connected directly to tank.	Drained directly to tank	350 (5000)	210 (3000)	10 (150)

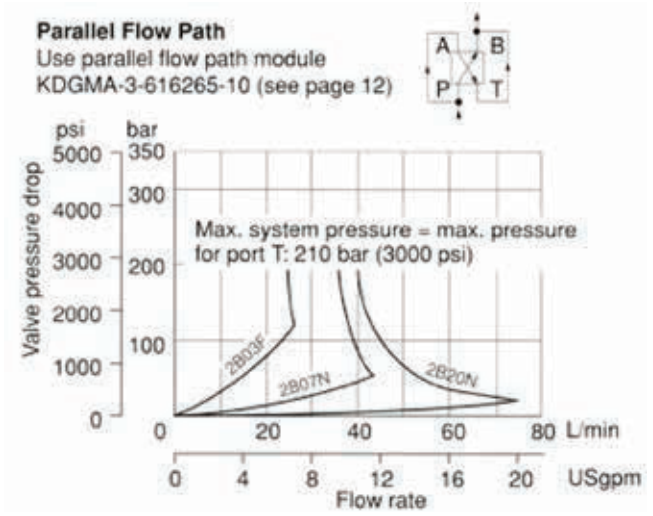
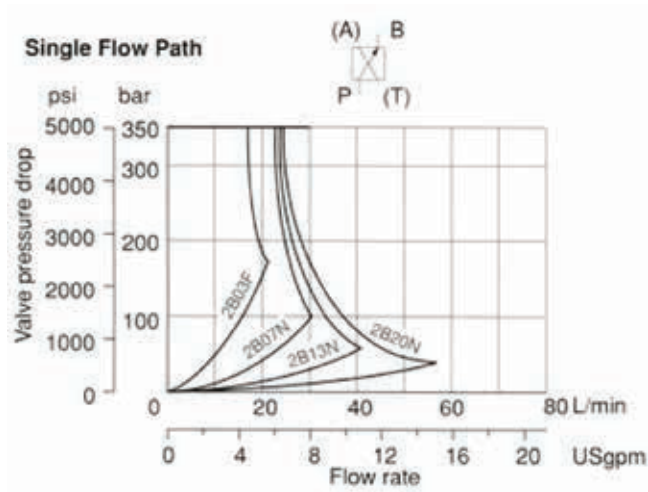
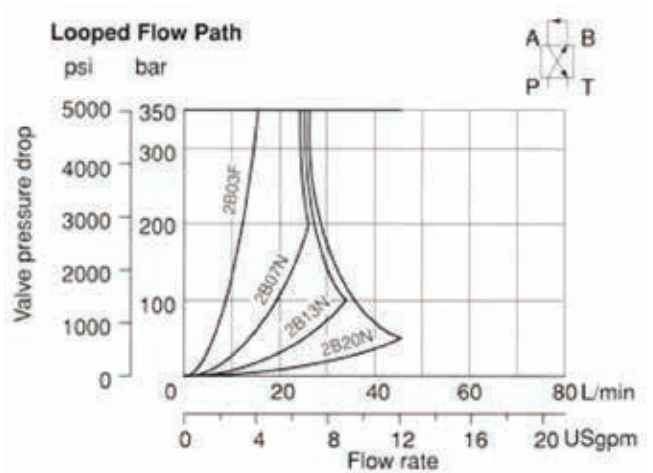
Performance curves

Power capacity envelopes

Single solenoid models:

K(B)FTG4V-3

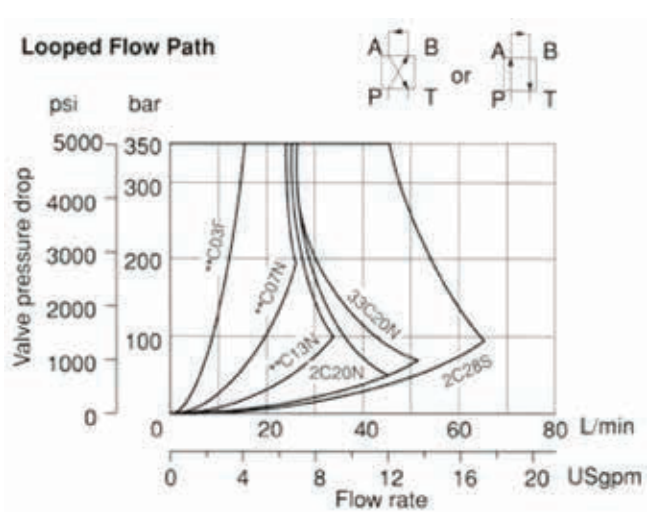
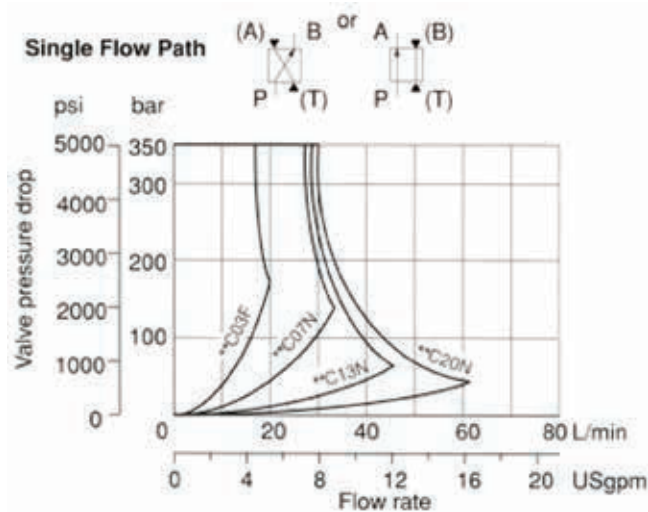
Spool types as noted



Double solenoid models:

K(B)FDG4V-3

Spool types as noted



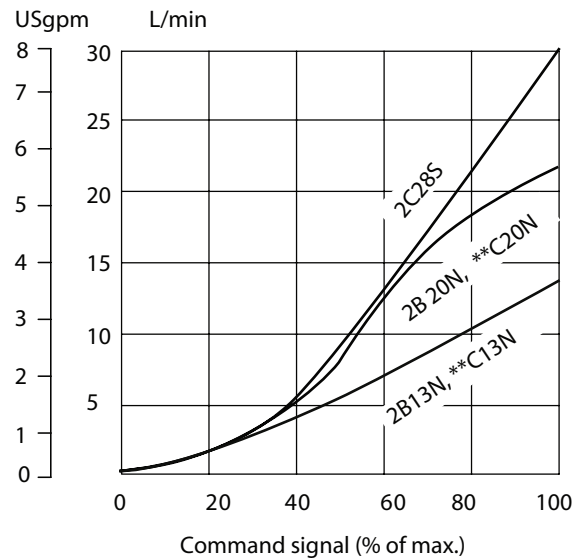
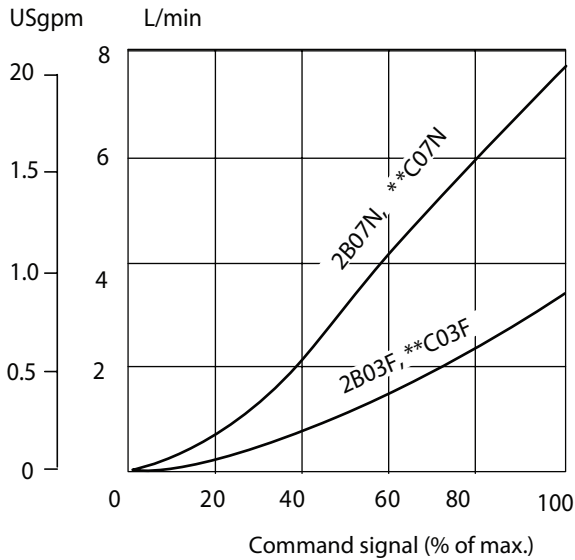
Performance curves

Flow gain curves

When using the single solenoid throttle valves version (K*FT) a parallel flowpath module can be used to approximately double the flow rate.

KBF valves are preset at the factory to compensate for the effect of spool overlap. Curves shown include deadband compensation provided for the KF valve by Danfoss's Danfoss Eurocard Amplifier EEA-PAM-533-*32 (user adjustable).

K(B)FD/TG4V-3
Spool types as noted



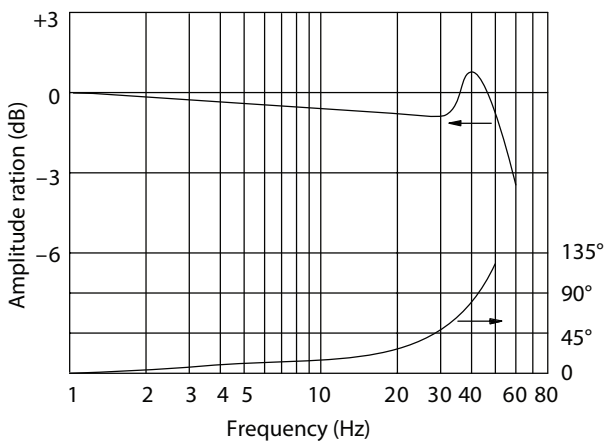
Single flowpath (e.g. P-A) pressure drop, $\Delta p = 5$ bar (72 psi)

■ At other Δp values and within the power capacity envelopes, flow rates approximate to:

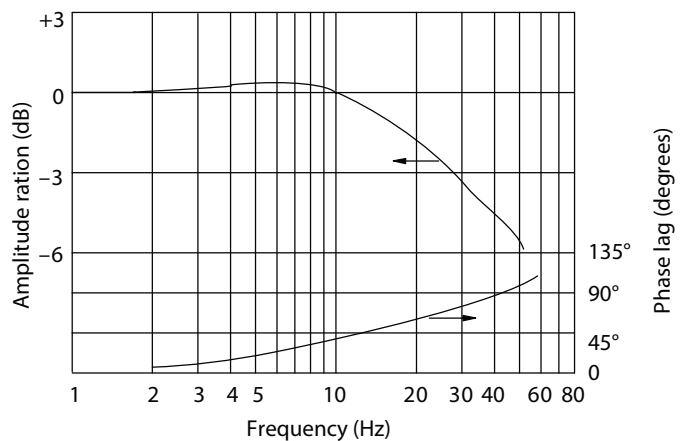
Frequency response (typical)

For an amplitude of $\pm 25\%$ max. flow about the 50% flow, at Δp (P-B) = 5 bar (72 psi)

KBFD/TG4V-3



KFD/TG4V-3



Installation dimensions

KFDTG4V-3 / KFTG4V-3

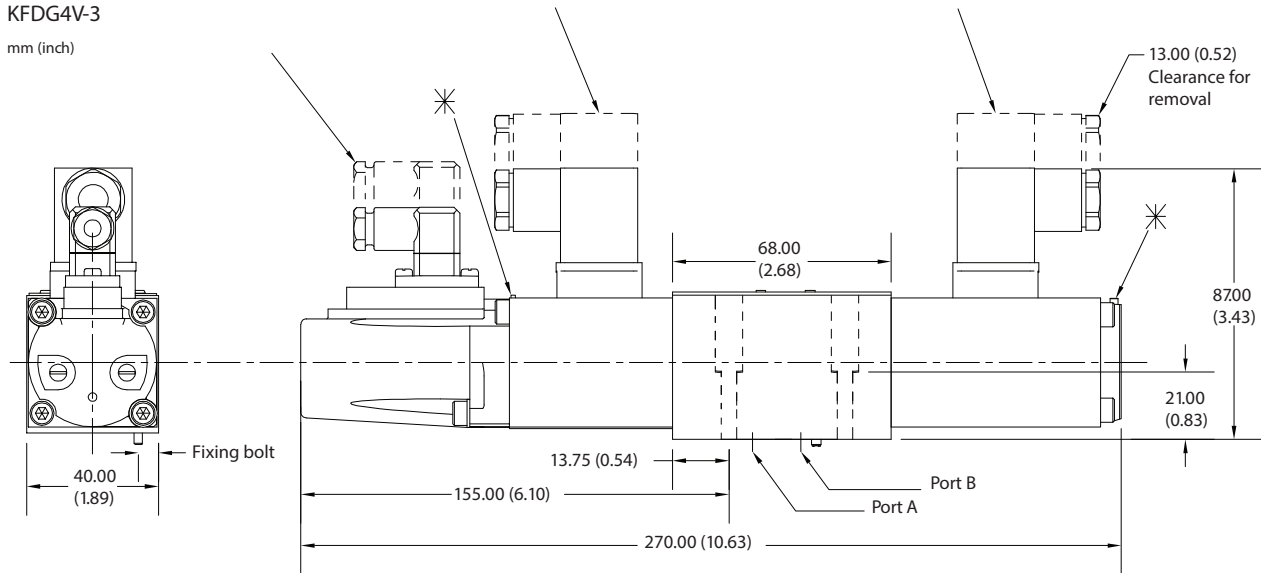
Spool types as noted

Solenoid plug (ISO 4400/DIN 43650); gray, marked A, for V models, or black, marked B, for non-V models; see 15 in "Model Code"

Solenoid plug (ISO 4400/DIN 43650); black, marked B, for V models, or gray, marked A, for non-V models; see 15 in "Model Code"

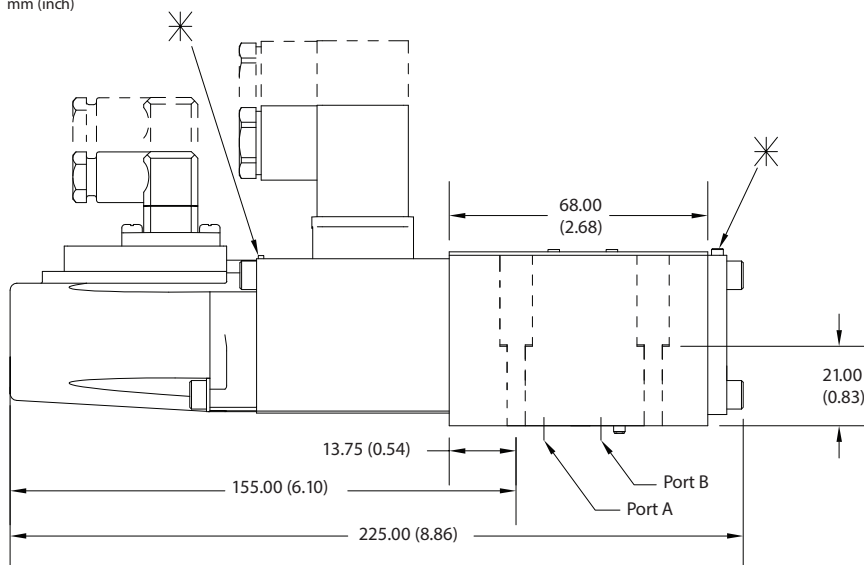
KFDG4V-3

mm (inch)



KFTG4V-3

mm (inch)



▲ Mounting surface seals supplied

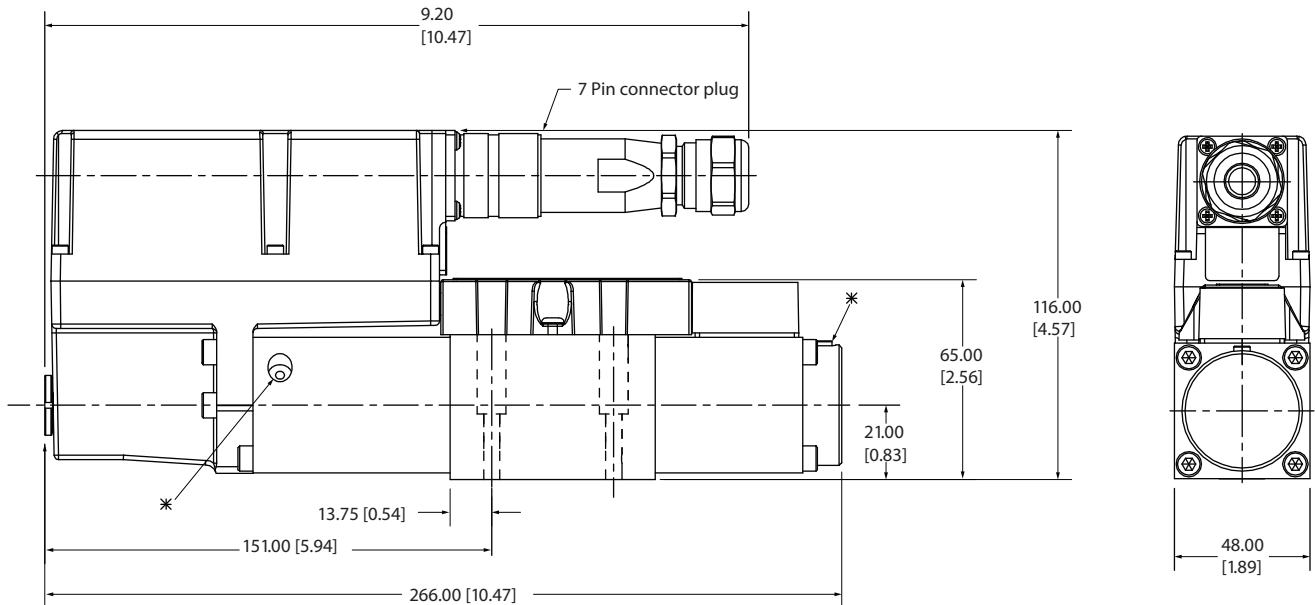
Note : For optimum valve operation, bleed the air from the proportional solenoids at initial start-up . This may be done as follows:

- The valve may be pressurized by removing the bleed screws until no bubbles appear and then reinstalling bleed screws, or
- Remove both bleed screws, and use a standard oil can nozzle to pump fluid in one side until it flows, free of air bubbles, out the other side . Reinstall screws .

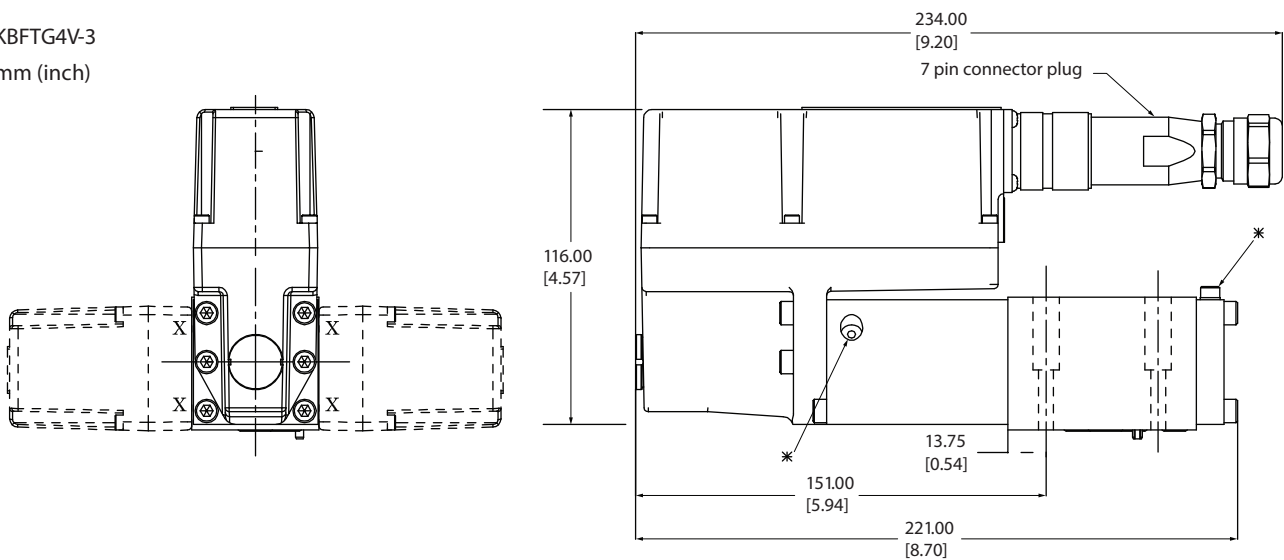
If there is no inherent back pressure in the tank port of the circuit do not allow the tank line to empty . This may be prevented by installing a check valve in the tank line . The cracking pressure of the check valve should be in the range of 22 - 45 psi (1 .5 - 3 bar) .

Installation dimensions

KBFDG4V-3
mm (inch)



KBFTG4V-3
mm (inch)



Amplifier and solenoid may be rotated 90° as shown by removing 4 screws shown X. Re-torque to 7-9 Nm (6-7 lbf ft)

* Bleed screw locations Air bleed, Socket Head Cap Screw
Torque to 2 .5-3.0 Nm (2 .0- 2.5 lbf ft)

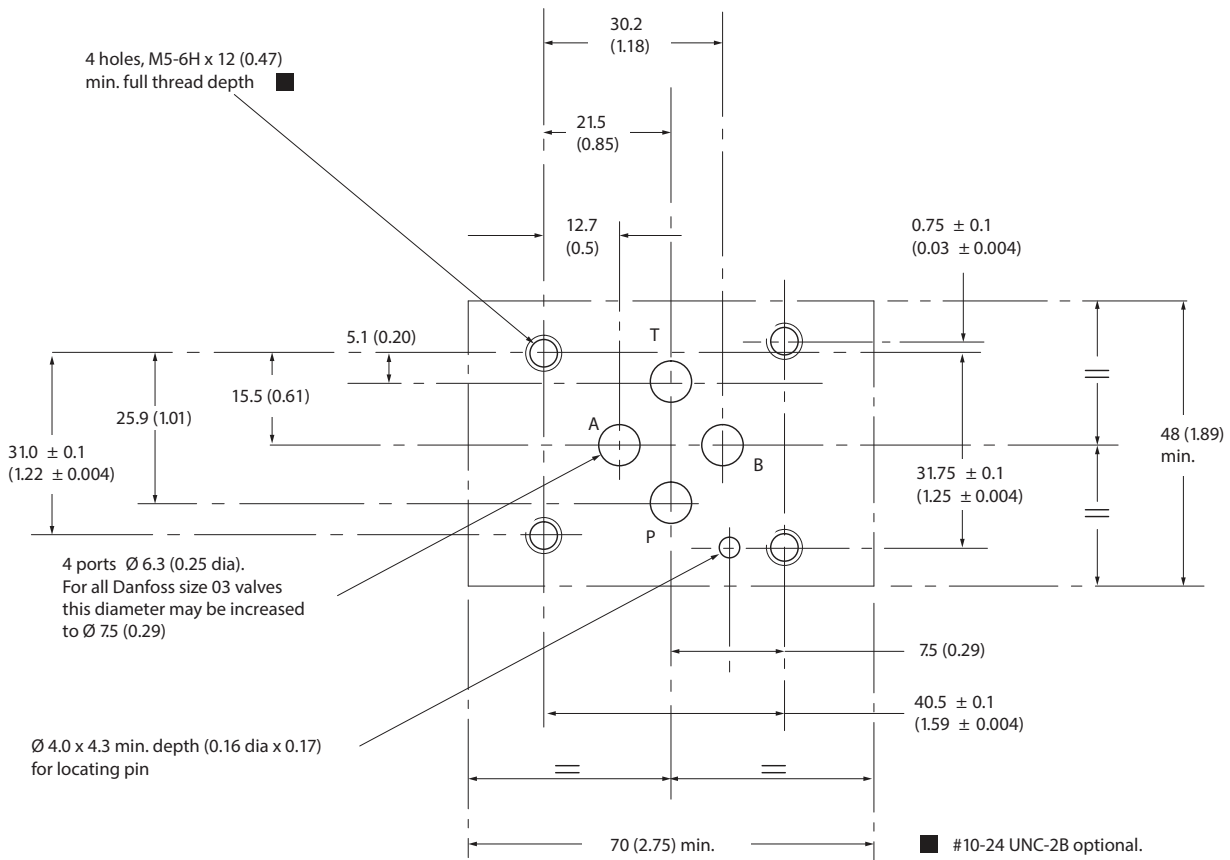
WARNING

Valves with integral amplifiers are supplied with or without the metal 7-pin plug. The Danfoss plug, part no. 934939, must be correctly fitted to ensure that the EMC rating and IP67 rating are achieved. The plug retaining nut must be tightened with a torque of 2.0- 2.5 Nm (1.5-2.0 lbf ft) to effect a proper seal.

Subplates and mounting surfaces

Mounting surface to ISO 4401 (Size 03)

This interface conforms to: ISO 4401-03-02-0-05

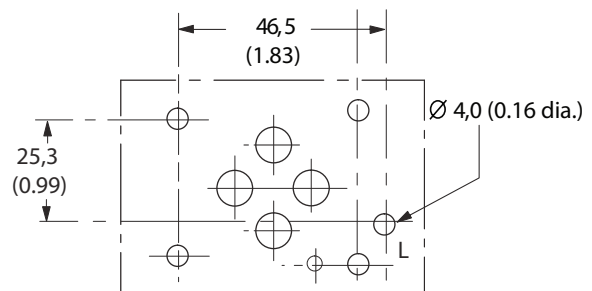


■ #10-24 UNC-2B optional

Interface with additional drain port

ANSI/B93 .7M (and NFPA) size 03 CETOP R35H4 .2-4-03, plus location pin hole .

Typically used for proportional and other valves requiring an additional drain port .



Block diagram Voltage input (M1) KBFDG 4V-3

KBFDG4V-3 wiring

Wiring Connections must be made via the 7-pin plug mounted on the amplifier. See page 15 of this leaflet and Danfoss's Installation Wiring Practices for Danfoss Electronic Products leaflet 2468.

Recommended cable sizes are:

Power cables:

For 24V supply 0.75 mm² (18 AWG) up to 20m (65 ft)
1.00 mm² (16 AWG) up to 40m (130 ft)

Signal cables:

0.50 mm² (20 AWG)

Screen (shield):

A suitable cable would have seven cores, a separate screen for the signal wires and an overall screen .

Cable outside diameter 8.0–10.5 mm (0.31–0.41 inches)

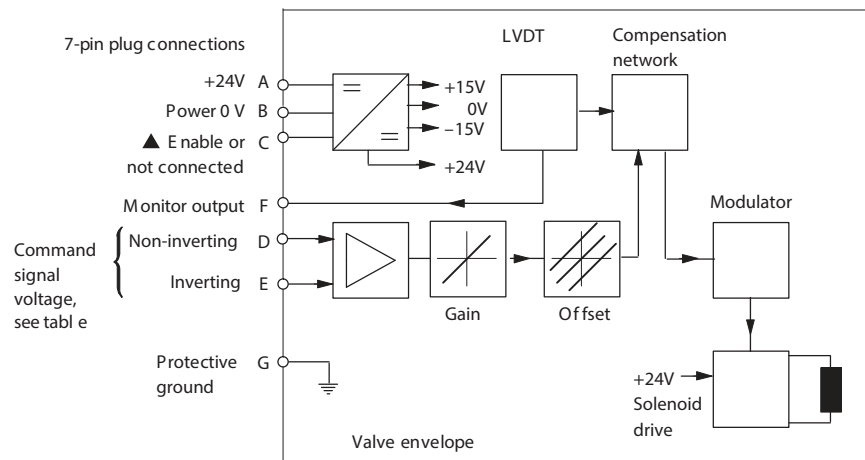
See connection diagram on page 15 .

KFDG4V-3 wiring

Wiring details for these valves are contained in the appropriate Eurocard literature and Danfoss's Installation Wiring Practices for Danfoss Electronic Products leaflet 2468.

Command signals and outputs, M1

7-pin plug		Flow direction
Pin D	Pin E	
Positive	OV	
OV	Negative	P to A
	$U_d - U_e = \text{Positive}$	
Negative	OV	
OV	Positive	P to B
	$U_d - U_e = \text{Negative}$	



▲ Pin C is used for a valve enable signal with electrical connections PH7



WARNING

All power must be switched off before connecting or disconnecting any plugs.

Electrical information

Block diagram Current input (M2) KFSDG4V-3

KBSDG4V-3 wiring

Connections must be made via the 7-pin plug mounted on the amplifier. See page 15 of this leaflet and Danfoss's Installation Wiring Practices for Danfoss Electronic Products leaflet 2468.

Recommended cable sizes are:

Power cables:

For 24V supply 0.75 mm² (18 AWG) up to 20m (65 ft) 1.00 mm² (16 AWG) up to 40m (130 ft)

Signal cables:

0.50 mm² (20 AWG)

Screen (shield):

A suitable cable would have seven cores, a separate screen for the signal wires and an overall screen.

Cable outside diameter 8.0–10.5 mm (0.31–0.41 inches)

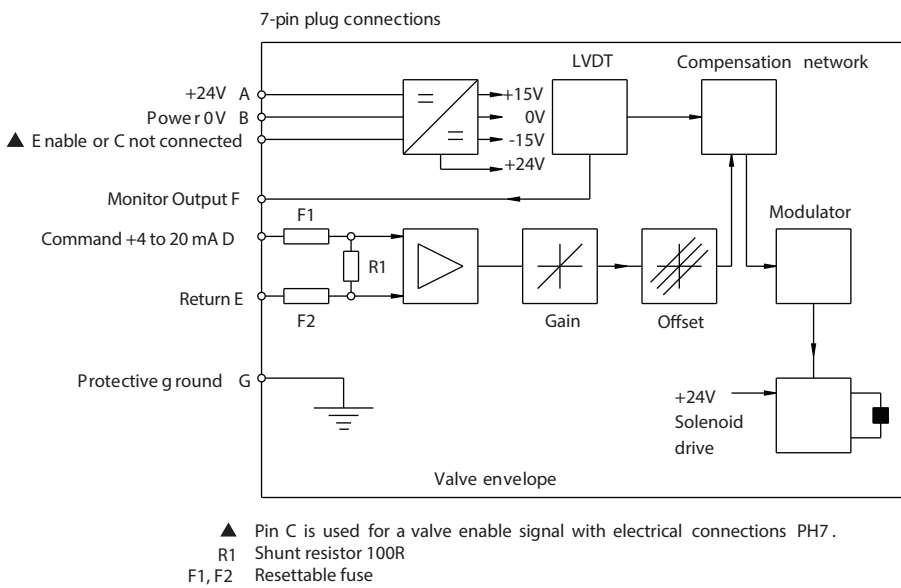
See connection diagram on page 16.

KFDG4V-3 wiring

Wiring details for these valves are contained in the appropriate Eurocard literature and Danfoss's Installation Wiring Practices for Danfoss Electronic Products leaflet 2468.

Command signals and outputs, M2

7-pin plug			
Pin D	Pin E	Pin B	Flow direction
More than 12 mA	Current return	Power ground	P to A
Less than 12 mA	Current return	Power ground	P to B



WARNING

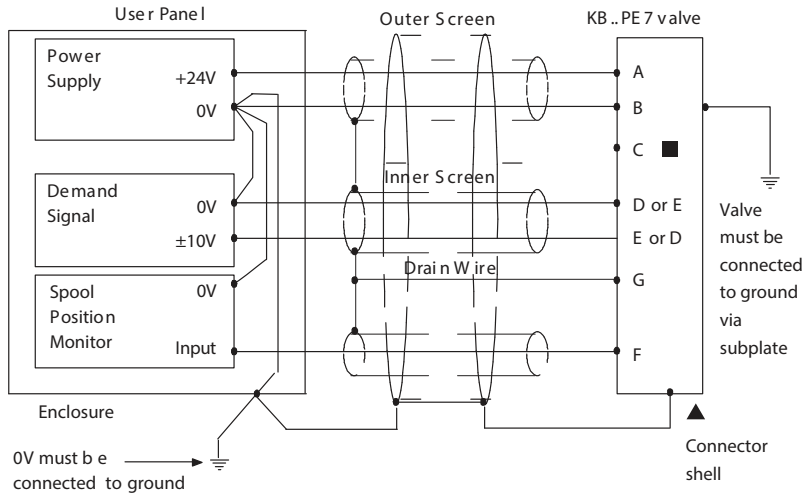
All power must be switched off before connecting/disconnecting any plugs.

Electrical information

Wiring connections

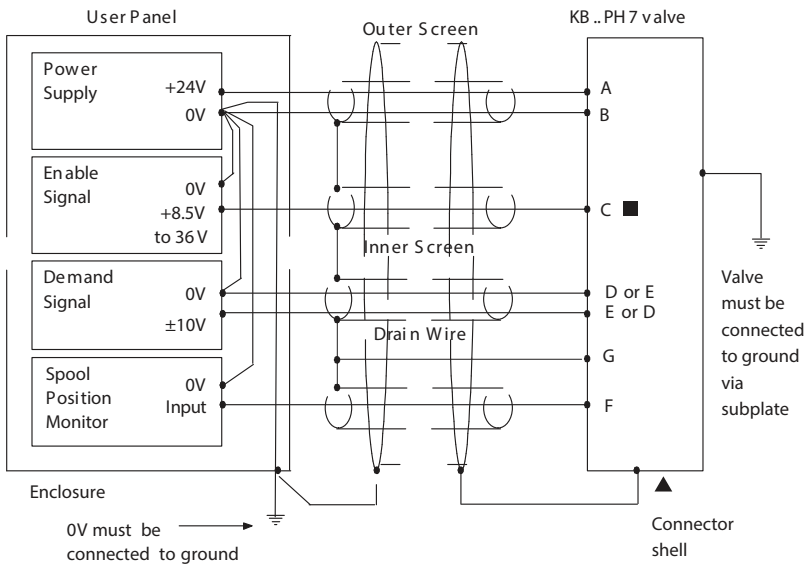
Voltage input (M1)

■ Spool position monitor voltage (pin F) will be referenced to the KB valve local ground .



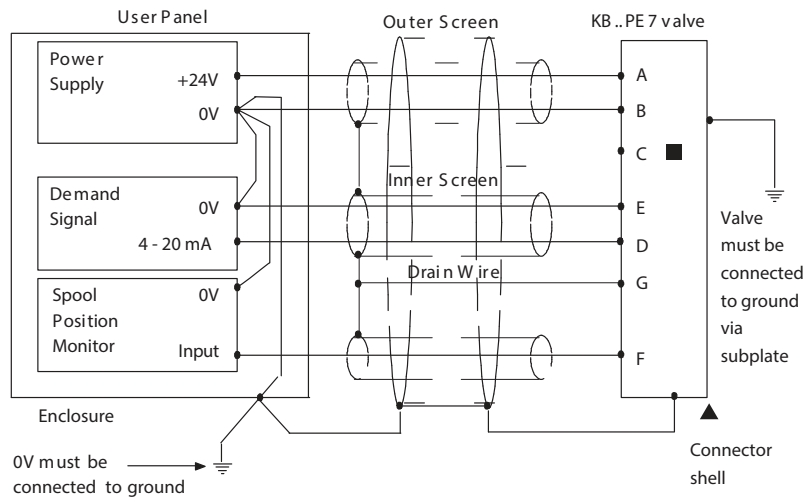
Wiring connections for M1 valves with enable feature

Note : ■ In applications where the valve must conform to European RFI/EMC regulations, the outer screen (shield) must be connected to the outer shell of the 7-pin connector, and the valve body must be fastened to the earth ground . Proper earth grounding practices must be observed in this case, as any differences in command source and valve ground potentials will result in a screen (shield) ground loop .



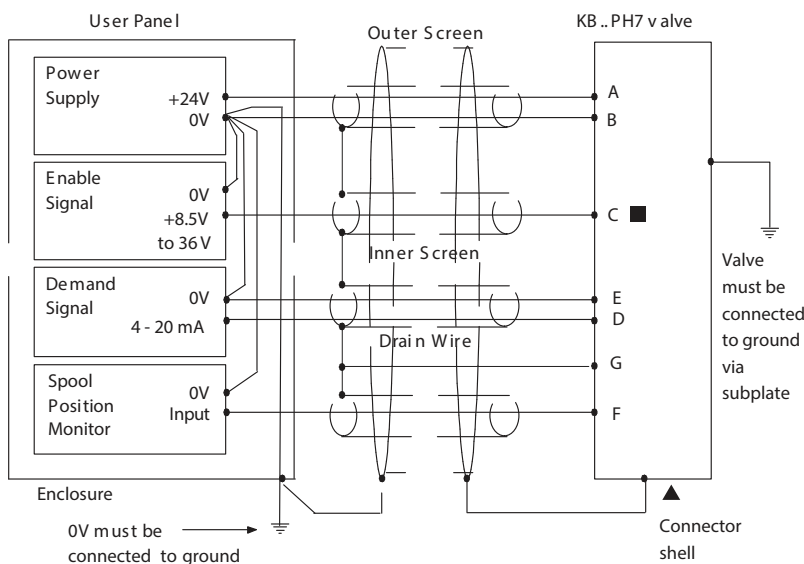
Wiring connections Current input (M2)

Spool position monitor voltage (pin F) will be referenced to the KB valve local ground .



Wiring connections for M2 valves with enable feature

In applications where the valve must conform to European RFI/EMC regulations, the outer screen (shield) must be connected to the outer shell of the 7-pin connector, and the valve body must be fastened to the earth ground . Proper earth grounding practices must be observed in this case, as any differences in command source and valve ground potentials will result in a screen (shield) ground loop .



WARNING

Electromagnetic Compatibility (EMC)
It is necessary to ensure that the valve is wired up as above. For effective protection the user electrical cabinet, the valve subplate or manifold and the cable screens should be connected to efficient ground points.

The metal 7-pin connector part no. 934939 should be used for the integral amplifier. In all cases both valve and cable should be kept as far away as possible from any sources of electromagnetic radiation such as cables carrying heavy current, relays and certain kinds of portable radio transmitters, etc. Difficult environments could mean that extra screening may be necessary to avoid the interference.

It is important to connect the 0V lines as shown above. The multi-core cable should have at least two screens to separate the demand signal and monitor output from the power lines.

The enable line to pin C should be outside the screen which contains the demand signal cables.

Application data

Fluid cleanliness

Proper fluid condition is essential for long and satisfactory life of hydraulic components and systems. Hydraulic fluid must have the correct balance of cleanliness, materials and additives for protection against wear of components, elevated viscosity and inclusion of air .

Recommendations on contamination control methods and the selection of products to control fluid condition are included in Danfoss's publication 9132 or 561, "Danfoss Guide to Systemic Contamination Control" . The book also includes information on the Danfoss's concept of "ProActive Maintenance" .

The following recommendations are based on ISO cleanliness levels at 2 µm, 5 µm and 15 µm:

For products in this catalog the recommended levels are:

0 to 70 bar (1000 psi)	18/16/13
70 + bar (1000 + psi)	17/15/12

Danfoss products, as any components, will operate with apparent satisfaction in fluids with higher cleanliness codes than those described. Other manufacturers will often recommend levels above those specified.

Experience has shown, however, that life of any hydraulic components is shortened in fluids with higher cleanliness codes than those listed above . These codes have been proven to provide a long trouble-free service life for the products shown, regardless of the manufacturer .

Hydraulic fluids

Materials and seals used in these valves are compatible with antiwear hydraulic oils, and non-alkyl-based phosphate esters. The extreme operating viscosity range is 500 to 13 cSt (2270 to 70 SUS) but the recommended running range is 54 to 13 cSt (245 to 70 SUS) .

Installation

The proportional valves in this catalog can be mounted in any attitude, but it may be necessary in certain demanding applications, to ensure that the solenoids are kept full of hydraulic fluid. Good installation practice dictates that the tank port and any drain port are piped so as to keep the valves full of fluid once the system start-up has been completed.

Service information

The products from this range are preset at the factory for optimum performance; disassembling critical items would destroy these settings . It is therefore recommended that should any mechanical or electronic repair be necessary they should be returned to the nearest Danfoss repair center . The products will be refurbished as necessary and retested to specification before return.

Field repair is restricted to the replacement of the seals.

Note : The feedback/solenoid assembly installed in this valve should not be disassembled .

Products we offer:

- Cartridge valves
- DCV directional control valves
- Electric converters
- Electric machines
- Electric motors
- Gear motors
- Gear pumps
- Hydraulic integrated circuits (HICs)
- Hydrostatic motors
- Hydrostatic pumps
- Orbital motors
- PLUS+1® controllers
- PLUS+1® displays
- PLUS+1® joysticks and pedals
- PLUS+1® operator interfaces
- PLUS+1® sensors
- PLUS+1® software
- PLUS+1® software services, support and training
- Position controls and sensors
- PVG proportional valves
- Steering components and systems
- Telematics

Danfoss Power Solutions is a global manufacturer and supplier of high-quality hydraulic and electric components. We specialize in providing state-of-the-art technology and solutions that excel in the harsh operating conditions of the mobile off-highway market as well as the marine sector. Building on our extensive applications expertise, we work closely with you to ensure exceptional performance for a broad range of applications. We help you and other customers around the world speed up system development, reduce costs and bring vehicles and vessels to market faster.

Danfoss Power Solutions – your strongest partner in mobile hydraulics and mobile electrification.

Go to www.danfoss.com for further product information.

We offer you expert worldwide support for ensuring the best possible solutions for outstanding performance. And with an extensive network of Global Service Partners, we also provide you with comprehensive global service for all of our components.

Local address:

Hydro-Gear

www.hydro-gear.com

Daikin-Sauer-Danfoss

www.daikin-sauer-danfoss.com

**Danfoss
Power Solutions (US) Company**
2800 East 13th Street
Ames, IA 50010, USA
Phone: +1 515 239 6000

**Danfoss
Power Solutions GmbH & Co. OHG**
Krokamp 35
D-24539 Neumünster, Germany
Phone: +49 4321 871 0

**Danfoss
Power Solutions ApS**
Nordborgvej 81
DK-6430 Nordborg, Denmark
Phone: +45 7488 2222

**Danfoss
Power Solutions Trading
(Shanghai) Co., Ltd.**
Building #22, No. 1000 Jin Hai Rd
Jin Qiao, Pudong New District
Shanghai, China 201206
Phone: +86 21 2080 6201

Danfoss can accept no responsibility for possible errors in catalogues, brochures and other printed material. Danfoss reserves the right to alter its products without notice. This also applies to products already on order provided that such alterations can be made without subsequent changes being necessary in specifications already agreed. All trademarks in this material are property of the respective companies. Danfoss and the Danfoss logotype are trademarks of Danfoss A/S. All rights reserved.