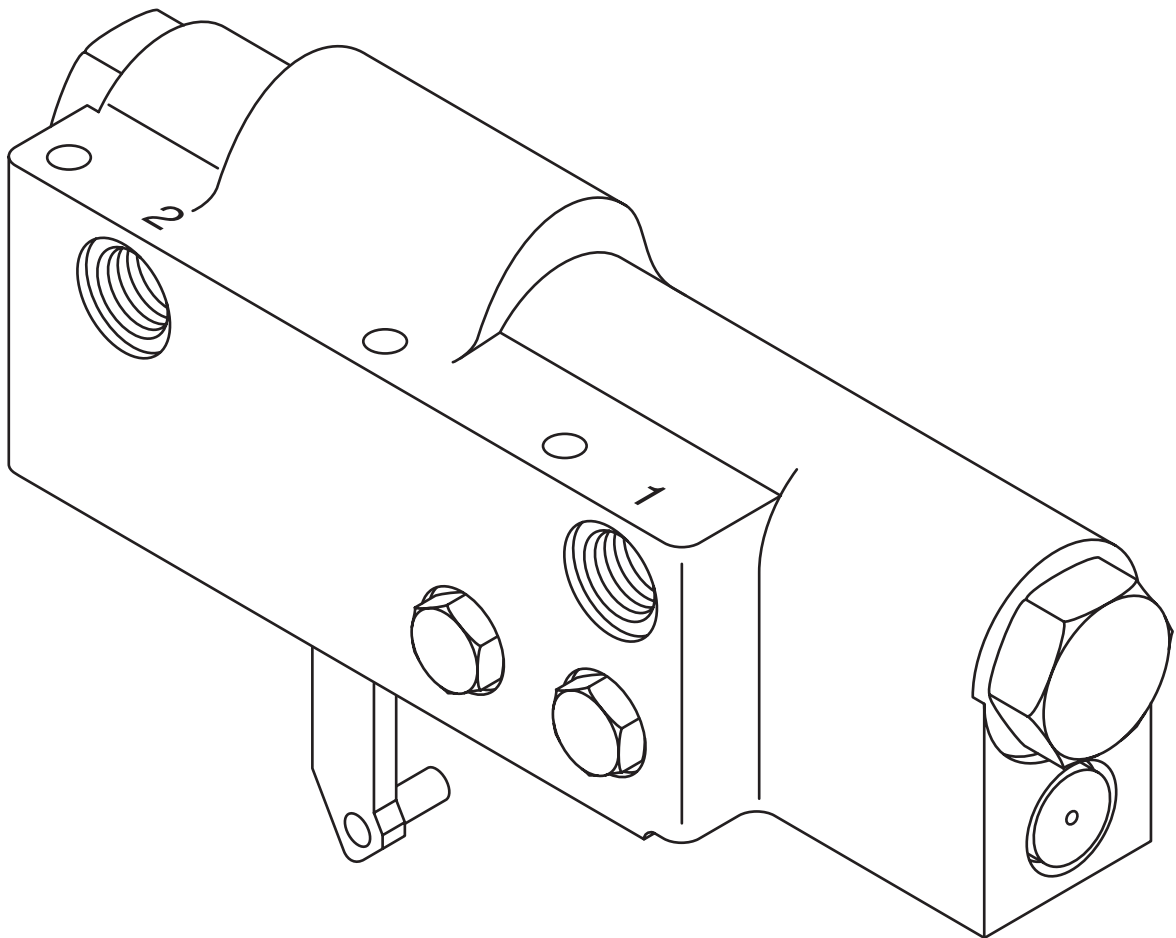


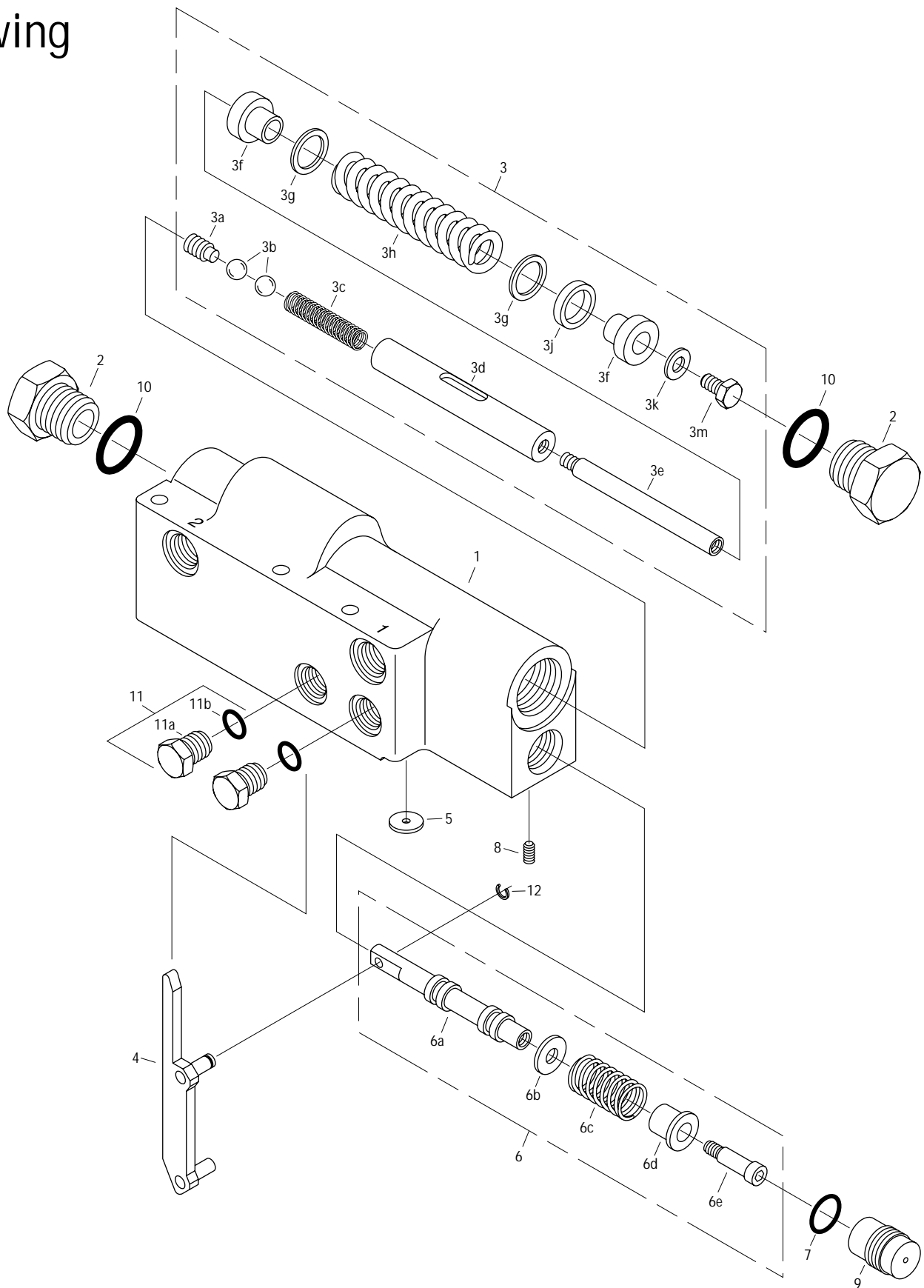


Parts Information



Hydraulic Remote Controller

Parts Drawing



Parts List

Item	Part Number	Description	Qty.
1	102519 - 000	Housing	1
2	102871 - 000	Plug	2
3	◇	Control Piston Subassembly	1
3a	102556 - 000	Set Screw 3/8-16	1
3b	95881 - 031	Ball – Grade 200	2
3c	102502 - 000	Centering Spring	1
3d	NSS	Control Piston	1
3e	NSS	Bushing Rod	1
3f	NSS	Piston Bushing	2
3g	NSS	Bushing Washer	2
3h	NSS	Control Spring	1
3j	NSS	Spacer*	1
3k	NSS	Washer	1
3m	NSS	Bolt 1/4-20	1
4	102509 - 000	Control Link (Models 33 – 64)	1
4	102873 - 000	Control Link (Models 33 – 64 with POR)	1
4	102657 - 000	Control Link (Model 76)	1
4	102875 - 000	Control Link (Model 76 with POR)	1
5	◇	Orifice	1
6	25471 - 000	Control Spool Subassembly	1
6	101336 - 000	Control Spool Subassembly – Wide Band Neutral	1
6a	NSS	Control Spool	1
6a	NSS	Control Spool – Wide Band Neutral	1
6b	NSS	Spring Washer	1
6c	NSS	Control Spool Spring	1
6d	NSS	Spring Retainer	1
6e	NSS	Shoulder Screw	1
7	8761 - 016	O-ring	1
8	98361 - 038	Set Screw	1
9	101373 - 000	Spring Box Adjustment Screw	1
10	8785 - 012	Tube Fitting O-ring	2
11	25090 - 006	O-ring Plug Subassembly	2
11a	NSS	Plug	2
11b	8785 - 006	O-ring	2
12	96098 - 025	Retaining Ring	1

* – Not used on all units

◇ – See table for specific part number

NSS – Not Sold Separately

Hydraulic Remote Controller Kits

Kits contain controller, orifice, mounting bolts, and gasket.

When ordering, put the desired orifice size, in thousandths of an inch, in place of the - XXX at the end of the kit number. See the Item 5 – Orifice table for available sizes.

Model	Pressure Range (bar [PSI])	Special Features	Kit Number
33 – 64	.69 - 10.35 [0 - 150]		990196 - XXX
33 – 64	3.44 - 12.41 [50 - 180]		990197 - XXX
76	.69 - 10.35 [0 - 150]		990241 - XXX
76	3.44 - 12.41 [50 - 180]		990242 - XXX
33 – 64	4.96 - 14.96 [72 - 217]		990243 - XXX
33 – 64	.69 - 10.35 [0 - 150]	POR	990265 - XXX
76	.69 - 10.35 [0 - 150]	POR	990266 - XXX
33 – 64	3.44 - 12.41 [50 - 180]	POR	990267 - XXX
76	3.44 - 12.41 [50 - 180]	POR	990268 - XXX
33 – 64	4.96 - 14.96 [72 - 217]	POR	990269 - XXX
33 – 64	13.79 - 24.13 [200 - 350]	POR	990270 - XXX
76	13.79 - 24.13 [200 - 350]	POR	990271 - XXX
33 – 64	13.79 - 24.13 [200 - 350]		990326 - XXX
76	4.96 - 14.96 [72 - 217]		990335 - XXX

Item 5 – Orifice

Orifice Size (inches)	Part Number
.028	101619 - 028
.036	101619 - 036
.044	101619 - 044
.052	101619 - 052
.057	101619 - 057
.065	101619 - 065
.073	101619 - 073
.094	101619 - 094
.102	101619 - 102

Item 3 – Control Piston Subassembly

Pressure Range (bar [PSI])	Part Number
.69 - 10.35 [0 - 150]	102515 - 000
3.44 - 12.41 [50 - 180]	102516 - 000
4.96 - 14.96 [72 - 217]	102661 - 000
13.79 - 24.13 [200 - 350]	102878 - 000

Eaton
Fluid Power Group
Hydraulics Business USA
14615 Lone Oak Road
Eden Prairie, MN 55344
USA
Tel: 952-937-9800
Fax: 952-294-7722
www.eaton.com/hydraulics

Eaton
Fluid Power Group
Hydraulics Business Europe
Route de la Longeraie 7
1110 Morges
Switzerland
Tel: +41 (0) 21 811 4600
Fax: +41 (0) 21 811 4601

Eaton
Fluid Power Group
Hydraulics Business Asia Pacific
11th Floor Hong Kong New World Tower
300 Huaihai Zhong Road
Shanghai 200021
China
Tel: 86-21-6387-9988
Fax: 86-21-6335-3912