

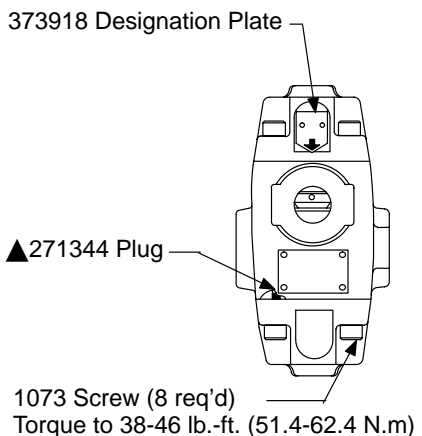
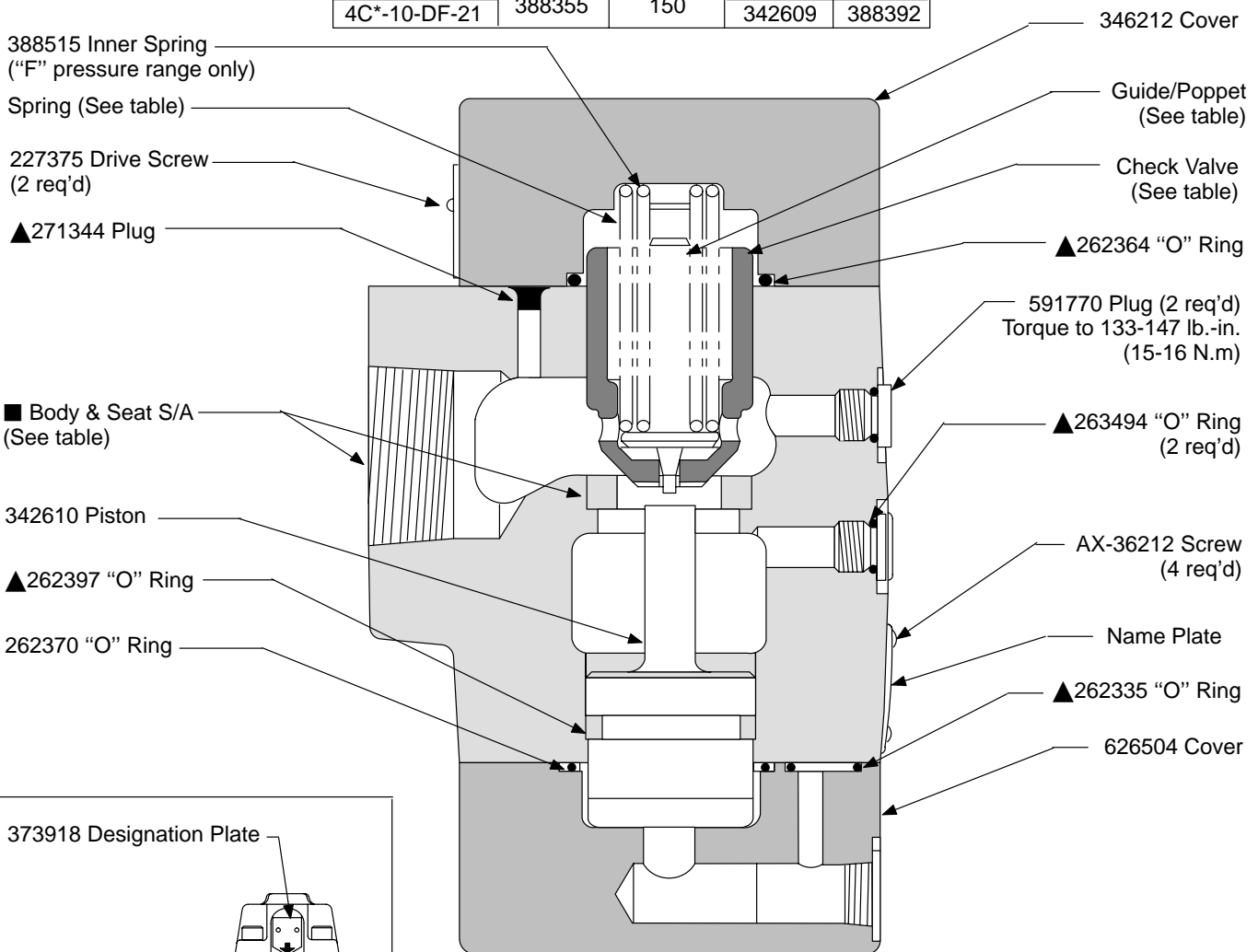
Check Valves



Pilot Operated Check Valve

4CT-10-(D)*-21

Model	Spring	Pressure PSI	Check-Valve	Guide/Poppet
4C*-10-A-21	352444	30	359863	359862
4C*-10-DA-21			342609	357424
4C*-10-C-21	388354	75	359863	359862
4C*-10-DC-21			342609	357424
4C*-10-F-21	388355	150	359863	388391
4C*-10-DF-21			342609	388392

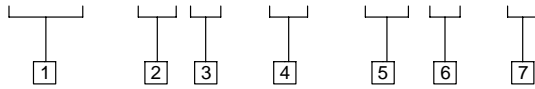


Model	■ Body S/A	Body	Seat
4CS-10-(D)*-21	626615	626616	342608
4CT-10-(D)*-21	626528	626529	

▲ Service all units with F3 Seal Kit 919677

Model Code

(F3) - 4C * - 10 - (D) * - 21



1 Seals

(F3) - Seals for mineral oil and fire resistant fluids

2 Model Series

4C - Pilot operated check valve

3 Connection

G - Subplate mounted
S - SAE straight thread connection
T - NPTF threaded connection

4 Series

100 - 100

5 Features

D - Decompression
(Omit for no decompression)

6 Pressure Range

A - 30 PSI
B - 50 PSI
C - 75 PSI
D - 150 PSI

7 Design

4CG-10-(D)*-21

▲ Service all units with F3 Seal Kit 919679

626530 Body & Seat
S/A Includes:
342608 Seat
626531 Body

Model	Spring	Pressure PSI	Check-Valve	Guide/Poppet
4CG-10-A-21	352444	30	359862	359863
4CG-10-DA-21			357424	342609
4CG-10-C-21	388354	75	359862	359863
4CG-10-DC-21			357424	342609
4CG-10-F-21	388355	150	388391	359863
4CG-10-DF-21			388392	342609

388515 Inner Spring
("F" pressure range only)

▲ 262402 "O" Ring

271344 Plug
(2 req'd)

▲ 262399 "O" Ring
(2 req'd)

160571 Rollpin

342610 Piston

1073 Screw (8 req'd)
Torque to 38-46 lb.-ft.
(51.5-62.3 N.m)

▲ 262353 "O" Ring

▲ 262335 "O" Ring

▲ 263496 "O" Ring

591772 Plug (2 req'd)
Torque to 18-20 lb.-ft.
(24.4-27 N.m)

342612 Cover

Spring (See table)

Guide/Poppet
(See table)

Check Valve
(See table)

Body & Seat S/A
(See table)

591770 Plug (2 req'd)
Torque to 133-147 lb.-in.
(15-16 N.m)

▲ 263494 "O" Ring
(2 req'd)

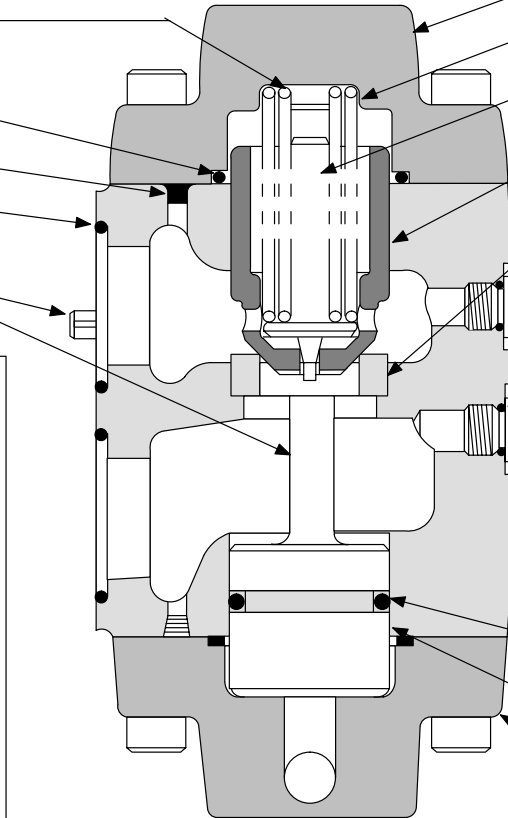
AX-36212 Screw
(4 req'd)

Name Plate

▲ 262397 "O" Ring

▲ 262370 "O" Ring

626527 Cover



For satisfactory service life of these components, use full flow filtration to provide fluid which meets ISO cleanliness code 18/15 or cleaner. Selections from Eaton OFF, OFR and OFRS filter series are recommended.