

Vickers®

# Piston Pumps

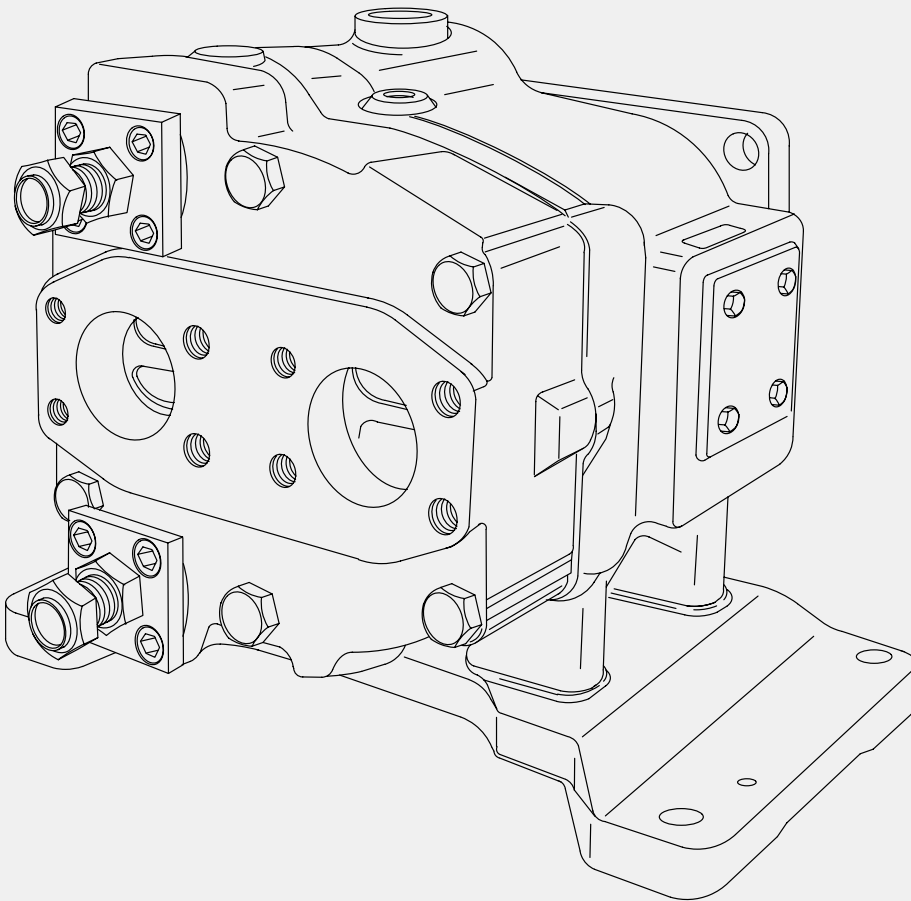
Service Parts Information



## 90 GPM Variable Delivery Inline Piston Pumps

PVB90-(F)RDF-20-H-10

PVB90-(F)LDF-20-H-10



**VICKERS**

Revised 6/01/80

I-3291-S



**CAUTION**

Do not exceed  
175 lb. in. Torque.

292334  
Rod Subassy  
(2 req'd)

▲ 154017  
O-Ring  
(2 req'd)

1074 Screw  
(8 req'd)

Valve Plate	Model
289225	PVB90-(F)RDF-20-H-10
292333	PVB90-(F)LDF-20-H-10

162513 Retaining Ring  
271537 Bearing  
▲ 248450 Gasket

112934 Pin  
(2 req'd)

11170 Screw ( 6 req'd)  
(Torque to 110-130 lb. ft.)

■ 263039  
Lift Limiter Sleeve  
(Machine sleeve (non-chamfered end)  
length to provide .005 to .008 inch clear-  
ance (dimension "X" in sectional view on  
back of page) between cylinder block and  
housing face without 249901 spring  
installed. Chamfer I.D. of machined end  
.030 inch x 45 degree.)

■ 190275 Retaining Ring

■ 263038 Washer

■ 248861  
Pin (4 req'd)

■ 248567  
Washer

■ 249901 Spring

■ 287285 Shim (as req'd)  
(To obtain a clearance of  
.002 to .006 inch between  
287181 Shoe Plate and  
287183 Plate.)

287183 Plate (2 req'd)

1228 Screw (4 req'd)  
(Torque to 130-150 lb. in.)

■ 287180 Swash Plate

■ 942084  
Piston Subassy Kit  
(Includes 9 Piston  
& Shoes S/A)

■ 325652  
Shoe Plate

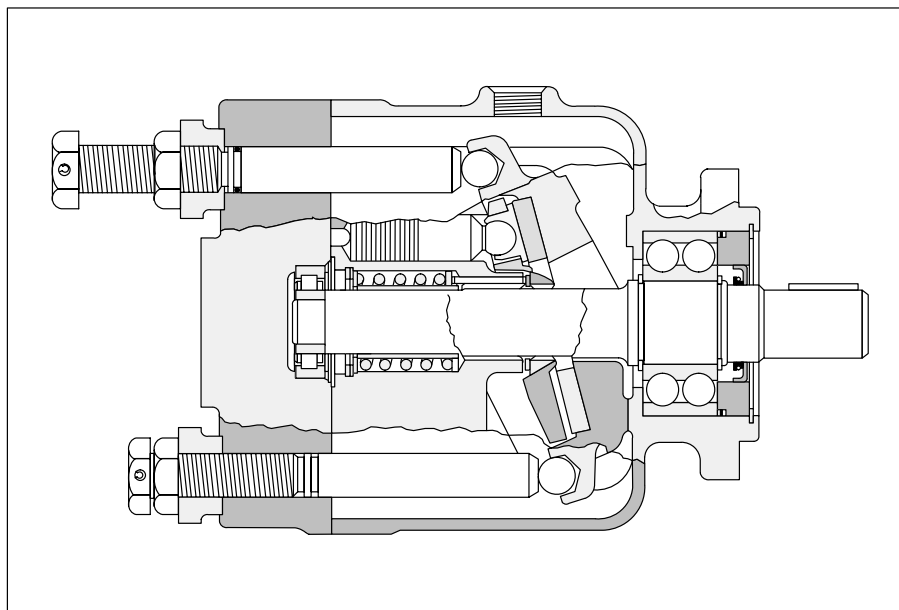
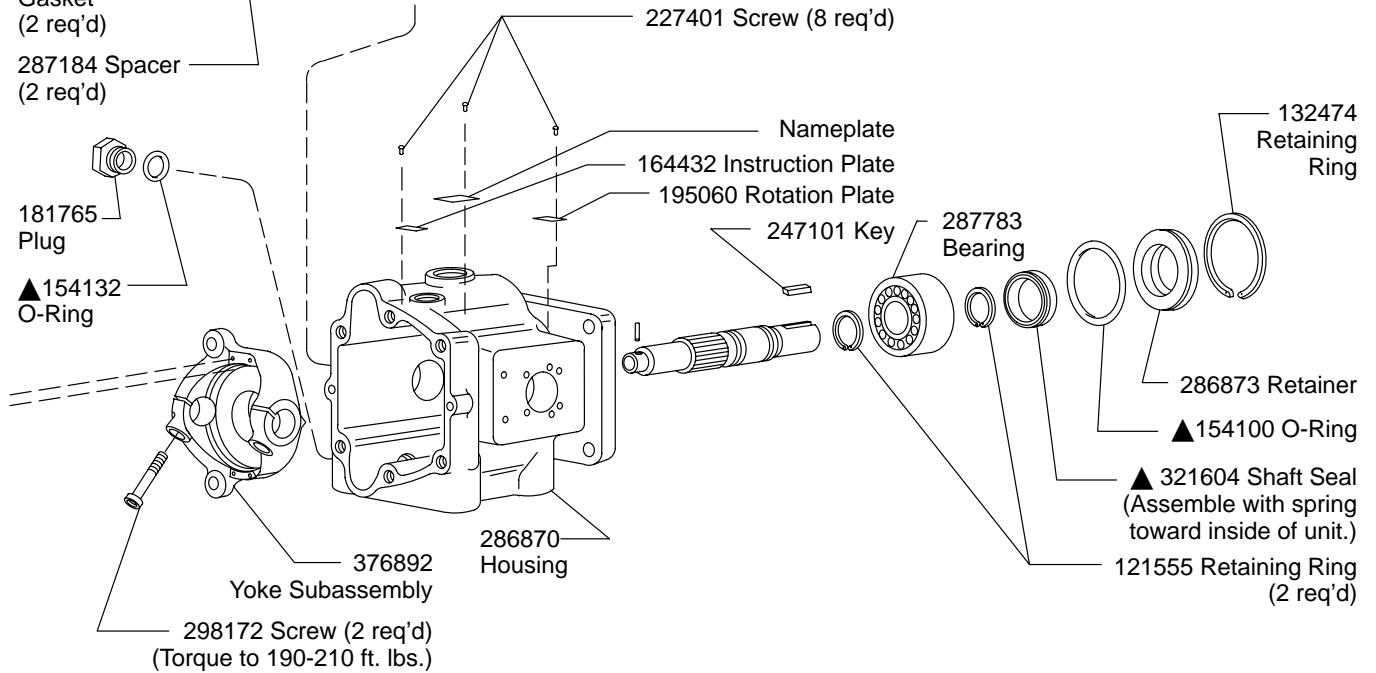
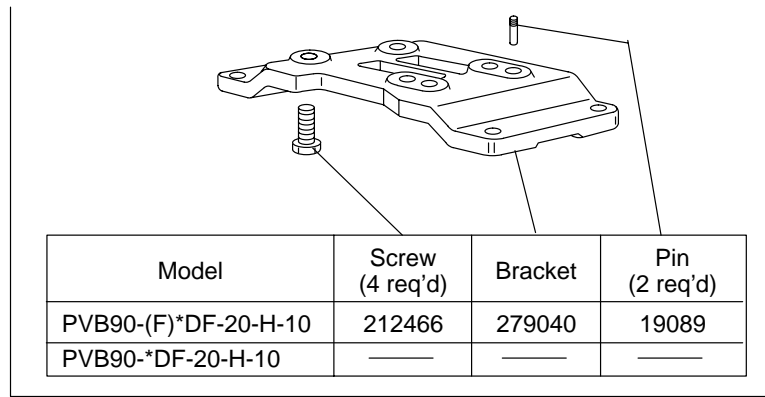
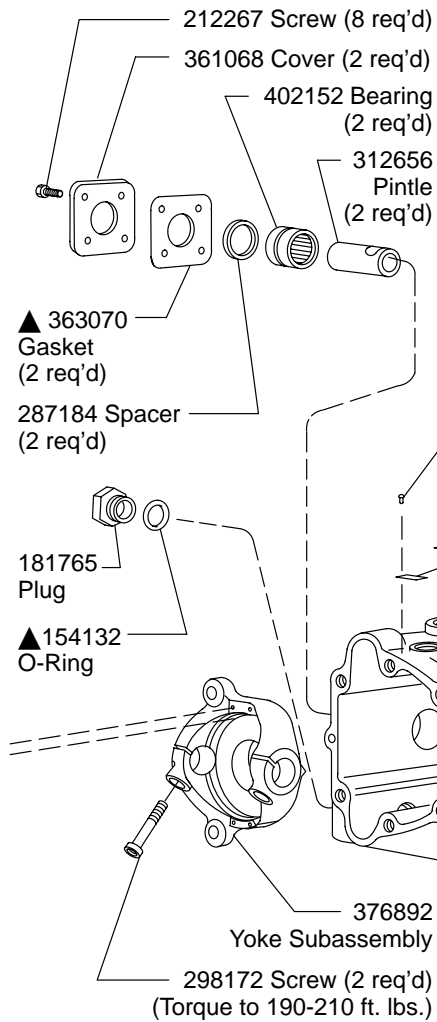
■ 248444  
Spherical  
Washer

■ 325650  
Cylinder Block

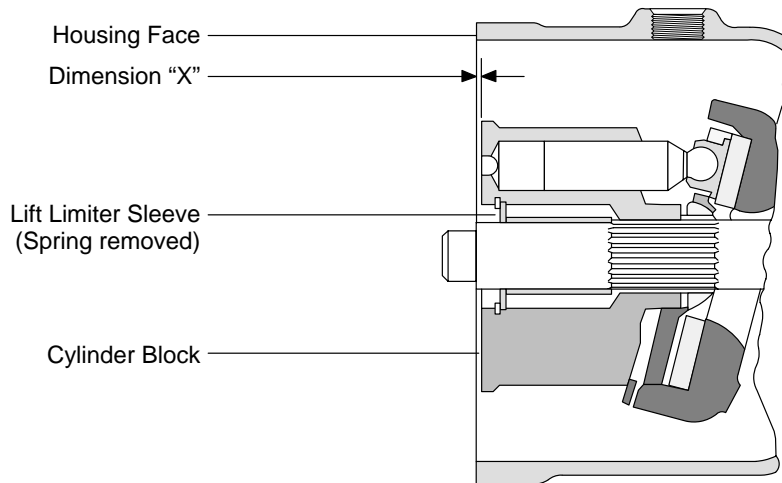
■ 261437 Washer

■ Included in 938291  
Rotating Group Kit

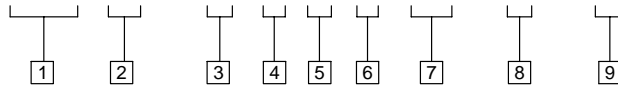
▲ Included In 919431 Seal Kit



# Model Code



**PVB 90 - (F) \* D F -20 - H - 10**



**1 Model Series**

**PVB** - Pump, variable displacement, inline type

**2 USgpm Rating at 1800 rpm**

**3 Mounting**

**F** - Foot bracket mounted  
**Omitted** - Flange mounted

**4 Rotation (Viewed from Shaft End)**

**R** - Right hand  
**L** - Left hand

**5 Swash Plate Movement**

**D** - Both sides of center

**6 Flanged Ports**

SAE 4 Bolt

**7 Pump Design**

**8 Manual Control**

**8 Control Design**

For satisfactory service life of these components use full flow filtration to provide fluid which meets ISO cleanliness code 20/18/15 or cleaner. Selections from Eaton OFF, OFR, and OFRS series are recommended.