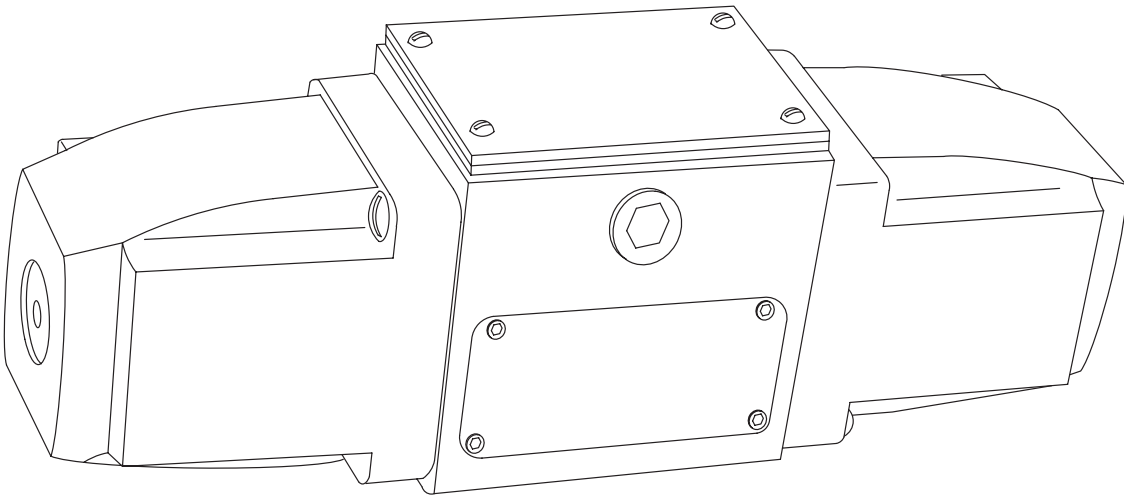


Wet Armature, Solenoid Operated, Directional Valves

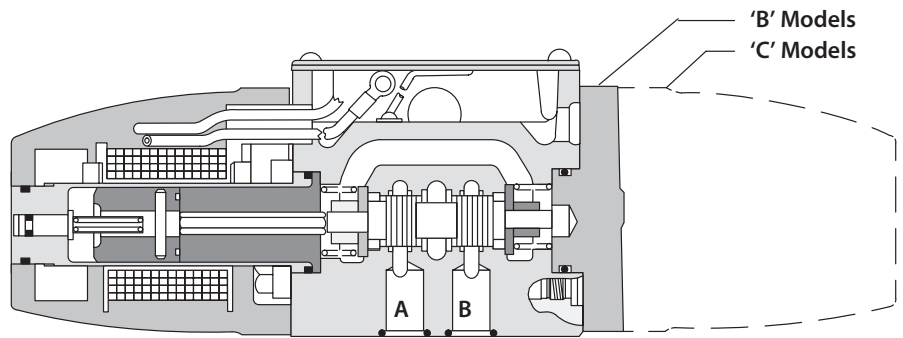
DG4S4-01*(*)B/C-W3*-50





WARNING

Use this drawing for parts information only.



Model	Spool	Diagram Plate	Spool Kit
DG4S4-010B/C-W-*-50	463385	290341	940711
DG4S4-011B/C-W-*-50	463386	290342	940712
DG4S4-012B/C-W-*-50	463387	290343	940713
DG4S4-013B/C-W-*-50	463388	290344	940714
DG4S4-016B/C-W-*-50	463389	290345	940715
DG4S4-0168B/C-W-*-50		577480	◆940714
DG4S4-017B/C-W-*-50	463390	290346	940716
DG4S4-0178B/C-W-*-50		577482	◆940715
DG4S4-018B/C-W-*-50	463391	290340	940717
DG4S4-0133B/C-W-*-50	463392	577484	940718

Assemble type 1 spool with relieved land toward "A" port.
Assemble type 3 spool with narrow land toward "A" port.

Spool kit includes spool, diagram plate, seal kit and parts prefixed with a closed square symbol (■).

DG4S4-01*B/C-W-*-50

◆ A type "68" spool kit is the same as the type "6" except a different diagram plate is used and the "B" model solenoid is assembled on the opposite end of the valve. A type "68" pilot valve is required for a (C) spring centered two stage valve with "4" or "8" type main stage spools.

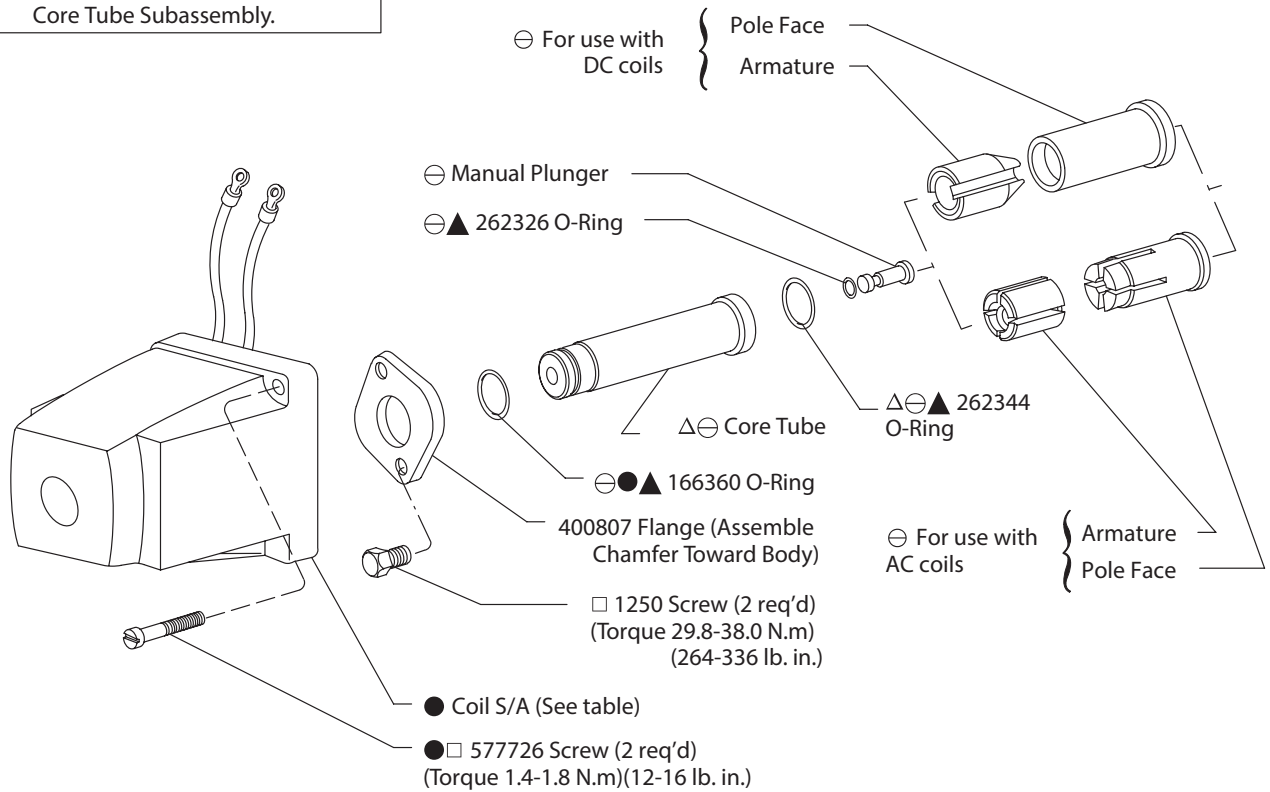
A type "78" spool kit is the same as the type "7" except a different diagram plate is used. A type "78" pilot valve is required for a (D) pressure centered two stage valve with "4" or "8" type main stage spools.

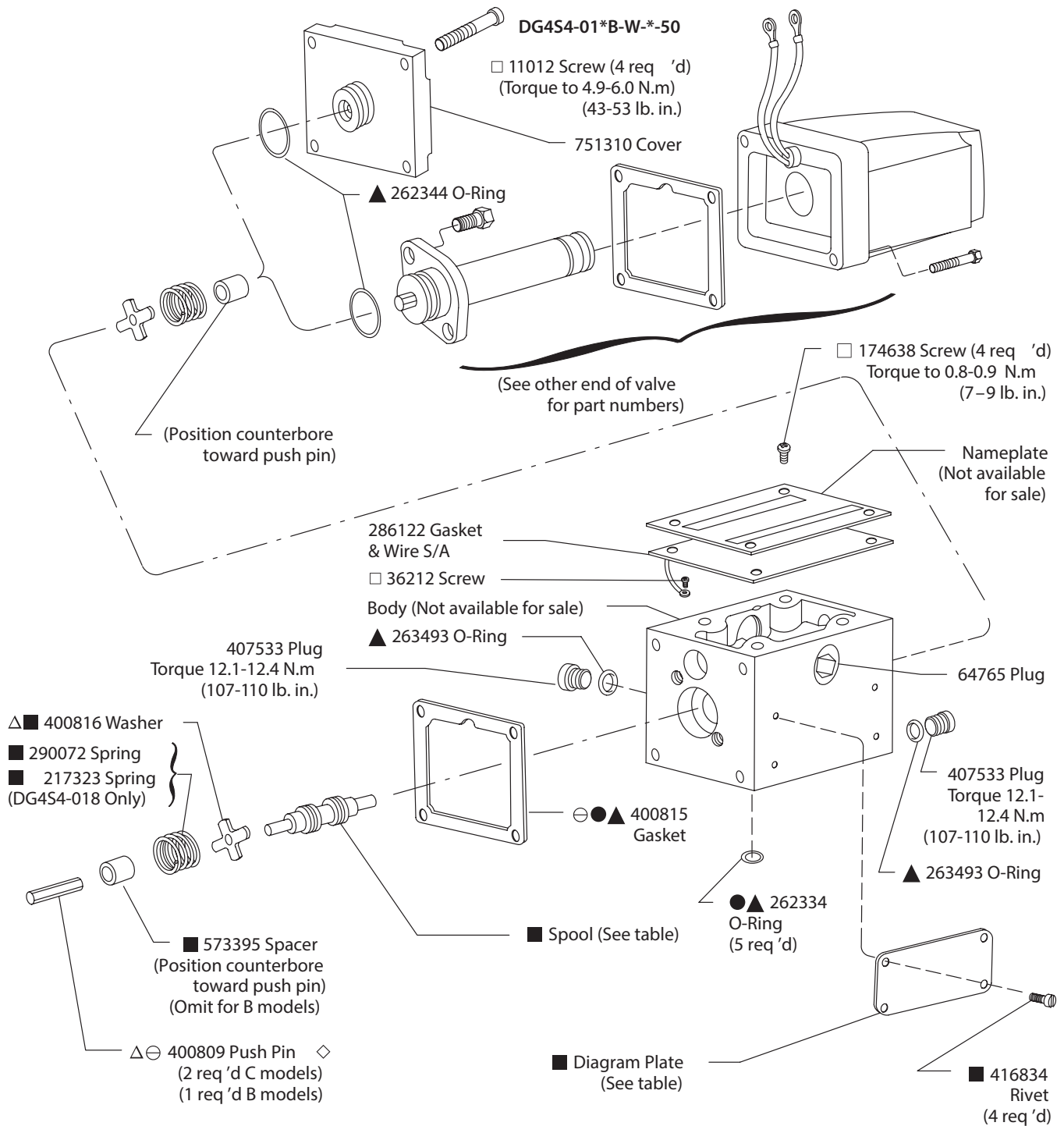
Note
Right hand assembly shown (B models). For left hand assembly all parts, except body, are reversed. Example of left hand model: DG4S4-012B-W-*-50-LH.

△ Assemble washer with sharp break edge toward outside of valve.

Coil Type	"W" Non-Serviceable	"W3" Serviceable
AC	△ 926593	941034
DC	—	941035

⊖ Included in serviceable (W3) Core Tube Subassembly.





Note
Part numbers prefixed with a symbol are available only as service kits.

◇ Suffix symbol pertains only to Vickers by Danfoss material control.

▲ Service all units W/F3 Seal Kit 920109

□ Included in Fastener Kit 942465

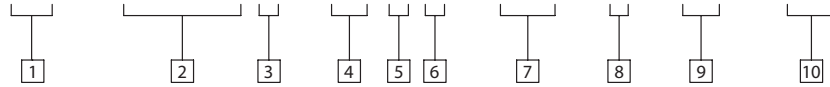
● Included in Coil Kit				
● Coil S/A	Coil Kit	AC Volt T/Hz	DC Volt	Coil Code
400823	942466	110/50, 115/60, 120/60		B
400824	942467	220/50, 230/60		D
400825	942468	440/50, 460/60		M
400826	942469		12	G
400827	942470		24	H
435755	941017	127/50		EG
582214	941109		250	X
730273	926461		48	J



*** CAUTION**
Correct armature and pole face must be used for AC and DC operation

Model Code

(F3) - DG4S4 * - 01 * * - W3 - * - 50 - (LH)



1 Seal Material

F3 - Seals for mineral oil and fire resistant fluids

2 Model Series

DG3S4 - Directional valve, subplate or manifold mounted, solenoid operated, sliding spool, 4 way flow direction

3 Solenoid Indicator Lights

L - Light
Omitted - None

4 Series

5 Spool Type

6 Spring

B - Spring centered/one solenoid
C - Spring centered

7 Wet Armature Type

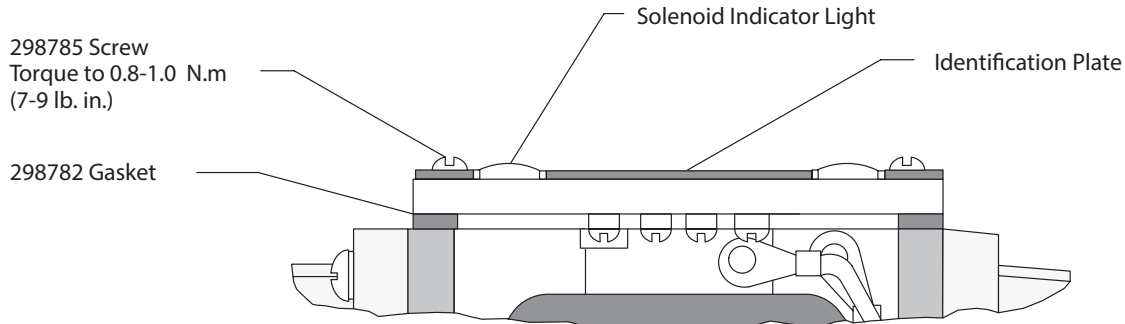
W - Non-serviceable core tube S/A
W3 - Serviceable core tube S/A

8 Coil Identification Letter

9 Design

**10 Left Hand Assembly
"B" Models Only**

For models with Solenoid Indicator Lights



Solenoid Indicator Light Kit (Includes all parts identified)	
Voltage Range	Kit
100 thru 127	941615
192 thru 233	941617

Note
Refer to parts drawing I-3487-S for models with plug-in feature.

For satisfactory service life of these components use full flow filtration to provide fluid which meets ISO cleanliness code 20/18/15 or cleaner. Selections from Danfoss OF P, OFR, and OFRS series are recommended.

Products we offer:

- Cartridge valves
- DCV directional control valves
- Electric converters
- Electric machines
- Electric motors
- Gear motors
- Gear pumps
- Hydraulic integrated circuits (HICs)
- Hydrostatic motors
- Hydrostatic pumps
- Orbital motors
- PLUS+1® controllers
- PLUS+1® displays
- PLUS+1® joysticks and pedals
- PLUS+1® operator interfaces
- PLUS+1® sensors
- PLUS+1® software
- PLUS+1® software services, support and training
- Position controls and sensors
- PVG proportional valves
- Steering components and systems
- Telematics

Danfoss Power Solutions is a global manufacturer and supplier of high-quality hydraulic and electric components. We specialize in providing state-of-the-art technology and solutions that excel in the harsh operating conditions of the mobile off-highway market as well as the marine sector. Building on our extensive applications expertise, we work closely with you to ensure exceptional performance for a broad range of applications. We help you and other customers around the world speed up system development, reduce costs and bring vehicles and vessels to market faster.

Danfoss Power Solutions – your strongest partner in mobile hydraulics and mobile electrification.

Go to www.danfoss.com for further product information.

We offer you expert worldwide support for ensuring the best possible solutions for outstanding performance. And with an extensive network of Global Service Partners, we also provide you with comprehensive global service for all of our components.

Local address:

Hydro-Gear

www.hydro-gear.com

Daikin-Sauer-Danfoss

www.daikin-sauer-danfoss.com

**Danfoss
Power Solutions (US) Company**
2800 East 13th Street
Ames, IA 50010, USA
Phone: +1 515 239 6000

**Danfoss
Power Solutions GmbH & Co. OHG**
Krokamp 35
D-24539 Neumünster, Germany
Phone: +49 4321 871 0

**Danfoss
Power Solutions ApS**
Nordborgvej 81
DK-6430 Nordborg, Denmark
Phone: +45 7488 2222

**Danfoss
Power Solutions Trading
(Shanghai) Co., Ltd.**
Building #22, No. 1000 Jin Hai Rd
Jin Qiao, Pudong New District
Shanghai, China 201206
Phone: +86 21 2080 6201