



# Relief Valves Technical Information

## Differential Area

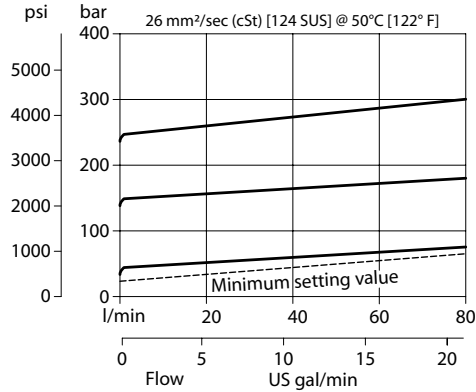
### VSB 06-EN

#### OPERATION

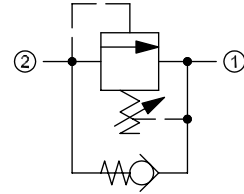
This is a direct-acting, differential area, poppet-type relief valve that relieves from 2 to 1 with an integral free-flow check from 1 to 2.

#### SPECIFICATIONS

##### Theoretical performance



##### Schematic



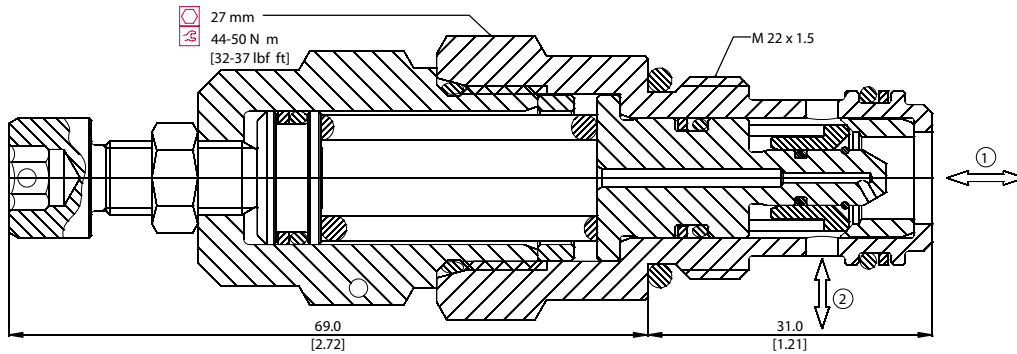
##### Specifications

<b>Rated pressure</b>	350 bar [5075 psi]
<b>Rated flow</b>	80 l/min [21 US gal/min]
<b>Weight</b>	0.22 kg [0.49 lb]
<b>Cavity</b>	<b>NCS06/2</b>

#### DIMENSIONS

mm [in]

##### Cross-sectional view



#### ORDERING INFORMATION

VSB 06-EN - 1 - 00 - V - XXX

- Setting range
  - 1 = 20 - 80 bar [363 - 2031 psi]
  - 2 = 70 - 210 bar [1015 - 3046 psi]
  - 3 = 105 - 350 bar [1523 - 5076 psi]
- Seals
  - V = Viton
  - Omit = Buna-N
- Housing and ports
  - 00 = No Housing
  - DG3/8 = AL, 3/8 BSP
  - DG1/2 = AL, 1/2 BSP
  - DG6S = AL, #6 SAE
  - DG8S = AL, #8 SAE
  - Other housings available
- Seal Kit
  - 230000380
  - 230000060
- Housing P/N
  - No Housing
  - NCS06/2-DG-3/8
  - NCS06/2-DG-1/2
  - NCS06/2-DG-6S
  - NCS06/2-DG-8S

To order this valve with a specific factory setting, contact your Danfoss ICS representative