



REFRIGERATION AND  
AIR CONDITIONING

# Instructions

## Woodley Protocol interface

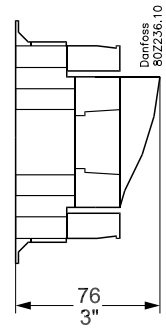
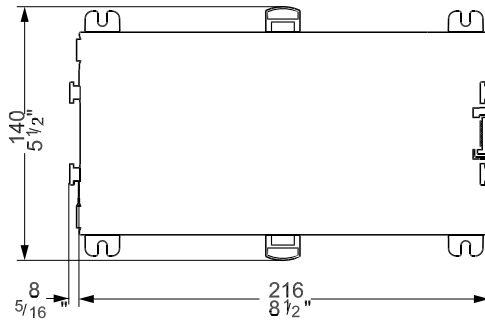
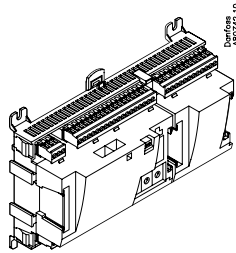
### AK-PI 100



080R9268



RI8MK102



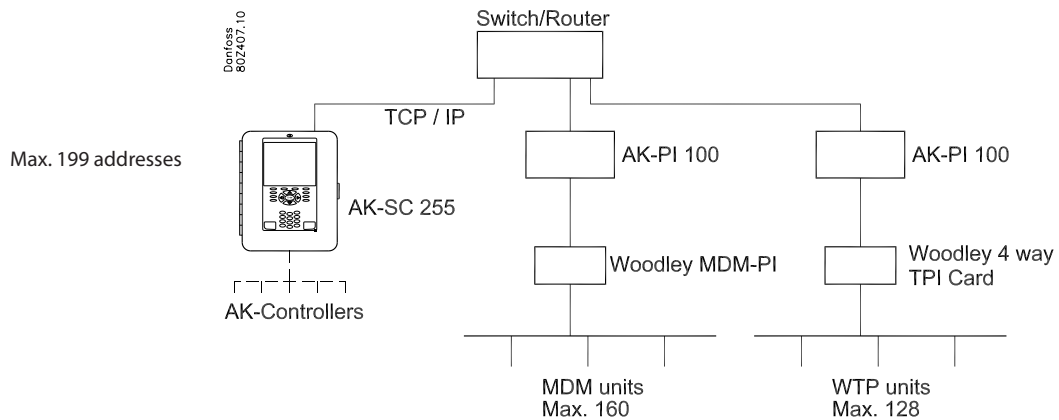
**CE**

-20°C < t<sub>amb</sub> < 55°C  
-0°F < t<sub>amb</sub> < 130°F  
0 - 95% RH, non condensing  
IP10 / VBG4  
UL: E166834


#### AK-PI 100 installation:

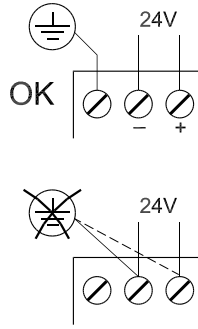
See manual: RS8FB

#### Princip



**Supply voltage:**

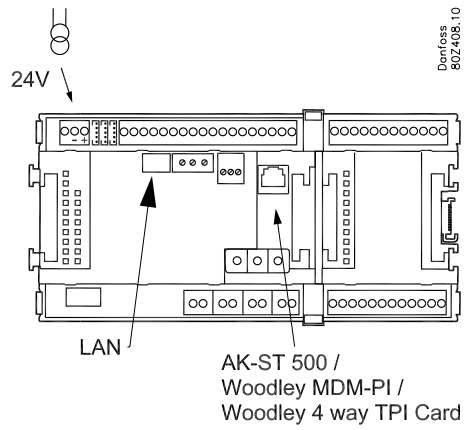
Transformer  
Class II 



The 24 V must not be shared by other controllers or units

The 24 V input must not have earth connection

Danfoss  
80Z206.11

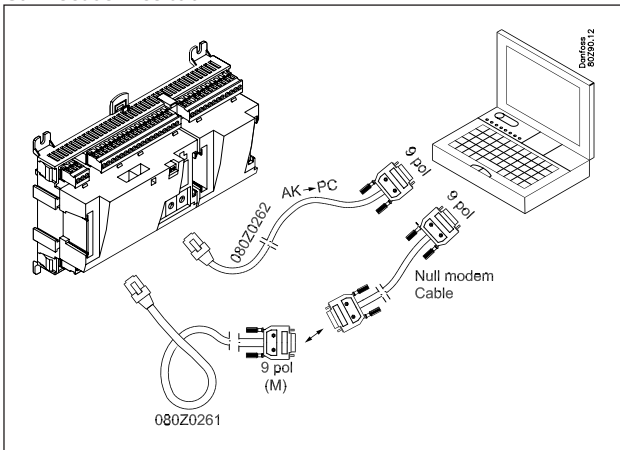


Danfoss  
80Z408.10

**Quick setup**

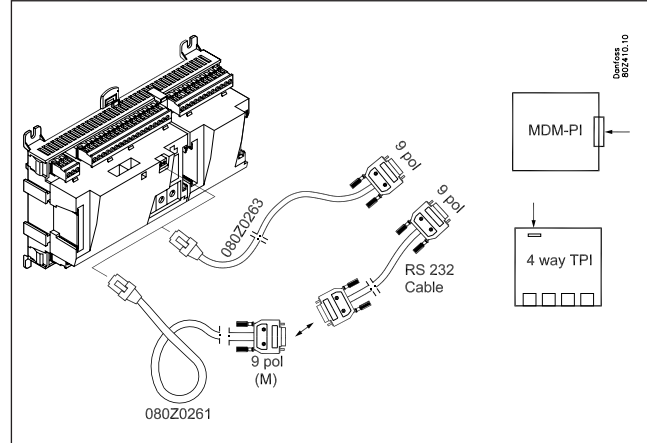
1. Address = 000 (Factory setting)

2. Connect service tool



Danfoss  
80Z00.12

6. Connect to Woodley 4 way TPI card. (WTP) or to Woodley MDM-PI (MDM)

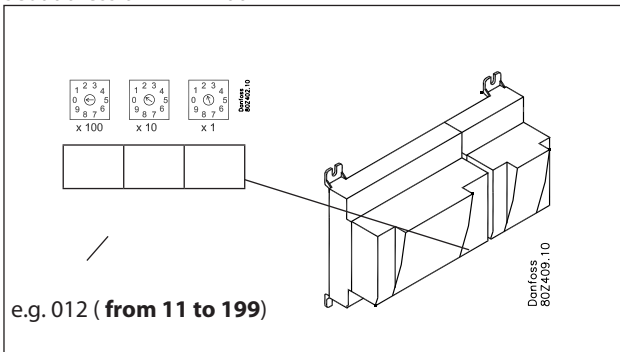


Danfoss  
80Z011.10

3. Configuration (IP and MDM/WTP). See manual.

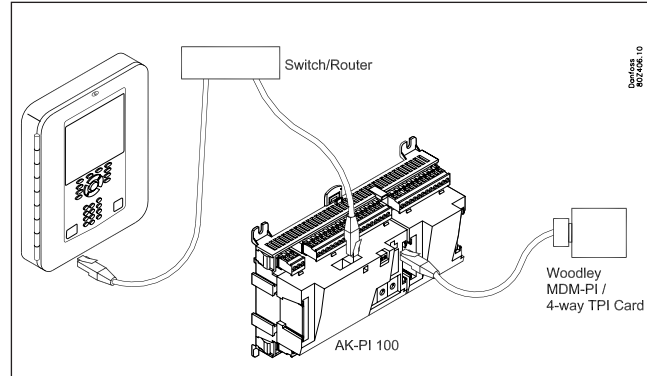
4. Disconnect service tool

5. Set address on AK-PI 100



Danfoss  
80Z409.10

7. Connect to AK-SC 255



Danfoss  
80Z008.10

8. AK-SC 255 configuration

- a) Ethernet
- b) I/O Network
- c) Rescan
- d) PI 100/ 200
- e) Mark PI-address
- f) Rescan
- g) Configuration /Refrigeration / Add controls / Setup

The Product contains electrical components  
And may not be disposed together with domestic waste.  
Equipment must be separate collected with Electrical and Elec-  
tronic waste.According to local and currently valid legislation.

**Further information !**  
**AK-PI 100 manual / AK-SC 255 manual**



DE-8D