

Check Valves

5CK30

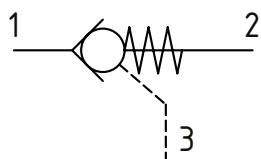
Pilot Operated Check Valve, Port 3 Pilot to Close

350 bar [5000 psi] • 30 l/min [8 US gpm]

DESCRIPTION AND OPERATION

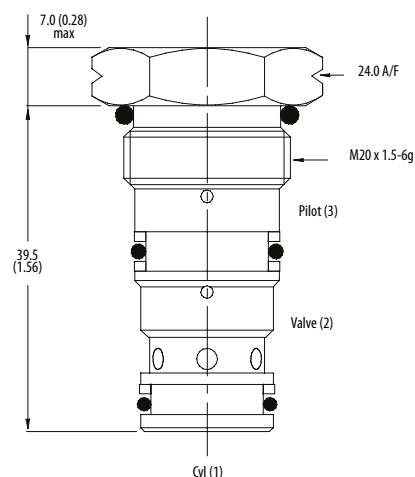
This is a pilot to close check valve where flow is blocked between port 2 and 1 and free flow takes place from port 1 to 2 until pilot pressure is applied to port 3.

SCHEMATIC



DIMENSIONS

mm [in]



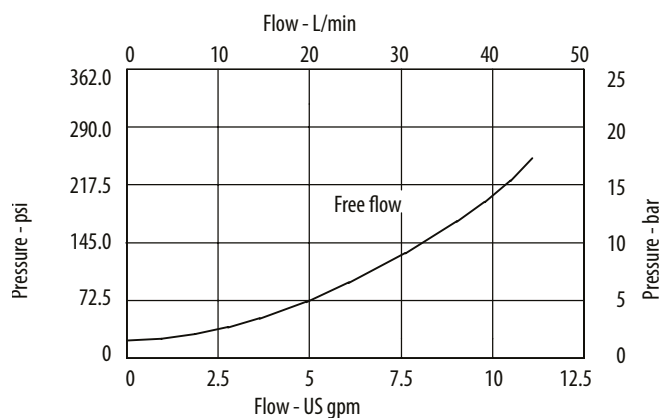
Installation torque
45 Nm [33 ft. lbs]

PERFORMANCE DATA

Rated pressure	350 bar [5000 psi]
Rated flow at 7 bar [100 psi]	30 l/min [8 US gpm]
Weight	0.08 kg [0.18 lbs]
Pilot Ratio	2:1
Leakage	0.3 ml/min nominal [5 dpm]
Cavity	A6610

PERFORMANCE CURVES

Pressure drop



MODEL CODE

5CK30 - 1 - 3W - S - 2 - 377

Basic Code

5CK30 - No Housing
5CK35 - Cartridge and housing

Pilot

1 - Internal

Housing

Code	Ports	Housing Model Code	
		Aluminum	Steel
Omit	No Housing		
3W	3/8" BSP 1/4" BSP Pilot Port	B6743	B12823
6T	3/8" SAE 1/4" SAE Pilot Port	B10536	
8T	1/2" SAE 1/4" Pilot Port		B11811

*Aluminum bodies are to be used for pressures less than 210 bar [3000 psi]
*Additional housings available

Housing Material

Omit - Aluminum/No housing
377 - Steel

Pilot Ratio

2-2:1

Seal Option

Code	Seal kit
S - Nitrile	SK829
SV - Viton	SK829V