

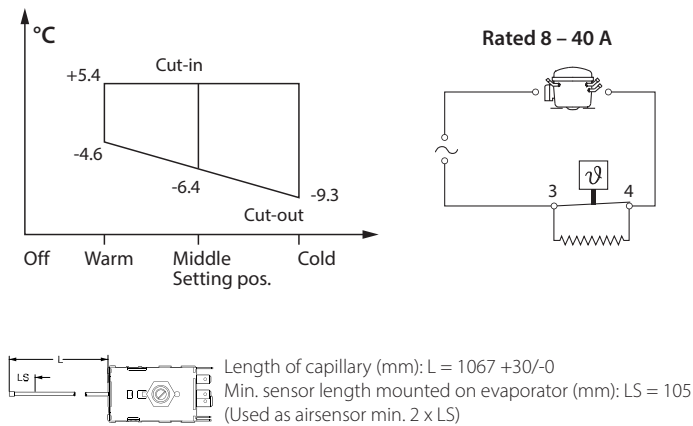
Installation guide

Service thermostats
Type **077B7**

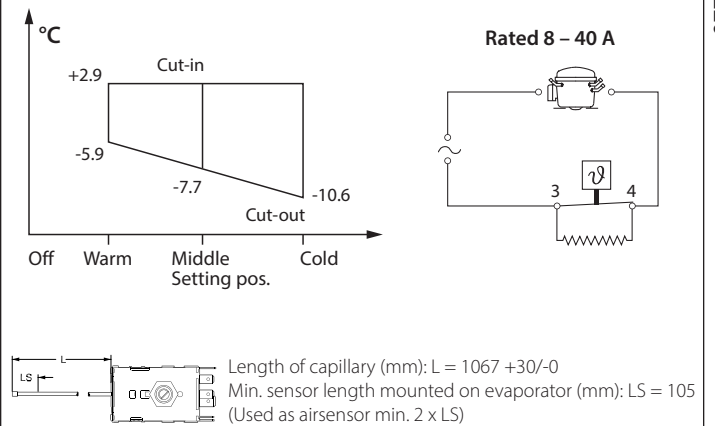


077R0702

Service thermostats 077B7060 - Commercial Refrigerators

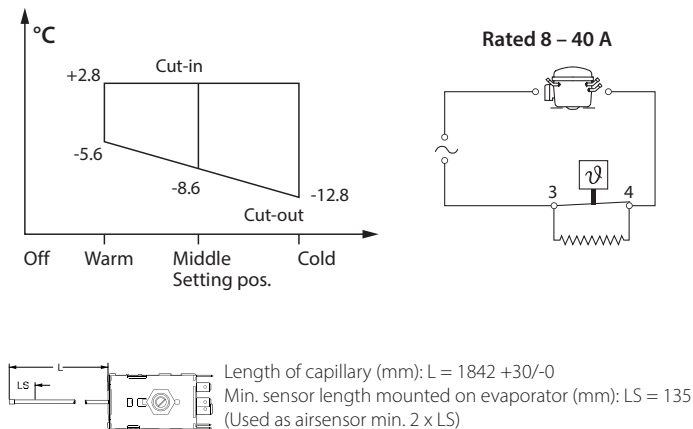


Service thermostats 077B7061 - Commercial Refrigerators

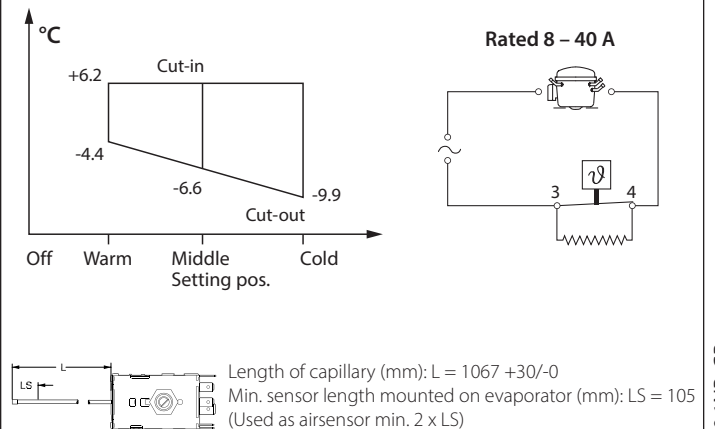


077R0702

Service thermostats 077B7062 - Commercial Refrigerators

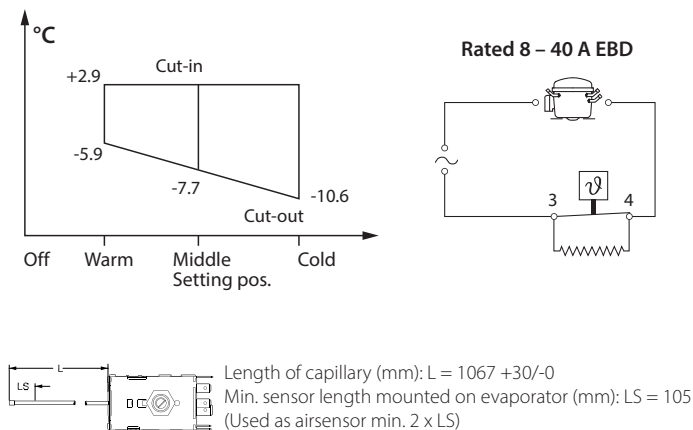


Service thermostats 077B7063 - Commercial Refrigerators

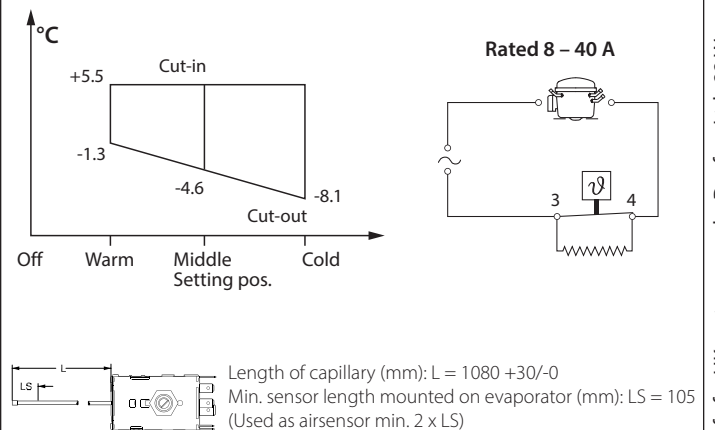


Імпортер: ТОВ з іі "Данфосс ТОВ" 04080, Київ 80, п/с 168, Україна

Service thermostats 077B7064 - Commercial Refrigerators

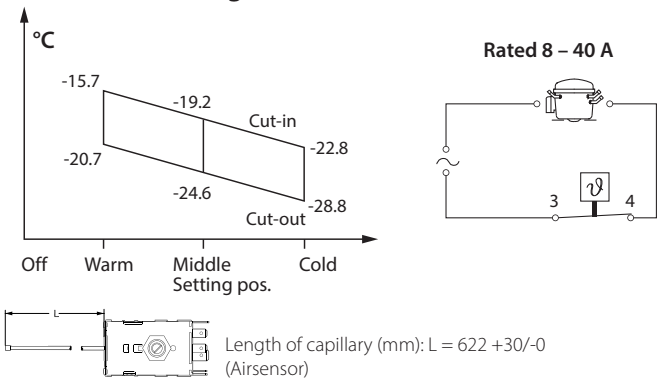


Service thermostats 077B7065 - Commercial Refrigerators

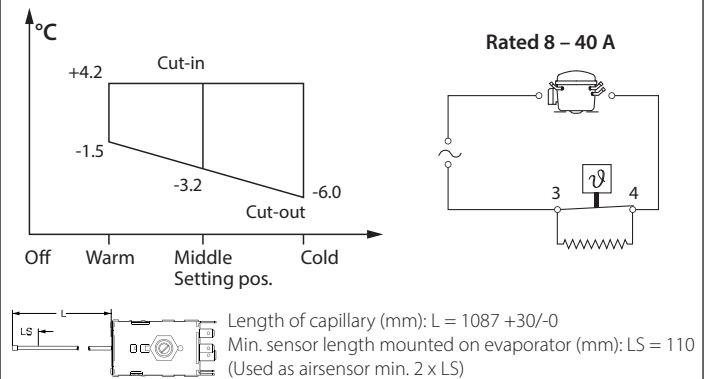


Info for UK customers only: Danfoss Ltd., 22 Wycombe End, HP9 1NB, GB

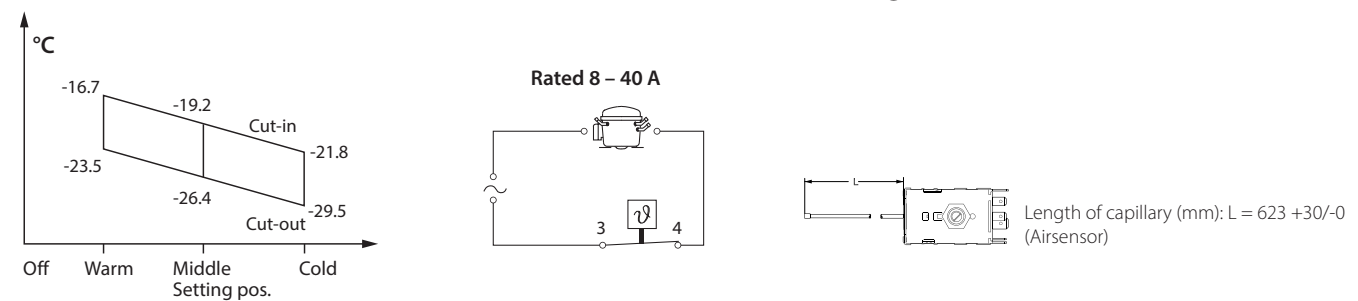
Service thermostats 077B7066 - Ice-cream cabinets and freezers without signal



Service thermostats 077B7067 - Commercial Refrigerators

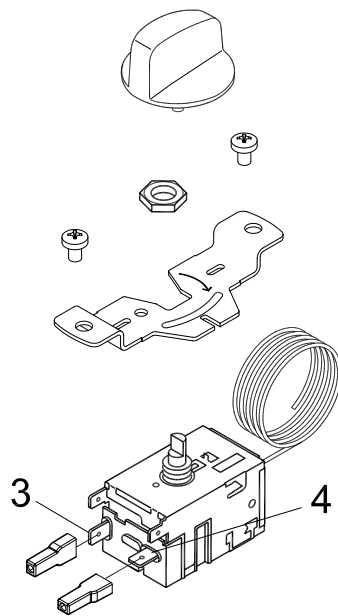


Service thermostats 077B7068 - Ice-cream cabinets and freezers without signal



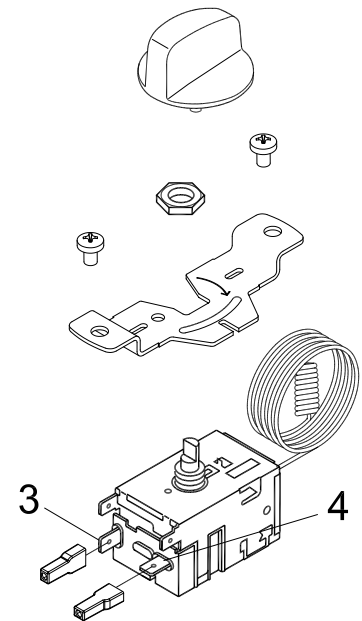
Accessories for

- 077B7060
- 077B7061
- 077B7062
- 077B7063
- 077B7064
- 077B7065
- 077B7067



Accessories for

- 077B7066
- 077B7068



The 077B...EBD, 077B...L EBD can be applied on systems with R290 and R600a as the working fluid. For countries where safety standards are not an indispensable part of the safety system Danfoss recommend the installer to get a third party approval of the system containing flammable refrigerant.

Note: All temperatures at 760 mm Hg

Danfoss A/S

Climate Solutions • danfoss.us • +1 888 326 3677 • heating.cs.na@danfoss.com

Any information, including, but not limited to information on selection of product, its application or use, product design, weight, dimensions, capacity or any other technical data in product manuals, catalogues descriptions, advertisements, etc. and whether made available in writing, orally, electronically, online or via download, shall be considered informative, and is only binding if and to the extent, explicit reference is made in a quotation or order confirmation. Danfoss cannot accept any responsibility for possible errors in catalogues, brochures, videos and other material. Danfoss reserves the right to alter its products without notice. This also applies to products ordered but not delivered provided that such alterations can be made without changes to form, fit or function of the product. All trademarks in this material are property of Danfoss A/S or Danfoss group companies. Danfoss and the Danfoss logo are trademarks of Danfoss A/S. All rights reserved.