



Flow Control Valves Technical Information

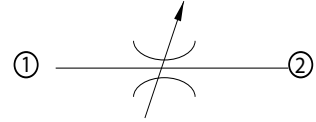
Needle Valve, Bi-Directional

CP610-2

OPERATION

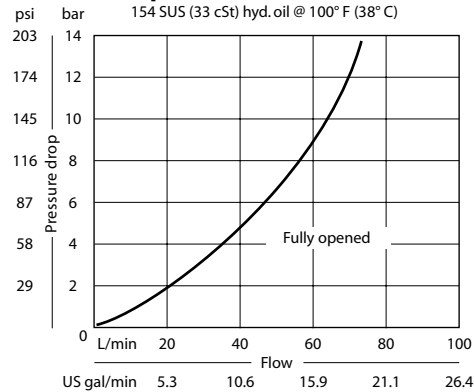
This valve is a non-pressure compensated, adjustable flow control valve.

Schematic



SPECIFICATIONS

Theoretical performance



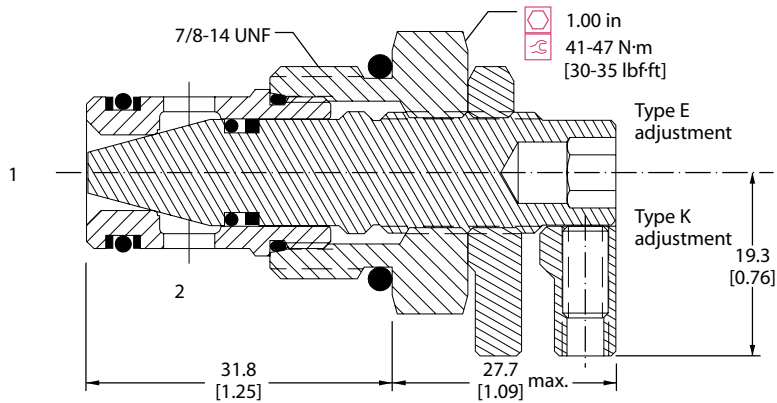
Specifications

Rated pressure	210 bar [3000 psi]
Rated flow at 7 bar [100 psi]	50 l/min [13 US gal/min]
Leakage	6 drops/min @ Rated pressure
Weight	0.13 kg [0.29 lb]
Cavity	SDC10-2

DIMENSIONS

mm in

Cross-sectional view



ORDERING INFORMATION

CP610-2-B-8S-K

Seals

B = Buna-N
V = Viton

Housing and ports

0 = No Housing
DG3B = AL, 3/8 BSP
DG4B = AL, 1/2 BSP
6S = AL, #6 SAE
8S = AL, #8 SAE
Other housings available

Seal kit
120073
120074

Housing P/N

No Housing
SDC10-2-DG-3B
SDC10-2-DG-4B
CP10-2-6S
CP10-2-8S

Adjustment option

E = External
K = Knob