

Solenoid Valves

SV7M-12-4P

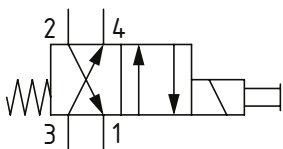
Solenoid Valve, 4-way, 2-position, Spool Type

210 bar [3000 psi] • 45 l/min [12 USgpm]

OPERATION AND DESCRIPTION

This is a 4-way, 2-position, spool type, direct acting solenoid valve. When de-energized, port 3 is open to 4 and port 2 to 1. In the energized condition, port 3 is open to 2 and port 4 to 1. These valves can be used to isolate a function when required. Always check the operating envelope to make sure the valve will work under the required application conditions.

SCHEMATIC



PERFORMANCE DATA

Rated Pressure	210 bar [3000 psi]
Flow Capability	45 l/min [12 USgpm]
Coil Options	R series
Weight	0.86 kg [1.9 lb]
Cavity	C-12-4

MODEL CODE

SV7M - 12 - V - 4P - A - 6G - 12D - N - R

Seal Option

Code	Seal kit
Omit - Buna - N	02-160980
V - Viton	02-160979

Housing Material

Omit - No housing
A - Aluminum
S - Steel

Housing

Code	Ports	Aluminum	Steel
0	No Housing		
6G	3/4" BSP	5986432-001	5991073-001
10T	#10 SAE	5986434-001	
12T	#12 SAE	5986436-001	
10H	#10 SAE		5991074-001
12H	#12 SAE		5991075-001

* Aluminum bodies are to be used for pressures less than 210 bar [3000 psi].

* Additional housings available

Coil Series

Omit - No coil
R - R series, 30W

Connector Type

Omit - No coil
N - Deutsch male, DT04-2P, integrated

Coil Voltage

Code	Coil Voltage
00	No Coil, nut included, (p/n 6036194-001)
12D	12 VDC
24D	24 VDC
12B	2VDC/w diode*
24B	24 VDC/w diode*

*Optional arc suppression diode

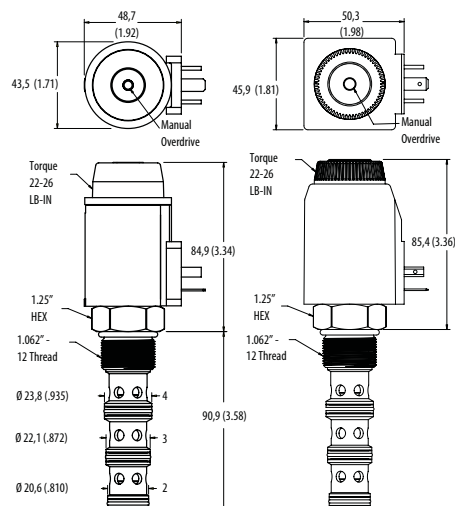
**Internally rectified

DIMENSIONS

mm [in]

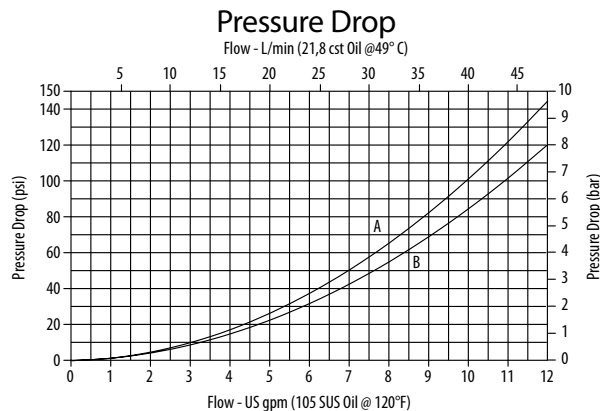
Coil nut torque

2.5-3 Nm [1.8-2.2 ft. lbs]



Installation torque
34-41 Nm [25-30 ft. lbs]

PERFORMANCE CURVES



A - Port 2 to 1, port 3 to 4 • B - Port 3 to 2, port 4 to 1