

# Solenoid Valves

## SV11-10-4

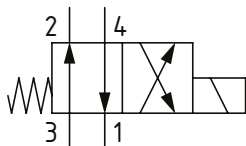
Solenoid Valve, 4-way, 2-position, Spool Type

350 bar [5000 psi] • 23 l/min [6 USgpm]

### OPERATION AND DESCRIPTION

This is a 4-way, 2-position, spool type, direct acting solenoid valve. In the de-energized, condition port 3 is open to 2 and port 4 to 1. When energized port 3 is open to 4 and port 2 to 1. These valves are used to control the movement of cylinders or motors able to reverse the motion. Always check the operating envelope to make sure the valve will work under the required application conditions.

### SCHEMATIC

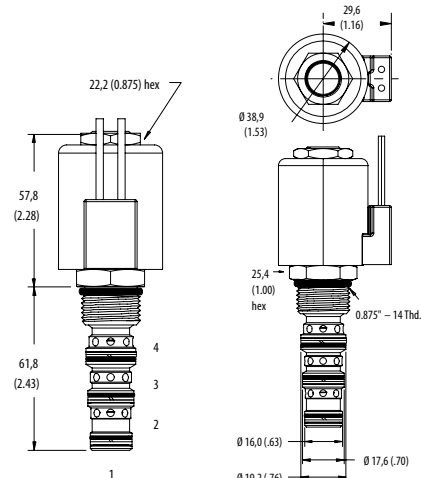


### DIMENSIONS

mm [in]

Coil nut torque  
5-8 Nm [4-6 ft. lbs]

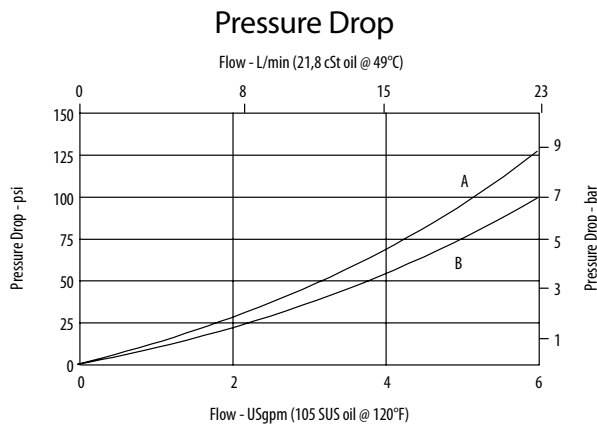
Installation torque  
68-75 Nm [50-55 ft. lbs]



### PERFORMANCE DATA

<b>Rated Pressure</b>	<b>350 bar [5000 psi]</b>
<b>Flow Capability</b>	<b>23 l/min [6 USgpm]</b>
<b>Leakage</b>	82 ml/min (5 in <sup>3</sup> /min) @ 350 bar [5000 psi]
<b>Coil Options</b>	H series
<b>Weight</b>	0.21 kg [0.46 lb]
<b>Cavity</b>	SDC10-4

### PERFORMANCE CURVES



### MODEL CODE

**SV11 - 10 - V - 4 - M - S - 2G - 12D - G - H**

<p><b>Seal Option</b></p> <table border="1"> <tr> <th>Code</th> <th>Seal kit</th> </tr> <tr> <td>Omit - Buna - N</td> <td>889625</td> </tr> <tr> <td>V - Viton</td> <td>566080</td> </tr> </table>	Code	Seal kit	Omit - Buna - N	889625	V - Viton	566080	<p><b>Coil Series</b></p> <p>Omit - No coil H - 10 series, 29 W</p>																												
Code	Seal kit																																		
Omit - Buna - N	889625																																		
V - Viton	566080																																		
<p><b>Manual Override Option</b></p> <p>Omit - No manual override M - Pull and Twist</p>	<p><b>Housing Material</b></p> <p>Omit - No Housing S - Steel</p>																																		
<p><b>Housing</b></p> <table border="1"> <thead> <tr> <th>Code</th> <th>Ports</th> <th>Steel</th> </tr> </thead> <tbody> <tr> <td>00</td> <td>No Housing</td> <td></td> </tr> <tr> <td>2G</td> <td>1/4" BSP</td> <td>02-175139</td> </tr> <tr> <td>3G</td> <td>3/8" BSP</td> <td>02-175140</td> </tr> <tr> <td>6T</td> <td>#6 SAE</td> <td>02-175137</td> </tr> <tr> <td>8T</td> <td>#8 SAE</td> <td>02-175138</td> </tr> </tbody> </table>	Code	Ports	Steel	00	No Housing		2G	1/4" BSP	02-175139	3G	3/8" BSP	02-175140	6T	#6 SAE	02-175137	8T	#8 SAE	02-175138	<p><b>Coil Voltage</b></p> <table border="1"> <thead> <tr> <th>Code</th> <th>Coil Voltage</th> </tr> </thead> <tbody> <tr> <td>00</td> <td>No Coil, nut included, (p/n 02-175698)</td> </tr> <tr> <td>12D</td> <td>12 VDC</td> </tr> <tr> <td>24D</td> <td>24 VDC</td> </tr> <tr> <td>115A</td> <td>115 VAC**</td> </tr> <tr> <td>230A</td> <td>230 VAC**</td> </tr> <tr> <td>12B</td> <td>2VDC/w diode*</td> </tr> <tr> <td>24B</td> <td>24 VDC/w diode*</td> </tr> </tbody> </table>	Code	Coil Voltage	00	No Coil, nut included, (p/n 02-175698)	12D	12 VDC	24D	24 VDC	115A	115 VAC**	230A	230 VAC**	12B	2VDC/w diode*	24B	24 VDC/w diode*
Code	Ports	Steel																																	
00	No Housing																																		
2G	1/4" BSP	02-175139																																	
3G	3/8" BSP	02-175140																																	
6T	#6 SAE	02-175137																																	
8T	#8 SAE	02-175138																																	
Code	Coil Voltage																																		
00	No Coil, nut included, (p/n 02-175698)																																		
12D	12 VDC																																		
24D	24 VDC																																		
115A	115 VAC**																																		
230A	230 VAC**																																		
12B	2VDC/w diode*																																		
24B	24 VDC/w diode*																																		

**Connector Type**

Omit - No coil  
G - ISO 4400 DIN 43650  
Q - Spade terminals  
W - Flying lead  
N - Deutsch (DC only)  
Y - Amp JR (DC only)  
D - Metripack 150 male DC only  
J - Metripack 280 male (DC only)

\*Optional arc suppression diode  
\*\*Internally rectified  
\*\*\*Other voltage options available

\* Aluminum bodies are to be used for pressures less than 210 bar [3000 psi].  
\* Additional housings available