

# Proportional Valves

## PSVP16-NCR

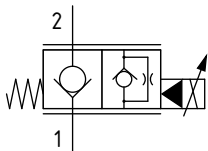
Proportional Flow Control Valve, Poppet Type, Normally Closed, Pilot Operated, Non-Compensated

260 bar [3800 psi] • 176 l/min [46 US gpm]

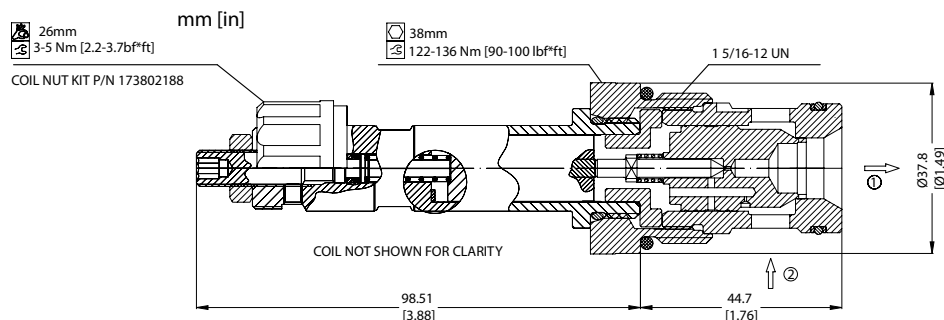
### DESCRIPTION AND OPERATION

This is a 2-way, poppet type, normally closed, pilot operated non-compensated proportional valve. In the de-energized condition, flow is blocked from port 2 to 1 but free flow from port 1 to 2. Energizing the coil will proportionally lift the poppet off its seat opening port 2 to 1, while flow from port 1 to 2 will remain restricted. Used in conjunction with a compensator, the valve will act as the control orifice for a pressure compensated flow control.

### SCHEMATIC



### DIMENSIONS

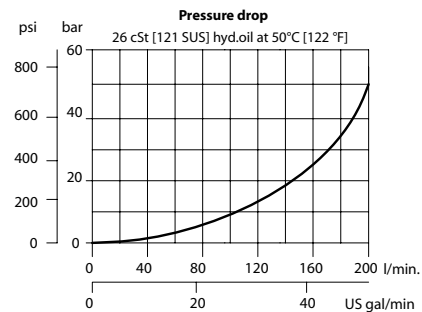
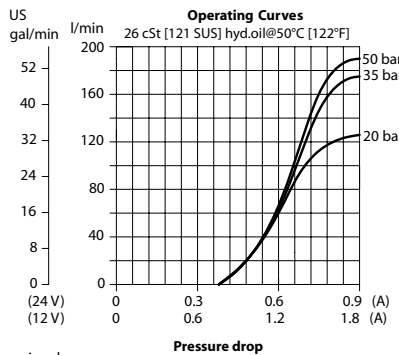


### PERFORMANCE DATA

Rated pressure*	260 bar [3800 psi]
Rated flow @ 35 bar [500 psi]	176 l/min [46 US gpm]
Leakage	6 drops/min @ rated pressure
Maximum Hysteresis	8%
Threshold current	0.8 [12 VDC coil] 0.4 [24 VDC coil]
Maximum control current	1.8 [12 VDC coil] 0.9 [24 VDC coil]
Coil Options	M19P
Weight	0.85 kg [1.87 lb]
Cavity	SDC16-2

\*Rated pressure based on NFPA fatigue test standards (at 1 million cycles)

### PERFORMANCE CURVES



### MODEL CODE

**PSVP16 - NCR - 12D - DE - B - 00**

#### Coil Voltage

00 - No coil, nut included\*  
12D - 12 VDC  
24D - 24 VDC

\*Standard Coil - Plastic coil nut and o-rings (p/n 173802188)

#### Connector Type

00 - No coil  
AJ - AMP Junior  
DE - Deutsch  
DN - DIN 43650

#### Housing

Code	Ports & Material	Housing Model Code
00	No Housing	
DG6B	AL, 3/4 BSP	SDC16-2-DG-6B
DG8B	AL, 1 BSP	SDC16-2-DG-8B
12S	AL, #12 SAE	CP16-2-12S
16S	AL, #16 SAE	CP16-2-16S

\* Aluminum bodies are to be used for pressures less than 210 bar [3000 psi].

\* Additional housings available

#### Seal Option

Code	Seal kit
B - Buna - N	354008719
V - Viton	354008819