



■ Features

- Universal AC input / Full range
- High efficiency up to 91%
- No load power consumption <0.15W
- Comply with EU ErP and CoC Version 5
- Protections: Short circuit / Overload / Over voltage / Over temperature
- Class II power unit, no FG
- Fully isolated plastic case
- Fanless design, cooling by free air convection
- Various DC plug quick adapter accessory available (Plug kit sold sperately, please refer to : https://www.meanwell.com/upload/pdf/DC_plug.pdf)
- 5 years warranty

■ Applications

- Robotic lawn mower
- Household appliance
- Battery charging
- General electronic products in dusty or humid environment

■ GTIN CODE

MW Search: <https://www.meanwell.com/serviceGTIN.aspx>

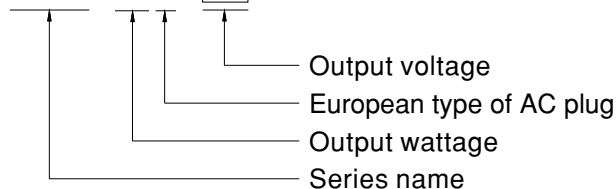
■ Description

OWA-60E is a 60W AC/DC, class II (no FG) external power supply series pinpointing the moistureproof feature. The fully-potted silicone inside the plastic enclosure enhances the heat dissipation; it also benefits that the power body of OWA-60E achieves IP67 level so that this series specializes the application in which the damp, humidity or dust resistance is needed for the external power supply. OWA-60E follows the latest energy efficiency demand, and is compliant with EU ErP and meets Code of Conduct(CoC) Version 5; the no load power consumption is less than 0.15W. It is certified with EN 61558-2-16; moreover, the compliance to EN 60335-1 for selected models can greatly simplify the system design such as household appliances.

OWA-60E adopts the universal input range from 90VAC to 264VAC. With the working efficiency up to 91%, OWA-60E is cooled by free air convection; the working temperature ranges from -35°C to +70°C.

■ Model Encoding

OWA - 60E - 12

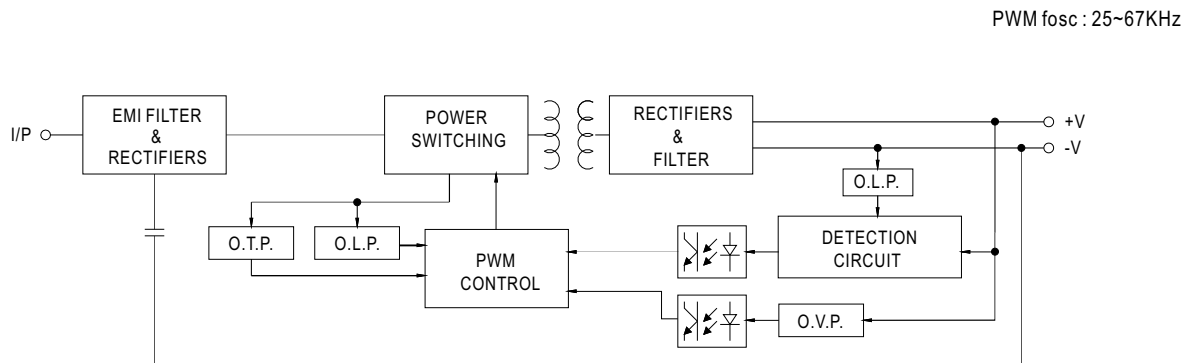




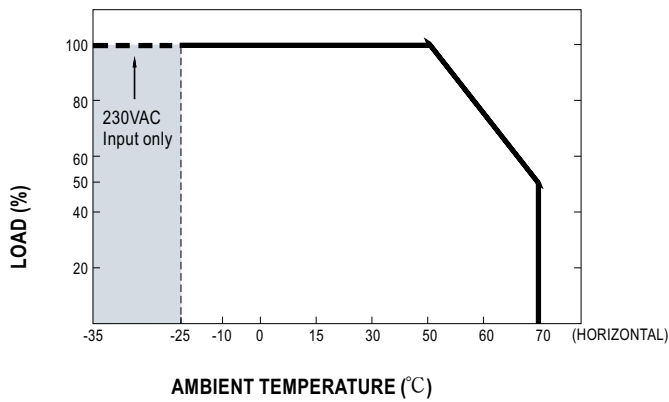
SPECIFICATION

| MODEL | | OWA-60E-12 | OWA-60E-15 | OWA-60E-20 | OWA-60E-24 | OWA-60E-30 | OWA-60E-36 | OWA-60E-42 | OWA-60E-48 | OWA-60E-54 | |
|------------------|--|--|------------|-----------------|------------|----------------------|------------|------------|------------|------------|--|
| OUTPUT | DC VOLTAGE | 12V | 15V | 20V | 24V | 30V | 36V | 42V | 48V | 54V | |
| | RATED CURRENT | 5A | 4A | 3A | 2.5A | 2A | 1.67A | 1.5A | 1.25A | 1.12A | |
| | RATED POWER | 60W | 60W | 60W | 60W | 60W | 60.12W | 63W | 60W | 60.48W | |
| | RIPPLE & NOISE (max.) Note.2 | 150mVp-p | 150mVp-p | 150mVp-p | 150mVp-p | 200mVp-p | 200mVp-p | 250mVp-p | 250mVp-p | 350mVp-p | |
| | VOLTAGE TOLERANCE Note.3 | ±4.0% | ±4.0% | ±4.0% | ±3.0% | ±3.0% | ±2.0% | ±1.0% | ±1.0% | ±1.0% | |
| | LINE REGULATION | ±1.0% | ±1.0% | ±1.0% | ±1.0% | ±1.0% | ±1.0% | ±1.0% | ±1.0% | ±1.0% | |
| | LOAD REGULATION | ±1.5% | ±1.0% | ±1.0% | ±1.0% | ±1.0% | ±1.0% | ±1.0% | ±1.0% | ±1.0% | |
| | SETUP, RISE TIME Note.4 | 500ms, 80ms/230VAC 1000ms, 80ms/115VAC at 95% load | | | | | | | | | |
| | HOLD UP TIME (Typ.) | 10ms at full load 115VAC / 230VAC | | | | | | | | | |
| INPUT | VOLTAGE RANGE | 90 ~ 264VAC | | 127 ~ 370VDC | | | | | | | |
| | FREQUENCY RANGE | 47 ~ 63Hz | | | | | | | | | |
| | EFFICIENCY (Typ.) | 88% | 89% | 89% | 90% | 90% | 90% | 90% | 91% | 91% | |
| | AC CURRENT (Typ.) | 1.2A / 115VAC | | 0.7A / 230VAC | | | | | | | |
| | INRUSH CURRENT (Typ.) | COLD START 65A(twidth=750μs measured at 50% Ipeak) at 230VAC | | | | | | | | | |
| | LEAKAGE CURRENT | <0.25mA / 240VAC | | | | | | | | | |
| PROTECTION | OVERLOAD | 105 ~ 115% | | | | | | | | | |
| | | Protection type : Hiccup mode, recovers automatically after fault condition is removed | | | | | | | | | |
| | SHORT CIRCUIT | Hiccup mode, recovers automatically after fault condition is removed | | | | | | | | | |
| | OVER VOLTAGE | 14 ~ 16V | 17.5 ~ 23V | 23 ~ 27V | 28 ~ 34V | 34 ~ 40V | 41 ~ 50V | 46 ~ 54V | 53 ~ 62V | 58 ~ 66V | |
| | | Protection type : Shut down o/p voltage, re-power on to recover | | | | | | | | | |
| OVER TEMPERATURE | Shut down o/p voltage, re-power on to recover | | | | | | | | | | |
| ENVIRONMENT | WORKING TEMP. | -35 ~ +70°C (Refer to "Derating Curve") | | | | | | | | | |
| | WORKING HUMIDITY | 20 ~ 95% RH non-condensing | | | | | | | | | |
| | STORAGE TEMP., HUMIDITY | -40 ~ +80°C, 10 ~ 95% RH | | | | | | | | | |
| | TEMP. COEFFICIENT | ±0.03%/°C (0 ~ 50°C) | | | | | | | | | |
| | VIBRATION | 10 ~ 500Hz, 5G 12min./1cycle, period for 72min. each along X, Y, Z axes | | | | | | | | | |
| SAFETY & EMC | SAFETY STANDARDS | EN61558-1,-2-16; EN60335-1 (except for OWA-60E-48,54); EAC TP TC 004, IP67(for power body) approved | | | | | | | | | |
| | WITHSTAND VOLTAGE | I/P-O/P:3.75KVAC | | | | | | | | | |
| | ISOLATION RESISTANCE | I/P-O/P:100M Ohms / 500VDC / 25°C / 70% RH | | | | | | | | | |
| | EMC EMISSION | Compliance to EN55032 (CISPR32) Class B, EN55014-1,EN61000-3-2 class A, EN61000-3-3;EAC TP TC 020 | | | | | | | | | |
| EMC IMMUNITY | Compliance to EN61000-4-2,3,4,5,6,8,11, EN55035, EN55014-2, light industry level (surge L- N : 2KV),EAC TP TC 020 | | | | | | | | | | |
| OTHERS | MTBF | 4386.2K hrs min. Telcordia SR-332 (Bellcore) | | 522.9K hrs min. | | MIL-HDBK-217F (25°C) | | | | | |
| | DIMENSION | 130*53*35mm | | | | | | | | | |
| | PACKING | 0.41Kg; 16pcs/11Kg/0.85CUFT | | | | | | | | | |
| NOTE | <p>1. All parameters NOT specially mentioned are measured at 230VAC input, rated load and 25°C of ambient temperature.</p> <p>2. Ripple & noise are measured at 20MHz of bandwidth by using a 12" twisted pair-wire terminated with a 0.1uf & 47uf parallel capacitor.</p> <p>3. Tolerance : includes set up tolerance, line regulation and load regulation.</p> <p>4. Length of set up time is measured at cold first start. Turning ON/OFF the power supply may lead to increase of the set up time.</p> <p>※ Product Liability Disclaimer : For detailed information, please refer to https://www.meanwell.com/serviceDisclaimer.aspx</p> | | | | | | | | | | |

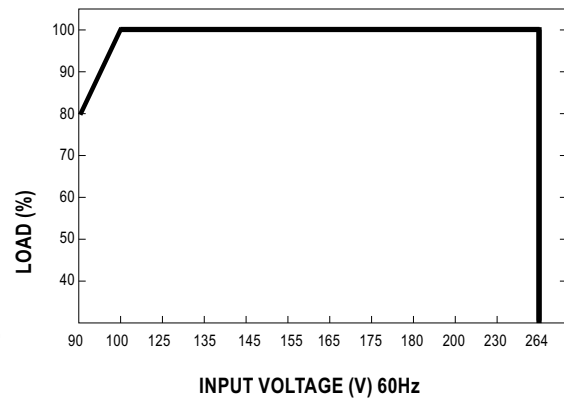
Block Diagram



Derating Curve

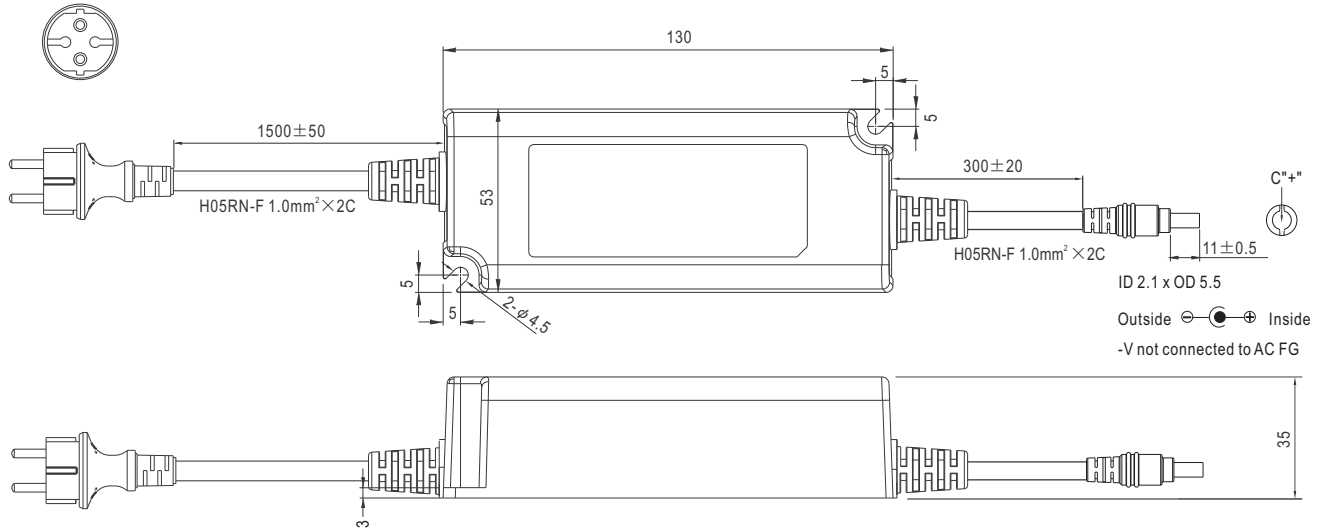


Static Characteristics



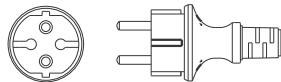
■ Mechanical Specification

CASE NO.: OWA-60 Unit:mm



■ Input Plug Type

All standard models : CEE 7/7



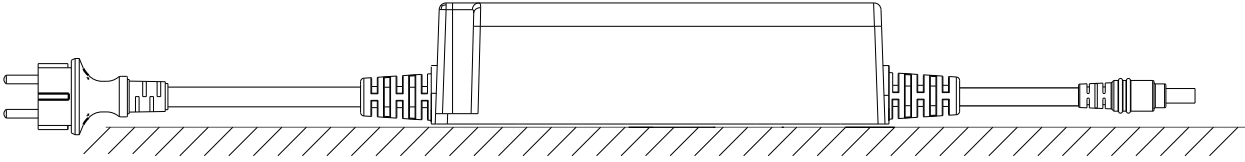
■ Output Plug Assignment

| Model Category | Plug Description | Plug Picture | PIN NO. | OUTPUT |
|--------------------|---|------------------------|---------|--------|
| For standard model | 2.1φ x 5.5φ x 11 mm, center +, tuning fork type | Outside ⊖ ⊕ Inside | CENTER | +V |
| For optional model | Lumberg 3611 03, or equivalent | | 1 | +V |
| | | | 2 | floate |
| | | | 3 | -V |
| For optional model | XLR 3P, NEUTRIK NC3MX, or equivalent | | 1 | +V |
| | | | 2,3 | -V |
| For optional model | XLR 4P, NEUTRIK NC4MX, or equivalent | | 1,2 | +V |
| | | | 3,4 | -V |
| For optional model | CHOGORI 22002411-01 or equivalent | | 1 | +V |
| | | | 2 | -V |
| For optional model | Unicable UT-D170F4-2P or equivalent | | 1 | +V |
| | | | 2 | -V |
| For optional model | Unicable UT-D224-2P or equivalent | | 1 | +V |
| | | | 2 | -V |

※ For details, please contact MEAN WELL.



■ Recommend Mounting Direction



■ Installation Manual

Please refer to : <http://www.meanwell.com/manual.html>