



■ Features :

- 2:1 wide input range
- 4:1 wide input range(option)
- 1500VDC I/O isolation
- 3000VDC I/O isolation(option)
- Built-in EMI filter
- Protections: Short circuit / Overload
- Cooling by free air convection
- Six-sided shield metal case
- 100% burn-in test
- Low cost / High reliability
- Approvals: FCC / EAC / CE / UKCA
- 2 years warranty

■ GTIN CODE

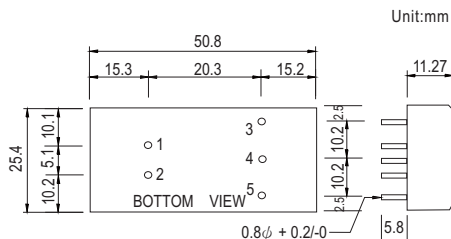
MW Search: <https://www.meanwell.com/serviceGTIN.aspx>



SPECIFICATION

ORDER NO.	DLW05A-05	DLW05B-05	DLW05C-05	DLW05A-12	DLW05B-12	DLW05C-12	DLW05A-15	DLW05B-15	DLW05C-15		
OUTPUT	DC VOLTAGE			±5V			±12V			±15V	
	CURRENT RANGE			±50 ~ ±500mA			±20.8 ~ ±208mA			±16.7 ~ ±167mA	
	RATED POWER										5W
	RIPPLE & NOISE (max.) ^{Note.2}			50mVp-p			60mVp-p			60mVp-p	
	LINE REGULATION ^{Note.3}			±0.2%							
	LOAD REGULATION ^{Note.4}			±0.5%							
	VOLTAGE ACCURACY										±2.0%
	SWITCHING FREQUENCY										50KHz min.
INPUT	VOLTAGE RANGE										A: 9 ~ 18VDC B: 18 ~ 36VDC C: 36 ~ 72VDC
	EFFICIENCY (Typ.)										75% 77% 77% 80% 82% 83% 81% 83% 85%
	DC CURRENT										Full load A: 556mA B: 270mA C: 135mA No load A: 33mA B: 16mA C: 10mA
	FILTER										Pi network
	PROTECTION										Fuse recommended
PROTECTION (Note. 5)	OVERLOAD										160 ~ 250% rated output power Protection type : Hiccup mode, recovers automatically after fault condition is removed
	SHORT CIRCUIT										All output equipped with short circuit Protection type : Hiccup mode, recovers automatically after fault condition is removed
ENVIRONMENT	WORKING TEMP.										-25 ~ +71°C (Refer to "Derating Curve")
	WORKING HUMIDITY										20% ~ 90% RH non-condensing
	STORAGE TEMP., HUMIDITY										-25 ~ +105°C, 10 ~ 95% RH
	TEMP. COEFFICIENT										±0.03% / °C (0 ~ 50°C)
	VIBRATION										10 ~ 500Hz, 2G 10min./1 cycle, period for 60min. each along X, Y, Z axes
SAFETY & EMC	SAFETY STANDARDS										EAC TP TC 020/2011 approved
	WITHSTAND VOLTAGE										I/P-O/P: 1.5KVDC
	ISOLATION RESISTANCE										I/P-O/P: 100M Ohms / 500VDC / 25°C / 70% RH
	EMC EMISSION										Compliance to BS EN/EN55032 Class B, FCC part 15 Class B, EAC TP TC 020
OTHERS	EMC IMMUNITY										Compliance to BS EN/EN61000-4-2,3,4,5,6,8, light industry level, criteria A, EAC TP TC 020
	MTBF										800khrs min. MIL-HDBK-217F(25°C)
DIMENSION										50.8*25.4*11.27mm or 2.0"*1.0"*0.44" inch (L*W*H)	
PACKING										31.2g ; 10pcs/per tube, 400pcs/40 tube/per carton	

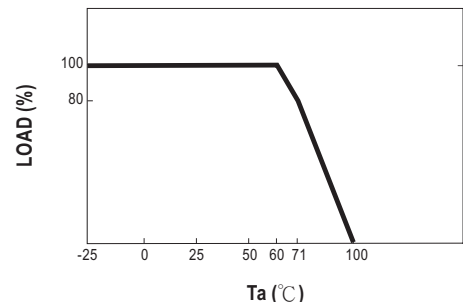
■ Mechanical Specification



■ Pin Configuration

Pinno.	Output Dual
1	+Vin
2	-Vin
3	+Vout
4	COM
5	-Vout

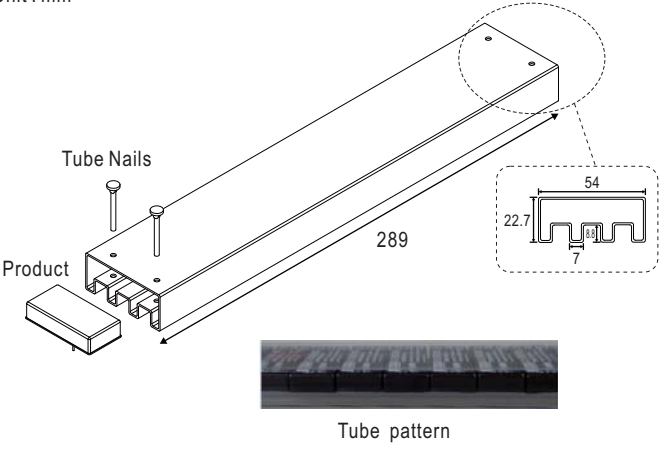
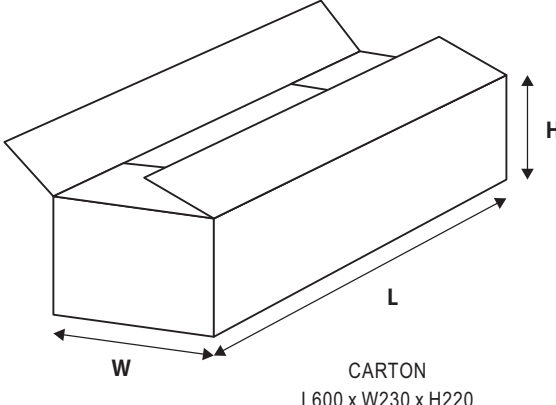
■ Derating Curve



NOTE

- 1.All parameters are specified at normal input, rated load, 25°C 70% RH ambient.
 - 2.Ripple & noise are measured at 20MHz by using a 12" twisted pair terminated with a 0.1uf & 47uf capacitor.
 - 3.Line regulation is measured from low line to high line at rated load.
 - 4.Load regulation is measured from 10% to 100% rated load.
 - 5.Please prevent the converter from operating in overload or short circuit condition for more than 30 seconds.
- ※ Product Liability Disclaimer : For detailed information, please refer to <https://www.meanwell.com/serviceDisclaimer.aspx>

■ Packing

Standard Tube Packing	MPQ Per Tube (PCS)	One Tube G.W.	Max. Q'TY/ Carton(PCS)	One Carton G.W.
<p>Unit : mm</p>  <p>Tube Nails</p> <p>Product</p> <p>289</p> <p>54</p> <p>22.7</p> <p>7</p> <p>Tube pattern</p>  <p>CARTON L600 x W230 x H220</p>	10	400g	400	16.8Kg

■ Installation Manual

Please refer to : <http://www.meanwell.com/manual.html>