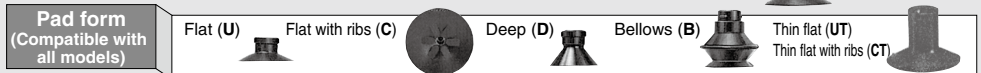
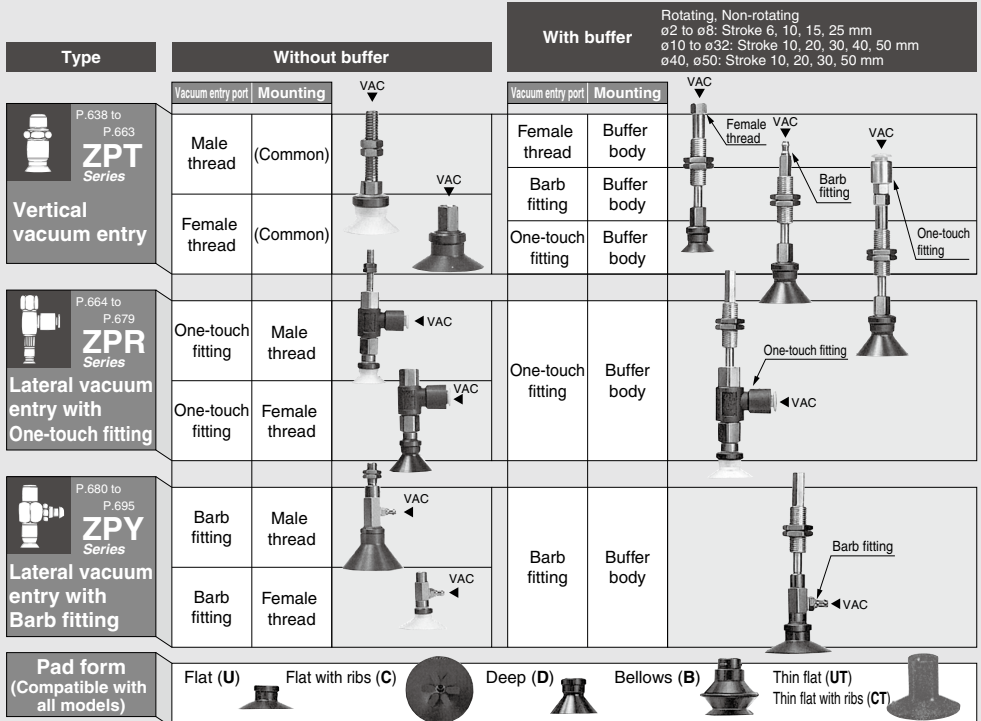
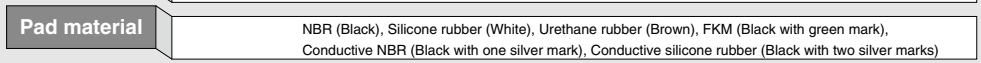


Vacuum Pad

ZP Series



Pad diameter	2 x 4	3.5 x 7	4 x 10	ø2	ø4	ø6	ø8	ø10	ø13	ø16	ø20	ø25	ø32	ø40	ø50
Flat	●	●	●	●	●	●	●	●	●	●	●	●	●	●	●
Flat with ribs	—	—	—	—	—	—	—	—	—	—	—	—	—	—	—
Deep	—	—	—	—	—	—	—	●	●	●	●	●	●	●	●
Bellows	—	—	—	—	—	●	●	●	●	●	●	●	●	●	●
Thin flat	—	—	—	—	—	—	—	—	—	—	—	—	—	—	—
Thin flat with ribs	—	—	—	—	—	—	—	—	—	—	—	—	—	—	—



Pad selection Refer to the vacuum equipment model selection on pages 25 to 48 for the calculation of lift force and response time.

Pad Material and Characteristics ⊙: Little or no influence ○: Can be used depending on conditions X: Not suitable

Material	Characteristics	Durometer HS (±5°)	Operating temperature range (°C)	Oil resistance gasoline	Oil resistance benzol	Base resistance	Acid resistance	Weatherability	Ozone resistance	Abrasion resistance	Waterproof	Solvent resistance (Benzene, toluene)
NBR		A50/S	0 to 120	⊙	x	○	○	x	x	○	○	x
Silicone rubber		A40/S	-30 to 200	x	x	○	x	⊙	⊙	x	○	x
Urethane rubber		A60/S	0 to 60	⊙	x	x	x	○	⊙	⊙	x	x
FKM		A60/S	0 to 250	⊙	⊙	x	⊙	⊙	⊙	○	⊙	⊙
Conductive NBR		A50/S	0 to 100	○	x	○	x	○	x	○	○	x
Conductive silicone rubber		A50/S	-10 to 200	x	x	○	x	⊙	⊙	x	○	x

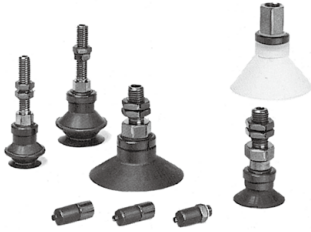
* The above table covers only general characteristics of subject rubber materials. Pad materials used by SMC pass the JIS standards; however the actual performance depends on operating conditions.

ZP3
ZP3E
ZP2
ZP2V
ZP
ZPT
ZPR
XT661



Vacuum Pad/ Vertical Vacuum Entry Without Buffer

ZPT Series



Specifications

Vacuum entry	Direction		Vertical	
	Connection		Male thread	Female thread
	Thread diameter	$\phi 2$ to $\phi 8$ Elliptic (2 x 4, 3.5 x 7, 4 x 10) Thin section series ($\phi 10$ to $\phi 16$)	M5 x 0.8, M6 x 1	M4 x 0.7, M5 x 0.8
		$\phi 10$ to $\phi 16$	M5 x 0.8, M6 x 1	M5 x 0.8, M6 x 1 1/8 (Rc, NPT, NPTF)
		$\phi 20$ to $\phi 32$	M6 x 1, M8 x 1	M5 x 0.8, M6 x 1, M8 x 1.25 1/8 (Rc, NPT, NPTF)
$\phi 40, \phi 50$		M6 x 1, M8 x 1	M6 x 1, M8 x 1.25 1/8 (Rc, NPT, NPTF)	
Mounting		Use connection for vacuum entry		

Pad Type

Pad form	Flat	Flat with ribs	Deep	Bellows	Thin flat/Thin flat with ribs
Pad diameter (mm)	2, 4, 6, 8, 2 x 4, 3.5 x 7, 4 x 10, 10, 13, 16, 20, 25, 32, 40, 50	10, 13, 16, 20, 25, 32, 40, 50	10, 16, 25, 40	6, 8, 10, 13, 16, 20, 25, 32, 40, 50	10, 13, 16
Material (Color)	NBR (Black), Silicone rubber (White), Urethane rubber (Brown), FKM (Black with green mark) Conductive NBR (Black with one silver mark), Conductive silicone rubber (Black with two silver marks)				
Durometer	NBR (A50/S), Silicone rubber (A40/S), Urethane rubber/FKM (A60/S) Conductive NBR (A50/S), Conductive silicone rubber (A50/S)				

Weight/Male Thread (Female thread)

(g)

Model	Flat				Flat with ribs				Deep				Bellows					
	M4	M5	M6	M8	$\square \frac{1}{2}$	M5	M6	M8	$\square \frac{1}{2}$	M5	M6	M8	$\square \frac{1}{2}$	M4	M5	M6	M8	$\square \frac{1}{2}$
ZPT2004 3507 4010 ZPT02 to 08 Thin section series 10 to 16	— (3.5)	2.5 (3)	3.5 (—)	—	—	—	—	—	—	—	—	—	—	— (3.5) (2.5x4)	2.5 (3) (2.5x4)	3.5 (—) (2.5x4)	—	—
ZPT10	—	10 (6.5)	12 (6)	— (13)	— (6.5)	12 (6)	— (12)	—	10 (7)	12 (6)	— (13)	—	—	—	10 (6.5)	12 (6)	— (13)	—
ZPT13	—	—	—	—	—	—	—	—	—	—	—	—	—	—	—	—	—	—
ZPT16	—	—	—	—	—	—	—	—	11 (7)	15 (7)	15 (13)	—	—	—	—	—	—	—
ZPT20	—	—	—	—	—	—	—	—	—	—	—	—	—	—	—	—	—	—
ZPT25	—	8.5 (8)	15 (17)	26 (16)	— (8.5)	15 (8)	26 (17)	— (16)	— (10)	15 (10)	15 (18)	— (17)	—	—	8.5 (8)	15 (8)	16 (17)	— (16)
ZPT32	—	—	—	—	—	—	—	—	—	—	—	—	—	—	—	—	—	—
ZPT40	—	—	28 (26)	30 (25)	— (23)	—	28 (26)	30 (25)	— (16)	—	30 (28)	32 (26)	— (20)	—	—	28 (26)	30 (25)	— (23)
ZPT50	—	—	30 (29)	32 (27)	— (25)	—	32 (30)	34 (29)	— (27)	—	—	—	—	—	—	30 (29)	32 (27)	— (25)

* () : Figures for female thread connections

How to Order

ZPT Series
Without buffer

ZPT **02** **U** **N** - **A5**

Pad dia. (mm) Pad type Material Vacuum entry port

Pad diameter

2004	2 x 4
3507	3.5 x 7
4010	4 x 10
02	ø2
04	ø4
06	ø6
08	ø8
10	ø10
13	ø13
16	ø16
20	ø20
25	ø25
32	ø32
40	ø40
50	ø50

Vacuum entry/Mounting thread diameter

Connection	Symbol	Thread diameter	ø2 to ø8	ø10 to ø16	ø20 to ø32	ø40, ø50
			2 x 4, 3.5 x 7, 4 x 10 ø10 to ø16 (Thin section series)			
Male thread	A5	M5 x 0.8	●	●	—	—
	A6	M6 x 1	●	●	●	●
	A8	M8 x 1	—	—	—	●
Female thread	B4	M4 x 0.7	●	—	—	—
	B5	M5 x 0.8	●	●	—	—
	B6	M6 x 1	—	●	●	●
	B8	M8 x 1.25	—	—	●	●
	B01	Rc 1/8	—	●	●	●
	N01	NPT 1/8	—	●	●	●
	T01	NPTF 1/8	—	●	●	●

Pad type

(Refer to "Table (1)" for applications.)

U	Flat
C	Flat with ribs
D	Deep
B	Bellows
UT	Thin flat
CT	Thin flat with ribs

Table (1) Pad Diameter/Pad Type

Type	Diameter														
	2 x 4	3.5 x 7	4 x 10	ø2	ø4	ø6	ø8	ø10	ø13	ø16	ø20	ø25	ø32	ø40	ø50
Flat	●	●	●	●	●	●	●	●	●	●	●	●	●	●	●
Flat with ribs	—	—	—	—	—	—	—	●	●	●	●	●	●	●	●
Deep	—	—	—	—	—	—	—	—	●	●	●	●	●	●	●
Bellows	—	—	—	—	—	●	●	●	●	●	●	●	●	●	●
Thin flat	—	—	—	—	—	—	—	●	●	●	—	—	—	—	—
Thin flat with ribs	—	—	—	—	—	—	—	●	●	●	—	—	—	—	—

Material

N	NBR
S	Silicone rubber
U	Urethane rubber
F	FKM
GN	Conductive NBR
GS	Conductive silicone rubber

⚠ Precautions

Be sure to read this before handling the products.
Refer to back page 50 for Safety Instructions and pages 49 to 51 for Vacuum Equipment Precautions.

Caution on Design

⚠ Warning

- In cases where workpieces are heavy or dangerous, etc., take measures to address a possible loss of adsorption force (installation of drop prevention guides, etc.).
In the case of transportation by vacuum adsorption using vacuum pads, adsorption force is lost when there is a drop in vacuum pressure. Furthermore, since vacuum pressure can also deteriorate due to wear and cracking of pads, and vacuum leakage from piping, etc., be certain to perform maintenance on vacuum equipment.

Selection

⚠ Caution

- The pad materials differ depending upon the operating environment.
An appropriate pad material should be selected. Furthermore, since vacuum pads are manufactured for use with industrial products, they should not have direct contact with pharmaceuticals or food products, etc.
- Depending upon the weight and shape of the workpieces, the diameter, quantity and shape of pads will vary.
Use the pad lifting force table for reference. Also, the pads selected will differ based upon conditions other than the above, such as the condition of the workpiece surface (presence or absence of oil or water), the workpiece material and its gas permeability. Confirmation is necessary by actually performing vacuum adsorption testing on the subject workpieces.
- Use a buffer for adsorption on fragile workpieces.
The cushioning by the buffer is necessary when there is variation in the height of workpieces. When further positioning of pads and workpieces is desired, a detent buffer can be used.

- The life of a buffer will be reduced if the lateral force is applied to the buffer shaft.
Note that sometimes a load is applied to the buffer by a piping tube (pulling or pressing, etc. in a lateral direction).
- Do not apply an impact or large forces to a pad when adsorbing a workpiece.
This will cause deformation, cracking and wear of the pad to be accelerated. The stiffening ribs, etc. should touch lightly, while staying within the pad skirt's deformation range. Positioning should be performed accurately. Especially in the case of small diameter pads.
- When transporting in an upward direction, factors such as acceleration, wind pressure and impact force must be considered in addition to a workpiece weight.
Use caution particularly when lifting items such as glass plates and circuit boards, because a large force will be applied by the wind pressure. When a workpiece which is oriented vertically is transported horizontally, large forces are applied by acceleration when movement is started and stopped. Further, in cases where the pad and a workpiece can slip easily, accelerations and decelerations of horizontal movement should be kept low.
- When transporting flat workpieces that have large surface areas using multiple pads, care must be taken when arranging the pads to balance the workpiece.

Maintenance

⚠ Caution

- Perform pad maintenance regularly.
Since pads are essentially rubber, deterioration is unavoidable. The rate of deterioration depends upon factors such as conditions of use, environment and temperature. Regular maintenance should be performed. If any damage, splitting, cracking or abrasion has occurred in a pad which appears to be harmful, replace it immediately. Also, take care not to damage the outside of the pad.

ZP3

ZP3E

ZP2

ZP2V

ZP

ZPT

ZPR

XT661

ZPT Series

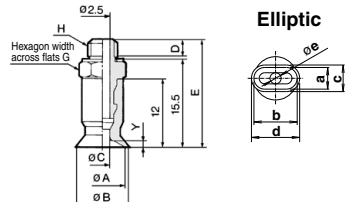
Connection	Male thread	Pad Form	Flat/Flat with ribs/Deep/Thin flat/Thin flat with ribs/Elliptic
Vacuum Entry Port	Vertical	Mounting	Use connection for vacuum entry

Thin flat/Thin flat with ribs $\phi 10$, $\phi 13$, $\phi 16$ /Elliptic 2004, 3507, 4010

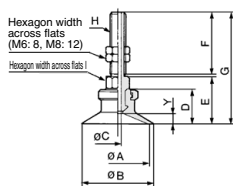
Size/Flat $\phi 2$, $\phi 4$, $\phi 6$, $\phi 8$

Size/ $\phi 20$, $\phi 25$, $\phi 32$

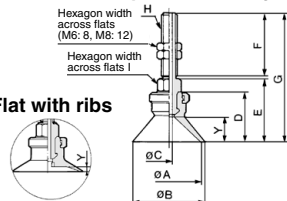
Flat/Thin flat/Thin flat with ribs



Flat



Deep: ZPT25D only



Flat/Thin Flat/Thin Flat with Ribs

Model	A	B	C	H: M5 x 0.8			H: M6 x 1			Y
				D	E	G	D	E	G	
ZPT02U	2	2.6	1.2							0.5
ZPT04U	4	4.8	1.6							0.8
ZPT06U	6	7								
ZPT08U	8	9								1
ZPT10UT	10	11								
ZPT13UT	13	14	2.5	3	19	7	4	20	8	1.5
ZPT16UT	16	17								
ZPT10CT	10	11								
ZPT13CT	13	14								
ZPT16CT	16	17								

Flat/Flat with Ribs

Model	A	B	D	H: M6 x 1					H: M8 x 1					Y		
				C	E	F	G	I	C	E	F	G	I	Flat	Flat with ribs	
ZPT20 ^U / _C	20	23														1.7
ZPT25 ^U / _C	25	28	14	3	19	25	45	8	3.5	24	15	40	12	4		1.8
ZPT32 ^U / _C	32	35	14.5		19.5		45.5			24.5		40.5		4.5		2.3

Deep

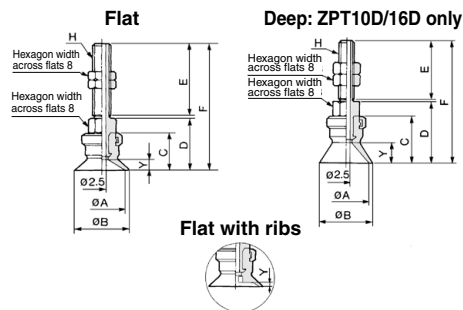
Model	A	B	D	H: M6 x 1					H: M8 x 1					Y
				C	E	F	G	I	C	E	F	G	I	
ZPT25D	25	28	20	3	25	25	51	8	3.5	30	15	46	12	10

Elliptic

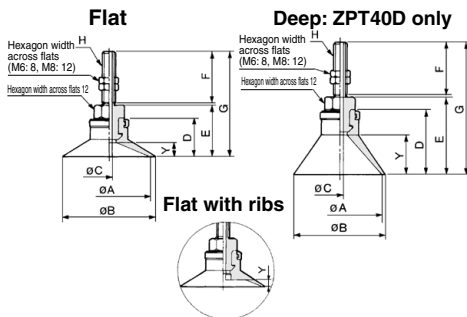
Model	a	b	c	d	e	Y
ZPT2004U	2	4	2.6	4.6	1.2	0.3
ZPT3507U	3.5	7	4.3	7.8	1.8	0.5
ZPT4010U	4	10	5	11	2	0.8

* Dimensions of D, E, G are the same.

Size/ $\phi 10$, $\phi 13$, $\phi 16$



Size/ $\phi 40$, $\phi 50$



Flat/Flat with Ribs

Model	A	B	C	D	H: M5 x 0.8			H: M6 x 1			Y	
					E	F	E	F	Flat	Flat with ribs		
ZPT10 ^U / _C	10	12		12	17			38	43	3		1.7
ZPT13 ^U / _C	13	15				20		25				1.8
ZPT16 ^U / _C	16	18	12.5	17.5			38.5	43.5	3.5			1.2

Flat/Flat with Ribs

Model	A	B	D	E	H: M6 x 1			H: M8 x 1			Y				
					C	F	G	C	F	G	Flat	Flat with ribs			
ZPT40 ^U / _C	40	43	18.5	24.5				3	25	50.5	4.5	15	40.5	6.5	3.3
ZPT50 ^U / _C	50	53	19.5	25.5						51.5			41.5	7.5	3.8

Deep

Model	A	B	C	D	H: M5 x 0.8			H: M6 x 1			Y
					E	F	E	F			
ZPT10D	10	12	15	20	20	41	25	46	6		
ZPT16D	16	18	16	21	20	42	25	47	7		

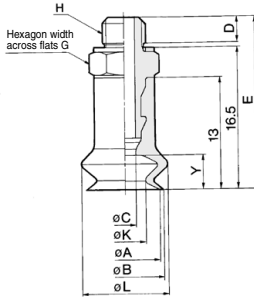
Deep

Model	A	B	D	E	H: M6 x 1			H: M8 x 1			Y
					C	F	G	C	F	G	
ZPT40D	40	43	29	35.5	3	25	61	4.5	15	51	17

Connection	Male thread	Pad Form	Bellows
Vacuum Entry Port	Vertical	Mounting	Use connection for vacuum entry

Size/ø6, ø8

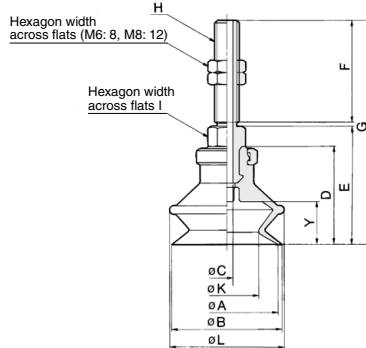
Bellows



Model	A	B	C	H: M5 x 0.8			H: M6 x 1			K	L	Y
				D	E	G	D	E	G			
ZPT06B	6	7	2.5	3	20	7	4	21	8	3.4	9	4
ZPT08B	8	9		4.8	10							

Size/ø20, ø25, ø32

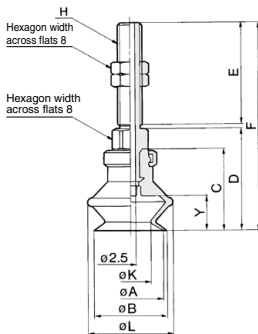
Bellows



Model	A	B	D	H: M6 x 1					H: M8 x 1				K	L	Y
				C	E	F	G	I	C	E	F	G			
ZPT20B	20	22	23.5	3	28.5	54.5	8	3.5	33.5	49.5	12.6	25	10.5		
ZPT25B	25	27	24	3	29	55	8	3.5	34	50	16	28	10.5		
ZPT32B	32	34	29	3	34	60	8	3.5	39	55	18.9	37	14		

Size/ø10, ø13, ø16

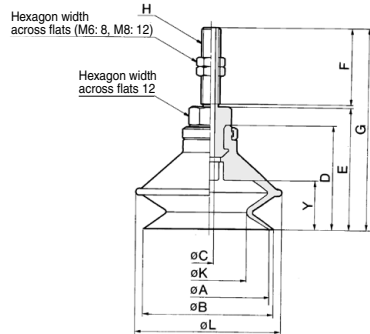
Bellows



Model	A	B	C	D	H: M5 x 0.8		H: M6 x 1		K	L	Y
					E	F	E	F			
ZPT10B	10	12	16	21	42	47	5.5	13.5	5.5		
ZPT13B	13	15	18.5	23.5	20	44.5	25	49.5	8.7	19	7.5
ZPT16B	16	18	20	25	46	51	10	21	8.5		

Size/ø40, ø50

Bellows



Model	A	B	D	E	H: M6 x 1			H: M8 x 1			K	L	Y
					C	F	G	C	F	G			
ZPT40B	40	43	34	40	3	25	66	4.5	15	56	24.4	47	16
ZPT50B	50	53	38	44	3	25	70	4.5	15	60	33.4	57	19

ZP3

ZP3E

ZP2

ZP2V

ZP

ZPT

ZPR

XT661

ZPT Series

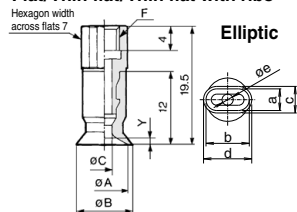
Connection	Female thread	Pad Form	Flat/Flat with ribs/Deep
Vacuum Entry Port	Vertical	Mounting	Use connection for vacuum entry

Thin flat/Thin flat with ribs $\phi 10, \phi 13, \phi 16$ /Elliptic 2004, 3507, 4010

Size/Flat $\phi 2, \phi 4, \phi 6, \phi 8$

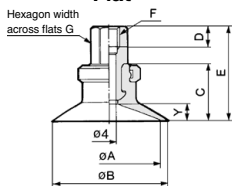
Size/ $\phi 20, \phi 25, \phi 32$

Flat/Thin flat/Thin flat with ribs

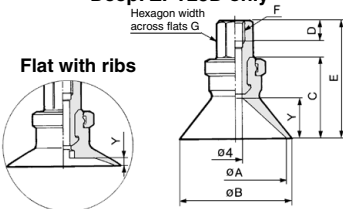


Elliptic

Flat



Deep: ZPT25D only



Flat

Model	A	B	C	F	Y
ZPT02U	2	2.6	1.2		0.5
ZPT04U	4	4.8	1.6		0.8
ZPT06U	6	7			
ZPT08U	8	9			
ZPT10UT	10	11			
ZPT13UT	13	14			
ZPT16UT	16	17			
ZPT10CT	10	11			0.8
ZPT13CT	13	14			1
ZPT16CT	16	17			

Flat/Flat with Ribs

Model	A	B	C	F: M5 x 0.8			F: M6 x 1			F: M8 x 1.25			F: 1/8 (Rc, NPT, NPTF)		Y	
				D	E	G	D	E	G	D	E	G	E	G		Flat
ZPT20 ^U _C	20	23	14	5	23	8	6	23	8	8	12	29	29	12	4	1.7
ZPT25 ^U _C	25	28														
ZPT32 ^U _C	32	35	14.5													

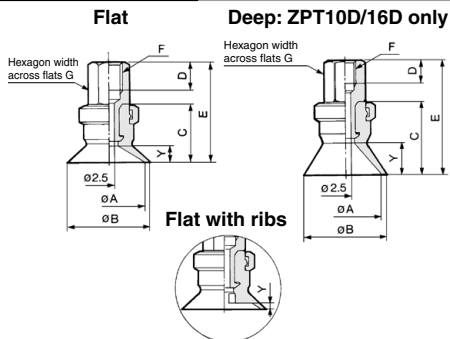
Deep

Model	A	B	C	F: M5 x 0.8			F: M6 x 1			F: M8 x 1.25			F: 1/8 (Rc, NPT, NPTF)		Y
				D	E	G	D	E	G	D	E	G	E	G	
ZPT25D	25	28	20	5	29	8	6	29	8	8	35	12	35	12	10

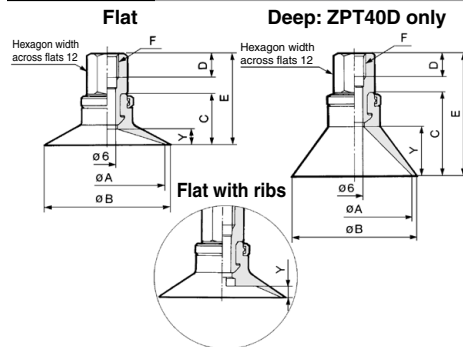
Elliptic

Model	a	b	c	d	e	Y
ZPT2004U	2	4	2.6	4.6	1.2	0.3
ZPT3507U	3.5	7	4.3	7.8	1.8	0.5
ZPT4010U	4	10	5	11	2	0.8

Size/ $\phi 10, \phi 13, \phi 16$



Size/ $\phi 40, \phi 50$



Flat/Flat with Ribs

Model	A	B	C	F: M5 x 0.8			F: M6 x 1			F: 1/8 (Rc, NPT, NPTF)		Y
				D	E	G	D	E	G	E	G	
ZPT10 ^U _C	10	12	12		21	8	21	8	27		3	1.7
ZPT13 ^U _C	13	15	5		21.5		21.5	8	27.5		3.5	1.8
ZPT16 ^U _C	16	18	12.5		21.5		21.5	8	27.5		3.5	1.2

Flat/Flat with Ribs

Model	A	B	C	F: M6 x 1			F: M8 x 1.25			F: 1/8 (Rc, NPT, NPTF)		Y
				D	E	G	D	E	G	E	G	
ZPT40 ^U _C	40	43	18.5	6	32	8	32	32	32	33	6.5	3.3
ZPT50 ^U _C	50	53	19.5		33		33	33	33		7.5	3.8

Deep

Model	A	B	C	F: M5 x 0.8			F: M6 x 1			F: 1/8 (Rc, NPT, NPTF)		Y
				D	E	G	D	E	G	E	G	
ZPT10D	10	12	15	5	24	8	24	8	30	30	12	6
ZPT16D	16	18	16		25	8	25	8	31		12	7

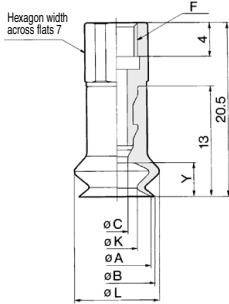
Deep

Model	A	B	C	F: M6 x 1			F: M8 x 1.25			F: 1/8 (Rc, NPT, NPTF)		Y
				D	E	G	D	E	G	E	G	
ZPT40D	40	43	29	6	42.5	8	42.5	42.5	42.5		17	

Connection	Female thread	Pad Form	Bellows
Vacuum Entry Port	Vertical	Mounting	Use connection for vacuum entry

Size/ø6, ø8

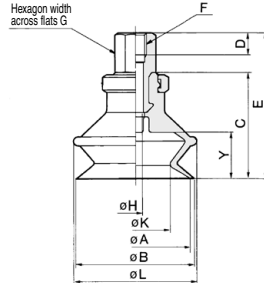
Bellows



Model	A	B	C	F	K	L	Y
ZPT06B	6	7	2.5	M4 x 0.7	3.4	9	4
ZPT08B	8	9		M5 x 0.8	4.8	10	

Size/ø20, ø25, ø32

Bellows

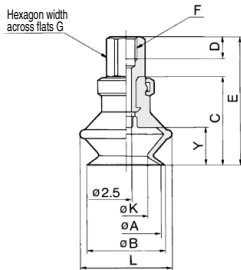


Model	A	B	C	F: M5 x 0.8			F: M6 x 1			F: M8 x 1.25			F: 1/8" (Rc, NPT, NPTF)					
				D	E	G	H	D	E	G	H	D	E	G	H	E	G	H
ZPT20B	20	22	23.5		32.5			32.5										
ZPT25B	25	27	24	5	33	8	4	6	33	8	4	8	39	12	3.5	39	12	3.5
ZPT32B	32	34	29		38				38				44			44		

Model	K	L	Y
ZPT20B	12.6	25	10.5
ZPT25B	16	28	10.5
ZPT32B	18.9	37	14

Size/ø10, ø13, ø16

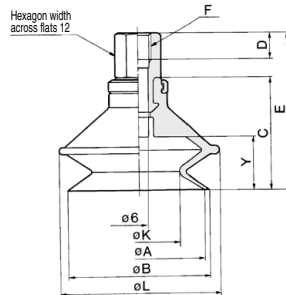
Bellows



Model	A	B	C	F: M5 x 0.8			F: M6 x 1			F: 1/8" (Rc, NPT, NPTF)			K	L	Y
				D	E	G	D	E	G	E	G				
ZPT10B	10	12	16		25			25			31		5.5	13.5	5.5
ZPT13B	13	15	18.5	5	27.5	8	6	27.5	8		33.5	12	8.7	19	7.5
ZPT16B	16	18	20		29			29			35		10	21	8.5

Size/ø40, ø50

Bellows



Model	A	B	C	F: M6 x 1		F: M8 x 1.25		F: 1/8" (Rc, NPT, NPTF)			K	L	Y
				D	E	D	E	E					
ZPT40B	40	43	34	6	47.5	8	47.5			47.5	24.4	47	16
ZPT50B	50	53	38		51.5		51.5			51.5	33.4	57	19

ZP3

ZP3E

ZP2

ZP2V

ZP

ZPT

ZPR

XT661



Vacuum Pad/ Vertical Vacuum Entry With Buffer

ZPT Series

RoHS



Specifications

Vacuum entry direction		Vertical			
Vacuum entry	Connection	Barb fitting		One-touch fitting	
		Female thread		Barb fitting	One-touch fitting
		Connection			
	Applicable tube dia.	ø2 to ø8 Elliptic (2 x 4, 3.5 x 7, 4 x 10) Thin section series (ø10 to ø16)	M3 x 0.5 M5 x 0.8	ø4 Nylon tube ø4 Urethane tube	ø4 tube ø6 tube
ø10 to ø32		M5 x 0.8	ø6 Nylon tube ø6 Urethane tube	ø4 tube ø6 tube	
ø40 to ø50		M5 x 0.8 1/8 (Rc, NPT, NPTF)	ø6 Nylon tube ø6 Urethane tube	ø6 tube ø8 tube	
Connection	Thread dia.	ø2 to ø8 ø10 to ø32 ø40 to ø50			
		M8 x 1 Male thread M10 x 1 Male thread M14 x 1 Male thread			

Buffer Specifications

Pad dia. (mm)	ø2 to ø8*	ø10 to ø32	ø40, ø50
Stroke (mm)	6, 10, 15, 25	10, 20, 30, 40, 50	10, 20, 30, 50
Spring Reactive Force (N)	0 stroke	1.0	2.0
	Full stroke	1.2	3.0
Non-rotating specification		Rotating (J)/Non-rotating (K)	

* Refer to ø2 to ø8 for Thin flat, Thin flat with ribs and Elliptic.

Pad Type

Pad form	Flat	Flat with ribs	Deep	Bellows
Pad diameter (mm)	2, 4, 6, 8, 2 x 4, 3.5 x 7, 4 x 10, 10, 13, 16, 20, 25, 32, 40, 50	10, 13, 16, 20, 25, 32, 40, 50	10, 16, 25, 40	6, 8, 10, 13, 16, 20, 25, 32, 40, 50
Material (Color)	NBR (Black), Silicone rubber (White), Urethane rubber (Brown), FKM (Black with green mark) Conductive NBR (Black with one silver mark), Conductive silicone rubber (Black with two silver marks)			
Durometer	NBR (A50/S), Silicone rubber (A40/S), Urethane rubber/FKM (A60/S) Conductive NBR (A50/S), Conductive silicone rubber (A50/S)			

Weight

Stroke (mm)	Pad form Vacuum entry port	Flat/Flat with ribs								Deep								Bellows							
		Female thread				One-touch fitting				Female thread				One-touch fitting				Female thread				One-touch fitting			
		B3	B5	□01	□04	□06	□08	N□U	N□U	B3	B5	□01	□04	□06	□08	N□U	N□U	B3	B5	□01	□04	□06	□08	N□U	N□U
6	ZPT2004 3507 4010																								
	ZPT02 to 08 Thin section series 10 to 16	22	24	—	26	27	—	22	—	—	—	—	—	—	—	22	24	—	26	27	—	—	—	22	
10	ZPT 10 to 16	—	26	—	29	30	—	25	27	—	29	30	—	25	—	27	—	30	31	—	—	—	—	26	
10	ZPT 20 25	—	29	—	31	33	—	27	30	—	32	33	—	28	—	31	—	34	35	—	—	—	—	30	
	ZPT 32	—	57	—	33	34	—	30	—	—	—	—	—	—	—	36	—	38	39	—	—	—	—	34	
10	ZPT 40	—	129	132	—	133	141	129	131	134	—	134	143	129	—	141	144	—	145	153	—	—	—	140	
	ZPT 50	—	135	138	—	139	147	133	—	—	—	—	—	—	—	148	151	—	152	160	—	—	—	147	

Weight by Stroke

Stroke (mm)	10	15	20	25	30	40	50
ZPT2004 3507 4010							
ZPT02 to 08 Thin section series 10 to 16	+6	+7	—	+8	—	—	—
ZPT10 to 32	—	—	+11	—	+13	+23	+24
ZPT40, 50	—	—	+38	—	+40	—	+67

How to Order

**ZPT Series
With buffer**

ZPT **16** **U** **GS** **K** **20** - **06** - **A10**

Pad diameter

2004	2 x 4
3507	3.5 x 7
4010	4 x 10
02	ø2
04	ø4
06	ø6
08	ø8
10	ø10
13	ø13
16	ø16
20	ø20
25	ø25
32	ø32
40	ø40
50	ø50

Mounting thread diameter/
Male thread
(Refer to "Table (3)" for applications.)

Vacuum entry port
(Refer to "Table (3)" for applications.)

Buffer stroke
(Refer to "Table (2)" for applications.)

Buffer type

J	Rotating
K	Non-rotating

Pad type
("Table (1)" for applications.)

U	Flat
C	Flat with ribs
D	Deep
B	Bellows
UT	Thin flat
CT	Thin flat with ribs

Material

N	NBR
S	Silicone rubber
U	Urethane rubber
F	FKM
GN	Conductive NBR
GS	Conductive silicone rubber

Table (1) Pad Diameter/Pad Type

Type \ Diameter	2 x 4	3.5 x 7	4 x 10	ø2	ø4	ø6	ø8	ø10	ø13	ø16	ø20	ø25	ø32	ø40	ø50
Flat	●	●	●	●	●	●	●	●	●	●	●	●	●	●	●
Flat with ribs	—	—	—	—	—	—	—	●	●	●	●	●	●	●	●
Deep	—	—	—	—	—	—	—	●	●	●	●	●	●	●	●
Bellows	—	—	—	—	—	●	●	●	●	●	●	●	●	●	●
Thin flat	—	—	—	—	—	—	—	●	●	●	●	●	●	●	●
Thin flat with ribs	—	—	—	—	—	—	—	●	●	●	●	●	●	●	●

Table (2) Pad Diameter/Stroke

Stroke \ Diameter	2 x 4	3.5 x 7	4 x 10	ø2	ø4	ø6	ø8	Thin flat/Thin flat with ribs ø10 ø13 ø16	ø10	ø13	ø16	ø20	ø25	ø32	ø40	ø50
6 mm	●	●	●	●	●	●	●	●	●	—	—	—	—	—	—	—
10 mm	●	●	●	●	●	●	●	●	●	—	—	—	—	—	—	—
15 mm	●	●	●	●	●	●	●	●	●	—	—	—	—	—	—	—
20 mm	—	—	—	—	—	—	—	—	●	—	—	●	●	●	●	●
25 mm	●	●	●	●	●	●	●	●	●	—	—	—	—	—	—	—
30 mm	—	—	—	—	—	—	—	—	—	●	●	●	●	●	●	●
40 mm	—	—	—	—	—	—	—	—	—	●	●	●	●	●	●	●
50 mm	—	—	—	—	—	—	—	—	—	●	●	●	●	●	●	●

Table (3) Vacuum Entry/Mounting Thread Diameter

	Symbol	Thread dia./Port size	ø2 to ø8	ø10 to ø32	ø40, ø50	
			2 x 4, 3.5 x 7, 4 x 10 Thin section series ø10 to ø16			
Vacuum entry	Female thread	B3	M3 x 0.5	●	—	
		B5	M5 x 0.8	●	—	
		B01	Rc 1/8	—	—	●
		N01	NPT 1/8	—	—	●
		T01	NPTF 1/8	—	—	●
	Barb fitting	N4	ø4 Nylon tube	●	—	—
		N6	ø6 Nylon tube	—	●	—
		U4	ø4 Urethane tube	●	—	—
		U6	ø6 Urethane tube	—	●	—
		One-touch fitting	04	ø4 tube	●	●
06	ø6 tube		●	●	—	
08	ø8 tube		—	—	●	
A8	M8 x 1		●	—	—	
A10	M10 x 1		—	●	—	
Mounting	A14	M14 x 1	—	—	●	

Tightening Torque (N·m)

Mounting thread diameter	Torque
M8 x 1	1.5 to 2.0
M10 x 1	2.5 to 3.5
M14 x 1	6.5 to 7.5

ZP3

ZP3E

ZP2

ZP2V

ZP

ZPT

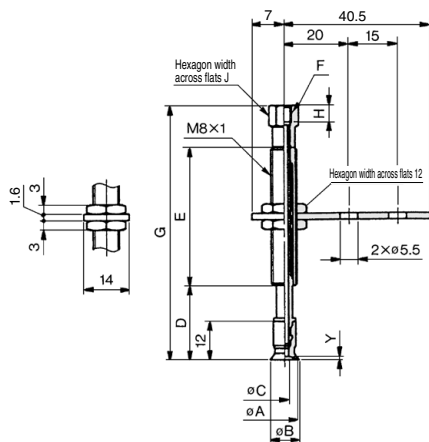
ZPR

XT661

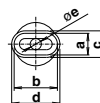
ZPT Series

Connection	Female thread (Buffer)	Pad Form	Flat/Thin flat/Thin flat with ribs/Elliptic
Vacuum Entry Port	Vertical	Mounting	Buffer body

Flat/ø2, ø4, ø6, ø8, Thin flat/Thin flat with ribs/ø10, ø13, ø16, Elliptic/2004, 3507, 4010



Elliptic



Flat

Model	A	B	C	Y
ZPT02U □□□□□-B□-A8	2	2.6	1.2	0.5
ZPT04U □□□□□-B□-A8	4	4.8	1.6	0.8
ZPT06U □□□□□-B□-A8	6	7	2.5	
ZPT08U □□□□□-B□-A8	8	9		1

Elliptic

Model	a	b	c	d	e	Y
ZPT2004U	2	4	2.6	4.6	1.2	0.3
ZPT3507U	3.5	7	4.3	7.8	1.8	0.5
ZPT4010U	4	10	5	11	2	0.8

Thin Flat/Thin Flat with Ribs

Model	A	B	C	Y
ZPT10UT	10	11	2.5	1
ZPT13UT	13	14		1.5
ZPT16UT	16	17		
ZPT10CT	10	11		0.8
ZPT13CT	13	14	1	
ZPT16CT	16	17		

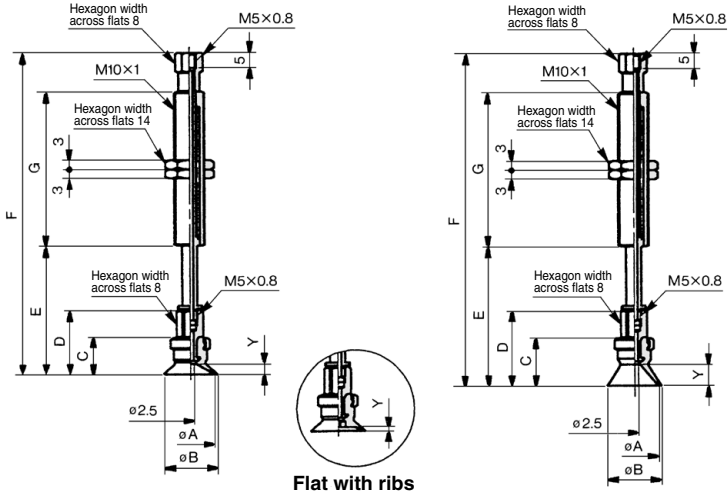
Dimensions by Stroke

Model	D	E	F: M3 x 0.5			F: M5 x 0.8		
			G	H	J	G	H	J
ZPT □□□□□□ 6-B□-A8	18	15	44	3	6	46	5	8
ZPT □□□□□□ 10-B□-A8	23		77			79		
ZPT □□□□□□ 15-B□-A8	28	43	82			84		
ZPT □□□□□□ 25-B□-A8	38		92			94		

Connection	Female thread (Buffer)	Pad Form	Flat/Flat with ribs/Deep
Vacuum Entry Port	Vertical	Mounting	Buffer body

Flat/Flat with ribs/ø10, ø13, ø16

Deep/ø10, ø16



Flat with ribs

ø10, ø13, ø16

Flat/Flat with Ribs

Model	A	B	C	D	Y	
					Flat	Flat with ribs
ZPT10□□□□□□□□-B5-A10	10	12	12	21	3	1.7
ZPT13□□□□□□□□-B5-A10	13	15	12	21	3	1.8
ZPT16□□□□□□□□-B5-A10	16	18	12.5	21.5	3.5	1.2

Dimensions by Stroke

Model	ø10, ø13		ø16		G
	E	F	E	F	
ZPT□□□□□□□□□□10-B5-A10	32.5	68.5	33	69	23
ZPT□□□□□□□□□□20-B5-A10	42.5	106.5	43	107	51
ZPT□□□□□□□□□□30-B5-A10	52.5	116.5	53	117	77
ZPT□□□□□□□□□□40-B5-A10	62.5	152.5	63	153	
ZPT□□□□□□□□□□50-B5-A10	72.5	162.5	73	163	

ø10, ø16

Deep

Model	A	B	C	D	Y
ZPT10D□□□□□□□□-B5-A10	10	12	15	24	6
ZPT16D□□□□□□□□-B5-A10	16	18	16	25	7

Dimensions by Stroke

Model	ø10		ø16		G
	E	F	E	F	
ZPT□□□□□□□□□□10-B5-A10	35.5	71.5	36.5	72.5	23
ZPT□□□□□□□□□□20-B5-A10	45.5	109.5	46.5	110.5	51
ZPT□□□□□□□□□□30-B5-A10	55.5	119.5	56.5	120.5	
ZPT□□□□□□□□□□40-B5-A10	65.5	155.5	66.5	156.5	
ZPT□□□□□□□□□□50-B5-A10	75.5	165.5	76.5	166.5	77

ZP3

ZP3E

ZP2

ZP2V

ZP

ZPT
ZPR

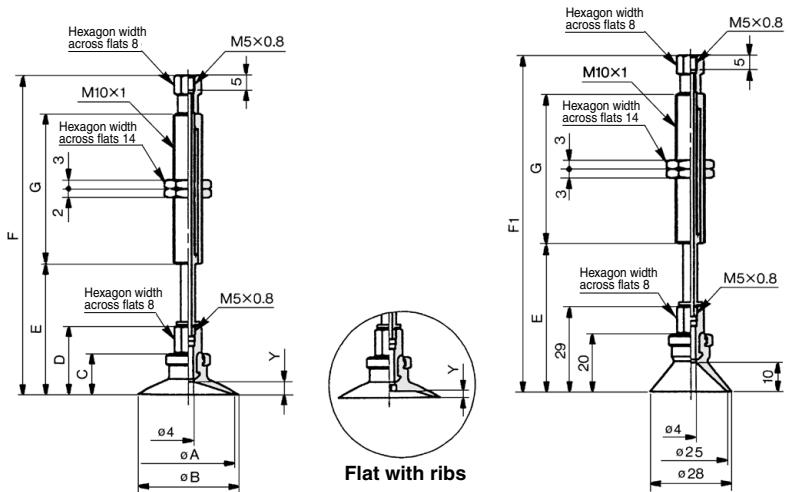
XT661

ZPT Series

Connection	Female thread (Buffer)	Pad Form	Flat/Flat with ribs/Deep
Vacuum Entry Port	Vertical	Mounting	Buffer body

Flat/Flat with ribs/ø20, ø25, ø32

Deep/ø25



ø20, ø25, ø32

Flat/Flat with Ribs

Model	A	B	C	D	Y	
					Flat	Flat with ribs
ZPT20 $\frac{U}{C}$ □□□□-B5-A10	20	23	14	23	4	1.7
ZPT25 $\frac{U}{C}$ □□□□-B5-A10	25	28				1.8
ZPT32 $\frac{U}{C}$ □□□□-B5-A10	32	35	14.5	23.5	4.5	2.3

Dimensions by Stroke

Model	ø20, ø25		ø32		G
	E	F	E	F	
ZPT $\frac{U}{C}$ □□□□10-B5-A10	34.5	70.5	35	71	23
ZPT $\frac{U}{C}$ □□□□20-B5-A10	44.5	108.5	45	109	51
ZPT $\frac{U}{C}$ □□□□30-B5-A10	54.5	118.5	55	119	
ZPT $\frac{U}{C}$ □□□□40-B5-A10	64.5	154.5	65	155	77
ZPT $\frac{U}{C}$ □□□□50-B5-A10	74.5	164.5	75	165	

ø25

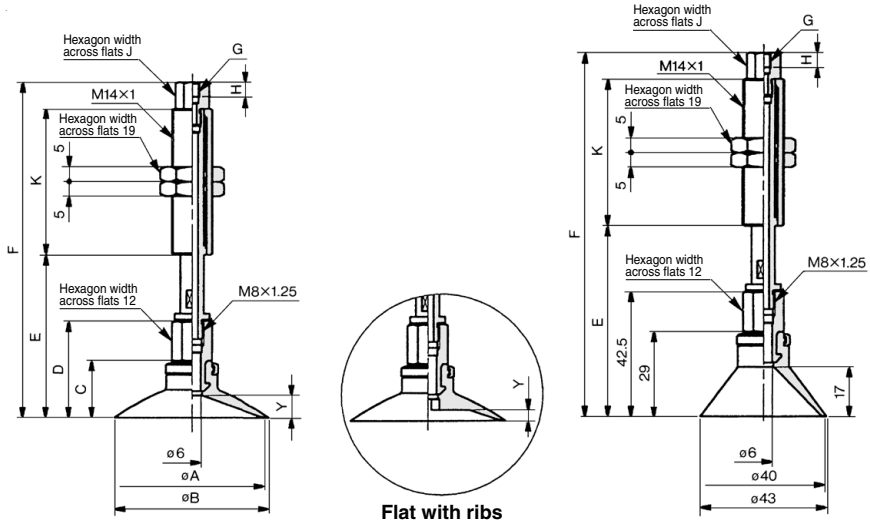
Deep

Model	E	F	G
ZPT25D □□□10-B5-A10	40.5	76.5	23
ZPT25D □□□20-B5-A10	50.5	114.5	
ZPT25D □□□30-B5-A10	60.5	124.5	51
ZPT25D □□□40-B5-A10	70.5	160.5	
ZPT25D □□□50-B5-A10	80.5	170.5	77

Connection	Female thread (Buffer)	Pad Form	Flat/Flat with ribs/Deep
Vacuum Entry Port	Vertical	Mounting	Buffer body

Flat/Flat with ribs/ø40, ø50

Deep/ø40



ø40, ø50

Flat/Flat with Ribs

Model	A	B	C	D	Y	
					Flat	Flat with ribs
ZPT40□□□□□□□□□□-A14	40	43	18.5	32	6.5	3.3
ZPT50□□□□□□□□□□-A14	50	53	19.5	33	7.5	3.8

Dimensions by Stroke

Model	E		G: M5 x 0.8			G: ½ (Rc, NPT, NPTF)		K
	ø40	ø50	F	H	J	F		
						ø40	ø50	
ZPT□□□□□□□□□□□□□□-A14	44.5	45.5	108.5	110.5	111	112		
ZPT□□□□□□□□□□□□□□-A14	54.5	55.5	113.5	114.5	116.5	117.5	13	50
ZPT□□□□□□□□□□□□□□-A14	64.5	65.5	123.5	124.5	126.5	127.5		
ZPT□□□□□□□□□□□□□□-A14	84.5	85.5	168.5	169.5	171.5	172.5		75

ø40

Deep

Model	E	G: M5 x 0.8			G: ½ (Rc, NPT, NPTF)		K
		F	H	J	F	J	
ZPT40D□□□□□□□□□□-A14	55	120			121.5		
ZPT40D□□□□□□□□□□-A14	65	124	5	10	127	13	50
ZPT40D□□□□□□□□□□-A14	75	134			137		
ZPT40D□□□□□□□□□□-A14	95	179			182		75

ZP3

ZP3E

ZP2

ZP2V

ZP

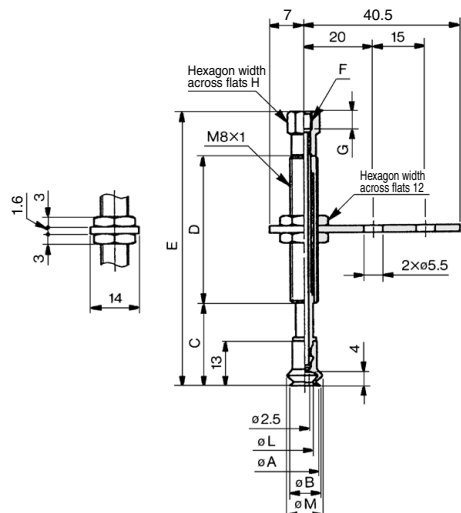
ZPT
ZPR

XT661

ZPT Series

Connection	Female thread (Buffer)	Pad Form	Bellows
Vacuum Entry Port	Vertical	Mounting	Buffer body

Bellows/φ6, φ8



φ6, φ8

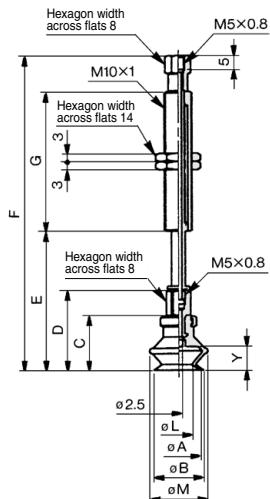
Bellows

Model	A	B	L	M
ZPT06B□□□□-B□-A8	6	7	3.4	9
ZPT08B□□□□-B□-A8	8	9	4.8	10

Dimensions by Stroke

Model	C	D	F: M3 x 0.5			F: M5 x 0.8		
			E	G	H	E	G	H
ZPT□□B□□□-6-B□-A8	19	15	45	3	6	47	5	8
ZPT□□B□□□-10-B□-A8	24	19	78			80		
ZPT□□B□□□-15-B□-A8	29	43	83	3	6	85	5	8
ZPT□□B□□□-25-B□-A8	39	43	93			95		

Bellows/φ10, φ13, φ16



φ10, φ13, φ16

Bellows

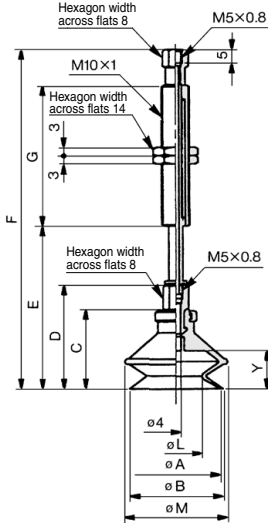
Model	A	B	C	D	L	M	Y
ZPT10B□□□□-B5-A10	10	12	16	25	5.5	13.5	5.5
ZPT13B□□□□-B5-A10	13	15	18.5	27.5	8.7	19	7.5
ZPT16B□□□□-B5-A10	16	18	20	29	10	21	8.5

Dimensions by Stroke

Model	φ10		φ13		φ16		G
	E	F	E	F	E	F	
ZPT□□B□□□-10-B5-A10	36.5	72.5	39	75	40.5	76.5	23
ZPT□□B□□□-20-B5-A10	46.5	110.5	49	113	50.5	114.5	51
ZPT□□B□□□-30-B5-A10	56.5	120.5	59	123	60.5	124.5	
ZPT□□B□□□-40-B5-A10	66.5	156.5	69	159	70.5	160.5	77
ZPT□□B□□□-50-B5-A10	76.5	166.5	79	169	80.5	170.5	

Connection	Female thread (Buffer)	Pad Form	Bellows
Vacuum Entry Port	Vertical	Mounting	Buffer body

Bellows/ø20, ø25, ø32



ø20, ø25, ø32

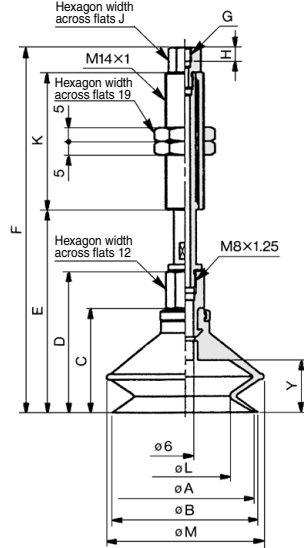
Bellows

Model	A	B	C	D	L	M	Y
ZPT20B□□□□□-B5-A10	20	22	23.5	32.5	12.6	25	10.5
ZPT25B□□□□□-B5-A10	25	27	24	33	16	28	
ZPT32B□□□□□-B5-A10	32	34	29	38	18.9	37	14

Dimensions by Stroke

Model	ø20		ø25		ø32		G
	E	F	E	F	E	F	
ZPT□□B□□□□10-B5-A10	44	80	44.5	80.5	49.5	85.5	23
ZPT□□B□□□□20-B5-A10	54	118	54.5	118.5	59.5	123.5	
ZPT□□B□□□□30-B5-A10	64	128	64.5	128.5	69.5	133.5	51
ZPT□□B□□□□40-B5-A10	74	164	74.5	164.5	79.5	169.5	
ZPT□□B□□□□50-B5-A10	84	174	84.5	174.5	89.5	179.5	77
ZPT□□B□□□□10-□□□-A14	60	64	125	129	5	10	
ZPT□□B□□□□20-□□□-A14	70	74	129	133			
ZPT□□B□□□□30-□□□-A14	80	84	139	143			
ZPT□□B□□□□50-□□□-A14	100	104	184	188			
ZPT□□B□□□□10-□□□-A14	60	64	125	129			5
ZPT□□B□□□□20-□□□-A14	70	74	129	133			
ZPT□□B□□□□30-□□□-A14	80	84	139	143			
ZPT□□B□□□□50-□□□-A14	100	104	184	188			

Bellows/ø40, ø50



ø40, ø50

Bellows

Model	A	B	C	D	L	M	Y
ZPT40B□□□□□-□□□-A14	40	43	34	47.5	24.4	47	16
ZPT50B□□□□□-□□□-A14	50	53	38	51.5	33.4	57	19

Dimensions by Stroke

Model	E		G: M5 x 0.8		G: 1/8 (Rc, NPT, NPTF)		K
	ø40	ø50	F	H	ø40	ø50	
ZPT□□B□□□□10-□□□-A14	60	64	125	129	5	10	13
ZPT□□B□□□□20-□□□-A14	70	74	129	133			
ZPT□□B□□□□30-□□□-A14	80	84	139	143			
ZPT□□B□□□□50-□□□-A14	100	104	184	188			
ZPT□□B□□□□10-□□□-A14	60	64	125	129			
ZPT□□B□□□□20-□□□-A14	70	74	129	133			
ZPT□□B□□□□30-□□□-A14	80	84	139	143			
ZPT□□B□□□□50-□□□-A14	100	104	184	188			

ZP3

ZP3E

ZP2

ZP2V

ZP

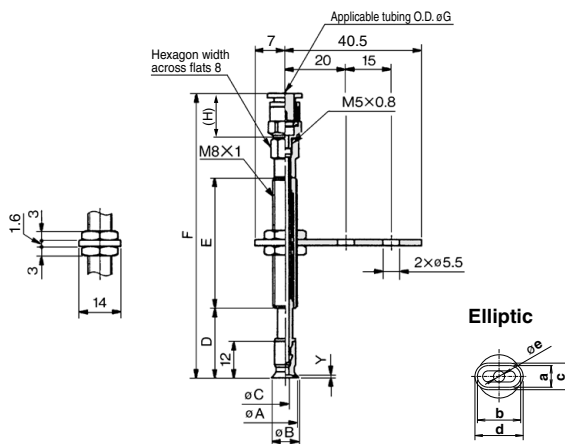
ZPT
ZPR

XT661

ZPT Series

Connection	One-touch fitting (Buffer)	Pad Form	Flat/Flat with ribs/Deep/Thin flat Thin flat with ribs/Elliptic
Vacuum Entry Port	Vertical	Mounting	Buffer body

Flat/ø2, ø4, ø6, ø8, Thin flat/Flat with ribs/ø10, ø13, ø16, Elliptic/2004, 3507, 4010



Flat

Model	A	B	C	Y
ZPT02U□□□□□-0□-A8	2	2.6	1.2	0.5
ZPT04U□□□□□-0□-A8	4	4.8	1.6	0.8
ZPT06U□□□□□-0□-A8	6	7	2.5	
ZPT08U□□□□□-0□-A8	8	9		1

Elliptic

Model	a	b	c	d	øe	Y
ZPT2004U	2	4	2.6	4.6	1.2	0.3
ZPT3507U	3.5	7	4.3	7.8	1.8	0.5
ZPT4010U	4	10	5	11	2	0.8

Thin Flat/Thin Flat with Ribs

Model	A	B	C	Y
ZPT10UT	10	11	2.5	1
ZPT13UT	13	14		1.5
ZPT16UT	16	17		
ZPT10CT	10	11		0.8
ZPT13CT	13	14	1	
ZPT16CT	16	17		

Dimensions by Stroke

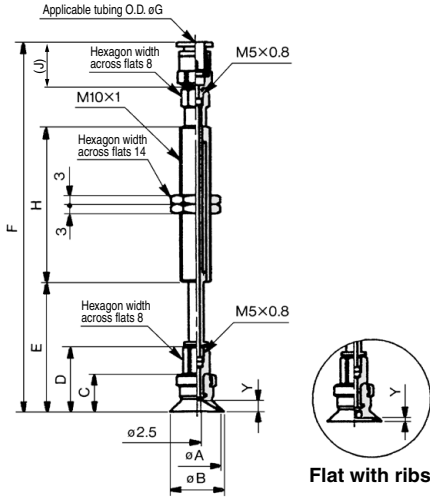
Model	D	E	F	
			G: 4	G: 6
ZPT□□□□□ 6-0□-A8	18	15	60	61
ZPT□□□□□ 10-0□-A8	23		93	94
ZPT□□□□□ 15-0□-A8	28	43	98	99
ZPT□□□□□ 25-0□-A8	38		108	109

Dimensions by Applicable tubing O.D.

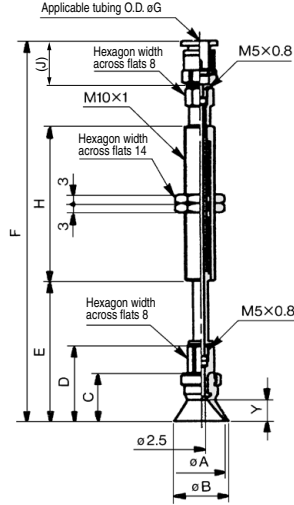
Applicable tubing O.D.	H
ø4	13.9
ø6	14.7

Connection	One-touch fitting (Buffer)	Pad Form	Flat/Flat with ribs/Deep
Vacuum Entry Port	Vertical	Mounting	Buffer body

Flat/Flat with ribs/ø10, ø13, ø16



Deep/ø10, ø16



ø10, ø13, ø16

Flat/Flat with Ribs

Model	A	B	C	D	Y	
					Flat	Flat with ribs
ZPT10 $\frac{U}{C}$ □□□□□□□□-0□-A10	10	12	12	21	3	1.7
ZPT13 $\frac{U}{C}$ □□□□□□□□-0□-A10	13	15			1.8	
ZPT16 $\frac{U}{C}$ □□□□□□□□-0□-A10	16	18	12.5	21.5	3.5	1.2

Dimensions by Stroke

Model	ø10, ø13				ø16				H
	E	F		E	F		H		
		G: 4	G: 6		G: 4	G: 6			
ZPT□□□ $\frac{U}{C}$ □□□□□□□□10-0□-A10	32.5	82.5	83.5	33	83	84	23		
ZPT□□□ $\frac{U}{C}$ □□□□□□□□20-0□-A10	42.5	120.5	121.5	43	121	122	51		
ZPT□□□ $\frac{U}{C}$ □□□□□□□□30-0□-A10	52.5	130.5	131.5	53	131	132			
ZPT□□□ $\frac{U}{C}$ □□□□□□□□40-0□-A10	62.5	166.5	167.5	63	167	168	77		
ZPT□□□ $\frac{U}{C}$ □□□□□□□□50-0□-A10	72.5	176.5	177.5	73	177	178			

Dimensions by Applicable tubing O.D.

Applicable tubing O.D.	J
ø4	13.9
ø6	14.7

ø10, ø16

Deep

Model	A	B	C	D	Y
ZPT10D□□□□□□□□-0□-A10	10	12	15	24	6
ZPT16D□□□□□□□□-0□-A10	16	18	16	25	7

Dimensions by Stroke

Model	ø10			ø16			H
	E	F		E	F		
		G: 4	G: 6		G: 4	G: 6	
ZPT□□□□□□□□10-0□-A10	35.5	85.5	86.5	36.5	86.5	87.5	23
ZPT□□□□□□□□20-0□-A10	45.5	123.5	124.5	46.5	124.5	125.5	51
ZPT□□□□□□□□30-0□-A10	55.5	133.5	134.5	56.5	134.5	135.5	
ZPT□□□□□□□□40-0□-A10	65.5	169.5	170.5	66.5	170.5	171.5	77
ZPT□□□□□□□□50-0□-A10	75.5	179.5	180.5	76.5	180.5	181.5	

Dimensions by Applicable tubing O.D.

Applicable tubing O.D.	J
ø4	13.9
ø6	14.7

ZP3

ZP3E

ZP2

ZP2V

ZP

ZPT
ZPR

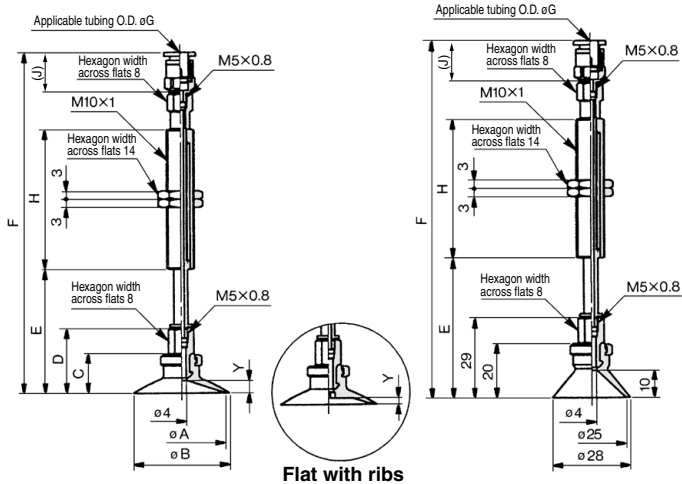
XT661

ZPT Series

Connection	One-touch fitting (Buffer)	Pad Form	Flat/Flat with ribs/Deep
Vacuum Entry Port	Vertical	Mounting	Buffer body

Flat/Flat with ribs/ø20, ø25, ø32

Deep/ø25



ø20, ø25, ø32

Flat Type/Flat with Ribs

Model	A	B	C	D	Y	
					Flat	Flat with ribs
ZPT20 $\frac{U}{C}$ □□□□□-0□-A10	20	23	14	23	4	1.7
ZPT25 $\frac{U}{C}$ □□□□□-0□-A10	25	28				1.8
ZPT32 $\frac{U}{C}$ □□□□□-0□-A10	32	35	14.5	23.5	4.5	2.3

Dimensions by Stroke

Model	ø20, ø25				ø32				H
	E	F		E	F		H		
		G: 4	G: 6		G: 4	G: 6			
ZPT□□ $\frac{U}{C}$ □□□□□10-0□-A10	34.5	84.5	85.5	35	85	86	23		
ZPT□□ $\frac{U}{C}$ □□□□□20-0□-A10	44.5	122.5	123.5	45	123	124	51		
ZPT□□ $\frac{U}{C}$ □□□□□30-0□-A10	54.5	132.5	133.5	55	133	134			
ZPT□□ $\frac{U}{C}$ □□□□□40-0□-A10	64.5	168.5	169.5	65	169	170	77		
ZPT□□ $\frac{U}{C}$ □□□□□50-0□-A10	74.5	178.5	179.5	75	179	180			

Dimensions by Applicable tubing O.D.

Applicable tubing O.D.	J
ø4	13.9
ø6	14.7

ø25

Deep

Model	E	F		H
		G: 4	G: 6	
ZPT25D □□□□□10-0□-A10	40.5	90.5	91.5	23
ZPT25D □□□□□20-0□-A10	50.5	128.5	129.5	51
ZPT25D □□□□□30-0□-A10	60.5	138.5	139.5	
ZPT25D □□□□□40-0□-A10	70.5	174.5	175.5	77
ZPT25D □□□□□50-0□-A10	80.5	184.5	185.5	

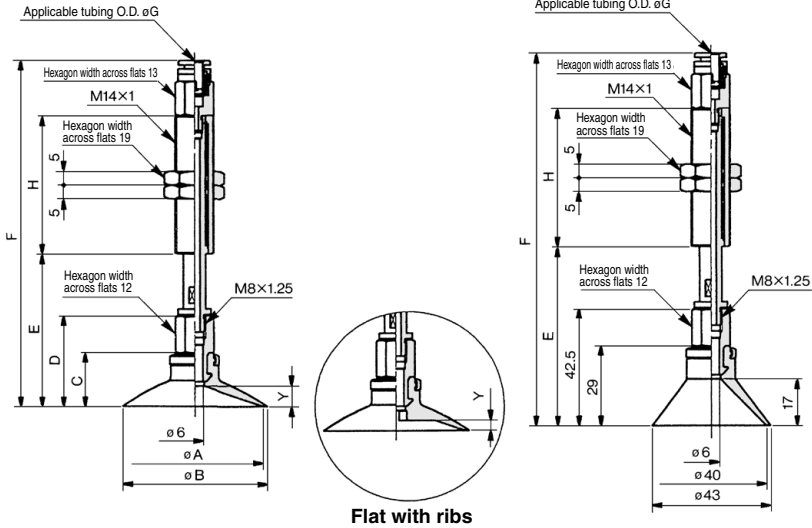
Dimensions by Applicable tubing O.D.

Applicable tubing O.D.	J
ø4	13.9
ø6	14.7

Connection	One-touch fitting (Buffer)	Pad Form	Flat/Flat with ribs/Deep
Vacuum Entry Port	Vertical	Mounting	Buffer body

Flat/Flat with ribs/ø40, ø50

Deep/ø40



ø40, ø50

Flat/Flat with Ribs

Model	A	B	C	D	Y	
					Flat	Flat with ribs
ZPT40 $\frac{1}{2}$ □□□□□□□□-A14	40	43	18.5	32	6.5	3.3
ZPT50 $\frac{1}{2}$ □□□□□□□□-A14	50	53	19.5	33	7.5	3.8

Dimensions by Stroke

Model	ø40			ø50			H
	E	F		E	F		
		G: 6	G: 8		G: 6	G: 8	
ZPT□□ $\frac{1}{2}$ □□□□□□□□10-0□-A14	44.5	129.5	135	45.5	130.5	136	50
ZPT□□ $\frac{1}{2}$ □□□□□□□□20-0□-A14	54.5	124.4	129.4	55.5	125.4	130.4	
ZPT□□ $\frac{1}{2}$ □□□□□□□□30-0□-A14	64.5	134.4	139.4	65.5	135.4	140.4	
ZPT□□ $\frac{1}{2}$ □□□□□□□□50-0□-A14	84.5	179.4	184.4	85.5	180.4	185.4	

ø40

Deep

Model	E	F		H
		G: 6	G: 8	
ZPT40D□□□□□□□□10-0□-A14	55	140	145.5	50
ZPT40D□□□□□□□□20-0□-A14	65	134.9	139.9	
ZPT40D□□□□□□□□30-0□-A14	75	144.9	149.9	
ZPT40D□□□□□□□□50-0□-A14	95	189.9	194.9	

ZP3

ZP3E

ZP2

ZP2V

ZP

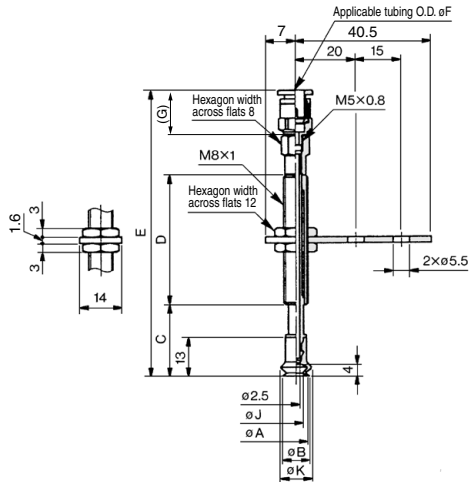
ZPT
ZPR

XT661

ZPT Series

Connection	One-touch fitting (Buffer)	Pad Form	Bellows
Vacuum Entry Port	Vertical	Mounting	Buffer body

Bellows/ø6, ø8



ø6, ø8

Bellows

Model	A	B	J	K
ZPT06B□□□□-0□-A8	6	7	3.4	9
ZPT08B□□□□-0□-A8	8	9	4.8	10

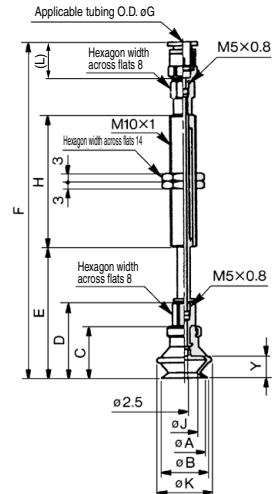
Dimensions by Stroke

Model	C	D	E	
			F: 4	F: 6
ZPT□□B□□□ 6-0□-A8	19	15	61	62
ZPT□□B□□□ 10-0□-A8	24		94	95
ZPT□□B□□□ 15-0□-A8	29	43	99	100
ZPT□□B□□□ 25-0□-A8	39		109	110

Dimensions by Applicable tubing O.D.

Applicable tubing O.D.	G
ø4	13.9
ø6	14.7

Bellows/ø10, ø13, ø16



ø10, ø13, ø16

Bellows

Model	A	B	C	D	J	K	Y
ZPT10B□□□□-0□-A10	10	12	16	25	5.5	13.5	5.5
ZPT13B□□□□-0□-A10	13	15	18.5	27.5	8.7	19	7.5
ZPT16B□□□□-0□-A10	16	18	20	29	10	21	8.5

Dimensions by Stroke

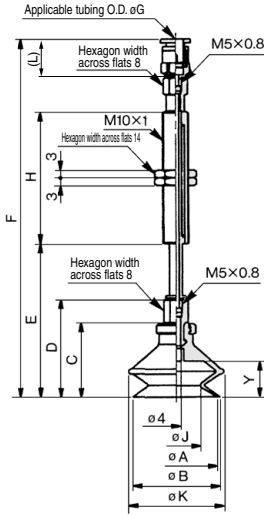
Model	ø10			ø13			ø16			H
	E	F		E	F		E	F		
		G: 4	G: 6		G: 4	G: 6		G: 4	G: 6	
ZPT□□B□□□10-0□-A10	36.5	86.5	87.5	39	89	90	40.5	90.5	91.5	23
ZPT□□B□□□20-0□-A10	46.5	124.5	125.5	49	127	128	50.5	128.5	129.5	51
ZPT□□B□□□30-0□-A10	56.5	134.5	135.5	59	137	138	60.5	138.5	139.5	
ZPT□□B□□□40-0□-A10	66.5	170.5	171.5	69	173	174	70.5	174.5	185.5	77
ZPT□□B□□□50-0□-A10	76.5	180.5	181.5	79	183	184	80.5	184.5	185.5	

Dimensions by Applicable tubing O.D.

Applicable tubing O.D.	L
ø4	13.9
ø6	14.7

Connection	One-touch fitting (Buffer)	Pad Form	Bellows
Vacuum Entry Port	Vertical	Mounting	Buffer body

Bellows/ø20, ø25, ø32



ø20, ø25, ø32

Bellows

Model	A	B	C	D	J	K	Y
ZPT20B□□□□□□□□-A10	20	22	23.5	32.5	12.6	25	10.5
ZPT25B□□□□□□□□-A10	25	27	24	33	16	28	
ZPT32B□□□□□□□□-A10	32	34	29	38	18.9	37	14

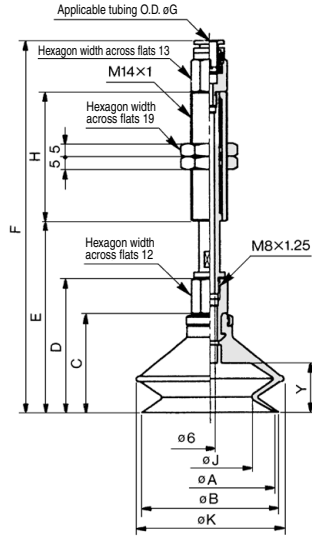
Dimensions by Stroke

Model	ø20			ø25			ø32			H
	E	F		E	F		E	F		
		G: 4	G: 6		G: 4	G: 6		G: 4	G: 6	
ZPT□□B□□□□□□10-0□-A10	44	94	95	44.5	94.5	95.5	49.5	99.5	100.5	23
ZPT□□B□□□□□□20-0□-A10	54	132	133	54.5	132.5	133.5	59.5	137.5	138.5	51
ZPT□□B□□□□□□30-0□-A10	64	142	143	64.5	142.5	143.5	69.5	147.5	148.5	51
ZPT□□B□□□□□□40-0□-A10	74	178	179	74.5	178.5	179.5	79.5	183.5	184.5	77
ZPT□□B□□□□□□50-0□-A10	84	188	189	84.5	188.5	189.5	89.5	193.5	194.5	77

Dimensions by Applicable tubing O.D.

Applicable tubing O.D.	L
ø4	13.9
ø6	14.7

Bellows/ø40, ø50



ø40, ø50

Bellows

Model	A	B	C	D	J	K	Y
ZPT40B□□□□□□□□-A14	40	43	34	47.5	24.4	47	16
ZPT50B□□□□□□□□-A14	50	53	38	51.5	33.4	57	19

Dimensions by Stroke

Model	ø40			ø50			H
	E	F		E	F		
		G: 6	G: 8		G: 6	G: 8	
ZPT□□B□□□□□□10-0□-A14	60	145	150.5	64	149	154.5	
ZPT□□B□□□□□□20-0□-A14	70	139.9	144.9	74	143.9	148.9	50
ZPT□□B□□□□□□30-0□-A14	80	149.9	154.9	84	153.9	158.9	
ZPT□□B□□□□□□50-0□-A14	100	184.9	199.9	104	188.9	203.9	75

ZP3

ZP3E

ZP2

ZP2V

ZP

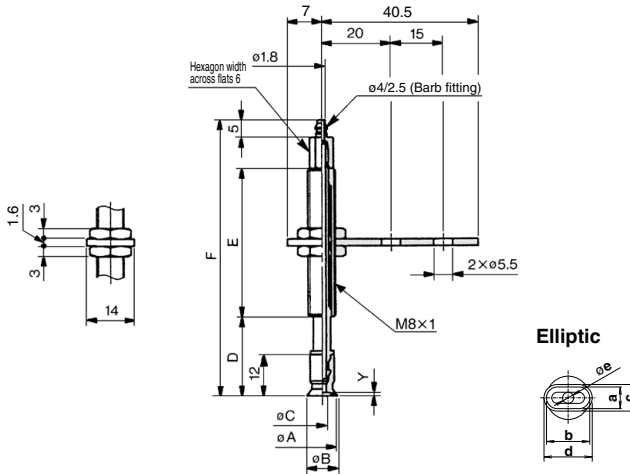
ZPT
ZPR

XT661

ZPT Series

Connection	Barb fitting (Buffer)	Pad Form	Flat/Thin flat/Thin flat with ribs/Elliptic
Vacuum Entry Port	Vertical	Mounting	Buffer body

Flat/ø2, ø4, ø6, ø8, Thin flat/Thin flat with ribs/ø10, ø13, ø16, Elliptic/2004, 3507, 4010



Flat

Model	A	B	C	Y
ZPT02U□□□□□□-□4-A8	2	2.6	1.2	0.5
ZPT04U□□□□□□-□4-A8	4	4.8	1.6	0.8
ZPT06U□□□□□□-□4-A8	6	7	2.5	
ZPT08U□□□□□□-□4-A8	8	9		1

Dimensions by Stroke

Model	D	E	F
ZPT□□□□□□ 6-□4-A8	18	15	47
ZPT□□□□□□10-□4-A8	23		80
ZPT□□□□□□15-□4-A8	28	43	85
ZPT□□□□□□25-□4-A8	38		95

Elliptic

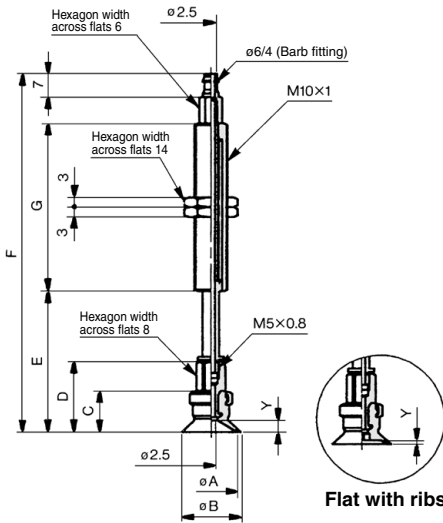
Model	a	b	c	d	e	Y
ZPT2004U	2	4	2.6	4.6	1.2	0.3
ZPT3507U	3.5	7	4.3	7.8	1.8	0.5
ZPT4010U	4	10	5	11	2	0.8

Thin Flat/Thin Flat with Ribs

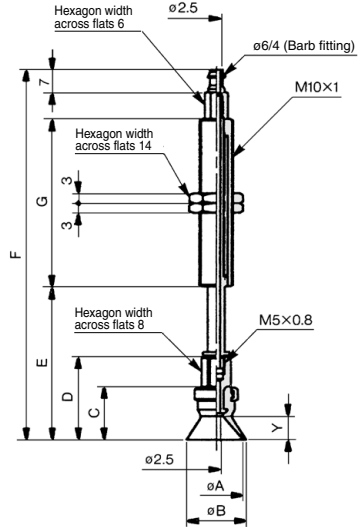
Model	A	B	C	Y
ZPT10UT□□	10	11	2.5	1
ZPT13UT□□	13	14		1.5
ZPT16UT□□	16	17		
ZPT10CT□□	10	11		0.8
ZPT13CT□□	13	14	1	
ZPT16CT□□	16	17		

Connection	Barb fitting (Buffer)	Pad Form	Flat/Flat with ribs/Deep
Vacuum Entry Port	Vertical	Mounting	Buffer body

Flat/Flat with ribs/ø10, ø13, ø16



Deep/ø10, ø16



ø10, ø13, ø16

Flat/Flat with Ribs

Model	A	B	C	D	Y	
					Flat	Flat with ribs
ZPT10 $\frac{1}{2}$ □ □ □ □ □ □ □ □ 6-A10	10	12	12	21	3	1.7
ZPT13 $\frac{1}{2}$ □ □ □ □ □ □ □ □ 6-A10	13	15			3	1.8
ZPT16 $\frac{1}{2}$ □ □ □ □ □ □ □ □ 6-A10	16	18	12.5	21.5	3.5	1.2

Dimensions by Stroke

Model	ø10, ø13		ø16		G
	E	F	E	F	
ZPT □ □ □ □ □ □ □ □ 10-□ □ 6-A10	32.5	70.5	33	71	23
ZPT □ □ □ □ □ □ □ □ 20-□ □ 6-A10	42.5	108.5	43	109	51
ZPT □ □ □ □ □ □ □ □ 30-□ □ 6-A10	52.5	118.5	53	119	
ZPT □ □ □ □ □ □ □ □ 40-□ □ 6-A10	62.5	154.5	63	155	77
ZPT □ □ □ □ □ □ □ □ 50-□ □ 6-A10	72.5	164.5	73	165	

ø10, ø16

Deep

Model	A	B	C	D	Y
ZPT10D □ □ □ □ □ □ □ □ 6-A10	10	12	15	24	6
ZPT16D □ □ □ □ □ □ □ □ 6-A10	16	18	16	25	7

Dimensions by Stroke

Model	ø10		ø16		G
	E	F	E	F	
ZPT □ □ □ □ □ □ □ □ 10-□ □ 6-A10	35.5	73.5	36.5	74.5	23
ZPT □ □ □ □ □ □ □ □ 20-□ □ 6-A10	45.5	111.5	46.5	112.5	51
ZPT □ □ □ □ □ □ □ □ 30-□ □ 6-A10	55.5	121.5	56.5	122.5	
ZPT □ □ □ □ □ □ □ □ 40-□ □ 6-A10	65.5	157.7	66.5	158.5	77
ZPT □ □ □ □ □ □ □ □ 50-□ □ 6-A10	75.5	167.5	76.5	168.5	

ZP3

ZP3E

ZP2

ZP2V

ZP

ZPT
ZPR

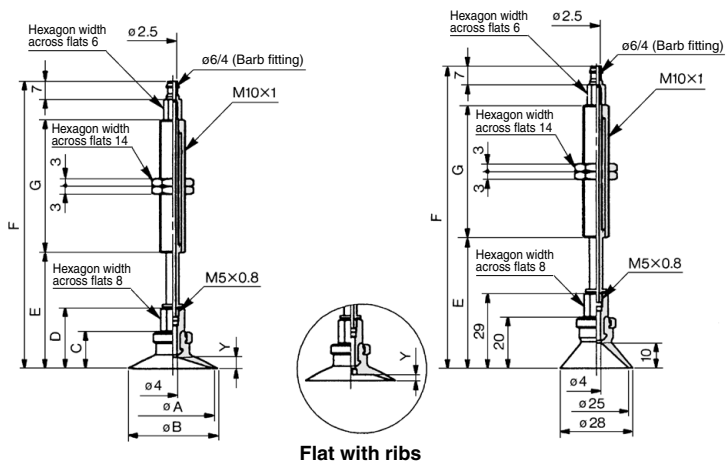
XT661

ZPT Series

Connection	Barb fitting (Buffer)	Pad Form	Flat/Flat with ribs/Deep
Vacuum Entry Port	Vertical	Mounting	Buffer body

Flat/Flat with ribs/ø20, ø25, ø32

Deep/ø25



ø20, ø25, ø32

Flat/Flat with Ribs

Model	A	B	C	D	Y	
					Flat	Flat with ribs
ZPT20 ½ □ □ □ □ □ □ □ □ 6-A10	20	23	14	23	4	1.7
ZPT25 ½ □ □ □ □ □ □ □ □ 6-A10	25	28			1.8	
ZPT32 ½ □ □ □ □ □ □ □ □ 6-A10	32	35	14.5	23.5	4.5	2.3

Dimensions by Stroke

Model	ø20, ø25		ø32		G
	E	F	E	F	
ZPT □ □ □ □ □ □ □ □ 10 □ □ 6-A10	34.5	72.5	35	73	23
ZPT □ □ □ □ □ □ □ □ 20 □ □ 6-A10	44.5	110.5	45	111	51
ZPT □ □ □ □ □ □ □ □ 30 □ □ 6-A10	54.5	120.5	55	121	77
ZPT □ □ □ □ □ □ □ □ 40 □ □ 6-A10	64.5	156.5	65	157	
ZPT □ □ □ □ □ □ □ □ 50 □ □ 6-A10	74.5	166.5	75	167	

ø25

Deep

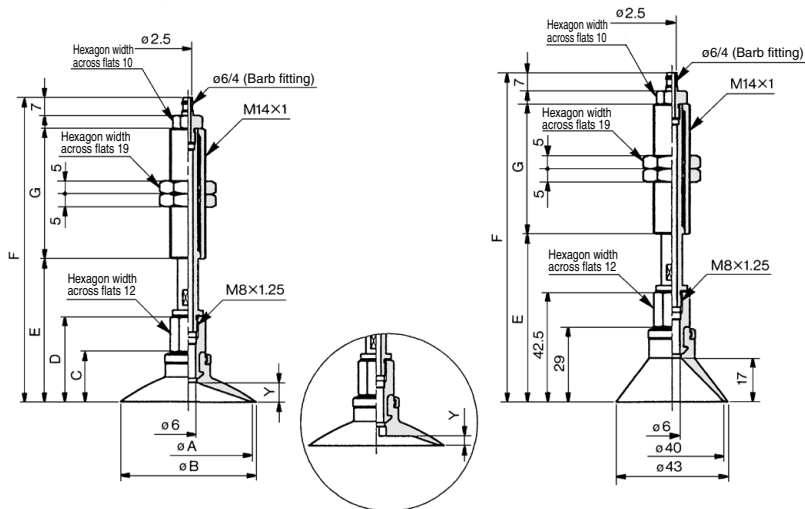
Model	E	F	G
ZPT25D □ □ □ □ 10 □ □ 6-A10	40.5	78.5	23
ZPT25D □ □ □ □ 20 □ □ 6-A10	50.5	116.5	51
ZPT25D □ □ □ □ 30 □ □ 6-A10	60.5	126.5	
ZPT25D □ □ □ □ 40 □ □ 6-A10	70.5	162.5	77
ZPT25D □ □ □ □ 50 □ □ 6-A10	80.5	172.5	

Vacuum Pad/ Vertical Vacuum Entry with Buffer **ZPT Series**

Connection	Barb fitting (Buffer)	Pad Form	Flat/Flat with ribs/Deep
Vacuum Entry Port	Vertical	Mounting	Buffer body

Flat/Flat with ribs/ø40, ø50

Deep/ø40



Flat with ribs

ø40, ø50

Flat/Flat with Ribs

Model	A	B	C	D	Y	
					Flat	Flat with ribs
ZPT40 6-A14	40	43	18.5	32	6.5	3.3
ZPT50 6-A14	50	53	19.5	33	7.5	3.8

Dimensions by Stroke

Model	ø40		ø50		G
	E	F	E	F	
ZPT 10-6-A14	44.5	113.5	45.5	114.5	50
ZPT 20-6-A14	54.5	116.5	55.5	117.5	
ZPT 30-6-A14	64.5	126.5	65.5	127.5	
ZPT 50-6-A14	84.5	171.5	85.5	172.5	

ø40

Deep

Model	E	F	G
ZPT40D 10-6-A14	55	124	50
ZPT40D 20-6-A14	65	127	
ZPT40D 30-6-A14	75	137	75
ZPT40D 50-6-A14	95	182	

ZP3

ZP3E

ZP2

ZP2V

ZP

ZPT

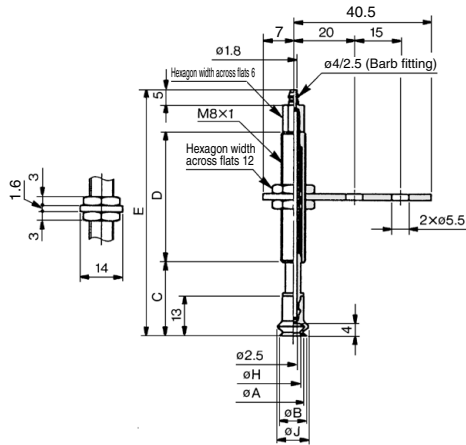
ZPR

XT661

ZPT Series

Connection	Barb fitting (Buffer)	Pad Form	Bellows
Vacuum Entry Port	Vertical	Mounting	Buffer body

Bellows/ø6, ø8



ø6, ø8

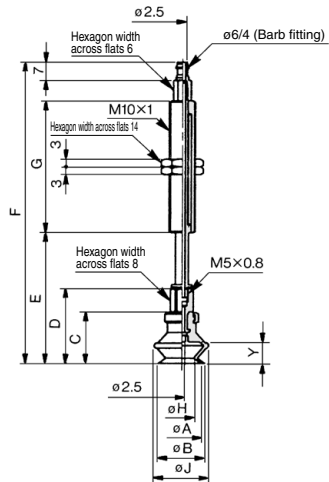
Bellows

Model	A	B	H	J
ZPT06B□□□□□□□□□□4-A8	6	7	3.4	9
ZPT08B□□□□□□□□□□4-A8	8	9	4.8	10

Dimensions by Stroke

Model	C	D	E
ZPT□□B□□□□□□□□□□6-□4-A8	19	15	48
ZPT□□B□□□□□□□□□□10-□4-A8	24		81
ZPT□□B□□□□□□□□□□15-□4-A8	29	43	86
ZPT□□B□□□□□□□□□□25-□4-A8	39		96

Bellows/ø10, ø13, ø16



ø10, ø13, ø16

Bellows

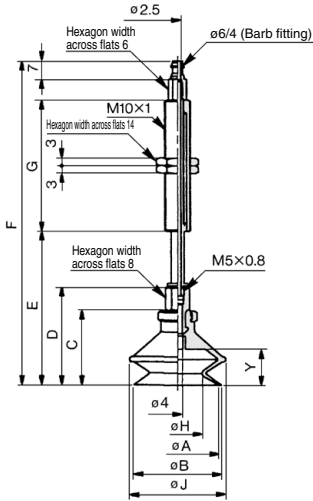
Model	A	B	C	D	H	J	Y
ZPT10B□□□□□□□□□□6-A10	10	12	16	25	5.5	13.5	5.5
ZPT13B□□□□□□□□□□6-A10	13	15	18.5	27.5	8.7	19	7.5
ZPT16B□□□□□□□□□□6-A10	16	18	20	29	10	21	8.5

Dimensions by Stroke

Model	ø10		ø13		ø16		G
	E	F	E	F	E	F	
ZPT□□B□□□□□□□□□□6-A10	36.5	74.5	39	77	40.5	78.5	23
ZPT□□B□□□□□□□□□□20-□6-A10	46.5	112.5	49	115	50.5	116.5	
ZPT□□B□□□□□□□□□□30-□6-A10	56.5	122.5	59	125	60.5	126.5	
ZPT□□B□□□□□□□□□□40-□6-A10	66.5	158.5	69	161	70.5	162.5	77
ZPT□□B□□□□□□□□□□50-□6-A10	76.5	168.5	79	171	80.5	172.5	

Connection	Barb fitting (Buffer)	Pad Form	Bellows
Vacuum Entry Port	Vertical	Mounting	Buffer body

Bellows/ø20, ø25, ø32



ø20, ø25, ø32

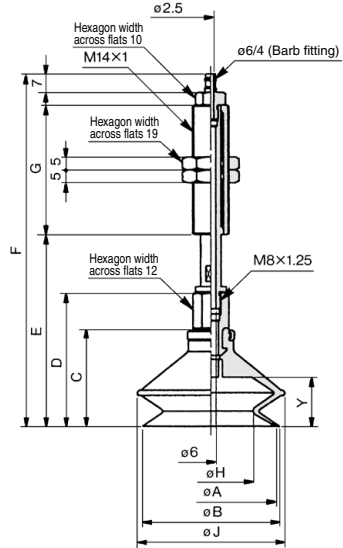
Bellows

Model	A	B	C	D	H	J	Y
ZPT20B□□□□□□□□□□6-A10	20	22	23.5	32.5	12.6	25	10.5
ZPT25B□□□□□□□□□□6-A10	25	27	24	33	16	28	
ZPT32B□□□□□□□□□□6-A10	32	34	29	38	18.9	37	14

Dimensions by Stroke

Model	ø20		ø25		ø32		G
	E	F	E	F	E	F	
ZPT□□B□□□□□10□□6-A10	44	82	44.5	82.5	49.5	87.5	23
ZPT□□B□□□□□20□□6-A10	54	120	54.5	120.5	59.5	125.5	51
ZPT□□B□□□□□30□□6-A10	64	130	64.5	130.5	69.5	135.5	51
ZPT□□B□□□□□40□□6-A10	74	166	74.5	166.5	79.5	171.5	77
ZPT□□B□□□□□50□□6-A10	84	176	84.5	176.5	89.5	181.5	77

Bellows/ø40, ø50



ø40, ø50

Bellows

Model	A	B	C	D	H	J	Y
ZPT40B□□□□□□□□□□6-A14	40	43	34	47.5	24.4	47	16
ZPT50B□□□□□□□□□□6-A14	50	53	38	51.5	33.4	57	19

Dimensions by Stroke

Model	ø40		ø50		G
	E	F	E	F	
ZPT□□B□□□□□10□□6-A14	60	129	64	133	
ZPT□□B□□□□□20□□6-A14	70	132	74	136	50
ZPT□□B□□□□□30□□6-A14	80	142	84	146	
ZPT□□B□□□□□50□□6-A14	100	187	104	191	75

ZP3

ZP3E

ZP2

ZP2V

ZP

ZPT
ZPR

XT661



Vacuum Pad/ Lateral Vacuum Entry with One-touch Fitting Without Buffer

ZPR Series



Specifications

Vacuum entry	Direction			
	Applicable tube dia.	Connection	Lateral	
Elliptic (2 x 4, 3.5 x 7, 4 x 10) Thin section series (ø10 to ø16) ø2 to ø8		One-touch fitting		
ø10 to ø16		ø4, ø6 tube		
ø20 to ø32		ø4, ø6, ø8 tube		
ø40 to ø50		ø6, ø8 tube		
Mounting	Connection			
	Thread dia.	Male thread	Female thread	
		Elliptic (2 x 4, 3.5 x 7, 4 x 10) Thin section series (ø10 to ø16) ø2 to ø8	M5 x 0.8, M6 x 1	M4 x 0.7, M5 x 0.8
		ø10 to ø16	M5 x 0.8, M6 x 1	M5 x 0.8, M6 x 1
		ø20 to ø32	M6 x 1, M8 x 1	M5 x 0.8, M6 x 1, M8 x 1.25
ø40 to ø50		M6 x 1, M8 x 1	M6 x 1, M8 x 1.25	

Pad Type

Pad form	Flat	Flat with ribs	Deep	Bellows	Thin flat/Thin flat with ribs
Pad diameter (mm)	2, 4, 6, 8, 2 x 4, 3.5 x 7, 4 x 10, 10, 13, 16, 20, 25, 32, 40, 50	10, 13, 16, 20, 25, 32, 40, 50	10, 16, 25, 40	6, 8, 10, 13, 16, 20, 25, 32, 40, 50	10, 13, 16
Material (Color)	NBR (Black), Silicone rubber (White), Urethane rubber (Brown), FKM (Black with green mark) Conductive NBR (Black with one silver mark), Conductive silicone rubber (Black with two silver marks)				
Durometer	NBR (A50/S), Silicone rubber (A40/S), Urethane rubber/FKM (A60/S) Conductive NBR (A50/S), Conductive silicone rubber (A50/S)				

Weight/Male Thread (Female thread)

(g)

Model	Pad form		Flat				Flat with ribs			Deep			Bellows			
	M4	M5	M6	M8	M5	M6	M8	M5	M6	M8	M4	M5	M6	M8		
ZPR02 to 08 2004, 3507, 4010 Thin section series 10 to 16	— (19)	26 (20)	27 (—)	—	—	—	—	—	—	—	(19) (Except ø2, ø4)	26 (20) (Except ø2, ø4)	27 (—) (Except ø2, ø4)	—		
ZPR10	—	29 (23)	31 (21)	—	29 (23)	31 (22)	—	29 (23)	30 (22)	—	—	29 (23)	31 (22)	—		
ZPR13	—	—	—	—	—	—	—	—	—	—	—	—	—	—		
ZPR16	—	—	—	—	—	—	—	31 (23)	31 (22)	—	—	—	—	—		
ZPR20	—	—	—	—	—	—	—	—	—	—	—	—	—	—		
ZPR25	—	—	57 (50)	61 (48)	—	57 (50)	61 (48)	—	65 (51)	68 (48)	—	—	57 (50)	61 (48)		
ZPR32	—	—	—	—	—	—	—	—	—	—	—	—	—	—		
ZPR40	—	—	64 (56)	67 (54)	—	64 (56)	67 (54)	—	65 (57)	68 (55)	—	—	64 (56)	67 (54)		
ZPR50	—	—	66 (58)	69 (56)	—	67 (59)	70 (57)	—	—	—	—	—	66 (58)	69 (56)		

(): Figures for female thread connections.

How to Order

ZPR Series
Without buffer

ZPR **02** **U** **N** - **04** - **A5**

Pad diameter

2004	2 x 4
3507	3.5 x 7
4010	4 x 10
02	ø2
04	ø4
06	ø6
08	ø8
10	ø10
13	ø13
16	ø16
20	ø20
25	ø25
32	ø32
40	ø40
50	ø50

Pad type
(Refer to "Table (1)" for applications.)

U	Flat
C	Flat with ribs
D	Deep
B	Bellows
UT	Thin flat
CT	Thin flat with ribs

Mounting thread
(Refer to "Table (2)" for applications.)

Vacuum entry port
(Refer to "Table (2)" for applications.)

Table (2) Vacuum Entry/Mounting Thread Diameter

Connection	Symbol	Thread dia./ Port size	ø2 to ø8 2 x 4 3.5 x 7 4 x 10 ø10 to ø16 (Thin section series)	ø10 to ø16	ø20 to ø32	ø40 to ø50	
Vacuum entry One-touch fitting	04	ø4 tube	●	●	●	—	
	06	ø6 tube	●	●	●	●	
	08	ø8 tube	—	—	●	●	
Mounting Male thread	A5	M5 x 0.8	●	●	—	—	
	A6	M6 x 1	●	●	●	●	
	A8	M8 x 1	—	—	●	●	
	Female thread	B4	M4 x 0.7	●	—	—	—
		B5	M5 x 0.8	●	●	—	—
		B6	M6 x 1	—	●	●	●
		B8	M8 x 1.25	—	—	●	●

Material

N	NBR
S	Silicone rubber
U	Urethane rubber
F	FKM
GN	Conductive NBR
GS	Conductive silicone rubber

Table (1) Pad Diameter/Pad Type

Type \ Dia.	2 x 4	3.5 x 7	4 x 10	ø2	ø4	ø6	ø8	ø10	ø13	ø16	ø20	ø25	ø32	ø40	ø50
Flat	●	●	●	●	●	●	●	●	●	●	●	●	●	●	●
Flat with ribs	—	—	—	—	—	—	●	●	●	●	●	●	●	●	●
Deep	—	—	—	—	—	—	—	—	—	●	—	—	—	—	—
Bellows	—	—	—	—	—	●	●	●	●	●	●	●	●	●	●
Thin flat	—	—	—	—	—	—	—	—	—	●	—	—	—	—	—
Thin flat with ribs	—	—	—	—	—	—	●	●	●	—	—	—	—	—	—

ZP3

ZP3E

ZP2

ZP2V

ZP

ZPT
ZPR

XT661

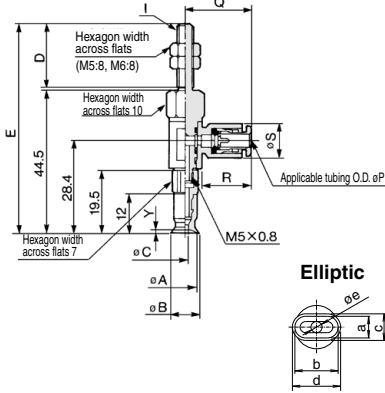
ZPR Series

Connection	One-touch fitting	Pad Form	Flat/Flat with ribs/Deep/Thin flat/ Thin flat with ribs/Elliptic
Vacuum Entry Port	Lateral	Mounting	Male thread

Size/Flat $\phi 2$, $\phi 4$, $\phi 6$, $\phi 8$ /Thin flat/Thin flat with ribs $\phi 10$, $\phi 13$, $\phi 16$ /
Elliptic 2004, 3507, 4010

Size/ $\phi 10$, $\phi 13$, $\phi 16$

Flat/Thin flat/Thin flat with ribs



Flat

Model	A	B	C	I: M5 x 0.8		I: M6 x 1		Y
				D	E	D	E	
ZPR02U	2	2.6	1.2					0.5
ZPR04U	4	4.8	1.6	20	65.5	25	70.5	0.8
ZPR06U	6	7	2.5					
ZPR08U	8	9	2.5					1

Applicable Tubing

Applicable tubing O.D.	P	Q	R	S
$\phi 4$	4	20.6	15.6	10.4
$\phi 6$	6	21.6	16.6	12.8

Elliptic

Model	a	b	c	d	e	Y
ZPR2004U	2	4	2.6	4.6	1.2	0.3
ZPR3507U	3.5	7	4.3	7.8	1.8	0.5
ZPR4010U	4	10	5	11	2	0.8

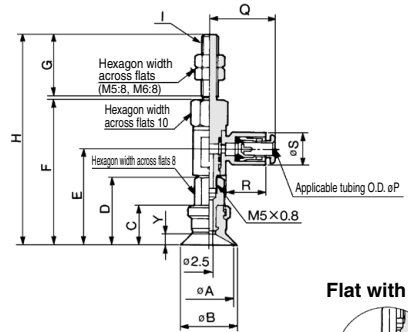
* Dimensions of D, E are the same.

Thin Flat/Thin Flat with Ribs

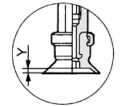
Model	A	B	Y
ZPR10UT	10	11	1
ZPR13UT	13	14	1.5
ZPR16UT	16	17	
ZPR10CT	10	11	0.8
ZPR13CT	13	14	1
ZPR16CT	16	17	

* Dimensions of D, E are the same.

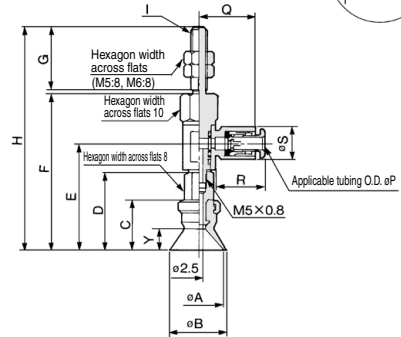
Flat



Flat with ribs



Deep: ZPR10D, 16D only



Flat/Flat with Ribs

Model	A	B	C	D	E	F	I: M5 x 0.8		I: M6 x 1		Y	
							G	H	G	H		
ZPR10 $\frac{U}{C}$	10	12	12	21	29.9	46	20	67	25	72	3	1.7
ZPR13 $\frac{U}{C}$	13	15										1.8
ZPR16 $\frac{U}{C}$	16	18	12.5	21.5	30.4	46.5		67.5		72.5	3.5	1.2

Deep

Model	A	B	C	D	E	F	I: M5 x 0.8		I: M6 x 1		Y
							G	H	G	H	
ZPR10D	10	12	15	24	32.9	49	20	70	25	75	6
ZPR16D	16	18	16	25	33.9	50		71		76	7

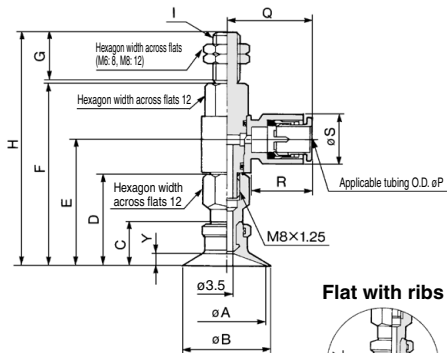
Applicable Tubing

Applicable tubing O.D.	P	Q	R	S
$\phi 4$	4	20.6	15.6	10.4
$\phi 6$	6	21.6	16.6	12.8

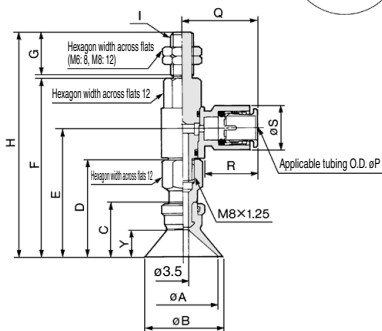
Vacuum Pad/ Lateral Vacuum Entry with One-touch Fitting without Buffer **ZPR Series**

Connection	One-touch fitting	Pad Form	Flat/Flat with ribs/Deep
Vacuum Entry Port	Lateral	Mounting	Male thread

Size/ø20, ø25, ø32



Deep: ZPR25D only



Flat/Flat with Ribs

Model	A	B	C	D	E	F	I: M6 x 1		I: M8 x 1		Y	
							G	H	G	H		
ZPR20 _C	20	23	14	29	39.8	57.6	25	83.5	15	73.5	4	1.7
ZPR25 _C	25	28	14	29	39.8	57.6	25	83.5	15	73.5	4	1.8
ZPR32 _C	32	35	14.5	29.5	40.3	58.1	25	84	15	74	4.5	2.3

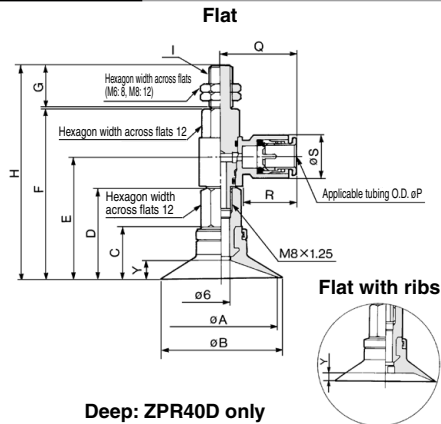
Deep

Model	A	B	C	D	E	F	I: M6 x 1		I: M8 x 1		Y
							G	H	G	H	
ZPR25D	25	28	20	35	48.5	63.6	25	89.5	15	79.5	10

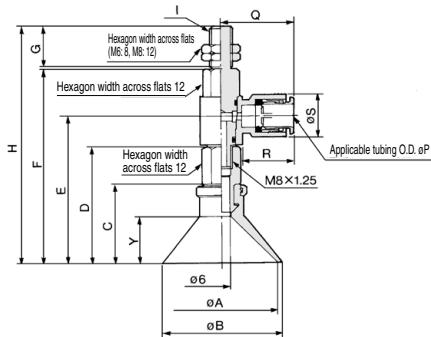
Applicable Tubing

Applicable tubing O.D.	P	Q	R	S
ø4	4	23.3	15.8	10.4
ø6	6	24.3	16.8	12.8
ø8	8	26.2	18.7	15.2

Size/ø40, ø50



Deep: ZPR40D only



Flat/Flat with Ribs

Model	A	B	C	D	E	F	I: M6 x 1		I: M8 x 1		Y	
							G	H	G	H		
ZPR40 _C	40	43	18.5	32	42.8	60.6	25	86.5	15	76.5	6.5	3.3
ZPR50 _C	50	53	19.5	33	43.8	61.6	25	87.5	15	77.5	7.5	3.8

Deep

Model	A	B	C	D	E	F	I: M6 x 1		I: M8 x 1		Y
							G	H	G	H	
ZPR40D	40	43	29	42.5	53.3	71.1	25	97	15	87	17

Applicable Tubing

Applicable tubing O.D.	P	Q	R	S
ø6	6	24.3	16.8	12.8
ø8	8	26.2	18.7	15.2

ZP3

ZP3E

ZP2

ZP2V

ZP

ZPT

ZPR

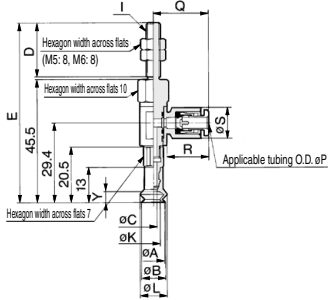
XT661

ZPR Series

Connection	One-touch fitting	Pad Form	Bellows
Vacuum Entry Port	Lateral	Mounting	Male thread

Size/ø6, ø8

Bellows



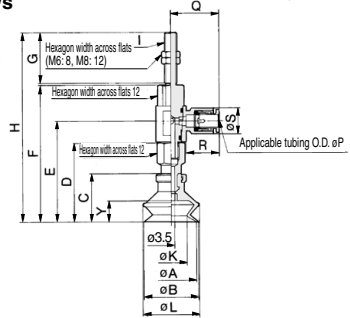
Model	A	B	C	I: M5 x 0.8		I: M6 x 1		K	L	Y
				D	E	D	E			
ZPR06B	6	7		20	66.5	25	71.5	3.4	9	4
ZPR08B	8	9	2.5					4.8	10	

Applicable Tubing

Applicable tubing O.D.	P	Q	R	S
ø4	4	20.6	15.6	10.4
ø6	6	21.6	16.6	12.8

Size/ø20, ø25, ø32

Bellows



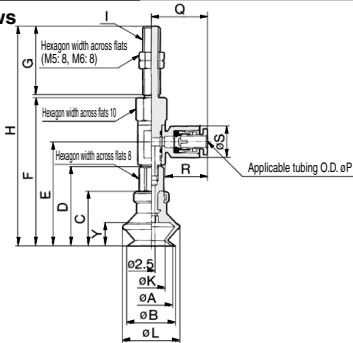
Model	A	B	C	D	E	F	I: M6 x 1		I: M8 x 1		K	L	Y
							G	H	G	H			
ZPR20B	20	22	23.5	38.5	49.3	67.1	25	93	15	83	12.6	25	10.5
ZPR25B	25	27	24	39	49.8	67.6	25	93.5	15	83.5	1.6	28	10.5
ZPR32B	32	34	29	44	54.8	72.6	25	98.5	15	88.5	18.9	37	14

Applicable Tubing

Applicable tubing O.D.	P	Q	R	S
ø4	4	23.3	15.8	10.4
ø6	6	24.3	16.8	12.8
ø8	8	26.2	18.7	15.2

Size/ø10, ø13, ø16

Bellows



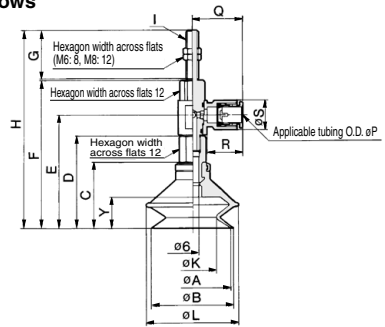
Model	A	B	C	D	E	F	I: M5 x 0.8		I: M6 x 1		K	L	Y
							G	H	G	H			
ZPR10B	10	12	16	25	33.9	50	71	76	5.5	13.5	5.5		
ZPR13B	13	15	18.5	27.5	36.4	52.5	20	73.5	25	78.5	8.7	19	7.5
ZPR16B	16	18	20	29	37.9	54	75	80	10	21	8.5		

Applicable Tubing

Applicable tubing O.D.	P	Q	R	S
ø4	4	20.6	15.6	10.4
ø6	6	21.6	16.6	12.8

Size/ø40, ø50

Bellows



Model	A	B	C	D	E	F	I: M6 x 1		I: M8 x 1		K	L	Y
							G	H	G	H			
ZPR40B	40	43	34	47.5	58.3	76.1	25	102	15	92	24.4	47	16
ZPR50B	50	53	38	51.5	62.3	80.1	25	106	15	96	33.4	57	19

Applicable Tubing

Applicable tubing O.D.	P	Q	R	S
ø6	6	24.3	16.8	12.8
ø8	8	26.2	18.7	15.2

Vacuum Pad/ **ZPR Series**

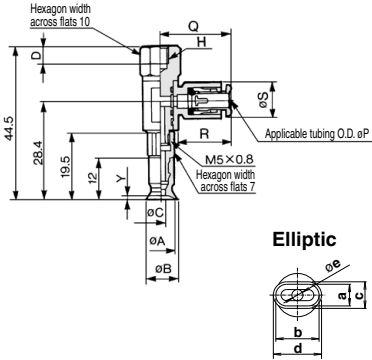
Lateral Vacuum Entry with One-touch Fitting without Buffer

Connection	One-touch fitting	Pad Form	Flat/Flat with ribs/Deep/Thin flat/ Thin flat with ribs/Elliptic
Vacuum Entry Port	Lateral	Mounting	Female thread

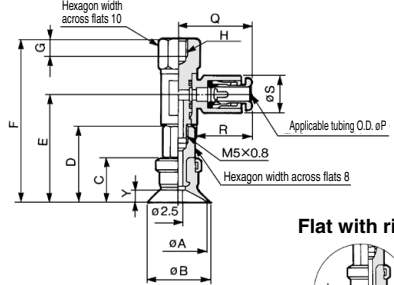
**Size/Flat ø2, ø4, ø6, ø8/Thin flat/Thin flat with ribs ø10, ø13, ø16/
Elliptic 2004, 3507, 4010**

Size/ø10, ø13, ø16

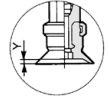
Flat/Thin flat/Thin flat with ribs



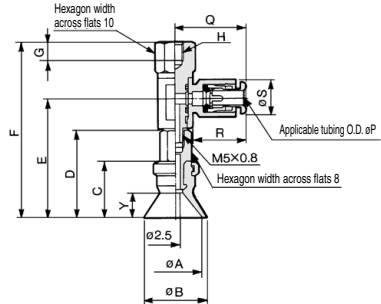
Flat



Flat with ribs



Deep: ZPR10D, 16D only



Flat

Model	A	B	C	H: M4 x 0.7		Y
				D	D	
ZPR02U	2	2.6	1.2	4	5	0.5
ZPR04U	4	4.8	1.6			0.8
ZPR06U	6	7	2.5			0.8
ZPR08U	8	9	2.5			1

Applicable Tubing

Applicable tubing O.D.	P	Q	R	S
ø4	4	20.6	15.6	10.4
ø6	6	21.6	16.6	12.8

Elliptic

Model	a	b	c	d	e	Y
ZPR2004U	2	4	2.6	4.6	1.2	0.3
ZPR3507U	3.5	7	4.3	7.8	1.8	0.5
ZPR4010U	4	10	5	11	2	0.8

* Dimensions of D are the same.

Thin Flat/Thin Flat with Ribs

Model	A	B	C	Y
ZPR10UT	10	11	2.5	1
ZPR13UT	13	14		1.5
ZPR16UT	16	17		0.8
ZPR10CT	10	11		1
ZPR13CT	13	14		
ZPR16CT	16	17		

* Dimensions of D are the same.

Flat/Flat with Ribs

Model	A	B	C	D	E	F	H: M5 x 0.8		H: M6 x 1		Y
							G	G	G	G	
ZPR10 ^U / _C	10	12	12	21	29.9	46	5	6	3	1.7	1.8
ZPR13 ^U / _C	13	15									
ZPR16 ^U / _C	16	18	12.5	21.5	30.4	46.5					

Deep

Model	A	B	C	D	E	F	H: M5 x 0.8		H: M6 x 1		Y
							G	G	G	G	
ZPR10D	10	12	15	24	32.9	49	5	6	6	6	7
ZPR16D	16	18	16	25	33.9	50					

Applicable Tubing

Applicable tubing O.D.	P	Q	R	S
ø4	4	20.6	15.6	10.4
ø6	6	21.6	16.6	12.8

ZP3

ZP3E

ZP2

ZP2V

ZP

ZPT

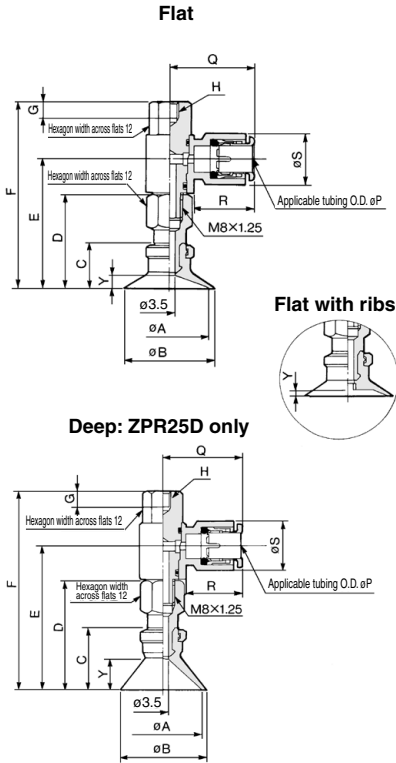
ZPR

XT661

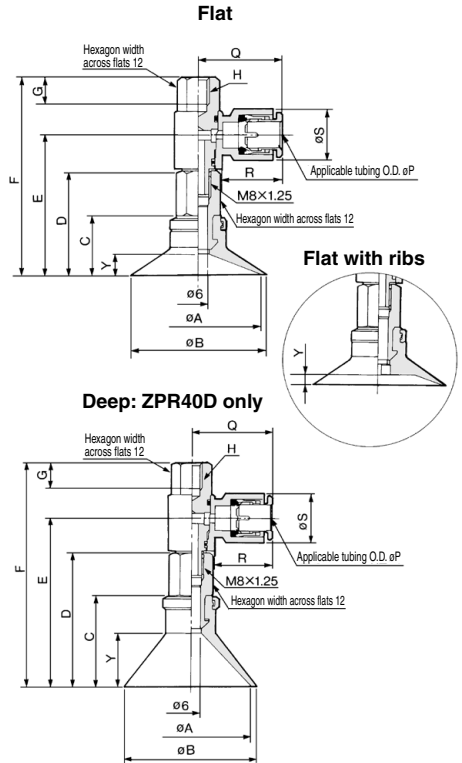
ZPR Series

Connection	One-touch fitting	Pad Form	Flat/Flat with ribs/Deep
Vacuum Entry Port	Lateral	Mounting	Female thread

Size/ø20, ø25, ø32



Size/ø40, ø50



Flat/Flat with Ribs

Model	A	B	C	D	E	F	H:			Flat	Flat with ribs
							M5 x 0.8	M6 x 1	M8 x 1.25		
ZPR20 _C	20	23	14	29	39.8	57.6	5	6	8	4	1.7
ZPR25 _C	25	28									1.8
ZPR32 _C	32	35	14.5	29.5	40.3	58.1				4.5	2.3

Deep

Model	A	B	C	D	E	F	H:			Y
							M5 x 0.8	M6 x 1	M8 x 1.25	
ZPR25D	25	28	20	35	45.8	63.6	5	6	8	10

Applicable Tubing

Applicable tubing O.D.	P	Q	R	S
ø4	4	23.3	15.8	10.4
ø6	6	24.3	16.8	12.8
ø8	8	26.2	18.7	15.2

Flat/Flat with Ribs

Model	A	B	C	D	E	F	H: M6 x 1		H: M8 x 1.25		Flat	Flat with ribs
							G	G	G	G		
ZPR40 _C	40	43	18.5	32	42.8	60.6	6	8	6.5	3.3		
ZPR50 _C	50	53	19.5	33	43.8	61.6			7.5	3.8		

Deep

Model	A	B	C	D	E	F	H: M6 x 1		H: M8 x 1.25		Y
							G	G	G	G	
ZPR40D	40	43	29	42.5	53.3	71.1	6	8	8	17	

Applicable Tubing

Applicable tubing O.D.	P	Q	R	S
ø6	6	24.3	16.8	12.8
ø8	8	26.2	18.7	15.2

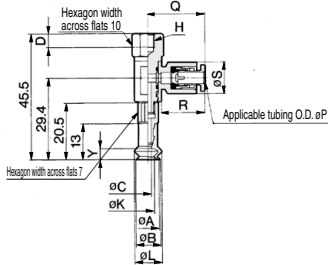
Vacuum Pad/ **ZPR Series**

Lateral Vacuum Entry with One-touch Fitting Without Buffer

Connection	One-touch fitting	Pad Form	Bellows
Vacuum Entry Port	Lateral	Mounting	Female thread

Size/ø6, ø8

Bellows



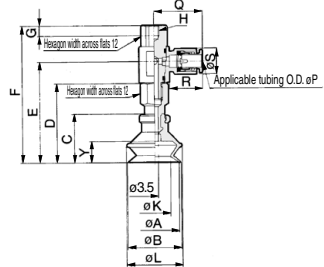
Model	A	B	C	H: M4 x 0.7		K	L	Y
				D	D			
ZPR06B	6	7	2.5	4	5	3.4	9	4
ZPR08B	8	9	2.5	4	5	4.8	10	4

Applicable Tubing

Applicable tubing O.D.	P	Q	R	S
ø4	4	20.6	15.6	10.4
ø6	6	21.6	16.6	12.8

Size/ø20, ø25, ø32

Bellows



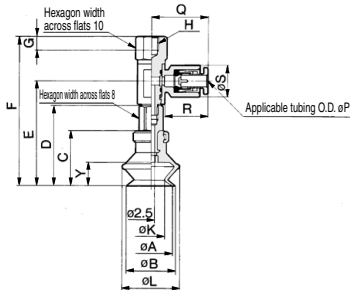
Model	A	B	C	D	E	F	H: M5 x 0.8		H: M6 x 1		H: M6 x 1.25		K	L	Y
							G	G	G	G	G	G			
ZPR20B	20	22	23.5	38.5	49.3	67.1			5	6	8	12.6	25	10.5	
ZPR25B	25	27	24	39	49.8	67.6			5	6	8	16	28	10.5	
ZPR32B	32	34	29	44	54.8	72.6			5	6	8	18.9	37	14	

Applicable Tubing

Applicable tubing O.D.	P	Q	R	S
ø4	4	23.3	15.8	10.4
ø6	6	24.3	16.8	12.8
ø8	8	26.2	18.7	15.2

Size/ø10, ø13, ø16

Bellows



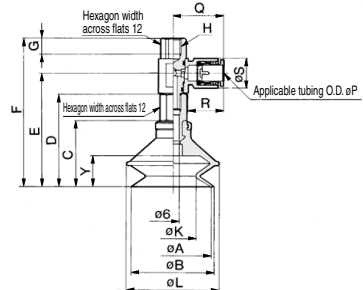
Model	A	B	C	D	E	F	H: M5 x 0.8		H: M6 x 1		K	L	Y
							G	G	G	G			
ZPR10B	10	12	16	25	33.9	50			5.5	13.5	5.5		
ZPR13B	13	15	18.5	27.5	36.4	52.5			5	6	8.7	19	7.5
ZPR16B	16	18	20	29	37.9	54			5	6	10	21	8.5

Applicable Tubing

Applicable tubing O.D.	P	Q	R	S
ø4	4	20.6	15.6	10.4
ø6	6	21.6	16.6	12.8

Size/ø40, ø50

Bellows



Model	A	B	C	D	E	F	H: M6 x 1		H: M8 x 1.25		K	L	Y
							G	G	G	G			
ZPR40B	40	43	34	47.5	58.3	76.1			6	8	24.4	47	16
ZPR50B	50	53	38	51.5	62.3	80.1			6	8	33.4	57	19

Applicable Tubing

Applicable tubing O.D.	P	Q	R	S
ø6	6	24.3	16.8	12.8
ø8	8	26.2	18.7	15.2

ZP3

ZP3E

ZP2

ZP2V

ZP

ZPT

ZPR

XT661



Vacuum Pad/ Lateral Vacuum Entry with One-touch Fitting With Buffer

ZPR Series



Specifications



Vacuum entry	Direction Connection		Lateral One-touch fitting
	Applicable tube dia.	Elliptic (2 x 4, 3.5 x 7, 4 x 10) Thin section series (ø10 to ø16) ø2 to ø8	
ø10 to ø16		ø4, ø6 tube	
ø20 to ø32		ø4, ø6, ø8 tube	
ø40 to ø50		ø6, ø8 tube	
Mounting	Thread dia.	Elliptic (2 x 4, 3.5 x 7, 4 x 10) Thin section series (ø10 to ø16) ø2 to ø8	
		M8 x 1 Male thread	
		ø10 to ø16	
		ø20 to ø32	
		ø40 to ø50	
		M10 x 1 Male thread	
		M10 x 1 Male thread	
		M14 x 1 Male thread	

Buffer Specifications

Dia. (mm)	ø2 to ø8	ø10 to ø32	ø40, ø50
Stroke (mm)	6, 10, 15, 25	10, 20, 30, 40, 50	10, 20, 30, 50
Spring Reactive Force (N)	0 stroke	0.8	1.0
	Full stroke	1.2	3.0
Non-rotating specification		Rotating (J)/Non-rotating (K)	

* Refer to ø2 to ø8 for Thin flat, Thin flat with ribs and Elliptic.

Pad Type

Pad form	Flat	Flat with ribs	Deep	Bellows	Thin flat/Thin flat with ribs
Pad dia. (mm)	2, 4, 6, 8, 2 x 4, 3.5 x 7, 4 x 10, 10, 13, 16, 20, 25, 32, 40, 50	10, 13, 16, 20, 25, 32, 40, 50	10, 16, 25, 40	6, 8, 10, 13, 16, 20, 25, 32, 40, 50	10, 13, 16
Material (Color)	NBR (Black), Silicone rubber (White), Urethane rubber (Brown), FKM (Black with green mark) Conductive NBR (Black with one silver mark), Conductive silicone rubber (Black with two silver marks)				
Durometer	NBR (A50/S), Silicone rubber (A40/S), Urethane rubber/FKM (A60/s) Conductive NBR (A50/S), Conductive silicone rubber (A50/S)				

Weight

(g)

Stroke (mm)	Pad form Vacuum entry port	Flat/Flat with ribs			Deep			Bellows		
		04	06	08	04	06	08	04	06	08
6	Model 2004, 3507, 4010 ZPR02 to 08 Thin section flat series (10 to 16)	38	39	—	—	—	—	38	39	—
	10 ZPR to 16	39	40	—	39	40	—	40	41	—
10	ZPR 20 25	54	55	56	55	56	57	57	58	59
	ZPR 32	56	57	58	—	—	—	61	62	63
10	ZPR 40	—	126	127	—	128	129	—	138	139
	ZPR 50	—	132	133	—	—	—	—	145	146

Weight by Stroke

(g)

Model	Stroke (mm)						
	10	15	20	25	30	40	50
ZPR02 to 08	+7	+8	—	+9	—	—	—
ZPR10 to 32	—	—	+12	—	+14	+26	+28
ZPR40, 50	—	—	-6	—	-2	—	+30

How to Order

ZPR Series
With buffer

ZPR 16 U GS K 20 - 06 - A10

Pad diameter

2004	2 x 4
3507	3.5 x 7
4010	4 x 10
02	ø2
04	ø4
06	ø6
08	ø8
10	ø10
13	ø13
16	ø16
20	ø20
25	ø25
32	ø32
40	ø40
50	ø50

Pad type
(Refer to "Table (1)" for applications.)

U	Flat
C	Flat with ribs
D	Deep
B	Bellows
UT	Thin flat
CT	Thin flat with ribs

Mounting thread/Male thread
(Refer to "Table (3)" for applications.)

Vacuum entry port
(Refer to "Table (3)" for applications.)

Buffer stroke
(Refer to "Table (2)" for applications.)

Buffer type

J	Rotating
K	Non-rotating

Material

N	NBR
S	Silicone rubber
U	Urethane rubber
F	FKM
GN	Conductive NBR
GS	Conductive silicone rubber

Table (1) Pad Diameter/Pad Type

Type \ Dia.	2 x 4	3.5 x 7	4 x 10	ø2	ø4	ø6	ø8	ø10	ø13	ø16	ø20	ø25	ø32	ø40	ø50
Flat	●	●	●	●	●	●	●	●	●	●	●	●	●	●	●
Flat with ribs	—	—	—	—	—	—	—	●	●	●	●	●	●	●	●
Deep	—	—	—	—	—	—	—	—	—	—	—	—	—	—	—
Bellows	—	—	—	—	—	●	●	●	●	●	●	●	●	●	●
Thin flat	—	—	—	—	—	—	—	—	—	—	—	—	—	—	—
Thin flat with ribs	—	—	—	—	—	—	—	●	●	●	—	—	—	—	—

Table (2) Pad Diameter/Stroke

Stroke \ Diameter	2 x 4	3.5 x 7	4 x 10	ø2	ø4	ø6	ø8	Thin flat/ Thin flat with ribs			ø10	ø13	ø16	ø20	ø25	ø32	ø40	ø50
								ø10	ø13	ø16								
6 mm	●	●	●	●	●	●	●	●	●	●	—	—	—	—	—	—	—	—
10 mm	●	●	●	●	●	●	●	●	●	●	●	●	●	●	●	●	●	●
15 mm	●	●	●	●	●	●	●	●	●	●	●	●	●	●	●	●	●	●
20 mm	—	—	—	—	—	—	—	—	—	—	—	●	●	●	●	●	●	●
25 mm	—	●	●	●	●	●	●	●	●	●	—	—	—	—	—	—	—	—
30 mm	—	—	—	—	—	—	—	—	—	—	—	—	●	●	●	●	●	●
40 mm	—	—	—	—	—	—	—	—	—	—	—	—	—	—	—	—	—	—
50 mm	—	—	—	—	—	—	—	—	—	—	—	—	●	●	●	●	●	●

Table (3) Vacuum Entry/Mounting Thread Diameter

Mounting \ Vacuum entry	Symbol	Thread dia./ Port size	ø2 to ø8			
			2 x 4, 3.5 x 7, 4 x 10	ø2 to ø16	ø20 to ø32	ø40, ø50
One-touch fitting	04	ø4 tube	●	●	●	—
	06	ø6 tube	●	●	●	●
	08	ø8 tube	—	—	●	●
Male thread	A8	M8 x 1	●	—	—	—
	A10	M10 x 1	—	●	—	—
	A14	M14 x 1	—	—	—	●

Tightening Torque

(N·m)

Mounting thread diameter	Torque
M8 x 1	1.5 to 2.0
M10 x 1	2.5 to 3.5
M14 x 1	6.5 to 7.5

ZP3

ZP3E

ZP2

ZP2V

ZP

ZPT

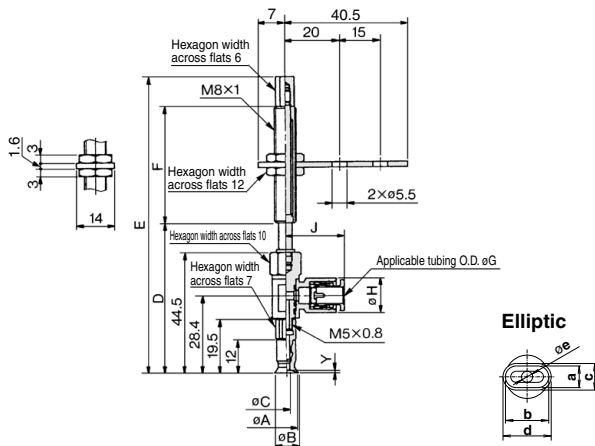
ZPR

XT661

ZPR Series

Connection	One-touch fitting	Pad Form	Flat/Thin flat/Thin flat with ribs/Elliptic
Vacuum Entry Port	Lateral	Mounting	Male thread

Flat/ø2, ø4, ø6, ø8, Thin flat/Thin flat with ribs/ø10, ø13, ø16, Elliptic/2004, 3507, 4010



Flat

Model	A	B	C	Y
ZPR02U□□□□□-0□-A8	2	2.6	1.2	0.5
ZPR04U□□□□□-0□-A8	4	4.8	1.6	0.8
ZPR06U□□□□□-0□-A8	6	7	2.5	
ZPR08U□□□□□-0□-A8	8	9		1

Elliptic

Model	a	b	c	d	e	Y
ZPR2004U	2	4	2.6	4.6	1.2	0.3
ZPR3507U	3.5	7	4.3	7.8	1.8	0.5
ZPR4010U	4	10	5	11	2	0.8

Thin Flat/Thin Flat with Ribs

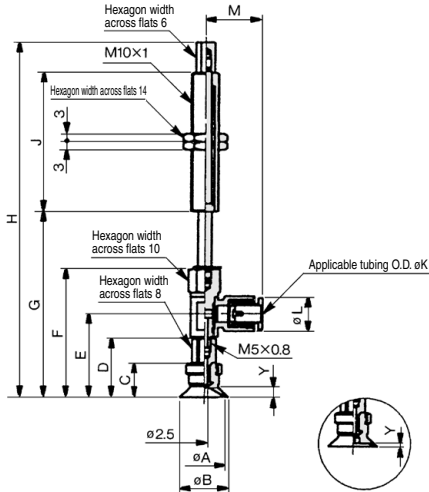
Model	A	B	C	Y
ZPR10UT	10	11	2.5	1
ZPR13UT	13	14		1.5
ZPR16UT	16	17		0.8
ZPR10CT	10	11	1	0.8
ZPR13CT	13	14		
ZPR16CT	16	17		

Dimensions by Stroke

Model	D	E	F	G: 4		G: 6	
				H	J	H	J
ZPR□□□□□□ 6-0□-A8	52.5	78.5	15	10.4	20.6	12.8	21.6
ZPR□□□□□□10-0□-A8	55.5	109.5	43				
ZPR□□□□□□15-0□-A8	60.5	114.5					
ZPR□□□□□□25-0□-A8	70.5	124.5					

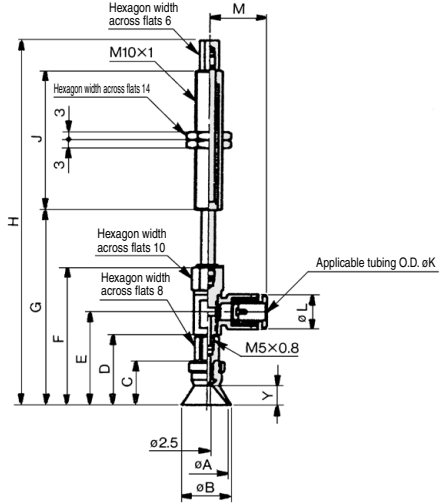
Connection	One-touch fitting	Pad Form	Flat/Flat with ribs/Deep
Vacuum Entry Port	Lateral	Mounting	Male thread

Flat/Flat with ribs/ø10, ø13, ø16



Flat with ribs

Deep/ø10, ø16



ø10, ø13, ø16

Flat/Flat with Ribs

Model	A	B	C	D	E	F	Y	
							Flat	Flat with ribs
ZPR10□□□□□□-0□A10	10	12					3	1.7
ZPR13□□□□□□-0□A10	13	15	12	21	29.9	46		1.8
ZPR16□□□□□□-0□A10	16	18	12.5	21.5	30.4	46.5	3.5	1.2

Dimensions by Stroke

Model	ø10, ø13		ø16		J
	G	H	G	H	
ZPR□□□□□□□□10-0□-A10	57	91	57.5	91.5	23
ZPR□□□□□□□□20-0□-A10	67	129	67.5	129.5	51
ZPR□□□□□□□□30-0□-A10	77	139	77.5	139.5	77
ZPR□□□□□□□□40-0□-A10	87	175	87.5	175.5	
ZPR□□□□□□□□50-0□-A10	97	185	97.5	185.5	

ø10, ø16

Deep

Model	A	B	C	D	E	F	Y
ZPR10D□□□□□□-0□-A10	10	12	15	24	32.9	49	6
ZPR16D□□□□□□-0□-A10	16	18	16	25	33.9	50	7

Dimensions by Stroke

Model	ø10		ø16		J
	G	H	G	H	
ZPR□□D□□□□□□10-0□-A10	60	83	61	84	23
ZPR□□D□□□□□□20-0□-A10	70	132	71	133	51
ZPR□□D□□□□□□30-0□-A10	80	142	81	143	
ZPR□□D□□□□□□40-0□-A10	90	178	91	179	77
ZPR□□D□□□□□□50-0□-A10	100	188	101	189	

One-touch Fitting

Model	K	L	M
ZPR□□□□□□□□04-A10	4	10.4	20.6
ZPR□□□□□□□□06-A10	6	12.8	21.6

ZP3

ZP3E

ZP2

ZP2V

ZP

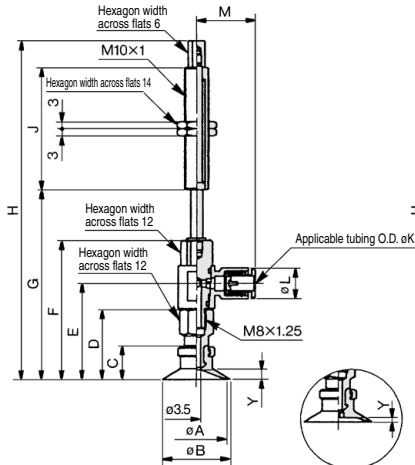
ZPT
ZPR

XT661

ZPR Series

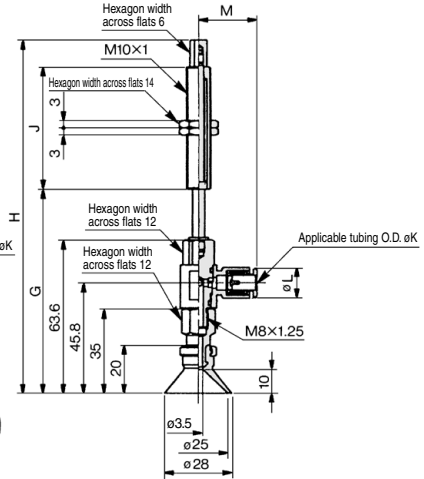
Connection	One-touch fitting	Pad Form	Flat/Flat with ribs/Deep
Vacuum Entry Port	Lateral	Mounting	Male thread

Flat/Flat with ribs/ø20, ø25, ø32



Flat with ribs

Deep/ø25



ø20, ø25, ø32

Flat/Flat with Ribs

Model	A	B	C	D	E	F	Y	
							Flat	Flat with ribs
ZPR20 □□□□□□□□□□-A10	20	23	14	29	39.8	57.6	4	1.7
ZPR25 □□□□□□□□□□-A10	25	28	14.5	29.5	40.3	58.1	4.5	1.8
ZPR32 □□□□□□□□□□-A10	32	35	14.5	29.5	40.3	58.1	4.5	2.3

Dimensions by Stroke

Model	ø20, ø25		ø32		J
	G	H	G	H	
ZPR□□□□□□□□□□10-0□-A10	68.6	102.6	69.1	103.1	23
ZPR□□□□□□□□□□20-0□-A10	78.6	140.6	79.1	141.1	51
ZPR□□□□□□□□□□30-0□-A10	88.6	150.6	89.1	151.1	
ZPR□□□□□□□□□□40-0□-A10	98.6	186.6	99.1	187.1	77
ZPR□□□□□□□□□□50-0□-A10	108.6	196.6	109.6	197.1	

ø25

Deep

Model	G	H	J
ZPR25D□□□□10-0□-A10	74.6	108.6	23
ZPR25D□□□□20-0□-A10	84.6	146.6	51
ZPR25D□□□□30-0□-A10	94.6	156.6	
ZPR25D□□□□40-0□-A10	104.6	192.6	77
ZPR25D□□□□50-0□-A10	114.6	202.6	

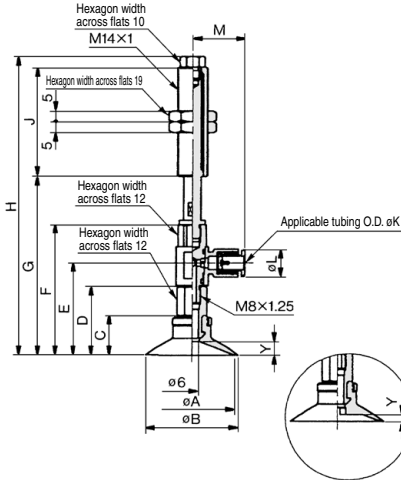
One-touch Fitting

Model	K	L	M
ZPR□□□□□□□□□□04-A10	4	10.4	23.3
ZPR□□□□□□□□□□06-A10	6	12.8	24.3
ZPR□□□□□□□□□□08-A10	8	15.2	26.2

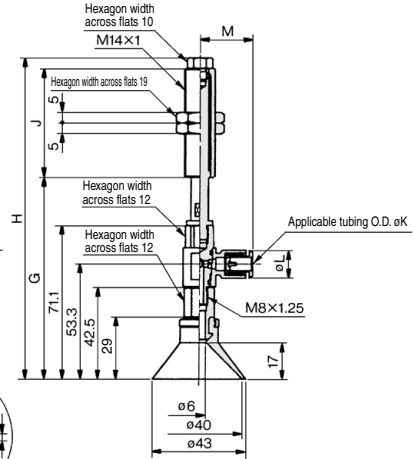
Connection	One-touch fitting	Pad Form	Flat/Flat with ribs/Deep
Vacuum Entry Port	Lateral	Mounting	Male thread

Flat/Flat with ribs/ø40, ø50

Deep/ø40



Flat with ribs



ø40, ø50

Flat/Flat with Ribs

Model	A	B	C	D	E	F	Y	
							Flat	Flat with ribs
ZPR40□□□□□-0□-A14	40	43	18.5	32	42.8	60.6	6.5	3.3
ZPR50□□□□□-0□-A14	50	53	19.5	33	43.8	61.6	7.5	3.8

Dimensions by Stroke

Model	ø40		ø50		J
	G	H	G	H	
ZPR□□□□□□□□□□10-0□-A14	72.6	140.6	73.6	141.6	50
ZPR□□□□□□□□□□20-0□-A14	82.6	137.6	83.6	138.6	
ZPR□□□□□□□□□□30-0□-A14	92.6	147.6	93.6	148.6	
ZPR□□□□□□□□□□50-0□-A14	112.6	192.6	113.6	193.6	

ø40

Deep

Model	G	H	J
ZPR40D□□□□□10-0□-A14	83.1	151.1	50
ZPR40D□□□□□20-0□-A14	93.1	148.1	
ZPR40D□□□□□30-0□-A14	103.1	158.1	75
ZPR40D□□□□□50-0□-A14	123.1	203.1	

One-touch Fitting

Model	K	L	M
ZPR□□□□□□□□□□06-A14	6	12.8	24.3
ZPR□□□□□□□□□□08-A14	8	15.2	26.2

ZP3

ZP3E

ZP2

ZP2V

ZP

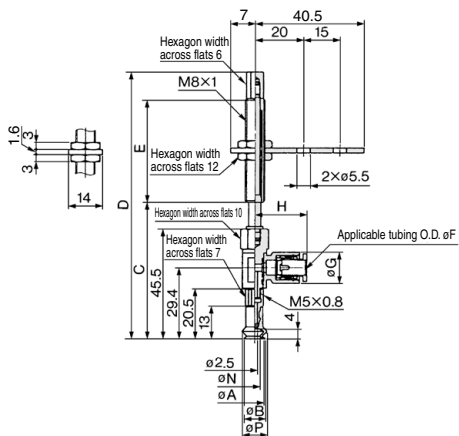
ZPT
ZPR

XT661

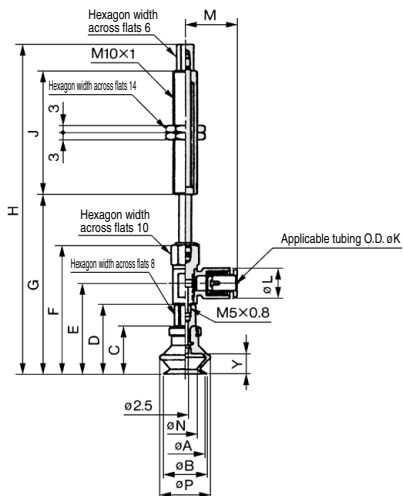
ZPR Series

Connection	One-touch fitting	Pad Form	Bellows
Vacuum Entry Port	Lateral	Mounting	Male thread

Bellows/ $\phi 6$, $\phi 8$



Bellows/ $\phi 10$, $\phi 13$, $\phi 16$



$\phi 6$, $\phi 8$

Bellows

Model	A	B	N	P
ZPR06B□□□□□-0□-A8	6	7	3.4	9
ZPR08B□□□□□-0□-A8	8	9	4.8	10

Dimensions by Stroke

Model	C	D	E	F: 4		F: 6	
				G	H	G	H
ZPR□□B□□□□ 6-0□-A8	53.5	79.5	15	10.4	20.6	12.8	21.6
ZPR□□B□□□□10-0□-A8	56.5	110.5	43				
ZPR□□B□□□□15-0□-A8	61.5	115.5					
ZPR□□B□□□□25-0□-A8	71.5	125.5					

$\phi 10$, $\phi 13$, $\phi 16$

Bellows

Model	A	B	C	D	E	F	N	P	Y
ZPR10B□□□□□-0□-A10	10	12	16	25	33.9	50	5.5	13.5	5.5
ZPR13B□□□□□-0□-A10	13	15	18.5	27.5	36.4	52.5	8.7	19	7.5
ZPR16B□□□□□-0□-A10	16	18	20	29	37.9	54	10	21	8.5

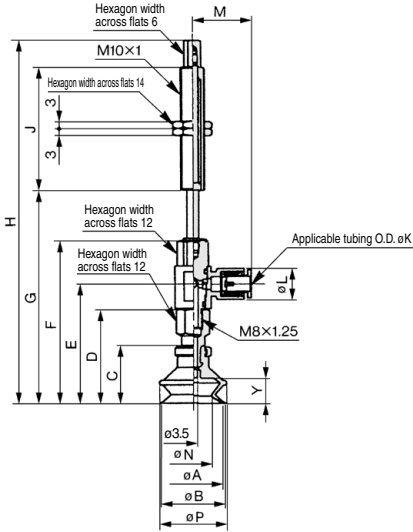
Dimensions by Stroke

Model	$\phi 10$		$\phi 13$		$\phi 16$		J	K: 4		K: 6	
	G	H	G	H	G	H		L	M	L	M
ZPR□□B□□□□10-0□-A10	61	95	63.5	97.5	65	99	23	10.4	20.6	12.8	21.6
ZPR□□B□□□□20-0□-A10	71	133	73.5	135.5	75	137	51				
ZPR□□B□□□□30-0□-A10	81	143	83.5	145.5	85	147					
ZPR□□B□□□□40-0□-A10	91	179	93.5	181.5	95	183					
ZPR□□B□□□□50-0□-A10	101	189	103.5	191.5	105	193	77				

Vacuum Pad/
Lateral Vacuum Entry with One-touch Fitting with Buffer **ZPR Series**

Connection	One-touch fitting	Pad Form	Bellows
Vacuum Entry Port	Lateral	Mounting	Male thread

Bellows/ø20, ø25, ø32



ø20, ø25, ø32

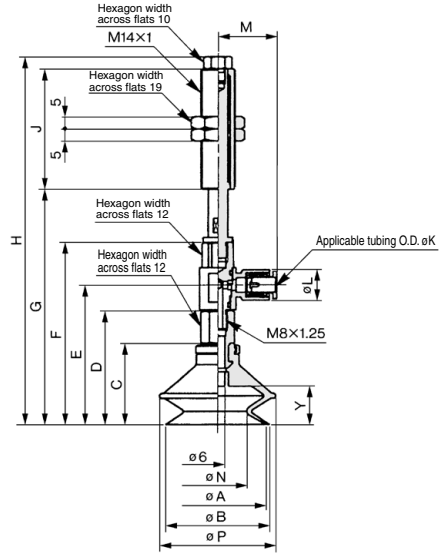
Bellows

Model	A	B	C	D	E	F	N	P	Y
ZPR20B□□□□□10-0□-A10	20	22	23.5	38.5	49.3	67.1	12.6	25	10.5
ZPR25B□□□□□0□-0□-A10	25	27	24	39	49.8	67.6	16	28	
ZPR32B□□□□□0□-0□-A10	32	34	29	44	54.8	72.6	18.9	37	14

Dimensions by Stroke

Model	ø20		ø25		ø32		J	K: 4		K: 6		K: 8	
	G	H	G	H	G	H		L	M	L	M	L	M
ZPR□□B□□□□10-0□-A10	78.1	112.1	78.6	112.6	83.6	117.6	23						
ZPR□□B□□□□20-0□-A10	88.1	150.1	88.6	150.6	93.6	155.6	51						
ZPR□□B□□□□30-0□-A10	98.1	180.1	98.6	180.6	103.6	185.6	77	10.4	23.3	12.8	24.3	15.2	26.2
ZPR□□B□□□□40-0□-A10	108.1	196.1	108.6	196.6	113.6	201.6	77						
ZPR□□B□□□□50-0□-A10	118.1	206.1	118.6	206.6	123.6	211.6							

Bellows/ø40, ø50



ø40, ø50

Bellows

Model	A	B	C	D	E	F	N	P	Y
ZPR40B□□□□□0□-0□-A14	40	43	34	47.5	58.3	76.1	24.4	47	16
ZPR50B□□□□□0□-0□-A14	50	53	38	51.5	62.3	80.1	33.4	57	19

Dimensions by Stroke

Model	ø40		ø50		J	K: 6		K: 8	
	G	H	G	H		L	M	L	M
ZPR□□B□□□□10-0□-A14	88.1	156.1	92.1	160.1	50				
ZPR□□B□□□□20-0□-A14	98.1	153.1	102.1	157.1	50	12.8	24.3	15.2	26.2
ZPR□□B□□□□30-0□-A14	108.1	163.1	112.1	167.1	75				
ZPR□□B□□□□50-0□-A14	128.1	208.1	132.1	212.1	75				

ZP3

ZP3E

ZP2

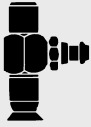
ZP2V

ZP

ZPT

ZPR

XT661



Vacuum Pad/ Lateral Vacuum Entry with Barb Fitting Without Buffer

ZPY Series

Specifications



Vacuum entry	Direction		Lateral	
	Connection		Barb fitting	
Applicable tube dia.	Elliptic (2 x 4, 3.5 x 7, 4 x 10) Thin section series (ø10 to ø16) ø2 to ø8		ø4, ø6 Nylon tube, ø4, ø6 Urethane tube	
	ø10 to ø16		ø4, ø6 Nylon tube, ø4, ø6 Urethane tube	
	ø20 to ø32		ø4, ø6 Nylon tube, ø4, ø6 Urethane tube	
	ø40 to ø50		ø6 Nylon tube, ø6 Urethane tube	
Mounting	Connection		Male thread	Female thread
	Thread dia.	Elliptic (2 x 4, 3.5 x 7, 4 x 10) Thin section series (ø10 to ø16) ø2 to ø8	M5 x 0.8, M6 x 1	M4 x 0.7, M5 x 0.8
		ø10 to ø16	M5 x 0.8, M6 x 1	M5 x 0.8, M6 x 1
		ø20 to ø32	M6 x 1, M8 x 1	M5 x 0.8, M6 x 1, M8 x 1.25
		ø40 to ø50	M6 x 1, M8 x 1	M6 x 1, M8 x 1.25

Pad Type

Pad form	Flat	Flat with ribs	Deep	Bellows	Thin flat/Thin flat with ribs
Pad dia. (mm)	2, 4, 6, 8, 2 x 4, 3.5 x 7, 4 x 10, 10, 13, 16, 20, 25, 32, 40, 50	10, 13, 16, 20, 25, 32, 40, 50	10, 16, 25, 40	6, 8, 10, 13, 16, 20, 25, 32, 40, 50	10, 13, 16
Material (Color)	NBR (Black), Silicone rubber (White), Urethane rubber (Brown), FKM (Black with green mark) Conductive NBR (Black with one silver mark), Conductive silicone rubber (Black with two silver marks)				
Durometer	NBR (A50/S), Silicone rubber (A40/S), Urethane rubber/FKM (A60/S) Conductive NBR (A50/S), Conductive silicone rubber (A50/S)				

Weight/Male Thread (Female thread)

Model	Flat		Flat with ribs			Deep			Bellows			
	M5	M6	M8	M5	M6	M8	M5	M6	M8	M5	M6	M8
ZPY02 to 08 2004 3507 4010 10 to 16 (Thin section series)	15 (11)	15	—	—	—	—	—	—	—	15 (11) Except ø2, ø4	15 (11) Except ø2, ø4	—
ZPY10	—	—	—	—	—	—	31 (27)	33 (26)	—	—	—	—
ZPY13	32 (25)	33 (25)	—	32 (25)	33 (25)	—	—	—	—	—	33 (25)	33 (—)
ZPY16	—	—	—	—	—	—	32 (27)	38 (27)	—	—	—	—
ZPY20	—	—	—	—	—	—	—	—	—	—	—	—
ZPY25	— (30)	38 (30)	38 (29)	— (30)	38 (30)	38 (29)	— (30)	38 (30)	38 (28)	— (30)	38 (30)	38 (29)
ZPY32	—	—	—	—	—	—	—	—	—	—	—	—
ZPY40	—	43 (36)	47 (34)	—	42 (35)	46 (33)	—	44 (37)	48 (35)	—	43 (36)	47 (34)
ZPY50	—	44 (38)	49 (35)	—	46 (38)	50 (37)	—	—	—	—	44 (38)	49 (35)

* () : Figures for female thread connections.

How to Order

ZPY Series
Without buffer

ZPY **02** **U** **N** - **N4** - **A5**

Part dia. Pad type Material Vacuum entry port Mounting thread

Pad diameter

2004	2 x 4
3507	3.5 x 7
4010	4 x 10
02	ø2
04	ø4
06	ø6
08	ø8
10	ø10
13	ø13
16	ø16
20	ø20
25	ø25
32	ø32
40	ø40
50	ø50

Mounting thread
(Refer to "Table (2)" for applications.)

Vacuum entry port
(Refer to "Table (2)" for applications.)

Table (2) Vacuum Entry/Mounting Thread Diameter

Connection	Symbol	Thread dia./Port size	ø2 to ø8	ø10 to ø16	ø20 to ø32	ø40 to ø50	
			2 x 4 3.5 x 7 4 x 10 ø10 to ø16 (thin section series)				
Vacuum entry Barb fitting	N4	ø4 Nylon tube	●	●	●	—	
	N6	ø6 Nylon tube	●	●	●	●	
	U4	ø4 Urethane tube	●	●	●	—	
	U6	ø6 Urethane tube	●	●	●	●	
Mounting Female thread	Male thread	A5	M5 x 0.8	●	●	—	
		A6	M6 x 1	●	●	●	
		A8	M8 x 1	—	—	●	●
		B4	M4 x 0.7	●	—	—	—
	Female thread	B5	M5 x 0.8	●	●	●	—
		B6	M6 x 1	—	●	●	●
		B8	M8 x 1.25	—	—	●	●

Pad type
(Refer to "Table (1)" for applications.)

U	Flat
C	Flat with ribs
D	Deep
B	Bellows
UT	Thin flat
CT	Thin flat with ribs

Material

N	NBR
S	Silicone rubber
U	Urethane rubber
F	FKM
GN	Conductive NBR
GS	Conductive silicone rubber

Table (1) Pad Diameter/Pad Type

Type \ Dia.	2 x 4	3.5 x 7	4 x 10	ø2	ø4	ø6	ø8	ø10	ø13	ø16	ø20	ø25	ø32	ø40	ø50
Flat	●	●	●	—	—	—	—	—	—	—	—	—	—	—	—
Flat with ribs	—	—	—	—	—	—	—	—	—	—	—	—	—	—	—
Deep	—	—	—	—	—	—	—	—	—	—	—	—	—	—	—
Bellows	—	—	—	—	—	●	●	●	●	●	●	●	●	●	●
Thin flat	—	—	—	—	—	—	—	—	—	—	—	—	—	—	—
Thin flat with ribs	—	—	—	—	—	—	—	—	—	—	—	—	—	—	—

ZP3

ZP3E

ZP2

ZP2V

ZP

ZPT
ZPR

XT661

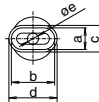
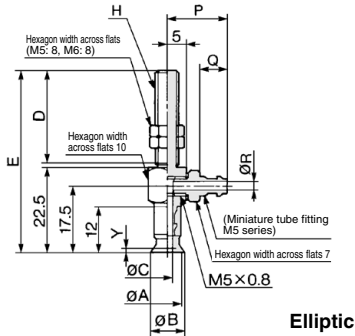
ZPY Series

Connection	Barb Fitting	Pad Form	Flat/Flat with ribs/Deep/ Thin flat/Thin flat with ribs/Elliptic
Vacuum Entry Port	Lateral	Mounting	Male thread

Size/Flat $\phi 2, \phi 4, \phi 6, \phi 8$ /Thin flat/Thin flat with ribs $\phi 10, \phi 13, \phi 16$ /
Elliptic 2004, 3507, 4010

Size/ $\phi 10, \phi 13, \phi 16$

Flat/Thin flat/Thin flat with ribs



Flat

Model	A	B	C	H: M5 x 0.8		H: M6 x 1		Y
				D	E	D	E	
ZPY02U	2	2.6	1.2	20	44	25	49.5	0.5
ZPY04U	4	4.8	1.6					0.8
ZPY06U	6	7	2.5					1
ZPY08U	8	9						

Elliptic

Model	a	b	c	d	e	Y
ZPY2004U	2	4	2.6	4.6	1.2	0.3
ZPY3507U	3.5	7	4.3	7.8	1.8	0.5
ZPY4010U	4	10	5	11	2	0.8

Thin Flat/Thin Flat with Ribs

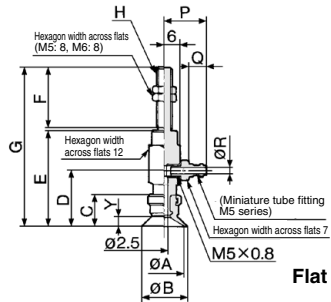
Model	A	B	C	Y
ZPY10UT	10	11	2.5	1
ZPY13UT	13	14		1.5
ZPY16UT	16	17		0.8
ZPY10CT	10	11		1
ZPY13CT	13	14		
ZPY16CT	16	17		

* Dimensions of D, E are the same.

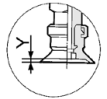
Applicable Tubing

Applicable tubing O.D.	P	Q	R
N4 (Nylon tube $\phi 4/2.5$)	13.5	5	1.8
N6 (Nylon tube $\phi 6/4$)	15.5	7	2.5
U4 (Soft tube $\phi 4/2.5$)	13.5	5	1.8
U6 (Soft tube $\phi 6/4$)	15.5	7	2.5

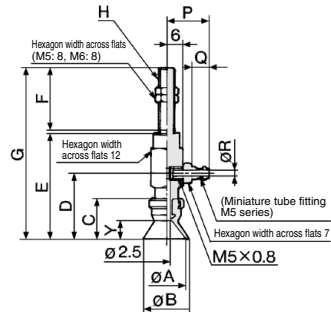
Flat



Flat with ribs



Deep: ZPY10D, 16D only



Flat/Flat with Ribs

Model	A	B	C	D	E	H: M5 x 0.8		H: M6 x 1		Y
						F	G	F	G	
ZPY10U	10	12	12	22	38	20	59	25	64	3
ZPY13U	13	15	15	25	42	20	59.5	25	67	3.5
ZPY16U	16	18	18	28	42	20	63	25	68	3.5

Deep

Model	A	B	C	D	E	H: M5 x 0.8		H: M6 x 1		Y
						F	G	F	G	
ZPY10D	10	12	15	25	41	20	62	25	67	6
ZPY16D	16	18	16	26	42	20	63	25	68	7

Applicable Tubing

Applicable tubing O.D.	P	Q	R
N4 (Nylon tube $\phi 4/2.5$)	14.5	5	1.8
N6 (Nylon tube $\phi 6/4$)	16.5	7	2.5
U4 (Soft tube $\phi 4/2.5$)	14.5	5	1.8
U6 (Soft tube $\phi 6/4$)	16.5	7	2.5

Vacuum Pad/ Lateral Vacuum Entry with Barb Fitting without Buffer **ZPY Series**

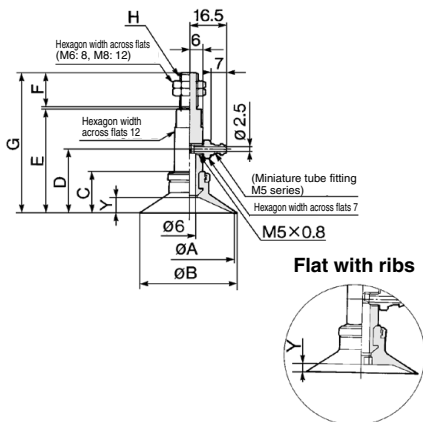
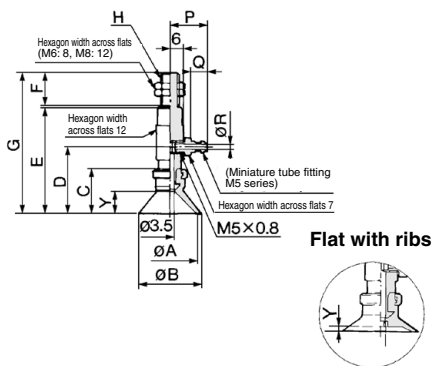
Connection	Barb Fitting	Pad Form	Flat/Flat with ribs/Deep/ Thin flat/Thin flat with ribs/Elliptic
Vacuum Entry Port	Lateral	Mounting	Male thread

Size/ø20, ø25, ø32

Size/ø40, ø50

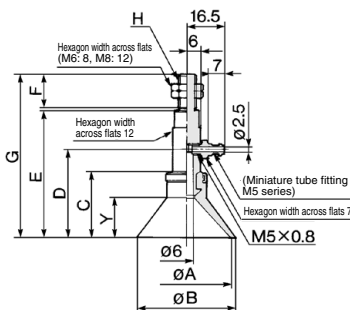
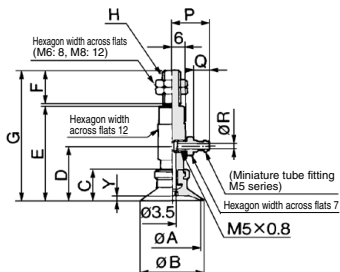
Flat

Flat



Deep: ZPY25D only

Deep: ZPY40D only



Flat/Flat with Ribs

Model	A	B	C	D	E	H: M6 x 1		H: M8 x 1		Y	
						F	G	F	G	Flat	Flat with ribs
ZPY20	20	23	14	24	42	25	68	15	58	4	1.7
ZPY25	25	28									1.8
ZPY32	32	35	14.5	24.5	42.5		68.5		58.5	4.5	2.3

Flat/Flat with Ribs

Model	A	B	C	D	E	H: M6 x 1		H: M8 x 1		Y	
						F	G	F	G	Flat	Flat with ribs
ZPY40	40	43	18.5	28.5	46.5	25	72.5	15	62.5	6.5	3.3
ZPY50	50	53	19.5	29.5	47.5		73.5		63.5	7.5	3.8

Deep

Model	A	B	C	D	E	H: M6 x 1		H: M8 x 1		Y
						F	G	F	G	
ZPY25D	25	28	20	30	48	25	74	15	64	10

Deep

Model	A	B	C	D	E	H: M6 x 1		H: M8 x 1		Y
						F	G	F	G	
ZPY40D	40	43	29	39	57	25	83	15	73	17

Applicable Tubing

Applicable tubing O.D.	P	Q	R
N4 (Nylon tube ø4/2.5)	14.5	5	1.8
N6 (Nylon tube ø6/4)	16.5	7	2.5
U4 (Soft tube ø4/2.5)	14.5	5	1.8
U6 (Soft tube ø6/4)	16.5	7	2.5

ZP3

ZP3E

ZP2

ZP2V

ZP

ZPT

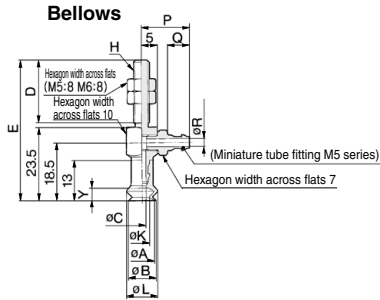
ZPR

XT661

ZPY Series

Connection	Barb Fitting	Pad Form	Bellows
Vacuum Entry Port	Lateral	Mounting	Male thread

Size/ø6, ø8

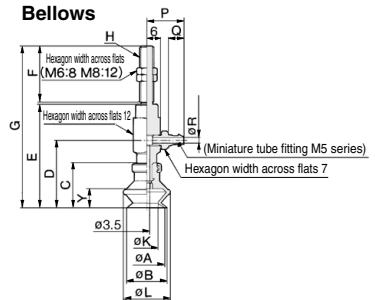


Model	A	B	C	H: M5 x 0.8		H: M6 x 1		K	L	Y
				D	E	D	E			
ZPY06B	6	7	2.5	20	45	25	50.5	3.4	9	4
ZPY08B	8	9						4.8	10	

Applicable Tubing

Applicable tubing O.D.	P	Q	R
N4 (Nylon tube ø4/2.5)	13.5	5	1.8
N6 (Nylon tube ø6/4)	15.5	7	2.5
U4 (Urethane tube ø4/2.5)	13.5	5	1.8
U6 (Urethane tube ø6/4)	15.5	7	2.5

Size/ø20, ø25, ø32

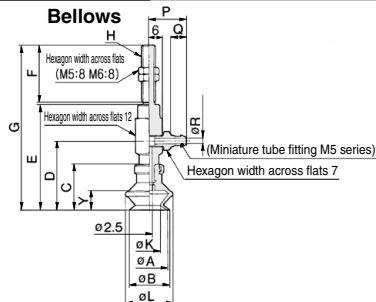


Model	A	B	C	D	E	H: M6 x 1		H: M8 x 1		K	L	Y
						F	G	F	G			
ZPY20B	20	22	23.5	33.5	51.5	14.5	77.5	67.5	12.6	25	10.5	
ZPY25B	25	27	24	34	52	25	78	68	16	28		
ZPY32B	32	34	29	39	57		83	73	18.9	37	14	

Applicable Tubing

Applicable tubing O.D.	P	Q	R
N4 (Nylon tube ø4/2.5)	14.5	5	1.8
N6 (Nylon tube ø6/4)	16.5	7	2.5
U4 (Urethane tube ø4/2.5)	14.5	5	1.8
U6 (Urethane tube ø6/4)	16.5	7	2.5

Size/ø10, ø13, ø16

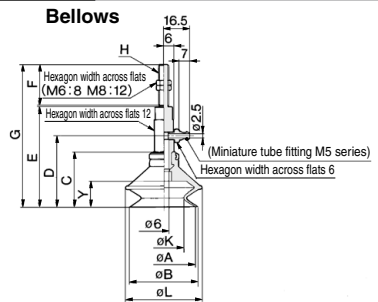


Model	A	B	C	D	E	H: M5 x 0.8		H: M6 x 1		K	L	Y
						F	G	F	G			
ZPY10B	10	12	16	26	42	20	63	68	5.5	13.5	5.5	
ZPY13B	13	15	18.5	28.5	44.5		65.5	70.5	8.7	19	7.5	
ZPY16B	16	18	20	30	46		67	72	10	21	8.5	

Applicable Tubing

Applicable tubing O.D.	P	Q	R
N4 (Nylon tube ø4/2.5)	14.5	5	1.8
N6 (Nylon tube ø6/4)	16.5	7	2.5
U4 (Urethane tube ø4/2.5)	14.5	5	1.8
U6 (Urethane tube ø6/4)	16.5	7	2.5

Size/ø40, ø50



Model	A	B	C	D	E	H: M6 x 1		H: M8 x 1		K	L	Y
						F	G	F	G			
ZPY40B	40	43	34	44	62	25	88	78	24.4	47	16	
ZPY50B	50	53	38	48	66		92	82	33.4	57	19	

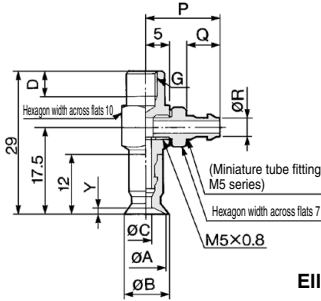
Vacuum Pad/ Lateral Vacuum Entry with Barb Fitting without Buffer **ZPY Series**

Connection	Barb fitting	Pad Form	Flat/Flat with ribs/Deep/Thin flat/ Thin flat with ribs/Elliptic
Vacuum Entry Port	Lateral	Mounting	Female thread

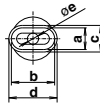
Size/Flat $\varnothing 2, \varnothing 4, \varnothing 6, \varnothing 8$ /Thin flat/Thin flat with ribs $\varnothing 10, \varnothing 13, \varnothing 16$ /
Elliptic 2004, 3507, 4010

Size/ $\varnothing 10, \varnothing 13, \varnothing 16$

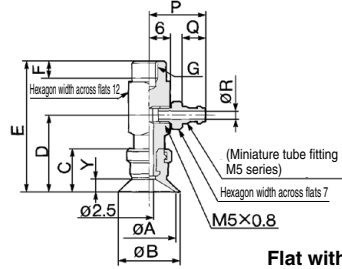
Flat/Thin flat/Thin flat with ribs



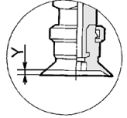
Elliptic



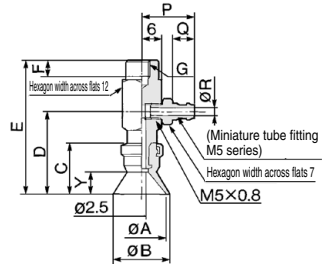
Flat



Flat with ribs



Deep: ZPY10D, 16D only



Flat/Flat with Ribs

Model	A	B	C	G: M4 x 0.7		Y
				D	D	
ZPY02U	2	2.6	1.2	4	5	0.5
ZPY04U	4	4.8	1.6			0.8
ZPY06U	6	7	2.5			1
ZPY08U	8	9				

Elliptic

Model	a	b	c	d	e	Y
ZPY2004U	2	4	2.6	4.6	1.2	0.3
ZPY3507U	3.5	7	4.3	7.8	1.8	0.5
ZPY4010U	4	10	5	11	2	0.8

Thin Flat /Thin Flat with Ribs

Model	A	B	C	Y
ZPY10UT	10	11	2.5	1
ZPY13UT	13	14		1.5
ZPY16UT	16	17		0.8
ZPY10CT	10	11		1
ZPY13CT	13	14		
ZPY16CT	16	17		

* Dimensions of D are the same.

Applicable Tubing

Applicable tubing O.D.	P	Q	R
N4 (Nylon tube $\varnothing 4/2.5$)	13.5	5	1.8
N6 (Nylon tube $\varnothing 6/4$)	15.5	7	2.5
U4 (Soft tube $\varnothing 4/2.5$)	13.5	5	1.8
U6 (Soft tube $\varnothing 6/4$)	15.5	7	2.5

Flat/Flat with Ribs

Model	A	B	C	D	E	G: M5 x 0.8		Y	
						F	F	Flat	Flat with ribs
ZPY10	10	12	12	22	38	5	6	3	1.7
ZPY13	13	15	15	22	38	5	6	3	1.8
ZPY16	16	18	12.5	22.5	38.5	5	6	3.5	1.2

Deep

Model	A	B	C	D	E	G: M5 x 0.8		Y
						F	F	
ZPY10D	10	12	15	25	41	5	6	6
ZPY16D	16	18	16	26	42	5	6	7

Applicable Tubing

Applicable tubing O.D.	P	Q	R
N4 (Nylon tube $\varnothing 4/2.5$)	14.5	5	1.8
N6 (Nylon tube $\varnothing 6/4$)	16.5	7	2.5
U4 (Soft tube $\varnothing 4/2.5$)	14.5	5	1.8
U6 (Soft tube $\varnothing 6/4$)	16.5	7	2.5

ZP3

ZP3E

ZP2

ZP2V

ZP

ZPT

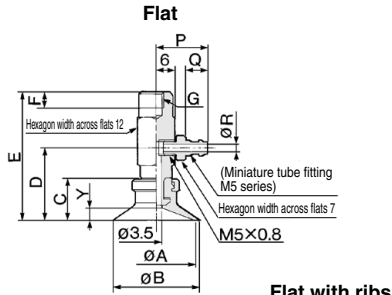
ZPR

XT661

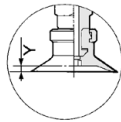
ZPY Series

Connection	Barb fitting	Pad Form	Flat/Flat with ribs/Deep/Thin flat/Thin flat with ribs/Elliptic
Vacuum Entry Port	Lateral	Mounting	Female thread

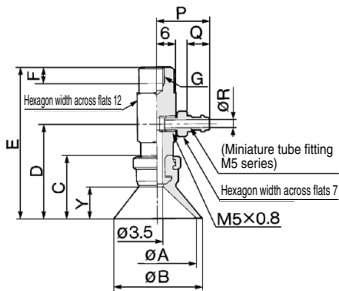
Size/ø20, ø25, ø32



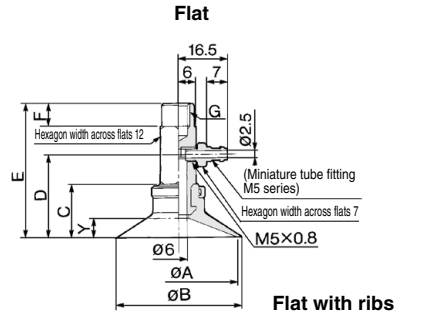
Flat with ribs



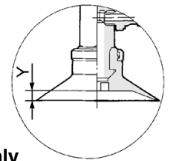
Deep: ZPY25D only



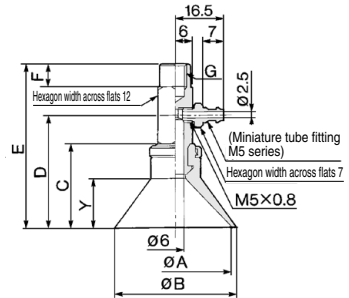
Size/ø40, ø50



Flat with ribs



Deep: ZPY40D only



Flat/Flat with ribs

Model	A	B	C	D	E	G			Y	
						M5 x 0.8	M6 x 1	M8 x 1.25		
ZPY20	20	23	14	24	42	5	6	8	4	1.7
ZPY25	25	28	14	24	42	5	6	8	4	1.8
ZPY32	32	35	14.5	24.5	42.5				4.5	2.3

Flat/Flat with ribs

Model	A	B	C	D	E	G			Y	
						M6 x 1	M8 x 1.25			
ZPY40	40	43	18.5	28.5	46.5	6	8		6.5	3.3
ZPY50	50	53	19.5	29.5	47.5	6	8		7.5	3.8

Deep

Model	A	B	C	D	E	G			Y
						M5 x 0.8	M6 x 1	M8 x 1.25	
ZPY25D	25	28	20	30	48	5	6	8	10

Deep

Model	A	B	C	D	E	G			Y
						M6 x 1	M8 x 1.25		
ZPY40D	40	43	29	39	57	6	8		17

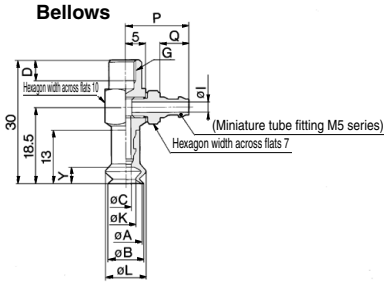
Applicable Tubing

Applicable tubing O.D.	P	Q	R
N4 (Nylontube ø4/2.5)	14.5	5	1.8
N6 (Nylon tube ø6/4)	16.5	7	2.5
U4 (Soft tube ø4/2.5)	14.5	5	1.8
U6 (Soft tube ø6/4)	16.5	7	2.5

Vacuum Pad/
Lateral Vacuum Entry with Barb Fitting without Buffer **ZPY Series**

Connection	Barb fitting	Pad Form	Bellows
Vacuum Entry Port	Lateral	Mounting	Female thread

Size/ø6, ø8

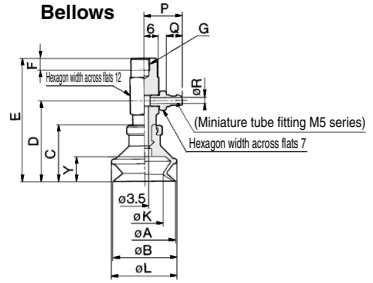


Model	A	B	C	G: M4 x 0.7		G: M5 x 0.8		K	L	Y
				D	D					
ZPY06B	6	7	2.5	4	5	3.4	9	4		
ZPY08B	8	9				4.8	10			

Applicable Tubing

Applicable tubing O.D.	P	Q	R
N4 (Nylon tube ø4/2.5)	13.5	5	1.8
N6 (Nylon tube ø6/4)	15.5	7	2.5
U4 (Urethane tube ø4/2.5)	13.5	5	1.8
U6 (Urethane tube ø6/4)	15.5	7	2.5

Size/ø20, ø25, ø32

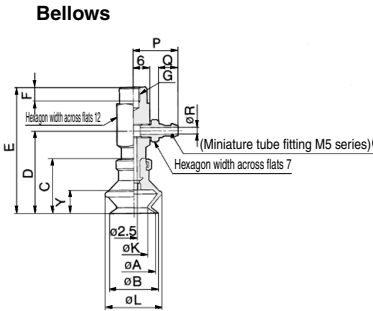


Model	A	B	C	D	E	G: M5 x 0.8			K	L	Y
						F	F	F			
ZPY20B	20	22	23.5	33.5	51.5	5	6	8	12.6	25	10.5
ZPY25B	25	27	24	34	52				16	28	10.5
ZPY32B	32	34	29	39	57				18.9	37	14

Applicable Tubing

Applicable tubing O.D.	P	Q	R
N4 (Nylon tube ø4/2.5)	14.5	5	1.8
N6 (Nylon tube ø6/4)	16.5	7	2.5
U4 (Urethane tube ø4/2.5)	14.5	5	1.8
U6 (Urethane tube ø6/4)	16.5	7	2.5

Size/ø10, ø13, ø16

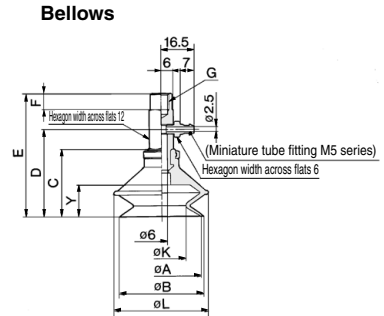


Model	A	B	C	D	E	G: M5 x 0.8		G: M6 x 1		K	L	Y
						F	F					
ZPY10B	10	12	16	26	42	5	6	5.5	13.5	5.5		
ZPY13B	13	15	18.5	28.5	44.5			8.7	19	7.5		
ZPY16B	16	18	20	30	46			10	21	8.5		

Applicable Tubing

Applicable tubing O.D.	P	Q	R
N4 (Nylon tube ø4/2.5)	14.5	5	1.8
N6 (Nylon tube ø6/4)	16.5	7	2.5
U4 (Urethane tube ø4/2.5)	14.5	5	1.8
U6 (Urethane tube ø6/4)	16.5	7	2.5

Size/ø40, ø50



Model	A	B	C	D	E	G: M6 x 1		G: M8 x 1.25		K	L	Y
						F	F					
ZPY40B	40	43	34	44	62	6	8	24.4	47	16		
ZPY50B	50	53	38	48	66			33.4	57	19		

ZP3

ZP3E

ZP2

ZP2V

ZP

ZPT

ZPR

XT661



Vacuum Pad/ Lateral Vacuum Entry with Barb Fitting With Buffer

ZPY Series



Specifications

Vacuum entry	Applicable tubing dia.	Direction	Lateral
		Connection	Barb fitting
		Elliptic (2 x 4, 3.5 x 7, 4 x 10) ø10 to ø16 (Thin section series) ø2 to ø8	ø4, ø6 Nylon tube, ø4, ø6 Urethane tube
		ø10 to ø16	ø4, ø6 Nylon tube, ø4, ø6 Urethane tube
		ø20 to ø32	ø4, ø6 Nylon tube, ø4, ø6 Urethane tube
		ø40 to ø50	ø6 Nylon tube, ø6 Urethane tube
Mounting	Thread dia.	Elliptic (2 x 4, 3.5 x 7, 4 x 10) ø10 to ø16 (Thin section series) ø2 to ø8	M8 x 1 Male thread
		ø10 to ø16	M10 x 1 Male thread
		ø20 to ø32	M10 x 1 Male thread
		ø40 to ø50	M14 x 1 Male thread

Buffer Specifications

Pad dia. (mm)	ø2 to ø8*	ø10 to ø32	ø40, ø50
Stroke (mm)	6, 10, 15, 25	10, 20, 30, 40, 50	10, 20, 30, 50
Spring Reactive Force (N)	0 stroke	0.8	2.0
	Full stroke	1.2	3.0
Non-rotating specification		Rotating (J)/Non-rotating (K)	

* Refer to ø2 to ø8 for Thin flat, Thin flat with ribs and Elliptic.

Pad Type

Pad form	Flat	Flat with ribs	Deep	Bellows	Thin flat/Thin flat with ribs
Pad dia. (mm)	2, 4, 6, 8, 2 x 4, 3.5 x 7, 4 x 10, 10, 13, 16, 20, 25, 32, 40, 50	10, 13, 16, 20, 25, 32, 40, 50	10, 16, 25, 40	6, 8, 10, 13, 16, 20, 25, 32, 40, 50	10, 13, 16
Material (Color)	NBR (Black), Silicone rubber (White), Urethane rubber (Brown), FKM (Black with green mark) Conductive NBR (Black with one silver mark), Conductive silicone rubber (Black with two silver marks)				
Durometer	NBR (A50/S), Silicone rubber (A40/S), Urethane rubber/FKM (A60/S) Conductive NBR (A50/S), Conductive silicone rubber (A50/S)				

Weight

(g)

Stroke (mm)	Pad form		Flat/ Flat with ribs	Deep	Bellows			
	Model	Model						
6	ZPY2004 ZPY3507 ZPY4010 ZPY02 to 08 ZPY10 to 16 (Thin section series)		33	—	33			
		10 to 16				45	45	46
		20				50	51	53
		25				52	—	58
		32				52	—	58
10	ZPY 40 ZPY 50	115	117	127				
		132	—	134				

Weight by Stroke

(g)

Stroke (mm)	Model						
	10	15	20	25	30	40	50
ZPY02 to 08	+7	+8	—	+9	—	—	—
ZPY10 to 32	—	+12	—	+14	+26	+28	—
ZPY40, 50	—	—	-5.5	—	-1.5	—	+30

How to Order

ZPY Series
With buffer

ZPY 16 U GS K 20 - U6 - A10

Pad diameter

2004	2 x 4
3507	3.5 x 7
4010	4 x 10
02	ø2
04	ø4
06	ø6
08	ø8
10	ø10
13	ø13
16	ø16
20	ø20
25	ø25
32	ø32
40	ø40
50	ø50

Pad type
(Refer to "Table (1)" for applications.)

U	Flat
C	Flat with ribs
D	Deep
B	Bellows
UT	Thin flat
CT	Thin flat with ribs

Mounting thread/Male thread
(Refer to "Table (3)" for applications.)

Vacuum entry port
(Refer to "Table (3)" for applications.)

Buffer stroke
(Refer to "Table (2)" for applications.)

Buffer type

J	Rotating
K	Non-rotating

Material

N	NBR
S	Silicone rubber
U	Urethane rubber
F	FKM
GN	Conductive NBR
GS	Conductive silicone rubber

Table (1) Pad Diameter/Pad Type

Type \ Dia.	2 x 4	3.5 x 7	4 x 10	ø2	ø4	ø6	ø8	ø10	ø13	ø16	ø20	ø25	ø32	ø40	ø50
Flat	●	●	●	●	●	●	●	●	●	●	●	●	●	●	●
Flat with ribs	—	—	—	—	—	—	—	●	●	●	●	●	●	●	●
Deep	—	—	—	—	—	—	—	—	—	—	—	—	—	—	—
Bellows	—	—	—	—	—	●	●	●	●	●	●	●	●	●	●
Thin flat	—	—	—	—	—	—	—	—	—	—	—	—	—	—	—
Thin flat with ribs	—	—	—	—	—	—	—	●	●	●	—	—	—	—	—

Table (2) Pad Diameter/Stroke

Stroke \ Dia.	2 x 4	3.5 x 7	4 x 10	ø2	ø4	ø6	ø8	Thin flat/Thin flat with ribs ø10 ø13 ø16			ø10	ø13	ø16	ø20	ø25	ø32	ø40	ø50
6 mm	●	●	●	●	●	●	●	—	—	—	—	—	—	—	—	—	—	—
10 mm	●	●	●	●	●	●	●	—	—	—	—	—	—	—	—	—	—	—
15 mm	●	●	●	●	●	●	●	—	—	—	—	—	—	—	—	—	—	—
20 mm	—	—	—	—	—	—	—	—	—	—	●	●	●	●	●	●	●	●
25 mm	●	●	●	●	●	●	●	●	●	●	—	—	—	—	—	—	—	—
30 mm	—	—	—	—	—	—	—	—	—	—	●	●	●	●	●	●	●	●
40 mm	—	—	—	—	—	—	—	—	—	—	●	●	●	●	●	●	●	●
50 mm	—	—	—	—	—	—	—	—	—	—	●	●	●	●	●	●	●	●

Table (3) Vacuum Entry/Mounting Thread Diameter

		Symbol	Thread dia./ Port size	ø2 to ø8 2 x 4, 3.5 x 7 4 x 10 ø10 to ø16 (Thin section series)	ø10 to ø32	ø40, ø50
Vacuum entry	Barb fitting	N4	ø4 Nylon tube	●	●	—
		N6	ø6 Nylon tube	●	●	●
		U4	ø4 Urethane tube	●	●	—
		U6	ø6 Urethane tube	●	●	●
Mounting	Male thread	A8	M8 x 1	●	—	—
		A10	M10 x 1	—	●	—
		A14	M14 x 1	—	—	●

Tightening Torque (N·m)

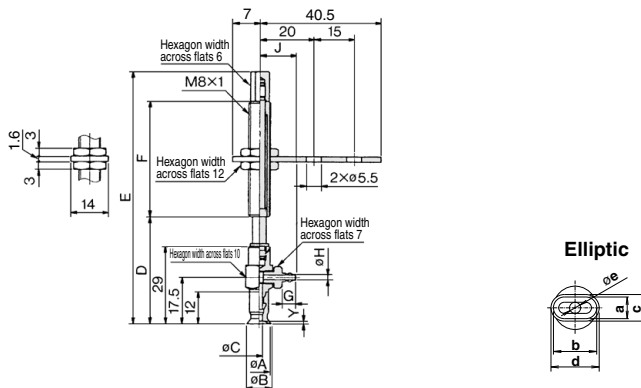
Mounting thread diameter	Torque
M8 x 1	1.5 to 2.0
M10 x 1	2.5 to 3.5
M14 x 1	6.5 to 7.5

- ZP3
- ZP3E
- ZP2
- ZP2V
- ZP
- ZPT
- ZPR
- XT661

ZPY Series

Connection	Barb fitting	Pad Form	Flat/Thin flat/Thin flat with ribs/Elliptic
Vacuum Entry Port	Lateral	Mounting	Male thread

Flat/ \varnothing 2, \varnothing 4, \varnothing 6, \varnothing 8, Thin flat/Thin flat with ribs/ \varnothing 10, \varnothing 13, \varnothing 16, Elliptic/2004, 3507, 4010



Flat

Model	A	B	C	Y
ZPY02U□□□□□□□□-A8	2	2.6	1.2	0.5
ZPY04U□□□□□□□□-A8	4	4.8	1.6	0.8
ZPY06U□□□□□□□□-A8	6	7	2.5	
ZPY08U□□□□□□□□-A8	8	9		1

Elliptic

Model	a	b	c	d	e	Y
ZPY2004U	2	4	2.6	4.6	1.2	0.3
ZPY3507U	3.5	7	4.3	7.8	1.8	0.5
ZPY4010U	4	10	5	11	2	0.8

Thin Flat/Thin Flat with Ribs

Model	A	B	C	Y
ZPY10UT	10	11	2.5	1
ZPY13UT	13	14		1.5
ZPY16UT	16	17		0.8
ZPY10CT	10	11	2.5	1
ZPY13CT	13	14		
ZPY16CT	16	17		

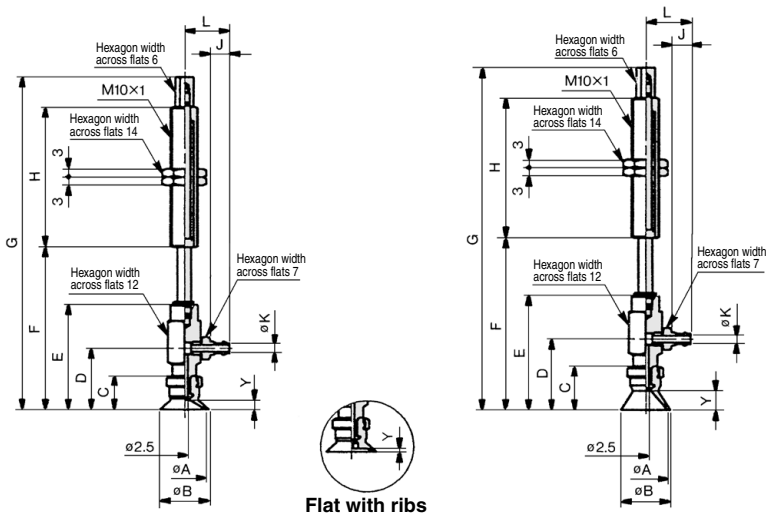
Dimensions by Stroke

Model	D	E	F	\varnothing 4 tube			\varnothing 6 tube		
				G	H	J	G	H	J
ZPY□□□□□□ 6-□□-A8	37	63	15						
ZPY□□□□□□ 10-□□-A8	40	94	43	5	1.8	13.5	7	2.5	15.5
ZPY□□□□□□ 15-□□-A8	45	99							
ZPY□□□□□□ 25-□□-A8	55	109							

Connection	Barb fitting	Pad Form	Flat/Flat with ribs/Deep
Vacuum Entry Port	Lateral	Mounting	Male thread

Flat/Flat with ribs/∅10, ∅13, ∅16

Deep/∅10, ∅16



∅10, ∅13, ∅16

Flat/Flat with Ribs

Model	A	B	C	D	E	Y	
						Flat	Flat with ribs
ZPY10 $\frac{1}{2}$ □□□□□□□□□□□□-A10	10	12					1.7
ZPY13 $\frac{1}{2}$ □□□□□□□□□□□□-A10	13	15	12	22	38	3	1.8
ZPY16 $\frac{1}{2}$ □□□□□□□□□□□□-A10	16	18	12.5	22.5	38.5	3.5	1.2

Dimensions by Stroke

Model	∅10, ∅13		∅16		H
	F	G	F	G	
ZPY□□□□□□□□□□□□□□□□□□-A10	49	83	49.5	83.5	23
ZPY□□□□□□□□□□□□□□□□□□-A10	59	121	59.5	121.5	51
ZPY□□□□□□□□□□□□□□□□□□-A10	69	131	69.5	131.5	
ZPY□□□□□□□□□□□□□□□□□□-A10	79	167	79.5	167.5	
ZPY□□□□□□□□□□□□□□□□□□-A10	89	177	89.5	177.5	77

∅10, ∅16

Deep

Model	A	B	C	D	E	Y
ZPY10D □□□□□□□□□□□□□□-A10	10	12	15	25	41	6
ZPY16D □□□□□□□□□□□□□□-A10	16	18	16	26	42	7

Dimensions by Stroke

Model	∅10		∅16		H
	F	G	F	G	
ZPY□□□□□□□□□□□□□□□□□□-A10	52	86	53	87	23
ZPY□□□□□□□□□□□□□□□□□□-A10	62	124	63	125	51
ZPY□□□□□□□□□□□□□□□□□□-A10	72	134	73	135	
ZPY□□□□□□□□□□□□□□□□□□-A10	82	170	83	171	
ZPY□□□□□□□□□□□□□□□□□□-A10	92	180	93	181	77

Dimensions by Tubing

Model	J	K	L
ZPY□□□□□□□□□□□□□□□□□□-A10	5	1.8	14.5
ZPY□□□□□□□□□□□□□□□□□□-A10	7	2.5	16.5

ZP3

ZP3E

ZP2

ZP2V

ZP

ZPT
ZPR

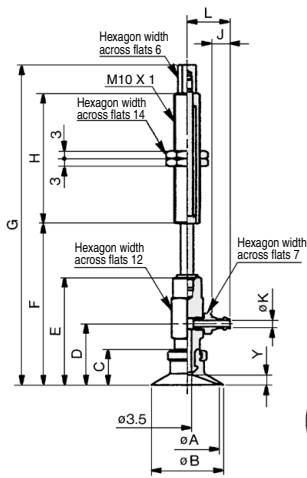
XT661

ZPY Series

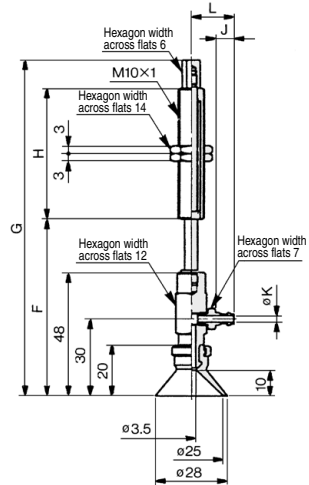
Connection	Barb fitting	Pad Form	Flat/Flat with ribs/Deep
Vacuum Entry Port	Lateral	Mounting	Male thread

Flat/Flat with ribs/ø20, ø25, ø32

Deep/ø25



Flat with ribs



ø20, ø25, ø32

Flat/Flat with Ribs

Model	A	B	C	D	E	Y	
						Flat	Flat with ribs
ZPY20 $\frac{1}{2}$ □ □ □ □ □ □ □ □ □ □ □ □ A10	20	23					1.7
ZPY25 $\frac{1}{2}$ □ □ □ □ □ □ □ □ □ □ □ □ A10	25	28	14	24	42	4	1.8
ZPY32 $\frac{1}{2}$ □ □ □ □ □ □ □ □ □ □ □ □ A10	32	35	14.5	24.5	42.5	4.5	2.3

Dimensions by Stroke

Model	ø20, ø25		ø32		H
	F	G	F	G	
ZPY□□ $\frac{1}{2}$ □ □ □ □ □ □ □ □ □ □ □ □ A10	53	87	53.5	87.5	23
ZPY□□ $\frac{1}{2}$ □ □ □ □ □ □ □ □ □ □ □ □ A10	63	125	63.5	125.5	51
ZPY□□ $\frac{1}{2}$ □ □ □ □ □ □ □ □ □ □ □ □ A10	73	135	73.5	135.5	
ZPY□□ $\frac{1}{2}$ □ □ □ □ □ □ □ □ □ □ □ □ A10	83	171	83.5	171.5	
ZPY□□ $\frac{1}{2}$ □ □ □ □ □ □ □ □ □ □ □ □ A10	93	181	93.5	181.5	77

ø25

Deep

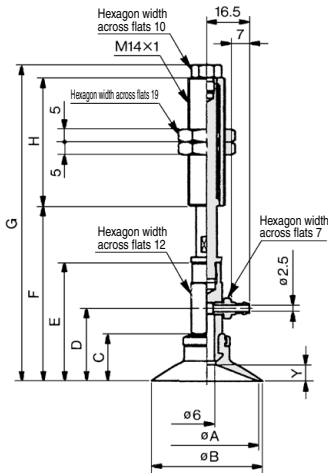
Model	F	G	H
ZPY25D □ □ □ □ □ □ □ □ □ □ □ □ A10	59	93	23
ZPY25D □ □ □ □ □ □ □ □ □ □ □ □ A10	69	131	
ZPY25D □ □ □ □ □ □ □ □ □ □ □ □ A10	79	141	51
ZPY25D □ □ □ □ □ □ □ □ □ □ □ □ A10	89	177	
ZPY25D □ □ □ □ □ □ □ □ □ □ □ □ A10	99	187	77

Dimensions by Tubing

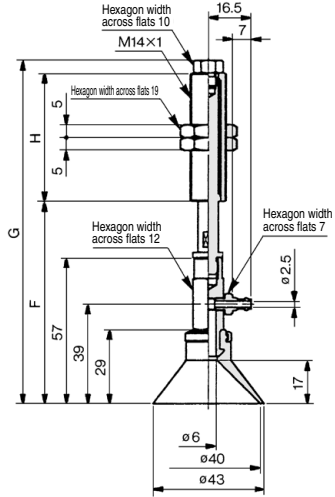
Model	J	K	L
ZPY□□ □ □ □ □ □ □ □ □ □ □ □ □ A10	5	1.8	14.5
ZPY□□ □ □ □ □ □ □ □ □ □ □ □ □ A10	7	2.5	16.5

Connection	Barb fitting	Pad Form	Flat/Flat with ribs/Deep
Vacuum Entry Port	Lateral	Mounting	Male thread

Flat/Flat with ribs/∅40, ∅50



Deep/∅40



Flat with ribs

∅40, ∅50

Flat/Flat with Ribs

Model	A	B	C	D	E	Y	
						Flat	Flat with ribs
ZPY40 ^U □□□□□□6-A14	40	43	18.5	28.5	46.5	6.5	3.3
ZPY50 ^U □□□□□□6-A14	50	53	19.5	29.5	47.5	7.5	3.8

Dimensions by Stroke

Model	∅40		∅50		H
	F	G	F	G	
ZPY□□ ^U □□□□□□10-□6-A14	58.5	126.5	59.5	127.5	50
ZPY□□ ^U □□□□□□20-□6-A14	68.5	123.5	69.5	124.5	
ZPY□□ ^U □□□□□□30-□6-A14	78.5	133.5	79.5	134.5	
ZPY□□ ^U □□□□□□50-□6-A14	98.5	178.5	99.5	179.5	

∅40

Deep

Model	F	G	H
ZPY40D□□□□□□10-□6-A14	69	137	50
ZPY40D□□□□□□20-□6-A14	79	134	
ZPY40D□□□□□□30-□6-A14	89	144	75
ZPY40D□□□□□□50-□6-A14	109	189	

ZP3

ZP3E

ZP2

ZP2V

ZP

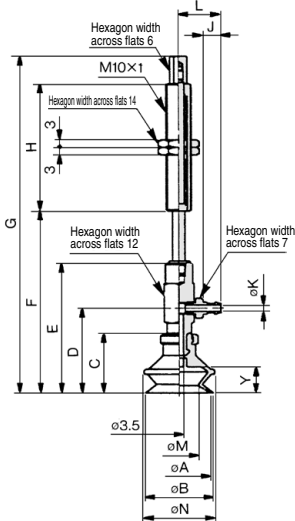
ZPT
ZPR

XT661

Vacuum Pad/ Lateral Vacuum Entry with Barb Fitting with Buffer **ZPY Series**

Connection	Barb fitting	Pad Form	Bellows
Vacuum Entry Port	Lateral	Mounting	Male thread

Bellows/ø20, ø25, ø32



ø20, ø25, ø32

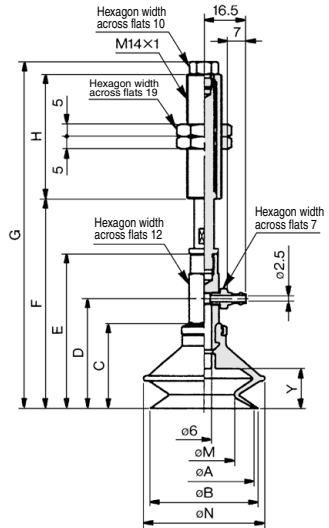
Bellows

Model	A	B	C	D	E	M	N	Y
ZPY20B□□□□□□□□□□-A10	20	22	23.5	33.5	51.5	12.6	25	10.5
ZPY25B□□□□□□□□□□-A10	25	27	24	34	52	16	28	
ZPY32B□□□□□□□□□□-A10	32	34	29	39	57	18.9	37	14

Dimensions by Stroke

Model	ø20			ø25			ø32			H	ø4 tube			ø6 tube		
	F	G	F	G	F	G	J	K	L		J	K	L	J	K	L
ZPY□□B□□□□□10□□□□-A10	62.5	96.5	63	97	68	102	23									
ZPY□□B□□□□□20□□□□-A10	74.5	136.5	75	137	80	142				51						
ZPY□□B□□□□□30□□□□-A10	84.5	146.5	85	147	90	152				5	1.8	14.5	7	2.5	16.5	
ZPY□□B□□□□□40□□□□-A10	94.5	182.5	95	183	100	188				77						
ZPY□□B□□□□□50□□□□-A10	104.5	192.5	105	193	110	198										

Bellows/ø40, ø50



ø40, ø50

Bellows

Model	A	B	C	D	E	M	N	Y
ZPY40B□□□□□□□□□□6-A14	40	43	34	44	62	24.4	47	16
ZPY50B□□□□□□□□□□6-A14	50	53	38	48	66	33.4	57	19

Dimensions by Stroke

Model	ø40		ø50		H
	F	G	F	G	
ZPY□□B□□□□□10□□□□-A14	74	142	78	146	
ZPY□□B□□□□□20□□□□-A14	84	139	88	143	50
ZPY□□B□□□□□30□□□□-A14	94	149	98	153	
ZPY□□B□□□□□50□□□□-A14	114	194	118	198	75

ZP3

ZP3E

ZP2

ZP2V

ZP

ZPT

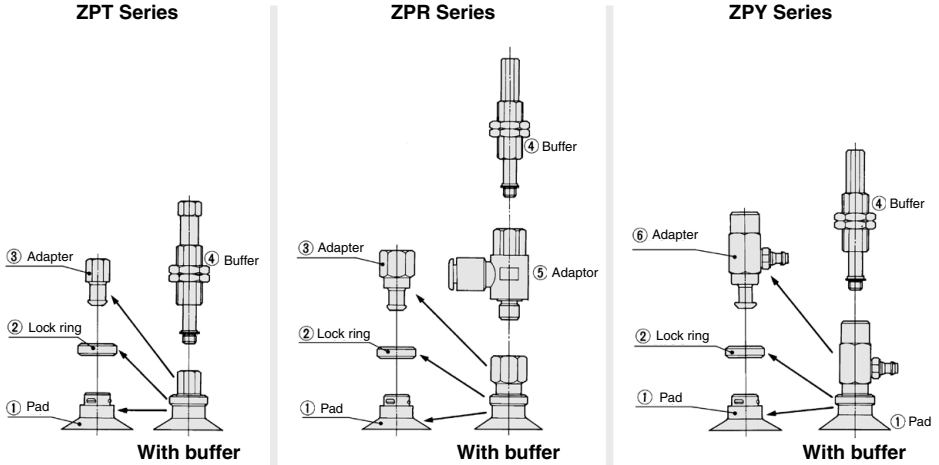
ZPR

XT661

Vacuum Pad/Components

Refer to pages 700 to 705 for part numbers of ㉓ to ㉖.

Construction

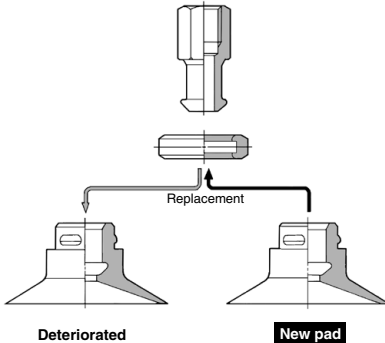


Component Parts

No.	Description	Material	Note
1	Pad	Conductive NBR, Conductive silicon rubber, NBR, Silicon rubber, Urethane rubber, FKM	
2	Lock ring	Brass	Electroless nickel plated
3	Adapter	Brass	Electroless nickel plated
4	Buffer	Brass	Electroless nickel plated
5	Adapter (with One-touch fitting)	Brass, PBT	Electroless nickel plated
6	Adapter (with barb fitting)	Brass	Electroless nickel plated

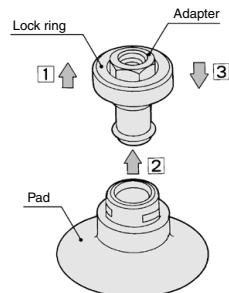
Maintenance of Pad

Since pads are essentially rubber, deterioration is unavoidable. The rate of deterioration depends upon factors such as conditions of use, environment and temperature. Regular maintenance should be performed. If any damage, splitting, cracking or abrasion has occurred in a pad which appears to be harmful, replace it immediately. Also, take care not to damage the outside surface of the pad.



How to Replace

1. Pull the lock ring upward, and after lifting it to the adapter, remove the old pad by pulling it downward.
2. While holding the lock ring in the raised position, place a new pad onto the adapter.
3. Confirm that the pad is securely in place, and then return the lock ring to its original position.



Replacement Parts: Pad Unit

How to Order Pad Unit

ZP 10 U N - X19

Pad dia. ↓

02	ø2
04	ø4
06	ø6
08	ø8
10	ø10
13	ø13
16	ø16
20	ø20
25	ø25
32	ø32
40	ø40
50	ø50

Lock ring

N11	With lock ring
-X19	(Without lock ring (ø10 or larger))

Material

N	NBR
S	Silicone rubber
U	Urethane rubber
F	FKM
GN	Conductive NBR
GS	Conductive silicone rubber

Pad type

U	Flat
C	Flat with ribs
D	Deep
B	Bellows

How to Order Lock Ring Unit

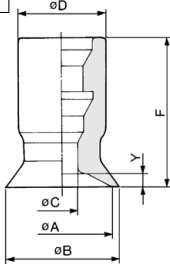
ZPL 1

Applicable pad dia.

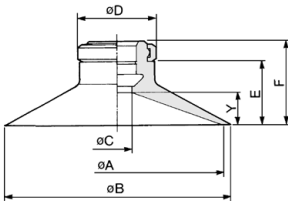
1	ø10 to ø16
2	ø20 to ø32
3	ø40, ø50

Flat (U) Refer to page 699 for the Elliptic.

ZP02U□ to 08U□



ZP10U□ to 50U□

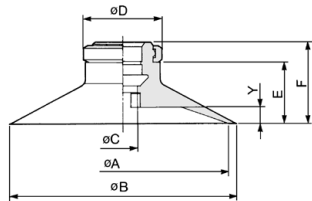


Model	Size	A	B	C	D	E	F	Y
ZP02U□	U02	2	2.6	1.2	7	—	12	0.5
ZP04U□	U04	4	4.8	1.6	7	—	12	0.8
ZP06U□	U06	6	7	2.5	7	—	12	0.8
ZP08U□	U08	8	9	2.5	7	—	12	1
ZP10U□	U10	10	12	4	13	7.7	12	3
ZP13U□	U13	13	15	4	13	7.7	12	3
ZP16U□	U16	16	18	4	13	8.2	12.5	3.5
ZP20U□	U20	20	23	4	15	9.5	14	4
ZP25U□	U25	25	28	4	15	9.5	14	4
ZP32U□	U32	32	35	4	15	10	14.5	4.5
ZP40U□	U40	40	43	7	18	13.7	18.5	6.5
ZP50U□	U50	50	53	7	18	14.7	19.5	7.5

* Put in the symbol for material at the end of model no.

Flat with Ribs (C)

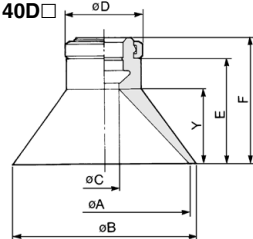
ZP10C□ to 50C□



Model	Size	A	B	C	D	E	F	Y
ZP10C□	C10	10	12	4	13	7.7	12	1.7
ZP13C□	C13	13	15	4	13	7.7	12	1.8
ZP16C□	C16	16	18	4	13	8.2	12.5	1.2
ZP20C□	C20	20	23	4	15	9.5	14	1.7
ZP25C□	C25	25	28	4	15	9.5	14	1.8
ZP32C□	C32	32	35	4	15	10	14.5	2.3
ZP40C□	C40	40	43	7	18	13.7	18.5	3.3
ZP50C□	C50	50	53	7	18	14.7	19.5	3.8

Deep (D)

ZP10D□ to 40D□



Model	Size	A	B	C	D	E	F	Y
ZP10D□	D10	10	12	4	13	10.7	15	6
ZP16D□	D16	16	18	4	13	11.7	16	7
ZP25D□	D25	25	28	4	15	15.5	20	10
ZP40D□	D40	40	43	7	18	24.2	29	17

ZP3

ZP3E

ZP2

ZP2V

ZP

ZPT

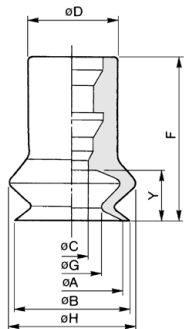
ZPR

XT661

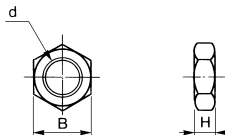
Replacement Parts: Pad Unit

Bellows (B)

Pad diameter: $\phi 6$ to $\phi 8$
 ZP06B□ to 08B□

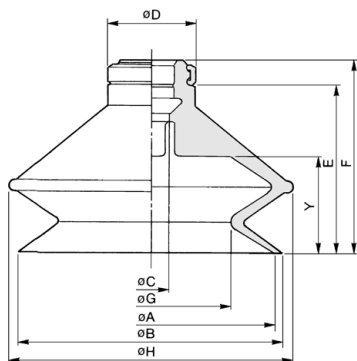


Adapter/Buffer Mounting Nut



Model	d	H	B
NTJ-015A	M5 x 0.8	4	8
ZPNA-M6	M6 x 1	3	8
ZPNA-M8	M8 x 1	3	12
ZPNA-M10	M10 x 1	3	14
ZPNA-M14	M14 x 1	5	19

Pad diameter: $\phi 10$ to $\phi 50$
 ZP10B□ to 50B□



Model	Size	A	B	C	D	E	F	G	H	Y
ZP06B□	B06	6	7	2.5	7	—	13	3.4	9	4
ZP08B□	B08	8	9	2.5	7	—	13	4.8	10	4
ZP10B□	B10	10	12	4	13	11.7	16	5.5	13.5	5.5
ZP13B□	B13	13	15	4	13	14.2	18.5	8.7	19	7.5
ZP16B□	B16	16	18	4	13	15.7	20	10	21	8.5
ZP20B□	B20	20	22	4	15	19	23.5	12.6	25	10.5
ZP25B□	B25	25	27	4	15	19.5	24	16	28	10.5
ZP32B□	B32	32	34	4	15	24.5	29	19	37	14
ZP40B□	B40	40	43	7	18	29.2	34	24.4	47	16
ZP50B□	B50	50	53	7	18	33.2	38	33.4	57	19

* Put in the symbol for material at the end of model no.

Replacement Parts: Pad Unit

How to Order/Pad Unit

Thin flat (UT), Thin flat with ribs (CT)

ZP 10 UT N

Pad diameter

10	ø10
13	ø13
16	ø16

Pad type

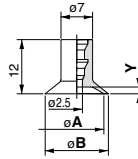
UT	Thin flat
CT	Thin flat with ribs

Material

N	NBR
S	Silicone rubber
U	Urethane rubber
F	FKM
GN	Conductive NBR
GS	Conductive silicone rubber

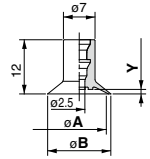
Dimensions

Thin flat



ZP□□UT□□

Thin flat with ribs



ZP□□CT□□

Dimensions (mm)

Model	A	B	Y
ZP10UT□□	10	11	1
ZP13UT□□	13	14	1.5
ZP16UT□□	16	17	

Dimensions (mm)

Model	A	B	Y
ZP10CT□□	10	11	0.8
ZP13CT□□	13	14	1
ZP16CT□□	16	17	

Elliptic

ZP 2004 U N

Pad diameter (Breadth x Length)

2004	2 x 4
3507	3.5 x 7
4010	4 x 10

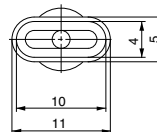
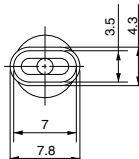
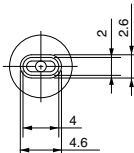
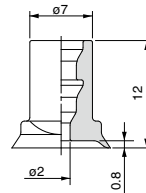
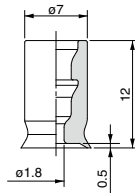
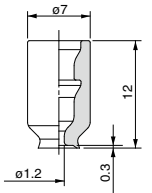
Pad type

U	Flat
---	------

Material

N	NBR
S	Silicone rubber
U	Urethane rubber
F	FKM
GN	Conductive NBR
GS	Conductive silicone rubber

Dimensions



ZP2004U□□

ZP3507U□□

ZP4010U□□

ZP3

ZP3E

ZP2

ZP2V

ZP

ZPT

ZPR

XT661

Replacement Parts: ZPT Series Adapter

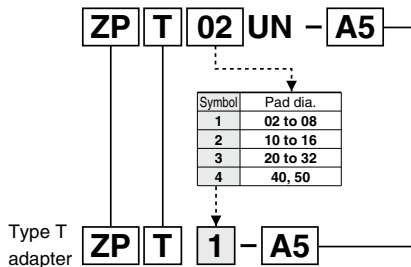
Appropriate adaptor or buffer can be selected for the currently used pad model.

● Without buffer

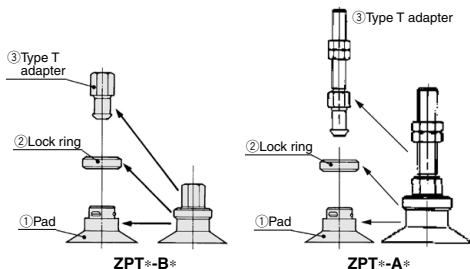
— The same symbol

◀..... Replacement of the symbol

[Pad model no.]



Construction



Applicable pad diameter: $\phi 2$ to $\phi 8$

2 x 4, 3.5 x 7, 4 x 10
 $\phi 10$ to $\phi 16$ (Thin section series)

Model	①Pad	②Lock ring	③Type T adapter
ZPT▲▲□***-A5	ZP▲▲□**	—	ZPT1-A5
ZPT▲▲□***-A6			ZPT1-A6
ZPT▲▲□***-B4			ZPT1-B4
ZPT▲▲□***-B5			ZPT1-B5

Note 1) Applicable pad diameter (▲▲): 02, 04, 06, 08, 10, 13, 16, 2004, 3507, 4010

Note 2) Applicable pad form (□): U, C, B, UT, CT

Applicable pad diameter: $\phi 10$ to $\phi 16$

Model	①Pad	②Lock ring	③Type T adapter
ZPT▲▲□***-A5	ZP▲▲□***-X19	ZPL1	ZPT2-A5
ZPT▲▲□***-A6			ZPT2-A6
ZPT▲▲□***-B5			ZPT2-B5
ZPT▲▲□***-B6			ZPT2-B6
ZPT▲▲□***-◇01			ZPT2-◇01

Note 1) Applicable pad diameter (▲▲): 10, 13, 16

Note 2) Applicable pad form (□): U, C, D, B

Note 3) Vacuum entry port (◇): B, N, T

Applicable pad diameter: $\phi 20$ to $\phi 32$

Model	①Pad	②Lock ring	③Type T adapter
ZPT▲▲□***-A6	ZP▲▲□***-X19	ZPL2	ZPT3-A6
ZPT▲▲□***-A8			ZPT3-A8
ZPT▲▲□***-B5			ZPT3-B5
ZPT▲▲□***-B6			ZPT3-B6
ZPT▲▲□***-B8			ZPT3-B8
ZPT▲▲□***-◇01			ZPT3-◇01

Note 1) Applicable pad diameter (▲▲): 20, 25, 32

Note 2) Applicable pad form (□): U, C, D, B

Note 3) Vacuum entry port (◇): B, N, T

Applicable pad diameter: $\phi 40$, $\phi 50$

Model	①Pad	②Lock ring	③Type T adapter
ZPT▲▲□***-A6	ZP▲▲□***-X19	ZPL3	ZPT4-A6
ZPT▲▲□***-A8			ZPT4-A8
ZPT▲▲□***-B6			ZPT4-B6
ZPT▲▲□***-B8			ZPT4-B8
ZPT▲▲□***-◇01			ZPT4-◇01

Note 1) Applicable pad diameter (▲▲): 40, 50

Note 2) Applicable pad form (□): U, C, D, B

Note 3) Vacuum entry port (◇): B, N, T

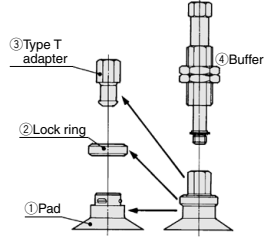
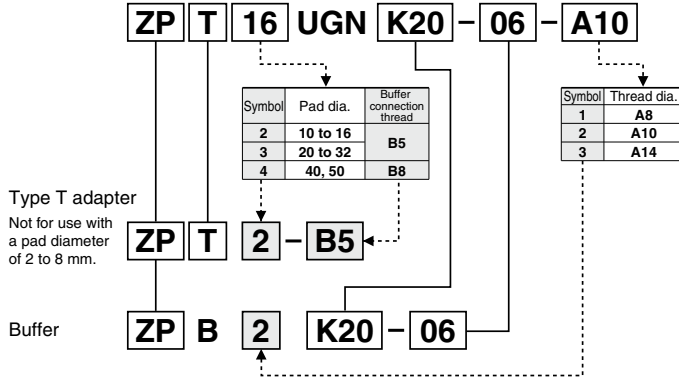
Replacement Parts: ZPT Series Adapter/Buffer

● With buffer

— The same symbol
 ◀ Replacement of the symbol

Construction

[Pad model no.]



Type T adapter
 Not for use with a pad diameter of 2 to 8 mm.

Buffer

* Refer to ø2 to ø8 for Thin flat, Thin flat with ribs, and Elliptic.

Applicable pad diameter: ø2 to ø8
 2 x 4, 3.5 x 7, 4 x 10
 ø10 to ø16 (Thin section series)

Model	① Pad	② Lock ring	③ Type T adapter	④ Buffer
ZPT▲▲□** (J-K) ■■■-B3-A8	ZP▲▲□**	—	—	ZPB1(J-K) ■■■-B3
ZPT▲▲□** (J-K) ■■■-B5-A8				ZPB1(J-K) ■■■-B5
ZPT▲▲□** (J-K) ■■■-N4-A8				ZPB1(J-K) ■■■-N4
ZPT▲▲□** (J-K) ■■■-U4-A8				ZPB1(J-K) ■■■-U4
ZPT▲▲□** (J-K) ■■■-04-A8				ZPB1(J-K) ■■■-04
ZPT▲▲□** (J-K) ■■■-06-A8				ZPB1(J-K) ■■■-06

Note 1) Applicable pad diameter (▲▲): 02, 04, 06, 08, 10, 13, 16, 2004, 3507, 4010

Note 2) Applicable pad form (□): U, C, B, UT, CT

Note 3) Applicable buffer stroke (■■■): 6, 10, 15, 25 mm

Applicable pad diameter: ø10 to ø16

Model	① Pad	② Lock ring	③ Type T adapter	④ Buffer
ZPT▲▲□** (J-K) ■■■-B5-A10	ZP▲▲□**-X19	ZPL1	ZPT2-B5	ZPB2(J-K) ■■■-B5
ZPT▲▲□** (J-K) ■■■-N6-A10				ZPB2(J-K) ■■■-N6
ZPT▲▲□** (J-K) ■■■-U6-A10				ZPB2(J-K) ■■■-U6
ZPT▲▲□** (J-K) ■■■-04-A10				ZPB2(J-K) ■■■-04
ZPT▲▲□** (J-K) ■■■-06-A10				ZPB2(J-K) ■■■-06

Note 1) Applicable pad diameter (▲▲): 10, 13, 16

Note 2) Applicable pad form (□): U, C, D, B

Note 3) Applicable buffer stroke (■■■): 10, 20, 30, 40, 50 mm

Applicable pad diameter: ø20 to ø32

Model	① Pad	② Lock ring	③ Type T adapter	④ Buffer
ZPT▲▲□** (J-K) ■■■-B5-A10	ZP▲▲□**-X19	ZPL2	ZPT3-B5	ZPB2(J-K) ■■■-B5
ZPT▲▲□** (J-K) ■■■-N6-A10				ZPB2(J-K) ■■■-N6
ZPT▲▲□** (J-K) ■■■-U6-A10				ZPB2(J-K) ■■■-U6
ZPT▲▲□** (J-K) ■■■-04-A10				ZPB2(J-K) ■■■-04
ZPT▲▲□** (J-K) ■■■-06-A10				ZPB2(J-K) ■■■-06

Note 1) Applicable pad diameter (▲▲): 20, 25, 32

Note 2) Applicable pad form (□): U, C, D, B

Note 3) Applicable buffer stroke (■■■): 10, 20, 30, 40, 50 mm

Applicable pad diameter: ø40, ø50

Model	① Pad	② Lock ring	③ Type T adapter	④ Buffer
ZPT▲▲□** (J-K) ■■■-B5-A14	ZP▲▲□**-X19	ZPL3	ZPT4-B8	ZPB3(J-K) ■■■-B5
ZPT▲▲□** (J-K) ■■■-01-A14				ZPB3(J-K) ■■■-01
ZPT▲▲□** (J-K) ■■■-N6-A14				ZPB3(J-K) ■■■-N6
ZPT▲▲□** (J-K) ■■■-U6-A14				ZPB3(J-K) ■■■-U6
ZPT▲▲□** (J-K) ■■■-06-A14				ZPB3(J-K) ■■■-06
ZPT▲▲□** (J-K) ■■■-08-A14				ZPB3(J-K) ■■■-08

Note 1) Applicable pad diameter (▲▲): 40, 50

Note 2) Applicable pad form (□): U, C, D, B

Note 3) Applicable buffer stroke (■■■): 10, 20, 30, 50 mm

Note 4) Vacuum entry port (<): B, N, T

ZP3

ZPE

ZP2

ZPV

ZP

ZPT

ZPR

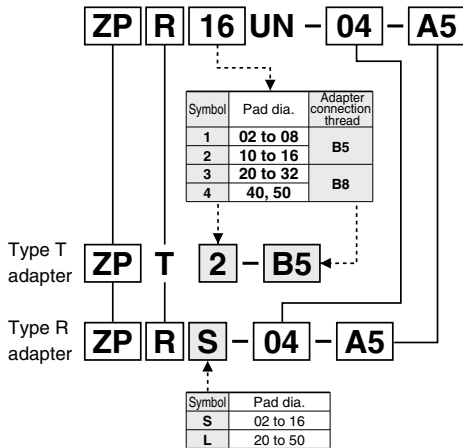
XT661

Replacement Parts: ZPR Series Adapter

● Without buffer

— The same symbol
 ◀..... Replacement of the symbol

[Pad model no.]



Applicable pad diameter: $\varnothing 2$ to $\varnothing 8$
 2 x 4, 3.5 x 7, 4 x 10
 $\varnothing 10$ to $\varnothing 16$ (Thin section series)

Model	① Pad	② Lock ring	③ Type T adapter	④ Type R adapter
ZPR▲▲□***◊◊-A5	ZP▲▲□**	—	ZPT1-B5	ZPRS-◊◊-A5
ZPR▲▲□***◊◊-A6				ZPRS-◊◊-A6
ZPR▲▲□***◊◊-B4				ZPRS-◊◊-B4
ZPR▲▲□***◊◊-B5				ZPRS-◊◊-B5

Note 1) Applicable pad diameter (▲▲): 02, 04, 06, 08, 10, 13, 16, 2004, 3507, 4010

Note 2) Applicable pad form (□): U, C, B, UT, CT

Note 3) Vacuum entry port (◊◊): 04, 06

Applicable pad diameter: $\varnothing 20$ to $\varnothing 32$

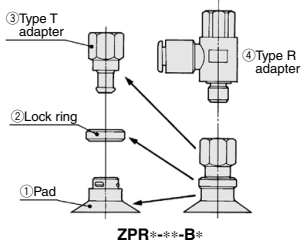
Model	① Pad	② Lock ring	③ Type T adapter	④ Type R adapter
ZPR▲▲□***◊◊-A6	ZP▲▲□**X19	ZPL2	ZPT3-B8	ZPRL-◊◊-A6
ZPR▲▲□***◊◊-A8				ZPRL-◊◊-A8
ZPR▲▲□***◊◊-B5				ZPRL-◊◊-B5
ZPR▲▲□***◊◊-B6				ZPRL-◊◊-B6
ZPR▲▲□***◊◊-B8				ZPRL-◊◊-B8

Note 1) Applicable pad diameter (▲▲): 20, 25, 32

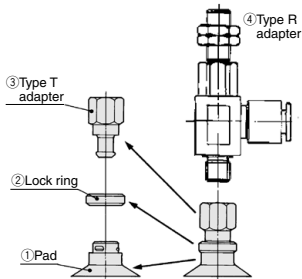
Note 2) Applicable pad form (□): U, C, D, B

Note 3) Vacuum entry port (◊◊): 04, 06, 08

Construction



ZPR***-B*



ZPR***-A*

Applicable pad diameter: $\varnothing 10$ to $\varnothing 16$

Model	① Pad	② Lock ring	③ Type T adapter	④ Type R adapter
ZPR▲▲□***◊◊-A5	ZP▲▲□**X19	ZPL1	ZPT2-B5	ZPRS-◊◊-A5
ZPR▲▲□***◊◊-A6				ZPRS-◊◊-A6
ZPR▲▲□***◊◊-B5				ZPRS-◊◊-B5
ZPR▲▲□***◊◊-B6				ZPRS-◊◊-B6

Note 1) Applicable pad diameter (▲▲): 10, 13, 16

Note 2) Applicable pad form (□): U, C, D, B

Note 3) Vacuum entry port (◊◊): 04, 06

Applicable pad diameter: $\varnothing 40$, $\varnothing 50$

Model	① Pad	② Lock ring	③ Type T adapter	④ Type R adapter
ZPR▲▲□***◊◊-A6	ZP▲▲□**X19	ZPL3	ZPT4-B8	ZPRL-◊◊-A6
ZPR▲▲□***◊◊-A8				ZPRL-◊◊-A8
ZPR▲▲□***◊◊-B6				ZPRL-◊◊-B6
ZPR▲▲□***◊◊-B8				ZPRL-◊◊-B8

Note 1) Applicable pad diameter (▲▲): 40, 50

Note 2) Applicable pad form (□): U, C, D, B

Note 3) Vacuum entry port (◊◊): 06, 08

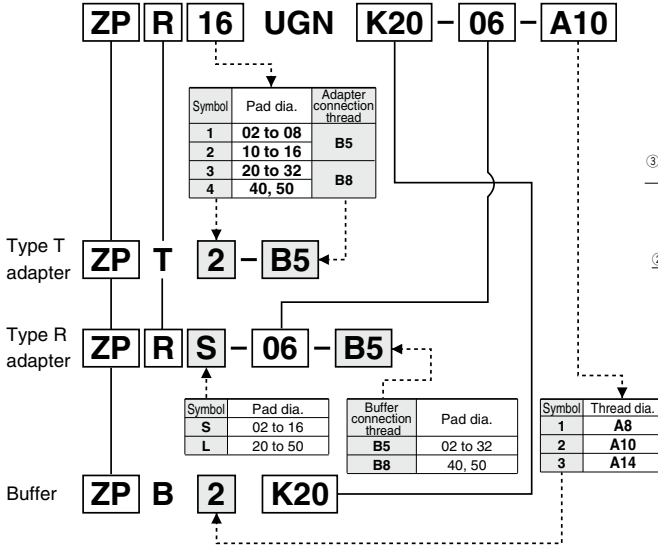
Replacement Parts: ZPR Series Adapter/Buffer

Note) For products with buffer, buffer and type R adapter are bonded at the time of purchase.

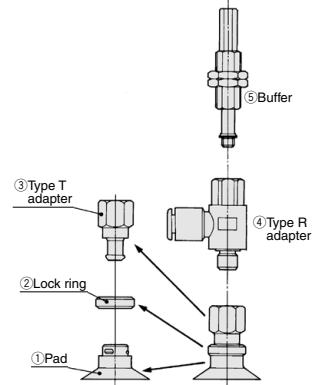
● With buffer

— The same symbol
 ◀ Replacement of the symbol

[Pad model no.]



Construction



* Refer to ø2 to ø8 for Thin flat, Thin flat with ribs, and Elliptic.

Applicable pad diameter: ø2 to ø8

2 x 4, 3.5 x 7, 4 x 10

ø10 to ø16 (Thin section series)

Model	① Pad	② Lock ring	③ Type T adapter	④ Type R adapter	⑤ Buffer
ZPR▲□■(J-K)■-◇-A8	ZP▲□■*	—	ZPT1-B5	ZPRS-◇-B5	ZPB1(J-K)■

Note 1) Applicable pad diameter (▲): 02, 04, 06, 08, 10, 13, 16, 2004, 3507, 4010

Note 2) Applicable pad form (□): U, C, B, UT, CT

Note 3) Applicable buffer stroke (■): 6, 10, 15, 25 mm

Note 4) Vacuum entry port (◇): 04, 06

Applicable pad diameter: ø10 to ø16

Model	① Pad	② Lock ring	③ Type T adapter	④ Type R adapter	⑤ Buffer
ZPR▲□■(J-K)■-◇-A10	ZP▲□■*X18	ZPL1	ZPT2-B5	ZPRS-◇-B5	ZPB2(J-K)■

Note 1) Applicable pad diameter (▲): 10, 13, 16

Note 2) Applicable pad form (□): U, C, D, B

Note 3) Applicable buffer stroke (■): 10, 20, 30, 40, 50 mm

Note 4) Vacuum entry port (◇): 04, 06

Applicable pad diameter: ø20 to ø32

Model	① Pad	② Lock ring	③ Type T adapter	④ Type R adapter	⑤ Buffer
ZPR▲□■(J-K)■-◇-A10	ZP▲□■*X19	ZPL2	ZPT3-B8	ZPRL-◇-B8	ZPB3(J-K)■

Note 1) Applicable pad diameter (▲): 20, 25, 32

Note 2) Applicable pad form (□): U, C, D, B

Note 3) Applicable buffer stroke (■): 10, 20, 30, 40, 50 mm

Note 4) Vacuum entry port (◇): 04, 06, 08

Applicable pad diameter: ø40, ø50

Model	① Pad	② Lock ring	③ Type T adapter	④ Type R adapter	⑤ Buffer
ZPR▲□■(J-K)■-◇-A14	ZP▲□■*X19	ZPL3	ZPT4-B8	ZPRL-◇-B8	ZPB3(J-K)■

Note 1) Applicable pad diameter (▲): 40, 50

Note 2) Applicable pad form (□): U, C, D, B

Note 3) Applicable buffer stroke (■): 10, 20, 30, 50 mm

Note 4) Vacuum entry port (◇): 06, 08

ZP3

ZP3E

ZP2

ZP2V

ZP

ZPT

ZPR

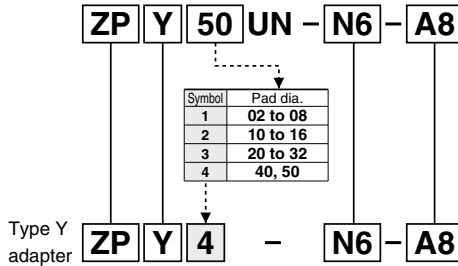
XT661

Replacement Parts: ZPY Series Adapter

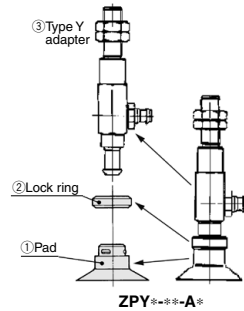
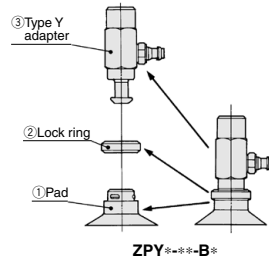
● Without buffer

— The same symbol
 ⋯ Replacement of the symbol

[Pad model no.]



Construction



Applicable pad diameter: ø2 to ø8
 2 x 4, 3.5 x 7, 4 x 10
 ø10 to ø16 (Thin section series)

Model	①Pad	②Lock ring	③Type Y adapter
ZPY▲▲□***◇◇-A5	ZP▲▲□**	—	ZPY1-◇◇-A5
ZPY▲▲□***◇◇-A6			ZPY1-◇◇-A6
ZPY▲▲□***◇◇-B4			ZPY1-◇◇-B4
ZPY▲▲□***◇◇-B5			ZPY1-◇◇-B5

Note 1) Applicable pad diameter (▲▲): 02, 04, 06, 08, 10, 13, 16, 2004, 3507, 4010

Note 2) Applicable pad form (□): U, C, B, UT, CT

Note 3) Vacuum entry port (◇◇): N4, N6, U4, U6

Applicable pad diameter: ø10 to ø16

Model	①Pad	②Lock ring	③Type Y adapter
ZPY▲▲□***◇◇-A5	ZP▲▲□***-X19	ZPL1	ZPY2-◇◇-A5
ZPY▲▲□***◇◇-A6			ZPY2-◇◇-A6
ZPY▲▲□***◇◇-B5			ZPY2-◇◇-B5
ZPY▲▲□***◇◇-B6			ZPY2-◇◇-B6

Note 1) Applicable pad diameter (▲▲): 10, 13, 16

Note 2) Applicable pad form (□): U, C, D, B

Note 3) Vacuum entry port (◇◇): N4, N6, U4, U6

Applicable pad diameter: ø20 to ø32

Model	①Pad	②Lock ring	③Type Y adapter
ZPY▲▲□***◇◇-A6	ZP▲▲□***-X19	ZPL2	ZPY3-◇◇-A6
ZPY▲▲□***◇◇-A8			ZPY3-◇◇-A8
ZPY▲▲□***◇◇-B5			ZPY3-◇◇-B5
ZPY▲▲□***◇◇-B6			ZPY3-◇◇-B6
ZPY▲▲□***◇◇-B8			ZPY3-◇◇-B8

Note 1) Applicable pad diameter (▲▲): 20, 25, 32

Note 2) Applicable pad form (□): U, C, D, B

Note 3) Vacuum entry port (◇◇): N4, N6, U4, U6

Applicable pad diameter: ø40, ø50

Model	①Pad	②Lock ring	③Type Y adapter
ZPY▲▲□***◇◇-A6	ZP▲▲□***-X19	ZPL3	ZPY4-◇◇-A6
ZPY▲▲□***◇◇-A8			ZPY4-◇◇-A8
ZPY▲▲□***◇◇-B6			ZPY4-◇◇-B6
ZPY▲▲□***◇◇-B8			ZPY4-◇◇-B8

Note 1) Applicable pad diameter (▲▲): 40, 50

Note 2) Applicable pad form (□): U, C, D, B

Note 3) Vacuum entry port (◇◇): N6, U6

Replacement Parts: ZPY Series Adapter/Buffer

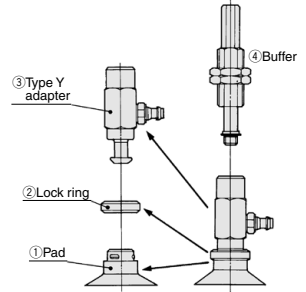
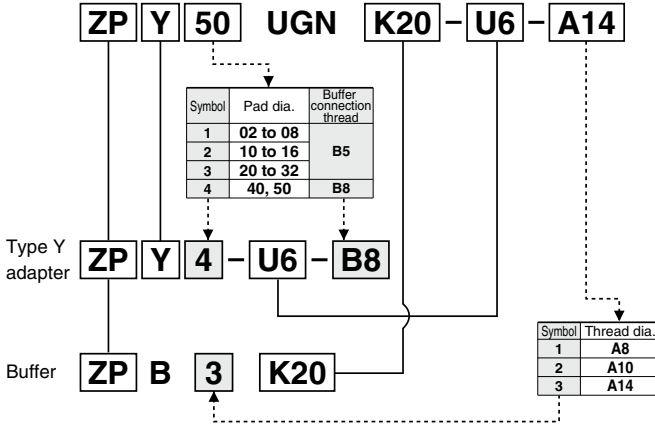
Note) For products with buffer, buffer and type Y adapter are bonded at the time of purchase.

● With buffer

— The same symbol
 ◀ Replacement of the symbol

Construction

[Pad model no.]



* Refer to ø2 to ø8 for Thin flat, Thin flat with ribs, and Elliptic.

Applicable pad diameter: ø2 to ø8
 2 x 4, 3.5 x 7, 4 x 10
 ø10 to ø16 (Thin section series)

Model	①Pad	②Lock ring	③Type Y adapter	④Buffer
ZPY▲▲□**{(J-K)■-◇-A8	ZP▲▲□**	—	ZPY1-◇-B5	ZPB1{(J-K)■

Note 1) Applicable pad diameter (▲▲): 02, 04, 06, 08, 10, 13, 16, 2004, 3507, 4010

Note 2) Applicable pad form (□): U, C, B, UT, CT

Note 3) Applicable buffer stroke (■): 5, 10, 15, 25 mm

Note 4) Vacuum entry port (◇◇): N4, N6, U4, U6

Applicable pad diameter: ø10 to ø16

Model	①Pad	②Lock ring	③Type Y adapter	④Buffer
ZPY▲▲□**{(J-K)■-◇-A10	ZP▲▲□**X19	ZPL1	ZPY2-◇-B5	ZPB2{(J-K)■

Note 1) Applicable pad diameter (▲▲): 10, 13, 16

Note 2) Applicable pad form (□): U, C, D, B

Note 3) Applicable buffer stroke (■): 10, 20, 30, 40, 50 mm

Note 4) Vacuum entry port (◇◇): N4, N6, U4, U6

Applicable pad diameter: ø20 to ø32

Model	①Pad	②Lock ring	③Type Y adapter	④Buffer
ZPY▲▲□**{(J-K)■-◇-A10	ZP▲▲□**X19	ZPL2	ZPY3-◇-B5	ZPB2{(J-K)■

Note 1) Applicable pad diameter (▲▲): 20, 25, 32

Note 2) Applicable pad form (□): U, C, D, B

Note 3) Applicable buffer stroke (■): 10, 20, 30, 40, 50 mm

Note 4) Vacuum entry port (◇◇): N4, N6, U4, U6

Applicable pad diameter: ø40, ø50

Model	①Pad	②Lock ring	③Type Y adapter	④Buffer
ZPY▲▲□**{(J-K)■-◇-A14	ZP▲▲□**X19	ZPL3	ZPY4-◇-B5	ZPB3{(J-K)■

Note 1) Applicable pad diameter (▲▲): 40, 50

Note 2) Applicable pad form (□): U, C, D, B

Note 3) Applicable buffer stroke (■): 10, 20, 30, 50 mm

Note 4) Vacuum entry port (◇◇): N6, U6

ZP3

ZP3E

ZP2

ZP2V

ZP

ZPT

ZPR

XT661