



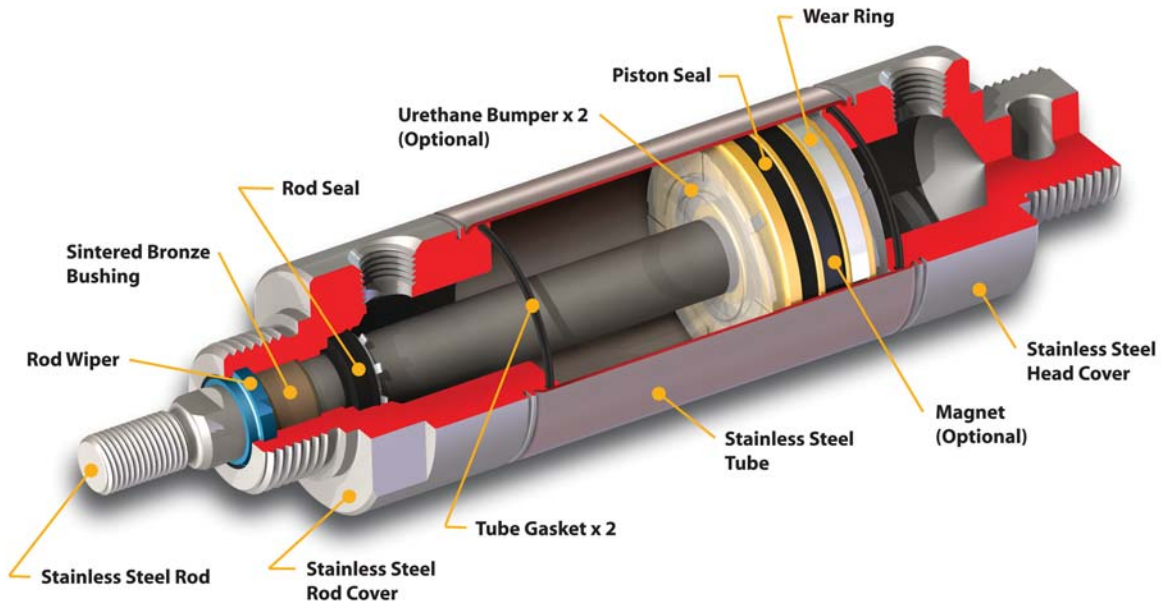
Series NCM–X6009

All Stainless Steel Cylinder



- All exterior components made from corrosion resistant 304 stainless steel
- Built in rod wiper to protect interior from contaminants
- Same built-in quality features as standard NCM Series
- Available in 6 bore sizes
- Rod cover wrench flats for safer cylinder tightening
- Dimensionally interchangeable with standard NCM Series

Construction Features



Specifications

Bore Size (Inch)	075 (3/4")	088 (7/8")	106 (1-1/16")	125 (1.25")	150 (1.5")	200 (2")
Fluid	Air					
Maximum Operating Pressure	250 PSI (1.7MPa)					150 PSI (1.0 MPa)
Minimum Operating Pressure	8 PSI (0.06MPa)					
Ambient and Fluid Temperature	40° to 140° F					
Piston Speed	No bumper: 2 to 20 inch/sec (50 to 500 mm/sec) Bumper: 2 to 30 inch/sec (50 to 750 mm/sec)					
Cushion	Urethane bumper optional					
Lubrication	Not required (Pre-lubricated at factory with standard or food grade grease)					
Mounting	B, E					

How to Order

NC **D** **M** **B** **075** - **02** **00** **C** - **M9NA** ***** - **X6009**

Auto switch magnet

Nil	No magnet
D	A/S Capable

• Magnet not available with XB6 and XB7.

Mounting style

B	Front nose mount
E	Double end

Note) "E" mount includes rear clevis hole but does not include clevis pin or mounting.

Bore Size

075	3/4"
088	7/8"
106	1-1/16"
125	1-1/4"
150	1-1/2"
200	2"

Stroke/Inch

Stroke/Hundredths of an inch

Options

X6009	All stainless steel with standard grease
X6009A	Food grade grease
X6009B	Food grade grease & viton wiper/rod seal
X6009C	Food grade grease & all viton seals
XB6-X6009*	High temp. and stainless
XB7-X6009*	Low temp. and stainless

* XB6-X6009 contains XB6 seals and grease. XB7-X6009 contains standard XB7 seals and grease.

Number of auto switches

Nil	2 pcs.
S	1 pc.
n	"n" pcs.
L	Long leads

Auto switch

Nil	Without auto switch
M9NA	3 wire NPN
M9PA	3 wire PNP
M9BA	2 wire

• See auto switch How-To-Order

Note) There are other applicable auto switches than listed, contact SMC for details.

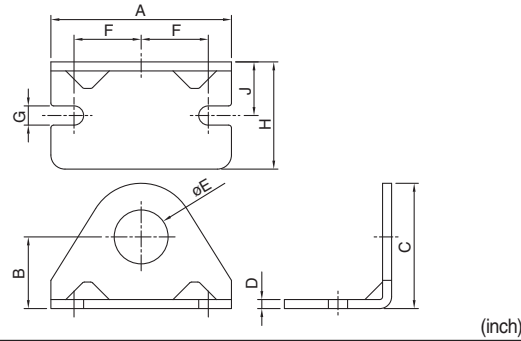
Cushion

Nil	None
C	Urethane

• Cushion not available in combination with XB6 or XB7

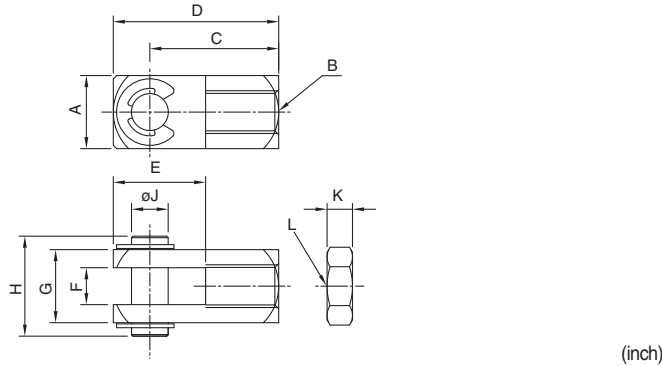
NCM -X6009 Accessories

Stainless Steel Foot Bracket



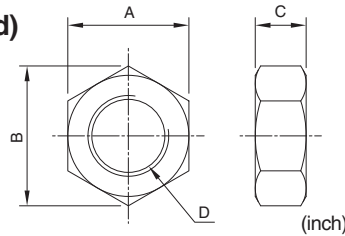
Part no.	Applicable bore size	A	B	C	D	E	F	G	H	J
NCM-L075SS	3/4", 7/8", 1-1/16"	1.89	0.81	1.36	0.12	0.63	0.75	0.27	0.98	0.56
NCM-L150SS	1-1/4", 1-1/2"	2.52	1.00	1.75	0.12	0.75	0.94	0.27	1.50	0.75
NCM-L200SS	2"	3.12	1.50	2.50	0.25	1.38	1.13	0.34	1.63	1.00

Stainless Steel Rod Clevis



Part no.	Applicable bore size	A	B	C	D	E	F	G	H	J	K	L
NY-075SS	3/4", 7/8"	0.51	1/4-28	0.94	1.18	0.69	0.25	0.51	0.71	0.25	0.16	1/4-28
NY-106SS	1-1/16"	0.51	5/16-24	0.94	1.18	0.69	0.25	0.51	0.71	0.25	0.19	5/16-24
NY-125SS	1-1/4", 1-1/2"	0.75	7/16-20	1.31	1.69	0.94	0.38	0.75	1.02	0.38	0.25	7/16-20
NY-G050SS	2"	0.75	1/2-20	1.32	1.69	0.94	0.38	0.75	1.02	0.38	0.31	1/2-20

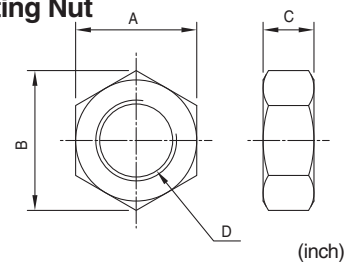
Stainless Jam Nut (Rod Thread)



Part no.	Applicable bore size	A	B	C	D
JM-025-SUS	3/4", 7/8"	0.44	0.51	0.16	1/4-28 UNF
JM-03-SUS	1-1/16"	0.50	0.50	0.19	5/16-24 UNF
JM-045-SUS	1-1/4", 1-1/2"	0.69	0.79	0.26	7/16-20 UNF
JM-05-SUS <small>Note 1)</small>	2"	0.75	0.87	0.32	1/2-20 UNF

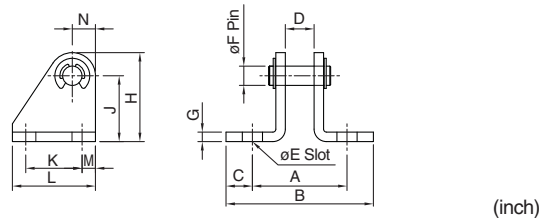
Note 1) Please order separately.

Stainless Steel Mounting Nut (Nose Mount Thread)



Part no.	Applicable bore size	A	B	C	D
JM-08-SUS	3/4", 7/8" 1-1/16"	0.94	1.08	0.38	5/8-18 UNF
JM-10-SUS	1-1/4", 1-1/2"	1.12	1.30	0.42	3/4-16 UNF
JM-14-SUS	2"	1.61	1.86	0.43	1-1/4 -12 UNF

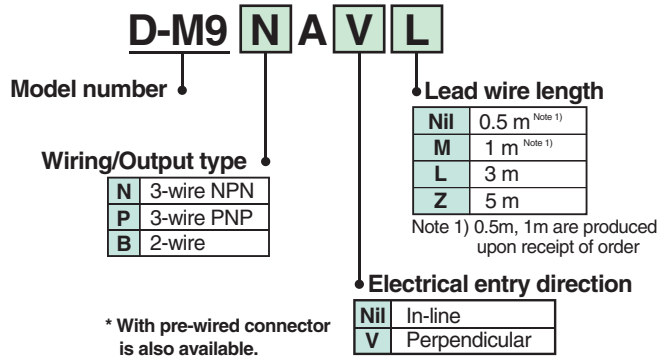
Stainless Steel Pivot Bracket



Part no.	Applicable bore size	A	B	C	D	øE	F	G	H	J	K	L	M	N	Pin Part No.	Retaining Ring Part No.
NCM-PE075SS	3/4", 7/8" 1-1/16"	1.25	1.95	0.35	0.38	0.27	0.25	0.12	1.18	0.88	0.75	1.10	0.18	0.31	NCM075-23A-X6009	98408A120
NCM-PE125SS	1-1/4"	1.38	2.08	0.35	0.50	0.27	0.25	0.12	1.18	0.88	0.75	1.10	0.18	0.31	NCM125-23A-X6009	98408A120
NCM-PE150SS	1-1/2"	1.88	2.63	0.36	0.63	0.27	0.38	0.12	1.75	1.38	1.00	1.50	0.25	0.37	NCM150-23-X6009	98408A134
NCG-PC050SS	2"	2.12	3.00	0.44	0.75	0.26	0.38	0.24	1.75	1.38	1.00	1.50	0.25	0.37	NCM200-23-X6009	98408A134

Related Product

Water Resistant 2-Color Indication Solid State Switch: Direct Mounting Style How to Order



- Water (coolant) resistant type
- 2-wire load current is 2.5 to 40 mA
- RoHS compliant
- UL certified (style 2844) lead cable is used



Global Manufacturing, Distribution and Service Network

Worldwide Subsidiaries

EUROPE

AUSTRIA
SMC Pneumatik GmbH (Austria)

BELGIUM
SMC Pneumatics N.V./S.A.

BULGARIA
SMC Industrial Automation Bulgaria EOOD

CROATIA
SMC Industrijska Automatika d.o.o.

CZECH
SMC Industrial Automation CZ s.r.o.

DENMARK
SMC Pneumatik A/S

ESTONIA
SMC Pneumatics Estonia

FINLAND
SMC Pneumatics Finland OY

FRANCE
SMC Pneumatique S.A.

GERMANY
SMC Pneumatik GmbH

GREEK
SMC Hellas EPE

HUNGARY
SMC Hungary Ipari Automatizálási Kft.

IRELAND
SMC Pneumatics (Ireland) Ltd.

ITALY
SMC Italia S.p.A.

LATVIA
SMC Pneumatics Latvia SIA

LIETUVA
SMC Pneumatics Lietuva, UAB

NETHERLANDS
SMC Pneumatics BV

NORWAY
SMC Pneumatics Norway A/S

POLAND
SMC Industrial Automation Polska Sp.z.o.o.

ROMANIA
SMC Romania S.r.l.

RUSSIA
SMC Pneumatik LLC.

SLOVAKIA
SMC Priemyselna Automatizácia, s.r.o.

SLOVENIA
SMC Industrijska Avtomatika d.o.o.

SPAIN/PORTUGAL
SMC España, S.A.

SWEDEN
SMC Pneumatics Sweden AB

SWITZERLAND
SMC Pneumatik AG

UK
SMC Pneumatics (U.K.) Ltd.

ASIA

CHINA
SMC (China) Co., Ltd.

HONG KONG
SMC Pneumatics (Hong kong) Ltd.

INDIA
SMC Pneumatics (India) Pvt. Ltd.

JAPAN
SMC Corporation

MALAYSIA
SMC Pneumatics (S.E.A.) Sdn. Bhd.

PHILIPPINES
SMC Pneumatics (Philippines), Inc.

SINGAPORE
SMC Pneumatics (S.E.A.) Pte. Ltd.

SOUTH KOREA
SMC Pneumatics Korea Co., Ltd.

TAIWAN
SMC Pneumatics (Taiwan) Co., Ltd.

THAILAND
SMC Thailand Ltd.

NORTH AMERICA

CANADA
SMC Pneumatics (Canada) Ltd.

MEXICO
SMC Corporation (Mexico) S.A. DE C.V.

USA
SMC Corporation of America

SOUTH AMERICA

ARGENTINA
SMC Argentina S.A.

BOLIVIA
SMC Pneumatics Bolivia S.R.L.

BRAZIL
SMC Pneumaticos do Brazil Ltda.

CHILE
SMC Pneumatics (Chile) S.A.

VENEZUELA
SMC Neumatica Venezuela S.A.

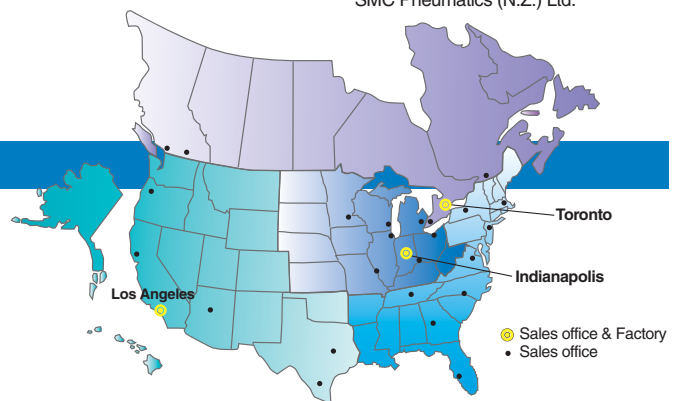
OCEANIA

AUSTRALIA
SMC Pneumatics (Australia) Pty. Ltd.

NEW ZEALAND
SMC Pneumatics (N.Z.) Ltd.

U.S. & Canadian Sales Offices

EAST	WEST	MIDWEST	CANADA
Atlanta	Austin	Chicago	Calgary
Boston	Dallas	Cincinnati	Montreal
Charlotte	Los Angeles	Cleveland	Toronto
Nashville	Phoenix	Detroit	Vancouver
New Jersey	Portland	Indianapolis	Windsor
Richmond	San Francisco	Milwaukee	
Rochester		Minneapolis	
Tampa		St. Louis	



SMC Corporation of America
3011 N. Franklin Road
Indianapolis, IN 46226

(800) SMC.SMC1 (762-7621)

www.smcusa.com

SMC Pneumatics (Canada) Ltd.
6768 Financial Drive Mississauga
Ontario, L5N 7J6 Canada

www.smc Pneumatics.ca

For international inquiries: www.smcworld.com