

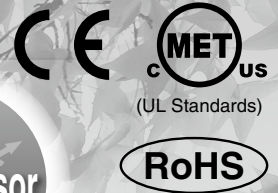
Circulating Fluid Temperature Controller Thermo-chiller

HRSH Series

Inverter Type

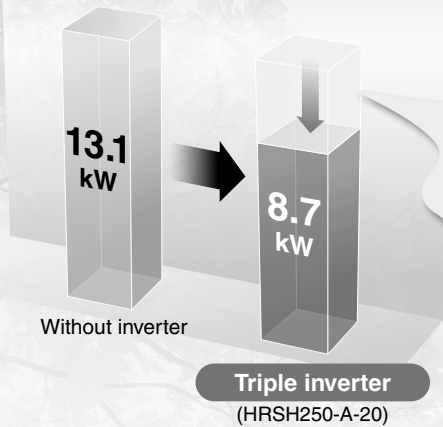


Outstanding energy saving due to
with the triple inverter!



Triple inverter

- DC inverter compressor
- DC inverter fan (For the air-cooled type) *2
- Inverter pump



Power consumption
reduced by
34% *1
(Energy saving)

Cooling capacity 10 kW, 15 kW, 20 kW, 25 kW, 28 kW

Temperature stability $\pm 0.1^{\circ}\text{C}$
(When a load is stable)

Compact, Space saving

Outdoor installation,
Splashproof type (IPX4) *3

Low-noise design ^{Operating noise} **Max. 68 dB**
(Except HRSH300-A)

Ambient temperature -20 to 45°C
(For the air-cooled type)

Maintenance-free pump
A mechanical sealless **immersion pump** is used.
No need to replace the seal → Reduced maintenance labor

Compatible with
power supplies in
Europe, Asia, Oceania, and North,
Central, and South America

- 3-phase 200 VAC
- 3-phase 400 VAC



*1 Under the conditions shown on page 223
*2 For the water-cooled type, a water-regulating valve is used for the facility water flow control instead of a fan.
*3 For unexpected natural phenomena, such as stormy weather exceeding the IPX4 level, make sure to take additional protective measures.

HRSH
HRSH-R
HRSH090
HRSH100/150
HRSH200
HRSH090
HRSH
HRSE
HRR
HRL
HRZ
HRZD
HRW
HECR
HEC
HEB
HED
Technical Data

Triple inverter

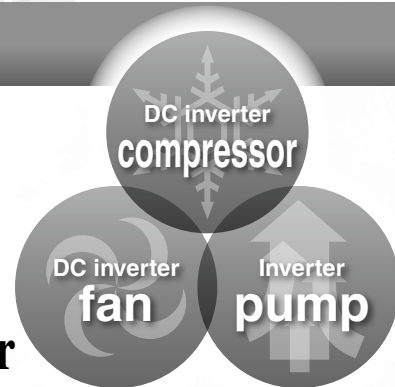
The inverter respectively controls the number of motor rotations of the compressor, fan and pump depending on the load from the user's equipment.

Power consumption

reduced by 34%*

compared with a thermo-chiller without the inverter

With the inverter, it is possible to operate with the same performance even with the power supply of 50 Hz.

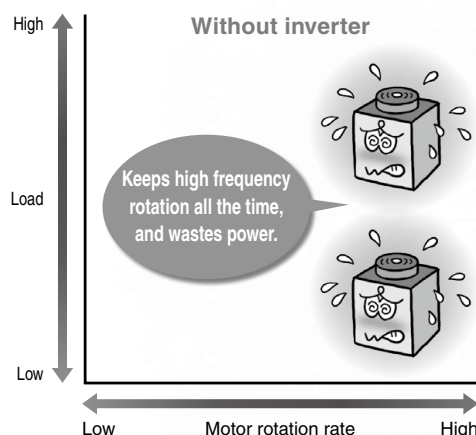
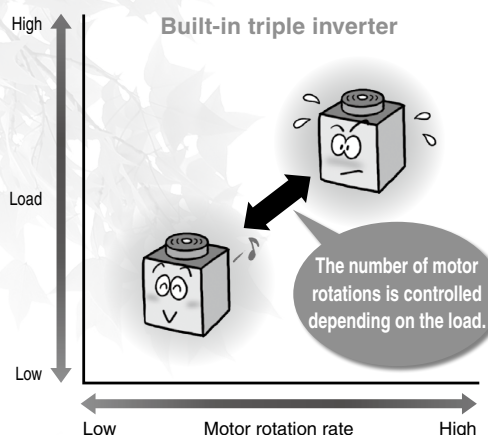


(The water-cooled type is not equipped with a fan.)

*1 For HRSH250-A-20

Conditions

- Outdoor air temperature: 32°C ● Circulating fluid temperature setting: 20°C ● Heat load in the user's equipment: 25 kW ● Power supply: 200 V 60 Hz
- Circulating fluid flow rate: 60 L/min at 0.5 MPa to the user's equipment ● External piping: The shortest distance assumed to the user's equipment
- Values shown in the graph for a thermo-chiller without inverter are found by calculation based on an assumption that a thermo-chiller is operated with a general refrigerant circuit that controls the compressor by turning the power ON/OFF, and with a bypass to the circulating fluid circuit.



Variations Cooling capacities ranging from 10 kW to 25 kW

Air-cooled refrigeration



Water-cooled refrigeration



Model	HRSH100-A	HRSH150-A	HRSH200-A
Cooling capacity	10.5 kW	15.7 kW	20.5 kW
Power supply	3-phase 200 VAC (50 Hz), 3-phase 200 to 230 VAC (60 Hz)		
	3-phase 380 to 415 VAC (50/60 Hz) 3-phase 460 to 480 VAC (60 Hz)		
Set temp. range	5 to 35°C		
Temp. stability	±0.1°C		

Model	HRSH250-A	HRSH300-A
Cooling capacity	25 kW	28 kW
Power supply	3-phase 200 VAC (50 Hz), 3-phase 200 to 230 VAC (60 Hz)	
	3-phase 380 to 415 VAC (50/60 Hz), 3-phase 460 to 480 VAC (60 Hz)	
Set temp. range	5 to 35°C	
Temp. stability	±0.1°C	

Model	HRSH100-W	HRSH150-W	HRSH200-W	HRSH250-W
Cooling capacity	11.5 kW	15.7 kW	20.6 kW	24 kW
Power supply	3-phase 200 VAC (50 Hz), 3-phase 200 to 230 VAC (60 Hz)			
	3-phase 380 to 415 VAC (50/60 Hz) 3-phase 460 to 480 VAC (60 Hz)			
Set temp. range	5 to 35°C			
Temp. stability	±0.1°C			

Options

▶ Page 244

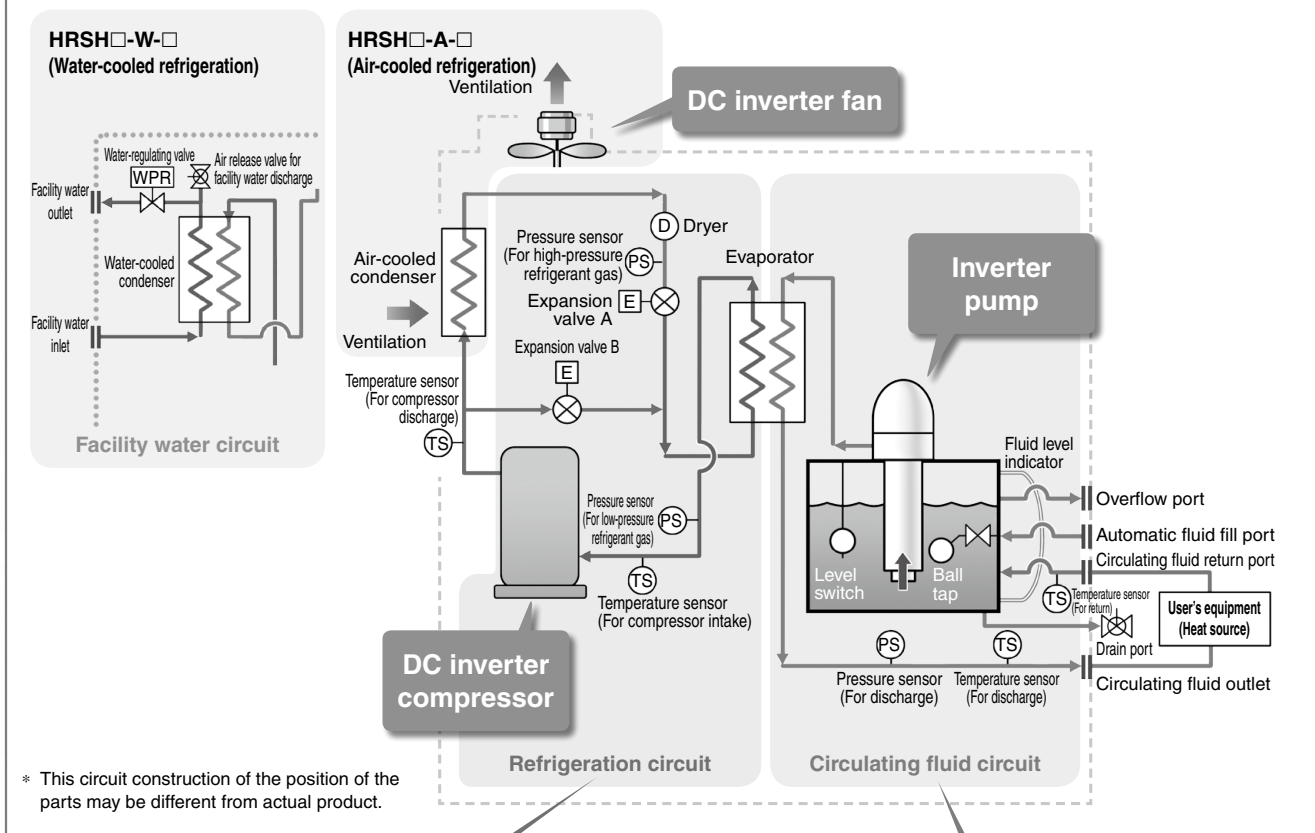
- With caster adjuster-foot
- With earth leakage breaker (400 V type is equipped as standard.)
- With earth leakage breaker with handle (400 V type is equipped as standard.)
- With fluid fill port
- Compliant with CE/UL standards
- SI unit only

Optional accessories

▶ Page 247

- Piping conversion fitting
- Caster adjuster-foot kit
- Electric conductivity control set
- Bypass piping set
- Snow protection hood (Air-cooled only)
- Particle filter set
- Wired remote controller

Circuit diagram



Refrigeration circuit

- The DC inverter compressor compresses the refrigerant gas and discharges high-temperature, high-pressure refrigerant gas.
- In the case of air-cooled refrigeration, the high-temperature, high-pressure refrigerant gas is cooled down by DC inverter fan ventilation in the air-cooled condenser, where it is then liquefied. In the case of water-cooled refrigeration, the refrigerant gas is cooled by the facility water in the facility water circuit in the water-cooled condenser, where it is then liquefied.
- The liquefied high-pressure refrigerant gas expands and its temperature lowers when it passes through expansion valve A, where it vaporizes after receiving heat from the circulating fluid in the evaporator.
- The vaporized refrigerant gas is sucked into the DC inverter compressor and compressed again.
- When heating the circulating fluid, the high-pressure, high-temperature refrigerant gas is bypassed into the evaporator by expansion valve B to heat the circulating fluid.

POINT

The combination of inverter control of the compressor and fan (facility water flow control by a water-regulating valve is used in water-cooled refrigeration), and the precise control of expansion valves A and B realizes energy saving operation without waste and high temperature stability.

Circulating fluid circuit

- After the circulating fluid discharged from the inverter pump is heated or cooled by the user's equipment, it returns to the tank.
- The circulating fluid is sent to the evaporator by the inverter pump, and is controlled to remain at a set temperature by the refrigeration circuit. It will then be discharged to the user's equipment side again by the thermo-chiller.

POINT

Adjusting the discharge pressure by pump inverter control eliminates wasteful discharge of the circulating fluid and realizes energy saving operation.

POINT

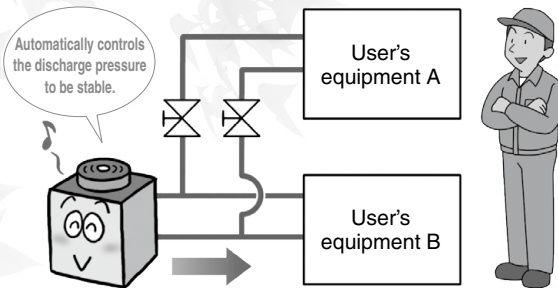
Since the refrigeration circuit is controlled by the signals from 2 temperature sensors (for return and discharge), precise temperature control of the circulating fluid can be achieved. Therefore, there is no need for a tank with a large capacity to absorb the circulating fluid temperature difference, as high temperature stability can be achieved even with a small-size tank. This also contributes to space saving.

- HRS
- HRS-R
- HRS090
- HRS 100/150
- HRS200
- HRS090
- HRSH
- HRSE
- HRR
- HRL
- HRZ
- HRZD
- HRW
- HECR
- HEC
- HEB
- HED
- Technical Data

Circulating fluid pressure adjustable



Discharge pressure of the circulating fluid can be set with the operation panel. The inverter pump automatically controls the discharge pressure to the set pressure without adjusting the bypass piping under various piping conditions. Power consumption can be reduced by this control. (Operation to the set pump operating frequency is also possible.)



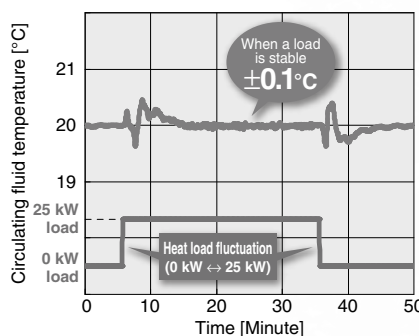
Operation display panel (Circulating fluid discharge pressure setup screen)

When the product is used with the flow path switched for maintenance, the pressure adjusting function controls the discharge pressure to be stable. (Secure the specified minimum flow for each branch circuit.)



Temperature stability $\pm 0.1^\circ\text{C}$ (When a load is stable)

By controlling the DC inverter compressor, DC inverter fan, and electronic expansion valve simultaneously, it maintains the good temperature stability when the heat load fluctuates.



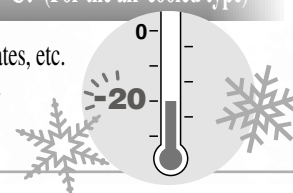
* For HRSH250-A-20

- Conditions**
- Outdoor air temperature: 32°C
 - Circulating fluid temperature setting: 20°C
 - Heat load in the user's equipment: 25 kW
 - Power supply: 200 V 60 Hz
 - Circulating fluid flow: 125 L/min at 0.5 MPa
 - External piping: Bypass piping + Heat load

Applicable to an ambient temperature of -20°C . (For the air-cooled type)

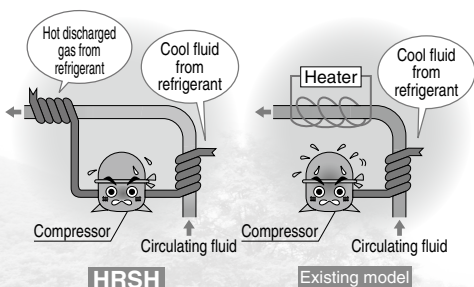
The product can be installed outdoors even in cold climates, etc.

* Before using the product, refer to "Operation at low ambient temperature or low circulating fluid temperature" (page 255).

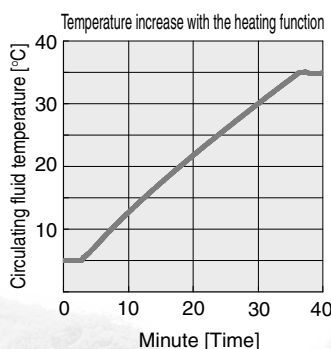


Circulating fluid can be heated without a heater.

As the heating method uses discharged heat, a heater is unnecessary.

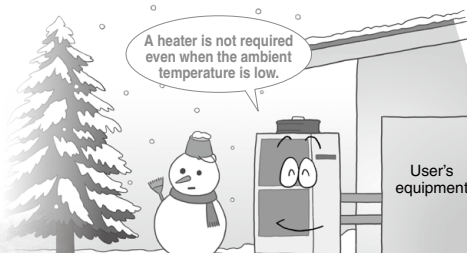


* This is just an example diagram.



* For HRSH250-A-20

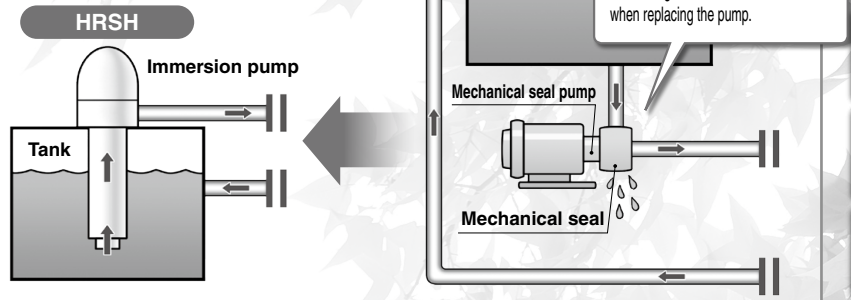
- Conditions**
- Ambient temperature: 5°C
 - Power supply: 200 V 60 Hz
 - Circulating fluid flow: 125 L/min at 0.5 MPa
 - External piping: Bypass piping



Reduced maintenance hours for the pump

A mechanical sealless immersion pump is used.

As the pump has no external leakage of the circulating fluid, a periodic check of the pump leakage and replacement of the mechanical seal are not necessary. There is no need to exhaust the circulating fluid when removing the pump.



Compact and lightweight 280 kg (For HRSH250-A-20)

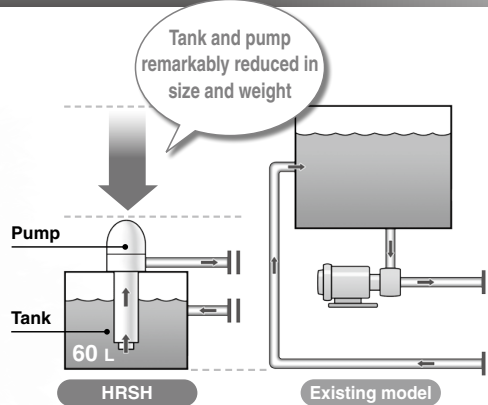
Compact tank 60 L (HRSH250-A)

Temperature followability control reduced the tank capacity required as a buffer.

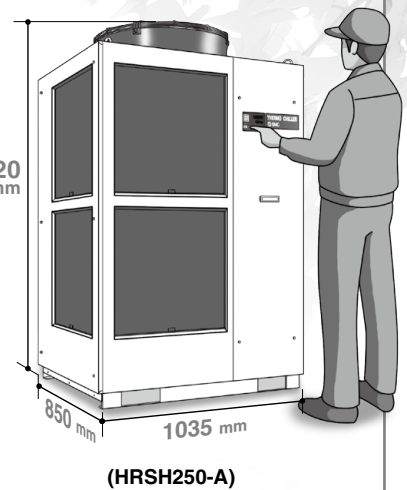
Aluminum air-cooled condenser

High heat transfer efficiency, lightweight

The integrated tank and pump saves space.

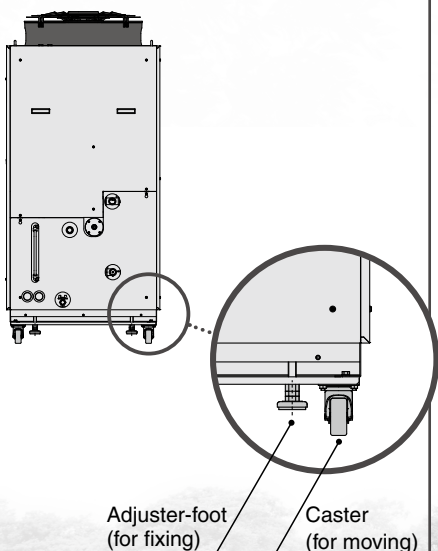


	Model	Height [mm]	Width [mm]	Depth [mm]	Weight [kg]
Air-cooled refrigeration	HRSH100-A	1420	954	715	180
	HRSH150/200-A	1420	954	715	215
	HRSH250/300-A	1720	1035	850	280
Water-cooled refrigeration	HRSH100-W	1235	687	715	150
	HRSH150/200/250-W	1235	687	715	180



With caster adjuster-foot (Option)

p. 247

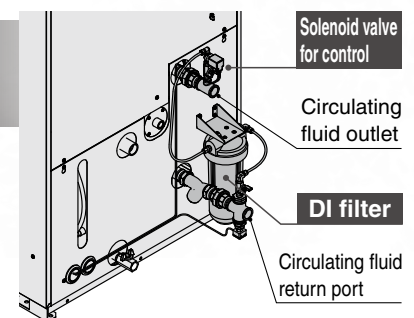


Electric conductivity control set

(With DI filter + Solenoid valve kit for control) p. 248

The electric conductivity of the circulating fluid can be set with the controller monitor arbitrarily.

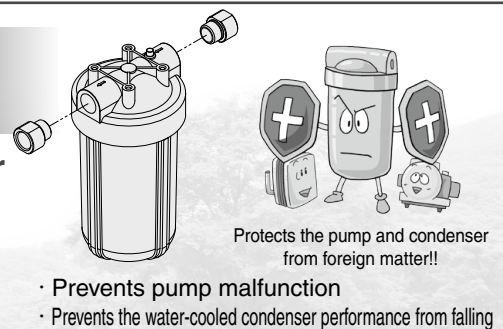
Set control range:
5.0 to 45.0 $\mu\text{S/cm}$



Particle filter set p. 250

Removes foreign matter in the circulating fluid

Effective in preventing foreign matter from entering the user's equipment and chiller



IPX4

IP (International Protection) is the industrial standard for “Degrees of protection provided by outer defensive enclosures of electric equipment (IP Code)” according to IEC 60529 and JIS C 0920.

IPX4: No harmful influence by water splash is acceptable from every direction.

Can be installed outdoors



Globally compatible power supplies

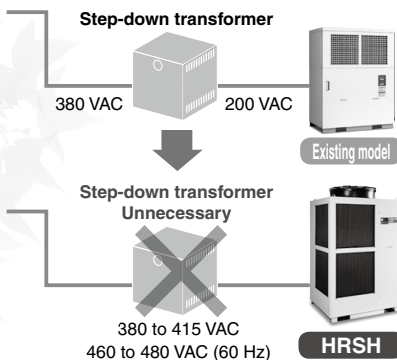
(Europe, Asia, Oceania, Central and South America)



Transformer unnecessary (400 V type only)

Power supply Applicable to 200 to 230 VAC, 380 to 415 VAC, or 460 to 480 VAC

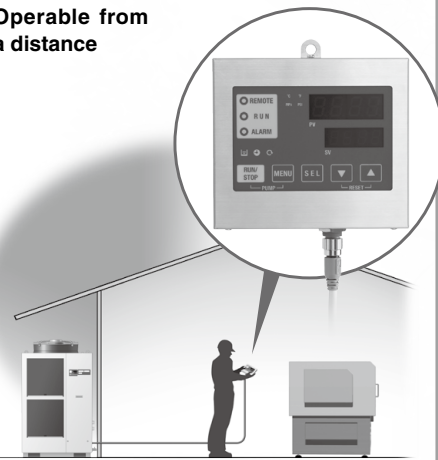
Transformers are unnecessary even when used overseas.



Wired remote controller

(Optional accessory on page 251)

Operable from a distance



Improved maintenance performance

Fluid fill port for the circulating fluid is available. (Option) p. 245

Fluid fill port is equipped in the upper part of the tank in addition to the automatic fluid fill port for a tap water piping connection.

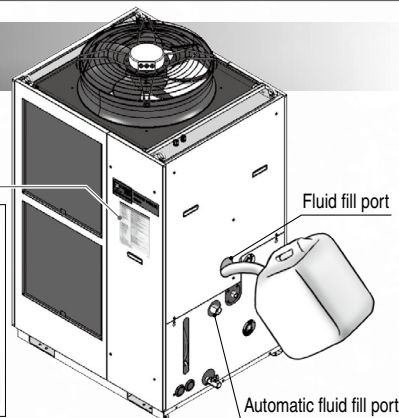
Front side access

All the electrical components can be checked from the front side for the easier maintenance work.

Alarm code list

Alarm code list stickers (English 1 pc./Japanese 1 pc.) are included. This can be put under the operation panel for reference.

(Alarm ▶ Page 242)

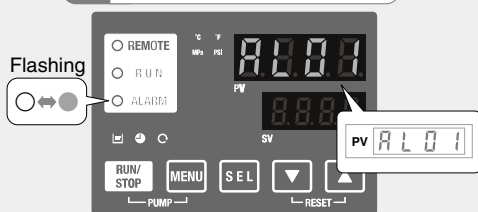


Operation display panel Easy maintenance with the check display

Alarm codes can be used for the notification of upcoming recommended maintenance.

The codes notify you when it's time to check the pump and fan motor. Helpful for facility maintenance

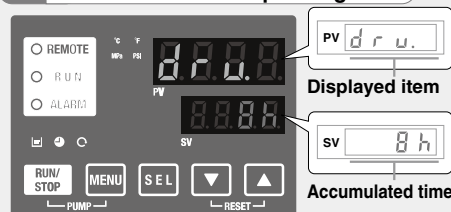
Ex. AL01 “Low level in tank”



Check display

The internal temperature, pressure, and operating time of the product are displayed.

Ex. drv. “Accumulated operating time”



Displayed item	
Temperature	Circulating fluid outlet temperature
	Circulating fluid return temperature
	Compressor gas temperature
Flow rate	Circulating fluid flow rate*1
	Circulating fluid outlet pressure
Pressure	Compressor gas discharge pressure
	Compressor gas return pressure
	Accumulated operating time
Operating time	Accumulated operating time of pump
	Accumulated operating time of fan*2
	Accumulated operating time of compressor
	Accumulated operation time of dustproof filter*2

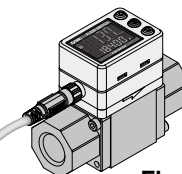
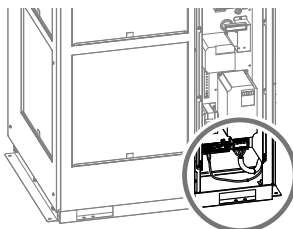
*1 This is not measurement value. Use it for reference. *2 These are displayed only for air-cooled refrigeration.

Convenient functions Details ▶ Page 242

Timer function, Anti-freezing function, Power failure auto-restart function, Warming-up function, Key-lock function, etc.

Power supply (24 VDC) available

Power can be supplied from the terminal block on the rear side to external switches, etc.



Flow switch

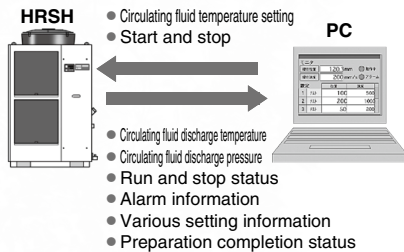
Refer to the Web Catalog for details.

Communication function

Serial communication (RS232C/RS485) and contact I/Os (2 inputs and 3 outputs) are equipped as standard. This allows for communication with the user's equipment and system construction, depending on the application. A 24 VDC output can be also provided and is available for use with flow switches (SMC's PF3W, etc.).

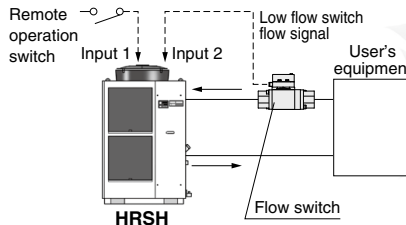
Ex.1 Remote signal I/O through serial communication

Remote operation is enabled (to start and stop operation) through serial communication.



Ex.2 Remote operation signal input

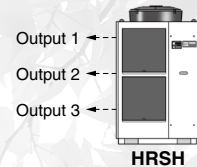
One of the contact inputs is used for remote operation and the other is used to monitor the flow of a flow switch. This is where their alarm outputs are taken in.



Power for flow switches (24 VDC) can be supplied by the thermo-chiller.

Ex.3 Alarm and operation status (start, stop, etc.) signal output

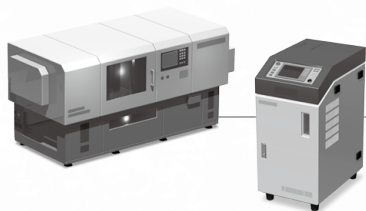
The alarm and status generated in the product are assigned to 3 output signals based on their contents, which can then be output.



• Output setting example

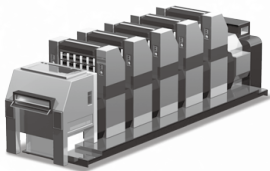
- Output 1: Temperature rise
- Output 2: Pressure rise
- Output 3: Operation status (start, stop, etc.)

Applications



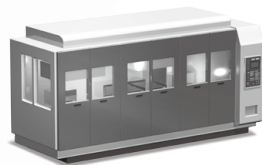
**Laser beam machine/
Laser welding machine**

Cooling of the laser oscillation part and power source



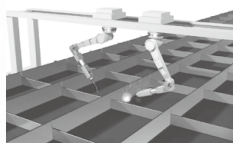
Printing machine

Temperature control of the roller



Cleaning machine

Temperature control of cleaning solution

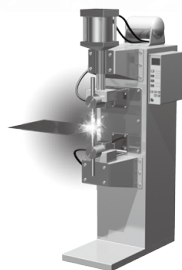


Arc welding machine

Cooling of the power source

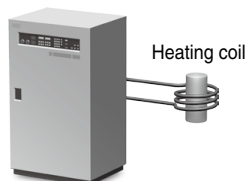


High frequency inverter



**Resistance welding machine
(Spot welding)**

Cooling of the welding head electrodes, transformers and transistors (thyristors)



High-frequency induction heating equipment

Cooling of the heating coils, high-frequency power source and around inverters

Makes cooling water easily available, anytime, anywhere.

When...

There is no cooling tower.
Tap water is being used.



Even without a cooling tower, an air-cooled refrigerated chiller can be used to easily supply cooling water.

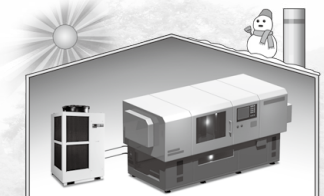


When...

There is a cooling tower, but high temperatures in summer or low (freezing) temperatures in winter make cooling water temperatures unstable.



Cooling water at a consistent temperature can be supplied regardless of the season.



Global Supply Network







SMC has a comprehensive network in the global market.

We now have a presence of more than 560 branch offices and distributors in 83 countries and regions worldwide, such as Asia, Oceania, North/Central/South America, and Europe. With this global network, we are able to provide a global supply of our substantial range of products and high-quality customer service. We also provide full support to local factories, foreign manufacturing companies, and Japanese companies in each country.

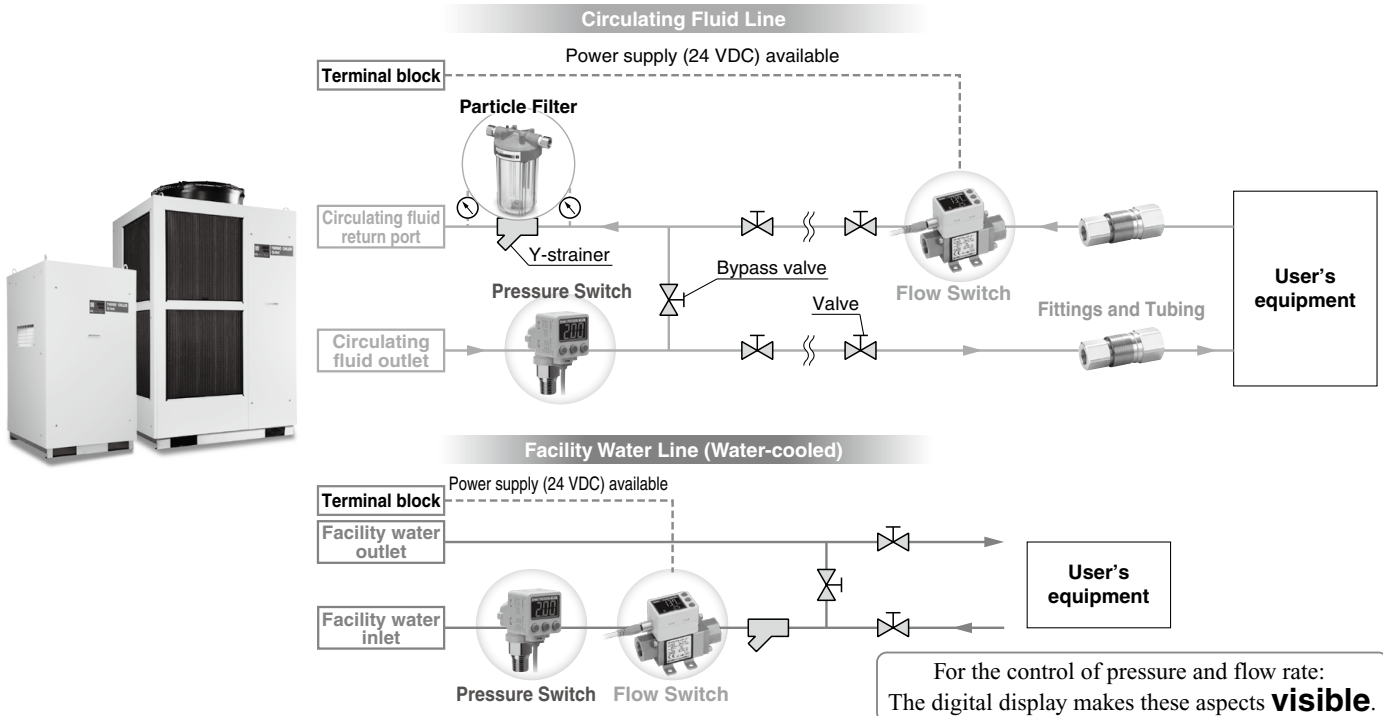


SMC Thermo-chiller Variations

Lots of variations are available according to the users' requirements.

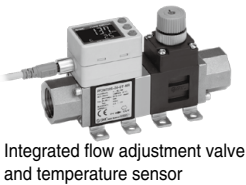
Series	Temperature stability [°C]	Set temperature range [°C]	Cooling capacity [kW]													Environment	International standards	
			1.2	1.8	2.4	3	5	6	9	10	15	20	25	28				
 HRSE Basic type	±2.0	10 to 30	●	●	●												Indoor use	CE (Only 230 VAC type)
 HRS Standard type	±0.1	5 to 40	●	●	●	●	●	●									Indoor use	CE MET (Only 60 Hz)
 HRS090 Standard type	±0.5	5 to 35							●								Indoor use	CE (400 V as standard)
 HRS100/150 Standard type	±1.0	5 to 35								●	●						Outdoor installation IPX4	CE (400 V as standard)
 HRSH090 Inverter type	±0.1	5 to 40							●								Indoor use	CE (400 V as standard, 200 V as an option) MET (Only 200 V as an option)
 HRSH Inverter type	±0.1	5 to 35								●	●	●	●	●			Outdoor installation IPX4	CE (400 V as standard, 200 V as an option) MET (Only 200 V as an option. See page 246.)

Circulating Fluid/Facility Water Line Equipment

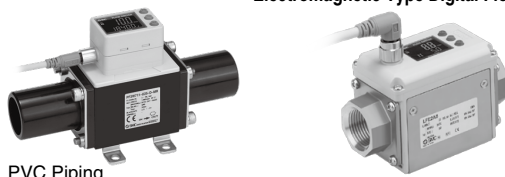


Flow Switch: Monitors the flow rate and temperature of the circulating fluid and facility water. Refer to the Web Catalog for details.

3-Color Display Digital Flow Switch for Water PF3W



3-Color Display Electromagnetic Type Digital Flow Switch LFE



Digital Flow Switch for Deionized Water and Chemical Liquids PF2D
4-Channel Flow Monitor PF2□200



Pressure Switch: Monitors the pressure of the circulating fluid and facility water. Refer to the Web Catalog for details.



Particle Filter



Fittings and Tubing

Refer to the Web Catalog for details.

S Coupler KK



S Coupler/Stainless Steel (Stainless Steel 304) KKA



Metal One-touch Fittings KQB2



Stainless Steel 316 One-touch Fittings KQG2



Stainless Steel 316 Insert Fittings KFG2



Fluoropolymer Fittings LQ



Tubing T□



Series	Material
T	Nylon
TU	Polyurethane
TH	FEP (Fluoropolymer)
TD	Modified PTFE (Soft fluoropolymer)
TL	Super PFA
TLM	PFA

HRS
 HRS-R
 HRS090
 HRS 100/150
 HRS200
 HRSH090
 HRSH
 HRSE
 HRR
 HRL
 HRZ
 HRZD
 HRW
 HECR
 HEC
 HEB
 HED
 Technical Data

CONTENTS

HRSH Series **Inverter Type**



Thermo-chiller HRSH Series

How to Order/Specifications

Air-cooled 200 V	Page 233
Water-cooled 200 V	Page 234
Air-cooled 400 V	Page 235
Water-cooled 400 V	Page 236
Cooling Capacity	Page 237
Pump Capacity	Page 238
Dimensions	Page 239
Recommended External Piping Flow	Page 241
Cable Specifications	Page 241
Operation Display Panel	Page 242
List of Function	Page 242
Alarm	Page 242
Communication Functions	Page 243

● Options

With Caster Adjuster-foot	Page 244
With Earth Leakage Breaker	Page 244
With Earth Leakage Breaker with Handle	Page 245
With Fluid Fill Port	Page 245
Compliant with CE/UL Standards	Page 246
SI Unit Only	Page 246

● Optional Accessories

① Piping Conversion Fitting	Page 247
② Caster Adjuster-foot Kit	Page 247
③ Electric Conductivity Control Set	Page 248
④ Bypass Piping Set	Page 248
⑤ Snow Protection Hood	Page 249
⑥ Particle Filter Set	Page 250
⑦ Wired Remote Controller	Page 251

● Cooling Capacity Calculation

Required Cooling Capacity Calculation	Page 252
Precautions on Cooling Capacity Calculation	Page 253
Circulating Fluid Typical Physical Property Values	Page 253

Specific Product Precautions	Page 254
------------------------------------	----------

HRSH

HRSH-R

HRSH090

HRSH
100/150

HRSH200

HRSH090

HRSH

HRSE

HRR

HRL

HRZ

HRZD

HRW

HECR

HEC

HEB

HED

Technical
Data

Thermo-chiller Inverter Type

Air-cooled 200 V Type

HRSH Series



How to Order

HRSH **250** - **A** - **20** -

Cooling method

A Air-cooled refrigeration

Pipe thread type

Nil	Rc
F	G (with Rc-G conversion fitting)
N	NPT (with Rc-NPT conversion fitting)

Option

Nil	None	K *1	With fluid fill port
A	With caster adjuster-foot	M	Applicable to DI water piping
B	With earth leakage breaker	S *2	Compliant with CE/UL Standards
B1	With earth leakage breaker with handle	W	SI unit only

Cooling capacity

100	10.5 kW
150	15.7 kW
200	20.5 kW
250	25 kW
300	28 kW

Power supply

20	3-phase 200 VAC (50 Hz) 3-phase 200 to 230 VAC (60 Hz)
-----------	---

*When multiple options are combined, indicate symbols in alphabetical order.

*1 This is a manual fluid fill port that is different from the automatic fluid fill port. Fluid can be supplied manually into the tank without removing the side panel.

(Fluid can be supplied manually for models without option K if the side panel is removed.)

*2 Combination with option B or option B1 is not necessary. The earth leakage breaker with a handle (-B1) is provided as standard.

Specifications

Model		HRSH100-A□-20-□	HRSH150-A□-20-□	HRSH200-A□-20-□	HRSH250-A□-20-□	HRSH300-A□-20-□	
Cooling method		Air-cooled refrigeration					
Refrigerant		R410A (HFC)					
Refrigerant charge		kg	1.27	2.1	2.1	2.8	
Control method		PID control					
Ambient temperature/Altitude*1,9		°C					
		Temperature: -20 to 45, Altitude: less than 3000 m					
Circulating fluid*1,2		Tap water, 15 to 40% Ethylene glycol aqueous solution, Deionized water					
Set temperature range*1		°C					
		5 to 35					
Cooling capacity*3,9		kW					
		10.5	15.7	20.5	25	28	
Heating capacity*4		kW					
		2.5	3	5.5	7.5	7.5	
Temperature stability*5		°C					
		±0.1					
Circulating fluid system	Pump capacity	Rated flow (Outlet)	L/min		45 (0.43 MPa)		
		Maximum flow rate	L/min		120		
		Maximum pump head	m		50		
	Settable pressure range*6	MPa		0.1 to 0.5		125 (0.5 MPa)	
	Minimum operating flow rate*7	L/min		20		40	
	Tank capacity	L		25		42	
	Circulating fluid outlet, circulating fluid return port		Rc1 (Symbol F: G1, Symbol N: NPT1)				
	Tank drain port		Rc3/4 (Symbol F: G3/4, Symbol N: NPT3/4)				
	Automatic fluid fill system (Standard)	Supply side pressure range	MPa				
		Supply side fluid temperature	°C				
		0.2 to 0.5					
Automatic fluid fill port		Rc1/2 (Symbol F: G1/2, Symbol N: NPT1/2)					
Overflow port		Rc1 (Symbol F: G1, Symbol N: NPT1)					
Fluid contact material		Metal		Stainless steel, Copper (Heat exchanger brazing), Brass, Bronze			
		Resin		PTFE, PU, FKM, EPDM, PVC, NBR, POM, PE, NR			
Electrical system	Power supply		3-phase 200 VAC (50 Hz), 3-phase 200 to 230 VAC (60 Hz)				
			Allowable voltage range ±10% (No continuous voltage fluctuation)				
	Applicable earth leakage breaker	Rated current	A		30		
		Sensitivity of leak current	mA		40		
Rated operating current*5		A		30			
Rated power consumption*5		kW (kVA)		14			
				4.5 (4.9)			
Noise level (Front 1 m/Height 1 m)*5		dB (A)		17			
				25			
				34			
				36			
				10.4 (11.6)			
				11.1 (12.2)			
Waterproof specification		IPX4					
Accessories		Alram code list stickers 2 pcs. (English 1 pc./Japanese 1 pc.), Operation Manual (for installation/operation) 2 pcs. (English 1 pc./Japanese 1 pc.), Y-strainer (40 meshes) 25A, Barrel nipple 25A, Anchor bolt fixing brackets 2 pcs. (including 6 M8 bolts)*10					
Weight (dry state)		kg		Approx. 180			
				Approx. 215			
				Approx. 280			

*1 When the ambient temperature or circulating fluid temperature is 10°C or below, refer to "Operation at low ambient temperature or low circulating fluid temperature" (page 255).

*2 Use fluid in condition below as the circulating fluid.

Tap water: Standard of The Japan Refrigeration And Air Conditioning Industry Association (JRA GL-02-1994)

15 to 40% ethylene glycol aqueous solution: Diluted with clean water, without any additives such as antiseptics. (Refer to "Operation at low ambient temperature or low circulating fluid temperature" (page 255) for the concentration of the ethylene glycol aqueous solution.)

Deionized water: Electric conductivity 1 μS/cm or higher (Electric resistivity 1 MΩ·cm or lower)

*3 ① Ambient temperature: 32°C, ② Circulating fluid: Tap water, ③ Circulating fluid temperature: 20°C, ④ Circulating fluid flow rate: Rated flow, ⑤ Power supply: 200 VAC

*4 ① Ambient temperature: 32°C, ② Circulating fluid: Tap water, ③ Circulating fluid flow rate: Rated flow, ④ Power supply: 200 VAC

*5 ① Ambient temperature: 32°C, ② Circulating fluid: Tap water, ③ Circulating fluid temperature: 20°C, ④ Load: Same as the cooling capacity, ⑤ Circulating fluid flow rate: Rated flow, ⑥ Power supply: 200 VAC, ⑦ Piping length: Shortest

*6 With the pressure control mode by inverter. When the pressure control mode is not used, the pump power frequency set mode can be used.

*7 Fluid flow rate to maintain the cooling capacity and the temperature stability. If the actual flow rate is lower than this, install a bypass piping.

*8 To be prepared by the user. A specified earth leakage breaker is installed for option B [With earth leakage breaker], B1 [With earth leakage breaker with handle] and S [Compliant with CE/UL Standards].

*9 If the product is used at an altitude of 1000 m or higher, refer to "Operating Environment/Storage Environment" (page 254) Item 13 "For altitudes of 1000 m or higher."

*10 The anchor bolt fixing brackets (including 6 M8 bolts) are used for fixing to wooden skids when packaging the thermo-chiller. No anchor bolt is included.

Thermo-chiller Inverter Type

Water-cooled 200 V Type

HRSH Series



How to Order

HRSH 250 - W - 20 -

Cooling capacity

100	11.5 kW	200	20.6 kW
150	15.7 kW	250	24 kW

Cooling method

W	Water-cooled refrigeration
---	----------------------------

Option

Nil	None	M	Applicable to DI water piping
A	With caster adjuster-foot	S*2	Compliant with CE/UL Standards
B	With earth leakage breaker	T	High-pressure pump mounted
B1	With earth leakage breaker with handle	W	SI unit only
K*1	With fluid fill port		

Models Compatible with Option S

Model	UL	CE
HRSH100	●	●
HRSH150	●	●
HRSH200	●	●
HRSH250	●	●

Pipe thread type

Nil	Rc
F	G (with Rc-G conversion fitting)
N	NPT (with Rc-NPT conversion fitting)

Power supply

20	3-phase 200 VAC (50 Hz) 3-phase 200 to 230 VAC (60 Hz)
----	---

- When multiple options are combined, indicate symbols in alphabetical order.
- *1 This is a manual fluid fill port that is different from the automatic fluid fill port. Fluid can be supplied manually into the tank without removing the side panel. (Fluid can be supplied manually for models without option K if the side panel is removed.)
- *2 Combination with option B or option B1 is not necessary. The earth leakage breaker with a handle (-B1) is provided as standard.

Specifications

Model	HRSH100-W□-20-□	HRSH150-W□-20-□	HRSH200-W□-20-□	HRSH250-W□-20-□	
Cooling method	Water-cooled refrigeration				
Refrigerant	R410A (HFC)				
Refrigerant charge kg	1.45	1.95	1.95	1.95	
Control method	PID control				
Ambient temperature/Altitude*1,9 °C	Temperature: 2 to 45, Altitude: less than 3000 m				
Circulating fluid system	Circulating fluid*2				
	Tap water, 15% Ethylene glycol aqueous solution, Deionized water				
	Set temperature range*1 °C	5 to 35			
	Cooling capacity*3,9 kW	11.5	15.7	20.6	24
	Heating capacity*4 kW	2.5	3.5	4.0	7.2
	Temperature stability*5 °C	±0.1			
	Pump capacity	Rated flow (Outlet) L/min	45 (0.43 MPa)		
		Maximum flow rate L/min	120	130	
		Maximum pump head m	50		
	Settable pressure range*6 MPa	0.1 to 0.5			
	Minimum operating flow rate*7 L/min	25			
	Tank capacity L	25	42		
Circulating fluid outlet, circulating fluid return port					
Rc1 (Symbol F: G1, Symbol N: NPT1)					
Tank drain port					
Rc3/4 (Symbol F: G3/4, Symbol N: NPT3/4)					
Automatic fluid fill system (Standard)	Supply side pressure range MPa	0.2 to 0.5			
	Supply side fluid temperature °C	5 to 35			
Automatic fluid fill port (Standard)	Rc1/2 (Symbol F: G1/2, Symbol N: NPT1/2)				
	Overflow port	Rc1 (Symbol F: G1, Symbol N: NPT1)			
Fluid contact material	Metal	Stainless steel, Copper (Heat exchanger brazing), Bronze, Brass			
	Resin	PTFE, PU, FKM, EPDM, PVC, NBR, POM, PE, NR			
Facility water system	Supply side pressure range MPa	0.3 to 0.5			
	Supply side temperature range °C	5 to 40			
	Required flow L/min	25	30	50	55
	Facility water pressure differential MPa	0.3 or more			
	Facility water inlet/outlet				
Rc1 (Symbol F: G1, Symbol N: NPT1)					
Fluid contact material	Metal	Stainless steel, Copper (Heat exchanger brazing), Bronze, Brass			
	Resin	PTFE, EPDM, NBR			
Electrical system	Power supply 3-phase 200 VAC (50 Hz), 3-phase 200 to 230 VAC (60 Hz), Allowable voltage range ±10% (No continuous voltage fluctuation)				
	Applicable earth leakage breaker	Rated current A	30	40	50
		Sensitivity of leak current mA	30		
	Rated operating current*5 A	14	17	21	25
Rated power consumption*5 kW (kVA)	4.2 (4.7)	5.3 (5.8)	6.6 (7.0)	8.0 (8.4)	
Noise level (Front 1 m/Height 1 m)*5 dB (A)	61	60		61	
Waterproof specification	IPX4				
Accessories	Alarm code list stickers 2 pcs. (English 1 pc./Japanese 1 pc.), Operation Manual (for installation/operation) 2 pcs. (English 1 pc./Japanese 1 pc.), Y-strainer (40 meshes) 25A, Barrel nipple 25A, Anchor bolt fixing brackets 2 pcs. (including 6 M8 bolts)*10				
Weight (dry state) kg	Approx. 150		Approx. 180		

*1 Use a 15% ethylene glycol aqueous solution if operating in a place where the ambient temperature and/or circulating fluid temperature is 10°C or less.
 *2 Use fluid in condition below as the circulating fluid.
 Tap water: Standard of The Japan Refrigeration And Air Conditioning Industry Association (JRA GL-02-1994)
 15% ethylene glycol aqueous solution: diluted by tap water in condition above without any additives such as antiseptics. Deionized water: Electric conductivity 1 μS/cm or higher (Electric resistivity 1 MΩ·cm or lower)
 *3 ① Facility water temperature: 32°C, ② Circulating fluid: Tap water, ③ Circulating fluid temperature: 20°C, ④ Circulating fluid flow rate: Rated flow, ⑤ Power supply: 200 VAC
 *4 ① Facility water temperature: 32°C, ② Circulating fluid: Tap water, ③ Circulating fluid flow rate: Rated flow, ④ Power supply: 200 VAC
 *5 ① Facility water temperature: 32°C, ② Circulating fluid: Tap water, ③ Circulating fluid temperature: 20°C, ④ Load: Same as the cooling capacity, ⑤ Circulating fluid flow rate: Rated flow, ⑥ Power supply: 200 VAC, ⑦ Piping length: Shortest
 *6 With the pressure control mode by inverter. When the pressure control mode is not used, the pump power frequency set mode can be used.
 *7 Fluid flow rate to maintain the cooling capacity and the temperature stability. If the actual flow rate is lower than this, install a bypass piping.
 *8 To be prepared by the user. A specified earth leakage breaker is installed for option B [With earth leakage breaker], B1 [With earth leakage breaker with handle] and S [Compliant with CE/UL Standards].
 *9 If the product is used at an altitude of 1000 m or higher, refer to "Operating Environment/Storage Environment" (page 254) Item 13 "For altitudes of 1000 m or higher."
 *10 The anchor bolt fixing brackets (including 6 M8 bolts) are used for fixing to wooden skids when packaging the thermo-chiller. No anchor bolt is included.

HRS
HRS-R
HRS090
HRS 100/150
HRS200
HRS090
HRSH
HRSE
HRR
HRL
HRZ
HRZD
HRW
HECR
HEC
HEB
HED
Technical Data

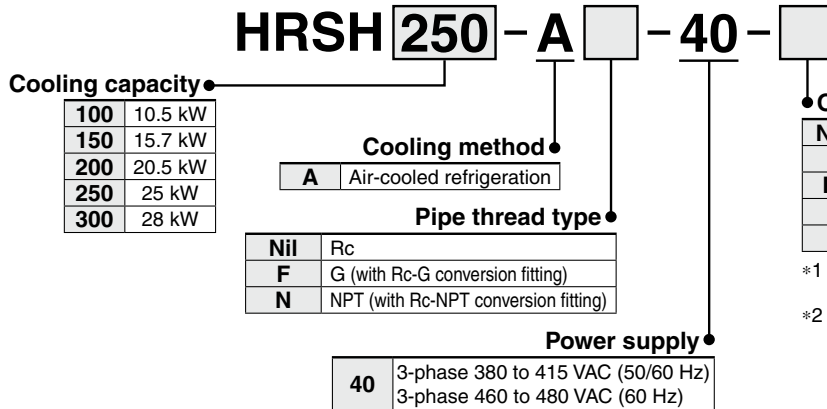
Thermo-chiller Inverter Type

Air-cooled 400 V Type

HRSH Series



How to Order



Option

Nil *1	None
A	With caster adjuster-foot
K *2	With fluid fill port
M	Applicable to DI water piping
W	SI unit only

- *1 400 V type is provided with an earth leakage breaker with handle (-B1) as standard.
- *2 This is a manual fluid fill port that is different from the automatic fluid fill port. Fluid can be supplied manually into the tank without removing the side panel. (Fluid can be supplied manually for models without option K if the side panel is removed.)

Specifications

Model	HRSH100-A□-40-□	HRSH150-A□-40-□	HRSH200-A□-40-□	HRSH250-A□-40-□	HRSH300-A□-40-□	
Cooling method	Air-cooled refrigeration					
Refrigerant	R410A (HFC)					
Refrigerant charge kg	1.27	2.1	2.1	2.8	2.8	
Control method	PID control					
Ambient temperature/Altitude *1, 8 °C	Temperature: -20 to 45, Altitude: less than 3000 m					
Circulating fluid system	Circulating fluid *1, 2	Tap water, 15 to 40% Ethylene glycol aqueous solution, Deionized water				
	Set temperature range *1 °C	5 to 35				
	Cooling capacity *3, 8 kW	10.5	15.7	20.5	25	28
	Heating capacity *4 kW	2.5	3	5.5	7.5	
	Temperature stability *5 °C	±0.1				
	Pump capacity	Rated flow (Outlet) L/min	45 (0.43 MPa)	45 (0.45 MPa)		125 (0.5 MPa)
		Maximum flow rate L/min	120	130	180	
		Maximum pump head m	50		80	
	Settable pressure range *6 MPa	0.1 to 0.5		0.1 to 0.8		
	Minimum operating flow rate *7 L/min	20	25		40	
Tank capacity L	25	42		60		
Circulating fluid outlet, circulating fluid return port	Rc1 (Symbol F: G1, Symbol N: NPT1)					
Tank drain port	Rc3/4 (Symbol F: G3/4, Symbol N: NPT3/4)					
Automatic fluid fill system (Standard)	Supply side pressure range MPa	0.2 to 0.5				
	Supply side fluid temperature °C	5 to 35				
	Automatic fluid fill port	Rc1/2 (Symbol F: G1/2, Symbol N: NPT1/2)				
Overflow port	Rc1 (Symbol F: G1, Symbol N: NPT1)					
Fluid contact material	Metal	Stainless steel, Copper (Heat exchanger brazing), Brass, Bronze				
	Resin	PTFE, PU, FKM, EPDM, PVC, NBR, POM, PE, NR				
Electrical system	Power supply	3-phase 380 to 415 VAC (50/60 Hz) Allowable voltage range ±10% (No continuous voltage fluctuation) 3-phase 460 to 480 VAC (60 Hz) Allowable voltage range +4%, -10% (Max. voltage less than 500 V and no continuous voltage fluctuation)				
	Earth leakage breaker (Standard)	20	30			
	Sensitivity of leak current mA	30				
	Rated operating current *5 A	7.4	9.3	12.8	16	18
	Rated power consumption *5 kW (kVA)	4.6 (5.1)	5.8 (6.4)	8.2 (8.9)	10.1 (11.1)	10.8 (12.3)
Noise level (Front 1 m/Height 1 m) *5 dB (A)	68				71	
Waterproof specification	IPX4					
Accessories	Alarm code list stickers 2 pcs. (English 1 pc./Japanese 1 pc.), Operation Manual (for installation/operation) 2 pcs. (English 1 pc./Japanese 1 pc.), Y-strainer (40 meshes) 25A, Barrel nipple 25A, Anchor bolt fixing brackets 2 pcs. (including 6 M8 bolts)*9					
Weight (dry state) kg	Approx. 180	Approx. 215		Approx. 280		
CE marking	EMC Directive	2004/108/EC				
	Machinery Directive	2006/42/EC				

*1 When the ambient temperature or circulating fluid temperature is 10°C or below, refer to "Operation at low ambient temperature or low circulating fluid temperature" (page 255).
 *2 Use fluid in condition below as the circulating fluid.
 Tap water: Standard of The Japan Refrigeration And Air Conditioning Industry Association (JRA GL-02-1994)
 15 to 40% ethylene glycol aqueous solution: Diluted with clean water, without any additives such as antiseptics. (Refer to "Operation at low ambient temperature or low circulating fluid temperature" (page 255) for the concentration of the ethylene glycol aqueous solution.)
 Deionized water: Electric conductivity 1 μS/cm or higher (Electric resistivity 1 MΩ·cm or lower)
 *3 ① Ambient temperature: 32°C, ② Circulating fluid: Tap water, ③ Circulating fluid temperature: 20°C, ④ Circulating fluid flow rate: Rated flow, ⑤ Power supply: 400 VAC
 *4 ① Ambient temperature: 32°C, ② Circulating fluid: Tap water, ③ Circulating fluid flow rate: Rated flow, ④ Power supply: 400 VAC
 *5 ① Ambient temperature: 32°C, ② Circulating fluid: Tap water, ③ Circulating fluid temperature: 20°C, ④ Load: Same as the cooling capacity, ⑤ Circulating fluid flow rate: Rated flow, ⑥ Power supply: 400 VAC, ⑦ Piping length: Shortest
 *6 With the pressure control mode by inverter. When the pressure control mode is not used, the pump power frequency set mode can be used.
 *7 Fluid flow rate to maintain the cooling capacity and the temperature stability. If the actual flow rate is lower than this, install a bypass piping.
 *8 If the product is used at an altitude of 1000 m or higher, refer to "Operating Environment/Storage Environment" (page 254) Item 13 "For altitudes of 1000 m or higher."
 *9 The anchor bolt fixing brackets (including 6 M8 bolts) are used for fixing to wooden skids when packaging the thermo-chiller. No anchor bolt is included.

Thermo-chiller Inverter Type

Water-cooled 400 V Type

HRSH Series



How to Order

HRSH 250 - W - 40 -

Cooling capacity

100	11.5 kW
150	15.7 kW
200	20.6 kW
250	24 kW

Cooling method

W	Water-cooled refrigeration
---	----------------------------

Pipe thread type

Nil	Rc
F	G (with Rc-G conversion fitting)
N	NPT (with Rc-NPT conversion fitting)

Power supply

40	3-phase 380 to 415 VAC (50/60 Hz) 3-phase 460 to 480 VAC (60 Hz)
----	---

Option

Nil*1	None	M	Applicable to DI water piping
A	With caster adjuster-foot	T	High-pressure pump mounted
K*2	With fluid fill port	W	SI unit only

*1 400 V type is provided with an earth leakage breaker with handle (-B1) as standard.
*2 This is a manual fluid fill port that is different from the automatic fluid fill port. Fluid can be supplied manually into the tank without removing the side panel. (Fluid can be supplied manually for models without option K if the side panel is removed.)

Specifications

Model	HRSH100-W□-40-□	HRSH150-W□-40-□	HRSH200-W□-40-□	HRSH250-W□-40-□		
Cooling method	Water-cooled refrigeration					
Refrigerant	R410A (HFC)					
Refrigerant charge	kg	1.45	1.95	1.95		
Control method	PID control					
Ambient temperature/Altitude*1, 8	°C Temperature: 2 to 45, Altitude: less than 3000 m					
Circulating fluid system	Circulating fluid*2	Tap water, 15% Ethylene glycol aqueous solution, Deionized water				
	Set temperature range*1	°C 5 to 35				
	Cooling capacity*3, 8	kW	11.5	15.7	20.6	24
	Heating capacity*4	kW	2.5	3.5	4.0	7.2
	Temperature stability*5	°C ±0.1				
	Pump capacity	Rated flow (Outlet)	L/min	45 (0.43 MPa)		45 (0.45 MPa)
		Maximum flow rate	L/min	120		130
		Maximum pump head	m	50		
	Settable pressure range*6	MPa 0.1 to 0.5				
	Minimum operating flow rate*7	L/min	20		25	42
Tank capacity	L	25		42		
Circulating fluid outlet, circulating fluid return port	Rc1 (Symbol F: G1, Symbol N: NPT1)					
Tank drain port	Rc3/4 (Symbol F: G3/4, Symbol N: NPT3/4)					
Automatic fluid fill system (Standard)	Supply side pressure range	MPa 0.2 to 0.5				
	Supply side fluid temperature	°C 5 to 35				
	Automatic fluid fill port	Rc1/2 (Symbol F: G1/2, Symbol N: NPT1/2)				
Overflow port	Rc1 (Symbol F: G1, Symbol N: NPT1)					
Fluid contact material	Metal	Stainless steel, Copper (Heat exchanger brazing), Brass, Bronze				
	Resin	PTFE, PU, FKM, EPDM, PVC, NBR, POM, PE, NR				
Facility water system	Temperature range	°C 5 to 40				
	Pressure range	MPa 0.3 to 0.5				
	Required flow	L/min	25	30	50	55
	Facility water pressure differential	MPa 0.3 or more				
	Facility water inlet/outlet	Rc1 (Symbol F: G1, Symbol N: NPT1)				
Fluid contact material	Metal	Stainless steel, Copper (Heat exchanger brazing), Bronze, Brass				
	Resin	PTFE, NBR, EPDM				
Electrical system	Power supply	3-phase 380 to 415 VAC (50/60 Hz) Allowable voltage range ±10% (No continuous voltage fluctuation) 3-phase 460 to 480 VAC (60 Hz) Allowable voltage range +4%, -10% (Max. voltage less than 500 V and no continuous voltage fluctuation)				
	Applicable earth leakage breaker (Standard)	Rated current	A 20		30	
		Sensitivity of leak current	mA 30			
	Rated operating current*5	A	7.3	8.8	10.6	12.8
	Rated power consumption*5	kW (kVA)	4.4 (5.0)	5.3 (6.1)	6.6 (7.4)	8.2 (8.9)
Noise level (Front 1 m/Height 1 m)*5	dB (A)	61		60	61	
Waterproof specification	IPX4					
Accessories	Alarm code list stickers 2 pcs. (English 1 pc./Japanese 1 pc.), Operation Manual (for installation/operation) 2 pcs. (English 1 pc./Japanese 1 pc.), Y-strainer (40 meshes) 25A, Barrel nipple 25A, Anchor bolt fixing brackets 2 pcs. (including 6 M8 bolts)*9					
Weight (dry state)	kg	Approx. 150		Approx. 180		
Compliant standards	CE marking	2004/108/EC				
	EMC Directive Machinery Directive	2006/42/EC				

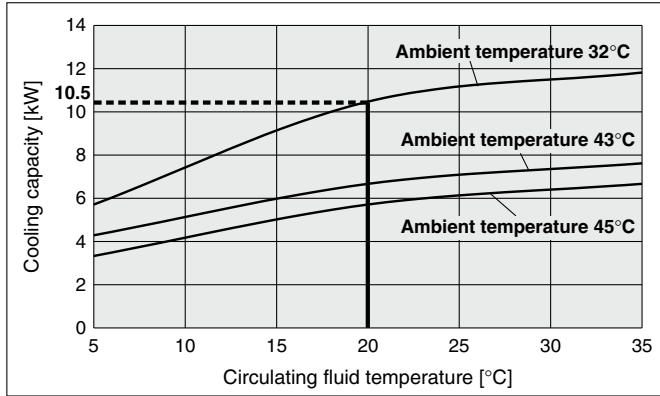
*1 Use a 15% ethylene glycol aqueous solution if operating in a place where the ambient temperature and/or circulating fluid temperature is 10°C or less.
*2 Use fluid in condition below as the circulating fluid.
Tap water: Standard of The Japan Refrigeration And Air Conditioning Industry Association (JRA GL-02-1994)
15% ethylene glycol aqueous solution: diluted by tap water in condition above without any additives such as antiseptics.
Deionized water: Electric conductivity 1 μS/cm or higher (Electric resistivity 1 MΩ·cm or lower)
*3 ① Facility water temperature: 32°C, ② Circulating fluid: Tap water, ③ Circulating fluid temperature: 20°C, ④ Circulating fluid flow rate: Rated flow, ⑤ Power supply: 400 VAC
*4 ① Facility water temperature: 32°C, ② Circulating fluid: Tap water, ③ Circulating fluid flow rate: Rated flow, ④ Power supply: 400 VAC
*5 ① Facility water temperature: 32°C, ② Circulating fluid: Tap water, ③ Circulating fluid temperature: 20°C, ④ Load: Same as the cooling capacity, ⑤ Circulating fluid flow rate: Rated flow, ⑥ Power supply: 400 VAC, ⑦ Piping length: Shortest
*6 With the pressure control mode by inverter. When the pressure control mode is not used, the pump power frequency set mode can be used.
*7 Fluid flow rate to maintain the cooling capacity and the temperature stability. If the actual flow rate is lower than this, install a bypass piping.
*8 If the product is used at an altitude of 1000 m or higher, refer to "Operating Environment/Storage Environment" (page 254) Item 13 "For altitudes of 1000 m or higher."
*9 The anchor bolt fixing brackets (including 6 M8 bolts) are used for fixing to wooden skids when packaging the thermo-chiller. No anchor bolt is included.

HRS
HRS-R
HRS090
HRS100/150
HRS200
HRS090
HRSH
HRSE
HRR
HRL
HRZ
HRZD
HRW
HECR
HEC
HEB
HED
Technical Data

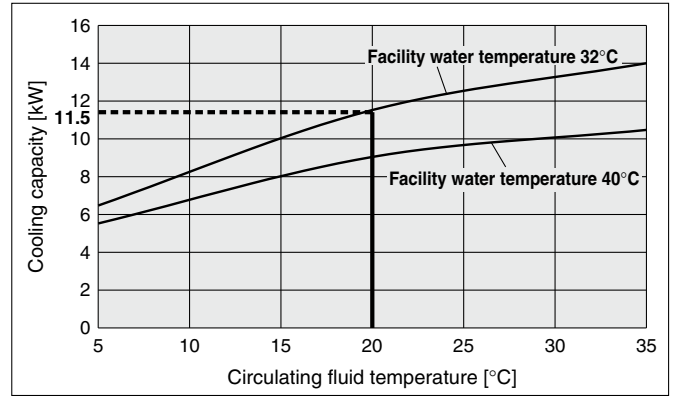
Cooling Capacity

* If the product is used at an altitude of 1000 m or higher, refer to "Operating Environment/ Storage Environment" (page 254) Item 13 "For altitudes of 1000 m or higher."

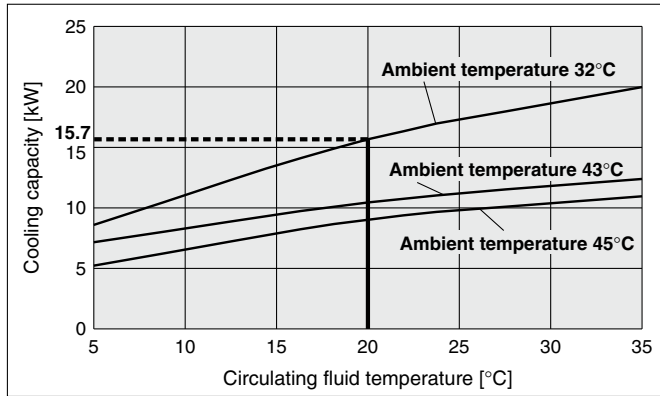
HRSH100-A□-20/40-□



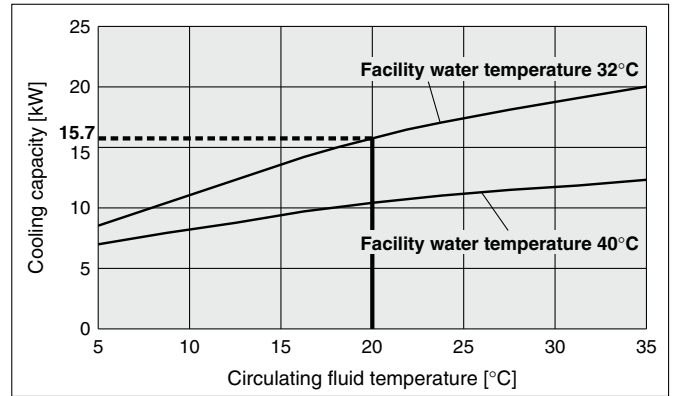
HRSH100-W□-20/40-□



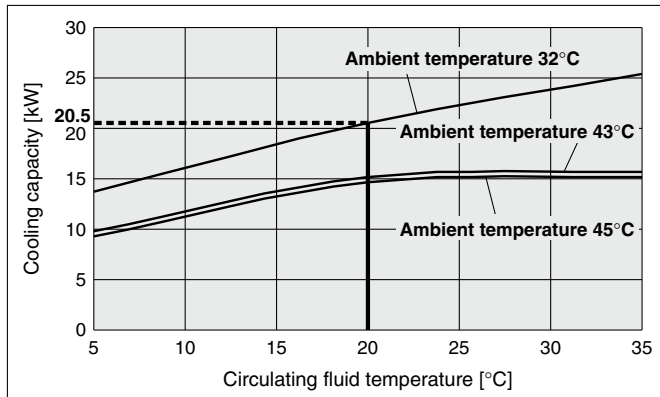
HRSH150-A□-20/40-□



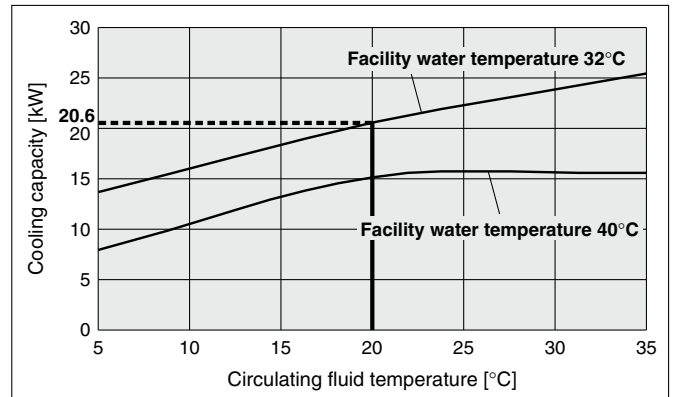
HRSH150-W□-20/40-□



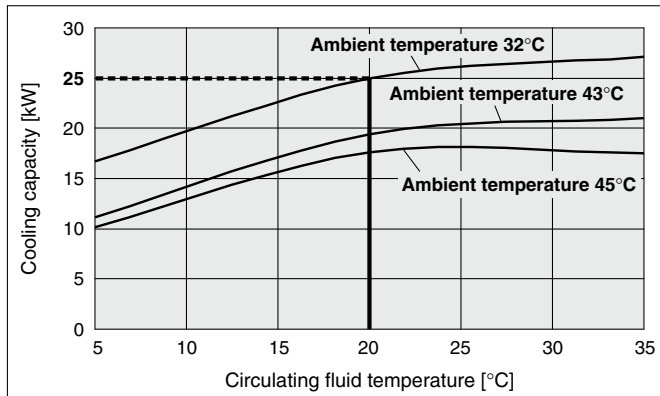
HRSH200-A□-20/40-□



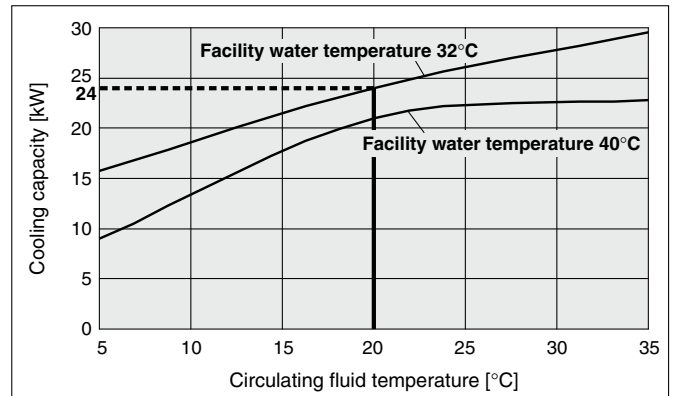
HRSH200-W□-20/40-□



HRSH250-A□-20/40-□



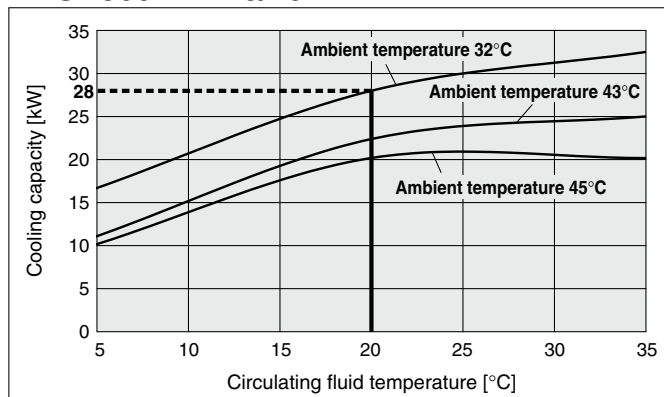
HRSH250-W□-20/40-□



Cooling Capacity

* If the product is used at an altitude of 1000 m or higher, refer to "Operating Environment/ Storage Environment" (page 254) Item 13 "For altitudes of 1000 m or higher."

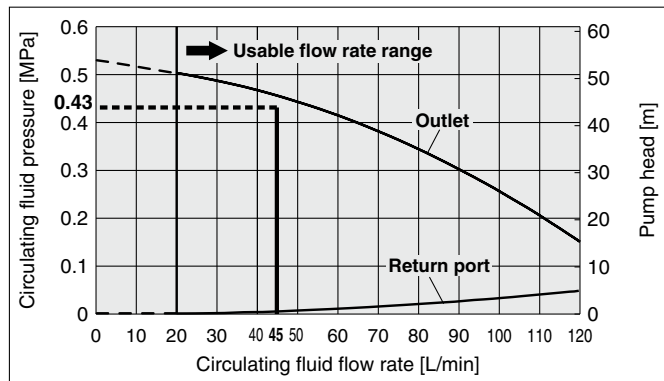
HRSH300-A□-20/40-□



Pump Capacity

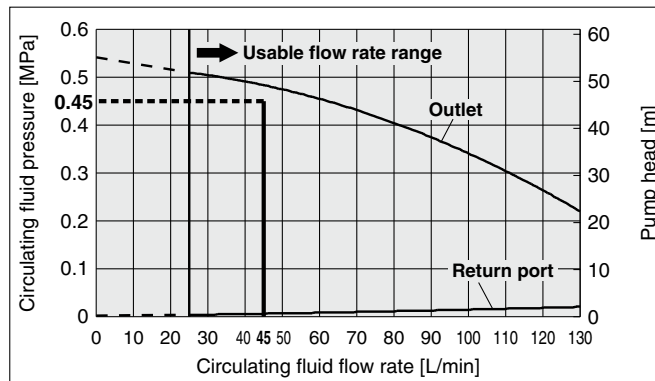
HRSH100-A□-20/40-□

HRSH100-W□-20/40-□

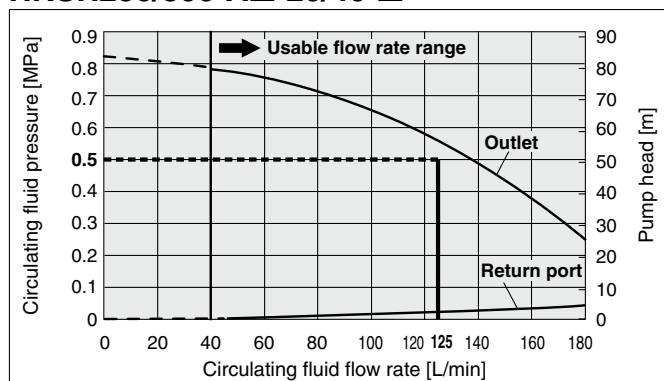


HRSH150/200-A□-20/40-□

HRSH150/200/250-W□-20/40-□



HRSH250/300-A□-20/40-□

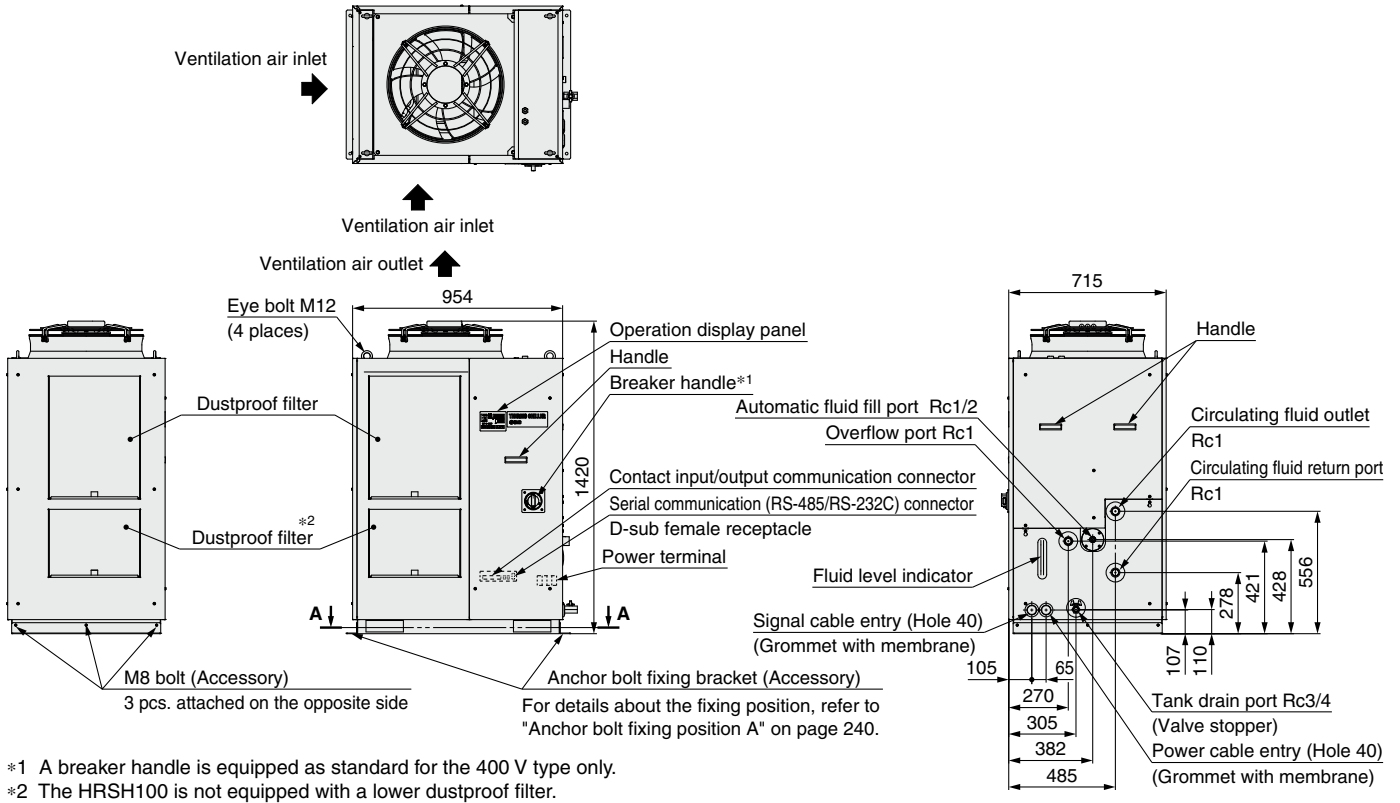


- HRSH
- HRSH-R
- HRSH090
- HRSH100/150
- HRSH200
- HRSH090
- HRSH
- HRSE
- HRR
- HRL
- HRZ
- HRZD
- HRW
- HECR
- HEC
- HEB
- HED
- Technical Data

Dimensions

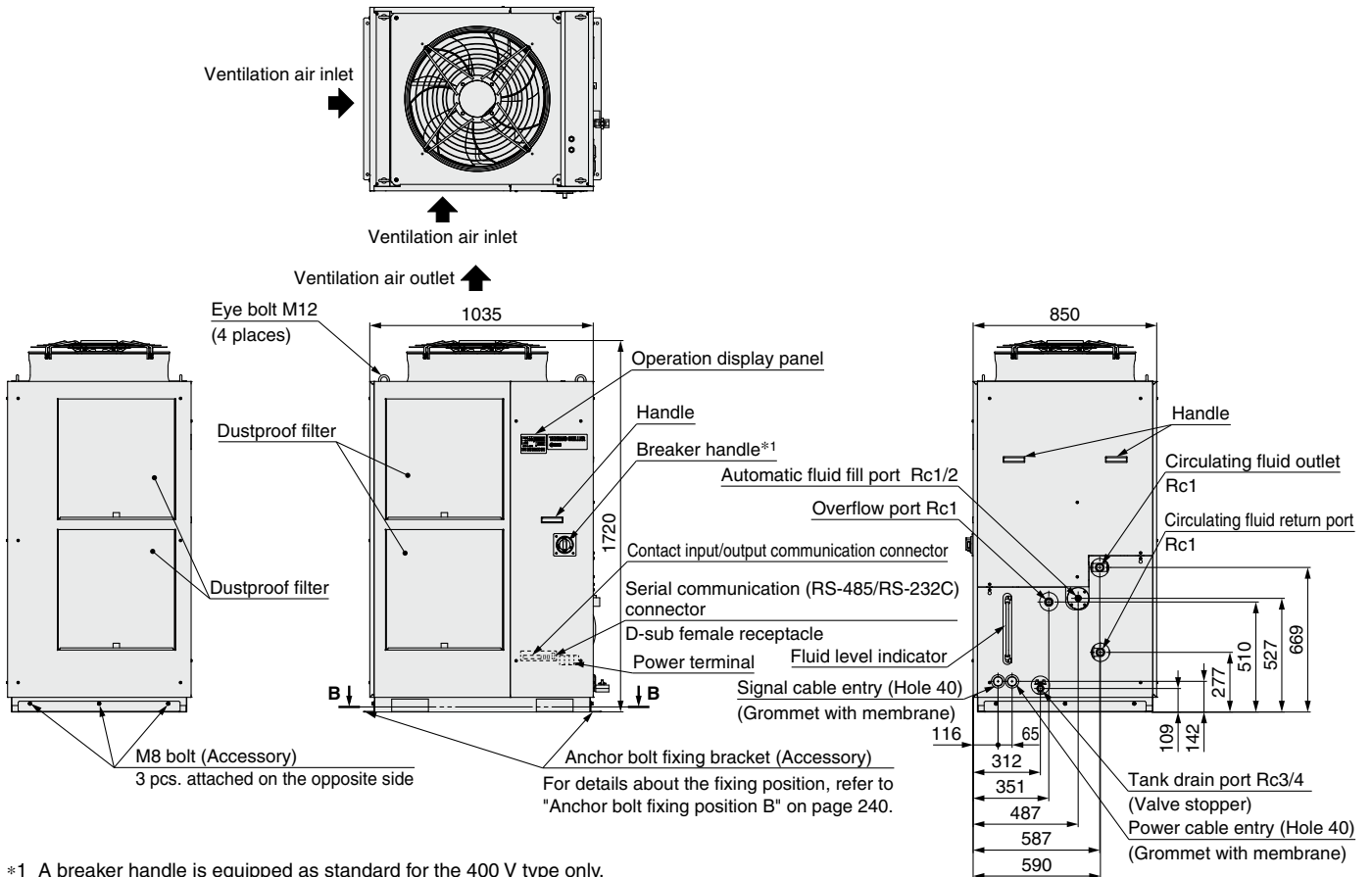
HRSH100/150/200-A-20 (Air-cooled 200 V type)

HRSH100/150/200-A-40 (Air-cooled 400 V type)



HRSH250/300-A-20 (Air-cooled 200 V type)

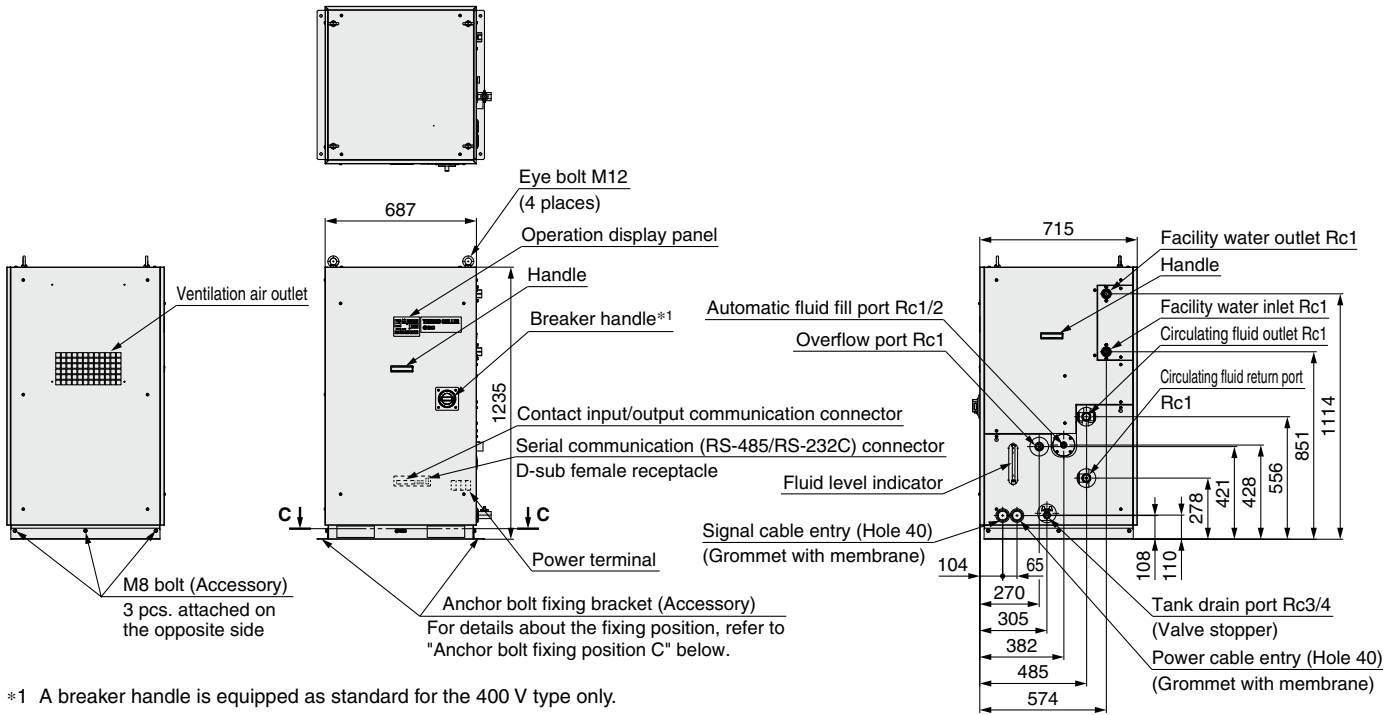
HRSH250/300-A-40 (Air-cooled 400 V type)



*1 A breaker handle is equipped as standard for the 400 V type only.

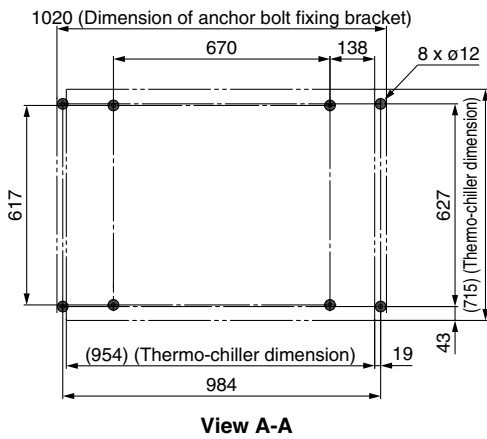
Dimensions

HRSH100/150/200/250-W-20 (Water-cooled 200 V type)
 HRSH100/150/200/250-W-40 (Water-cooled 400 V type)

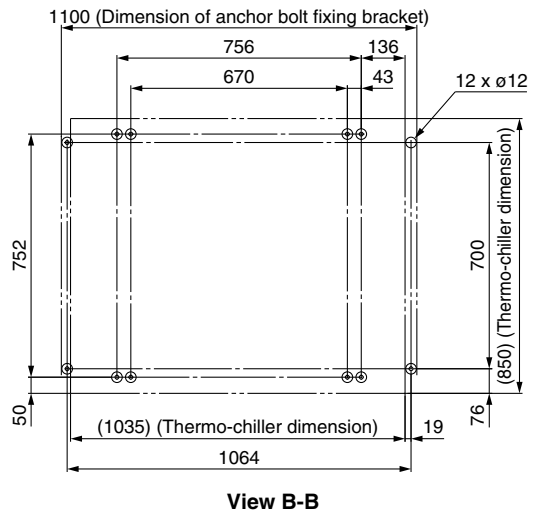


*1 A breaker handle is equipped as standard for the 400 V type only.

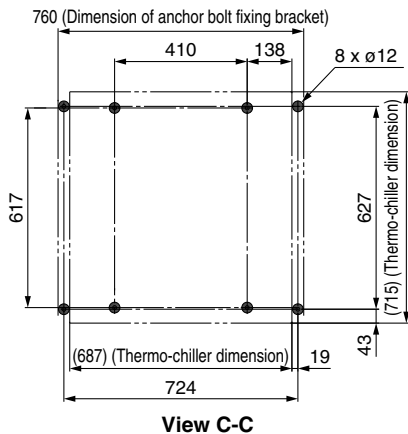
Anchor bolt fixing position A



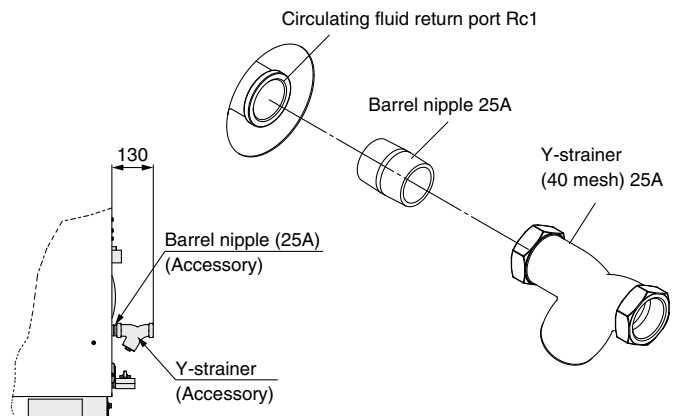
Anchor bolt fixing position B



Anchor bolt fixing position C



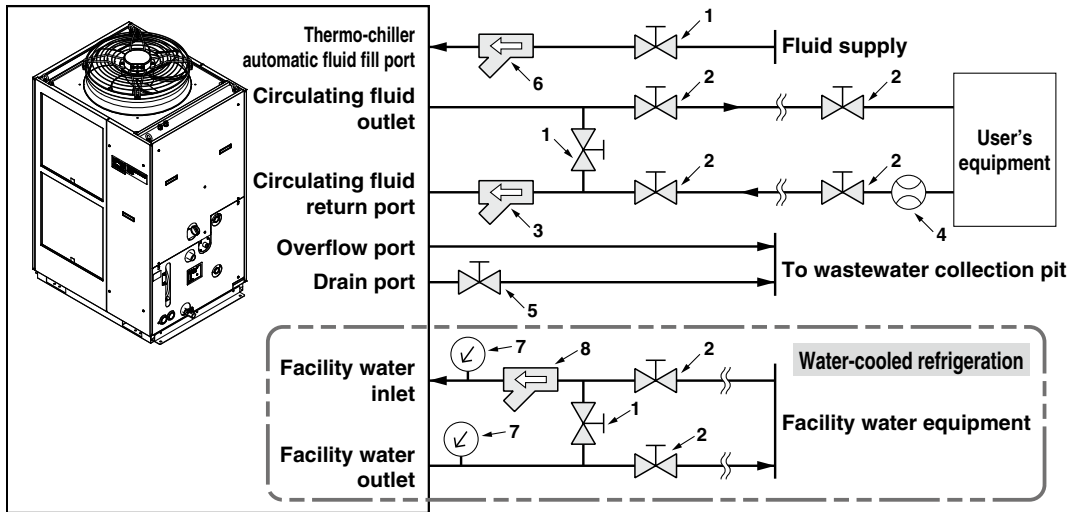
Accessory: Y-strainer mounting view



- HRS
- HRS-R
- HRS090
- HRS 100/150
- HRS200
- HRS090
- HRSH**
- HRSE
- HRR
- HRL
- HRZ
- HRZD
- HRW
- HECR
- HEC
- HEB
- HED
- Technical Data

Recommended External Piping Flow

External piping circuit is recommended as shown below.



* Ensure that the overflow port is connected to the wastewater collection pit in order to avoid damage to the tank of the thermo-chiller.

No.	Description	Size	Recommended part no.	Note
1	Valve	Rc1/2	—	—
2	Valve	Rc1	—	—
3	Y-strainer Filter	Rc1 #40 Rc1 20 μm	Accessory HRS-PF005*2	Install either the strainer or filter. If foreign matter with a size of 20 μm or more are likely to enter, install the particle filter. For the recommended filter, refer to the optional accessory HRS-PF005 (page 250).
4	Flow meter	—	—	Prepare a flow meter with an appropriate flow range.
5	Valve (Part of thermo-chiller)	Rc3/4	—	—
6	Y-strainer Filter	Rc1/2 #40 Rc1/2 20 μm	—	Install either the strainer or filter. If foreign matter with a size of 20 μm or more are likely to enter, select and prepare a particle filter.
7	Pressure gauge	0 to 1.0 MPa	—	—
8	Y-strainer Filter	Rc1 #40 Rc1 20 μm	HRS-S0212 Refer to the table below	Install either the strainer or filter. If foreign matter with a size of 20 μm or more are likely to enter, install the particle filter. For the recommended filter, refer to the table below (*1).

*1 Recommended filters for facility water inlet

Applicable model	Recommended filter
HRSH100/150	FQ1012N-10-T020-B-X61
HRSH200/250	FGESA-10-T020A-G2

*2 The filter shown above cannot be directly connected to the thermo-chiller. Install it in the user's piping system.

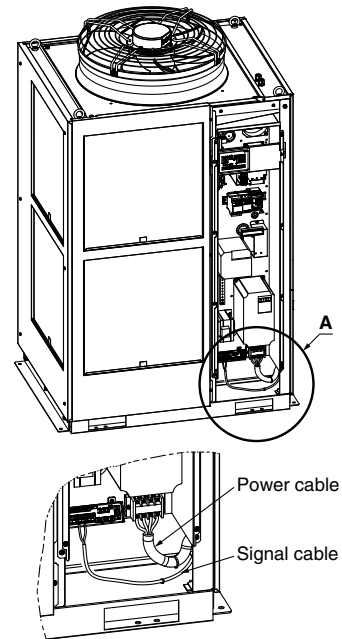
Cable Specifications

Power supply and signal cable should be prepared by user.

Power Cable Specifications

Applicable model	Rated value for thermo-chiller			Power cable examples		
	Power supply	Applicable breaker rated current	Terminal block thread size	Cable size	Crimped terminal on the thermo-chiller side	
HRSH100-□□-20 HRSH150-□□-20	3-phase 200 VAC (50 Hz) 3-phase 200 to 230 VAC (60 Hz)	30 A	M5	4 cores x 5.5 mm ² (4 cores x AWG10) (Including grounding cable)	R5.5-5	
HRSH100-W□-20-T HRSH150-W□-20-T HRSH200-□□-20 HRSH200-W□-20-T		40 A		4 cores x 8 mm ² (4 cores x AWG8) (Including grounding cable)	R8-5	
HRSH250-□□-20 HRSH250-W□-20-T HRSH300-A□-20		50 A		4 cores x 8 mm ² (4 cores x AWG8) (Including grounding cable)	R8-5	
HRSH100-□□-40 HRSH100-W□-40-T HRSH150-□□-40 HRSH150-W□-40-T HRSH200-□□-40 HRSH200-W□-40-T HRSH250-□□-40 HRSH250-W□-40-T HRSH300-A□-40		20 A		30 A	3 x 5.5 mm ² (3 x AWG10) (Power supply) 1 x 14 mm ² (1 x AWG6) (Grounding cable)	R5.5-5 (Power supply) R14-5 (Grounding cable)
		30 A				

* An example of the cable specifications is when two kinds of vinyl insulated wires with a continuous allowable operating temperature of 70°C at 600 V, are used at an ambient temperature of 30°C. Select the proper size of cable according to an actual condition.



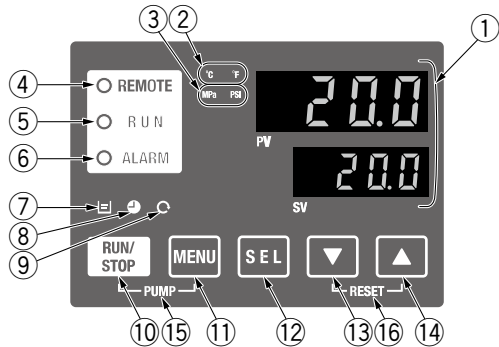
Partially enlarged view A

Signal Cable Specifications

Terminal specifications		Cable specifications
Terminal block screw diameter	Recommended crimped terminal	0.75 mm ² (AWG18) Shielded cable
M3	Y-shape crimped terminal 1.25Y-3	

Operation Display Panel

The basic operation of this unit is controlled through the operation display panel on the front of the product.



No.	Description	Function
①	Digital display (7-segment, 4 digits)	PV Displays the circulating fluid current discharge temperature and pressure and alarm codes and other menu items (codes). SV Displays the circulating fluid discharge temperature and the set values of other menus.
②	[°C] [°F] lamp	Equipped with a unit conversion function. Displays the unit of displayed temperature (default setting: °C).
③	[MPa] [PSI] lamp	Equipped with a unit conversion function. Displays the unit of displayed pressure (default setting: MPa).
④	[REMOTE] lamp	Enables remote operation (start and stop) by communication. Lights up during remote operation.
⑤	[RUN] lamp	Lights up when the product is started, and goes off when it is stopped. Flashes during stand-by for stop or anti-freezing function, or independent operation of the pump.
⑥	[ALARM] lamp	Flashes with buzzer when alarm occurs.
⑦	[L] lamp	Lights up when the surface of the fluid level indicator falls below the L level.
⑧	[⏰] lamp	Equipped with a timer for start and stop. Lights up when this function is operated.
⑨	[⏻] lamp	Equipped with a power failure auto-restart function, which restarts the product automatically after stopped due to a power failure. Lights up when this function is operated.
⑩	[RUN/STOP] key	Makes the product start or stop.
⑪	[MENU] key	Shifts the main menu (display screen of circulating fluid discharge temperature and pressure) and other menus (for monitoring and entry of set values).
⑫	[SEL] key	Changes the item in menu and enters the set value.
⑬	[▼] key	Decreases the set value.
⑭	[▲] key	Increases the set value.
⑮	[PUMP] key	Press the [MENU] and [RUN/STOP] keys simultaneously. The pump starts running independently to make the product ready for start-up (release the air).
⑯	[RESET] key	Press the [▼] and [▲] keys simultaneously. The alarm buzzer is stopped and the [ALARM] lamp is reset.

List of Function

No.	Function	Outline
1	Main display	Displays the current and set temperature of the circulating fluid, discharge pressure of the circulating fluid. Changes the circulating fluid set temperature.
2	Alarm display menu	Indicates alarm number when an alarm occurs.
3	Inspection monitor menu	Product temperature, pressure and accumulated operating time can be checked as daily inspection. Use these for daily inspection.
4	Key-lock	Keys can be locked so that set values cannot be changed by operator error.
5	Timer for operation start/stop	Timer is used to set the operation start/stop.
6	Signal for the completion of preparation	A signal is output when the circulating fluid temperature reaches the set temperature, when using contact input/output and serial communication.
7	Offset function	Use this function when there is a temperature offset between the discharge temperature of the thermo-chiller and user's equipment.
8	Reset after power failure	Start operation automatically after the power supply is turned on.
9	Key click sound setting	Operation panel key sound can be set on/off.
10	Changing temp. unit	Temperature unit can be changed. Centigrade (°C) ↔ Fahrenheit (°F)
11	Changing pressure unit	Pressure unit can be changed. MPa ↔ PSI
12	Data reset	Functions can be reset to the default settings (settings when shipped from the factory).
13	Accumulation time reset	Reset function when the pump, the fan or the compressor is replaced. Reset the accumulated time here.
14	Pump operation mode set	The fluid supply mode of the pump can be changed Pressure control mode ↔ Frequency set mode
15	Anti-freezing function	Circulating fluid is protected from freezing during winter or at night. Set beforehand if there is a risk of freezing.
16	Warming-up function	When circulating fluid temperature rising time at starting needs shortening during winter or at night, set beforehand.
17	Anti-snow coverage function	If there will be a possibility of the snow coverage due to the change of the installation environment (season, weather), set beforehand.
18	Alarm buzzer sound setting	Alarm sound can be set to on/off.
19	Alarm customizing	Operation during alarm condition and threshold values can be changed depending on the alarm type.
20	Communication	This function is used for contact input/output or serial communication.

Alarm

This unit has 42 types of alarms as standard, and displays each of them by its alarm code on the PV screen with the [ALARM] lamp ([LOW LEVEL] lamp) lit up on the operation display panel. The alarm can be read out through communication.

Code	Alarm message
AL01	Low level in tank
AL02	High circulating fluid discharge temp.
AL03	Circulating fluid discharge temp. rise
AL04	Circulating fluid discharge temp. drop
AL05	High circulating fluid return temp.
AL08	Circulating fluid discharge pressure rise
AL09	Circulating fluid discharge pressure drop
AL10	High compressor intake temp.
AL11	Low compressor intake temp.
AL12	Low super heat temp.
AL13	High compressor discharge pressure
AL15	Refrigeration circuit pressure (high pressure side) drop
AL16	Refrigeration circuit pressure (low pressure side) rise
AL17	Refrigeration circuit pressure (low pressure side) drop
AL18	Compressor running failure

Code	Alarm message
AL19	Communication error
AL20	Memory error
AL21	DC line fuse cut
AL22	Circulating fluid discharge temp. sensor failure
AL23	Circulating fluid return temp. sensor failure
AL24	Compressor intake temp. sensor failure
AL25	Circulating fluid discharge pressure sensor failure
AL26	Compressor discharge pressure sensor failure
AL27	Compressor intake pressure sensor failure
AL28	Pump maintenance
AL29	Fan maintenance*1
AL30	Compressor maintenance
AL31	Contact input 1 signal detection
AL32	Contact input 2 signal detection
AL37	Compressor discharge temp. sensor failure

Code	Alarm message
AL38	Compressor discharge temp. rise
AL39	Internal unit fan stoppage
AL40	Dustproof filter maintenance*1
AL41	Power stoppage
AL42	Compressor waiting
AL43	Fan breaker trip*1
AL44	Fan inverter error*1
AL45	Compressor breaker trip*2
AL46	Compressor inverter error
AL47	Pump breaker trip*2
AL48	Pump inverter error
AL49	Air exhaust fan stoppage*3

*1 Does not occur on the product of water-cooled refrigeration type.
*2 Does not occur on the product of power supply specification '20'.
*3 Does not occur on the product of air-cooled refrigeration type.
* For details, read the Operation Manual.

For details, refer to the Operation Manual. Please download it via our website, <https://www.smcworld.com>

HRS
HRS-R
HRS090
HRS 100/150
HRS200
HRS090
HRSH
HRSE
HRR
HRL
HRZ
HRZD
HRW
HECR
HEC
HEB
HED
Technical Data

Communication Functions

Contact Input/Output

Item	Specifications												
Connector type	M3 terminal block												
Input signal	Insulation method	Photocoupler											
	Rated input voltage	24 VDC											
	Operating voltage range	21.6 to 26.4 VDC											
	Rated input current	5 mA TYP											
	Input impedance	4.7 kΩ											
Contact output signal	Rated load voltage	48 VAC or less/30 VDC or less											
	Maximum load current	500 mA AC/DC (Resistance load)											
	Minimum load current	5 VDC 10 mA											
Output voltage	24 VDC ±10% 500 mA MAX (No inductive load)												
Circuit diagram	<table border="1" style="margin-left: auto; margin-right: auto;"> <thead> <tr> <th>Signal description</th> <th>Default setting*1</th> </tr> </thead> <tbody> <tr> <td>Contact input signal 2</td> <td>—</td> </tr> <tr> <td>Contact input signal 1</td> <td>Run/stop signal input</td> </tr> <tr> <td>Contact output signal 3</td> <td>Alarm status signal output</td> </tr> <tr> <td>Contact output signal 2</td> <td>Remote status signal output</td> </tr> <tr> <td>Contact output signal 1</td> <td>Operation status signal output</td> </tr> </tbody> </table>	Signal description	Default setting*1	Contact input signal 2	—	Contact input signal 1	Run/stop signal input	Contact output signal 3	Alarm status signal output	Contact output signal 2	Remote status signal output	Contact output signal 1	Operation status signal output
Signal description	Default setting*1												
Contact input signal 2	—												
Contact input signal 1	Run/stop signal input												
Contact output signal 3	Alarm status signal output												
Contact output signal 2	Remote status signal output												
Contact output signal 1	Operation status signal output												

*1 The pin numbers and output signals can be set by user. For details, refer to the Operation Manual for communication.

*2 When using with optional accessories, depending on the accessory, the allowable current of 24 VDC devices will be reduced. Refer to the operation manual of the optional accessories for details.

Serial Communication

The serial communication (RS-485/RS-232C) enables the following items to be written and read out. For details, refer to the Operation Manual for communication.

Writing
Run/Stop Circulating fluid temperature setting (SV)

Readout
Circulating fluid present temperature Circulating fluid discharge pressure Status information Alarm occurrence information

Item	Specifications	
Connector type	D-sub 9-pin, Female connector (Mounting screw: M2.6 x 0.45)	
Protocol	Modicon Modbus compliant/Simple communication protocol	
Standards	EIA standard RS-485	EIA standard RS-232C
Circuit diagram		

* The terminal resistance of RS-485 (120 Ω) can be switched by the operation display panel. For details, refer to the Operation Manual for communication. Do not connect other than in the way shown above, as it can result in failure.

Please download the Operation Manual via our website, <https://www.smcworld.com>

HRSH Series Options

* Options have to be selected when ordering the thermo-chiller. It is not possible to add them after purchasing the unit.

A Option symbol With Caster Adjuster-foot

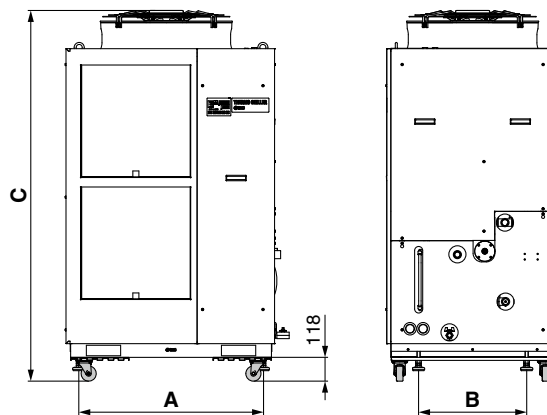
HRSH□-□□-□-**A**

● With caster adjuster-foot

Unfixed casters and adjuster feet stops are mounted.

Applicable model	Dimension [mm]			Additional weight*1 [kg]
	A	B	C	
HRSH250/300-A□-□□-A	916	536	1838	Approx. 24
HRSH100/150/200-A□-□□-A	830	401	1538	Approx. 18
HRSH100/150/200/250-W□-□□-A	570		1353	

*1 Refers to the amount of increase from the standard weight



B Option symbol With Earth Leakage Breaker

HRSH□-□□-20-**B**

● With earth leakage breaker

A leakage breaker is built in to automatically stop the supply power when it has short-circuit, over current or electrical leakage. (It is not necessary to select this option since an earth leakage breaker is installed for the models with power supply specification '40' as standard equipment.)

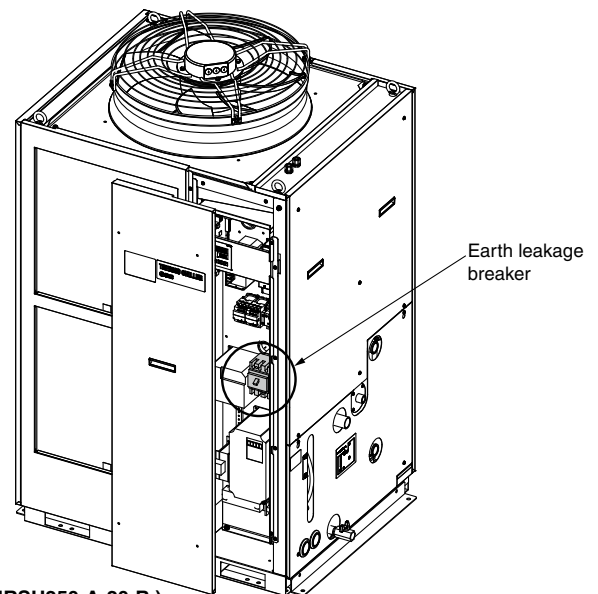
Applicable model	Rated current [A]	Sensitivity of leak current [mA]	Short circuit display method
HRSH100-□□-20-B	30	30	Mechanical button
HRSH150-□□-20-B			
HRSH200-□□-20-B	50		
HRSH250-□□-20-B			
HRSH300-□□-20-B			

* 400 V type is equipped as standard.

(Refer to the specifications on pages 235, 236 and the dimensions on pages 239, 240 for details.)

* Cannot be selected together with option B1.

* Cannot be selected together with option S.



(The figure shows the HRSH250-A-20-B.)

HRS

HRS-R

HRS090

HRS100/150

HRS200

HRS090

HRSH

HRSE

HRR

HRL

HRZ

HRZD

HRW

HECR

HEC

HEB

HED

Technical Data

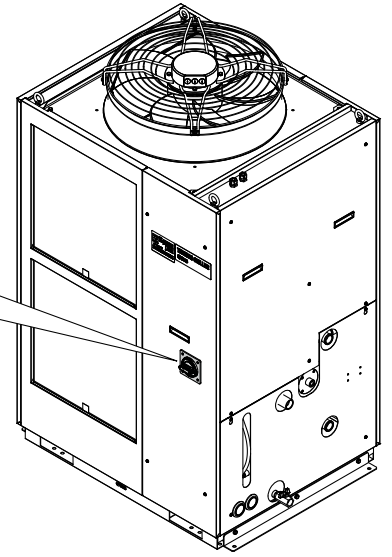
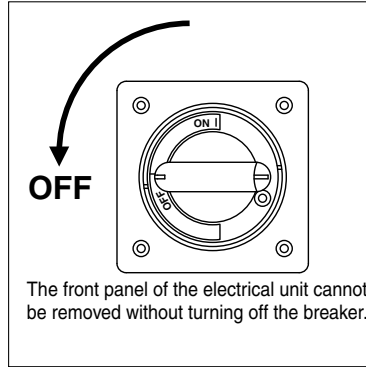
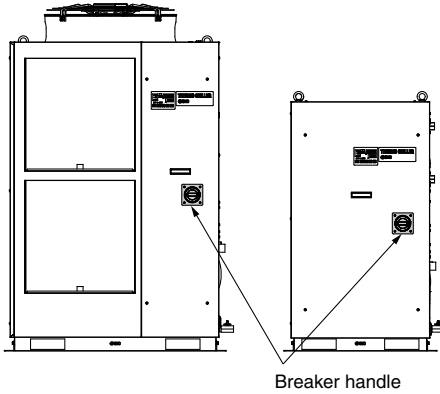
HRSH Series

B1 Option symbol With Earth Leakage Breaker with Handle

HRSH□-□□-20-B1

With earth leakage breaker with handle

A breaker operation handle that can be operated without removing the front panel for the electrical unit is mounted. Breaker capacity, sensitivity of leak current, and operating characteristics of the breaker are the same as option B. (It is not necessary to select this option since an earth leakage breaker with a handle is installed for the models with power supply specification '-40' as standard equipment.)



* 400 V type is equipped as standard.

* Cannot be selected together with option B.

* Cannot be selected together with option S.

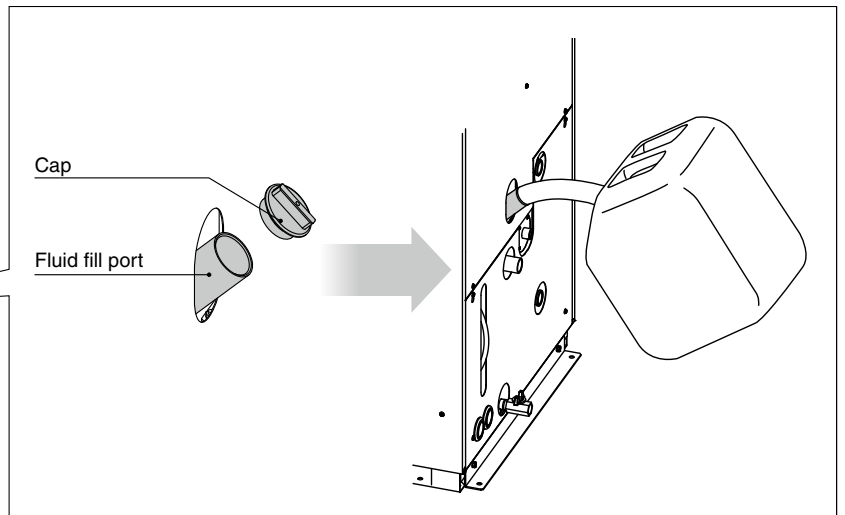
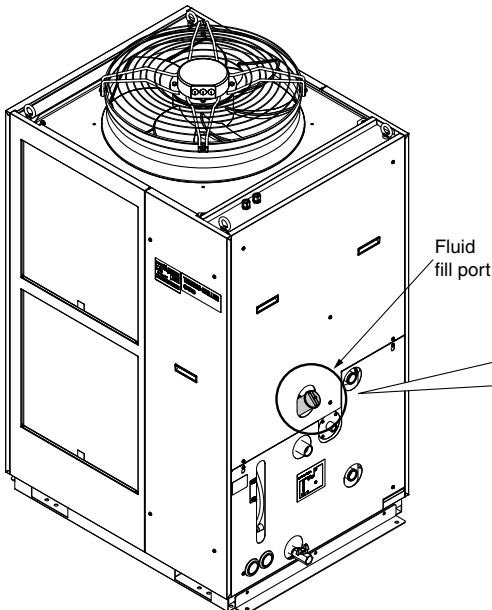
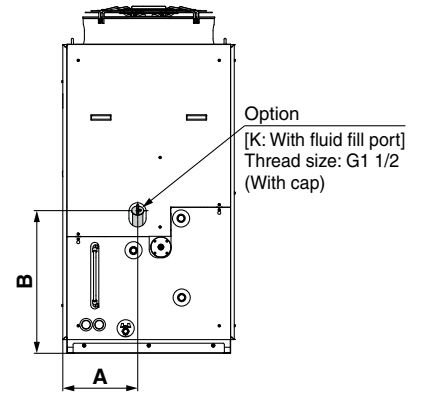
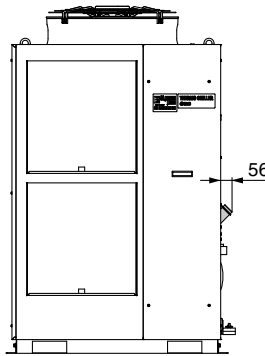
K Option symbol With Fluid Fill Port

HRSH□-□□-□-K

With fluid fill port

When the automatic fluid fill in port is not used, water can be supplied manually without removing the panel.

Applicable model	Dimension [mm]	
	A	B
HRSH100-□□-□-K HRSH150-□□-□-K HRSH200-□□-□-K HRSH250-W□-□-K	271	609
HRSH250-A□-□-K HRSH300-A□-□-K	372	708



(The figure shows the HRSH250-A-20-K.)

M Option symbol**Applicable to DI Water Piping**HRSH□-□□-□-**M**● **Applicable to DI water piping**

Contact material of the circulating fluid circuit is made from non-copper materials.

Applicable model	HRSH□-□□-□-M
Contact material for circulating fluid	Stainless steel (including heat exchanger brazing), PTFE, PU, FKM, EPDM, PVC, NBR, POM

* No change in external dimensions

S Option symbol**Compliant with CE/UL Standards**HRSH□-□□-**20-S**● **Compliant with CE/UL Standards**

Products compliant with CE/UL Standards.
The following standards are applicable.

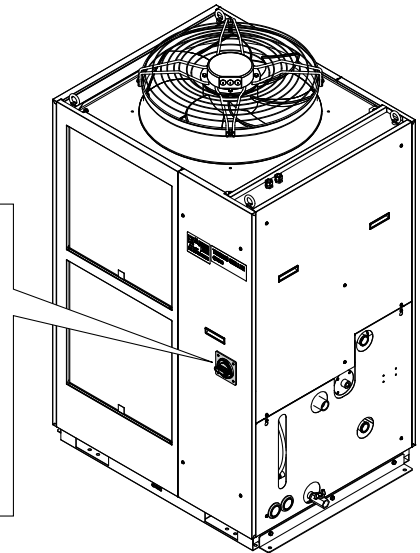
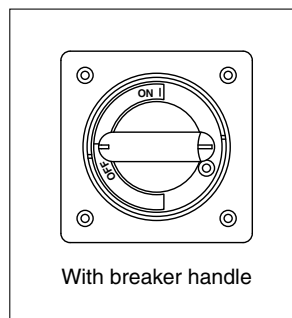
Applicable standard		
CE marking	EMC directive	2004/108/EC
	Machinery directive	2006/42/EC
UL standard	E112803 (UL61010-1)	

When selecting this option,

- An earth leakage breaker with a breaker handle is equipped.
(The breaker are the same as those for option B1.)
- A caution label is added.
- The CE/UL certification mark is added to the model number label.

* **Cannot be selected for 400 V type.*** **Cannot be selected together with option B.*** **Cannot be selected together with option B1.**

- * For the operation in accordance with the UL Standard, the product should be used in an environment at a pollution degree of 2 or less. Prepare a power supply of overvoltage category II or less.

**Models Compatible with Option S**

Applicable model	-A□	-W□
HRSH100-□□-20-S	●	●
HRSH150-□□-20-S	●	●
HRSH200-□□-20-S	●	●
HRSH250-□□-20-S	●	●
HRSH300-A□-20-S	●	—

HRS

HRS-R

HRS090

HRS
100/150

HRS200

HRS090

HRSH

HRSE

HRR

HRL

HRZ

HRZD

HRW

HECR

HEC

HEB

HED

Technical
Data

HRSH Series

T Option symbol
High-Pressure Pump Mounted

HRSH□-W□-□-**T**

● High-pressure pump mounted

Possible to choose a high-pressure pump in accordance with user's piping resistance.

*** Cannot be selected for air-cooled type**

Model				HRSH100-W□-20-T	HRSH150-W□-20-T	HRSH200-W□-20-T	HRSH250-W□-20-T
Circulating fluid system	Pump capacity	Rated flow (Outlet)*1,2	L/min	125 (0.50 MPa)			
		Max. flow rate	L/min	180			
		Max. pump head	m	80			
	Settable pressure range		MPa	0.1 to 0.8			
	Min. operating flow rate		L/min	40			
Electrical system	Applicable earth leakage breaker	Rated current	A	40		50	
		Sensitivity of leak current	mA	30			
	Rated operating current		A	26	30	34	
	Rated power consumption		kW (kVA)	6.6 (9.0)	8.2 (10.4)	8.9 (11.8)	
Weight (dry state)			kg	Approx. 202			

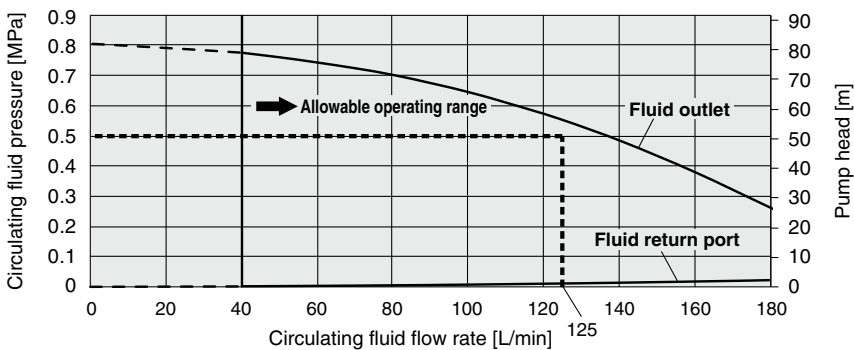
*1 The capacity at the thermo-chiller outlet when the circulating fluid temperature is 20°C

*2 The required min. flow rate for maintaining the cooling capacity or temperature stability

Model				HRSH100-W□-40-T	HRSH150-W□-40-T	HRSH200-W□-40-T	HRSH250-W□-40-T
Circulating fluid system	Pump capacity	Rated flow (Outlet)*1,2	L/min	125 (0.50 MPa)			
		Max. flow rate	L/min	180			
		Max. pump head	m	80			
	Settable pressure range		MPa	0.1 to 0.8			
	Min. operating flow rate		L/min	40			
Electrical system	Applicable earth leakage breaker	Rated current	A	30		30	
		Sensitivity of leak current	mA	30			
	Rated operating current		A	11.8	13.2	15.2	19.2
	Rated power consumption		kW (kVA)	6.5 (8.2)	7.5 (9.1)	9.0 (10.5)	11.9 (13.3)
Weight (dry state)			kg	Approx. 202			

*1 The capacity at the thermo-chiller outlet when the circulating fluid temperature is 20°C

*2 The required min. flow rate for maintaining the cooling capacity or temperature stability



W Option symbol
SI Unit Only

HRSH□-□□-20-**W**

● SI unit only

The circulating fluid temperature and pressure are displayed in SI units [MPa/°C] only.

If this option is not selected, a product with a unit selection function will be provided by default.

* No change in external dimensions

HRSH Series Optional Accessories

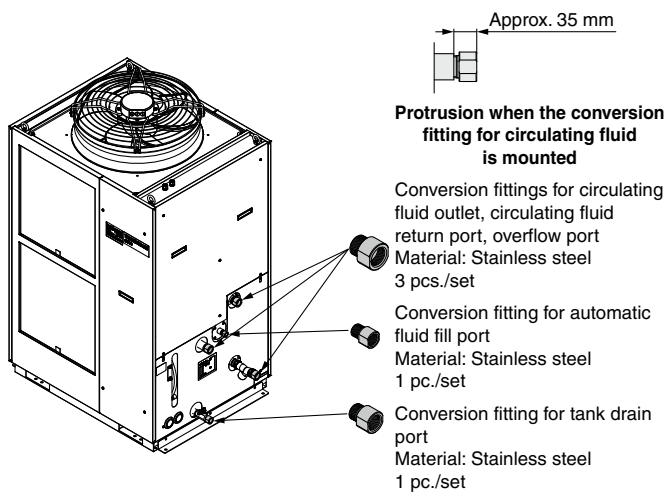
① Piping Conversion Fitting

This is a fitting to change the port from Rc to G or NPT.

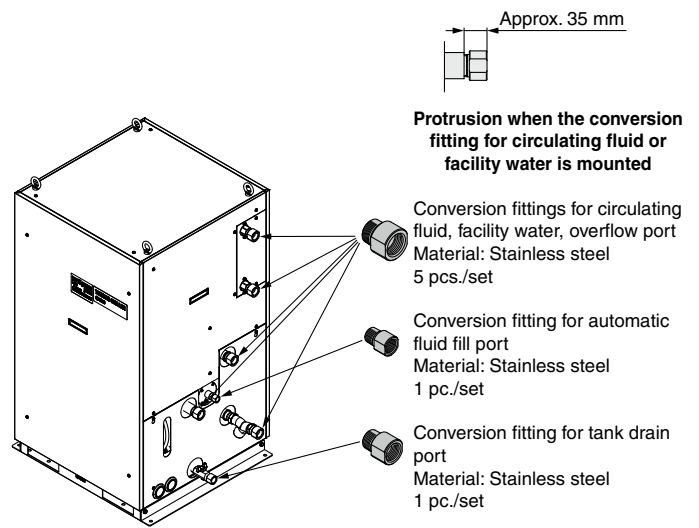
- Circulating fluid outlet, Circulating fluid return port, Overflow port Rc1 → NPT1 or G1
- Drain port Rc3/4 → NPT3/4 or G3/4
- Automatic fluid fill port Rc1/2 → NPT1/2 or G1/2
- Facility water inlet, Facility water outlet Rc1 → NPT1 or G1 (for HRS-EP015 or HRS-EP016)

(It is not necessary to purchase this when pipe thread type F or N is selected in "How to Order" since it is included in the product.)

Part no.	Contents	Applicable model
HRS-EP013	NPT thread conversion fitting set	HRSH□-A-□
HRS-EP014	G thread conversion fitting set	
HRS-EP015	NPT thread conversion fitting set	HRSH□-W-□
HRS-EP016	G thread conversion fitting set	



HRS-EP013, HRS-EP014



HRS-EP015, HRS-EP016

② Caster Adjuster-foot Kit

This is a set of unfix casters and adjuster feet stop.

When installed by user, it is necessary to lift the thermo-chiller by a forklift or sling work.

Carefully read the procedure manual included with this kit before performing the installation.

Part no.	Applicable model	Dimension [mm]		Weight [kg]
		A	B	
HRS-KS001	HRSH250-A-□-□	916	536	Approx. 24
	HRSH300-A-□-□			
	HRSH100-A-□-□ HRSH150-A-□-□ HRSH200-A-□-□	830		
HRS-KS002	HRSH100-W-□-□ HRSH150-W-□-□ HRSH200-W-□-□ HRSH250-W-□-□	570	401	Approx. 18

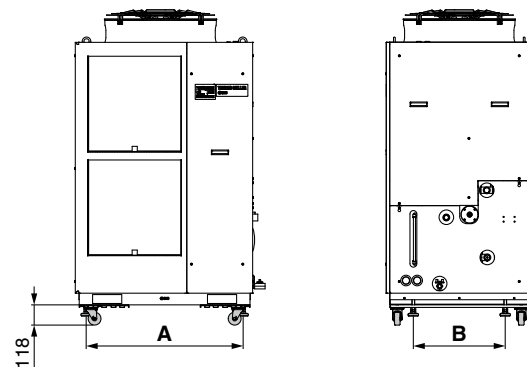


Fig. 1 Mounting view

Parts List

Description
Procedure manual
Caster adjuster-foot bracket (2 pcs.)
Fixing bolt (M8) (8 pcs.)

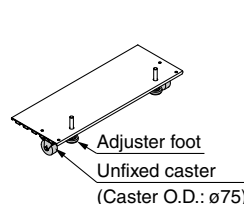


Fig. 2 Caster adjuster-foot bracket (2 pcs.)

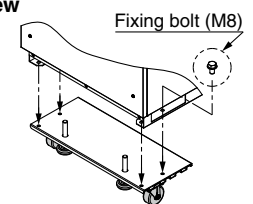


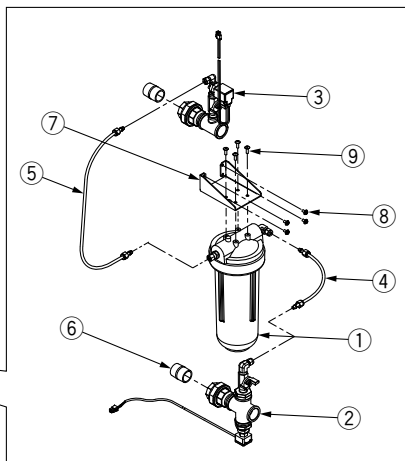
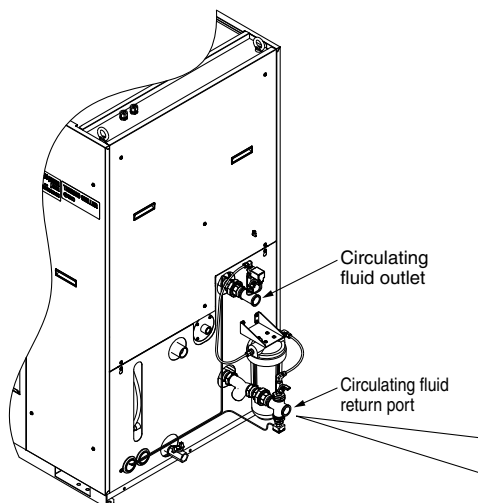
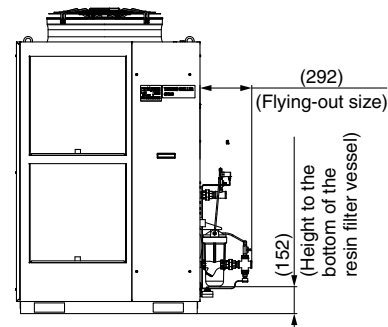
Fig. 3 Fixing bolt (8 pcs.)

③ Electric Conductivity Control Set

The set indicates and controls the electric conductivity of the circulating fluid. Refer to the Operation Manual for details.

Part no.	Applicable model
HRS-DI006	HRSH100 -□□-□
	HRSH150 -□□-□
	HRSH200 -□□-□
	HRSH250 -□□-□
	HRSH300 -□□-□

Measurement range of electric conductivity	2.0 to 48.0 $\mu\text{S/cm}$
Set range of electric conductivity target	5.0 to 45.0 $\mu\text{S/cm}$
Set range of electric conductivity hysteresis	2.0 to 10.0 $\mu\text{S/cm}$
Operating temperature range (Circulating fluid temperature)	5 to 60°C
Power consumption	400 mA or less
Installation environment	Indoor



Parts List

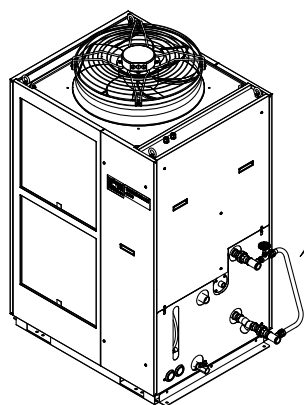
No.	Description	Fluid contact material	Qty.
①	DI filter vessel	PC, PP	1
②	DI sensor assembly	Stainless steel, PPS	1
③	DI control piping assembly	Stainless steel, EPDM	1
④	DI filter outlet tube	PFA, POM	1
⑤	DI filter inlet tube	PFA, POM	1
⑥	Nipple (Size: 1 inch)	Stainless steel	2
⑦	Mounting bracket	—	1
⑧	Mounting screw (M5 screw)	—	4
⑨	Tapping screw (M5 screw)	—	4
⑩	DI filter cartridge (Part no.: HRS-DF001)*1	PP, PE	1

*1 The product should be replaced when it can no longer preserve the electrical conductivity set value.

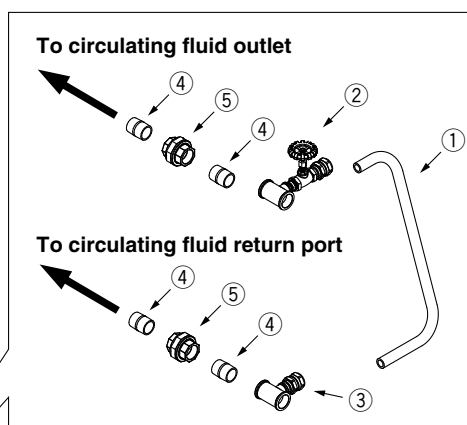
④ Bypass Piping Set

When the circulating fluid goes below the minimum operating flow rate (as shown below), cooling capacity will be reduced and the temperature stability will be badly affected. Use the bypass piping set to ensure a circulating fluid flow rate of the minimum operating flow rate or more.

Part no.	Applicable model	Minimum operating flow rate [L/min]
HRS-BP005	HRSH100 -□□-□	20
	HRSH150 -□□-□	25
	HRSH200 -□□-□	
	HRSH250-W -□□-□	
	HRSH250-A -□□-□	40
HRSH300-A -□□-□		



(The figure shows the HRSH250-A-20.)



Parts List

No.	Description	Fluid contact material	Qty.
①	Hose (I.D.: 15 mm)	PVC	1 (Approx. 700 mm)
②	Outlet piping assembly (With globe valve)	Stainless steel, Brass, Bronze	1
③	Return piping assembly	Stainless steel, Brass	1
④	Nipple (Size: 1 inch)	Stainless steel	4
⑤	Union (Size: 1 inch)	Stainless steel	2
⑥	Sealant tape	PTFE	1
⑦	Operation Manual	—	1

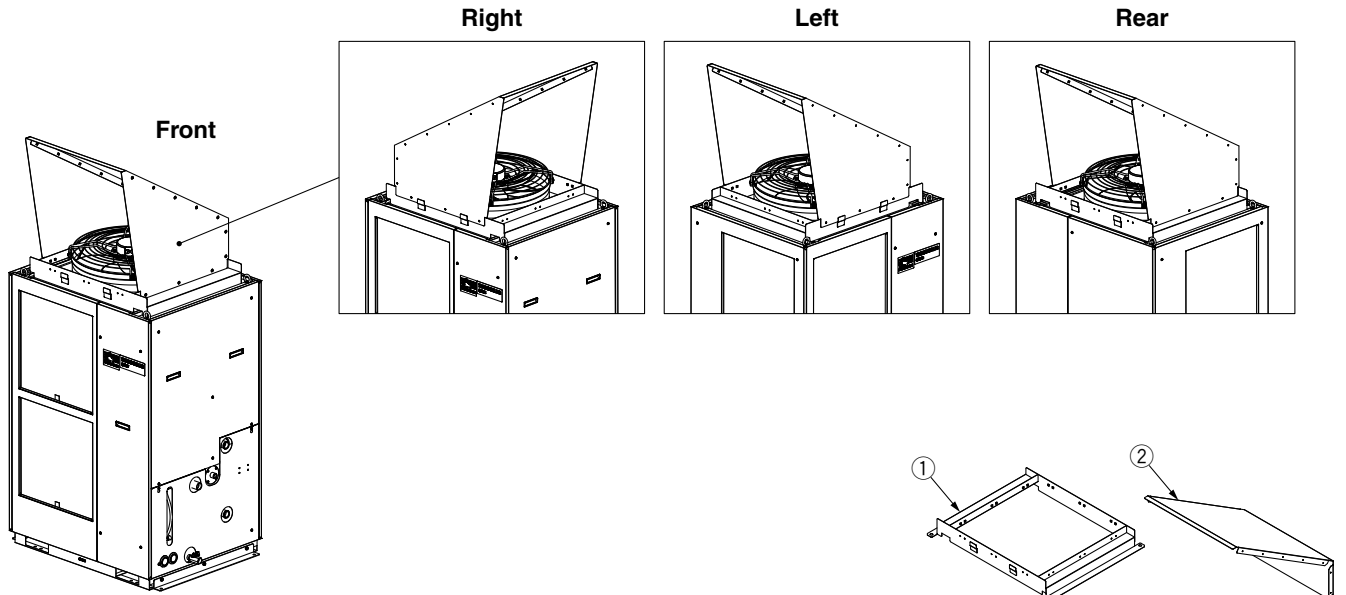
HRS
HRSH
HRSH090
HRSH100/150
HRSH200
HRSH090
HRSH
HRSE
HRR
HRL
HRZ
HRZD
HRW
HECR
HEC
HEB
HED
Technical Data

HRSH Series

⑤ Snow Protection Hood

Stainless steel snow protection hood for air-cooled chiller.

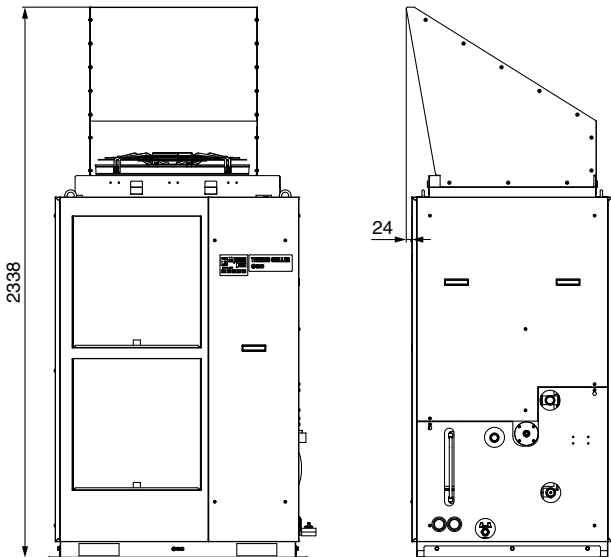
According to the mounting direction of the snow protection hood, the ventilation from the fan can be selected from four directions, front, rear, left and right.



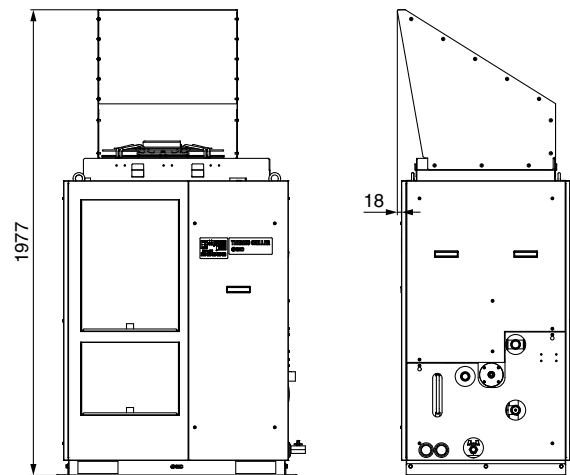
Part no.	Applicable model	Weight [kg]
HRS-BK003	HRSH250-A □-□	22
	HRSH300-A □-□	
HRS-BK004	HRSH100-A □-□	18
	HRSH150-A □-□	
	HRSH200-A □-□	

Parts List

No.	Description	Qty.
①	Snow protection hood base	1
②	Snow protection hood A	1
③	Snow protection hood B	2
④	Assembly/Mounting screw	20



Mounting condition for HRS-BK003



Mounting condition for HRS-BK004

* This hood does not completely prevent snow from entering the inside of the chiller.

⑥ Particle Filter Set

Removes foreign matter in the circulating fluid. This set cannot be directly connected to the thermo-chiller. Install it in the user's piping system. Refer to the Operation Manual for details.

Particle Filter Set

HRS-PF005-**H**

Accessory

Symbol	Accessory
Nil	None
H	With handle

Fluid	Tap water
Max. operating pressure	0.65 MPa
Operating temperature range	5 to 35°C
Nominal filtration accuracy	5 μm
Installation environment	Indoors

Parts List

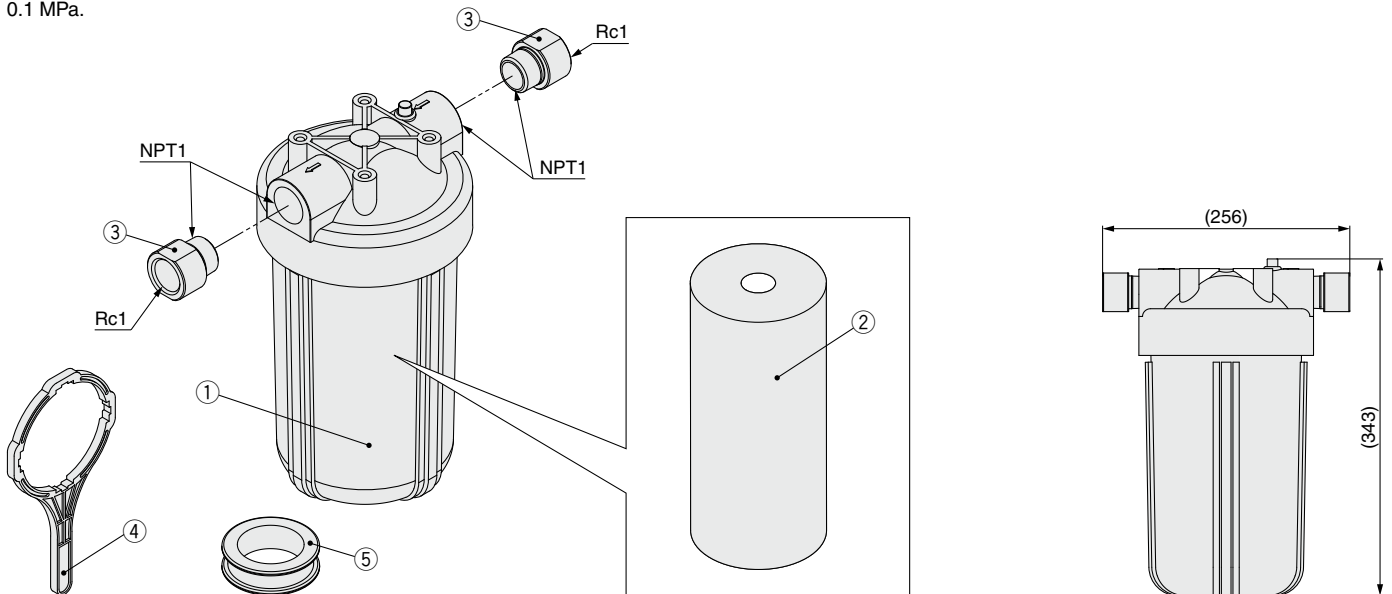
No.	Description	Material	Qty.	Note
①	Body	PC, PP	1	—
②	Element*1	PP	1	—
③	Extension piece	Stainless steel	2	Conversion from NPT to Rc
④	Handle	—	1	When -H is selected
⑤	Sealant tape	PTFE	1	—

*1 The product should be replaced when the pressure drop reaches 0.1 MPa.

Replacement Element

HRS-PF006

The product should be replaced when the pressure drop reaches 0.1 MPa.



HRS
HRS-R
HRS090
HRS 100/150
HRS200
HRS090
HRSH
HRSE
HRR
HRL
HRZ
HRZD
HRW
HECR
HEC
HEB
HED
Technical Data

HRSH Series

⑦ Wired Remote Controller

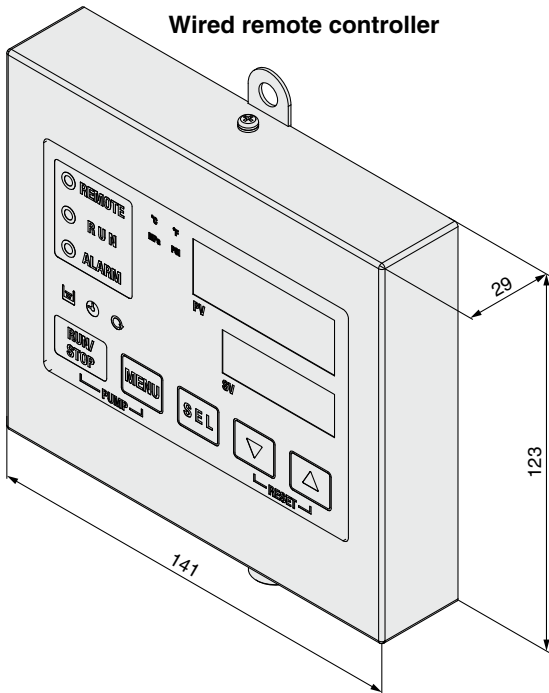
When the wired remote controller is connected to the thermo-chiller, the operation start/stop setting or the set temperature can be changed from a place apart from the thermo-chiller. For details, refer to the Operation Manual.

Wired Remote Controller

HRS-CV004-1

● Accessories

Symbol	Accessories
Nil	None
1	With cable (Approx. 20 m)
2	With cable (Approx. 50 m)
3	With cable (Approx. 100 m)



Wired remote controller

Displayed items

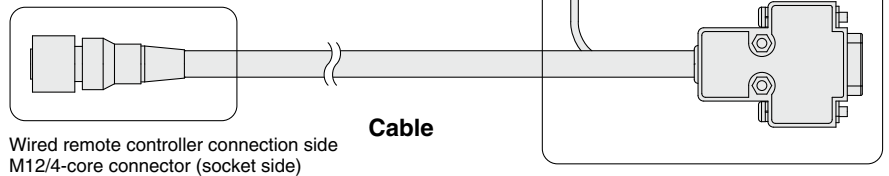
Circulating fluid discharge temperature
Circulating fluid discharge set temperature
Circulating fluid discharge pressure
Circulating fluid electric conductivity*1
Circulating fluid flow rate
Alarm code*2

*1 Only when the electric conductivity control set is used.

*2 Only when an alarm occurs. The alarm cannot be reset with the remote controller. Be sure to re-set the alarm with the thermo-chiller main unit.

Operable items

Operation start/stop
Circulating fluid temperature setting
Alarm sound stop
Key-lock
Key operation sound ON/OFF
Digital display brightness adjustment
Alarm sound ON/OFF



- * To use the wired remote controller, the thermo-chiller main unit setting is needed.
- * Use the wired remote controller indoors.
- * Pass the cable through the duct, etc. so that it is not exposed to rain water or direct sunlight.

Cooling Capacity Calculation

Required Cooling Capacity Calculation

Example 1: When the heat generation amount in the user's equipment is known.

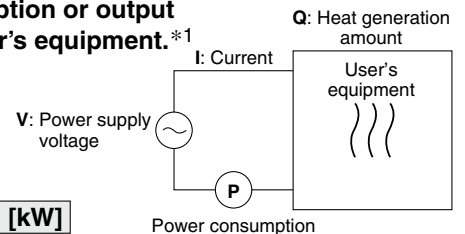
The heat generation amount can be determined based on the power consumption or output of the heat generating area — i.e. the area requiring cooling — within the user's equipment.*1

① Derive the heat generation amount from the power consumption.

Power consumption P: 20 [kW]

$$Q = P = 20 \text{ [kW]}$$

$$\text{Cooling capacity} = \text{Considering a safety factor of 20\%, } 20 \text{ [kW]} \times 1.2 = \boxed{24 \text{ [kW]}}$$



② Derive the heat generation amount from the power supply output.

Power supply output VI: 20 [kVA]

$$Q = P = V \times I \times \text{Power factor}$$

In this example, using a power factor of 0.85:

$$= 20 \text{ [kVA]} \times 0.85 = 17 \text{ [kW]}$$

Cooling capacity = Considering a safety factor of 20%,

$$17 \text{ [kW]} \times 1.2 = \boxed{20.4 \text{ [kW]}}$$

③ Derive the heat generation amount from the output.

Output (shaft power, etc.) W: 13 [kW]

$$Q = P = \frac{W}{\text{Efficiency}}$$

In this example, using an efficiency of 0.7:

$$= \frac{13}{0.7} = 18.6 \text{ [kW]}$$

Cooling capacity = Considering a safety factor of 20%,

$$18.6 \text{ [kW]} \times 1.2 = \boxed{22.3 \text{ [kW]}}$$

*1 The examples above calculate the heat generation amount based on the power consumption. The actual heat generation amount may differ due to the structure of the user's equipment. Be sure to check it carefully.

Example 2: When the heat generation amount in the user's equipment is not known.

Obtain the temperature difference between inlet and outlet by circulating the circulating fluid inside the user's equipment.

- Heat generation amount by user's equipment Q : Unknown [W] [(J/s)]
- Circulating fluid : Tap water*1
- Circulating fluid mass flow rate qm : (= ρ × qv ÷ 60) [kg/s]
- Circulating fluid density ρ : 1 [kg/L]
- Circulating fluid (volume) flow rate qv : 70 [L/min]
- Circulating fluid specific heat C : 4.186 × 10³ [J/(kg·K)]
- Circulating fluid outlet temperature T1 : 293 [K] (20 [°C])
- Circulating fluid return temperature T2 : 297 [K] (24 [°C])
- Circulating fluid temperature difference ΔT : 4 [K] (= T2 - T1)
- Conversion factor: minutes to seconds (SI units) : 60 [s/min]

*1 Refer to page 253 for the typical physical property value of tap water or other circulating fluids.

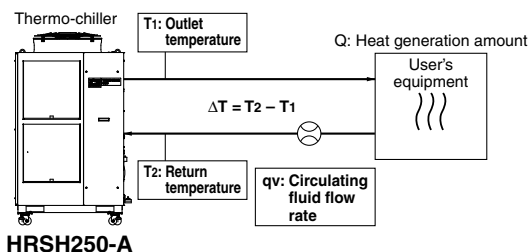
$$Q = qm \times C \times (T2 - T1)$$

$$= \frac{\rho \times qv \times C \times \Delta T}{60} = \frac{1 \times 70 \times 4.186 \times 10^3 \times 4.0}{60}$$

$$= 19535 \text{ [J/s]} \approx 19535 \text{ [W]} = 19.5 \text{ [kW]}$$

Cooling capacity = Considering a safety factor of 20%,

$$19.5 \text{ [kW]} \times 1.2 = \boxed{23.4 \text{ [kW]}}$$



Example of conventional units (Reference)

- Heat generation amount by user's equipment Q : Unknown [cal/h] → [W]
- Circulating fluid : Tap water*1
- Circulating fluid weight flow rate qm : (= ρ × qv × 60) [kgf/h]
- Circulating fluid weight volume ratio γ : 1 [kgf/L]
- Circulating fluid (volume) flow rate qv : 70 [L/min]
- Circulating fluid specific heat C : 1.0 × 10³ [cal/(kgf·°C)]
- Circulating fluid outlet temperature T1 : 20 [°C]
- Circulating fluid return temperature T2 : 24 [°C]
- Circulating fluid temperature difference ΔT : 4 [°C] (= T2 - T1)
- Conversion factor: hours to minutes : 60 [min/h]
- Conversion factor: kcal/h to kW : 860 [(cal/h)/W]

$$Q = \frac{qm \times C \times (T2 - T1)}{860}$$

$$= \frac{\gamma \times qv \times 60 \times C \times \Delta T}{860}$$

$$= \frac{1 \times 70 \times 60 \times 1.0 \times 10^3 \times 4.0}{860}$$

$$= \frac{16800000 \text{ [cal/h]}}{860}$$

$$\approx 19534 \text{ [W]} = 19.5 \text{ [kW]}$$

Cooling capacity = Considering a safety factor of 20%,

$$19.5 \text{ [kW]} \times 1.2 = \boxed{23.4 \text{ [kW]}}$$

HRSH
HRSH-R
HRSH090
HRSH100/150
HRSH200
HRSH090
HRSH
HRSE
HRR
HRL
HRZ
HRZD
HRW
HECR
HEC
HEB
HED
Technical Data

Required Cooling Capacity Calculation

Example 3: When there is no heat generation, and when cooling the object below a certain temperature and period of time.

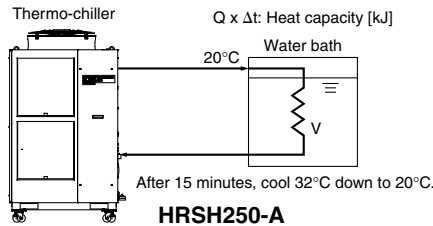
Heat quantity by cooled substance (per unit time) **Q** : Unknown [W] ([J/s])
 Cooled substance : Water
 Cooled substance mass **m** : (= $\rho \times V$) [kg]
 Cooled substance density ρ : 1 [kg/L]
 Cooled substance total volume **V** : 300 [L]
 Cooled substance specific heat **C** : 4.186×10^3 [J/(kg·K)]
 Cooled substance temperature when cooling begins **T₀** : 305 [K] (32 [°C])
 Cooled substance temperature after t hour **T_t** : 293 [K] (20 [°C])
 Cooling temperature difference ΔT : 12 [K] (= $T_0 - T_t$)
 Cooling time Δt : 900 [s] (= 15 [min])

* Refer to the following for the typical physical property values by circulating fluid.

$$Q = \frac{m \times C \times (T_0 - T_t)}{\Delta t} = \frac{\rho \times V \times C \times \Delta T}{\Delta t}$$

$$= \frac{1 \times 300 \times 4.186 \times 10^3 \times 12}{900} = 16744 \text{ [J/s]} \approx 16.7 \text{ [kW]}$$

Cooling capacity = Considering a safety factor of 20%,
 $16.7 \text{ [kW]} \times 1.2 = 20 \text{ [kW]}$



Example of conventional units (Reference)

Heat quantity by cooled substance (per unit time) **Q** : Unknown [cal/h] → [W]
 Cooled substance : Water
 Cooled substance weight **m** : (= $\rho \times V$) [kgf]
 Cooled substance weight volume ratio γ : 1 [kgf/L]
 Cooled substance total volume **V** : 300 [L]
 Cooled substance specific heat **C** : 1.0×10^3 [cal/(kgf·°C)]
 Cooled substance temperature when cooling begins **T₀** : 32 [°C]
 Cooled substance temperature after t hour **T_t** : 20 [°C]
 Cooling temperature difference ΔT : 12 [°C] (= $T_0 - T_t$)
 Cooling time Δt : 15 [min]
 Conversion factor: hours to minutes : 60 [min/h]
 Conversion factor: kcal/h to kW : 860 [(cal/h)/W]

$$Q = \frac{m \times C \times (T_0 - T_t)}{\Delta t \times 860} = \frac{\gamma \times V \times 60 \times C \times \Delta T}{\Delta t \times 860}$$

$$= \frac{1 \times 300 \times 60 \times 1.0 \times 10^3 \times 12}{15 \times 860}$$

$$\approx 16744 \text{ [W]} = 16.7 \text{ [kW]}$$

Cooling capacity = Considering a safety factor of 20%,
 $16.7 \text{ [kW]} \times 1.2 = 20 \text{ [kW]}$

* This is the calculated value by changing the fluid temperature only. Thus, it varies substantially depending on the water bath or piping shape.

Precautions on Cooling Capacity Calculation

1. Heating capacity

When the circulating fluid temperature is set above room temperature, it needs to be heated by the thermo-chiller. The heating capacity depends on the circulating fluid temperature. Consider the radiation rate and heat capacity of the user's equipment and check beforehand if the required heating capacity is provided.

2. Pump capacity

<Circulating fluid flow rate>

Circulating fluid flow rate varies depending on the circulating fluid discharge pressure. Consider the installation height difference between the thermo-chiller and the user's equipment, and the piping resistance such as circulating fluid pipings, or piping size, or piping curves in the machine. Check beforehand if the required flow is achieved, using the pump capacity curves.

<Circulating fluid discharge pressure>

Circulating fluid discharge pressure has the possibility to increase up to the maximum pressure in the pump capacity curves. Check beforehand if the circulating fluid pipings or circulating fluid circuit of the user's equipment are fully durable against this pressure.

Circulating Fluid Typical Physical Property Values

1. This catalog uses the following values for density and specific heat in calculating the required cooling capacity.

Density ρ : 1 [kg/L] (or, using conventional units, weight volume ratio $\gamma = 1$ [kgf/L])

Specific heat **C**: 4.19×10^3 [J/(kg·K)] (or, using conventional units, 1×10^3 [cal/(kgf·°C)])

2. Values for density and specific heat change slightly according to temperature shown below. Use this as a reference.

Water

Physical property value Temperature	Density ρ [kg/L]	Specific heat C [J/(kg·K)]	Conventional units	
			Weight volume ratio γ [kgf/L]	Specific heat C [cal/(kgf·°C)]
5°C	1.00	4.2×10^3	1.00	1×10^3
10°C	1.00	4.19×10^3	1.00	1×10^3
15°C	1.00	4.19×10^3	1.00	1×10^3
20°C	1.00	4.18×10^3	1.00	1×10^3
25°C	1.00	4.18×10^3	1.00	1×10^3
30°C	1.00	4.18×10^3	1.00	1×10^3
35°C	0.99	4.18×10^3	0.99	1×10^3
40°C	0.99	4.18×10^3	0.99	1×10^3

15% Ethylene Glycol Aqueous Solution

Physical property value Temperature	Density ρ [kg/L]	Specific heat C [J/(kg·K)]	Conventional units	
			Weight volume ratio γ [kgf/L]	Specific heat C [cal/(kgf·°C)]
5°C	1.02	3.91×10^3	1.02	0.93×10^3
10°C	1.02	3.91×10^3	1.02	0.93×10^3
15°C	1.02	3.91×10^3	1.02	0.93×10^3
20°C	1.01	3.91×10^3	1.01	0.93×10^3
25°C	1.01	3.91×10^3	1.01	0.93×10^3
30°C	1.01	3.91×10^3	1.01	0.94×10^3
35°C	1.01	3.91×10^3	1.01	0.94×10^3
40°C	1.01	3.92×10^3	1.01	0.94×10^3

* Shown above are reference values. Contact circulating fluid supplier for details.



HRSH Series

Specific Product Precautions 1

Be sure to read this before handling the products. Refer to page 513 for safety instructions and pages 514 to 517 for temperature control equipment precautions.

Design

Warning

1. This catalog shows the specifications of a single unit.

- 1) Check the specifications of the single unit (contents of this catalog) and thoroughly consider the adaptability between the user's system and this unit.
- 2) Although a protection circuit as a single unit is installed, prepare a drain pan, water leakage sensor, discharge air facility, and emergency stop equipment, depending on the user's operating conditions. Also, the user is requested to carry out a safety design for the whole system.

2. When attempting to cool areas that are open to the atmosphere (tanks, pipes), plan your piping system accordingly.

When cooling open-air external tanks, arrange the piping so that there are coil pipes for cooling inside the tanks and to carry back the entire flow volume of circulating fluid that is released.

3. Use non-corrosive material for circulating fluid and facility water contact parts.

Using corrosive materials such as aluminum or iron for fluid contact parts such as piping may cause clogging or leakage in the circulating fluid and facility water circuits. Provide protection against corrosion when you use the product.

4. The facility water outlet temperature (water-cooled type) may increase up to around 60°C.

When selecting the facility water pipings, consider the suitability for temperature.

Selection

Warning

Model selection

When selecting a thermo-chiller model, the amount of heat generation from the user's equipment must be known. Obtain this value, referring to "Cooling Capacity Calculation" on pages 252 and 253 before selecting a model.

Handling

Warning

Thoroughly read the operation manual.

Read the operation manual completely before operation, and keep the manual where it can be referred to as necessary.

Operating Environment/Storage Environment

Warning

1. Do not use in the following environment as it will lead to a breakdown.

- 1) In locations where water vapor, salt water, and oil may splash on the product.
- 2) In locations where there are dust and particles.
- 3) In locations where corrosive gases, organic solvents, chemical fluids, or flammable gases are present. (This product is not explosion proof.)

Operating Environment/Storage Environment

Warning

4) In locations where the ambient temperature exceeds the limits as mentioned below.

During transportation/storage: -15°C to 50°C (But as long as water or circulating fluid are not left inside the pipings)

During operation: Air cooling type: -20 to 45°C

Water cooling type: 2 to 45°C

* When the ambient temperature or circulating fluid temperature is 10°C or below, use the circulating fluid specified in "Operation at low ambient temperature or low circulating fluid temperature".

- 5) In locations where condensation may occur.
- 6) In locations which receive direct sunlight or radiated heat.
- 7) In locations where there is a heat source nearby and the ventilation is poor.
- 8) In locations where temperature substantially changes.
- 9) In locations where strong magnetic noise occurs. (In locations where strong electric fields, strong magnetic fields and surge voltage occur.)
- 10) In locations where static electricity occurs, or conditions which make the product discharge static electricity.
- 11) In locations where high frequency occurs.
- 12) In locations where damage is likely to occur due to lightning.
- 13) In locations at an altitude of 3000 m or higher (Except during storage and transportation)

* For altitudes of 1000 m or higher

Because of lower air density, the heat radiation efficiencies of the devices in the product will be lower in the location at an altitude of 1000 m or higher. Therefore, the maximum ambient temperature to use and the cooling capacity will lower according to the descriptions in the table below. Select the thermo-chiller considering the descriptions.

① Upper limit of ambient temperature: Use the product in ambient temperature of the described value or lower at each altitude.

② Cooling capacity coefficient: The product's cooling capacity will lower to one that multiplied by the described value at each altitude.

Altitude [m]	① Upper limit of ambient temperature [°C]	② Cooling capacity coefficient
Less than 1000 m	45	1.00
Less than 1500 m	42	0.85
Less than 2000 m	38	0.80
Less than 2500 m	35	0.75
Less than 3000 m	32	0.70

If heat from the product cannot be sufficiently radiated due to a rise in the ambient temperature, a lack of ventilation, high elevation, etc., the refrigerant circuit pressure on the high pressure side will rise. As a result, the compressor will overload, affecting product performance and life, so be sure to check the value of the refrigerant circuit pressure on the high pressure side. Refer to the operation manual for details on how to check the value of the refrigerant circuit pressure on the high pressure side.

- 14) In locations where strong impacts or vibrations occur.
- 15) In locations where a massive force strong enough to deform the product is applied or a weight from a heavy object is applied.
- 16) In locations where there is not sufficient space for maintenance.
- 17) In locations where liquid that exceeds the conditions required for the degrees of protection IPX4 may splash on the product.
- 18) Insects or plants may enter the unit.

2. The product is not designed for clean room usage. It generates particles internally.

HRS

HRS-R

HRS090

HRS 100/150

HRS200

HRS090

HRSH

HRSE

HRR

HRL

HRZ

HRZD

HRW

HECR

HEC

HEB

HED

Technical Data



HRSH Series Specific Product Precautions 2

Be sure to read this before handling the products. Refer to page 513 for safety instructions and pages 514 to 517 for temperature control equipment precautions.

Operation at Low Ambient Temperature or Low Circulating Fluid Temperature

Caution

1. Circulating fluid

In order to avoid freezing of the circulating fluid, use aqueous solution of ethylene glycol.

Ambient temperature [°C]	Recommended circulating fluids
10 to 45	Tap water, ethylene glycol aqueous solution 15 (wt)%
-5 to 10	Ethylene glycol aqueous solution 15 (wt)%
-20 to -5	Ethylene glycol aqueous solution 40 (wt)%

Circulating fluid temperature [°C]	Recommended circulating fluids
10 to 35	Tap water, ethylene glycol aqueous solution 15 (wt)%
5 to 10	Ethylene glycol aqueous solution 15 (wt)%

- * Concentration has to be 40 (wt)% or less. If the concentration is higher than 40 (wt)%, pump could be overloaded and Thermo-chiller makes alarm.
- * When 40% ethylene glycol aqueous solution is used, cooling capacity decreases by 20%.

2. And following instructions must be executed. If following instructions are not executed, not only Thermo-chiller alarm will be generated, but also damage of the product can result.

- Power has to be supplied to the Thermo-chiller all the time.
- Turn on anti-freezing function (set parameter: SE.10) all the time.
- When the power supply to the Thermo-chiller is stopped for a long period of time, discharge all the circulating fluid in the Thermo-chiller and user's device and piping. When the Thermo-chiller is refilled with the circulating fluid, supply the fluid at normal temperature.

Operation at High Ambient Temperature

Caution

Check the value of the refrigerant circuit pressure on the high pressure side.

If heat from the product cannot be sufficiently radiated due to a rise in the ambient temperature, a lack of ventilation, high elevation, etc., the refrigerant circuit pressure on the high pressure side will rise. As a result, the compressor will overload, affecting product performance and life.

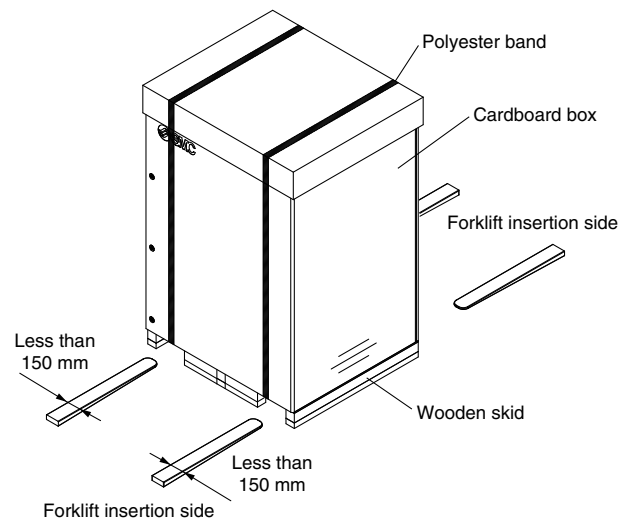
Refer to the operation manual for details on how to check the value of the refrigerant circuit pressure on the high pressure side.

Transportation/Carriage/Movement

Warning

1. This product will require an acceptance with the product not unloaded from the truck, and the user will need to unload the product by himself. Prepare a forklift.

The product will be delivered in the packaging shown below.



<When packaged>

Model	Weight [kg]	Dimensions [mm]
HRSH100-A□-□	221	Height 1585 x Width 1185 x Depth 955
HRSH150-A□-□	256	
HRSH200-A□-□	330	
HRSH250-A□-□	330	Height 1895 x Width 1230 x Depth 1040
HRSH100-W□-□	185	Height 1485 x Width 925 x Depth 955
HRSH150-W□-□	215	
HRSH200-W□-□	215	
HRSH250-W□-□	215	Height 1710 x Width 1185 x Depth 955
HRSH100-A□-A	240	
HRSH150-A□-A	275	
HRSH200-A□-A	275	Height 2020 x Width 1230 x Depth 1040
HRSH250-A□-A	355	
HRSH300-A□-A	355	
HRSH100-W□-A	204	Height 1610 x Width 925 x Depth 955
HRSH150-W□-A	234	
HRSH200-W□-A	234	
HRSH250-W□-A	234	

2. Transporting with forklift

- 1) A licensed driver should drive the forklift.
- 2) The proper place to insert the tines of the forklift differs depending on the model of cooler. Check the insert position, and be sure to drive the fork in far enough for it to come out the other side.
- 3) Be careful not to bump the fork to the cover panel or piping ports.



HRSH Series Specific Product Precautions 3

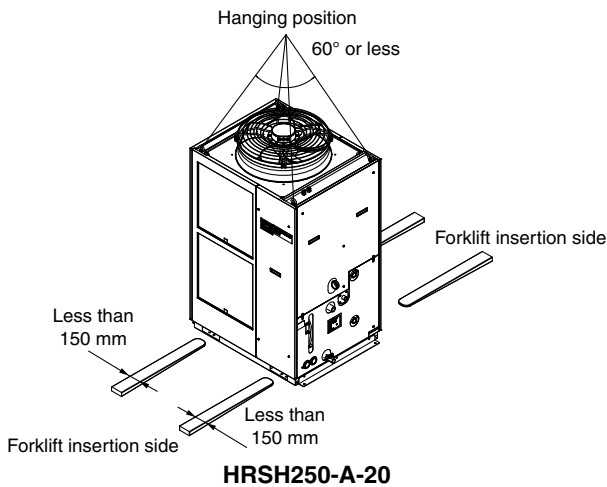
Be sure to read this before handling the products. Refer to page 513 for safety instructions and pages 514 to 517 for temperature control equipment precautions.

Transportation/Carriage/Movement

Warning

3. Hanging transportation

- 1) Crane manipulation and slinging work should be done by an eligible person.
- 2) Do not grip the piping on the right side or the handles of the panel.
- 3) When hanging by the eye bolts, be sure to use a 4-point hanging method. For the hanging angle, use caution regarding the position of the center of gravity and hold it within 60°.



(When using option A/With caster adjuster-foot and optional accessories/Caster adjuster-foot kit HRS-KS001 or KS002)

4. Transporting with casters

- 1) This product is heavy and should be moved by at least two people.
- 2) Do not grip the piping port on the right side or the handles of the panel.
- 3) When transporting using a forklift, be sure not to let it hit the casters or adjusters, and drive the fork all the way through until it comes out the other side.
- 4) Do not get across steps with casters.

Caution

If this product is to be transported after delivery, please use the original packaging the product was delivered in. If other packaging is to be used, carefully package the product so as to prevent the product from incurring any damage during transport.

Mounting/Installation

Warning

Do not place heavy objects on top of this product, or step on it.

The external panel can be deformed and danger can result.

Caution

1. Install on a rigid floor which can withstand this product's weight.
2. Secure with bolts, anchor bolts, etc.

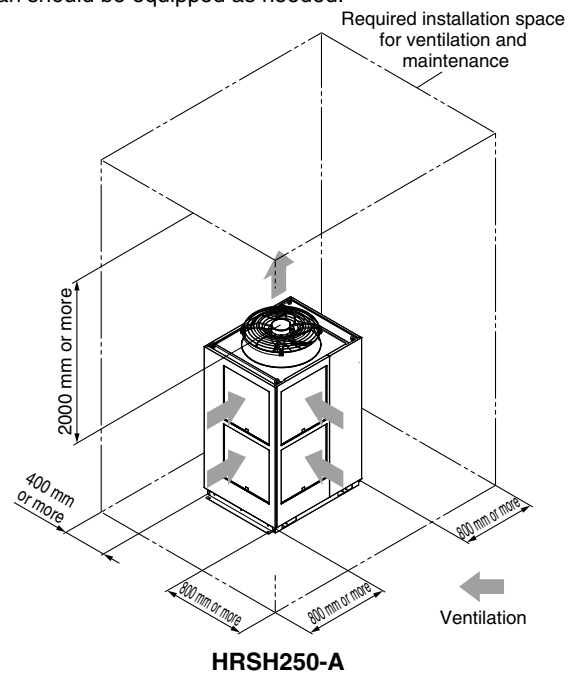
Mounting/Installation

Caution

3. Refer to the operation manual for this product, and secure an installation space that is necessary for the maintenance and ventilation.

<Air-cooled refrigeration>

1. The air-cooled type product exhausts heat using the fan that is mounted to the product. If the product is operated with insufficient ventilation, ambient temperature may exceed 45°C, and this will affect the performance and life of the product. To prevent this ensure that suitable ventilation is available (see below).
2. For installation indoors, ventilation ports and a ventilation fan should be equipped as needed.



3. If it is impossible to exhaust heat from the installation area indoors, or when the installation area is conditioned, provide a duct for heat exhaustion to the air outlet port of this product for ventilation. Do not mount the inlet of the duct (flange) directly to the air vent of the product, and keep a space larger than the diameter of the duct. Additionally, consider the resistance of the duct when making the air vent port for the duct.

<Heat radiation amount/Required ventilation rate>

Model	Heat radiation amount [kW]	Required ventilation rate [m ³ /min]	
		Differential temp. of 3°C between inside and outside of installation area	Differential temp. of 6°C between inside and outside of installation area
HRSH100-A□-□	Approx. 18	305	155
HRSH150-A□-□	Approx. 29	490	245
HRSH200-A□-□	Approx. 35	590	295
HRSH250-A□-□	Approx. 44	730	365
HRSH300-A□-□	Approx. 45	760	380

4. If heat from the product cannot be sufficiently radiated due to a rise in the ambient temperature, a lack of ventilation, high elevation, etc., the refrigerant circuit pressure on the high pressure side will rise. As a result, the compressor will overload, affecting product performance and life, so be sure to check the value of the refrigerant circuit pressure on the high pressure side. Refer to the operation manual for details on how to check the value of the refrigerant circuit pressure on the high pressure side.



HRSH Series Specific Product Precautions 4

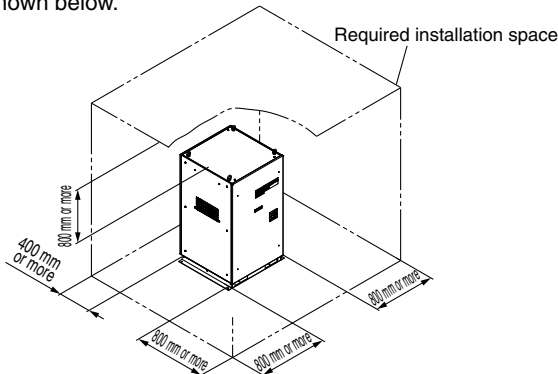
Be sure to read this before handling the products. Refer to page 513 for safety instructions and pages 514 to 517 for temperature control equipment precautions.

Mounting/Installation

⚠ Caution

<Water-cooled refrigeration>

When installing the product, keep the space for maintenance as shown below.



- When using the product at a low ambient temperature (10°C or less), refer to "Operation at low ambient temperature or low circulating fluid temperature" (page 255).

Piping

⚠ Caution

- The circulating fluid and facility water piping should be prepared by the customer with consideration of the operating pressure, temperature, and circulating fluid/facility compatibility.

If the operating performance is not sufficient, the pipings may burst during operation. Also, the use of corrosive materials such as aluminum or iron for fluid contact parts, such as piping, may not only lead to clogging or leakage in the circulating fluid and facility water circuits but also refrigerant leakage and other unexpected problems. Provide protection against corrosion when you use the product.

- Select the piping port size which can exceed the rated flow. For the rated flow, refer to the pump capacity table.
- When tightening at the drain port of this product, use a pipe wrench to clamp the connection ports.
- Supply water pressure to the automatic fluid fill port of this product should be 0.2 to 0.5 MPa. This product has a built-in ball (float) tap. If you attach it to the faucet of a sink, etc. it will automatically supply water to the rated fluid level of the tank (halfway between HIGH and LOW.) If the water supply pressure is too high, the pipes may burst during use. Proceed with caution.
- Ensure that piping is connected to the overflow port so that the circulating fluid can be exhausted to the drainage pit when the fluid level in the tank increases.
- For the circulating fluid piping connection, install a drain pan and wastewater collection pit just in case the circulating fluid may leak.
- This product series are constant-temperature fluid circulating machines with built-in tanks. Do not install equipment on your system side such as pumps that forcibly return the circulating fluid to the unit. Also, if you attach an external tank that is open to the air, it may become impossible to circulate the circulating fluid. Proceed with caution.
- The facility water flow rate is adjusted automatically according to the operating conditions. In addition, the facility water return temperature is 60°C at maximum.

Electrical Wiring

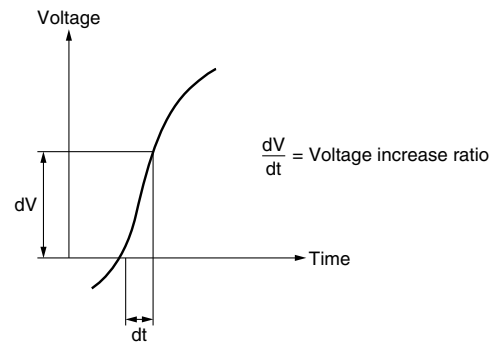
⚠ Warning

Grounding should never be connected to a water line, gas line or lightning rod.

⚠ Caution

- Power supply and communication cables should be prepared by user.
- Provide a stable power supply which is not affected by surge or distortion.

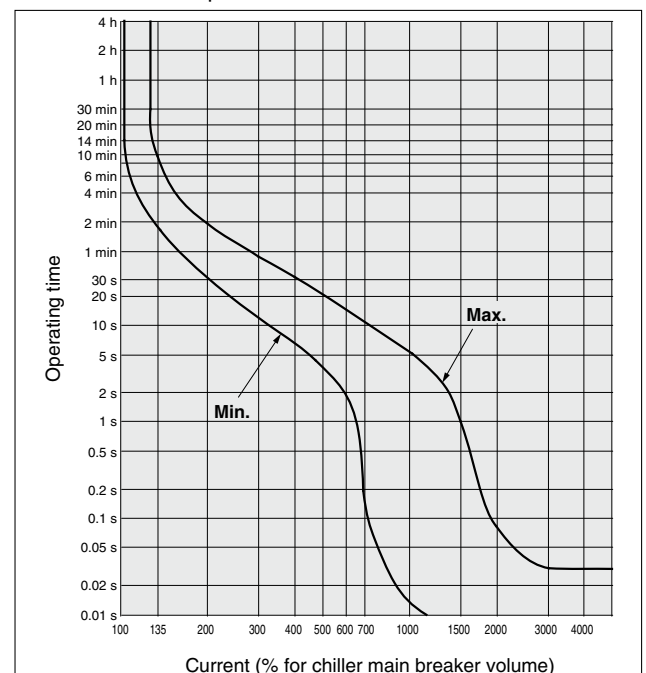
If the voltage increase ratio (dV/dt) at the zero cross should exceed 40 V/200 μ sec., it may result in malfunction.



<For 400 V type and option B [With earth leakage breaker]>

- This product is installed with a breaker with the following operating characteristics.

For the user's equipment (inlet side), use a breaker whose operating time is equal to or longer than the breaker of this product. If a breaker with shorter operating time is connected, the user's equipment could be cut off due to the inrush current of the motor of this product.





HRSH Series

Specific Product Precautions 5

Be sure to read this before handling the products. Refer to page 513 for safety instructions and pages 514 to 517 for temperature control equipment precautions.

Circulating Fluid

⚠ Caution

1. Avoid oil or other foreign matter entering the circulating fluid.
2. When water is used as a circulating fluid, use tap water that conforms to the appropriate water quality standards.

Use tap water that conforms to the standards shown below (including water used for dilution of ethylene glycol aqueous solution).

Tap Water (as a Circulating Fluid) Quality Standards

The Japan Refrigeration and Air Conditioning Industry Association
JRA GL-02-1994 "Cooling water system – Circulation type – Make-up water"

	Item	Unit	Standard value	Influence	
				Corrosion	Scale generation
Standard item	pH (at 25°C)	—	6.0 to 8.0	○	○
	Electric conductivity (25°C)	[μS/cm]	100*1 to 300*1	○	○
	Chloride ion (Cl ⁻)	[mg/L]	50 or less	○	
	Sulfuric acid ion (SO ₄ ²⁻)	[mg/L]	50 or less	○	
	Acid consumption amount (at pH4.8)	[mg/L]	50 or less		○
	Total hardness	[mg/L]	70 or less		○
	Calcium hardness (CaCO ₃)	[mg/L]	50 or less		○
Reference item	Ionic state silica (SiO ₂)	[mg/L]	30 or less		○
	Iron (Fe)	[mg/L]	0.3 or less	○	○
	Copper (Cu)	[mg/L]	0.1 or less	○	
	Sulfide ion (S ₂ ⁻)	[mg/L]	Should not be detected.	○	
	Ammonium ion (NH ₄ ⁺)	[mg/L]	0.1 or less	○	
	Residual chlorine (Cl)	[mg/L]	0.3 or less	○	
	Free carbon (CO ₂)	[mg/L]	4.0 or less	○	

- *1 In the case of [MΩ·cm], it will be 0.003 to 0.01.
- : Factors that have an effect on corrosion or scale generation.
- Even if the water quality standards are met, complete prevention of corrosion is not guaranteed.

3. Use an ethylene glycol aqueous solution that does not contain additives such as preservatives.
4. Refer to "Operation at low ambient temperature or low circulating fluid temperature" (page 255) for the concentration of the ethylene glycol aqueous solution.
5. When deionized water is used, the electric conductivity should be 1 μS/cm or higher (Electric resistivity: 1 MΩ·cm or lower).

Facility Water Supply

⚠ Warning

<Water-cooled refrigeration>

1. The water-cooled refrigeration type thermo-chiller radiates heat to the facility water. Prepare the facility water system that satisfies the heat radiation and the facility water specifications below.

■ Required facility water system

<Heat radiation amount/Facility water specifications>

Model	Heat radiation [kW]	Facility water specifications
HRSH100-W□-□	Approx. 20	Refer to "Facility water system" in the specifications on pages 234 and 236.
HRSH150-W□-□	Approx. 27	
HRSH200-W□-□	Approx. 34	
HRSH250-W□-□	Approx. 40	

Facility Water Supply

⚠ Warning

2. When using tap water as facility water, use tap water that conforms to the appropriate water quality standards.

Use water that conforms to the standards shown below. If the water quality standards are not met, clogging or leakage in the facility water piping, or other problems such as refrigerant leakage, etc., may result.

Tap Water (as Facility Water) Quality Standards

The Japan Refrigeration and Air Conditioning Industry Association
JRA GL-02-1994 "Cooling water system – Circulation type – Make-up water"

	Item	Unit	Standard value	Influence	
				Corrosion	Scale generation
Standard item	pH (at 25°C)	—	6.5 to 8.2	○	○
	Electric conductivity (25°C)	[μS/cm]	100*1 to 800*1	○	○
	Chloride ion (Cl ⁻)	[mg/L]	200 or less	○	
	Sulfuric acid ion (SO ₄ ²⁻)	[mg/L]	200 or less	○	
	Acid consumption amount (at pH4.8)	[mg/L]	100 or less		○
	Total hardness	[mg/L]	200 or less		○
	Calcium hardness (CaCO ₃)	[mg/L]	150 or less		○
Reference item	Ionic state silica (SiO ₂)	[mg/L]	50 or less		○
	Iron (Fe)	[mg/L]	1.0 or less	○	○
	Copper (Cu)	[mg/L]	0.3 or less	○	
	Sulfide ion (S ₂ ⁻)	[mg/L]	Should not be detected.	○	
	Ammonium ion (NH ₄ ⁺)	[mg/L]	1.0 or less	○	
	Residual chlorine (Cl)	[mg/L]	0.3 or less	○	
	Free carbon (CO ₂)	[mg/L]	4.0 or less	○	

- *1 In the case of [MΩ·cm], it will be 0.001 to 0.01.
- : Factors that have an effect on corrosion or scale generation.
- Even if the water quality standards are met, complete prevention of corrosion is not guaranteed.

3. Set the supply pressure between 0.3 to 0.5 MPa. Ensure a pressure difference at the facility water inlet/outlet of 0.3 MPa or more.

If the supply pressure is high, it will cause water leakage. If the supply pressure and pressure difference at the facility water inlet/outlet is low, it will cause an insufficient flow rate of the facility water, and poor temperature control.

Operation

⚠ Warning

1. Confirmation before operation

- 1) The fluid level of a tank should be within the specified range of "HIGH" and "LOW".
When exceeding the specified level, the circulating fluid will overflow.
- 2) Remove the air.
Conduct a trial operation, looking at the fluid level. Since the fluid level will go down when the air is removed from the user's piping system, supply water once again when the fluid level is reduced. When there is no reduction in the fluid level, the job of removing the air is completed. Pump can be operated independently.

2. Confirmation during operation

- Check the circulating fluid temperature. The operating temperature range of the circulating fluid is between 5 and 35°C. When the amount of heat generated from the user's equipment is greater than the product's capability, the circulating fluid temperature may exceed this range. Use caution regarding this matter.

3. Emergency stop method

- When an abnormality is confirmed, stop the machine immediately. After the machine has stopped, make sure to turn off the breaker of the user's equipment (on the upstream side).

HRSH
HRSH-R
HRSH090
HRSH100/150
HRSH200
HRSH090
HRSH
HRSE
HRR
HRL
HRZ
HRZD
HRW
HECR
HEC
HEB
HED
Technical Data



HRSH Series

Specific Product Precautions 6

Be sure to read this before handling the products. Refer to page 513 for safety instructions and pages 514 to 517 for temperature control equipment precautions.

Operation Restart Time/Operation and Suspension Frequency

Caution

1. Wait five minutes or more before restarting operation after it has been stopped. If the operation is restarted within five minutes, the protection circuit may activate and the operation may not start properly.
2. Operation and suspension frequency should not exceed 10 times per day. Frequently switching between operation and suspension may result in the malfunction of the refrigeration circuit.

Protection Circuit

Caution

If operating in the below conditions, the protection circuit will activate and an operation may not be performed or will stop.

- Power supply voltage is not within the rated voltage range of $\pm 10\%$.
- In case the water level inside the tank is reduced abnormally.
- Circulating fluid temperature is too high.
- Compared to the cooling capacity, the heat generation amount of the user's equipment is too high.
- Ambient temperature is over 45°C.
- Ventilation hole is clogged with dust or dirt.

Maintenance

Caution

<Periodical inspection every one month>

Clean the ventilation hole.

If the dustproof filter of water-cooled type product becomes clogged with dust or debris, a decline in cooling performance can result.

In order to avoid deforming or damaging the dustproof filter, clean it with a long-haired brush or air gun.

<Periodical inspection every three months>

Inspect the circulating fluid.

1. When using tap water or deionized water
 - Replacement of circulating fluid
 Failure to replace the circulating fluid can lead to the development of bacteria or algae. Replace it regularly depending on your usage conditions.
2. When using ethylene glycol aqueous solution
 - Use a concentration meter to confirm that the concentration does not exceed 15%.
 - Dilute or add as needed to adjust the concentration.

<Periodical inspection during the winter season>

1. Make water-removal arrangements beforehand.

If there is a risk of the circulating fluid and facility water freezing when the product is stopped, release the circulating fluid and facility water in advance.

2. Consult a professional.

This product has an "anti-freezing function", "warming-up function", and "anti-snow coverage function." Read the operation manual carefully, and if any additional anti-freezing function (e.g. tape heater) is needed, ask for it from the vendor.

Maintenance

Caution

<Periodical inspection during the summer season>

Check the value of the refrigerant circuit pressure on the high pressure side.

If heat from the product cannot be sufficiently radiated due to a rise in the ambient temperature, a lack of ventilation, high elevation, etc., the refrigerant circuit pressure on the high pressure side will rise. As a result, the compressor will overload, affecting product performance and life.

Refer to the operation manual for details on how to check the value of the refrigerant circuit pressure on the high pressure side.

■ Refrigerant with GWP reference

Refrigerant	Global warming potential (GWP)	
	Regulation (EU) No 517/2014 (Based on the IPCC AR4)	Revised Fluorocarbons Recovery and Destruction Law (Japanese law)
R134a	1,430	1,430
R404A	3,922	3,920
R407C	1,774	1,770
R410A	2,088	2,090

* This product is hermetically sealed and contains fluorinated greenhouse gases (HFC). When this product is sold on the market in the EU after January 1, 2017, it needs to be compliant with the quota system of the F-Gas Regulation in the EU.

* See specification table for refrigerant used in the product.