

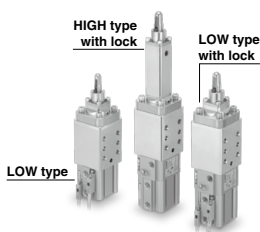
# Pin Clamp Cylinders

## C(L)KQG32/C(L)KU32 Series

ø32

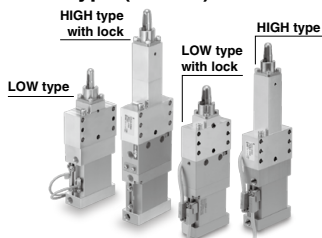
### Compact Cylinder Type C(L)KQG32

- Magnetic field resistant auto switch and small auto switch mountable
- The clamping height can be selected.
  - LOW type (-X2081)
  - HIGH type (-X2082)



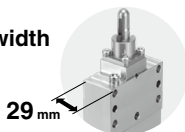
### Plate Cylinder Type C(L)KU32

- Magnetic field resistant auto switch and small auto switch mountable
- The clamping height can be selected.
  - LOW type (-X2321)
  - HIGH type (-X2322)



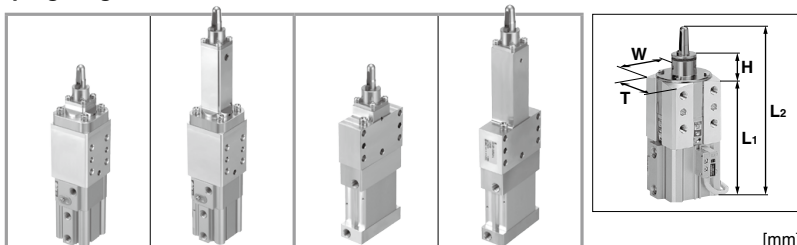
- ø32 pin clamp cylinder available
  - Compact design makes it applicable to a broad range of workpieces.
  - Contributes to a lightweight jig.

#### ■ 29 mm width



- All types with lock
  - Holds a workpiece during emergency stops.
- Guide pins and a diamond shape option (available for ø10 or more) for workpieces with ø9, ø11 and ø13 hole diameters

- 2 types of clamping heights can be selected. Height: 30 mm (LOW type), 100 mm (HIGH type)



Model	C(L)KQG32 Compact cylinder type (Guide pin diameter: ø12)		C(L)KU32 Plate cylinder type (Guide pin diameter: ø12)		C(L)KQG50 (Guide pin diameter: ø13)	
	LOW type	HIGH type	LOW type	HIGH type	LOW type	HIGH type
Clamping height	30	100	30	100	24	54
Clamping height H						
Body thickness T	50		29		66	
Body width W	50		70		66	
Body length L1	127 (159)		132.5 (160)		147.5 (182.5)	
Overall length L2	183 (215)	253 (295)	118.5 (216)	258.5 (286)	204.5 (239.5)	234.5 (269.5)
Weight [g]	900 (1140)	1110 (1350)	740 (950)	910 (1120)	1670 (2190)	1840 (2350)

\* Values in ( ) for specification with lock

- MK
- MK2T
- CK□1
- CLK2
- CLKG
- CKQ
- CLKQ
- CK□
- CLK□
- CKQ□

- D-□
- X□

# Pin Clamp Cylinders

## C(L)KQG32/C(L)KU32 Series

### ■ Added diamond type to guide pin shapes.

- Applicable hole diameter of workpiece for  $\phi 10$  to  $\phi 20$

### ■ Fine adjustment of the clamping height is possible with shims.

(Order shim separately. Refer to page 543.)

### ■ Lock mechanism to prevent dropping of workpiece during emergency stops

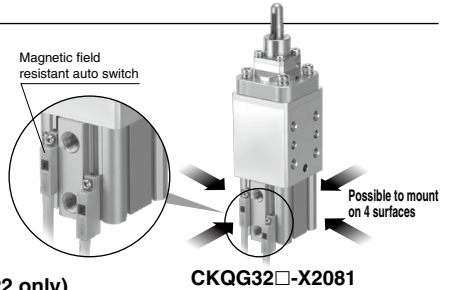
### ■ Magnetic field resistant auto switch and small auto switch available

Corresponding model/C(L)KQG32 type  
(-X2081, -X2082)

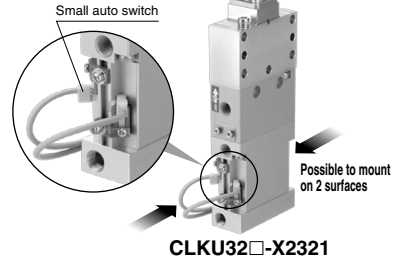
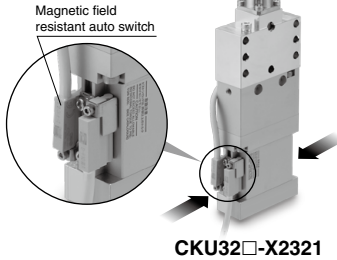
- Magnetic field resistant auto switch: D-P3DWA□, D-P4DW□
  - Solid state auto switch\*: D-M9□V, D-M9□WV
  - Reed auto switch\*: D-A9□
- \* Cannot be used under strong magnetic field.

Corresponding model/C(L)KU32 type (-X2321, -X2322 only)

- Magnetic field resistant auto switch: D-P3DWA□
  - Solid state auto switch\*: D-M9□V, D-M9□WV
  - Reed auto switch\*: D-A73, D-A79W
- \* Cannot be used under strong magnetic field.



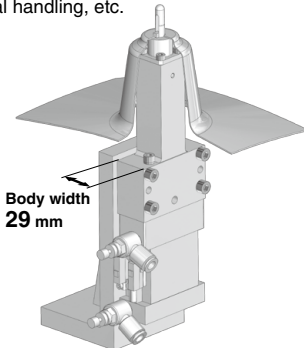
**Magnetic field resistant auto switch available**  
Mounting workability improved by changing the auto switch structure



## Application Examples

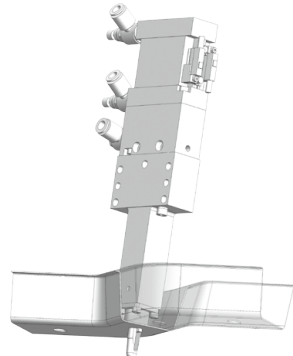
### CKU32 (Plate cylinder type)

- Compatible with installing in narrow spaces
- For clamping small and lightweight workpiece and material handling, etc.



### CLKU32 (Plate cylinder type with lock)

- Unclamp direction locking
- Drop prevention for workpiece during emergency stops



# Pin Clamp Cylinder Compact Cylinder Type

# C(L)KQG32 Series

## ø32

### How to Order

Clamping height  
LOW type

Clamping height  
HIGH type

C L K Q G B 32 - 075 R A L - P3DWASC - X2081

C L K Q G B 32 - 075 R A H - M9BW - X2082

With lock

Nil	Without lock
L	With lock

Mounting surface position  
(viewed from top)

Symbol	Mounting surface position
A	Port side Mounting surface
B	Port side Mounting surface
C	Port side Mounting surface
D	Port side Mounting surface

Bore size  
32 32 mm

Guide pin diameter  
\* For guide pin diameter, refer to page 530.

Guide pin shape

R	Round type 
D	Diamond type 

Number of auto switches  
Nil 2 pcs.  
S 1 pc. (Unclamping side)

Auto switch type

Nil Without auto switch

- \* Refer to the table below for the applicable auto switch model.
- \* Auto switches are shipped together, (but not assembled).
- \* Refer to the table below for the applicable auto switches.
- \* When the total thickness of clamped workpiece is over 2 mm, the auto switch may not be adjusted to the most sensitive position.
- \* Secure the minimum bending radius of the auto switch lead wire before use (Refer to page 544).

Clamp arm position (clockwise viewed from top)

Symbol	Clamp arm position	Symbol	Clamp arm position
A	Same as the port side Port side Clamp arm	C	180° from the port side Port side Clamp arm
B	90° from the port side Port side Clamp arm	D	270° from the port side Port side Clamp arm

**Auto Switch Models:** Refer to pages 941 to 1067 for further information on auto switches.

### Magnetic Field Resistant Auto Switches

Type	Auto switch model	Applicable magnetic field	Electrical entry	Indicator light	Wiring (Pin no. in use)	Load voltage	Lead wire length	Applicable load
Solid state auto switch	P3DWASC	AC magnetic field (Single-phase AC welding magnetic field)	Pre-wired connector	2-color	2-wire (3-4)	24 VDC	0.3 m	Relay, PLC (Note 1)
	P3DWASE				2-wire (1-4)			
	P3DWA				2-wire			
	P3DWAL				2-wire (3-4)			
	P3DWAZ		2-wire (1-4)		0.3 m			
	P4DWSC		2-wire					
	P4DWSE		2-wire					
	P4DWL		2-wire					
P4DWZ	2-wire	5 m						

Note 1) PLC: Programmable Logic Controller Note 2) There are applicable auto switches other than the listed above. For details, refer to the table below.

### Small Auto Switches Small auto switches cannot be used under a strong magnetic field.

Type	Special function	Electrical entry	Indicator light	Wiring (Output)	Load voltage		Auto switch model		Lead wire length [m]					Pre-wired connector	Applicable load
					DC	AC	Perpendicular	In-line	0.5 (Nil)	1 (M)	3 (L)	5 (Z)			
Solid state auto switch	—	Grommet	Yes	3-wire (NPN)	5 V, 12 V	—	M9NV	M9N	●	●	●	○	○	Relay, PLC	
				3-wire (PNP)			M9PV	M9P	●	●	●	○	○		
				2-wire	M9BV	M9B	●	●	●	○	○				
	3-wire (NPN)			5 V, 12 V	M9NW	M9NW	●	●	●	○	○				
	3-wire (PNP)				M9PW	M9PW	●	●	●	○	○				
	2-wire			12 V	M9BW	M9BW	●	●	●	○	○				
Water resistant (2-color indicator)	—	Grommet	Yes	3-wire (NPN)	5 V, 12 V	—	M9NAV	M9NA	○	○	●	○	○	IC circuit	
				3-wire (PNP)			M9PAV	M9PA	○	○	●	○	○		
				2-wire	12 V	M9BAV	M9BA	○	○	○	○	○			
Reed auto switch	—	Grommet	Yes	3-wire (NPN equivalent)	5 V	—	A96V	A96	●	●	●	—	—	IC circuit	
				2-wire	12 V	100 V	A93V*1	A93	●	●	●	—	—		
			No	2-wire	24 V	100 V or less	A90V	A90	●	●	●	—	—	Relay, PLC	

\*1 1 m lead wire is only applicable to the D-A93.

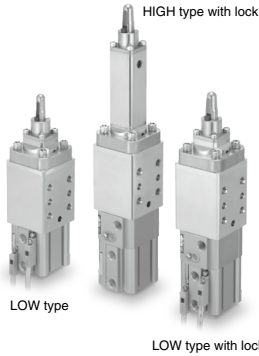
\* Solid state auto switches marked with "○" are produced upon receipt of order.

\* Auto switches and mounting brackets are shipped together, (but not assembled).

\* Lead wire length symbols: 0.5 m.....Nil (Example) M9NWV  
1 m.....M (Example) M9NWVM  
3 m.....L (Example) M9NWVL  
5 m.....Z (Example) M9NWVZ

# C(L)KQG32 Series

## Basic Specifications



Model			C(L)KQG32
<b>Action</b>			Double acting
<b>Bore size [mm]</b>			32
<b>Cylinder stroke/Clamp stroke [mm]</b>			12.5 (Without workpiece)/10
<b>Fluid</b>			Air
<b>Minimum operating pressure</b>			CKQ□: 0.1 MPa   CLKQ□: 0.15 MPa*
<b>Maximum operating pressure</b>	<b>Guide pin diameter [mm]</b>	ø7.5 to ø13.0	0.7 MPa
		ø13.5 to ø20.0	1.0 MPa
<b>Ambient and fluid temperature</b>			-10 to 60°C (No freezing)
<b>Cushion</b>			None
<b>Lubrication</b>			Non-lube
<b>Piston speed (Clamp speed)</b>			50 to 150 mm/sec
<b>Port size (Cylinder port)</b>			Rc1/8

\* Minimum operating pressure is 0.2 MPa when cylinder part and locking part use the same piping.

## Lock Specifications

<b>Locking action</b>	Spring locking (Exhaust locking)
<b>Unlocking pressure</b>	0.2 MPa
<b>Lock starting pressure</b>	0.05 MPa
<b>Locking direction</b>	Unclamp direction locking
<b>Port size (Lock release port)</b>	Rc1/8
<b>Holding force (Maximum static load)</b>	402 N

## Guide Pin Diameter

Symbol	075	076	077	078	079	080	085	086	087	088	089	090	095	096	097	098	099	100	105	106	107	108	109	110
Guide pin diameter [mm]	7.5	7.6	7.7	7.8	7.9	8.0	8.5	8.6	8.7	8.8	8.9	9.0	9.5	9.6	9.7	9.8	9.9	10.0	10.5	10.6	10.7	10.8	10.9	11.0
Applicable hole diameter of workpiece [mm]	For ø8						For ø9						For ø10						For ø11					
Guide pin shape	Round type												Round type/Diamond type											

Symbol	115	116	117	118	119	120	125	126	127	128	129	130	135	136	137	138	139	140	145	146	147	148	149	150
Guide pin diameter [mm]	11.5	11.6	11.7	11.8	11.9	12.0	12.5	12.6	12.7	12.8	12.9	13.0	13.5	13.6	13.7	13.8	13.9	14.0	14.5	14.6	14.7	14.8	14.9	15.0
Applicable hole diameter of workpiece [mm]	For ø12						For ø13						For ø14						For ø15					
Guide pin shape	Round type/Diamond type																							

Symbol	155	156	157	158	159	160	175	176	177	178	179	180	195	196	197	198	199	200
Guide pin diameter [mm]	15.5	15.6	15.7	15.8	15.9	16.0	17.5	17.6	17.7	17.8	17.9	18.0	19.5	19.6	19.7	19.8	19.9	20.0
Applicable hole diameter of workpiece [mm]	For ø16						For ø18						For ø20					
Guide pin shape	Round type/Diamond type																	

## Clamping Force

Model	Guide pin diameter [mm]	Operating pressure [MPa]									
		0.2	0.3	0.4	0.5	0.6	0.7	0.8	0.9	1.0	
C(L)KQG32	ø7.5 to ø13.0	121	181	241	302	362	422	—	—	—	
	ø13.5 to ø20.0	121	181	241	302	362	422	483	543	603	

Note 1) It takes approximately 0.3 seconds for the cylinder to operate to generate clamping force from an unclamping state (when no speed controller is installed). Design circuit taking into consideration the time before the clamping force is generated.

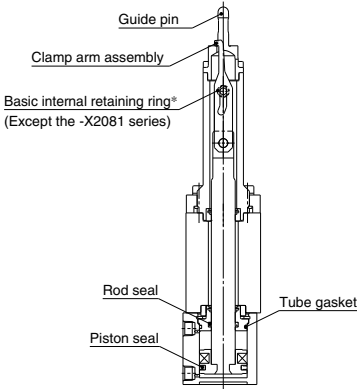
Note 2) Determine the clamping force according to the strength of the workpiece. It can be damaged if the clamping force is too large.

Note 3) Guide pins and clamp arms are consumable items. Please prepare spare parts in case they are damaged. It is recommended to prepare spare parts for guide pins and clamp arms, especially for products used in workpieces with ø12 or less hole diameters.

## Weight

Model		CKQG32		CLKQG32	
		-X2081	-X2082	-X2081	-X2082
Guide pin diameter [mm]	ø7.5 to ø8.0	900	1110	1140	1350
	ø8.5 to ø9.0				
	ø9.5 to ø10.0				
	ø10.5 to ø11.0				
	ø11.5 to ø12.0				
	ø12.5 to ø13.0				
	ø13.5 to ø14.0	940	1150	1180	1390
	ø14.5 to ø15.0				
	ø15.5 to ø16.0				
	ø17.5 to ø18.0				
ø19.5 to ø20.0					
	950	1160	1190	1400	

## Replacement Parts



CKQG□32-100R□H-X2082

### ■Guide Pin Order No.

**CKQG32X - 075 R**

Guide pin diameter ●

\* Refer to Table 1 (Symbol 2) below.

Guide pin shape ●

Symbol	Round type	Diamond type
R		

### ■Clamp Arm Assembly Order No.

**CKQG32X - 08 B**

Applicable hole diameter of workpiece ●

\* Refer to Table 1 (Symbol 1) below.

Clamp arm assembly ●

\* The clamp arm includes a basic internal retaining ring.

### ■Seal Kit (For type without lock only)

Kit no.	Contents
CQ2B32-PS	①Piston seal ②Rod seal ③Tube gasket

\* Seal kit includes ①, ②, ③. Since the seal kit does not include a grease pack, order the "Grease Pack" below separately.

\* CLKQ cannot be disassembled and therefore no seal kit is available.

### ■Grease Pack

Kit no.	Contents
GR-S-010	Grease 10 g

\* Please consult with SMC when replacing the actuating cylinders.

### ■Shim (Option)

Refer to page 543 for details about part numbers and dimensions.

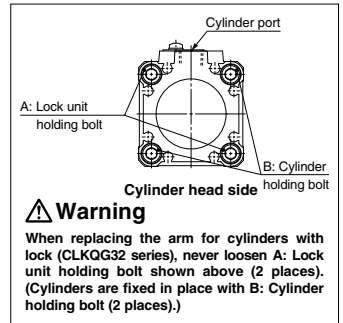


Table 1. Guide Pin Diameter/Applicable Hole Diameter of Workpiece

Symbol 1	Applicable hole diameter of workpiece	Symbol 2	Guide pin diameter	Shape	Symbol 1	Applicable hole diameter of workpiece	Symbol 2	Guide pin diameter	Shape	Symbol 1	Applicable hole diameter of workpiece	Symbol 2	Guide pin diameter	Shape
08	8		075	7.5	Round type	12	12	115	11.5	16	16		155	15.5
			076	7.6				116	11.6				156	15.6
			077	7.7				117	11.7				157	15.7
			078	7.8				118	11.8				158	15.8
			079	7.9				119	11.9				159	15.9
			080	8.0				120	12.0				160	16.0
09	9		085	8.5	Round type	13	13	125	12.5	18	18		175	17.5
			086	8.6				126	12.6				176	17.6
			087	8.7				127	12.7				177	17.7
			088	8.8				128	12.8				178	17.8
			089	8.9				129	12.9				179	17.9
			090	9.0				130	13.0				180	18.0
10	10		095	9.5	Round type	14	14	135	13.5	20	20		195	19.5
			096	9.6				136	13.6				196	19.6
			097	9.7				137	13.7				197	19.7
			098	9.8				138	13.8				198	19.8
			099	9.9				139	13.9				199	19.9
			100	10.0				140	14.0				200	20.0
11	11		105	10.5	Diamond type	15	15	145	14.5	11	11		105	10.5
			106	10.6				146	14.6				106	10.6
			107	10.7				147	14.7				107	10.7
			108	10.8				148	14.8				108	10.8
			109	10.9				149	14.9				109	10.9
			110	11.0				150	15.0				110	11.0

MK

MK2T

CK□1

CLK2

CLKG

CKO

CLKQ

CK□

CK□

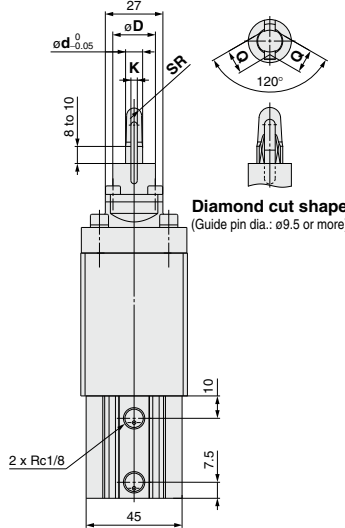
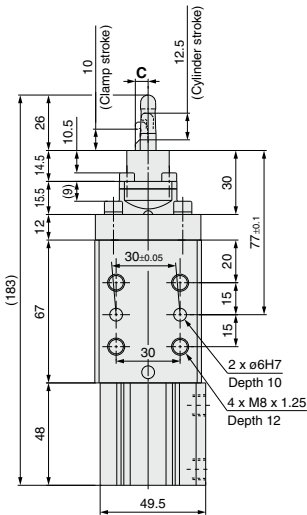
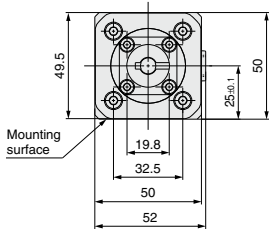
D-□

-X□

# C(L)KQG32 Series

## Dimensions

**CKQG□32 (Clamping height LOW type)** \* The figures below indicate the CKQGB32-□RCL-X2081.



### Mounting surface position

<b>A</b>	
<b>B</b>	
<b>C</b>	
<b>D</b>	

### Clamp arm position

<b>A</b>	Same as the port side		
<b>B</b>	90° from the port side		
<b>C</b>	180° from the port side		
<b>D</b>	270° from the port side		

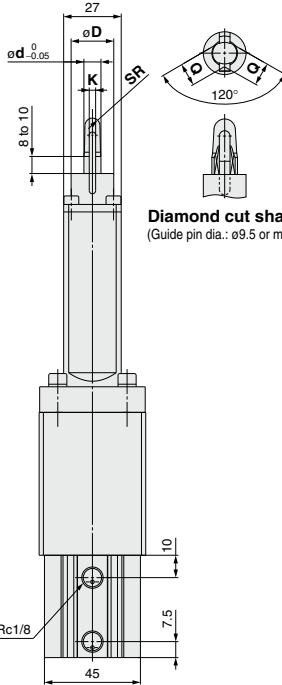
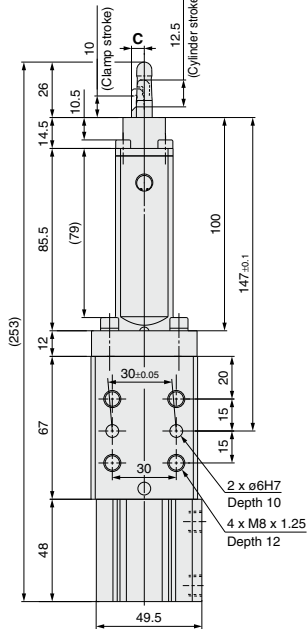
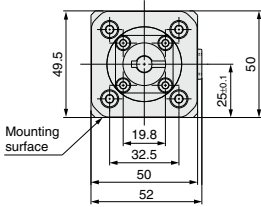
Hole diameter of workpiece	C	D	d	K	SR	Q	Model number
ø8	6	20	7.5	3.5	3.5	—	075
			7.6				076
			7.7				077
			7.8				078
			7.9				079
			8.0				080
			8.5				085
ø9	6.5	20	8.6	4	4	—	086
			8.7				087
			8.8				088
			8.9				089
			9.0				090
			9.5				095
			9.6				096
ø10	7.5	20	9.7	4	4.5	9.2	097
			9.8				098
			9.9				099
			10.0				100
			10.5				105
			10.6				106
			10.7				107
ø11	7.5	20	10.8	4	4.5	9.8	108
			10.9				109
			11.0				110

Hole diameter of workpiece	C	D	d	K	SR	Q	Model number
ø12	8.5	20	11.5	5	5	10.9	115
			11.6				116
			11.7				117
			11.8				118
			11.9				119
			12.0				120
			12.5				125
ø13	8.5	20	12.6	5	5.5	11.6	126
			12.7				127
			12.8				128
			12.9				129
			13.0				130
			13.5				135
			13.6				136
ø14	10.5	25	13.7	6	5.5	12.6	137
			13.8				138
			13.9				139
			14.0				140
			14.5				145
			14.6				146
			14.7				147
ø15	10.5	25	14.8	6	6	13.3	148
			14.9				149
			15.0				150

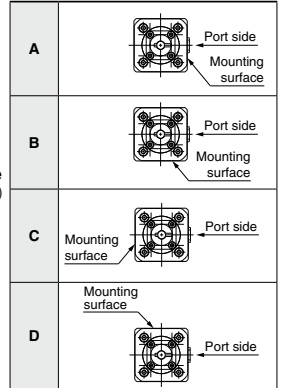
Hole diameter of workpiece	C	D	d	K	SR	Q	Model number
ø16	11.5	25	15.5	6	6.5	14.3	155
			15.6				156
			15.7				157
			15.8				158
			15.9				159
			16.0				160
			17.5				175
ø18	13	27	17.6	6	7.5	16.4	176
			17.7				177
			17.8				178
			17.9				179
			18.0				180
			19.5				195
			19.6				196
ø20	13	27	19.7	6	8	17.2	197
			19.8				198
			19.9				199
			20.0				200

**Dimensions**

**CKQG□32 (Clamping height HIGH type)** \* The figures below indicate the CKQGB32-□RCH-X2082.

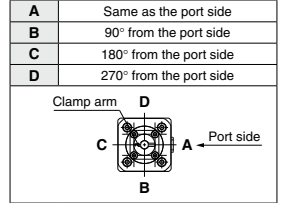


**Mounting surface position**



**Diamond cut shape**  
(Guide pin dia.: ø9.5 or more)

**Clamp arm position**



Hole diameter of workpiece	C	D	d	K	SR	Q	Model number
ø8	6	20	7.5	3.5	3.5	—	075
			7.6				076
			7.7				077
			7.8				078
			7.9				079
			8.0				080
ø9	6.5	20	8.5	4	4	—	085
			8.6				086
			8.7				087
			8.8				088
			8.9				089
			9.0				090
ø10	7.5	20	9.5	4	4.5	9.2	095
			9.6				096
			9.7				097
			9.8				098
			9.9				099
			10.0				100
ø11	7.5	20	10.5	4	4.5	9.8	105
			10.6				106
			10.7				107
			10.8				108
			10.9				109
			11.0				110

Hole diameter of workpiece	C	D	d	K	SR	Q	Model number
ø12	8.5	20	11.5	5	5	10.9	115
			11.6				116
			11.7				117
			11.8				118
			11.9				119
			12.0				120
ø13	8.5	20	12.5	5	5.5	11.6	125
			12.6				126
			12.7				127
			12.8				128
			12.9				129
			13.0				130
ø14	10.5	25	13.5	6	5.5	12.6	135
			13.6				136
			13.7				137
			13.8				138
			13.9				139
			14.0				140
ø15	10.5	25	14.5	6	6	13.3	145
			14.6				146
			14.7				147
			14.8				148
			14.9				149
			15.0				150

Hole diameter of workpiece	C	D	d	K	SR	Q	Model number
ø16	11.5	25	15.5	6	6.5	14.3	155
			15.6				156
			15.7				157
			15.8				158
			15.9				159
			16.0				160
ø18	13	27	17.5	6	7.5	16.4	175
			17.6				176
			17.7				177
			17.8				178
			17.9				179
			18.0				180
ø20	13	27	19.5	6	8	17.2	195
			19.6				196
			19.7				197
			19.8				198
			19.9				199
			20.0				200

**MK**

**MK2T**

**CK□1**

**CLK2**

**CLKG**

**CKO**

**CLKQ**

**CK□**

**CLK□**

**CK□**

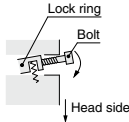
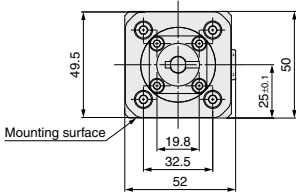
**D-□**

**-X□**

# C(L)KQG32 Series

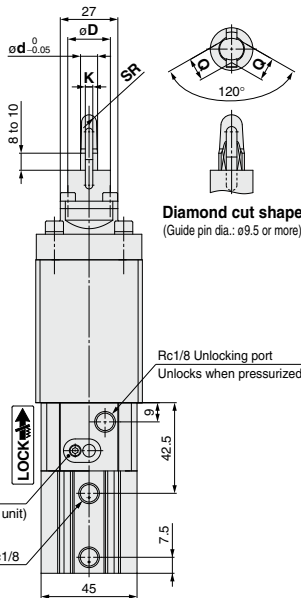
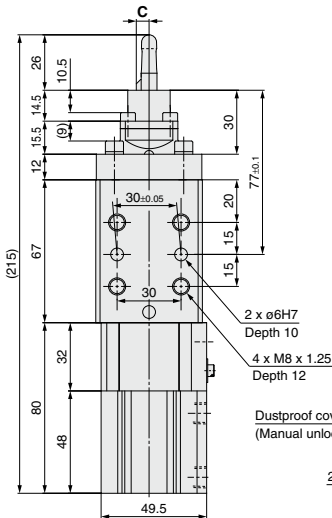
## Dimensions

CLKQG□32 (Clamping height LOW type) \* The figures below indicate the CLKQGB32-□RCL-X2081.



### Manually unlocking

- 1) Remove the dustproof cover.
- 2) Screw the commercially available bolt (M3 x 15 L or more) into the lock ring shown on the left and raise the lock ring toward the head side.
- 3) The lock ring and piston rod form a right angle, and the lock is released.



### Mounting surface position

A	
B	
C	
D	

### Clamp arm position

A	Same as the port side
B	90° from the port side
C	180° from the port side
D	270° from the port side

Hole diameter of workpiece	C	D	d	K	SR	Q	Model number
ø8	6	20	7.5	3.5	3.5	—	075
			7.6				076
			7.7				077
			7.8				078
			7.9				079
			8.0				080
ø9	6.5	20	8.5	4	4	—	085
			8.6				086
			8.7				087
			8.8				088
			8.9				089
			9.0				090
ø10	7.5	20	9.5	4	4.5	9.2	095
			9.6				096
			9.7				097
			9.8				098
			9.9				099
			10.0				100
ø11	7.5	20	10.5	4	4.5	9.8	105
			10.6				106
			10.7				107
			10.8				108
			10.9				109
			11.0				110

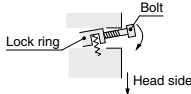
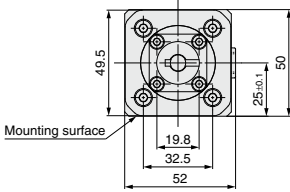
Hole diameter of workpiece	C	D	d	K	SR	Q	Model number
ø12	8.5	20	11.5	5	5	10.9	115
			11.6				116
			11.7				117
			11.8				118
			11.9				119
			12.0				120
ø13	8.5	20	12.5	5	5.5	11.6	125
			12.6				126
			12.7				127
			12.8				128
			12.9				129
			13.0				130
ø14	10.5	25	13.5	6	5.5	12.6	135
			13.6				136
			13.7				137
			13.8				138
			13.9				139
			14.0				140
ø15	10.5	25	14.5	6	6	13.3	145
			14.6				146
			14.7				147
			14.8				148
			14.9				149
			15.0				150

Hole diameter of workpiece	C	D	d	K	SR	Q	Model number
ø16	11.5	25	15.5	6	6.5	14.3	155
			15.6				156
			15.7				157
			15.8				158
			15.9				159
			16.0				160
ø18	13	27	17.5	6	7.5	16.4	175
			17.6				176
			17.7				177
			17.8				178
			17.9				179
			18.0				180
ø20	13	27	19.5	6	8	17.2	195
			19.6				196
			19.7				197
			19.8				198
			19.9				199
			20.0				200



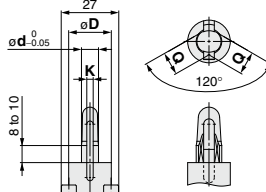
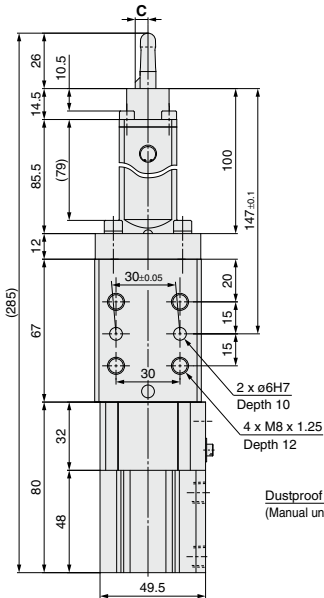
**Dimensions**

**CLKQG□32 (Clamping height HIGH type)** \* The figures below indicate the CLKQGB32-□RCH-X2082.

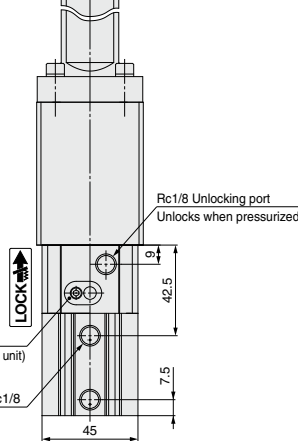


**Manually unlocking**

- 1) Remove the dustproof cover.
- 2) Screw the commercially available bolt (M3 x 15 L or more) into the lock ring shown on the left and raise the lock ring toward the head side.
- 3) The lock ring and piston rod form a right angle, and the lock is released.



**Diamond cut shape**  
(Guide pin dia.: ø9.5 or more)



**Mounting surface position**

<b>A</b>	
<b>B</b>	
<b>C</b>	
<b>D</b>	

**Clamp arm position**

<b>A</b>	Same as the port side
<b>B</b>	90° from the port side
<b>C</b>	180° from the port side
<b>D</b>	270° from the port side

Hole diameter of workpiece	C	D	d	K	SR	Q	Model number
ø8	6	20	7.5	3.5	3.5	—	075
			7.6				076
			7.7				077
			7.8				078
			7.9				079
ø9	6.5	20	8.0	4	4	—	080
			8.5				085
			8.6				086
			8.7				087
			8.8				088
ø10	7.5	20	8.9	4	4.5	9.2	089
			9.0				090
			9.5				095
			9.6				096
			9.7				097
ø11	7.5	20	9.8	4	4.5	9.8	098
			9.9				099
			10.0				100
			10.5				105
			10.6				106

Hole diameter of workpiece	C	D	d	K	SR	Q	Model number
ø12	8.5	20	11.5	5	5	10.9	115
			11.6				116
			11.7				117
			11.8				118
			11.9				119
ø13	8.5	20	12.0	5	5.5	11.6	120
			12.5				125
			12.6				126
			12.7				127
			12.8				128
ø14	10.5	25	12.9	6	5.5	12.6	129
			13.0				130
			13.5				135
			13.6				136
			13.7				137
ø15	10.5	25	13.8	6	6	13.3	138
			13.9				139
			14.0				140
			14.5				145
			14.6				146

Hole diameter of workpiece	C	D	d	K	SR	Q	Model number
ø16	11.5	25	15.5	6	6.5	14.3	155
			15.6				156
			15.7				157
			15.8				158
			15.9				159
ø18	13	27	16.0	6	7.5	16.4	160
			17.5				175
			17.6				176
			17.7				177
			17.8				178
ø20	13	27	17.9	6	8	17.2	179
			18.0				180
			19.5				195
			19.6				196
			19.7				197
ø20	13	27	19.8	6	8	17.2	198
			19.9				199
			20.0				200

**MK**

**MK2T**

**CK□1**

**CLK2**

**CLQG**

**CKO**

**CLKQ**

**CK□**

**CK□**

**CK□**

**D-□**

**-X□**

# Pin Clamp Cylinder Plate Cylinder Type

## Magnetic Field Resistant Auto Switch/Small Auto Switch Mounting

# C(L)KU32 Series

ø32

### How to Order

**Clamping height LOW type**

**Clamping height HIGH type**

**C L KU 32 - 075 R A L - P3DWASC - X2321**

**C L KU 32 - 075 R A H - M9BWV - X2322**



**With lock**

Nil	Without lock
L	With lock

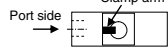
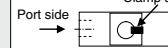
**Bore size**  
32 | Equiv. ø32 piston area

**Guide pin diameter**  
\* For guide pin diameter, refer to Table 1 on the next page.

**Guide pin shape**

R	Round type	D	Diamond type
			

**Clamp arm position (viewed from top)**

Symbol	Clamp arm position	Symbol	Clamp arm position
A	Same direction as the port side	B	Opposite direction of the port side
	Clamp arm		Clamp arm
			

**Number of auto switches**

Nil	2 pcs.
S	1 pc. (Unclamping side)

**Auto switch**

Nil	Without auto switch
-----	---------------------

\* For applicable auto switches, refer to the table below.

\* Auto switches and mounting brackets are shipped together, (but not assembled).  
 \* For the M9□WV, A73 and A79W, when the total thickness of clamped workpiece is over 2 mm, the auto switch may not be adjusted to the most sensitive position.  
 ▲ Small auto switches (D-M9□/D-A7□) cannot be used under strong magnetic field.

**Applicable Auto Switches**/Refer to pages 941 to 1067 for further information on auto switches.

#### Magnetic Field Resistant Auto Switch

Type	Auto switch model	Applicable magnetic field	Electrical entry	Indicator light	Wiring (Pin no. in use)	Load voltage	Lead wire length	Applicable load	
Solid state auto switch	D-P3DWASC	AC magnetic field (Single-phase AC welding magnetic field)	Pre-wired connector	2-color indicator	2-wire (3-4)	24 VDC	0.3 m	Relay, PLC (Note 1)	
	D-P3DWASE				2-wire (1-4)				
	D-P3DWA		Grommet		2-wire				3 m
	D-P3DWAL								
	D-P3DWAZ								

Note 1) PLC: Programmable Logic Controller

Note 2) There are applicable auto switches other than the listed above. For details, refer to the table below.

#### Small Auto Switch

Type	Special function	Electrical entry	Indicator light	Wiring (Output)	Load voltage		Auto switch model		Lead wire length [m]				Pre-wired connector	Applicable load
					DC	AC	Perpendicular	In-line	0.5 (Nil)	1 (M)	3 (L)	5 (Z)		
Solid state auto switch	—	Grommet	Yes	3-wire (NPN)	24 V	5 V, 12 V	—	M9NV	●	●	●	○	○	IC circuit
				3-wire (PNP)				M9PV	●	●	●	○	○	
				2-wire	M9BV	●	●	●	○	○				
	3-wire (NPN)			5 V, 12 V	M9NV	●	●	●	○	○	IC circuit			
	3-wire (PNP)				M9PV	●	●	●	○	○				
	2-wire			12 V	M9BWV	●	●	●	○	○				
Reed auto switch	Diagnostic indication (2-color indicator)	Grommet	Yes	2-wire	24 V	12 V	100 V	A73	●	—	●	—	—	Relay, PLC
								A79W	—	●	—	—	—	

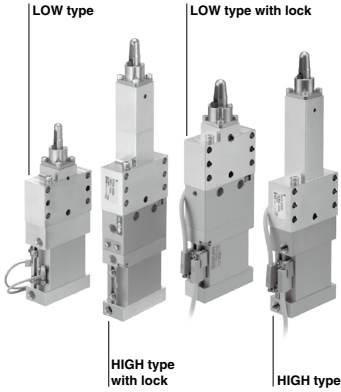
\* Solid state auto switches marked with "CO" are produced upon receipt of order.

\* The D-A9□ and A9□ cannot be mounted.

\* For details about auto switches with pre-wired connector, refer to pages 1014 and 1015.

\* Auto switches and mounting brackets are shipped together, (but not assembled).

\* Lead wire length symbols: 0.5 m..... Nil (Example) M9NVV  
 1 m..... M (Example) M9NVVM  
 3 m..... L (Example) M9NVVL  
 5 m..... L (Example) M9NVVZ



**Basic Specifications**

Model	C(L)KU32
Action	Double acting
Bore size [mm]	Equivalent to 32
Cylinder stroke/Clamp stroke [mm]	12.5 (Without workpiece)/10
Fluid	Air
Minimum operating pressure	CKU□: 0.1 MPa CLKU□: 0.15 MPa*
Maximum operating pressure	0.7 MPa
Ambient and fluid temperature	-10 to 60°C (No freezing)
Cushion	None
Lubrication	Non-lube
Piston speed (Clamp speed)	50 to 150 mm/sec
Port size (Cylinder port)	Rc1/8

\* Minimum operating pressure is 0.2 MPa when cylinder part and locking part use the same piping.

**Lock Specifications**

Locking action	Spring locking (Exhaust locking)
Unlocking pressure	0.2 MPa
Locking pressure	0.05 MPa
Locking direction	Unclamp direction locking
Port size (Lock release port)	Rc1/8
Holding force (Maximum static load)	402 N

**Clamping Force**

Model	Guide pin diameter [mm]	Operating pressure [MPa]					
		0.2	0.3	0.4	0.5	0.6	0.7
C(L)KU32	ø7.5 to ø20.0	130	195	260	325	390	455

Note 1) It takes approximately 0.3 seconds for the cylinder to operate to generate clamping force from an unclamping state (when no speed controller is installed). Design circuit taking into consideration the time before the clamping force is generated.

Note 2) Determine the clamping force according to the strength of the workpiece. It can be damaged if the clamping force is too large.

Note 3) Guide pins and clamp arms are consumable items. Please prepare spare parts in case they are damaged. It is recommended to prepare spare parts for guide pins and clamp arms, especially for products used in workpieces with ø12 or less hole diameters.

**Table 1. Guide Pin Diameter**

Symbol	<b>075 076 077 078 079 080 085 086 087 088 089 090 095 096 097 098 099 100 105 106 107 108 109 110</b>
Guide pin diameter [mm]	7.5 7.6 7.7 7.8 7.9 8.0 8.5 8.6 8.7 8.8 8.9 9.0 9.5 9.6 9.7 9.8 9.9 10.0 10.5 10.6 10.7 10.8 10.9 11.0
Applicable hole diameter of workpiece [mm]	For ø8 For ø9 For ø10 For ø11
Guide pin shape	Round type Round type/Diamond type
Symbol	<b>115 116 117 118 119 120 125 126 127 128 129 130 135 136 137 138 139 140 145 146 147 148 149 150</b>
Guide pin diameter [mm]	11.5 11.6 11.7 11.8 11.9 12.0 12.5 12.6 12.7 12.8 12.9 13.0 13.5 13.6 13.7 13.8 13.9 14.0 14.5 14.6 14.7 14.8 14.9 15.0
Applicable hole diameter of workpiece [mm]	For ø12 For ø13 For ø14 For ø15
Guide pin shape	Round type/Diamond type
Symbol	<b>155 156 157 158 159 160 175 176 177 178 179 180 195 196 197 198 199 200</b>
Guide pin diameter [mm]	15.5 15.6 15.7 15.8 15.9 16.0 17.5 17.6 17.7 17.8 17.9 18.0 19.5 19.6 19.7 19.8 19.9 20.0
Applicable hole diameter of workpiece [mm]	For ø16 For ø18 For ø20
Guide pin shape	Round type/Diamond type

**Weight**

Model		CKU32		CLKU32	
		-X2321	-X2322	-X2321	-X2322
Guide pin diameter [mm]	ø7.5 to ø8.0	740	910	950	1120
	ø8.5 to ø9.0				
	ø9.5 to ø10.0				
	ø10.5 to ø11.0				
	ø11.5 to ø12.0				
	ø12.5 to ø13.0	780	950	990	1160
	ø13.5 to ø14.0				
	ø14.5 to ø15.0				
	ø15.5 to ø16.0				
	ø17.5 to ø18.0				
ø19.5 to ø20.0	790	960	1000	1170	

MK

MK2T

CKU□1

CLK2

CLKG

CKO

CLKQ

CKI□

CLK□

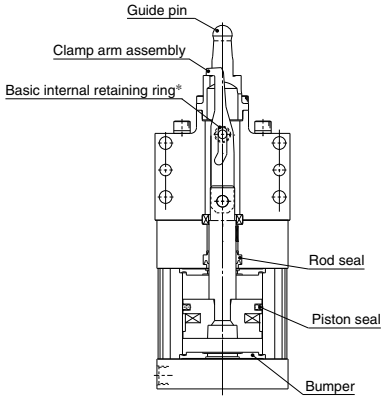
CKU□

D-□

-X□

# C(L)KU32 Series

## Replacement Parts



CKU32-120R□L-X2321

### ■ Seal Kit (For type without lock only)

Kit no.	Contents
MUB32-PS	① Piston seal ② Rod seal ③ Bumper

\* Seal kit includes ①, ②, ③. Since the seal kit does not include a grease pack, order the "Grease Pack" below separately.

\* CLKU cannot be disassembled and therefore no seal kit is available.

### ■ Grease Pack

Kit no.	Contents
GR-S-010	Grease 10 g

\* Please consult with SMC when replacing the actuating cylinders.

### ■ Shim (Option)

Refer to page 543 for details about part numbers and dimensions.

### ■ Guide Pin Order No.

CKQG32X-**075** **R**

Guide pin diameter

\* Refer to Table 1 (Symbol 2) below.

Guide pin shape

	Round type	Diamond type
<b>R</b>		

### ■ Clamp Arm Assembly Order No.

CKQG32X-**08** **B**

Applicable hole diameter of workpiece

\* Refer to Table 1 (Symbol 1) below.

Clamp arm assembly

\* The clamp arm includes a basic internal retaining ring.

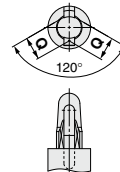
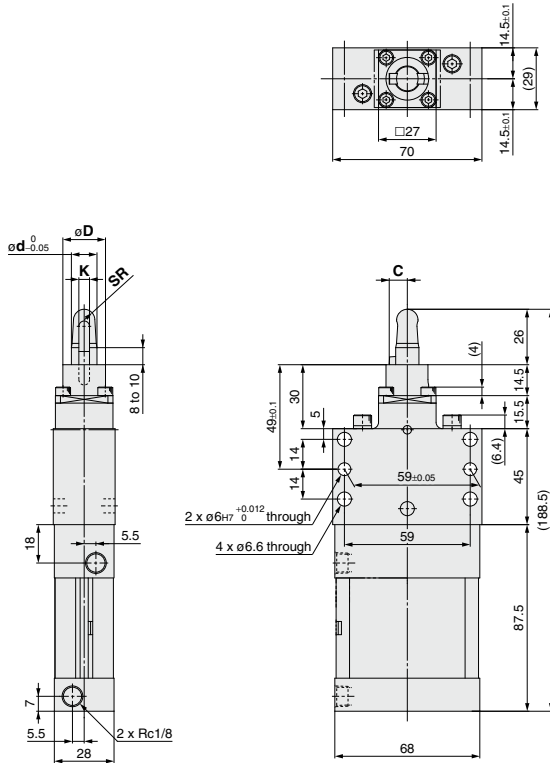
Table 1. Guide Pin Diameter/Applicable Hole Diameter of Workpiece

Symbol 1	Applicable hole diameter of workpiece	Symbol 2	Guide pin diameter	Shape	Symbol 1	Applicable hole diameter of workpiece	Symbol 2	Guide pin diameter	Shape	Symbol 1	Applicable hole diameter of workpiece	Symbol 2	Guide pin diameter	Shape
08	8	075	7.5	Round type	12	12	115	11.5	Round type	16	16	155	15.5	Round type
		076	7.6				116	11.6				156	15.6	
		077	7.7				117	11.7				157	15.7	
		078	7.8				118	11.8				158	15.8	
		079	7.9				119	11.9				159	15.9	
		080	8.0				120	12.0				160	16.0	
09	9	085	8.5	Round type	13	13	125	12.5	Round type	18	18	175	17.5	Diamond type
		086	8.6				126	12.6				176	17.6	
		087	8.7				127	12.7				177	17.7	
		088	8.8				128	12.8				178	17.8	
		089	8.9				129	12.9				179	17.9	
		090	9.0				130	13.0				180	18.0	
10	10	095	9.5	Round type	14	14	135	13.5	Diamond type	20	20	195	19.5	
		096	9.6				136	13.6				196	19.6	
		097	9.7				137	13.7				197	19.7	
		098	9.8				138	13.8				198	19.8	
		099	9.9				139	13.9				199	19.9	
		100	10.0				140	14.0				200	20.0	
11	11	105	10.5	Diamond type	15	15	145	14.5				200	20.0	
		106	10.6				146	14.6						
		107	10.7				147	14.7						
		108	10.8				148	14.8						
		109	10.9				149	14.9						
		110	11.0				150	15.0						

**Pin Clamp Cylinder Plate Cylinder Type Magnetic Field Resistant Auto Switch/Small Auto Switch Mounting *C(L)KU32 Series***

**Dimensions**

**CKU32 (Clamping height LOW type)** \* Refer to "How to Order" for positional relationship of the mounting surface and port.  
 \* The figures below indicate the CKU32-□RAL-X2321.



**Diamond cut shape**  
 (Guide pin dia.: ø9.5 or more)

**Clamp arm position**

<b>A</b>	Same as the port side
<b>B</b>	Opposite side of the port

Hole diameter of workpiece	C	D	d	K	SR	Q	Model number
ø8	6	20	7.5	3.5	3.5	—	075
			7.6				076
			7.7				077
			7.8				078
			7.9				079
			8.0				080
			8.5				085
ø9	6.5	20	8.6	4	4	—	086
			8.7				087
			8.8				088
			8.9				089
			9.0				090
			9.5				095
			9.6				096
ø10	7.5	20	9.7	4	4.5	9.2	097
			9.8				098
			9.9				099
			10.0				100
			10.5				105
			10.6				106
			10.7				107
ø11	7.5	20	10.8	4	4.5	9.8	108
			10.9				109
			11.0				110

Hole diameter of workpiece	C	D	d	K	SR	Q	Model number
ø12	8.5	20	11.5	5	5	10.9	115
			11.6				116
			11.7				117
			11.8				118
			11.9				119
			12.0				120
			12.5				125
ø13	8.5	20	12.6	5	5.5	11.6	126
			12.7				127
			12.8				128
			12.9				129
			13.0				130
			13.5				135
			13.6				136
ø14	10.5	25	13.7	6	5.5	12.6	137
			13.8				138
			13.9				139
			14.0				140
			14.5				145
			14.6				146
			14.7				147
ø15	10.5	25	14.8	6	6	13.3	148
			14.9				149
			15.0				150

Hole diameter of workpiece	C	D	d	K	SR	Q	Model number
ø16	11.5	25	15.5	6	6.5	14.3	155
			15.6				156
			15.7				157
			15.8				158
			15.9				159
			16.0				160
			17.5				175
ø18	13	27	17.6	6	7.5	16.4	176
			17.7				177
			17.8				178
			17.9				179
			18.0				180
			19.5				195
			19.6				196
ø20	13	27	19.7	6	8	17.2	197
			19.8				198
			19.9				199
			20.0				200

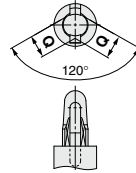
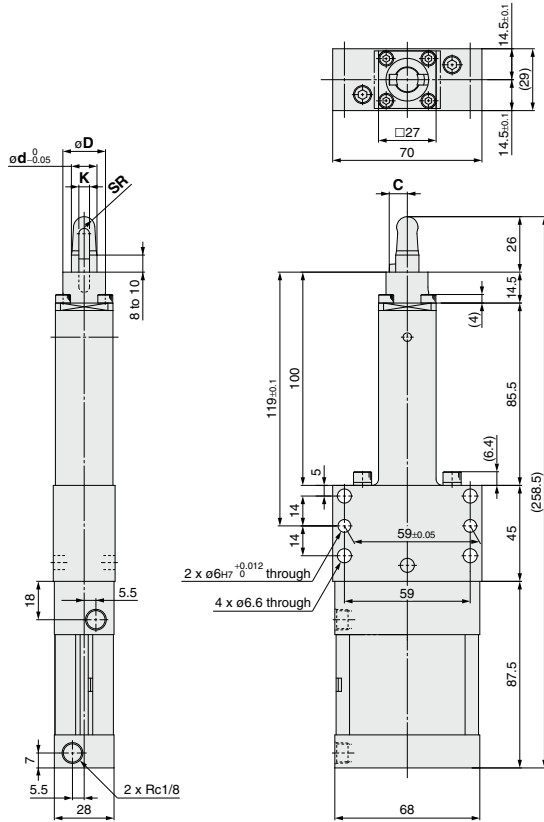
- MK
- MK2T
- CK□1
- CLK2
- CLQG
- CKQ
- CLKQ
- CKQ□

- D-□
- X□

# C(L)KU32 Series

## Dimensions

**CKU32 (Clamping height HIGH type)** \* Refer to "How to Order" for positional relationship of the mounting surface and port.  
 \* The figures below indicate the CKU32-□RAH-X2322.



**Diamond cut shape**  
 (Guide pin dia.:  $\phi 9.5$  or more)

### Clamp arm position

<b>A</b>	Same as the port side
<b>B</b>	Opposite side of the port

Hole diameter of workpiece	C	D	d	K	SR	Q	Model number
$\phi 8$	6	20	7.5	3.5	3.5	—	075
			7.6				076
			7.7				077
			7.8				078
			7.9				079
			8.0				080
$\phi 9$	6.5	20	8.5	4	4	—	085
			8.6				086
			8.7				087
			8.8				088
			8.9				089
			9.0				090
$\phi 10$	7.5	20	9.5	4	4.5	9.2	095
			9.6				096
			9.7				097
			9.8				098
			9.9				099
			10.0				100
$\phi 11$	7.5	20	10.5	4	4.5	9.8	105
			10.6				106
			10.7				107
			10.8				108
			10.9				109
			11.0				110

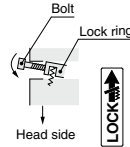
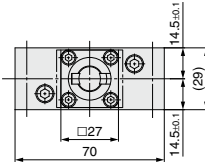
Hole diameter of workpiece	C	D	d	K	SR	Q	Model number
$\phi 12$	8.5	20	11.5	5	5	10.9	115
			11.6				116
			11.7				117
			11.8				118
			11.9				119
			12.0				120
$\phi 13$	8.5	20	12.5	5	5.5	11.6	125
			12.6				126
			12.7				127
			12.8				128
			12.9				129
			13.0				130
$\phi 14$	10.5	25	13.5	6	5.5	12.6	135
			13.6				136
			13.7				137
			13.8				138
			13.9				139
			14.0				140
$\phi 15$	10.5	25	14.5	6	6	13.3	145
			14.6				146
			14.7				147
			14.8				148
			14.9				149
			15.0				150

Hole diameter of workpiece	C	D	d	K	SR	Q	Model number
$\phi 16$	11.5	25	15.5	6	6.5	14.3	155
			15.6				156
			15.7				157
			15.8				158
			15.9				159
			16.0				160
$\phi 18$	13	27	17.5	6	7.5	16.4	175
			17.6				176
			17.7				177
			17.8				178
			17.9				179
			18.0				180
$\phi 20$	13	27	19.5	6	8	17.2	195
			19.6				196
			19.7				197
			19.8				198
			19.9				199
			20.0				200

**Pin Clamp Cylinder Plate Cylinder Type Magnetic Field Resistant Auto Switch/Small Auto Switch Mounting *C(L)KU32 Series***

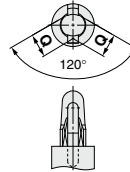
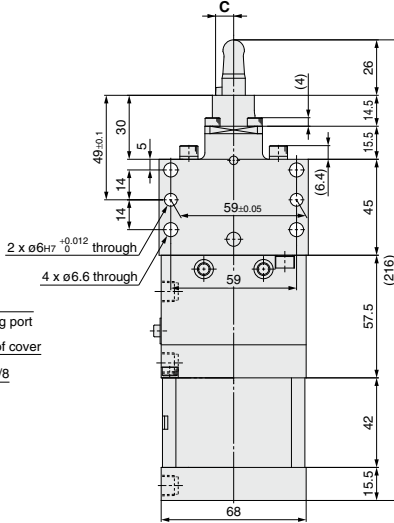
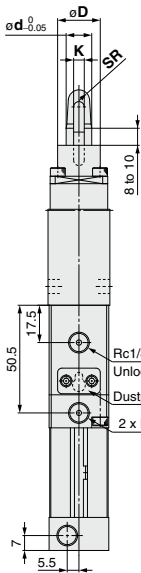
**Dimensions**

**CLKU32 (Clamping height LOW type)** \* Refer to "How to Order" for positional relationship of the mounting surface and port.  
 \* The figures below indicate the CLKU32-□RAL-X2321.



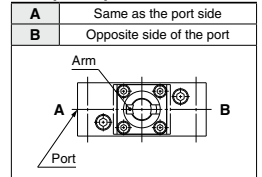
**Manually unlocking**

- 1) Remove the dustproof cover.
- 2) Screw the commercially available bolt (M3 x 25 L or more) into the lock ring shown on the left and raise the lock ring toward the head side.
- 3) The lock ring and piston rod form a right angle, and the lock is released.



**Diamond cut shape**  
 (Guide pin dia.:  $\phi 11.5$  or more)

**Clamp arm position**



Hole diameter of workpiece	C	D	d	K	SR	Q	Model number
$\phi 8$	6	20	7.5	3.5	3.5	—	075
			7.6				076
			7.7				077
			7.8				078
			7.9				079
			8.0				080
			8.5				085
$\phi 9$	6.5	20	8.7	4	4	—	086
			8.8				087
			8.9				088
			9.0				089
			9.5				090
			9.9				095
			10.0				096
$\phi 10$	7.5	20	9.7	4	4.5	9.2	097
			9.8				098
			9.9				099
			10.0				100
			10.5				105
			10.6				106
			10.7				107
$\phi 11$	7.5	20	10.7	4	4.5	9.8	108
			10.8				109
			10.9				109
			11.0				110

Hole diameter of workpiece	C	D	d	K	SR	Q	Model number
$\phi 12$	8.5	20	11.5	5	5	10.9	115
			11.6				116
			11.7				117
			11.8				118
			11.9				119
			12.0				120
			12.5				125
$\phi 13$	8.5	20	12.7	5	5.5	11.6	126
			12.8				127
			12.9				128
			13.0				129
			13.5				130
			13.6				135
			13.7				136
$\phi 14$	10.5	25	13.7	6	5.5	12.6	137
			13.8				138
			13.9				139
			14.0				140
			14.5				145
			14.6				146
			14.7				147
$\phi 15$	10.5	25	14.7	6	6	13.3	148
			14.8				149
			14.9				149
			15.0				150

Hole diameter of workpiece	C	D	d	K	SR	Q	Model number
$\phi 16$	11.5	25	15.5	6	6.5	14.3	155
			15.6				156
			15.7				157
			15.8				158
			15.9				159
			16.0				160
			17.5				175
$\phi 18$	13	27	17.6	6	7.5	16.4	176
			17.7				177
			17.8				178
			17.9				179
			18.0				180
			19.5				195
			19.6				196
$\phi 20$	13	27	19.7	6	8	17.2	197
			19.8				198
			19.9				199
			20.0				200

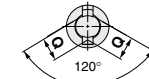
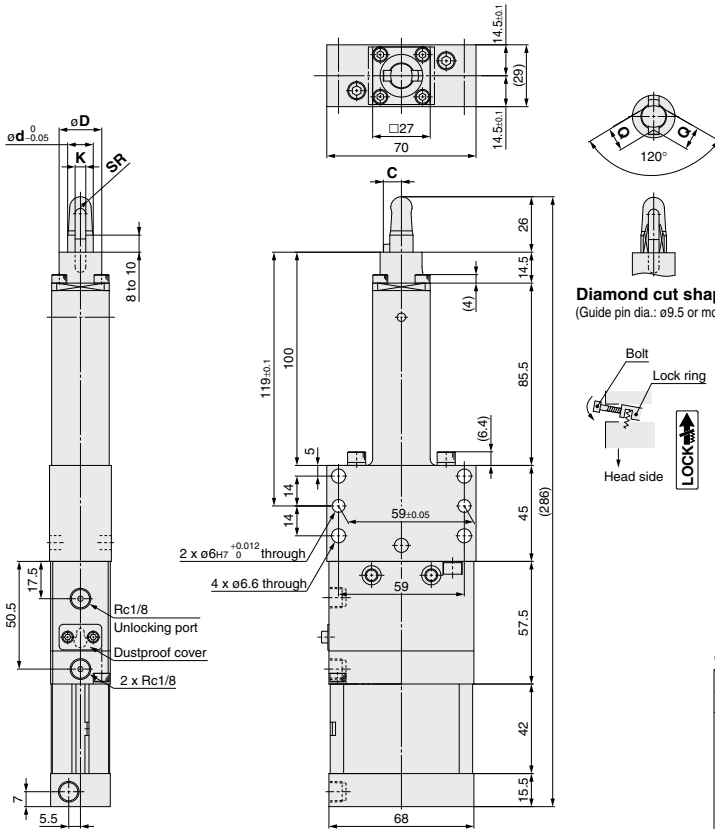
- MK
- MK2T
- CK□1
- CLK2
- CLQG
- CKQ
- CLKQ
- CK□
- CKQ□

- D-□
- X□

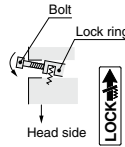
# C(L)KU32 Series

## Dimensions

**CLKU32 (Clamping height HIGH type)** \* Refer to "How to Order" for positional relationship of the mounting surface and port.  
 \* The figures below indicate the CLKU32-□RAH-X2322.



**Diamond cut shape**  
 (Guide pin dia.: ø9.5 or more)



### Manually unlocking

- 1) Remove the dustproof cover.
- 2) Screw the commercially available bolt (M3 x 25 L or more) into the lock ring shown on the left and raise the lock ring toward the head side.
- 3) The lock ring and piston rod form a right angle, and the lock is released.

### Clamp arm position

A	Same as the port side
B	Opposite side of the port

Hole diameter of workpiece	C	D	d	K	SR	Q	Model number
ø8	6	20	7.5	3.5	3.5	—	075
			7.6				076
			7.7				077
			7.8				078
			7.9				079
			8.0				080
			8.5				085
ø9	6.5	20	8.6	4	4	—	086
			8.7				087
			8.8				088
			8.9				089
			9.0				090
			9.5				095
			9.6				096
ø10	7.5	20	9.7	4	4.5	9.2	097
			9.8				098
			9.9				099
			10.0				100
			10.5				105
			10.6				106
			10.7				107
ø11	7.5	20	10.8	4	4.5	9.8	108
			10.9				109
			11.0				110

Hole diameter of workpiece	C	D	d	K	SR	Q	Model number
ø12	8.5	20	11.5	5	5	10.9	115
			11.6				116
			11.7				117
			11.8				118
			11.9				119
			12.0				120
			12.5				125
ø13	8.5	20	12.6	5	5.5	11.6	126
			12.7				127
			12.8				128
			12.9				129
			13.0				130
			13.5				135
			13.6				136
ø14	10.5	25	13.7	6	5.5	12.6	137
			13.8				138
			13.9				139
			14.0				140
			14.5				145
			14.6				146
			14.7				147
ø15	10.5	25	14.8	6	6	13.3	148
			14.9				149
			15.0				150

Hole diameter of workpiece	C	D	d	K	SR	Q	Model number
ø16	11.5	25	15.5	6	6.5	14.3	155
			15.6				156
			15.7				157
			15.8				158
			15.9				159
			16.0				160
			17.5				175
ø18	13	27	17.6	6	7.5	16.4	176
			17.7				177
			17.8				178
			17.9				179
			18.0				180
			19.5				195
			19.6				196
ø20	13	27	19.7	6	8	17.2	197
			19.8				198
			19.9				199
			20.0				200



# C(L)KQG32/C(L)KU32 Series Options

## Dimensions

### Shim

C(L)KQG32-X2081

LOW type

C(L)KQG32-X2082

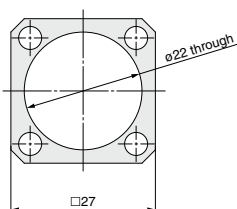
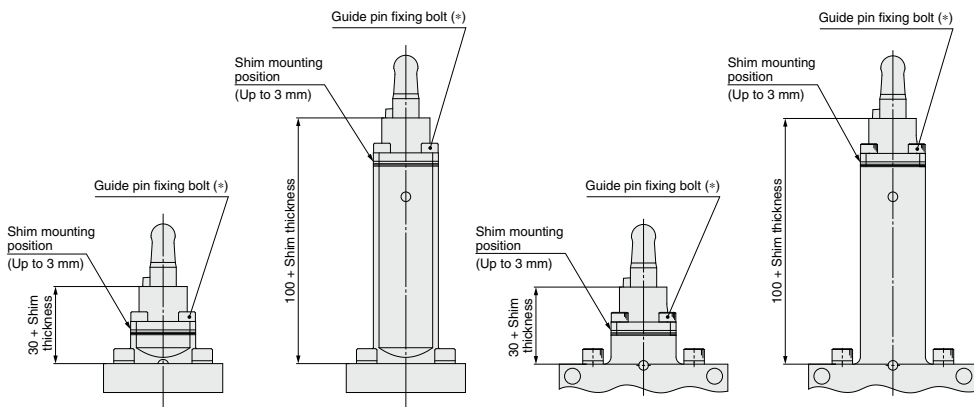
HIGH type

C(L)KU32-X2321

LOW type

C(L)KU32-X2322

HIGH type



Shim dimensions

- Shims can be mounted up to 3 mm.  
However, when mounting 2 mm or more shims, use the above guide pin fixing long bolt instead of a guide pin fixing bolt (marked with \*).
- For auto switches (except the M9□V), when the total thickness of shims and a workpiece is over 2 mm, the auto switch may not be adjusted to the most sensitive position.

MK

MK2T

CK□1

CLK2

CLKG

CKQ

CLKQ

CK□

CLK□

CKQ□

Description	Part no.	Note
Shim A	<b>CKQ32-36A746MN</b>	Plate thickness 1 [mm]
Shim B	<b>CKQ32-36B746MN</b>	Plate thickness 0.5 [mm]
Guide pin fixing long bolt	<b>CA00644</b>	Bolt size M4 x 12 L

D-□

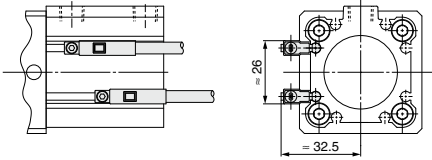
-X□

# C(L)KQG32 Series Auto Switch Mounting 1

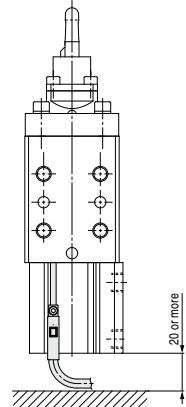
## Auto Switch Mounting Height

Applicable cylinder: C(L)KQG32-X2081  
C(L)KQG32-X2082

D-P3DWA□

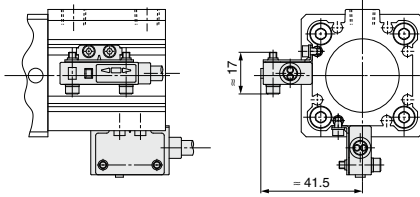


For D-P3DWA□

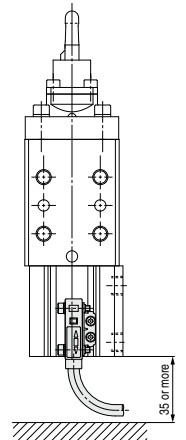


Note) Allow 20 mm or more space at the cylinder head side to secure the minimum bending radius of the auto switch lead wire.

D-P4DW□

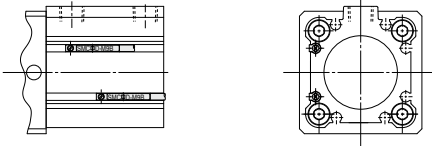


For D-P4DW□

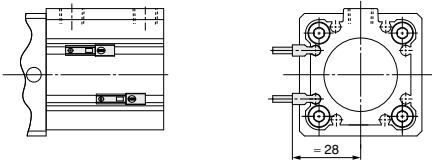


Note) Allow 35 mm or more space at the cylinder head side to secure the minimum bending radius of the auto switch lead wire.

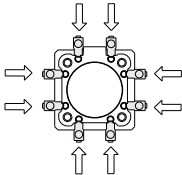
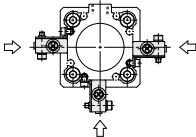
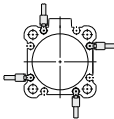
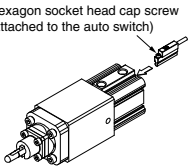
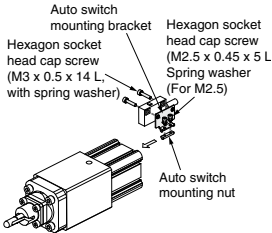
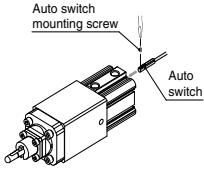
D-M9□  
D-M9□W  
D-A9□



D-M9□V  
D-M9□WV  
D-A9□V



## Auto Switch Mounting Bracket Part No./Mounting Method

Applicable cylinder	C(L)KQG32-X2081, -X2082								
Applicable auto switches	D-P3DWA□	D-P4DW□	D-M9□(V), D-M9□W(V), D-M9□A(V) D-A9□(V)						
Bore size [mm]	φ32								
Auto switch mounting bracket part no.	BQ7-032								
Auto switch mounting bracket fitting parts lineup/Weight	—	<ul style="list-style-type: none"> <li>Auto switch mounting bracket</li> <li>Auto switch mounting nut</li> <li>Hexagon socket head cap screw (M3 x 0.5 x 14 L, with spring washer)</li> <li>Hexagon socket head cap screw (M2.5 x 0.45 x 5 L)</li> <li>Spring washer (For M2.5)</li> </ul> Weight: 8.5 g	—						
Auto switch mounting surfaces	Surfaces with auto switch mounting slot   <p style="text-align: center;">* When mounting on the port side, select fittings with width across 12 mm or less.</p>	Surfaces with auto switch mounting slot  	Surfaces with auto switch mounting slot  						
Mounting of auto switch	<ol style="list-style-type: none"> <li>① Insert the auto switch into the mating groove of the cylinder tube.</li> <li>② Check the detecting position of the auto switch and fix the auto switch firmly with the hexagon socket head cap screw (attached to the auto switch).</li> </ol> <p>Note) The tightening torque for the hexagon socket head cap screw is 0.2 to 0.3 N·m.</p>  <p style="text-align: center;">Hexagon socket head cap screw (attached to the auto switch)</p>	<ol style="list-style-type: none"> <li>① Fix the auto switch and the auto switch mounting bracket temporarily with the hexagon socket head cap screws (M3 x 14 L).</li> <li>② Insert the hexagon socket head cap screws (M2.5 x 5 L) into the spring washers (for M2.5), and tighten the auto switch mounting bracket and auto switch mounting nut temporarily.</li> <li>③ Insert the temporarily fixed auto switch mounting nut into the mating groove of the cylinder tube.</li> <li>④ Check the detecting position of the auto switch and fix the auto switch firmly with the hexagon socket head cap screw (M2.5 x 5 L, M3 x 14 L).</li> </ol> <p>Note 1) The tightening torque for the hexagon socket head cap screw (M3 x 14 L) is 0.5 to 0.6 N·m.</p> <p>Note 2) The tightening torque for the hexagon socket head cap screw (M2.5 x 5 L) is 0.25 to 0.35 N·m.</p>  <p style="text-align: center;">Auto switch mounting bracket    Hexagon socket head cap screw (M2.5 x 0.45 x 5 L) Hexagon socket head cap screw (M3 x 0.5 x 14 L, with spring washer)    Spring washer (For M2.5)</p>	 <p style="text-align: center;">Auto switch mounting screw    Auto switch</p> <ul style="list-style-type: none"> <li>When tightening the auto switch mounting screw, use a watchmakers' screwdriver with a handle 5 to 6 mm in diameter.</li> </ul> <p><b>Tightening Torque for Auto Switch Mounting Screw</b> [N·m]</p> <table border="1" style="width: 100%; border-collapse: collapse;"> <thead> <tr> <th style="text-align: left;">Auto switch model</th> <th style="text-align: left;">Tightening torque</th> </tr> </thead> <tbody> <tr> <td>D-A9□(V) (Excluding D-A93)</td> <td>0.10 to 0.20</td> </tr> <tr> <td>D-M9□(V) D-M9□W(V) D-M9□A(V) D-A93</td> <td>0.05 to 0.15</td> </tr> </tbody> </table>	Auto switch model	Tightening torque	D-A9□(V) (Excluding D-A93)	0.10 to 0.20	D-M9□(V) D-M9□W(V) D-M9□A(V) D-A93	0.05 to 0.15
Auto switch model	Tightening torque								
D-A9□(V) (Excluding D-A93)	0.10 to 0.20								
D-M9□(V) D-M9□W(V) D-M9□A(V) D-A93	0.05 to 0.15								

MK

MK2T

CK□1

CLK2

CLKG

CKO

CLKQ

CK□

CLK□

CKQ□

D-□

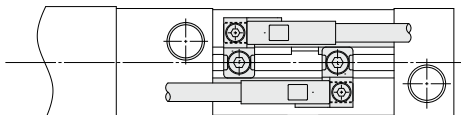
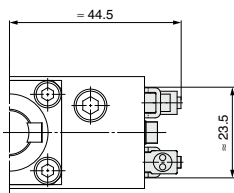
-X□

# C(L)KU32 Series Auto Switch Mounting 2

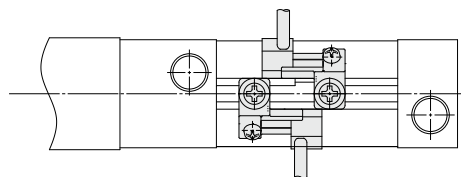
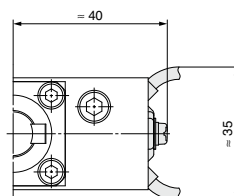
## Auto Switch Mounting Height

Applicable cylinder: C(L)KU32-X2321  
C(L)KU32-X2322

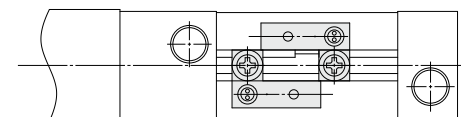
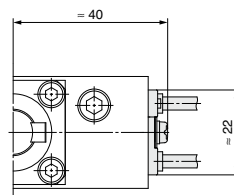
D-P3DWA□



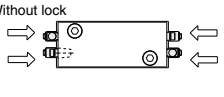
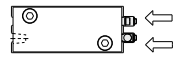
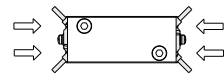
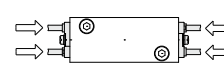
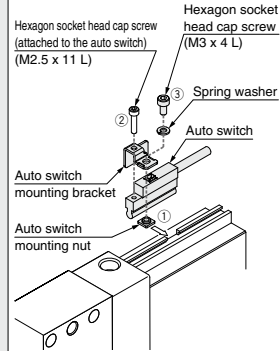
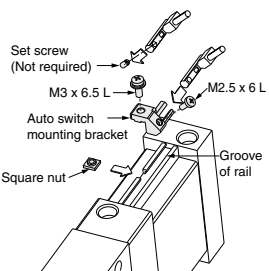
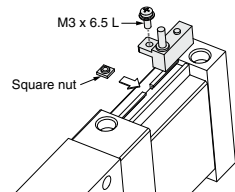
D-M9□V  
D-M9□WV



D-A7□



## Auto Switch Mounting Bracket Part No./Mounting Method

Applicable cylinder	-X2321/-X2322	-X2321/-X2322	-X2321/-X2322
Applicable auto switches	D-P3DWA□	D-M9□V/M9□WV	D-A73/A79W
Bore size [mm]	φ32	φ32	φ32
Auto switch mounting bracket part no.	BMU4-040S	BMU1-025 (Below ①, ②) BQ2-012 (Below ③, ④)	BMU1-025
Auto switch mounting bracket fitting parts lineup/Weight	①Hexagon socket head cap screw (M3 x 4 L) ②Auto switch mounting nut ③Spring washer (M3) ④Auto switch mounting bracket Weight: 4 g	①Cross recessed round head screw (M3 x 6.5 L) ②Square nut ③Auto switch mounting bracket ④Round head combination screw (M2.5 x 6 L) Weight: 5 g	• Cross recessed round head screw (M3 x 6.5 L) • Square nut Weight: 2 g
Auto switch mounting surfaces	Surfaces with auto switch mounting slot  <div style="display: flex; justify-content: space-around;"> <div style="text-align: center;"> <p>Without lock</p>  </div> <div style="text-align: center;"> <p>With lock</p>  </div> </div>	Surfaces with auto switch mounting slot  	Surfaces with auto switch mounting slot  
Mounting of auto switch	①Remove the screw (M2.5 x 11 L) attached to the auto switch temporarily. ②Insert the temporarily removed screw into the auto switch mounting bracket, and fix the bracket on the auto switch. ③Slide the auto switch mounting nut into the groove of the rail, and fix the auto switch mounting bracket on the cylinder with the hexagon socket head cap screw (M3 x 4 L) and spring washer (M3).  Note) The tightening torque for the hexagon socket head cap screw (M2.5 x 11 L) is 0.2 to 0.3 N·m. The tightening torque for the hexagon socket head cap screw (M3 x 4 L) is 0.5 to 0.7 N·m. <div style="text-align: center;">  </div>	①Remove the set screw attached to the auto switch. (The set screw is not required.) ②Fix the auto switch to the auto switch mounting bracket with the round head combination screw (M2.5 x 6 L). ③Slide the square nut into the groove of the rail, and fix the auto switch mounting bracket on the cylinder with the cross recessed round head screw (M3 x 6.5 L).  Note) The tightening torque for the round head combination screw (M2.5 x 6 L) is 0.1 to 0.2 N·m and for the cross recessed round head screw (M3 x 6.5 L) is 0.5 to 0.7 N·m. <div style="text-align: center;">  </div>	①Slide the square nut into the groove of the rail, and fix the auto switch on the cylinder with the cross recessed round head screw (M3 x 6.5 L).  Note) The tightening torque for the cross recessed round head screw (M3 x 6.5 L) is 0.5 to 0.7 N·m. <div style="text-align: center;">  </div>

**MK**

**MK2T**

**CK□1**

**CLK2**

**CLKG**

**CKO**

**CLK□**

**CK□**

**CK□**

**D-□**

**-X□**