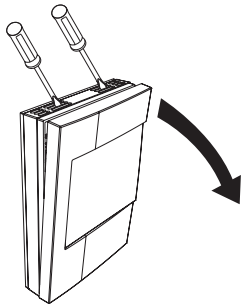


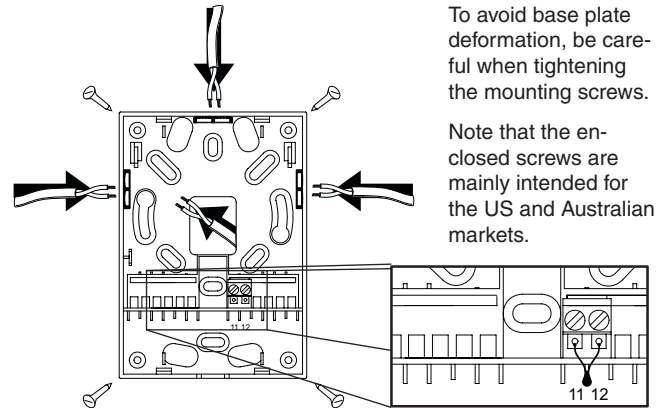
**ATTACHING/REMOVING THE FRONT**

The front is attached to the base-plate using four clamps, two at the top of the front panel and two at the bottom.

When removing the front-panel use a screwdriver (or similar) and push gently to unhook the clamps at the top and bottom of the front panel.

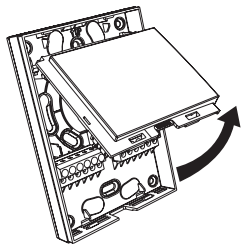


**MOUNTING, CABLES**

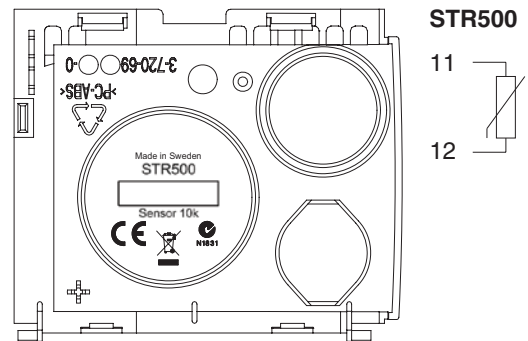


**REMOVING THE CORE**

The core panel is attached to the base-plate using two hinges. Remove the core panel by pushing the bottom of the core panel upwards, then unhinging the core panel from the base-plate.



**CONNECTING**



For more information visit  
[www.schneider-electric.com/buildings](http://www.schneider-electric.com/buildings)