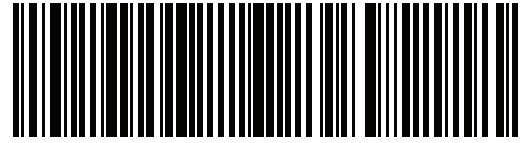


SurgeLogic™



ENGLISH

NQ SurgeLoc™ Brick Assembly Surge Protective Devices (SPDs)

Instruction Bulletin

8400-0002

Rev. 06, 02/2021

Retain for future use.



Table of Contents

ENGLISH

- Table of Contents 3
- Safety Information 5
 - Important Information 5
 - Please Note 5
- Precautions 6
- Introduction 7
 - Unpacking and Preliminary Inspection 8
 - Storage 8
 - Safety Labels 8
- Surge Protective Device (SPD) Location Considerations 8
 - Environment 8
 - Audible Noise 8
 - Mounting 8
 - Service Clearance 8
 - Equipment Performance 8
- Electrical..... 9
 - Voltage Rating 9
 - Terminals, Wire Size, and Installation Torque 10
 - Branch Circuit Overcurrent Protection 10
 - Location of Surge Protective Device (SPD) 10
- Grounding..... 11
 - General 11
 - Solidly-Grounded Power Systems 11
- Installation 12
 - SurgeLoc Assembly Installation 12
 - Connecting SPD Directly to the Bus 14
 - Connecting SPD Through an OCPD (Disconnecter) 15
 - SurgeLoc Assembly Removal 17
 - Dimensions and Weights 19
 - Wiring Diagrams without Circuit Breaker Connection Switch 20
 - Wiring Diagrams with Circuit Breaker Connection Switch 21
 - Operation 22
 - LED Status Indicators 22
 - Audible Alarm 22

ENGLISH

Surge Counter 22

Dry Contacts 23

Remote Monitor Option 23

Maintenance and Troubleshooting..... 24

..... 24

Preventative Maintenance 25

Troubleshooting 25

Safety Information

Important Information

Read these instructions carefully and look at the equipment to become familiar with the device before trying to install, operate, service, or maintain it. The following special messages may appear throughout this bulletin or on the equipment to warn of hazards or to call attention to information that clarifies or simplifies a procedure.



The addition of either symbol to a “Danger” or “Warning” safety label indicates that an electrical hazard exists which will result in personal injury if the instructions are not followed.



This is the safety alert symbol. It is used to alert you to personal injury hazards. Obey all safety messages that follow this symbol to avoid possible injury or death.

⚠️⚠️ DANGER
DANGER indicates a hazardous situation which, if not avoided, will result in death or serious injury.

⚠️ WARNING
WARNING indicates a hazardous situation which, if not avoided, could result in death or serious injury.

⚠️ CAUTION
CAUTION indicates a hazardous situation which, if not avoided, could result in minor or moderate injury.

CAUTION
NOTICE is used to address practices not related to physical injury. The safety alert symbol is not used with this signal word.

Please Note

Electrical equipment should be installed, operated, serviced, and maintained only by qualified personnel. No responsibility is assumed by Schneider Electric for any consequences arising out of the use of this material.

A qualified person is one who has skills and knowledge related to the construction, installation, and operation of electrical equipment and has received safety training to recognize and avoid the hazards involved.

Precautions



WARNING: This product can expose you to chemicals including DINP, which is known to the State of California to cause cancer, and DIDP, which is known to the State of California to cause birth defects or other reproductive harm. For more information go to www.P65Warnings.ca.gov.

DANGER

HAZARD OF ELECTRIC SHOCK, EXPLOSION, OR ARC FLASH

- Apply appropriate personal protective equipment (PPE) and follow safe electrical work practices. See NFPA 70E or CSA Z462.
- This equipment must only be installed and serviced by qualified electrical personnel.
- Turn off all power supplying this equipment before working on or inside equipment.
- Always use a properly rated voltage sensing device to confirm power is off.
- Replace all devices, doors and covers before turning on power to this equipment.
- This equipment must be effectively grounded per all applicable codes. Use an equipment-grounding conductor to connect this equipment to the power system ground.

Failure to follow these instructions will result in death or serious injury.

CAUTION

LOSS OF BRANCH CIRCUIT POWER/LOSS OF SURGE SUPPRESSION

- Ensure that the branch circuit breaker or fuse trip characteristic has been coordinated with the overcurrent components inside the Surge Protective Device (See Table 1).
- Perform periodic inspection of the Surge Protective Device status indicator lights as part of the preventative maintenance schedule.
- Promptly service the Surge Protective Device when an alarm state exists.
- Use dry contacts to signal an alarm state to the central supervisory system for unmanned, inaccessible, or critical installations.
- Use multiple Surge Protective Devices to achieve redundancy for critical applications.

Failure to follow these instructions can result in injury or equipment damage.

At end-of-life conditions, Surge Protective Devices (SPDs) can lose their ability to block power system voltage and attempt to draw excessive current from the line. This SPD is equipped with overcurrent and overtemperature components that disconnect the surge suppression elements from the electrical supply should the surge suppression elements reach end of life. Tripping of the branch circuit breaker or fuse feeding the SPD can occur when the surge suppression elements reach end of life.

⚠ CAUTION**LOSS OF SURGE SUPPRESSION**

- Do not energize the Surge Protective Devices until the electrical system is completely installed, inspected, tested, and all conductors have been connected and functional, including the neutral.
- Verify the voltage rating of the device and system before energizing the Surge Protective Device.
- Perform high-potential insulation testing, or any other tests where Surge Protective Device components will be subjected to voltages higher than their rated turn-on voltage, with the neutral and Surge Protective Device disconnected from the power source.

Failure to follow these instructions can result in injury or equipment damage.

Introduction**⚠⚠ DANGER****HAZARD OF ELECTRIC SHOCK, EXPLOSION, OR ARC FLASH**

- Apply appropriate personal protective equipment (PPE) and follow safe electrical work practices. See NFPA 70E or CSA Z462.
- This equipment must only be installed and serviced by qualified electrical personnel.
- Turn off all power supplying this equipment before working on or inside equipment.
- Always use a properly rated voltage sensing device to confirm power is off.
- Replace all devices, doors and covers before turning on power to this equipment.
- This equipment must be effectively grounded per all applicable codes. Use an equipment-grounding conductor to connect this equipment to the power system ground.

Failure to follow these instructions will result in death or serious injury.

Note: For troubleshooting, call the SurgeLogic Technical Assistance Group at 1-800-577-7353.

Proper installation is imperative to maximize the NQ SurgeLoc Assembly SPD's effectiveness and performance. The installer should follow the steps outlined in this instruction bulletin to ensure proper installation. Read the entire instruction bulletin before beginning the installation. These instructions are not intended to replace national or local electrical codes. Check all applicable electrical codes to verify compliance. Installation of NQ brick surge suppressors should only be performed by qualified electrical personnel.

Unpacking and Preliminary Inspection

Inspect the entire shipping container for damage or signs of mishandling before unpacking the device. Remove the packing material and further inspect the device for any obvious shipping damage. If any damage is found and is a result of shipping or handling, immediately file a claim with the shipping company.

Storage

The device should be stored in a clean, dry environment. Storage temperature is -40 °F to +149 °F (-40°C to +65°C). All of the packaging materials should be left intact until the device is ready for installation.

Safety Labels

English, Spanish, and French versions of all safety labels (Danger, Warning, and Notice) are provided.

Surge Protective Device (SPD) Location Considerations

Environment

The device is designed to operate in an ambient temperature range of -4 °F to +104 °F (-20°C to +40°C) with a relative humidity of 0 to 95% non-condensing. The operating temperature of the LCD on the diagnostic display panel is +14 °F to +140 °F (-10°C to +60°C). All NQ SurgeLoc devices operate normally without reduction in performance when subjected to shock and vibrations described in IEC 60068-2-6, Class 3M4.

Audible Noise

The device background noise is negligible and does not restrict the location of the installation.

Mounting

Refer to Figure 11 on page 15 for typical mounting dimensions and weight.

Service Clearance


The service clearance should meet all applicable code requirements.

Equipment Performance

To obtain the maximum system performance, locate the device as close to the circuit being addressed as possible, to minimize the interconnecting wiring length. For every foot of wire length, approximately 160 Volts (6 kV / 3 kA, 8/20 microsecond) is added to the suppressed voltage. The Voltage Protection Rating (VPR) is located on the device nameplate and is measured six inches from the enclosure sidewall, according to UL® 1449 Fourth Edition.

Electrical

Voltage Rating


DANGER

HAZARD OF ELECTRIC SHOCK, EXPLOSION, OR ARC FLASH

Confirm the Surge Protective Device voltage rating on the nameplate label is the same as the operating voltage.

Failure to follow these instructions will result in death or serious injury.

Prior to mounting the SPD, verify that the device has the same voltage rating as the power distribution system in which it is installed. Compare the nameplate voltage on the SPD with the nameplate of the electrical distribution equipment.

The specifier or user of the device must be familiar with the configuration and arrangement of the power distribution system in which any SPD is to be installed. The system configuration of any power distribution system is based strictly on how the secondary windings of the transformer supplying the service entrance main or load are configured. This includes whether or not the transformer windings are referenced to ground via a grounding conductor. The system configuration is not based on how any specific load or equipment is connected to a particular power distribution system. See Table 1 on page 9 for the service voltage of each SPD.

Table 1 – Voltage Ratings¹

Service Voltage	Peak Surge Current Rating Per Phase	Catalog Number
120/240 V 1-phase, 3-wire + ground	80 kA	SSP01SBA08D
	100 kA	SSP01SBA10D
	120 kA	SSP01SBA12D
	160 kA	SSP01SBA16D
	200 kA	SSP01SBA20D
	240 kA	SSP01SBA24D
120/208 V, 3-phase, 4 wire + ground	80 kA	SSP02SBA08D
	100 kA	SSP02SBA10D
	120 kA	SSP02SBA12D
	160 kA	SSP02SBA16D
	200 kA	SSP02SBA20D
	240 kA	SSP02SBA24D
240/120 V, High-leg Delta, 3-phase, 4-wire + ground	80 kA	SSP03SBA08D
	100 kA	SSP03SBA10D
	120 kA	SSP03SBA12D
	160 kA	SSP03SBA16D
	200 kA	SSP03SBA20D
	240 kA	SSP03SBA24D

¹ Suitable for use on a circuit capable of delivering not more than 200kA rms symmetrical amperes.

ENGLISH

Terminals, Wire Size, and Installation Torque

This SPD is designed to work in Square D™ Type NQ panelboards. Only panelboard bus screws should be used to connect the phase ring terminals to the bus bar.

Table 2 – Terminal Torque

Power Connection	Torque
AØ, BØ, CØ and N	18 lb-in. (2 N•m)
Ground	

Branch Circuit Overcurrent Protection

⚡ ⚠ DANGER

HAZARD OF ELECTRIC SHOCK, EXPLOSION, OR ARH FLASH

- Use conductors rated for the Overcurrent Protection Device (OCPD) per applicable codes.
- Use conductors rated for the application per applicable codes.

Failure to follow these instructions will result in death or serious injury.

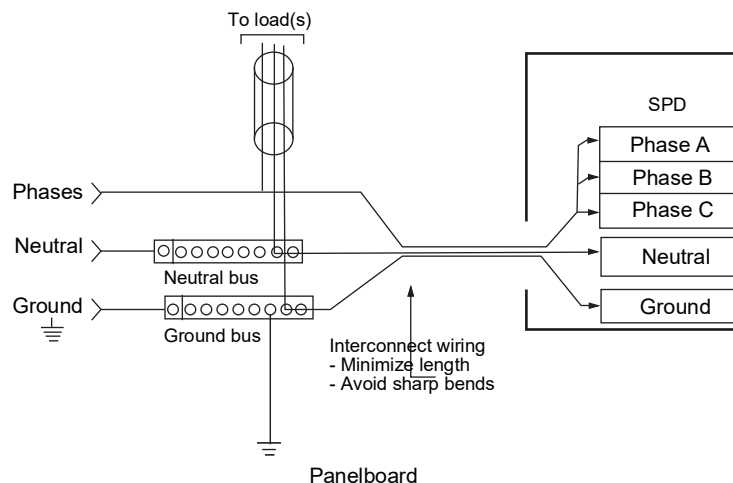
UL 1449 Type 1 SPDs have been designed and approved for line side applications prior to the main service disconnect without supplemental overcurrent protection.

Type 1 SPDs can also be used in Type 2 applications (load side of OCPD). When either Type 1 or Type 2 SPDs are used on the load side, they must be installed per local codes.

Location of Surge Protective Device (SPD)

Locate the SPD as close as possible to the circuit being addressed to minimize the wire length and optimize SPD performance. Avoid running long wires so that the device will perform as intended. Avoid sharp bends in the conductors. See Figure 1.

Figure 1 – Surge Protective Device Wiring Practice



Grounding

⚠ ⚠ DANGER
HAZARD OF ELECTRIC SHOCK, EXPLOSION, OR ARC FLASH
<ul style="list-style-type: none"> • Connect the Surge Protective Device ground to the building ground and structure. • Use an appropriately sized equipment grounding conductor. • Do not use a separate isolated ground for the NQ SurgeLogic Assembly device. • Verify proper equipment connection to the grounding system. • Verify ground grid continuity by performing regularly scheduled inspections and testing as part of a comprehensive electrical maintenance program.
Failure to follow these instructions will result in death or serious injury.

General

The NQ SPD has SPD elements connected from phase to ground. It is critical that there be a robust and effective connection to the building grounding structure. The grounding connection must utilize an equipment grounding conductor run with the phase and neutral (if present) connection of the power system. The SPD device should not be connected to a separate isolated ground.

For best overvoltage suppression by the NQ SPD, use a single-point ground system where the service entrance grounding electrode system is connected to and bonded to all other available electrodes, building steel, metal water pipes, driven rods, etc. (for reference, see IEEE 142-2007). The ground impedance measurement of the electrical system should be as low as possible, and in compliance with all applicable codes.

Solidly-Grounded Power Systems

CAUTION
SURGE PROTECTIVE DEVICE DAMAGE AND POWER SYSTEM OVERVOLTAGE
<ul style="list-style-type: none"> • Do not connect devices rated for use on solidly-grounded power systems to resistance-grounded (for example, High Resistance Ground) or ungrounded power systems. • Verify that the service entrance equipment is bonded to ground in accordance with all applicable codes. • Verify that the neutral terminal of the power system transformer feeding the device is bonded to system ground in accordance with all applicable codes.
Failure to follow these instructions can result in equipment damage.

SPDs rated for use on solidly-grounded power systems must not be connected to resistance-grounded (for example, HRG) or ungrounded power systems. Such a connection can result in damage to the SPD.

Always verify the power system grounding configuration prior to application of power to the device. Confirm that all ground bonds are installed at both the service entrance equipment and power system transformer prior to application of power.

Installation

DANGER

HAZARD OF ELECTRIC SHOCK, EXPLOSION, OR ARC FLASH

- Apply appropriate personal protective equipment (PPE) and follow safe electrical work practices. See NFPA 70E or CSA Z462.
- This equipment must only be installed and serviced by qualified electrical personnel.
- Turn off all power supplying this equipment before working on or inside equipment.
- Always use a properly rated voltage sensing device to confirm power is off.
- Replace all devices, doors and covers before turning on power to this equipment.
- This equipment must be effectively grounded per all applicable codes. Use an equipment-grounding conductor to connect this equipment to the power system ground.

Failure to follow these instructions will result in death or serious injury.

DANGER

HAZARD OF ELECTRIC SHOCK, EXPLOSION, OR ARC FLASH

Confirm the Surge Protective Device voltage rating on the nameplate label is the same as the operating voltage.

Failure to follow these instructions will result in death or serious injury.

Follow the steps listed below when making wiring connections:

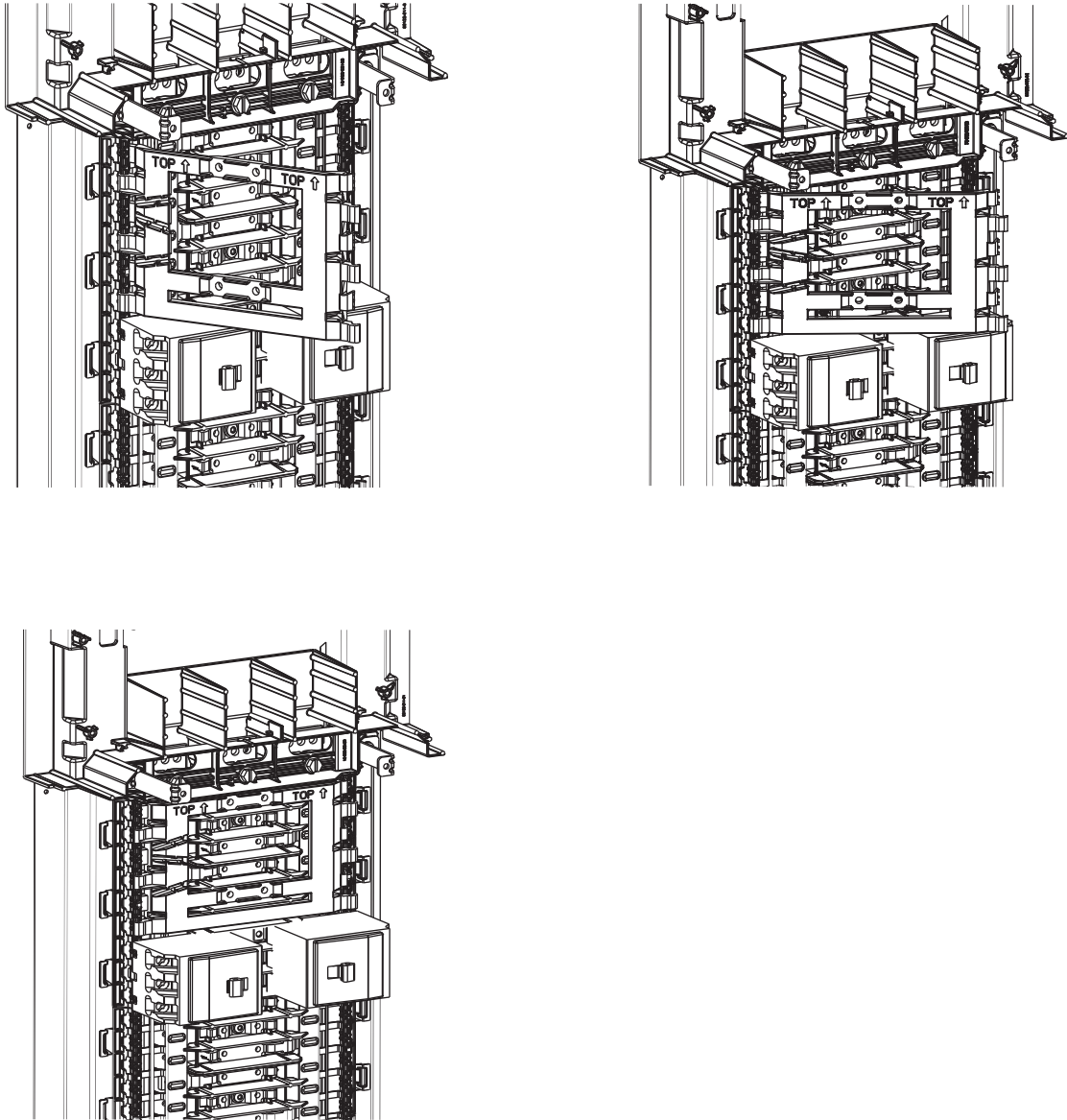
If you have any questions pertaining to the installation of this device, contact the SurgeLogic Technical Assistance Group at 1-800-577-7353.

SurgeLoc Assembly Installation

1. Turn off all power supplying this equipment before working on or inside any enclosure containing this equipment.
2. Confirm that the SPD assembly has the same voltage rating and configuration as the system voltage, and power system configuration to which it will be connected.
3. Remove the panel door, dead front, and trim.
4. For best performance, locate the SPD next to the main bus terminals.

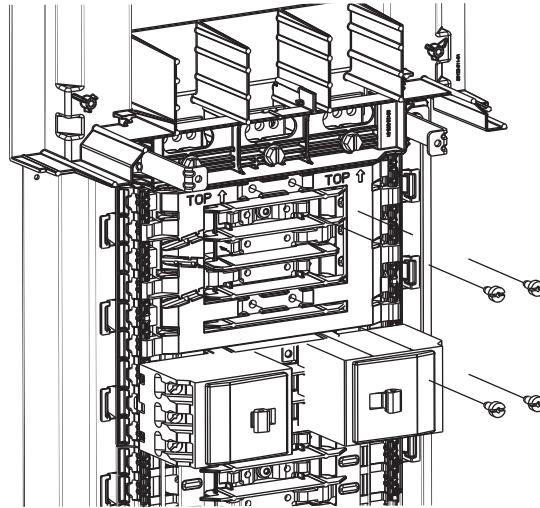
Note: Keep the ground and neutral wires as short as possible.

5. Facing the panel, snap in the mounting bracket leading with the left edge of the SPD. See Figure 2.

Figure 2 – Mount Installation

6. Install the four mounting screws provided. See Figure 3.
7. Attach the phase wires per the phase requirements.

Figure 3 – Mount Screws

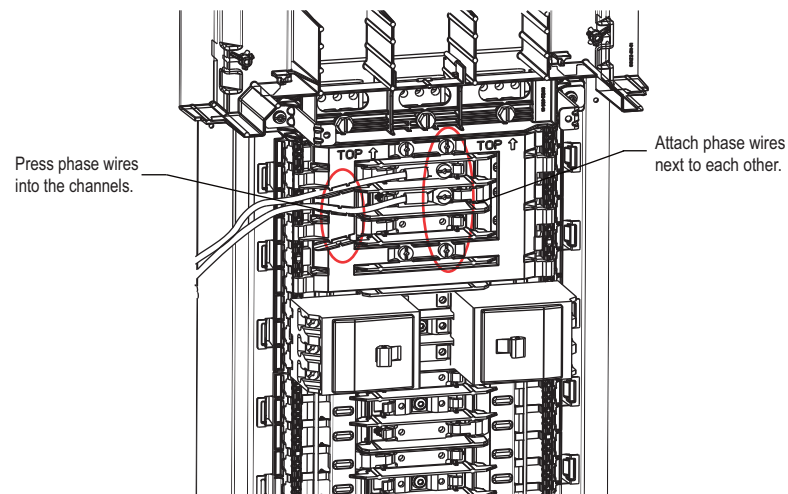


Connecting SPD Directly to the Bus

Split phase direct bus installation:

1. Attach the phase wires to the buses next to each other as shown in Figure 4.

Figure 4 – Split Phase Wire Connection



2. Ensure phase A and B wires are connected to the corresponding buses.

Note: The third row has no connection.

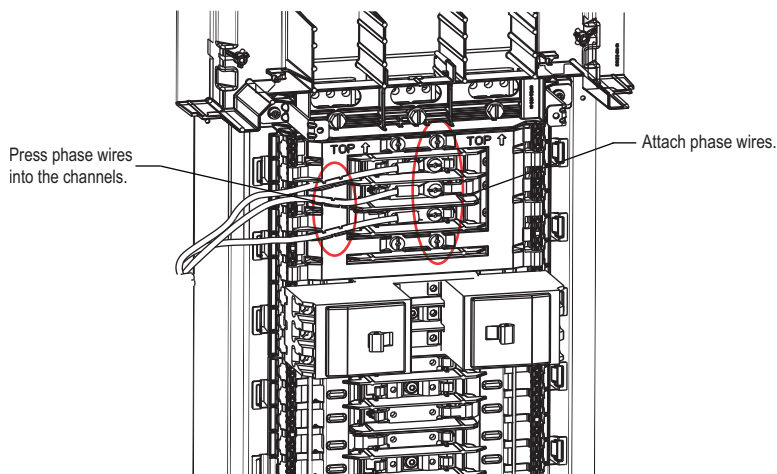
3. Press the phase wires into the wire channels on the mounting bracket as shown in Figure 4.

Note: Ensure that the phase wires are not pinched between the mounting bracket and the SPD housing.

Three phase WYE direct bus installation:

Attach the phase wires to the buses as shown in Figure 5.

Figure 5 – WYE/Delta Phase Wire Connection



Three phase high leg delta direct bus installation:

1. Attach the phase wires to the buses as shown in Figure 5.

Note: The orange wire must connect to the high leg bus.

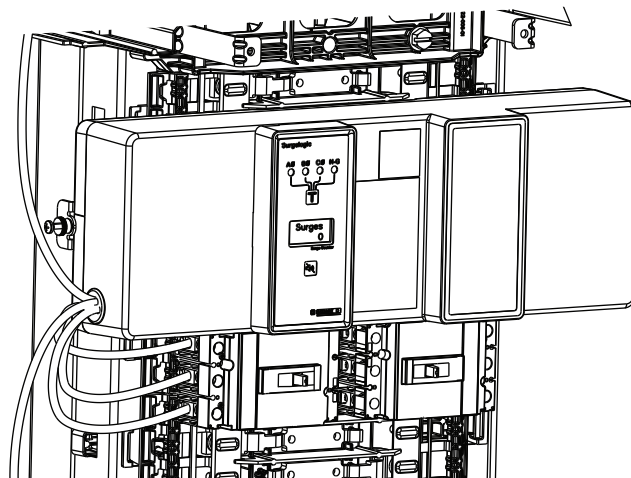
2. Ensure phase A, B and C wires are connected to the corresponding buses.

Connecting SPD Through an OCPD (Disconnect)

Connecting the SPD through a OCPD (Disconnect):

1. Cut the phase wire to length and strip the insulation per the circuit breaker manufacture instructions.
2. Ensure that the wires of phase A, B and C (as required), are connected to the corresponding buses. See Figure 6.

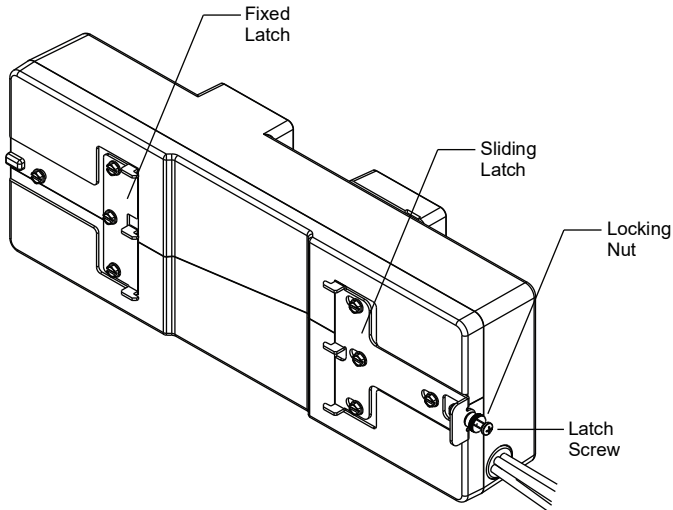
Figure 6 – Generic Circuit Breaker Connection



Install the SPD:

1. Refer to Figure 7 for instructions on how to secure the SPD to the mounting bracket.

Figure 7 – SPD Mounting Brackets



2. Unlock the sliding latch by turning the locking nut, counterclockwise, until the locking nut contacts the latch screw head.

Note: Do not loosen the latch screw.

3. Pull the sliding latch outward, to the unlocked position, approximately 1/4 in. (7mm).
4. Engage the fixed latch with the slots in the mount bracket. See Figure 9.
7. Connect the neutral wire to the neutral bus, and the ground wire to the ground bus.

Note: For best performance, keep the wires as short as possible with no sharp bends.

Note: This product will not work properly without neutral and ground connections.

8. Check that all connections are secure.
9. Remove all tools and discarded hardware from the unit.
10. If necessary, remove the twelve twist outs, six per side, from the dead front to correlate with the SPD bezel.
11. Replace the deadfront, cover/door, and/or trim to the equipment.
12. Equipment may be re-energized after all of the above steps are complete.

SurgeLoc Assembly Removal

1. Turn off all power supplying this equipment before working on or inside any enclosure containing this equipment.
2. Remove any doors, trims, and the deadfront panel, per the panelboard instruction, so as to expose the SPD.
3. Loosen the locking nut by rotating it, counterclockwise, until the nut reaches the latch screw head. See Figure 8 and Figure 7 for part nomenclature.

Note: Do not remove or loosen the latch screw.

4. Pull the left side of the brick unit forward, approximate 1/4 in. (7 mm), to release the sliding latch from the mount bracket slots.
5. Move the entire SPD to the right, approximately 1/2 in. (13mm), to release the fixed latch.
6. Remove the three phase screws to disconnect the three phase wires and secure the SPD.
7. Disconnect the ground and neutral wires.
8. Remove the SPD assembly.

Figure 8 – Latch Nut Disengagement

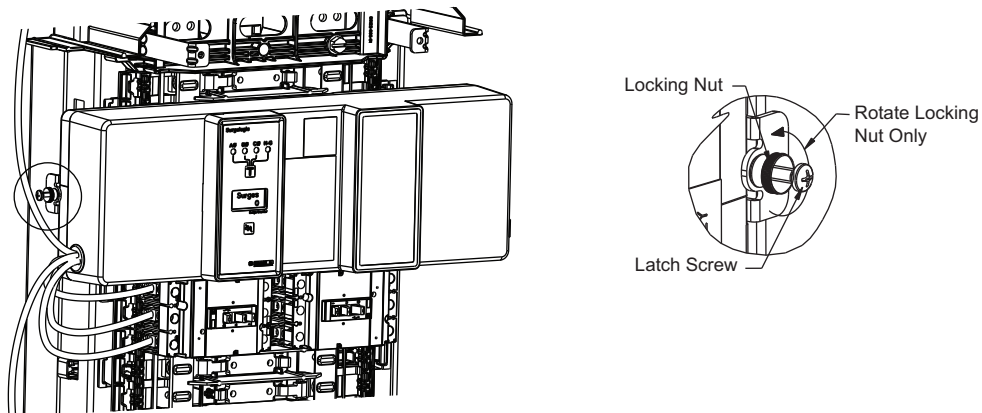
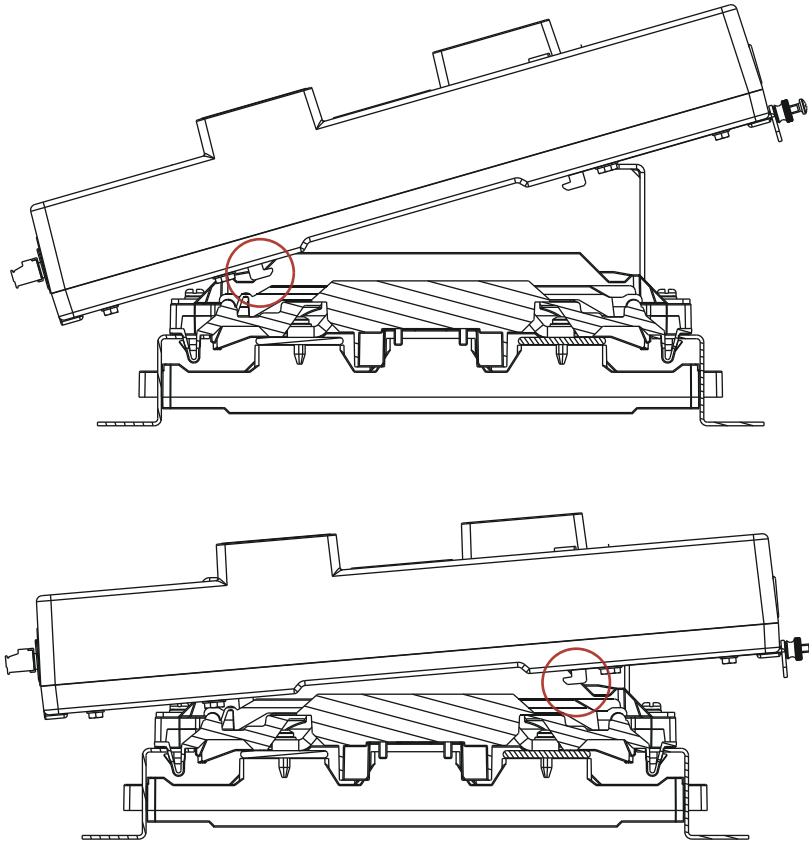
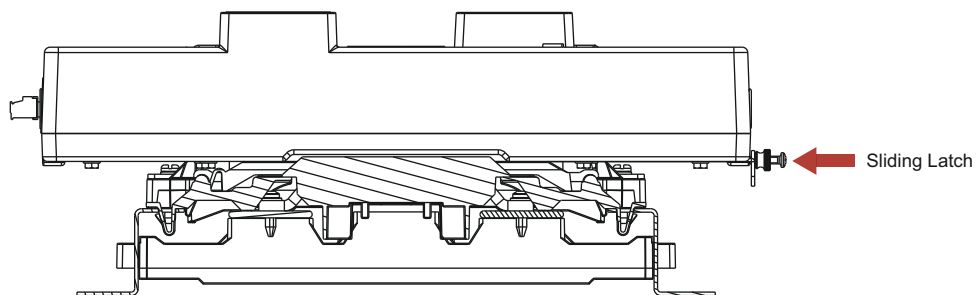


Figure 9 – SPD Mount Interlocks

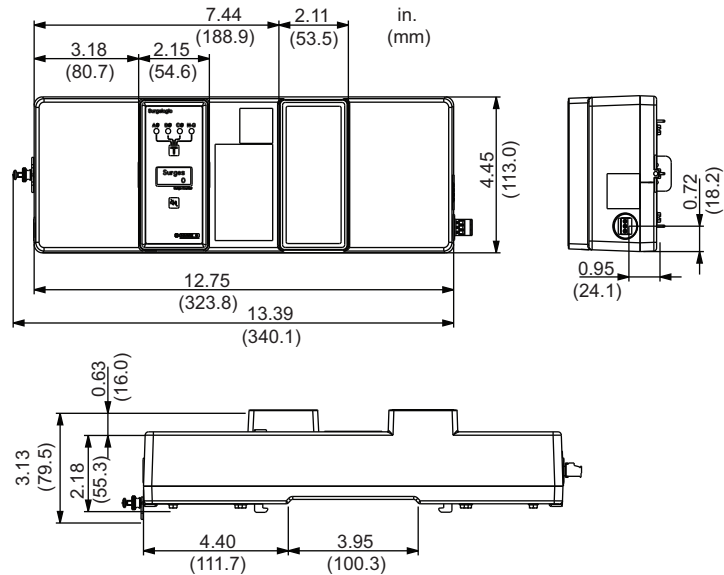
9. Snap the SPD into the left hand slots of the mounting bracket.

Figure 10 – Sliding Latch Engagement

10. Push the sliding latch inward into the locked position and tighten the nut.

Dimensions and Weights

Figure 11: SurgeLoc SPD Dimensions



Approximate Weight	3.5 lbs ± 1 lbs (1.58 kg)
Door Depth	0.5 in. (12.7 mm)
Total Depth	6.24 in. (158.5 mm)

ENGLISH

Wiring Diagrams without Circuit Breaker Connection Switch

ENGLISH

Figure 12: Split-Phase Three-Wire Grounded Installation without Circuit Breaker Connection

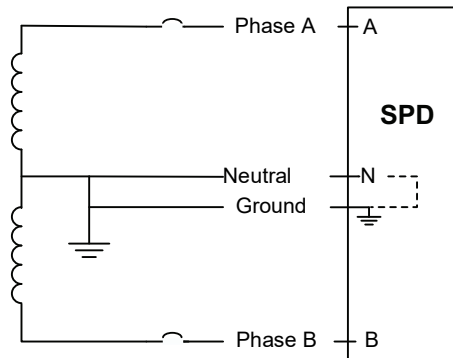


Figure 13: Three-Phase, Four-Wire, Grounded Wye Installation without Circuit Breaker Connection

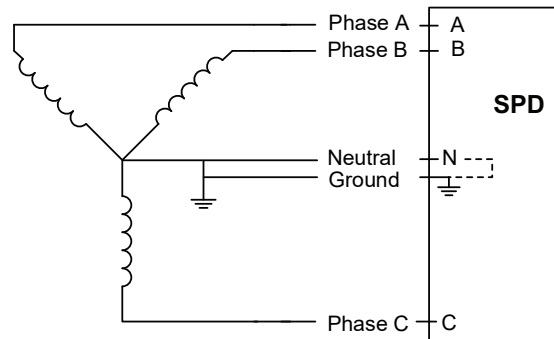
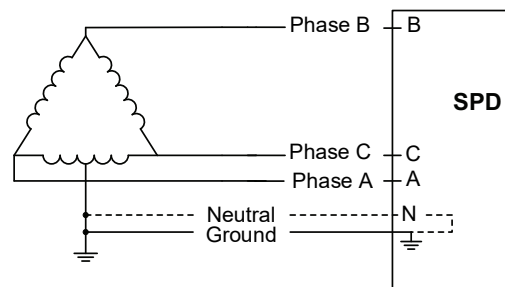


Figure 14: Three-Phase, Four-Wire, High-Leg Delta Installation without Circuit Breaker Connection



Wiring Diagrams with Circuit Breaker Connection Switch

Figure 15: Split-Phase, Three-Wire, Grounded Installation with Circuit Breaker Connection

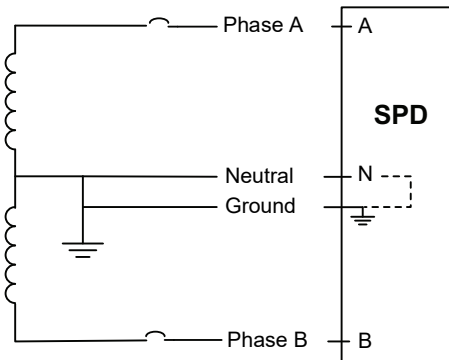


Figure 16: Three-Phase, Four-Wire, Grounded Wye Installation with Circuit Breaker Connection

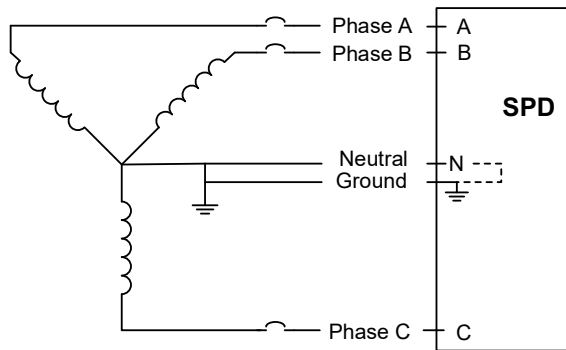
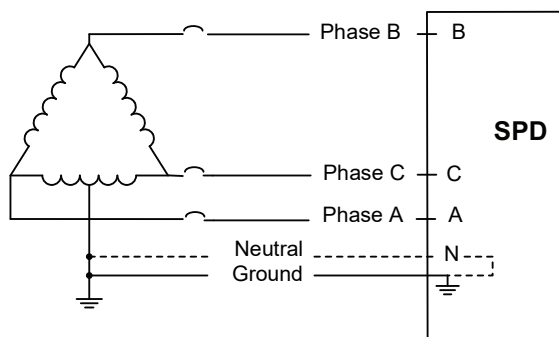


Figure 17: Three-Phase, Four-Wire, High-Leg Delta Installation with Circuit Breaker Connection



Operation

⚠️ ⚠️ DANGER

HAZARD OF ELECTRIC SHOCK, EXPLOSION, OR ARC FLASH

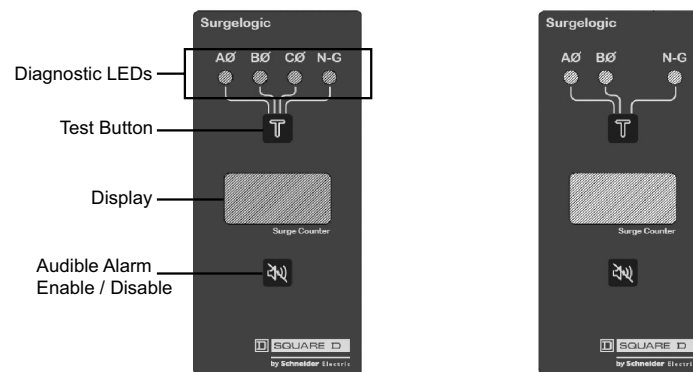
- Apply appropriate personal protective equipment (PPE) and follow safe electrical work practices. See NFPA 70E or CSA Z462.
- This equipment must only be installed and serviced by qualified electrical personnel.
- Turn off all power supplying this equipment before working on or inside equipment.
- Always use a properly rated voltage sensing device to confirm power is off.
- Replace all devices, doors and covers before turning on power to this equipment.
- This equipment must be effectively grounded per all applicable codes. Use an equipment-grounding conductor to connect this equipment to the power system ground.

Failure to follow these instructions will result in death or serious injury.

LED Status Indicators

The SPD diagnostic display panel shows the status of each phase with green/red LEDs. See Figure 18. If the SPD is operating correctly, all of the phase LEDs will be illuminated green. If the LEDs are not illuminated in green follow the Troubleshooting flow chart, Figure 20.

Figure 18: SPD Diagnostic LEDs



Audible Alarm

Push the alarm enable/disable button to enable or disable the alarm. See Figure 18. The status of the alarm will be identified on the display.

Surge Counter

The surge counter displays the number of transient voltage surges since the counter was last reset. To reset the surge counter press and hold the “Test” button for approximately six seconds.

Dry Contacts

⚠️⚠️ DANGER

HAZARD OF ELECTRIC SHOCK, EXPLOSION, OR ARC FLASH

- Use 600 V ac rated dry contact wiring.
- Dry contact wiring must have less than 1/16 in. (1.6 mm) exposed wire from the dry contact block
- Do not supply more than 30 V dc / 250 V ac and no more than a current of 6 A.

Failure to follow these instructions will result in death or serious injury.

CAUTION

FALSE INDICATION OF SURGE PROTECTION STATUS

- Maintain at least 1.0 in. (25 mm) separation between dry contact wiring and the power wiring in the enclosure.

Failure to follow these instructions can result in equipment damage.

The NQ SurgeLoc series SPD comes equipped with dry contacts. The dry contacts are three-position, Form “C” type with Normally Open, Normally Closed, and Common connections.

In the unpowered state the contact is closed between terminals NC and COM. This is also the alarm condition. The opposite state, closed between terminals NO and COM, indicates that power is on to the unit and that no alarm condition exists. See Table 4.

These contacts can be used for remote indication of the SPD’s operating status to a computer interface board or emergency management system. Also, these contacts are designed to work with the SPD remote monitor option described in the next section.

Table 4: Dry Contact Configuration

Alarm Contact Terminals	Contact State with Power Applied
NO to COM	Closed
NC to COM	Open

Minimum switching load is 10 mA at 5 V dc. Higher energy applications may require additional relay implementation outside the SPD. Damage to the SPD relay caused by use with energy levels in excess of those discussed in this instruction bulletin are not covered by warranty. For application questions, contact the SurgeLogic Technical Assistance Group at 1-800-577-7353.

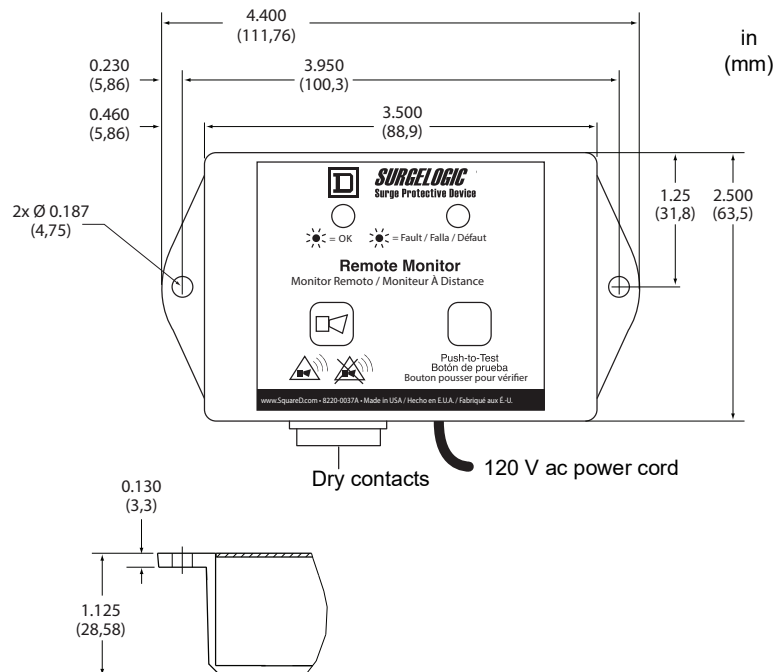
Remote Monitor Option

The remote monitor option has two LEDs, one red and one green, and an audible alarm with an enable/disable switch. Normal status is a lit green LED, and no audible alarm. To test the integrity of the remote monitor, press the push-to-test switch. If the alarm is enabled, the green LED will turn off, the red LED will turn on, and the alarm will sound. Releasing the switch will complete the test; the red LED will turn off, the green LED will turn on and the alarm will shut off.

If suppression on any phase is lost, the green LED will turn off, the red LED will turn on and an alarm will sound. The audible alarm can be silenced by pushing the alarm enable/disable button. The alarm will silence and the green alarm LED will not be lit. The red LED will continue to be illuminated until the inoperative condition has been cleared.

The remote monitor includes a 120 V ac to 12 V dc adapter with a six-foot power cord. Connections are made to the SPD diagnostic panel with Form “C”, three-position dry contacts (provided) and the appropriate length of solid or stranded 22–14 AWG wire up to 1000 ft. (305 m) not provided.

Figure 19: Remote Monitor Option (TVS12RMU)



Maintenance and Troubleshooting

⚠️ ⚠️ DANGER

HAZARD OF ELECTRIC SHOCK, EXPLOSION, OR ARC FLASH

- Apply appropriate personal protective equipment (PPE) and follow safe electrical work practices. See NFPA 70E or CSA Z462.
- This equipment must only be installed and serviced by qualified electrical personnel.
- Turn off all power supplying this equipment before working on or inside equipment.
- Always use a properly rated voltage sensing device to confirm power is off.
- Replace all devices, doors and covers before turning on power to this equipment.
- This equipment must be effectively grounded per all applicable codes. Use an equipment-grounding conductor to connect this equipment to the power system ground.

Failure to follow these instructions will result in death or serious injury.

Preventative Maintenance

Inspect the SPD periodically to maintain system performance and continued transient voltage surge suppression. Periodically check the state of the diagnostic display panel LED status indicators. Routinely use the built-in diagnostics to validate the status of the SPD.

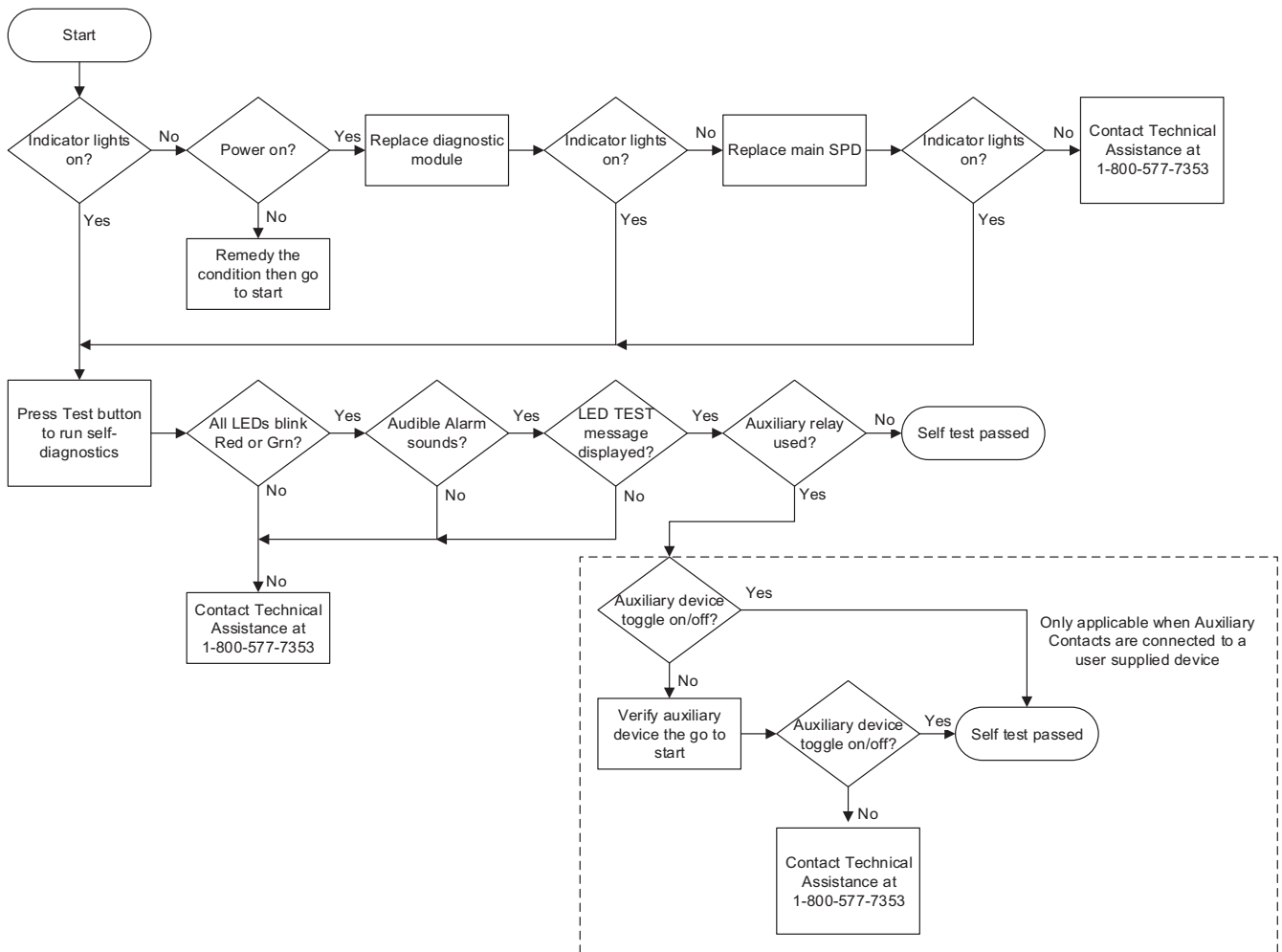
Troubleshooting

If the SurgeLoc diagnostic display panel shows a red phase indicator light, follow the Troubleshooting Flow Chart in Figure 20.

Figure 20: Troubleshooting Flow Chart

Note: For further assistance, call the SurgeLogic Technical Assistance Group at 1-800-577-7353.

SurgeLoc Diagnostics Self Test



Schneider Electric USA, Inc.

800 Federal Street
Andover, MA 01810 USA
888-778-2733
www.se.com/us

Standards, specifications, and designs may change, so please ask for confirmation that the information in this publication is current.

Schneider Electric and Square D are trademarks and the property of Schneider Electric SE, its subsidiaries, and affiliated companies. All other trademarks are the property of their respective owners.

© 2021 Schneider Electric All Rights Reserved

8400-0002 Rev.06, 02/2021
Replaces 8400-0002 Rev.05, 02/2021

SurgeLogic™

Ensamble no modular NQ SurgeLoc™

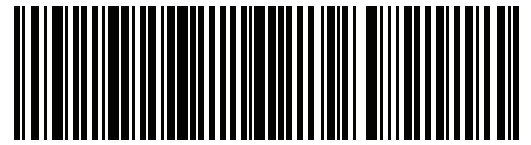
Dispositivos de protección contra sobretensiones transitorias (SPD)

Boletín de instrucciones

8400-0002

02/2021

Conservar para uso futuro.



ESPAÑOL



Schneider
Electric™

Contenido

Precauciones.....	5
Introducción.....	6
Desempaque e inspección preliminar.....	6
Almacenamiento.....	7
Etiquetas de seguridad 7	
Aspectos importantes de la ubicación del dispositivo de protección contra sobretensiones transitorias (SPD).....	7
Ambientales.....	7
Ruido audible.....	7
Montaje.....	7
Espacio libre necesario para realizar servicios de mantenimiento.....	7
Rendimiento del equipo.....	7
Especificaciones eléctricas.....	8
Tensión nominal.....	8
Terminales, tamaño de cable y par de apriete de la instalación.....	9
Protección contra sobrecorriente del circuito derivado.....	9
Ubicación del dispositivo de protección contra sobretensiones transitorias (SPD).....	9
Conexión a tierra.....	10
Generalidades.....	10
Sistemas de alimentación sólidamente puestos a tierra.....	10
Instalación.....	11
Instalación del ensamble SurgeLoc.....	11
Conexión del SPD directamente en las barras.....	13
Conexión del SPD a través de un DPCS (desconectador).....	14
Instalación del SPD.....	15
Desmontaje del ensamble SurgeLoc.....	17
Dimensiones y pesos.....	18
Diagramas de alambrado.....	19
Diagramas de alambrado con interruptor automático.....	20
Funcionamiento.....	21
Indicadores de estado LED.....	21
Alarma audible.....	21
Contador de sobretensiones transitorias.....	21
Contactos secos.....	22

ESPAÑOL

Monitor remoto opcional	23
Servicio de mantenimiento y diagnóstico de problemas.....	24
Servicio de mantenimiento preventivo	24
Diagnóstico de problemas	25

ESPAÑOL

Precauciones



ADVERTENCIA: Este producto puede exponerle a químicos incluyendo negro de carbón, que son conocidos por el Estado de California como causantes de cáncer, y Bisfenol A (BPA), que es conocido por el Estado de California como causante de defectos de nacimiento u otros daños reproductivos. Para mayor información, visite www.P65Warnings.ca.gov

PELIGRO

PELIGRO DE DESCARGA ELÉCTRICA, EXPLOSIÓN O DESTELLO POR ARQUEO

- Utilice equipo de protección personal (EPP) apropiado y siga las prácticas de seguridad en trabajos eléctricos establecidas por su Compañía, consulte la norma 70E de NFPA o Z462 de CSA y NOM-029-STPS.
- Solamente el personal eléctrico calificado deberá instalar y prestar servicio de mantenimiento a este equipo.
- Desconecte toda la alimentación del equipo antes de realizar cualquier trabajo dentro o fuera de él.
- Siempre utilice un dispositivo detector de tensión de valor nominal adecuado para confirmar la desenergización del equipo.
- Vuelva a colocar todos los dispositivos, las puertas y las cubiertas antes de volver a energizar el equipo.
- Este equipo deberá estar correctamente conectado a tierra de acuerdo con los códigos aplicables. Utilice un conductor de conexión a tierra del equipo para conectar este último a la tierra del sistema de alimentación.

El incumplimiento de estas instrucciones podrá causar la muerte o lesiones serias.

PRECAUCIÓN

PÉRDIDA DE ALIMENTACIÓN DEL CIRCUITO DERIVADO/PÉRDIDA DE SUPRESIÓN DE SOBRETENSIONES TRANSITORIAS.

- Asegúrese de que la función de disparo por fusible o interruptor automático derivado haya sido coordinada con los componentes de sobrecorriente dentro del dispositivo de protección contra sobretensiones transitorias (consulte la tabla 1).
- Realice inspecciones periódicas a las luces indicadoras de estado del dispositivo de protección contra sobretensiones transitorias como parte del programa de mantenimiento preventivo.
- Deberá prestarse servicio de inmediato al dispositivo de protección contra sobretensiones transitorias cuando se activa una alarma.
- Utilice contactos secos para emitir una señal de alarma al sistema de supervisión central en las instalaciones críticas, difíciles de acceder o no supervisadas por personal.
- Emplee múltiples dispositivos de protección contra sobretensiones transitorias para obtener redundancia para las aplicaciones críticas.

El incumplimiento de estas instrucciones puede causar lesiones personales o daño al equipo.

Cuando llegan al fin de su vida útil, los dispositivos de protección contra sobretensiones transitorias (SPD) pueden perder su habilidad de bloquear la tensión del sistema de alimentación e intentar extraer corriente excesiva de la línea. El SPD está equipado con componentes de sobrecorriente y sobrecalentamiento que desconectan los elementos de supresión de sobretensiones transitorias de la fuente de alimentación eléctrica en caso de que estos elementos alcancen su fin de vida útil. Es posible que el fusible o interruptor automático derivado que alimenta al SPD se dispare cuando los elementos de supresión de sobretensiones transitorias alcancen su fin de vida útil.

Introducción

⚠ PRECAUCIÓN

PÉRDIDA DE SUPRESIÓN DE SOBRETENSIONES TRANSITORIAS

- No energice los dispositivos de protección contra sobretensiones transitorias sino hasta que el sistema eléctrico haya sido completamente instalado, inspeccionado, probado y todos los conductores estén conectados y funcionando, incluyendo el neutro.
- Verifique la tensión nominal del dispositivo y del sistema antes de energizar el dispositivo de protección contra sobretensiones transitorias.
- Realice las pruebas de rigidez dieléctrica al aislamiento, o cualquier otra prueba donde los componentes del dispositivo de protección contra sobretensiones transitorias sean sometidos a tensiones más altas que la tensión de conexión, con el neutro y el dispositivo de protección contra sobretensiones transitorias desconectados de la fuente de alimentación.

El incumplimiento de estas instrucciones puede causar lesiones personales o daño al equipo.

⚠ ⚠ PELIGRO

PELIGRO DE DESCARGA ELÉCTRICA, EXPLOSIÓN O DESTELLO POR ARQUEO

- Utilice equipo de protección personal (EPP) apropiado y siga las prácticas de seguridad en trabajos eléctricos establecidas por su Compañía, consulte la norma 70E de NFPA o Z462 de CSA y NOM-029-STPS.
- Solamente el personal eléctrico calificado deberá instalar y prestar servicio de mantenimiento a este equipo.
- Desconecte toda la alimentación del equipo antes de realizar cualquier trabajo dentro o fuera de él.
- Siempre utilice un dispositivo detector de tensión de valor nominal adecuado para confirmar la desenergización del equipo.
- Vuelva a colocar todos los dispositivos, las puertas y las cubiertas antes de volver a energizar el equipo.
- Este equipo deberá estar correctamente conectado a tierra de acuerdo con los códigos aplicables. Utilice un conductor de conexión a tierra del equipo para conectar este último a la tierra del sistema de alimentación.

El incumplimiento de estas instrucciones podrá causar la muerte o lesiones serias.

NOTA: Para obtener asistencia de diagnóstico de problemas, póngase en contacto con el grupo de asistencia técnica SurgeLogic llamando al 1-800-577-7353 (en EUA).

La instalación apropiada es fundamental para maximizar la efectividad y el rendimiento del SPD del ensamble NQ SurgeLoc. La persona encargada de la instalación deberá adherirse a los pasos descritos en este boletín de instrucciones para asegurarse de obtener una instalación correcta. Lea todas las instrucciones de este boletín antes de comenzar la instalación. Estas instrucciones no deberán utilizarse como un sustituto de los códigos nacionales ni de los códigos locales. Revise todos los códigos eléctricos correspondientes y asegúrese de que cumple con ellos. La instalación de los supresores de sobretensiones transitorias no modulares NQ deberá realizarla solamente personal eléctrico calificado.

Desempaque e inspección preliminar

Realice una inspección visual de la caja de embalaje para ver si encuentra daños o indicaciones de un manejo inadecuado del equipo antes de desempacarlo. Retire el material de embalaje y revise el equipo para ver si encuentra daños obvios causados durante el envío. Si encuentra

algún daño causado durante el envío o debido al manejo inadecuado, notifique de inmediato a la compañía de transporte.

Almacenamiento

Almacene el equipo en un lugar seco y limpio a una temperatura ambiente de -40 °C a +65 °C (-40 °F a +149 °F). No deseche el material de embalaje sino hasta después de haber instalado el equipo.

Etiquetas de seguridad

Se incluyen versiones en inglés, español y francés de todas las etiquetas de seguridad (peligro, advertencia y precaución).

Aspectos importantes de la ubicación del dispositivo de protección contra sobretensiones transitorias (SPD)

Ambientales

Este dispositivo ha sido diseñado para funcionar en temperaturas ambientales de -20 °C a +40 °C (-4 °F a +104 °F), con humedad relativa de 0 a 95% sin condensación. La temperatura de funcionamiento de la pantalla de cristal líquido de diagnóstico es de -10 °C a +60 °C (+14 °F a +140 °F). Todos los dispositivos NQ SurgeLoc funcionan normalmente sin reducir su rendimiento cuando se les somete a choques o vibraciones, como se describe en la norma IEC 60068-2-6, clase 3M4.

Ruido audible

El ruido de fondo del dispositivo es insignificante y no es un elemento limitante de la ubicación de instalación.

Montaje

Consulte la figura 11 en la página 18 para obtener la información de peso y las dimensiones de montaje típico.

Espacio libre necesario para realizar servicios de mantenimiento

El espacio libre necesario para realizar servicios de mantenimiento debe cumplir con todos los requisitos de los códigos correspondientes.

Rendimiento del equipo

Para obtener un rendimiento máximo del sistema, coloque el dispositivo lo más cerca posible del circuito que se está protegiendo para minimizar la longitud del alambrado de interconexión. Para cada 1 pie (30,5 cm) de longitud de cable, se agregan aproximadamente 160 V (6kV / 3kA, 8/20 microsegundos) a la tensión suprimida. El nivel de protección de tensión (VPR) está especificado en la placa de datos del dispositivo y se debe medir 152 mm (6 pulgadas) desde la pared lateral del gabinete, según la norma UL® 1449, cuarta edición.

Especificaciones eléctricas

Tensión nominal

PELIGRO

PELIGRO DE DESCARGA ELÉCTRICA, EXPLOSIÓN O DESTELLO POR ARQUEO

Confirme que la tensión nominal del dispositivo de protección contra sobretensiones transitorias, especificada en la placa de datos, sea la misma que la tensión de funcionamiento.

El incumplimiento de estas instrucciones podrá causar la muerte o lesiones serias.

Antes de montar el SPD, asegúrese de que el dispositivo tenga la misma tensión nominal que la red de distribución eléctrica en que esté instalado. Compare la tensión de la placa de datos en el SPD con la tensión de la placa de datos del equipo de distribución eléctrica.

La persona encargada de proporcionar las especificaciones o el usuario del dispositivo deberá estar familiarizado con la configuración y la disposición de la red de energía en la que se instalará el SPD. La configuración del sistema de cualquier red de distribución eléctrica está basada rigurosamente en la configuración de los devanados secundarios del transformador que suministran a la carga o entrada principal de acometida. Inclusive si los devanados del transformador están conectados o no a tierra a través de un conductor de puesta a tierra. Sin embargo, la configuración de la red no está basada en la conexión de ninguna carga o equipo específico de una red de distribución eléctrica particular. Consulte la tabla 1 para conocer la tensión de acometida de cada SPD.

Tabla 1 – Tensiones nominales¹

Tensión de acometida	Corriente transitoria máxima por fase	Número de catálogo
120/240 V, 1 fase, 3 hilos + tierra	80 kA	SSP01SBA08D
	100 kA	SSP01SBA10D
	120 kA	SSP01SBA12D
	160 kA	SSP01SBA16D
	200 kA	SSP01SBA20D
	240 kA	SSP01SBA24D
120/208 V ¹ , 3 fases, 4 hilos + tierra	80 kA	SSP02SBA08D
	100 kA	SSP02SBA10D
	120 kA	SSP02SBA12D
	160 kA	SSP02SBA16D
	200 kA	SSP02SBA20D
	240 kA	SSP02SBA24D
240/120 V, instalación en delta con extremo alto, 3 fases, 4 hilos + tierra	80 kA	SSP03SBA08D
	100 kA	SSP03SBA10D
	120 kA	SSP03SBA12D
	160 kA	SSP03SBA16D
	200 kA	SSP03SBA20D
	240 kA	SSP03SBA24D

¹ Se puede usar en un circuito capaz de suministrar no más de 200kA simétricos rms.

Terminales, tamaño de cable y par de apriete de la instalación

Este SPD está diseñado para funcionar en los tableros de alumbrado tipo NQ marca Square D™. Solamente deben utilizarse los tornillos de las barras del tablero para conectar las terminales de anillo de las fases a las barras.

Tabla 2 – Par de apriete de las terminales

Conexiones de la alimentación	Par de apriete
ØA, ØB, ØC y N	2 N•m (18 lb-pulg)
Tierra	

Protección contra sobrecorriente del circuito derivado

⚠️ ⚠️ PELIGRO

PELIGRO DE DESCARGA ELÉCTRICA, EXPLOSIÓN O DESTELLO POR ARQUEO

- Utilice conductores apropiados para el dispositivo de protección contra sobrecorrientes (DPCS) según los códigos correspondientes.
- Utilice conductores apropiados para la aplicación según los códigos correspondientes.

El incumplimiento de estas instrucciones podrá causar la muerte o lesiones serias.

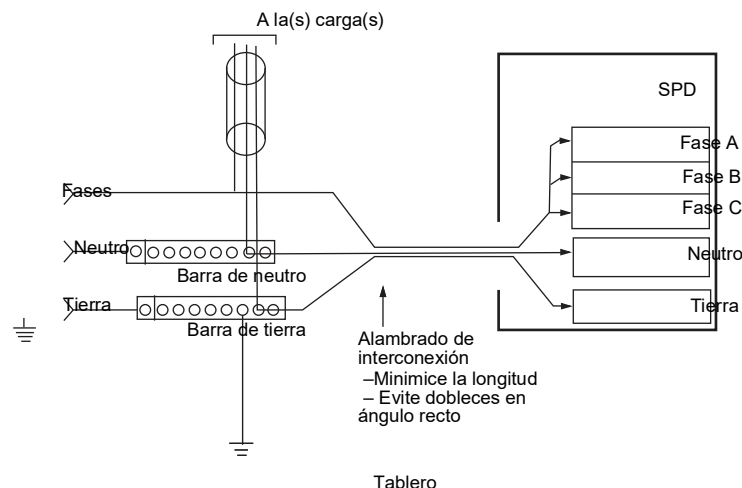
Los SPD UL 1449 tipo 1 han sido diseñados y aprobados para aplicaciones del lado de línea adelante de la desconexión de acometida principal sin protección adicional contra sobrecorriente.

Los SPD tipo 1 también se pueden utilizar en aplicaciones de tipo 2 (lado de carga del OCPD). Cuando los SPD de tipo 1 o tipo 2 se utilizan en el lado de carga, éstos deben ser instalados según los códigos locales.

Ubicación del dispositivo de protección contra sobretensiones transitorias (SPD)

Coloque el SPD lo más cerca posible del circuito que se está protegiendo para minimizar la longitud del cable y optimizar el rendimiento del SPD. Evite tendidos largos de cable para que el equipo funcione correctamente. Evite doblar los conductores en ángulo recto. Consulte la figura 1.

Figura 1 – Prácticas de alambrado del dispositivo de protección contra sobretensiones transitorias



Conexión a tierra

PELIGRO

PELIGRO DE DESCARGA ELÉCTRICA, EXPLOSIÓN O DESTELLO POR ARQUEO

- Conecte la terminal de tierra del dispositivo de protección contra sobretensiones transitorias a la estructura de la red de puesta a tierra del edificio.
- Utilice un conductor de puesta a tierra del equipo de tamaño apropiado.
- No utilice una conexión a tierra aislada separada para el dispositivo NQ SureLoc.
- Revise las conexiones al equipo y asegúrese de que esté correctamente conectado al sistema de puesta a tierra.
- Verifique la continuidad de la red de puesta a tierra realizando inspecciones y pruebas como parte de un programa completo de servicio de mantenimiento eléctrico.

El incumplimiento de estas instrucciones podrá causar la muerte o lesiones serias.

Generalidades

El SPD NQ tiene elementos conectados de fase a tierra. Es importante que exista una conexión robusta y eficaz a la estructura de tierra del edificio. La conexión de puesta a tierra debe utilizar un tendido de conductor de puesta a tierra del equipo con la conexión de fase y neutro (si la hay) del sistema de alimentación. El dispositivo SPD no deberá estar conectado a una tierra aislada separada.

Para obtener una mejor supresión de sobretensión del SPD NQ, utilice un sistema de conexión a tierra de un solo punto en el que el sistema de electrodo de puesta a tierra de acometida esté conectado y unido a todos los demás electrodos disponibles, a elementos de acero del edificio, tuberías de agua de metal, varillas de accionamiento, etc. (consulte la norma 142-2007 del IEEE para obtener referencias). La medición de impedancia de puesta a tierra del sistema eléctrico deberá ser lo más baja posible y deberá cumplir con todos los códigos aplicables apropiados.

Sistemas de alimentación sólidamente puestos a tierra

AVISO

DAÑO AL SPD Y SOBRETENSIÓN EN EL SISTEMA DE ALIMENTACIÓN

- No conecte los dispositivos diseñados para usarse en sistemas de alimentación sólidamente puestos a tierra en sistemas de alimentación no puestos a tierra o puestos a tierra con resistencia (por ejemplo, tierra con alta resistencia [HRG]).
- Asegúrese de que el equipo de acometida esté conectado a tierra de acuerdo con todos los códigos y normas correspondientes.
- Asegúrese de que la terminal de neutro del transformador del sistema de alimentación que alimenta al dispositivo esté conectada a la tierra del sistema de acuerdo con todos los códigos y normas correspondientes.


El incumplimiento de estas instrucciones puede causar daño al equipo.

Los dispositivos SPD diseñados para usarse en sistemas de alimentación sólidamente puestos a tierra no deben ser conectados a sistemas de alimentación no puestos a tierra o puestos a tierra con resistencia (por ejemplo, tierra con alta resistencia [HRG]). Dicha conexión puede causar daño al SPD.

Siempre verifique la configuración de puesta a tierra del sistema de alimentación antes de energizar el dispositivo. Asegúrese de que todas las conexiones a tierra hayan sido instaladas en ambos, el equipo de entrada de acometida y el transformador del sistema de alimentación, antes de energizar.

Instalación

ESPAÑOL


PELIGRO

PELIGRO DE DESCARGA ELÉCTRICA, EXPLOSIÓN O DESTELLO POR ARQUEO

- Utilice equipo de protección personal (EPP) apropiado y siga las prácticas de seguridad en trabajos eléctricos establecidas por su Compañía, consulte la norma 70E de NFPA o Z462 de CSA y NOM-029-STPS.
- Solamente el personal eléctrico calificado deberá instalar y prestar servicio de mantenimiento a este equipo.
- Desconecte toda la alimentación del equipo antes de realizar cualquier trabajo dentro o fuera de él.
- Siempre utilice un dispositivo detector de tensión de valor nominal adecuado para confirmar la desenergización del equipo.
- Vuelva a colocar todos los dispositivos, las puertas y las cubiertas antes de volver a energizar el equipo.
- Este equipo deberá estar correctamente conectado a tierra de acuerdo con los códigos aplicables. Utilice un conductor de conexión a tierra del equipo para conectar este último a la tierra del sistema de alimentación.

El incumplimiento de estas instrucciones podrá causar la muerte o lesiones serias.


PELIGRO

PELIGRO DE DESCARGA ELÉCTRICA, EXPLOSIÓN O DESTELLO POR ARQUEO

Confirme que la tensión nominal del dispositivo de protección contra sobretensiones transitorias, especificada en la placa de datos, sea la misma que la tensión de funcionamiento.

El incumplimiento de estas instrucciones podrá causar la muerte o lesiones serias.

Siga los siguientes pasos al realizar las conexiones de los cables:

Si tiene alguna pregunta con respecto a la instalación del dispositivo, póngase en contacto con el grupo de asistencia técnica SurgeLogic llamando al 1-800-577-7353 (en EUA).

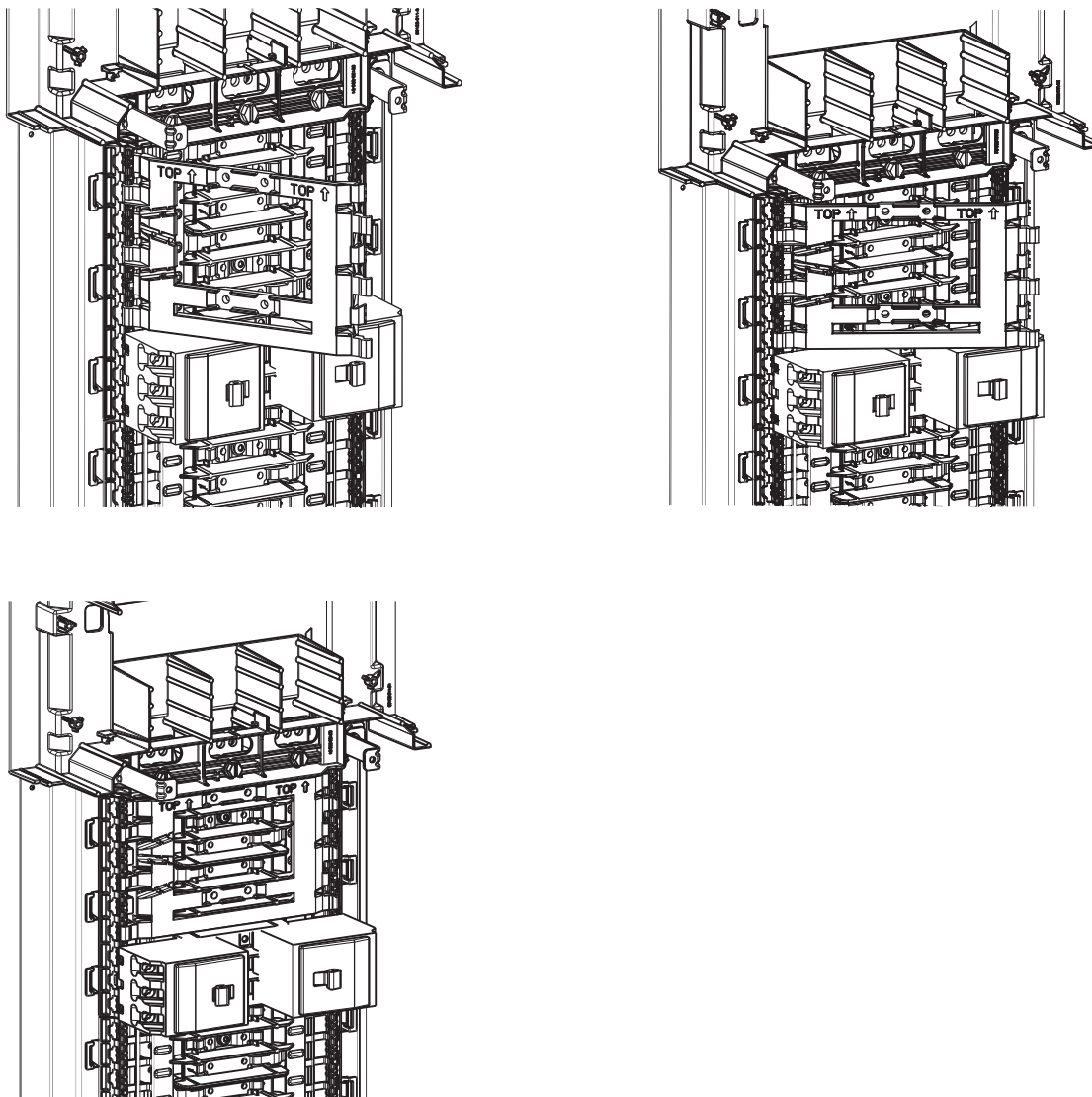
Instalación del ensamble SurgeLoc

1. Desconecte toda la alimentación del equipo antes de realizar cualquier trabajo dentro o fuera del gabinete que contiene este equipo.
2. Asegúrese de que el ensamble del SPD tenga la misma tensión nominal y configuración que el sistema de tensión y configuración del sistema de alimentación al que será conectado.
3. Retire la puerta del tablero, el frente muerto y el marco.
4. Para un mejor rendimiento ubique el SPD inmediatamente adyacente a las terminales de las barras principales.

NOTA: Mantenga los conductores de tierra y neutro lo más corto posible.

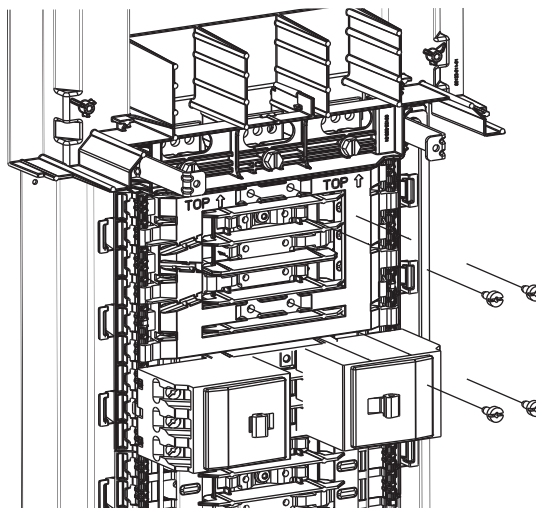
5. Parado frente al tablero, encaje el soporte de montaje empezando con el borde izquierdo del SPD. Vea la figura 2.

Figura 2 – Instalación del soporte de montaje



6. Instale los cuatro tornillos de montaje provistos. Vea la figura 3.
7. Conecte los conductores de las fases según los requisitos.

Figura 3 – Tornillos de montaje



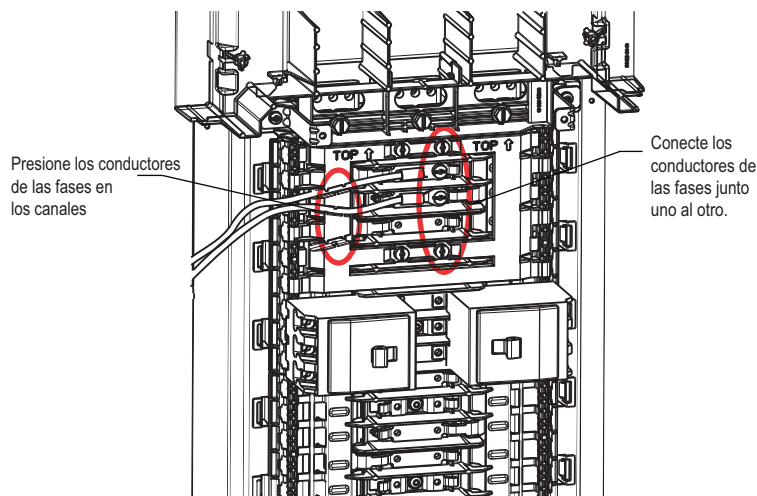
ESPAÑOL

Conexión del SPD directamente en las barras

Instalación en la barra de fase dividida.

1. Conecte los conductores de las fases a las barras adyacentes, como se muestra en la figura 4.

Figura 4 – Conexión de los conductores de las fases divididas



2. Asegúrese de que los conductores de las fases A y B estén conectados a las barras correspondientes.

NOTA: La tercera fila no tiene conexión.

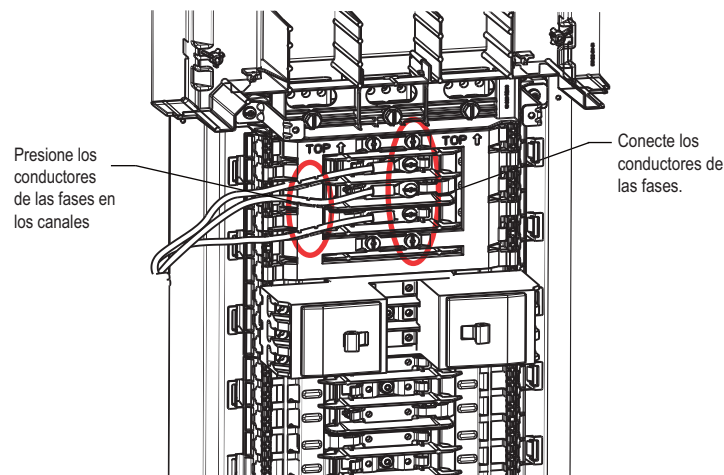
3. Presione los conductores de las fases en los canales en el soporte de montaje, como se muestra en la figura 4.

NOTA: Asegúrese de que los conductores de las fases no se pellizquen entre el soporte y la caja del SPD.

Instalación directamente sobre las barras, conexión en estrella de tres (3) fases

Conecte los conductores de las fases a las barras como se muestra en la figura 5.

Figura 5 – Conexión de los conductores de las fases en estrella/delta



Instalación directamente sobre las barras, en delta con extremo alto de tres (3) fases

1. Conecte los conductores de las fases a las barras como se muestra en la figura 5.

NOTA: El conductor anaranjado se debe conectar a la barra del extremo alto.

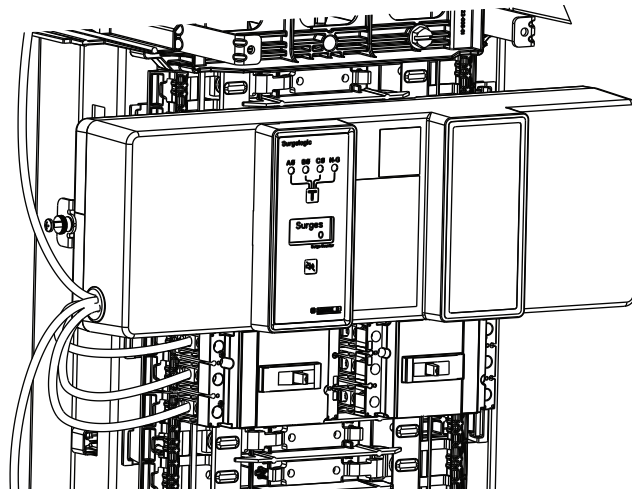
2. Asegúrese de que los conductores de las fases A, B y C estén conectados a las barras correspondientes.

Conexión del SPD a través de un DPCS (desconectador)

Conexión del SPD a través de un DPCS (desconectador)

1. Corte el conductor de la fase en la longitud deseada y pele el aislamiento según las instrucciones del fabricante del interruptor automático.
2. Asegúrese de que los conductores de las fases A, B y C (según sea requerido) estén conectados al DPCS dedicado. Vea la figura 6.

Figura 6 – Conexión del interruptor automático genérico

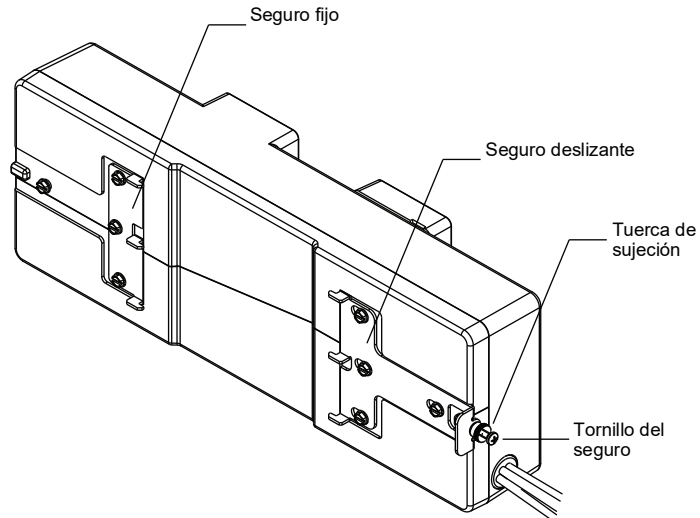


Instalación del SPD

Instale el SPD.

1. Consulte la figura 7 para obtener instrucciones sobre cómo asegurar el SPD al soporte de montaje.

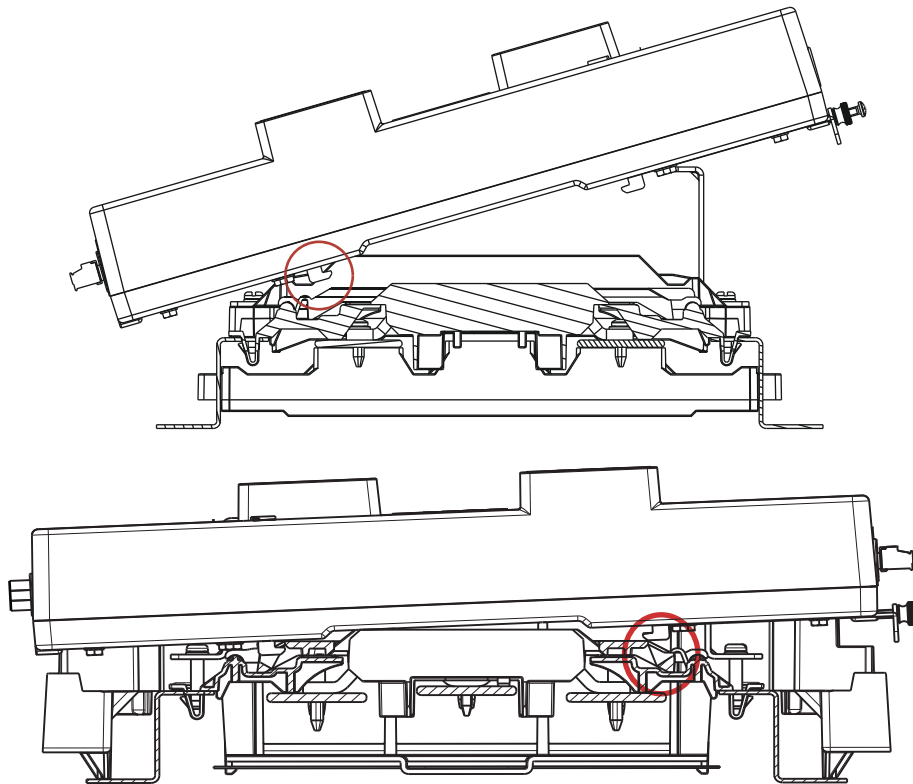
Figura 7 – Soportes de montaje del SPD



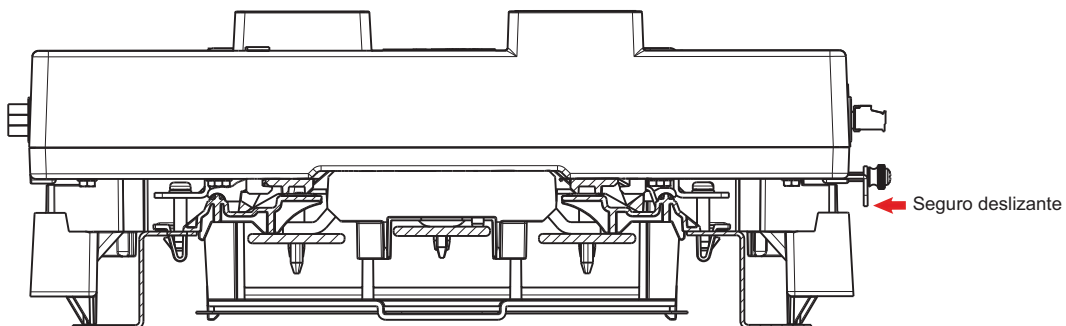
2. Desbloquee el seguro deslizante girando la tuerca de sujeción en sentido contrario a las manecillas del reloj hasta que haga contacto con la cabeza del tornillo del seguro.

NOTA: No afloje el tornillo del seguro.

3. Jale el seguro deslizante hacia afuera aproximadamente 1/4 pulg (6,5 mm) para colocarlo en la posición desbloqueada.
4. Enganche el seguro fijo en las ranuras del soporte de montaje. Vea la figura 8.

Figura 8 – Enclavamientos del soporte de montaje del SPD

5. Encaje el SPD en las ranuras izquierdas del soporte de montaje.

Figura 9 – Enganche del seguro deslizante

6. Presione el seguro deslizante hacia adentro para colocarlo en la posición bloqueada y apriete la tuerca.
7. Conecte el conductor de neutro a la barra de neutro y el conductor de tierra a la barra de tierra.

NOTA: Para un mejor rendimiento mantenga los conectores lo más corto posible y sin doblar con curvas pronunciadas.

NOTA: Este producto no funcionará correctamente sin conexiones a tierra y de neutro.

8. Asegúrese de que las conexiones estén bien sujetadas.
9. Quite todas las herramientas y los herrajes que retiró de la unidad.
10. Si es necesario retire doce (12) rectángulos removibles, seis (6) de cada lado, del frente muerto para correlacionar con el bisel del SPD.
11. Vuelva a colocar el frente muerto, la cubierta/puerta, y/o el marco del equipo.
12. Una vez realizados todos los pasos anteriores ya podrá volver a energizar el equipo.

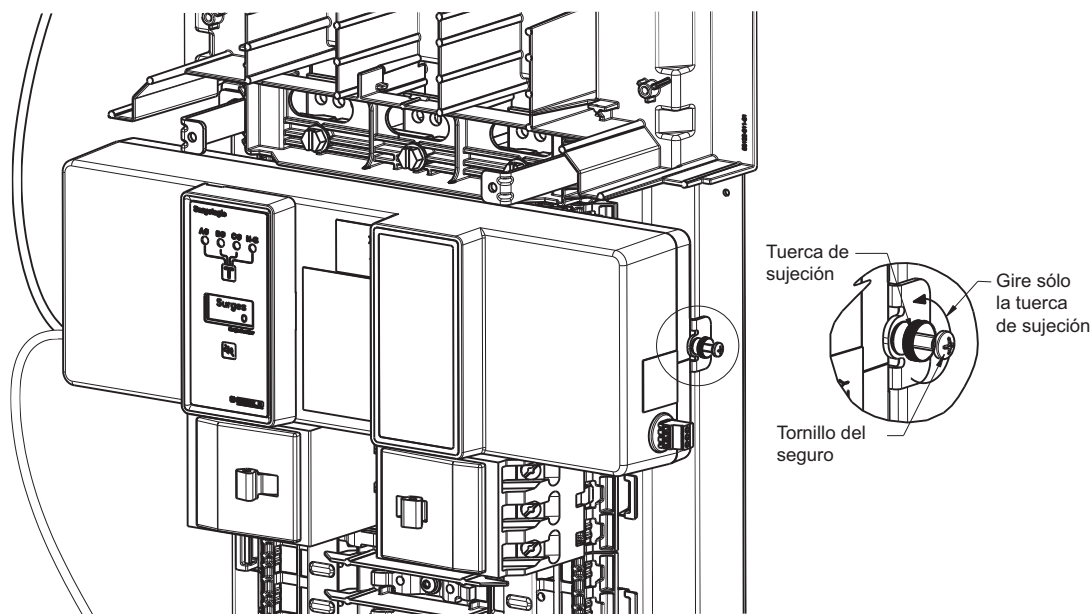
Desmontaje del ensamble SurgeLoc

1. Desenergice el equipo antes de realizar cualquier trabajo dentro o fuera del gabinete que contiene este equipo.
2. Quite todas las puertas, los marcos y el frente muerto, según las instrucciones del tablero, con el fin de exponer el SPD.
3. Afloje la tuerca de sujeción girándola en sentido contrario de las manecillas del reloj hasta que la tuerca llegue a la cabeza del tornillo del seguro. Consulte las figuras 7 y 10 para conocer la nomenclatura de las piezas.

NOTA: No quite ni afloje el tornillo del seguro.

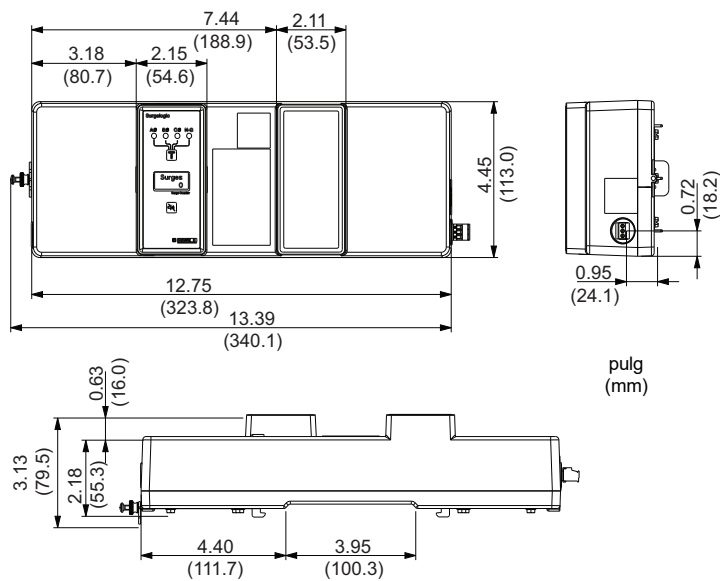
4. Jale el lado izquierdo de la unidad no modular hacia adelante aproximadamente 1/4 pulg (6,5 mm) para liberar el seguro deslizante de las ranuras del soporte de montaje.
5. Mueva el SPD entero hacia la izquierda aproximadamente 13 mm (1/2 pulg) para liberar el seguro fijo.
6. Retire los tres tornillos de las fases para desconectar los tres conductores de las fases y asegurar el SPD.
7. Desconecte los conductores de neutro y tierra.
8. Retire el ensamble del SPD.

Figura 10 – Desenganche de la tuerca del seguro



Dimensiones y pesos

Figura 11 – Dimensiones del SPD SurgeLoc



Peso aproximado	1,58 kg ± 0,453 kg (3,5 lbs ± 1 lbs)
Profundidad de la puerta	12,7 mm (0,5 pulg)
Profundidad total	6,24 pulg (158,5)

Diagramas de alambrado

Figura 12 – Instalación con fase dividida con conexión a tierra, 3 hilos, sin conexión de interruptor automático

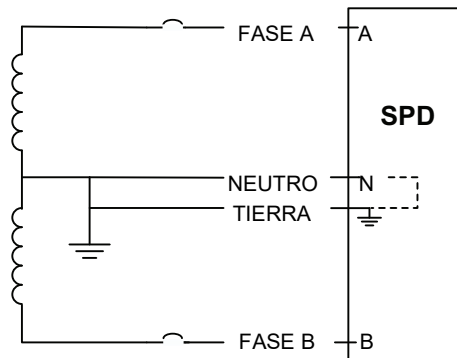


Figura 13 – Instalación en estrella con conexión a tierra de tres fases, 4 hilos, sin conexión de interruptor automático

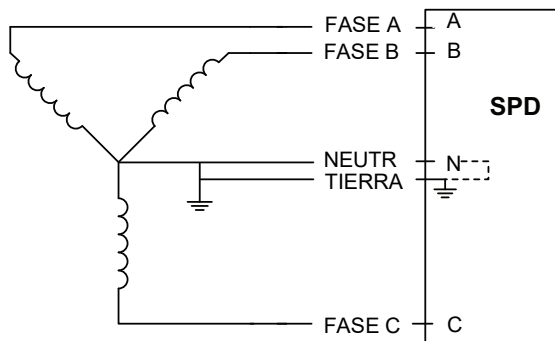
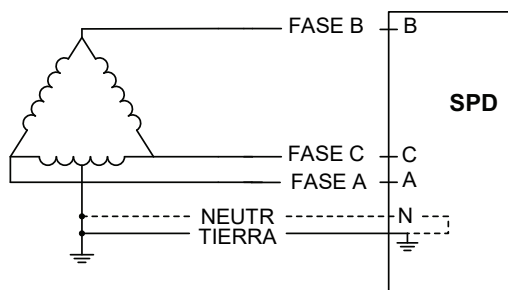


Figura 14 – Instalación en delta con extremo alto de 3 fases, 4 hilos, sin conexión de interruptor automático



ESPAÑOL

Diagramas de alambrado con interruptor automático

Figura 15 – Instalación de fase dividida con puesta a tierra, 3 hilos con conexión de interruptor automático

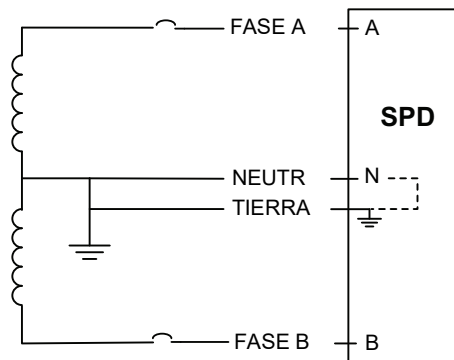


Figura 16 – Instalación en estrella, puesta a tierra de 3 fases, 4 hilos con conexión de interruptor automático

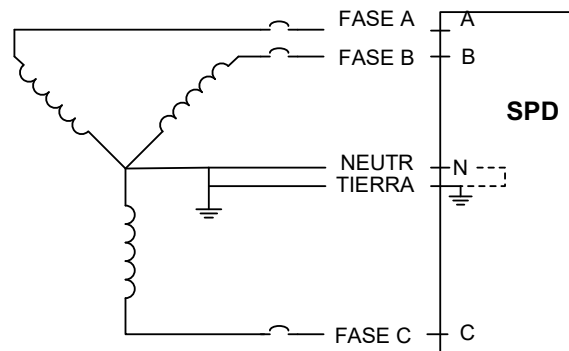
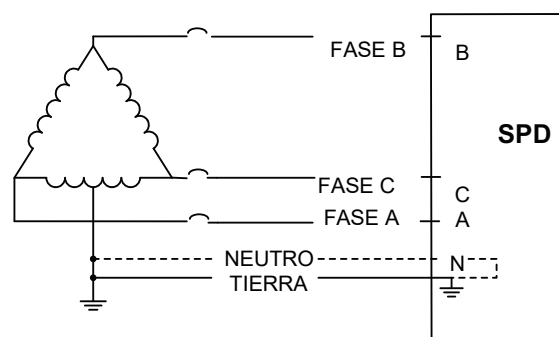


Figura 17 – Instalación en delta con extremo alto de 3 fases, 4 hilos con conexión de interruptor automático



Funcionamiento

⚠️ PELIGRO

PELIGRO DE DESCARGA ELÉCTRICA, EXPLOSIÓN O DESTELLO POR ARQUEO

- Utilice equipo de protección personal (EPP) apropiado y siga las prácticas de seguridad en trabajos eléctricos establecidas por su Compañía, consulte la norma 70E de NFPA o Z462 de CSA y NOM-029-STPS.
- Solamente el personal eléctrico calificado deberá instalar y prestar servicio de mantenimiento a este equipo.
- Desconecte toda la alimentación del equipo antes de realizar cualquier trabajo dentro o fuera de él.
- Siempre utilice un dispositivo detector de tensión de valor nominal adecuado para confirmar la desenergización del equipo.
- Vuelva a colocar todos los dispositivos, las puertas y las cubiertas antes de volver a energizar el equipo.
- Este equipo deberá estar correctamente conectado a tierra de acuerdo con todos los códigos aplicables. Utilice un conductor de conexión a tierra del equipo para conectar este último a la tierra del sistema de alimentación.

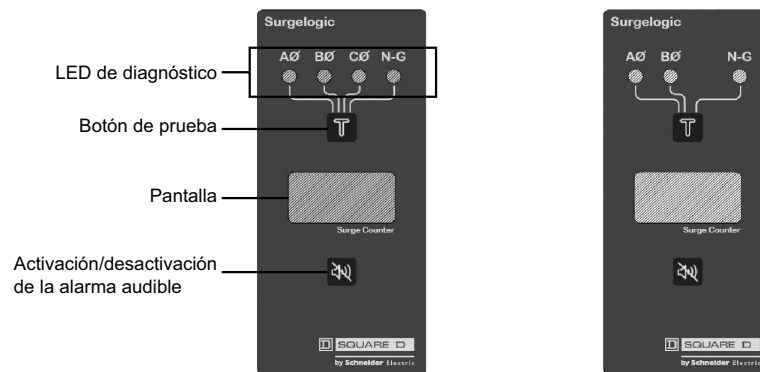
El incumplimiento de estas instrucciones podrá causar la muerte o lesiones serias.

ESPAÑOL

Indicadores de estado LED

La pantalla de visualización de diagnóstico del SPD muestra el estado de cada fase a través de los LED verde/rojo (vea la figura 18). Si el SPD está funcionando correctamente, todos los LED de las fases se iluminarán en verde. Si los LED no se iluminan en verde siga el diagrama de flujo de solución de problemas, figura 20.

Figura 18: LED de diagnóstico del SPD



Alarma audible

Pulse el botón de activación/desactivación de la alarma para activarla o desactivarla (vea la figura 18). El estado de la alarma será identificado en la pantalla.

Contador de sobretensiones transitorias

El contador de sobretensiones transitorias muestra la cantidad de sobretensiones transitorias que ocurrieron desde la última vez que se puso el contador en ceros. Para restablecer el contador de sobretensiones transitorias oprima y mantenga oprimido el botón de prueba "Test" durante unos 6 segundos.

Contactos secos

PELIGRO

PELIGRO DE DESCARGA ELÉCTRICA, EXPLOSIÓN O DESTELLO POR ARQUEO

- Emplee el alambrado para contactos secos de 600 V~ nominales.
- El alambrado para contactos secos deberá tener una sección de cable desnudo de menos de 1/16 pulg (1,6 mm) desde el bloque de contactos secos.
- Mantenga una separación de por lo menos 1 pulg (25 mm) entre el alambrado de los contactos secos y el alambrado de la alimentación en el gabinete.

El incumplimiento de estas instrucciones podrá causar la muerte o lesiones serias.

El SPD serie NQ SurgeLoc viene equipado con contactos secos. Los contactos secos forma C son de tres posiciones con conexiones normalmente abierto, normalmente cerrado y común.

En el estado desenergizado el contacto está cerrado entre las terminales NC y COM. Esto es también la condición de alarma. El estado opuesto, cerrado entre las terminales NA y COM, indica que la unidad está energizada y que no existe ninguna condición de alarma (consulte la tabla 3).

Estos contactos se utilizan para proporcionar información remota sobre el estado de funcionamiento del SPD a una tarjeta de interfaz con la computadora o a un sistema de gestión de emergencia. Asimismo, estos contactos han sido diseñados para funcionar con la opción de monitor remoto del SPD, descrita en la siguiente sección.

Tabla 3 – Configuración de los contactos secos

Terminales de los contactos de alarma	Estado de los contactos, SPD energizado
NA a COM	Cerrado
NC a COM	Abierto

Estos contactos han sido diseñados para resistir una tensión máxima de 250 V~ / 30 Vcd y una corriente máxima de 6 A. La carga de conmutación mínima es de 10 mA en 5 Vcd. Es posible que las aplicaciones que necesiten mayor energía tengan que agregar un relevador adicional fuera del SPD. Daños al relevador del SPD causados por niveles de energía mayores que los valores sugeridos en este boletín de instrucciones no están cubiertos por la garantía. Si tiene alguna pregunta con respecto a la aplicación, póngase en contacto con el grupo de asistencia técnica SurgeLogic llamando al 1-800-577-7353 en EUA).

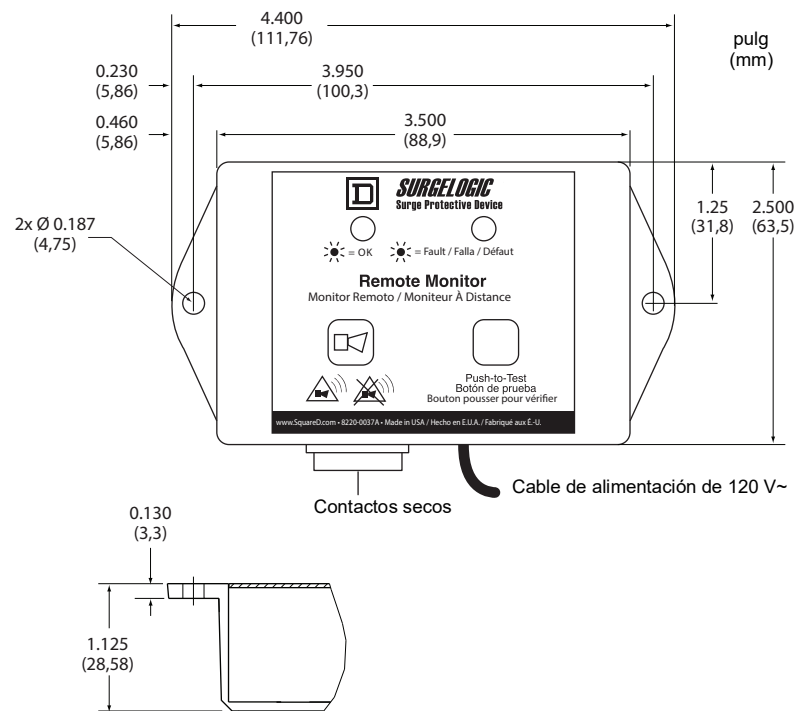
Monitor remoto opcional

La opción de monitor remoto tiene dos LED, uno rojo y el otro verde, así como una alarma audible con un conmutador de activación/desactivación. Durante un estado normal, el LED verde estará iluminado y no sonará la alarma. Para probar la integridad del monitor remoto, presione el botón de prueba. Si la alarma está activada, el LED verde se apagará, el LED rojo se iluminará y la alarma sonará. Al soltar el botón de prueba terminará la prueba; el LED rojo se apagará, el LED verde se iluminará y la alarma se apagará.

Si se llegase a perder la supresión de alguna fase; el LED verde se apagará, el LED rojo se iluminará y la alarma sonará. La alarma audible se puede apagar presionando el botón de activación/desactivación. La alarma dejará de sonar y el LED verde designado para la alarma no se iluminará. El LED rojo continuará iluminado hasta que se restablezca la condición de inoperabilidad.

El monitor remoto incluye un adaptador de 120 V~ a 12 Vcd con un cable de alimentación de 6 pies (1,83 m). Las conexiones a la pantalla de diagnóstico del SPD se realizan con los contactos secos forma C de tres posiciones (incluidos) y un conductor de 22 a 14 AWG, alambre sencillo o cable trenzado de longitud apropiada de 1 000 pies (305 m), no incluido.

Figura 19 – Monitor remoto opcional (TVS12RMU)



Servicio de mantenimiento y diagnóstico de problemas

PELIGRO

PELIGRO DE DESCARGA ELÉCTRICA, EXPLOSIÓN O DESTELLO POR ARQUEO

- Utilice equipo de protección personal (EPP) apropiado y siga las prácticas de seguridad en trabajos eléctricos establecidas por su Compañía, consulte la norma 70E de NFPA o Z462 de CSA y NOM-029-STPS.
- Solamente el personal eléctrico calificado deberá instalar y prestar servicio de mantenimiento a este equipo.
- Desconecte toda la alimentación del equipo antes de realizar cualquier trabajo dentro o fuera de él.
- Siempre utilice un dispositivo detector de tensión de valor nominal adecuado para confirmar la desenergización del equipo.
- Vuelva a colocar todos los dispositivos, las puertas y las cubiertas antes de volver a energizar el equipo.
- Este equipo deberá estar correctamente conectado a tierra de acuerdo con los códigos aplicables. Utilice un conductor de conexión a tierra del equipo para conectar este último a la tierra del sistema de alimentación.

El incumplimiento de estas instrucciones podrá causar la muerte o lesiones serias.

Servicio de mantenimiento preventivo

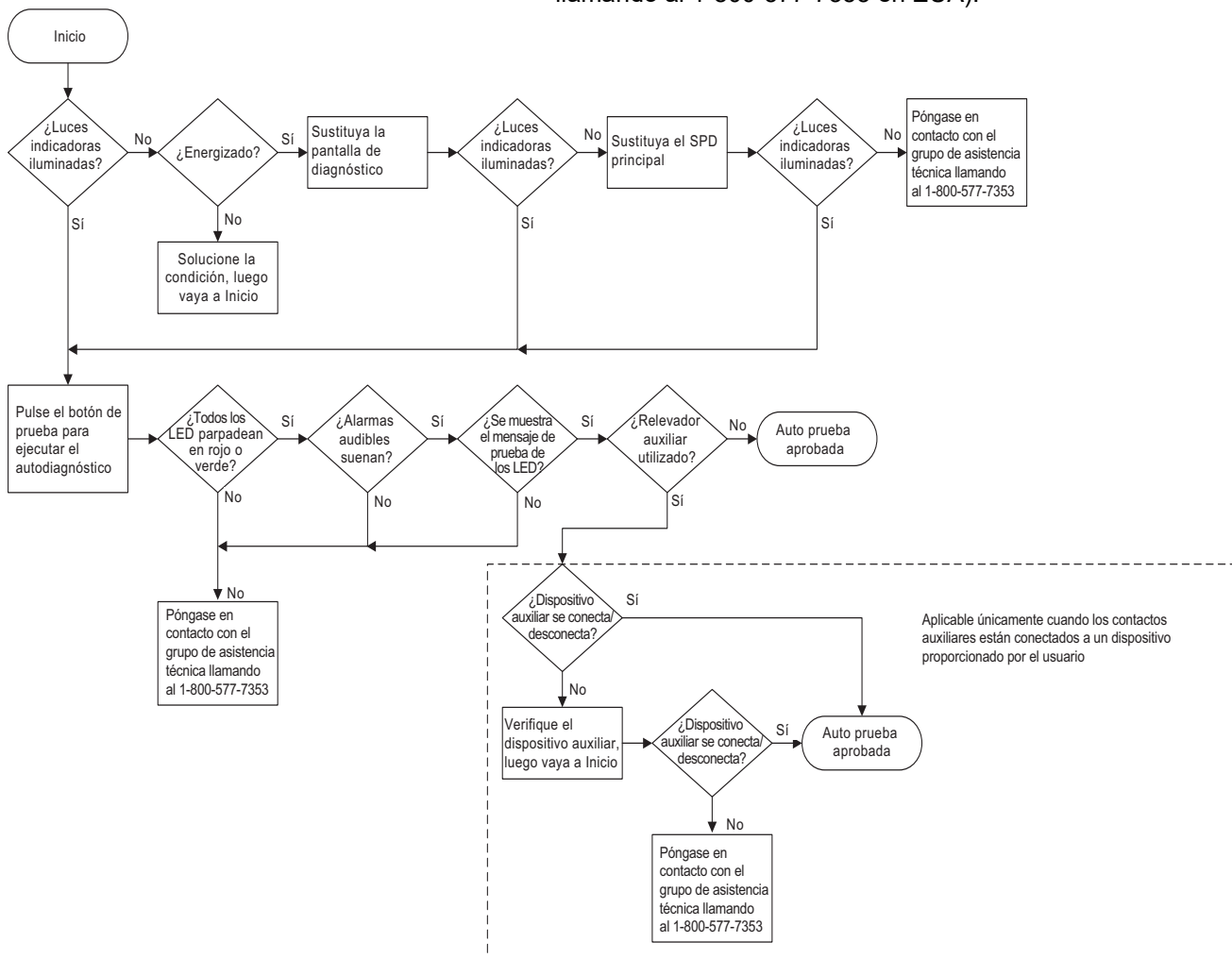
Realice una inspección periódica al SPD para mantener un funcionamiento del sistema y una supresión continua de sobretensiones transitorias. También, revise periódicamente el estado de los indicadores LED de la pantalla de diagnóstico. Rutinariamente, utilice los indicadores de diagnóstico incorporados para confirmar el estado del SPD.

Diagnóstico de problemas

Si la pantalla de visualización SurgeLoc muestra una luz indicadora de fase en rojo, consulte el cuadro de flujo de diagnóstico de problemas en la figura 20.

Figura 20 – Cuadro de flujo de diagnóstico de problemas

NOTA: Para obtener asistencia adicional, póngase en contacto con el grupo de asistencia técnica SurgeLogic llamando al 1-800-577-7353 en EUA).



ESPAÑOL

Importado en México por:

Schneider Electric México, S.A. de C.V.

Av. Ejercito Nacional No. 904

Col. Palmas, Polanco 11560 México, D.F.

55-5804-5000

www.se.com/mx

Normas, especificaciones y diseños pueden cambiar, por lo tanto pida confirmación de que la información de esta publicación está actualizada.

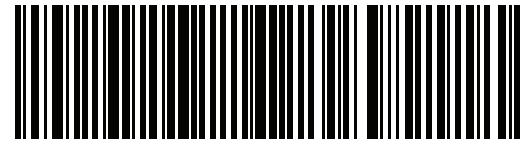
Schneider Electric y Square D son marcas comerciales y propiedad de Schneider Electric SE, sus filiales y compañías afiliadas. Todas las otras marcas comerciales son propiedad de sus respectivos propietarios.

© 2021 Schneider Electric Reservados todos los derechos

8400-0002 Rev.06, 02/2021

Reemplaza 8400-0002 Rev.05, 02/2021

SurgeLogic^{MC}



Assemblage non-modulaire NQ SurgeLoc^{MC} Dispositif de protection contre les surtensions transitoires (SPD)

Directives d'utilisation

8400-0002
02/2021

À conserver pour usage ultérieur.



FRANÇAIS

Table des matières

Précautions	5
Introduction.....	6
Déballage et inspection préliminaire	7
Entreposage	7
Étiquettes de sécurité	7
Considérations sur l'emplacement du dispositif de protection contre les surtensions (SPD).....	7
Environnement	7
Bruit audible	7
Montage	7
Dégagement pour l'entretien	7
Rendement de l'appareil	7
Caractéristiques électriques.....	8
Tension nominale	8
Protection contre les surintensités d'un circuit de dérivation	9
Emplacement du dispositif de protection contre les surtensions transitoires (SPD)	10
Mise à la terre.....	10
Généralités	11
Système d'alimentation avec mise à la terre directe	11
Installation	12
Installation de l'assemblage SurgeLoc	13
Raccordement direct du SPD aux barres-bus	14
Raccordement du SPD au moyen d'un OCPD (sectionneur)	15
Installation du SPD	16
Retrait de l'assemblage SurgeLoc	18
Dimensions et poids	19
Schémas de câblage	20
Schémas de câblage avec disjoncteur	21
Fonctionnement.....	22
Indicateurs d'état DÉL	22
Alarme sonore	22
Compteur de surtensions	23
Contacts secs	23

Option de moniteur à distance	24
Entretien et dépannage	25
Entretien préventif	25
Dépannage	25

Précautions



AVERTISSEMENT: Ce produit peut vous exposer à des agents chimiques, y compris noir de carbone, identifiés par l'État de Californie comme pouvant causer le cancer, et Bisphénol A (BPA) reconnus par l'État de Californie comme pouvant causer des malformations congénitales ou autres troubles de l'appareil reproducteur. Pour de plus amples informations, prière de consulter

www.P65Warnings.ca.gov.

⚠ ⚠ DANGER

RISQUE D'ÉLECTROCUTION, D'EXPLOSION OU ÉCLAIR D'ARC ÉLECTRIQUE

- Portez un équipement de protection personnelle (ÉPP) approprié et observez les méthodes de travail électrique sécuritaire. Voir NFPA 70E ou CSA Z462.
- Seul un personnel qualifié doit effectuer l'installation et l'entretien de cet appareil.
- Coupez toutes les alimentations à cet appareil avant d'y travailler.
- Utilisez toujours un dispositif de détection de tension à valeur nominale appropriée pour vous assurer que l'alimentation est coupée.
- Remplacez tous les dispositifs, les portes et les couvercles avant de mettre l'appareil sous tension.
- Cet appareil doit être effectivement mis à la terre selon tous les codes en vigueur. Utilisez un conducteur de m.à.l.t. d'appareil pour raccorder celui-ci à la terre du système d'alimentation.

Si ces directives ne sont pas respectées, cela entraînera la mort ou des blessures graves.

⚠ ATTENTION

PERTE D'ALIMENTATION DU CIRCUIT DE DÉRIVATION/PERTE DE SUPPRESSION DES SURTENSIONS TRANSITOIRES

- Assurez-vous que la caractéristique de déclenchement du fusible ou disjoncteur de dérivation a été coordonnée avec les composants de surintensité à l'intérieur du dispositif de protection contre les surtensions transitoires (voir le tableau 1).
- Effectuez une inspection périodique des voyants d'état du dispositif de protection contre les surtensions transitoires comme partie du programme d'entretien préventif.
- Réparez promptement le dispositif de protection contre les surtensions transitoires en présence d'un état d'alarme.
- Utilisez des contacts secs pour signaler un état d'alarme au système de surveillance central pour les installations sans intervention humaine, inaccessibles ou critiques.
- Utilisez plusieurs dispositifs de protection contre les surtensions transitoires pour obtenir une redondance pour les applications critiques.

Si ces directives ne sont pas respectées, cela peut entraîner des blessures ou des dommages matériels.

Dans les conditions de fin de vie utile, les dispositifs de protection contre les surtensions transitoires (SPD) peuvent perdre la capacité de blocage de la tension du système d'alimentation et essayer de consommer un courant de ligne excessif. Ce SPD est muni des composants de surintensité et surchauffe qui déconnectent de l'alimentation électrique les éléments de suppression de surtensions transitoires si ces éléments atteignent la fin de leur vie utile. Un déclenchement du fusible ou disjoncteur de dérivation alimentant le SPD peut se produire lorsque les éléments de suppression de surtensions transitoires atteignent la fin de leur vie utile.

⚠ ATTENTION**PERTE DE SUPPRESSION DES SURTENSIONS TRANSITOIRES**

- Ne mettez pas les dispositifs de protection contre les surtensions transitoires sous tension avant que le système électrique soit complètement installé, inspecté, essayé et que tous les conducteurs soient raccordés et fonctionnels, y compris le neutre.
- Vérifiez la tension nominale du dispositif et du système avant de mettre sous tension le dispositif de protection contre les surtensions transitoires.
- Effectuez un essai d'isolation à potentiel élevé ou tous autres essais où des composants du dispositif de protection contre les surtensions transitoires seront soumis à des tensions supérieures à leur tension nominale de mise sous tension, avec le neutre et le dispositif de protection contre les surtensions transitoires déconnectés de la source d'alimentation.

Si ces directives ne sont pas respectées, cela peut entraîner des blessures ou des dommages matériels.

Introduction**⚠ ⚠ DANGER****RISQUE D'ÉLECTROCUTION, D'EXPLOSION OU ÉCLAIR D'ARC ÉLECTRIQUE**

- Portez un équipement de protection personnelle (ÉPP) approprié et observez les méthodes de travail électrique sécuritaire. Voir NFPA 70E ou CSA Z462.
- Seul un personnel qualifié doit effectuer l'installation et l'entretien de cet appareil.
- Coupez toutes les alimentations à cet appareil avant d'y travailler.
- Utilisez toujours un dispositif de détection de tension à valeur nominale appropriée pour vous assurer que l'alimentation est coupée.
- Remplacez tous les dispositifs, les portes et les couvercles avant de mettre l'appareil sous tension.
- Cet appareil doit être effectivement mis à la terre selon tous les codes en vigueur. Utilisez un conducteur de m.à.l.t. d'appareil pour raccorder celui-ci à la terre du système d'alimentation.

Si ces directives ne sont pas respectées, cela entraînera la mort ou des blessures graves.

REMARQUE : Pour les besoins de dépannage, appeler le groupe d'assistance technique SurgeLogic au 1-800-577-7353 (É.-U.).

Une bonne installation est impérative pour obtenir l'efficacité et le rendement maximaux du SPD de l'assemblage NQ SurgeLoc. L'installateur doit observer les points indiqués dans ces directives d'utilisation afin d'assurer une installation correcte. Lire les directives d'utilisation en entier avant de commencer l'installation. Ces directives ne sont pas destinées à remplacer les codes d'électricité nationaux ou locaux. Consulter tous les codes d'électricité en vigueur pour vérifier la conformité. L'installation des dispositifs non-modulaires de protection contre les surtensions transitoires NQ ne doit être effectuée que par des électriciens qualifiés.

Déballage et inspection préliminaire

Inspecter entièrement l'emballage d'expédition pour détecter d'éventuels dommages ou signes de mauvaise manutention avant de déballer le dispositif. Retirer les matériaux d'emballage et inspecter encore le dispositif afin de s'assurer qu'il n'a subi aucune détérioration au cours du transport. En cas de dommages résultant du transport ou de la manutention, remplir immédiatement un bordereau de réclamation destiné à l'entreprise de transport.

Entreposage

Le dispositif doit être entreposé dans un endroit propre et sec. La température d'entreposage est de -40 à +65 °C (-40 à +149 °F). Tous les matériaux d'emballage doivent être conservés intacts jusqu'à ce que le dispositif soit prêt à être installé.

Étiquettes de sécurité

Les versions en anglais/espagnol/français de toutes les étiquettes de sécurité (danger, avertissement et attention) sont fournies.

Considérations sur l'emplacement du dispositif de protection contre les surtensions (SPD)

Environnement

Le dispositif est conçu pour fonctionner dans une gamme de températures ambiantes de -20 à +40 °C (-4 à +104 °F) avec une humidité relative de 0 à 95 % sans condensation. La température de fonctionnement de l'affichage à cristaux liquides (ACL) sur le panneau de surveillance des diagnostics est de -10 à +60 °C (+14 à +140 °F). Tous les dispositifs NQ SurgeLoc fonctionnent normalement sans réduction de rendement lorsqu'ils subissent des chocs ou vibrations décrits dans la norme IEC 60068-2-6, Classe 3M4.

Bruit audible

Le bruit de fond du dispositif est négligeable et ne limite pas l'emplacement d'installation.

Montage

Se reporter à la figure 11 à la page 19 pour les poids et dimensions de montage typiques.

Dégagement pour l'entretien

Le dégagement pour l'entretien doit répondre à toutes les exigences des codes en vigueur.

Rendement de l'appareil

Pour obtenir le rendement maximum du système, placer le dispositif aussi près que possible du circuit concerné afin de réduire au minimum la longueur du câblage d'interconnexion. Pour chaque pied (30,5 cm) de longueur de fil, environ 160 V (6kV/3kA, 8/20 microsecondes) sont ajoutés à la tension supprimée. Le niveau de protection en tension (VPR) est indiqué sur la plaque signalétique du dispositif et est mesuré à 152 mm (6 po) à partir de la paroi latérale du coffret, selon UL® 1449 quatrième édition.

Caractéristiques électriques

Tension nominale

DANGER

RISQUE D'ÉLECTROCUTION, D'EXPLOSION OU ÉCLAIR D'ARC ÉLECTRIQUE

Assurez-vous que la tension nominale du dispositif de protection contre les surtensions transitoires sur la plaque signalétique est la même que la tension de fonctionnement.

Si ces directives ne sont pas respectées, cela entraînera la mort ou des blessures graves.

Avant de monter le SPD, vérifier s'il possède la même tension nominale que le système de distribution d'alimentation dans lequel il est installé. Comparer la tension de la plaque signalétique sur le SPD avec la tension de la plaque signalétique de l'appareil de distribution électrique.

Le spécificateur ou utilisateur du dispositif doit être familier avec la configuration et l'agencement du système de distribution d'alimentation dans lequel un SPD doit être installé. La configuration d'un système de distribution d'alimentation est strictement basée sur la façon dont les bobinages secondaires du transformateur assurant l'alimentation du secteur ou de la charge d'entrée de service sont configurés. Ceci oblige à déterminer si les bobinages du transformateur sont ou non reliés à la terre par un conducteur de m.à.l.t. La configuration du système n'est pas basée sur la façon dont une charge ou un appareil spécifique est raccordé à un système de distribution d'alimentation particulier. Voir le tableau 1 pour la tension de service de chaque SPD.

Tableau 1 – Tensions nominales¹

Tension de service	Courant nominal de surtension crête par phase	N° de catalogue
120/240 V, monophasée, 3 fils + terre	80 kA	SSP01SBA08D
	100 kA	SSP01SBA10D
	120 kA	SSP01SBA12D
	160 kA	SSP01SBA16D
	200 kA	SSP01SBA20D
	240 kA	SSP01SBA24D
120/208 V ¹ , triphasée, 4 fils + terre	80 kA	SSP02SBA08D
	100 kA	SSP02SBA10D
	120 kA	SSP02SBA12D
	160 kA	SSP02SBA16D
	200 kA	SSP02SBA20D
	240 kA	SSP02SBA24D
240/120 V, Sommet du triangle, triphasée, 4 fils + terre	80 kA	SSP03SBA08D
	100 kA	SSP03SBA10D
	120 kA	SSP03SBA12D
	160 kA	SSP03SBA16D
	200 kA	SSP03SBA20D
	240 kA	SSP03SBA24D

¹ Convient à un circuit capable de fournir au maximum 200kA RMS symétriques.

Couple de serrage des bornes et calibre du fil

Ce SPD est conçu pour fonctionner dans les panneaux de distribution type NQ de Square D^{MC}. Seules les vis de barres-bus de panneau de distribution doivent être utilisées pour connecter les bornes à anneau de phase à la barre-bus.

Tableau 2 – Couple de serrage de bornes

Raccordements d'alimentation	Couple de serrage
AØ, BØ, CØ et N	2 N•m (18 lb-po)
Terre	

Protection contre les surintensités d'un circuit de dérivation

⚠ ⚠ DANGER

RISQUE D'ÉLECTROCUTION, D'EXPLOSION OU ÉCLAIR D'ARC ÉLECTRIQUE

- Utilisez des conducteurs de valeur nominale adéquate pour le dispositif de protection contre les surintensités (OCPD) selon les codes en vigueur.
- Utilisez des conducteurs de valeur nominale adéquate pour l'application selon les codes en vigueur.

Si ces directives ne sont pas respectées, cela entraînera la mort ou des blessures graves.

Les SPD, UL 1449 type 1, ont été conçus et approuvés pour les applications côté ligne avant le sectionneur de service principal sans protection supplémentaire contre les surintensités.

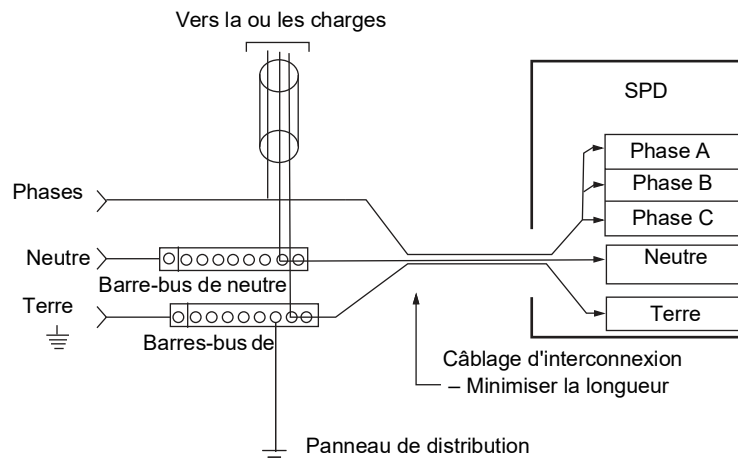
Les SPD type 1 peuvent être également utilisés dans les applications de type 2 (côté charge du OCPD). Lorsque des SPD type 1 ou type 2 sont utilisés sur le côté charge, ils doivent être installés selon les codes locaux. Un dispositif de protection contre les surintensités (OCPD) d'un circuit de dérivation, sous la forme d'un disjoncteur ou d'un fusible, doit être fourni pour le SPD. fonctionne correctement.

FRANÇAIS

Emplacement du dispositif de protection contre les surtensions transitoires (SPD)

Placer le SPD aussi près que possible du circuit concerné afin de minimiser la longueur de fil et de maximiser le rendement du SPD. Éviter les longs cheminements de fils de façon à ce que le dispositif fonctionne comme prévu. Éviter les courbures accentuées sur les conducteurs. Voir la figure 1.

Figure 1 – Méthode de câblage du dispositif de protection contre les surtensions transitoires



Mise à la terre

⚡ ⚠ DANGER

RISQUE D'ÉLECTROCUTION, D'EXPLOSION OU DÉCLAIR D'ARC ÉLECTRIQUE

- Raccordez la borne de m.à.l.t. du dispositif de protection contre les surtensions transitoires à la structure de la grille de m.à.l.t. de l'immeuble
- Utilisez un conducteur de m.à.l.t. de calibre approprié pour l'appareil.
- N'utilisez pas une m.à.l.t. isolée séparée pour l'assemblage NQ SurgeLoc.
- Vérifiez la continuité de la grille de m.à.l.t. en effectuant régulièrement les inspections planifiées et en faisant des essais dans le cadre du programme complet d'entretien électrique.

Si ces directives ne sont pas respectées, cela entraînera la mort ou des blessures graves.

Généralités

Le SPD NQ possède des éléments raccordés de la phase à la terre. Il est essentiel qu'il existe un raccordement robuste et efficace à la structure de m.à.l.t. de l'immeuble. Le raccordement de m.à.l.t. doit utiliser un conducteur de m.à.l.t. d'appareil acheminé avec le raccordement de phase et de neutre (si présent) du système d'alimentation. Le SPD ne doit pas être raccordé à une mise à la terre isolée séparée.

Pour assurer la meilleure suppression des surtensions par le SPD NQ, utiliser un système de m.à.l.t. à un seul point, où le système d'électrode de m.à.l.t. de l'entrée de service est raccordé et fixé à toutes les autres électrodes disponibles, à l'acier de l'immeuble, aux tuyaux métalliques d'eau, aux tiges guidées, etc. (pour référence, voir IEEE 142-2007). La mesure de l'impédance de la m.à.l.t. du système électrique doit être aussi faible que possible et conforme à tous les codes en vigueur.

Système d'alimentation avec mise à la terre directe

AVIS

ENDOMMAGEMENT DU SPD ET SURTENSION DU SYSTÈME D'ALIMENTATION

- Ne raccordez pas les dispositifs classés pour une utilisation sur des systèmes d'alimentation avec mise à la terre directe à des systèmes d'alimentation avec mise à la terre à résistance (par exemple, HRG) ou non mis à la terre.
- Vérifiez si l'appareil d'entrée de service est relié à la terre conformément à tous les codes en vigueur.
- Vérifiez si la borne du neutre du transformateur du système d'alimentation qui alimente le dispositif est reliée à la terre du système conformément à tous les codes en vigueur.

Si ces directives ne sont pas respectées, cela peut entraîner des dommages matériels.

Les dispositifs SPD classés pour une utilisation sur des systèmes d'alimentation avec mise à la terre directe ne doivent pas être raccordés à des systèmes d'alimentation avec mise à la terre à résistance (par exemple, HRG) ou non mis à la terre. Un tel raccordement peut entraîner l'endommagement du SPD.

Toujours vérifier la configuration de la m.à.l.t. du système d'alimentation avant de mettre le dispositif sous tension. S'assurer que tous les raccordements à la terre sont installés sur l'appareil d'entrée de service ainsi que sur le transformateur du système d'alimentation avant de mettre sous tension.

Installation

DANGER

RISQUE D'ÉLECTROCUTION, D'EXPLOSION OU ÉCLAIR D'ARC ÉLECTRIQUE

- Portez un équipement de protection personnelle (ÉPP) approprié et observez les méthodes de travail électrique sécuritaire. Voir NFPA 70E ou CSA Z462.
- Seul un personnel qualifié doit effectuer l'installation et l'entretien de cet appareil.
- Coupez toutes les alimentations à cet appareil avant d'y travailler.
- Utilisez toujours un dispositif de détection de tension à valeur nominale appropriée pour vous assurer que l'alimentation est coupée.
- Remplacez tous les dispositifs, les portes et les couvercles avant de mettre l'appareil sous tension.
- Cet appareil doit être effectivement mis à la terre selon tous les codes en vigueur. Utilisez un conducteur de m.à.l.t. d'appareil pour raccorder celui-ci à la terre du système d'alimentation.

Si ces directives ne sont pas respectées, cela entraînera la mort ou des blessures graves.

DANGER

RISQUE D'ÉLECTROCUTION, D'EXPLOSION OU ÉCLAIR D'ARC ÉLECTRIQUE

Assurez-vous que la tension nominale du dispositif de protection contre les surtensions transitoires sur la plaque signalétique est la même que la tension de fonctionnement.

Si ces directives ne sont pas respectées, cela entraînera la mort ou des blessures graves.

Suivre les points ci-dessous lors des raccordements de câblage.

Pour toutes questions concernant l'installation de ce dispositif, appeler le groupe d'assistance technique SurgeLogic au 1-800-577-7353 (É.-U.).

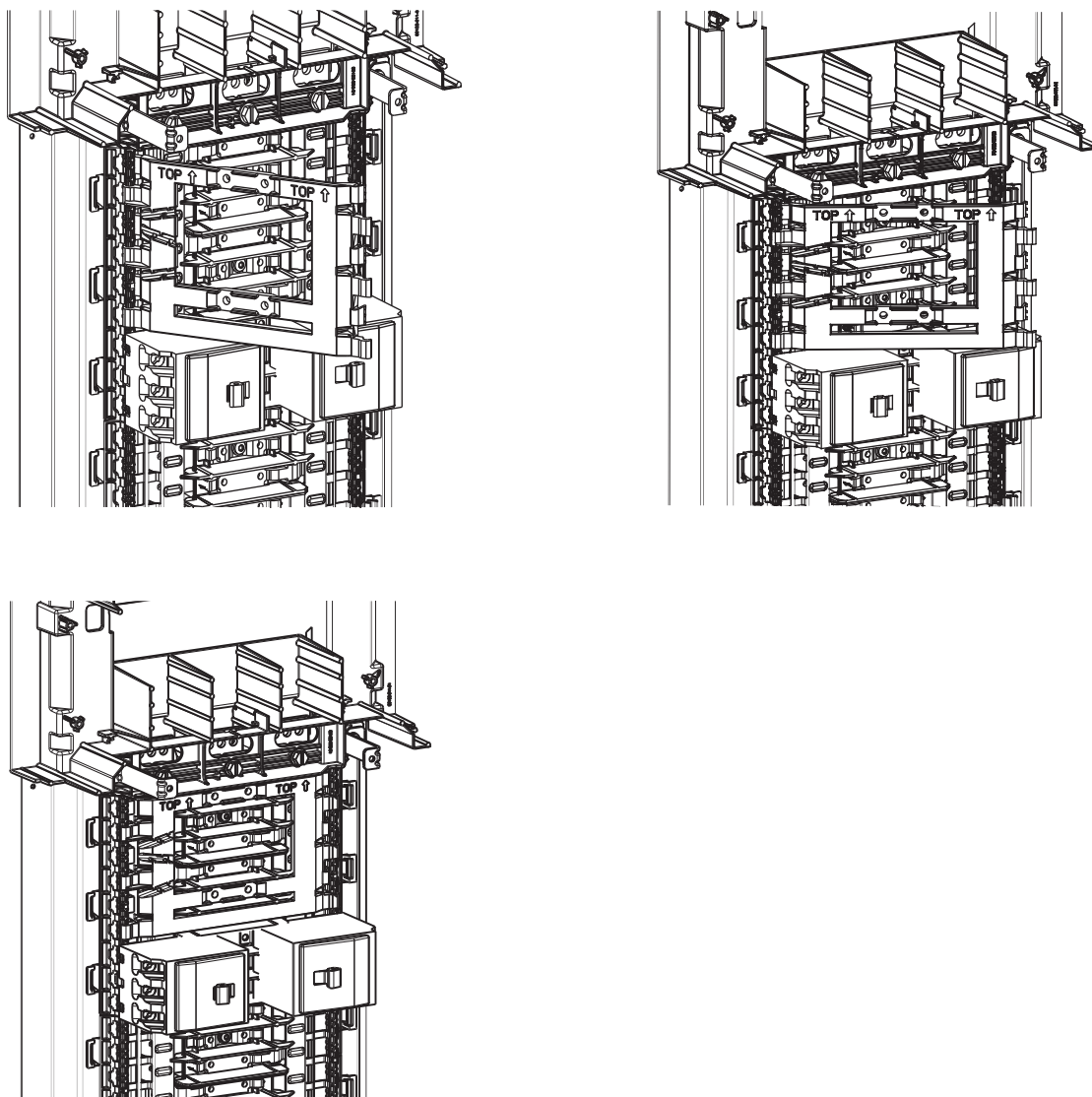
Installation de l'assemblage SurgeLoc

1. Couper toute alimentation vers cet appareil avant de travailler sur ou à l'intérieur du coffret contenant cet appareil.
2. S'assurer que l'assemblage SPD a la même tension nominale et la même configuration du système d'alimentation auquel il sera raccordé.
3. Enlever la porte du panneau, l'écran isolant et la garniture.
4. Pour obtenir la meilleure performance, localiser le SPD immédiatement adjacent aux bornes de la barre-bus principale.

REMARQUE : Maintenir les fils de m.à.l.t. et du neutre aussi courts que possible.

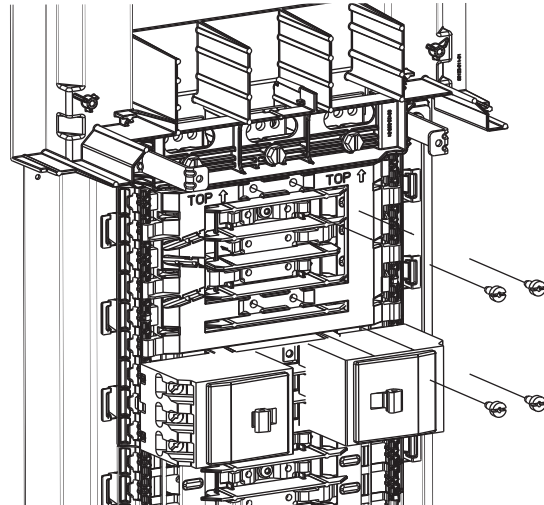
5. En faisant face au panneau, emboîter le support de montage, commençant avec le bord gauche du SPD. Faire pivoter le support de montage en place. Voir la figure 2.

Figure 2 – Installation du support de montage



6. Installer les quatre vis de montage fournies. Voir la figure 3.
7. Attacher les fils de la phase selon les exigences de la phase

Figure 3 – Vis de montage

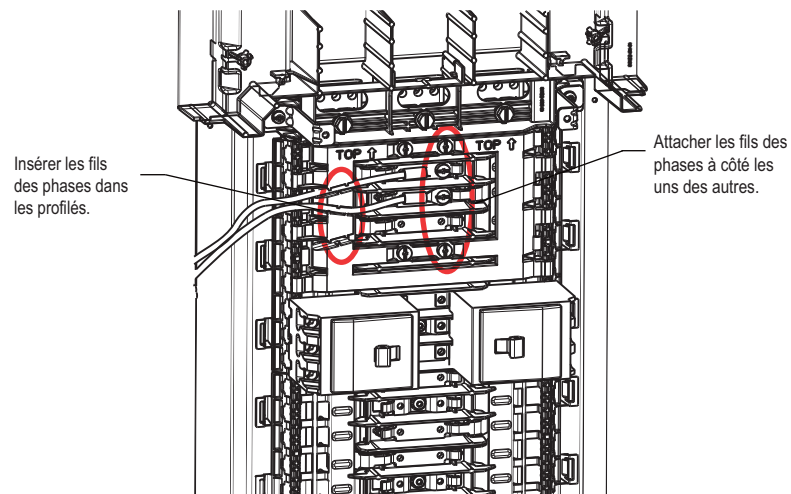


Raccordement direct du SPD aux barres-bus

Installation des barres-bus directes à phase divisée.

1. Attacher les fils de phase aux barres-bus proches l'une de l'autre comme montré à la figure 4.

Figure 4 – Raccordement des fils de phase divisée



2. S'assurer que les fils des phases A et B soient raccordés aux barres-bus correspondantes.

REMARQUE : Le troisième rang n'a pas de raccordement.

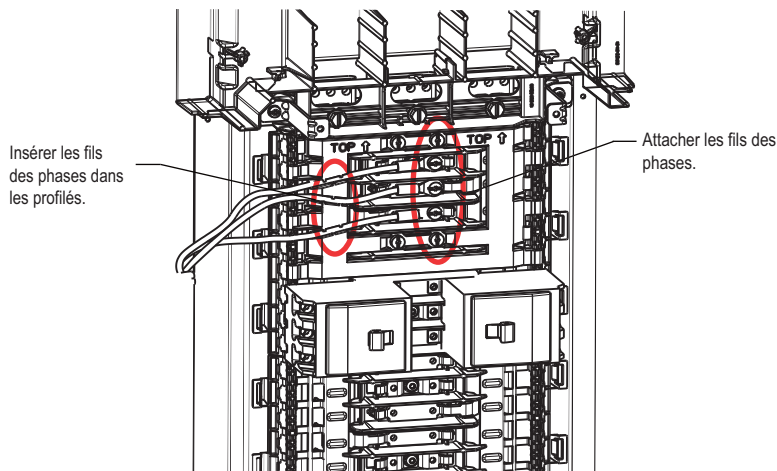
3. Engager les fils de phases dans les caniveaux sur le support de montage comme montré à la figure 4.

REMARQUE : S'assurer que les fils de phases ne soient pas pincés entre le support de montage et le boîtier du SPD.

Installation directe aux barres-bus, raccordement triphasé en étoile.

Attacher les fils de phases aux barres-bus comme montré à la figure 5.

Figure 5 – Raccordement des fils de phases en étoile/triangle



Installation directe aux barres-bus, raccordement triphasé en sommet de triangle.

1. Attacher les fils de phases aux barres-bus comme montré à la figure 5.

REMARQUE : Le fil orange doit être raccordé au sommet de la barre bus.

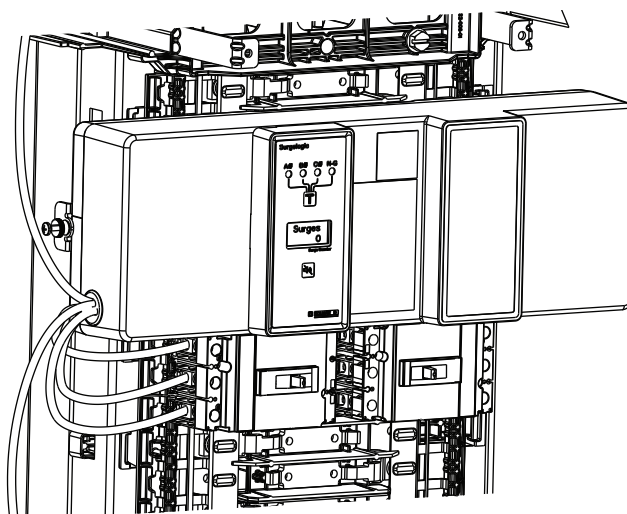
2. S'assurer que les fils des phases A, B et C soient raccordés aux barres-bus correspondantes.

Raccordement du SPD au moyen d'un OCPD (sectionneur)

Raccordement du SPD au moyen d'un OCPD (sectionneur)

1. Couper le fil de phase à la longueur voulue et dénuder l'isolation selon les directives du fabricant du disjoncteur.
2. S'assurer que les fils des phases A, B et C (comme requis) soient raccordés au OCPD dédié. Voir la figure 6.

Figure 6 – Raccordement du disjoncteur générique

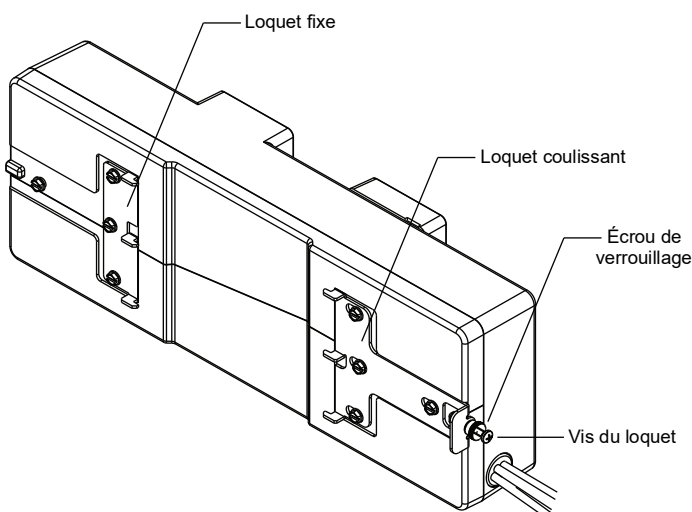


Installation du SPD

Installer le SPD

1. Se reporter à la figure 7 pour les directives de fixation du SPD au support de montage.

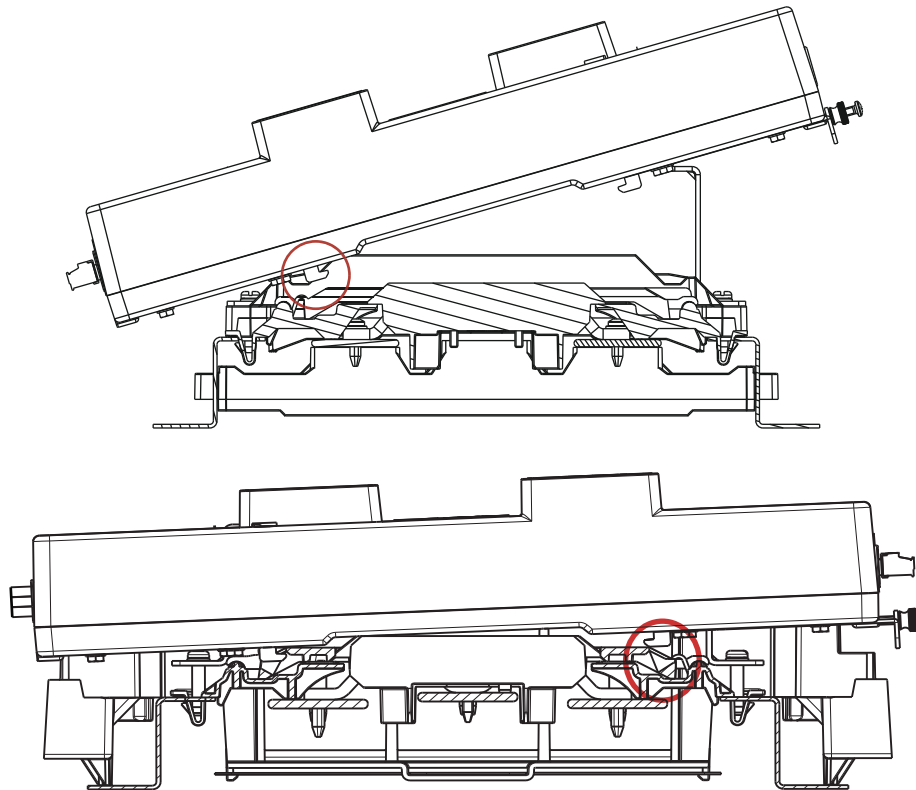
Figure 7 – Supports de montage du SPD



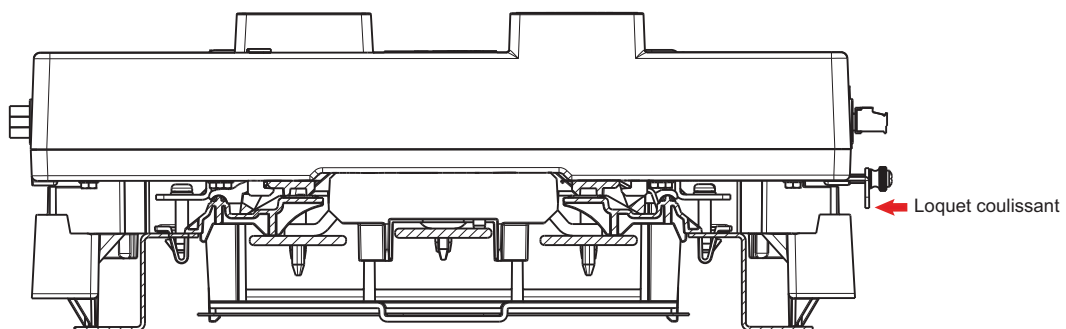
2. Déverrouiller le loquet coulissant en tournant l'écrou de verrouillage dans le sens anti-horaire jusqu'à ce qu'il soit en contact avec la tête de la vis du loquet.

REMARQUE : Ne pas desserrer la vis du loquet.

3. Tirer le loquet coulissant vers l'extérieur sur environ 1/4 po (6,5 mm), pour le mettre en position déverrouillée.
4. Engager le loquet fixe dans les encoches du support de montage. Voir la figure 8.

Figure 8 – Interverrouillages du support de montage du SPD

5. Emboîter le SPD dans les encoches du côté gauche du support de montage.

Figure 9 – Engagement du loquet coulissant

6. Pousser le loquet coulissant vers l'intérieur pour le mettre en position verrouillée et serrer l'écrou.
7. Raccorder le fil du neutre à la barre-bus du neutre et le fil de m.à.l.t. à la barre-bus de m.à.l.t.

REMARQUE : Pour obtenir la meilleure performance, maintenir les fils aussi courts que possible sans courbures prononcées.

REMARQUE : Ce produit ne fonctionnera pas correctement sans les raccordements au neutre et à la terre.

8. Vérifier si tous les raccordements sont sûrs.
9. Retirer de l'unité tous les outils et la quincaillerie jetée.
10. Si nécessaire, enlever douze (12) plaques à tordre, six (6) par côté, de l'écran isolant pour correspondre à l'encadrement en biseau du SPD.
11. Replacer l'écran isolant, la porte/le couvercle ou la garniture de l'appareil.
12. L'appareil peut être remis sous tension après l'achèvement de tous les points ci-dessus.

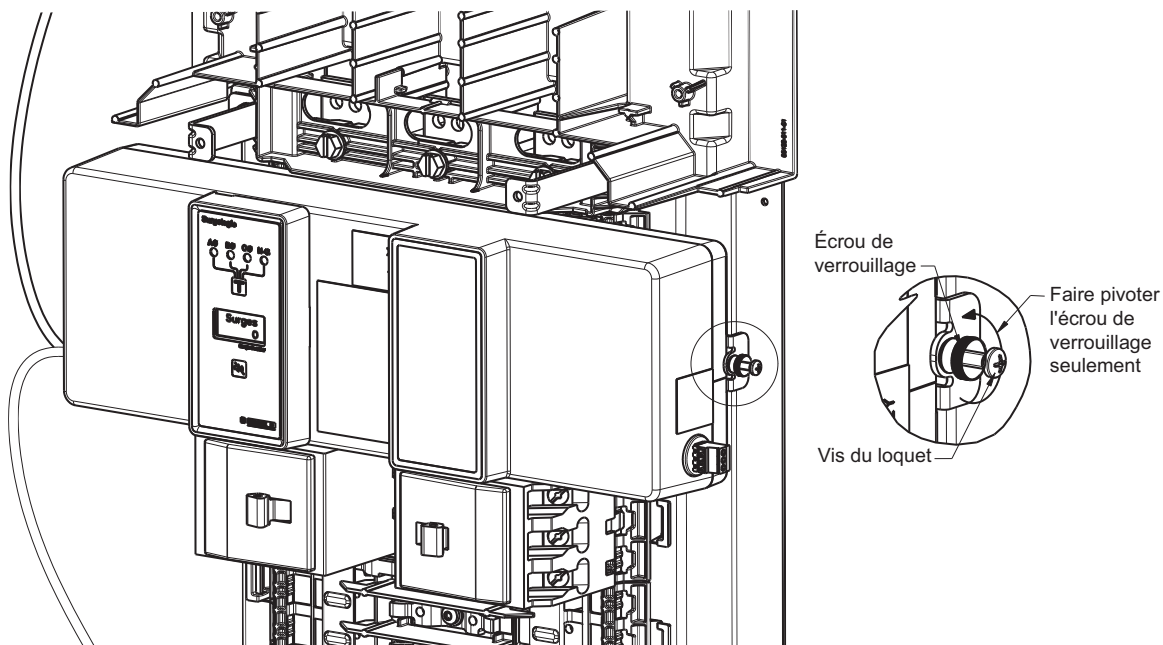
Retrait de l'assemblage SurgeLoc

1. Couper toute alimentation vers cet appareil avant de travailler sur ou à l'intérieur du coffret contenant cet appareil.
2. Enlever les portes, les garnitures et l'écran isolant, selon les directives du panneau de distribution, de façon à exposer le SPD.
3. Desserrer l'écrou de verrouillage en le faisant tourner en sens anti-horaire jusqu'à ce que l'écrou soit en contact avec la tête de la vis du loquet. Voir les figures 7 et 10 pour la nomenclature des pièces.

REMARQUE : Ne pas retirer ni desserrer la vis du loquet.

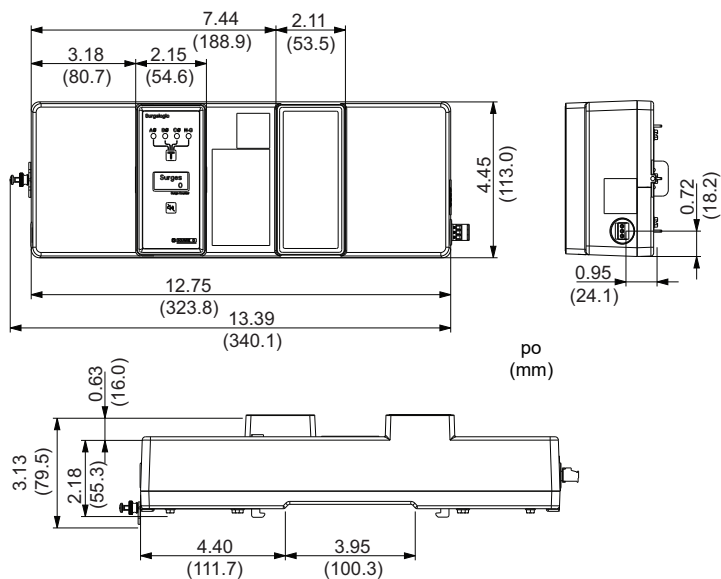
4. Tirer le côté gauche de l'unité non-modulaire en avant sur environ 1/4 po (6,5 mm) pour libérer le loquet coulissant des encoches du support de montage.
5. Déplacer le SPD entier vers la gauche sur environ 13 mm (1/2 po) pour libérer le loquet fixe.
6. Retirer les trois vis de phases pour déconnecter les trois fils de phases et fixer le SPD.
7. Déconnecter les fils de m.à.l.t. et du neutre.
8. Retirer l'assemblage SPD.

Figure 10 – Dégagement de l'écrou du loquet



Dimensions et poids

Figure 11 – Dimensions du SPD SurgeLoc



Poids approximatif	1,58 kg ± 0,453 kg (3,5 lb ± 1 lb)
Profondeur de la porte	12,7 mm [0,5 po]
Profondeur totale	158,5 mm [6,24 po]

FRANÇAIS

Schémas de câblage

Figure 12 – Installation à phase divisée, mise à la terre, à 3 fils sans raccordement pour disjoncteur

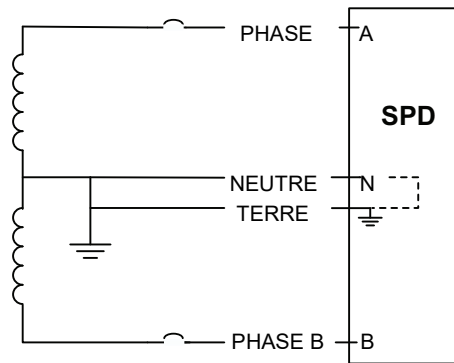


Figure 13 – Installation en étoile, mise à la terre, triphasée à 4 fils sans raccordement pour disjoncteur

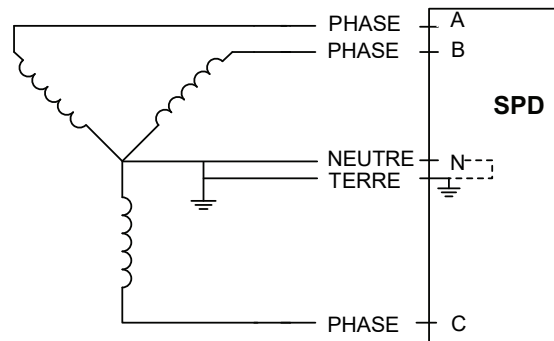
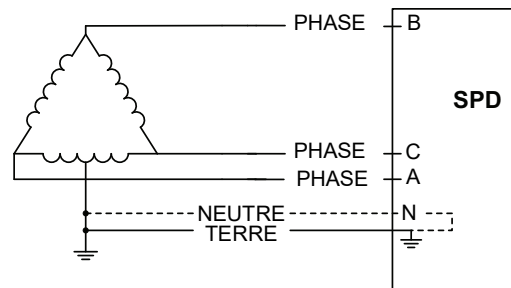


Figure 14 – Installation en sommet de triangle, triphasée, à 4 fils sans raccordement pour disjoncteur



Schémas de câblage avec disjoncteur

Figure 15 – Installation mise à la terre, à 3 fils, à phase divisée avec raccordement pour disjoncteur

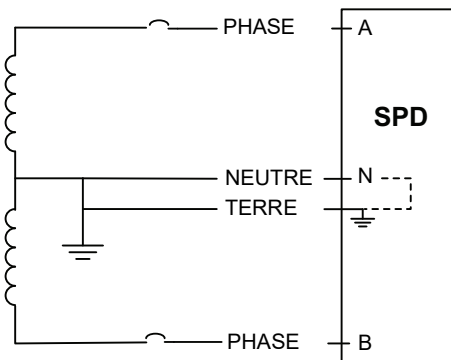


Figure 16 – Installation en étoile triphasée, à 4 fils avec raccordement pour disjoncteur

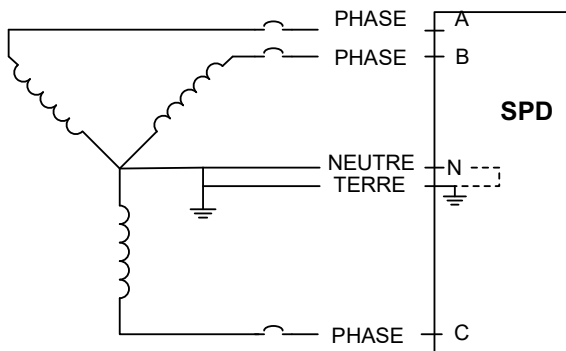
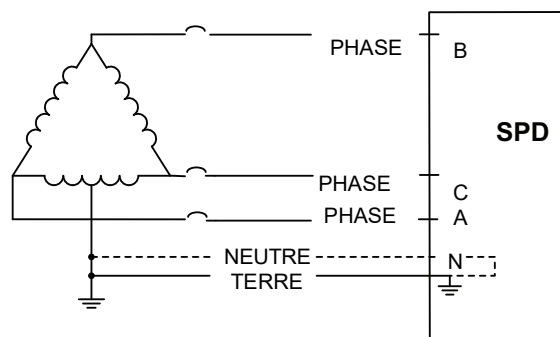


Figure 17 – Installation sommet de triangle triphasée, à 4 fils avec raccordement pour disjoncteur



FRANÇAIS

Fonctionnement

⚡ ⚠ DANGER

RISQUE D'ÉLECTROCUTION, D'EXPLOSION OU ÉCLAIR D'ARC ÉLECTRIQUE

- Portez un équipement de protection personnelle (ÉPP) approprié et observez les méthodes de travail électrique sécuritaire. Voir NFPA 70E ou CSA Z462.
- Seul un personnel qualifié doit effectuer l'installation et l'entretien de cet appareil.
- Coupez toutes les alimentations à cet appareil avant d'y travailler.
- Utilisez toujours un dispositif de détection de tension à valeur nominale appropriée pour vous assurer que l'alimentation est coupée.
- Remplacez tous les dispositifs, les portes et les couvercles avant de mettre l'appareil sous tension.
- Cet appareil doit être effectivement mis à la terre selon tous les codes en vigueur. Utilisez un conducteur de m.à.l.t. d'appareil pour raccorder celui-ci à la terre du système d'alimentation.

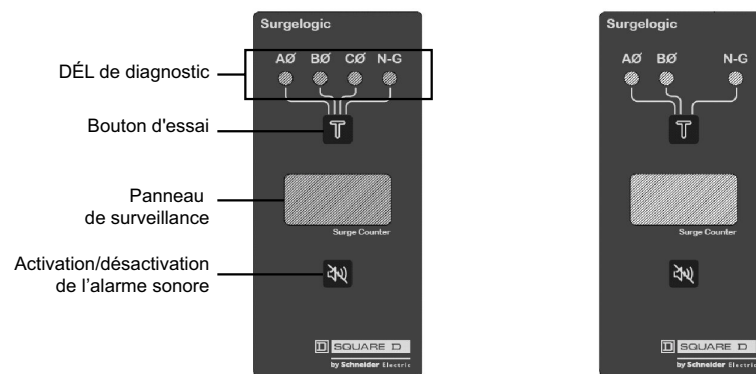
Si ces directives ne sont pas respectées, cela entraînera la mort ou des blessures graves.

FRANÇAIS

Indicateurs d'état DÉL

Le panneau de surveillance de diagnostics du SPD indique l'état de chaque phase à l'aide de DÉL vertes/rouges (voir la figure 18). Si le SPD fonctionne correctement, toutes les DÉL de phases s'allumeront en vert. Si les DÉL ne sont pas allumées en vert, suivre l'organigramme de dépannage à la figure 20.

Figure 18 – DÉL de diagnostic



Alarme sonore

Appuyer sur le bouton d'activation/désactivation de l'alarme pour activer ou désactiver celle-ci (voir la figure 18). L'état de l'alarme sera affiché sur le panneau de surveillance.

Compteur de surtensions

Le compteur de surtensions affiche le nombre de surtensions transitoires depuis la dernière remise à zéro du compteur. Pour remettre à zéro le compteur de surtensions, appuyer sur le bouton d'essai (Test) et le maintenir enfoncé pendant environ 6 secondes.

Contactes secs

⚠ ⚠ DANGER

RISQUE D'ÉLECTROCUTION, D'EXPLOSION OU ÉCLAIR D'ARC ÉLECTRIQUE

- Utilisez un câblage de contacts secs d'une tension nominale de 600 Vca.
- Un câblage de contacts secs doit avoir moins de 1/16 po (1,6 mm) de fil exposé depuis le bloc des contacts secs.
- Maintenez au moins 1 po (25 mm) de séparation entre le câblage de contacts secs et le câblage d'alimentation dans le coffret.

Si ces directives ne sont pas respectées, cela entraînera la mort ou des blessures graves.

Le SPD, série NQ SurgeLoc, est muni de contacts secs. Les contacts secs sont du type à 3 positions, de forme « C », avec des connexions normalement ouverte, normalement fermée et commune.

Dans l'état hors tension le contact est fermé entre les bornes NF et COM. Ceci est également la condition d'alarme. L'état opposé, fermé entre les bornes NO et COM, indique que l'appareil est sous tension et qu'il n'existe aucune condition d'alarme (voir le tableau 3).

Ces contacts peuvent être utilisés pour l'indication à distance de l'état de fonctionnement du SPD à une carte d'interface d'ordinateur ou à un système de gestion des urgences. En outre, ces contacts sont conçus pour fonctionner avec l'option de moniteur à distance du SPD décrite dans la section suivante.

Tableau 3 – Configuration des contacts secs

Bornes du contact d'alarme	État de contact, SPD sous tension
NO à COM	Fermé
NF à COM	Ouvert

Les contacts sont conçus pour une tension maximale de 250 Vca / 30 Vcc et un courant maximum de 6 A. La charge de commutation minimale est de 10 mA à 5 Vcc. Les applications d'une énergie plus élevée peuvent exiger l'incorporation de relais supplémentaires à l'extérieur du SPD. Les dommages occasionnés au relais du SPD par l'utilisation de niveaux d'énergie qui dépassent ceux indiqués dans ces directives d'utilisation ne sont pas couverts par la garantie. Pour les questions d'application, appeler le groupe d'assistance technique SurgeLogic au 1-800-577-7353 (É.-U.).

FRANÇAIS

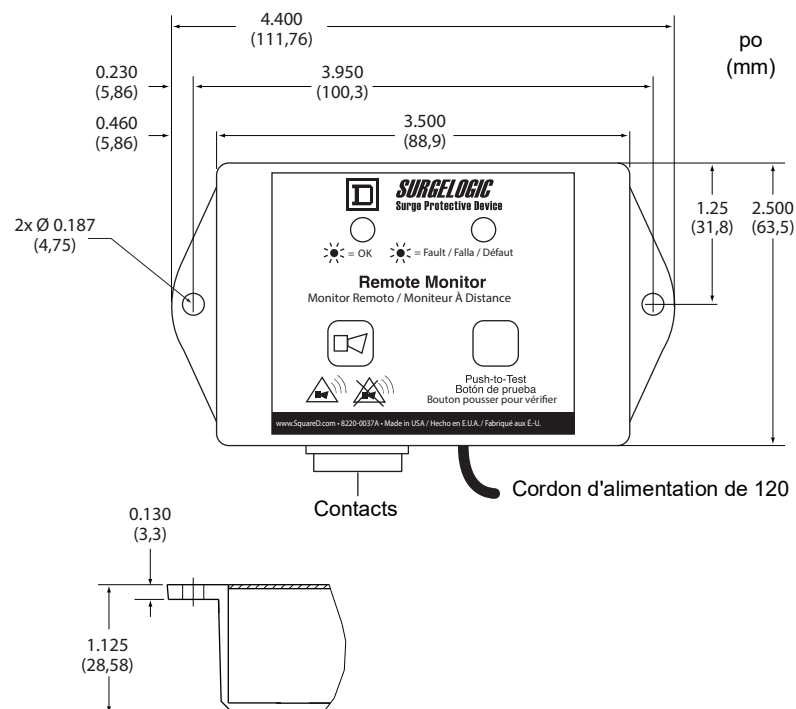
Option de moniteur à distance

L'option de moniteur à distance possède deux DÉL, une rouge et une verte, et une alarme sonore munie d'un interrupteur d'activation/désactivation. L'état normal est une DÉL verte allumée et pas d'alarme sonore. Pour essayer l'intégrité du moniteur à distance, appuyer sur le bouton pousser-pour-vérifier. Si l'alarme est activée, la DÉL verte s'éteint, la DÉL rouge s'allume et l'alarme retentit. Relâcher le bouton termine l'essai; la DÉL rouge s'éteindra, la DÉL verte s'allumera et l'alarme s'arrêtera.

Si la suppression sur n'importe quelle phase est perdue, la DÉL verte s'éteindra, la DÉL rouge s'allumera et une alarme retentira. L'alarme sonore peut être mise au silence en appuyant sur le bouton d'activation/désactivation d'alarme. L'alarme s'arrêtera et la DÉL verte d'alarme ne s'allumera pas. La DÉL rouge reste allumée jusqu'à ce que la condition de non fonctionnement soit corrigée.

Le moniteur à distance comprend un adaptateur de 120 V~ à 12 V avec un cordon d'alimentation de 6 pi (1,83 m). Les raccordements sont faits au panneau de diagnostics du SPD à l'aide des contacts secs de forme « C » à 3 positions (fournis) et de la longueur appropriée, jusqu'à 1000 pi (305 m) de câble rigide ou toronné de calibre AWG 22 à 14 (non fourni).

Figure 19 – Option de moniteur à distance (TVS12RMU)



Entretien et dépannage

⚠ ⚠ DANGER

RISQUE D'ÉLECTROCUTION, D'EXPLOSION OU ÉCLAIR D'ARC ÉLECTRIQUE

- Portez un équipement de protection personnelle (ÉPP) approprié et observez les méthodes de travail électrique sécuritaire. Voir NFPA 70E ou CSA Z462.
- Seul un personnel qualifié doit effectuer l'installation et l'entretien de cet appareil.
- Coupez toutes les alimentations à cet appareil avant d'y travailler.
- Utilisez toujours un dispositif de détection de tension à valeur nominale appropriée pour vous assurer que l'alimentation est coupée.
- Remplacez tous les dispositifs, les portes et les couvercles avant de mettre l'appareil sous tension.
- Cet appareil doit être effectivement mis à la terre selon tous les codes en vigueur. Utilisez un conducteur de m.à.l.t. d'appareil pour raccorder celui-ci à la terre du système d'alimentation.

Si ces directives ne sont pas respectées, cela entraînera la mort ou des blessures graves.

Entretien préventif

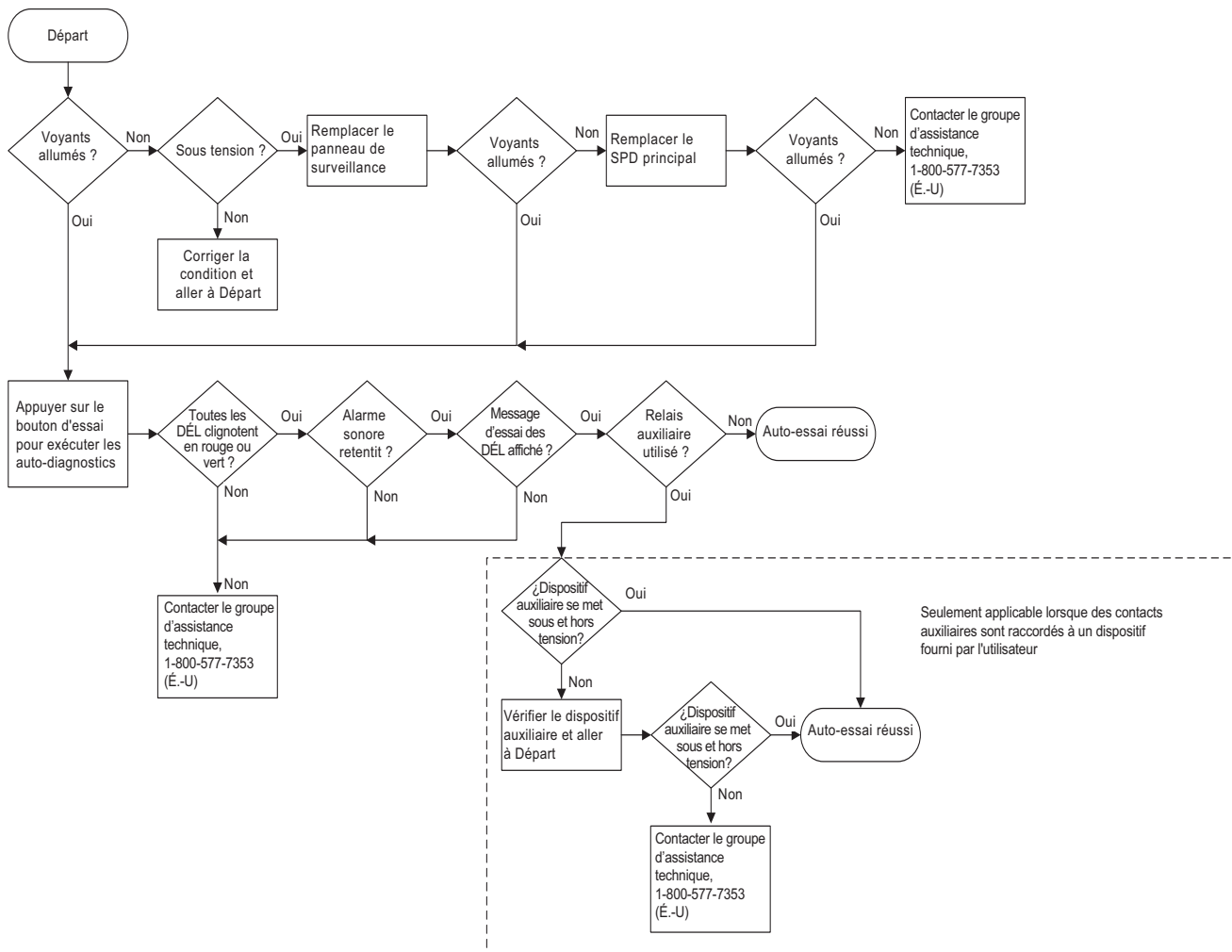
Inspecter le SPD périodiquement la suppression continue des surtensions transitoires. Vérifier périodiquement l'état des indicateurs DÉL du panneau de surveillance des diagnostics. Utiliser de façon routinière les diagnostics intégrés pour valider l'état du SPD.

Dépannage

Si le panneau de surveillance des diagnostics montre un voyant de phase rouge, suivre l'organigramme de dépannage à la figure 20.

Figure 20 – Organigramme de dépannage

REMARQUE : Pour avoir plus de renseignements, appeler le groupe d'assistance technique SurgeLogic au 1-800-577-7353 (É.-U.).



Schneider Electric Canada, Inc.

5985 McLaughlin Road
Mississauga, ON L5R 1B8 Canada
800-565-6699
www.se.com/ca

Du fait que les normes, caractéristiques et conceptions peuvent changer, demander confirmation que l'information contenue dans cette publication est à jour.

Schneider Electric et Square D sont des marques commerciales et la propriété de Schneider Electric SE, ses filiales et compagnies affiliées. Toutes les autres marques commerciales sont la propriété de leurs propriétaires respectifs.

© 2021 Schneider Electric Tous droits réservés

8400-0002 Rev.06, 02/2021
Remplace 8400-0002 Rev.05, 02/2021