

SRI990 Analog Positioner

Part list for SRI990 before May 2013 and up to the Rev.2.0

Part list for SRI990 after May 2013 and from the Rev.2.1.x

Up grade kits for SRI990 (for SRI990-Z (Stainless Steel) no limit switches are available)

Positioner identification

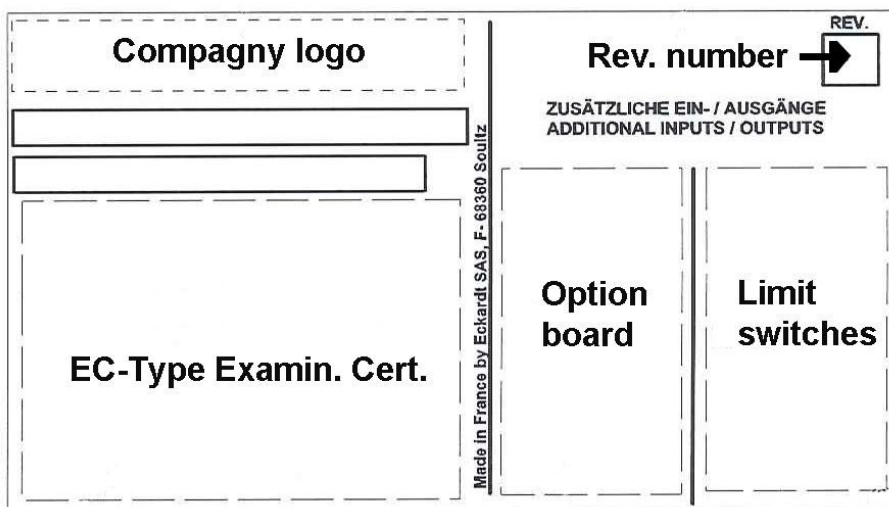
Before May 2013 and up to the Rev. 2.0 (black connectors)



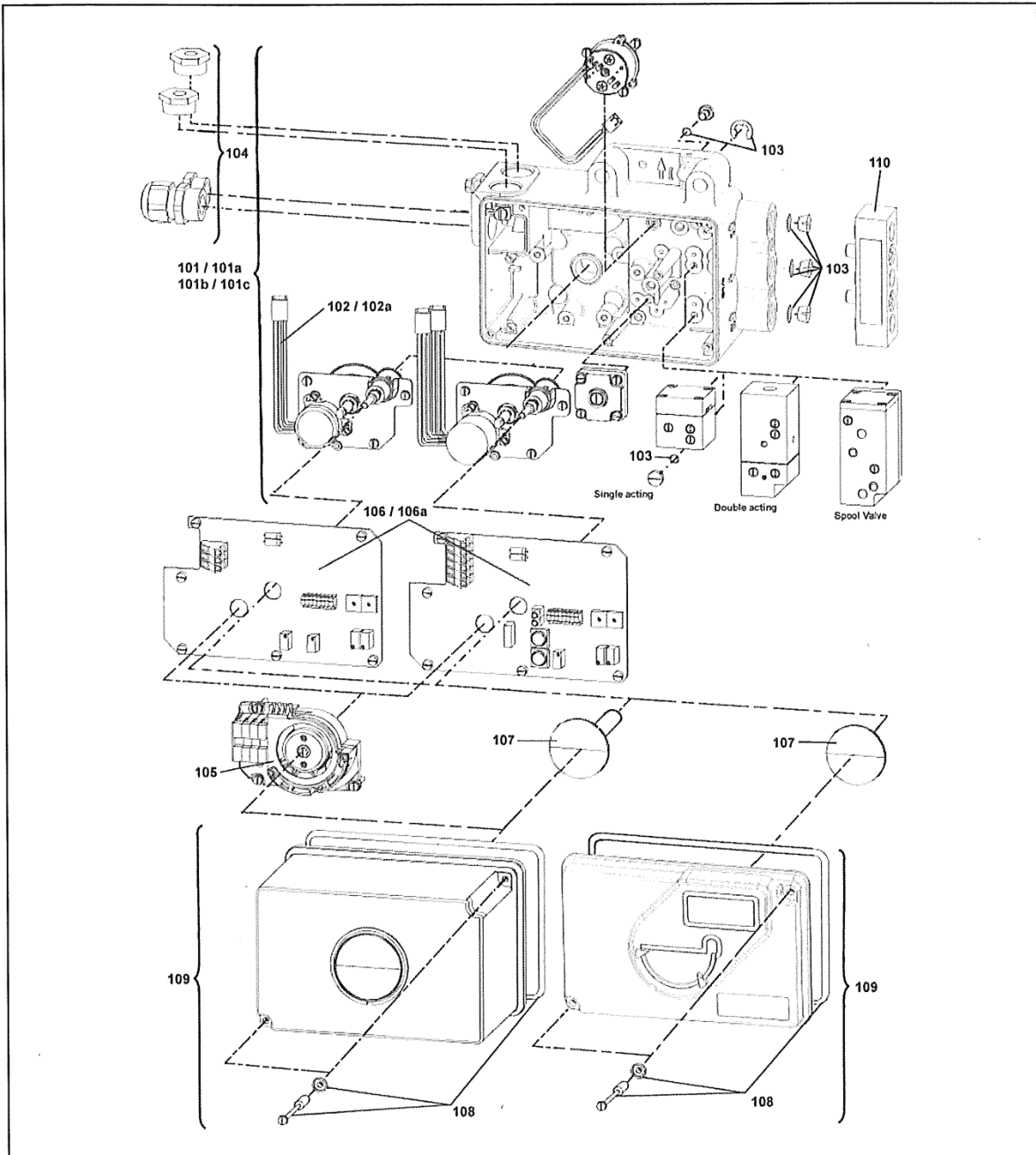
After May 2013 and from the Rev.2.1.x (white connectors)



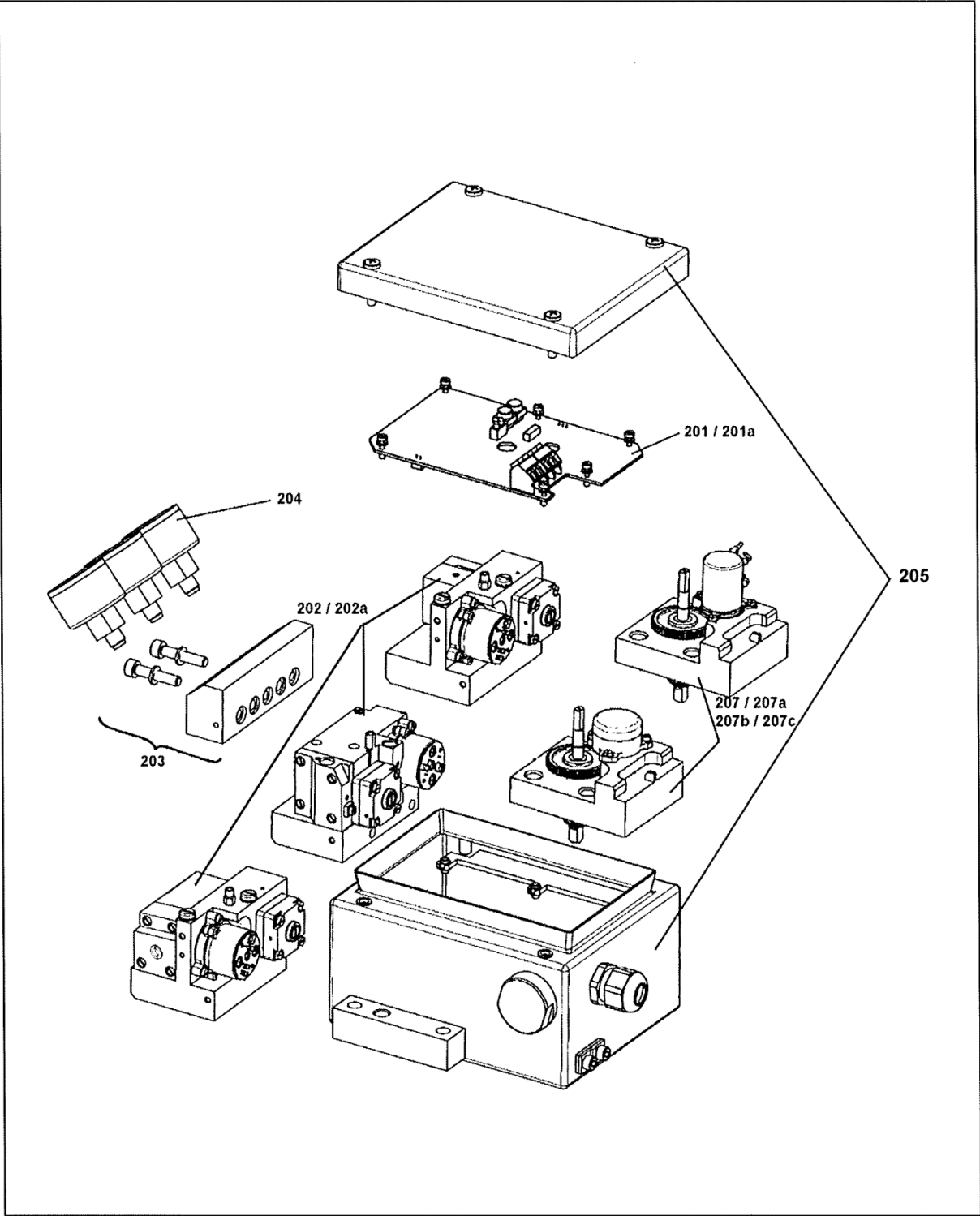
Caution label SRI990



Spare part list



Spare part list (316L)

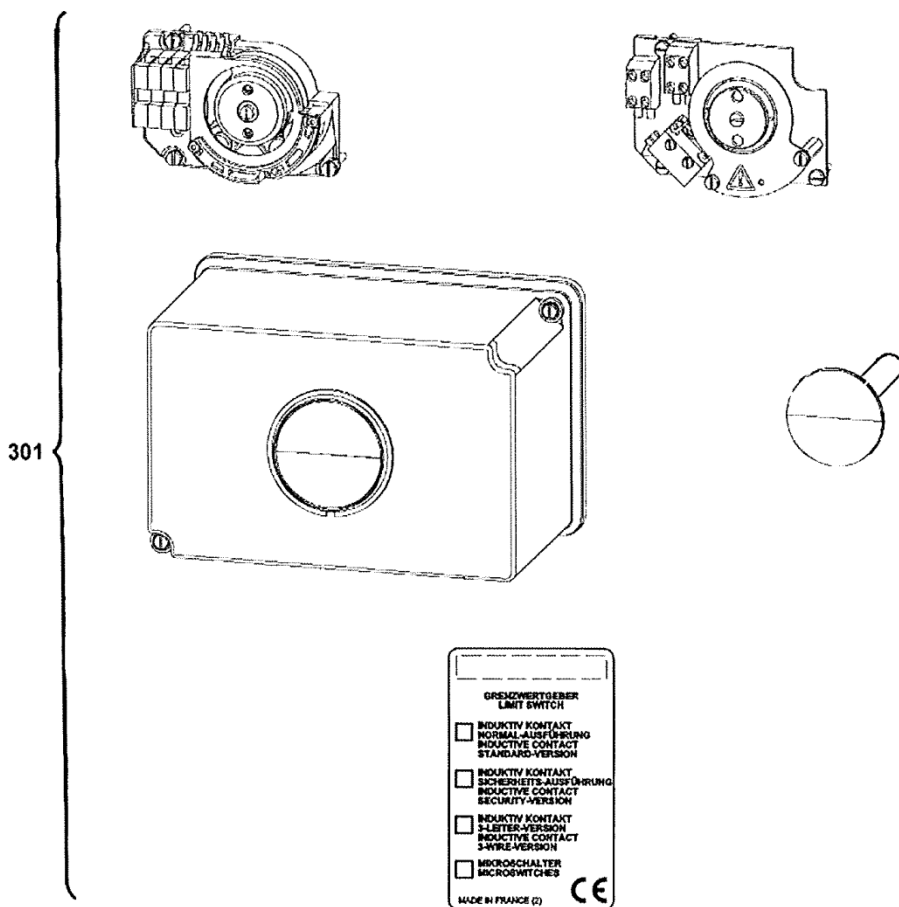


Up grade kits

UP GRADE KITS FOR SRI990

The kit includes:

- * inductive or Mechanical limit switches
- * hig cover
- * hig mechanical indicator
- * additional label



Nota:

For SRI990-.....-Z (Stainless Steel) no Limit Switches are available

Pos.	Number	Cnt.	Description
101			Pneumatic unit (with white connectors after May 2013 and from the Rev.2.1.x)
	EW 426 550 338	1	Pneumatic unit G1/4 single acting
	EW 426 550 329	1	Pneumatic unit G1/4 double acting
	EW 426 550 347	1	Pneumatic unit G1/4 spool-valve
	EW 426 550 356	1	Pneumatic unit G1/4 single acting with tandem-poti
	EW 426 550 365	1	Pneumatic unit G1/4 double acting with tandem-poti
	EW 426 550 374	1	Pneumatic unit G1/4 spool-valve with tandem-poti
101a			Pneumatic unit electronic + position transmitter with tandem-poti (with black connectors before May 2013 and up to the Rev.2.0)
	EW 411 407 609	1	Pneumatic unit G1/4 single acting
	EW 411 407 618	1	Pneumatic unit G1/4 double acting
	EW 411 407 654	1	Pneumatic unit G1/4 spool-valve
	EW 426 434 282	1	Pneumatic unit G1/4 single acting with tandem-poti with electronic analog with position transmitter
	EW 426 434 316	1	Pneumatic unit G1/4 double acting with tandem-poti with electronic analog with position transmitter
	EW 426 434 343	1	Pneumatic unit G1/4 spool-valve with tandem-poti with electronic analog with position transmitter
101b			Pneumatic unit only position transmitter with tandem-poti (with black connectors before May 2013 and up to the Rev.2.0)
	EW 426 434 291	1	Pneumatic unit G1/4 single acting with tandem-poti only position transmitter
	EW 426 434 325	1	Pneumatic unit G1/4 double acting with tandem-poti only position transmitter
	EW 426 434 352	1	Pneumatic unit G1/4 spool-valve with tandem-poti only position transmitter
101c			Pneumatic unit + electronic with tandem-poti (with black connectors before May 2013 and up to the Rev.2.0)
	EW 426 434 273	1	Pneumatic unit G1/4 single acting with tandem-poti with electronic analog
	EW 426 434 307	1	Pneumatic unit G1/4 double acting with tandem-poti with electronic analog
	EW 426 434 334	1	Pneumatic unit G1/4 spool-valve with tandem-poti with electronic analog
102			Connection cable potentiometer (with white connectors after May 2013 and from the Rev.2.1.x)
	EW 424 598 105	1	Connection cable potentiometer
102a			Connection cable potentiometer (with black connectors before May 2013 and up to the Rev.2.0)
	EW 424 598 053	1	Connection cable potentiometer
103			Service Kit
	EW 411 407 041	1	Service Kit
104			Lock screw
	EW 411 407 557	1	Lock screw

Pos.	Number	Cnt.	Description
105			Limit switch
	EW 411 407 372	1	Limit switch (standard version SJ2-N)
	EW 411 407 381	1	Limit switch (security version SJ2-SN)
	EW 411 407 771	1	Limit switch (3 wires version)
	EW 411 407 789	1	Limit switch (two micro switches, without explosion protection)
	EW 411 407 798	1	Limit switch (standard version SJ2-N) for SRI990 with tandem-poti
	EW 411 407 803	1	Limit switch (security version SJ2-SN) for SRI990 with tandem-poti
	EW 411 407 812	1	Limit switch (three wire version) for SRI990 with tandem-poti
	EW 411 407 821	1	Limit switch (two micro switches, without explosion protection) for SRI990 with tandem-poti
	EW 411 407 974	1	Potentiometer input
106			Electronic SRI990 (with white connectors after May 2013 and from the Rev.2.1.x)
	EW 426 550 124	1	Electronic SRI990 analog
	EW 426 550 133	1	Electronic SRI990 analog with position transmitter
	EW 426 550 142	1	Electronic SRI990 only position transmitter
106a			Electronic SRI990 (with black connectors before May 2013 and up to the Rev.2.0)
	EW 411 407 593	1	Electronic SRI990 analog
	EW 411 407 983	1	Electronic SRI990 analog with position transmitter
	EW 411 407 992	1	Electronic SRI990 only position transmitter
107			Travel indicator
	EW 424 172 023	1	Travel indicator long (for usage together with limit switch)
	EW 533 462 032	1	Travel indicator short
108			Washer
	EW 411 407 431	1	Washer
109			Cover
	EW 424 069 075	1	Cover low
	EW 425 196 036	1	Cover EDA/ED4 (zone 20)
	EW 425 196 027	1	Cover high with NEMA4 (for usage together with limit switch)
110			Adapter G1/4 in 1/4-18NPT
	EW 424 744 121	1	Adapter G1/4 in 1/4-18NPT
111			Throttle plate for LEXG-K (not illustrated)
	EW 426 299 017	1	Throttle plate 0,5mm
112			Throttle plate for LEXG-K (not illustrated)
	EW 426 299 026	1	Throttle plate 1,0mm
113			Adapter kit for new cover (not illustrated)
	EW 411 407 947	1	Adapter kit for new cover
201			Electronic SRI990 (316L) (with white connectors after May 2013 and from the Rev.2.1.x)
	EW 426 550 295	1	Electronic SRI990 analog (316L)
	EW 426 550 302	1	Electronic SRI990 analog with position transmitter (316L)
	EW 426 550 311	1	Electronic SRI990 only position transmitter (316L)
201a			Electronic SRI990 (316L) (with black connectors before May 2013 and up to the Rev.2.0)
	EW 426 434 176	1	Electronic SRI990 analog (316L)
	EW 426 434 194	1	Electronic SRI990 analog with position transmitter (316L)
	EW 426 434 201	1	Electronic SRI990 only position transmitter (316L)

Pos.	Number	Cnt.	Description
202			Pneumatic unit (316L) (with white connectors after May 2013 and from the Rev.2.1.x)
	EW 426 550 383	1	Pneumatic unit single acting (316L)
	EW 426 550 392	1	Pneumatic unit double acting (316L)
	EW 426 550 408	1	Pneumatic unit spool-valve (316L)
202a			Pneumatic unit (316L) (with black connectors before May 2013 and up to the Rev.2.0)
	EW 426 434 014	1	Pneumatic unit single acting (316L)
	EW 426 434 246	1	Pneumatic unit double acting (316L)
	EW 426 434 023	1	Pneumatic unit spool-valve (316L)
203			Manifold without gauges (316L)
	EW 426 434 032	1	Manifold without gauges G1/4 (316L)
	EW 426 434 185	1	Manifold without gauges 1/4-18NPT (316L)
204			Stainless Steel Gauges (316L)
	EW 411 187 134	1	Stainless Steel gauges (316L)
205			Stainless Steel Housing (316L)
	EW 426 434 041	1	Stainless Steel Housing (316L)
206			Connection cable potentiometer (316L) (not illustrated) (with white connectors after May 2013 and from the Rev.2.1.x)
	EW 424 598 105	1	Connection cable potentiometer
206a			Connection cable potentiometer (316L) (not illustrated) (with black connectors before May 2013 and up to the Rev.2.0)
	EW 424 598 053	1	Connection cable potentiometer
207			Potentiometer unit (316L) (with white connectors after May 2013 from the Rev.2.1.x)
	EW 426 550 417	1	Potentiometer unit with single-poti (316L)
	EW 426 550 426	1	Potentiometer unit with tandem-poti (316L)
207a			Potentiometer unit electronic + position transmitter with tandem-poti (316L) (with black connectors before May 2013 and up to the Rev.2.0)
	EW 426 434 052	1	Potentiometer unit single-poti (316L)
207b			Potentiometer unit + electronic with tandem-poti (316L) (with black connectors before May 2013 and up to the Rev.2.0)
	EW 426 434 255	1	Potentiometer unit with tandem-poti(316L) with electronic analog with position transmitter
207c			Potentiometer unit only position transmitter with tandem-poti (316L) (with black connectors before May 2013 and up to the Rev.2.0)
	EW 426 434 219	1	Potentiometer unit with tandem-poti (316L) with electronic analog
208			Screw plug (316L) (not illustrated)
	EW 426 434 237	1	Screw plug (316L)

301

Up grade Kits**(For SRI990-Z (Stainless Steel) no limit Switches are available)**

EW 426 434 264	1	Potentiometer unit with tandem-poti (316L) only position transmitter
EW 426 164 012	1	For equivalent of code T Inductive limit switches-Intrinsic Safe (standard version)
EW 426 164 021	1	For equivalent of code U Inductive limit switches-Intrinsic Safe (security version)
EW 426 164 057	1	For equivalent of code R Inductive limit switches 3 wires system
EW 426 164 066	1	For equivalent of code V Mechanical micro switches

Important notices:

For spare parts supplies for devices with certification resp. for supply of spare parts with certification we only warrant that the supplied spare part in its delivery condition is suitable for the certification as indicated by purchaser.

Validity of a certification generally becomes effective after orderly assembly to the complete device. Herefore, we do not assume any guarantee.

For the repair and change of explosionproof devices, the national regulations have to be observed.

Indicate complete model code of original device as far as possible when ordering spare parts. Only valid model code combinations are allowed.

Indicate complete model code of original device as far as possible when ordering spare parts. Only valid model code combinations are allowed.

Subject to alterations - reprinting, copying and translation prohibited. Products and publications are normally quoted without reference to existing patents, registered utility models or trademarks. The lack of any such reference does not justify the assumption that a product or symbol is free.

Foxboro
Postfach 50 03 47
D-70333 Stuttgart
Tel. # 49 (0)711 502-0
Fax # 49 (0)711 502-597

Life Is On

Foxboro
by Schneider Electric