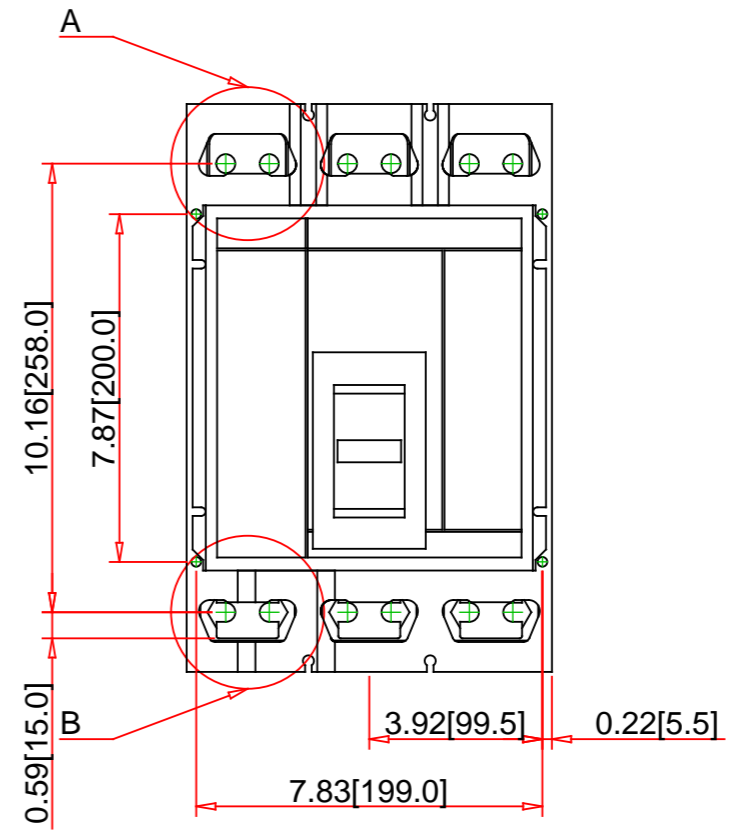
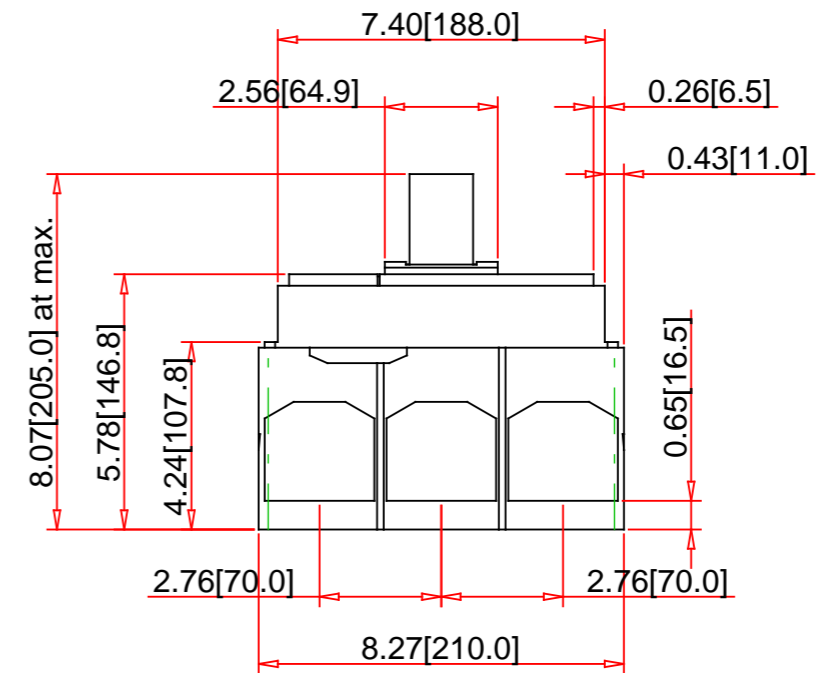
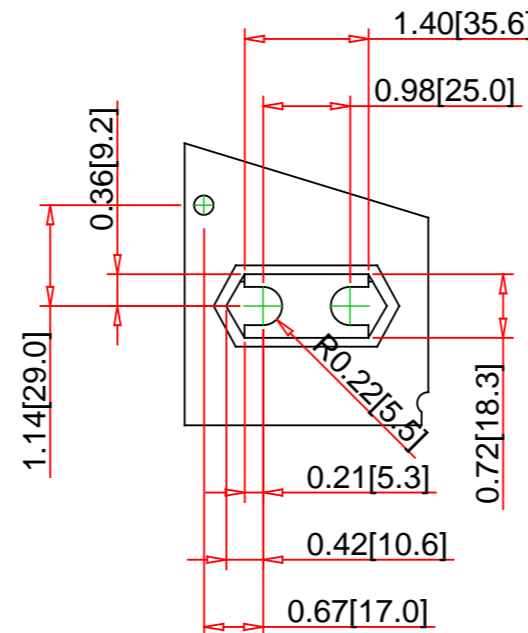
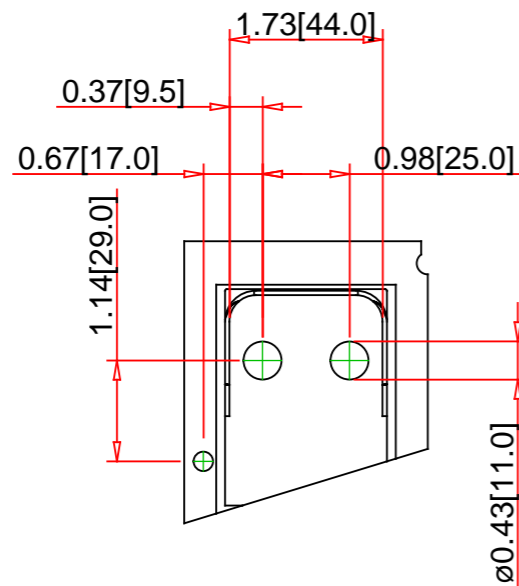


Partial View A (opposite side)



Partial View B (opposite side)



Note:

- Drawings Not To Scale
- Drawings Subject to Change Without Notice
- Dimensions are inches next to [Millimeters]

Part No.:

**MJF26400**



Schneider Electric United States  
 North American Division  
 Boston One Campus  
 800 Federal Street  
 Andover, MA 01810, USA  
 Phone: +1 8773425173  
 Email: CCC@us.schneider-electric.com

Technical Information:

General Application: Provides overload and short circuit protection  
 For Use With: Industrial Enclosures and Switchboards  
 Approvals: UL Listed - CSA Certified - IEC Rated  
 Mounting Type: Unit Mount  
 Terminal Type: Line: terminal - Load: terminal  
 Wire Size: (3) 3/0 through 500 kcmil Al or Cu  
 Weight:  
 Depth: 8.06 Inches  
 Height: 12.86 Inches  
 Width: 8.27 Inches

Specification:

Description: PowerPact M-frame Molded Case Circuit Breaker  
 Number of Poles: 2-Pole  
 Ampere Rating: 400A  
 Voltage Rating: 600VAC  
 Interrupting Rating: 100kA at 240VAC - 65kA at 480VAC - 25kA at 600VAC  
 Circuit Breaker Rating: 80% Rated