

# EZ Meter-Pak<sup>®</sup> Meter Centers

Catalog

4100CT0701

# 2008

Class 4100



## CONTENTS

Description .....	Page
Application Data .....	6
Dimensions and Knockouts .....	40
Wiring Diagrams .....	61

**Table of Contents**

**EZ METER-PAK METER CENTERS**

UL Listed Meter Center Short Circuit Current Ratings . . . . . 4  
 EZM Typical Equipment Lineups . . . . . 5  
 Application Data . . . . . 6  
     EZ Meter-Pak (EZM) Meter Centers . . . . . 6  
         Utility Company Requirements . . . . . 6  
         Equipment Short Circuit Current Ratings . . . . . 6  
         Systems . . . . . 6  
         Services . . . . . 7  
 Main Device Ampere Ratings . . . . . 8  
     Main Circuit Breaker Ratings . . . . . 8  
     Main Fusible Switch Ratings . . . . . 8  
     Terminal Box Ratings . . . . . 8  
 Branch Units . . . . . 9  
     125 A Maximum Residential Branch Units . . . . . 9  
     225 A Maximum Residential Branch Units . . . . . 9  
     225 A Maximum Commercial Branch Units . . . . . 10  
     400 A Maximum Commercial Branch Units . . . . . 10  
 Bussed Extension Sections (NEMA Type 3R) . . . . . 11  
 Bussed Corner Sections for Indoor (NEMA Type 1) Construction Only . . . 11  
     Mounting Channel . . . . . 11  
     Rotating Mounting Brackets . . . . . 11  
 Main Devices . . . . . 13  
     Single-Phase Branch Devices . . . . . 14  
     Three-Phase Branch Devices . . . . . 15  
 Closing Plates . . . . . 17  
     Closing Plates—Main Devices . . . . . 17  
     Closing Plates—Branch Units . . . . . 17  
     Closing Plates—Main Devices and Branch Units . . . . . 17  
 Horizontal Cross Bus . . . . . 18  
 Equipment Grounding Procedure . . . . . 19  
     Visi-Tite<sup>®</sup> Nut Horizontal Cross Bus Connectors . . . . . 19  
 Accessories . . . . . 20  
     Sealing Rings for Ring-Type Meter Sockets . . . . . 20  
     Circuit Breaker Doors . . . . . 20  
     Individual Meter Socket Closing Plates . . . . . 20  
     Branch Unit Outer Covers for Tenant Circuit Breaker and  
     Individual Meter Socket Compartments . . . . . 21  
     Branch Unit Load Neutral Terminals . . . . . 22  
     Branch Unit Load Equipment Grounding Terminals . . . . . 22  
 Meter Sockets . . . . . 23  
     Branch Unit Tenant Circuit Breaker Types and  
     Meter Socket Configurations . . . . . 23  
     Ring-Type Residential Meter Socket Compartment Standard Features . 23  
 General Information . . . . . 26  
     125 A Tenant Circuit Breaker Compartment . . . . . 26  
     225 A Tenant Circuit Breaker Compartment . . . . . 26  
     Optional Ringless Residential Meter Socket Features . . . . . 26  
     400 A Tenant Circuit Breaker Compartment . . . . . 28  
     Optional Ringless Commercial Meter Socket Features . . . . . 30  
 Factory Phase Balancing . . . . . 31  
     Phase Balancing Flexibility . . . . . 32  
 EZM Main Device Types and Configurations . . . . . 33  
 Dimensions and Knockouts . . . . . 40  
 Wiring Diagrams . . . . . 61

**NEMA 3R Construction**

**240 Vac Maximum**, for use on AC systems, suitable for use as Service Equipment.

**Utility Company Requirements:** Review local utility requirements to ensure that metering equipment meets their standards.

**EZ Meter-Pak** meter center enclosures meet NEC wire bending requirements, and are designed for wall mounting only (not suitable for floor mounting). All unmetered conductor compartments may be sealed by the utility company.

**EZ Meter-Pak** meter centers have UL Listed short circuit current ratings up to 100 kA at 240 Vac when properly applied. For three-tier series ratings, refer to Data Bulletin 4100DB0301 and Instruction Bulletin 80043-303-19.

**Suitable incoming services for an EZM main device and available outgoing feeder(s) to downstream panelboards from EZM branch section(s)—**

**Incoming Service to Main Device 120/240 Vac, 1Ø3W**

Available outgoing feeder(s) to downstream panelboards:

- 120/240 Vac, 1Ø3W (four-jaw ring type meter sockets, two-pole circuit breakers) (five-jaw ringless meter sockets, two-pole circuit breakers)

**Incoming Service to Main Device 240/120 Vac, 3Ø4W Delta**

Available outgoing feeder(s) to downstream panelboards:

- 120/240 Vac, 1Ø3W (Fed from transformer's "A-Phase" and "C-Phase" only.) NOTE: Connection to High-Leg "B-Phase" not permitted for this service. (four-jaw ring type meter sockets, two-pole circuit breakers) (five-jaw ringless meter sockets, two-pole circuit breakers) Standard 3Ø IN/1Ø OUT branch units **are not suitable for use on this Delta System**. Special branch units are available for this System by adding suffix: "**CA**" to catalog number (Typical Examples: EZM313125CA, EZM313125XCA, EZM313125CUXCA, EZM314225CA, EZM314225XCA, EZM314225CUXCA, EZM315225CA, EZM314225CUCA, etc.).
- 240/120 Vac, 3Ø4W Delta (seven-jaw meter sockets, three-pole circuit breakers)

**Incoming Service to Main Device 208Y/120 Vac, 3Ø4W**

Available outgoing feeder(s) to downstream panelboards:

- 120/208 Vac, 1Ø3W (five-jaw meter sockets, two-pole circuit breakers)
- 208Y/120 Vac, 3Ø4W (seven-jaw meter sockets, three-pole circuit breakers)

**Main Devices:**

- 400, 600 and 800 A main disconnects may be end mounted with branch units having 800 A or 1200 A continuous horizontal cross bus.
- 1000 and 1200 A main disconnect or terminal box **must be center mounted** when used with branch devices with main bus rated 800 A continuous.
- 1600 A main disconnect or terminal box **must be center mounted**.
- 2000 A main disconnect or terminal box **must be center mounted** and requires use of branch units having 1200 A continuous horizontal cross bus.
- 400, 800 and 1200 A Type EZM-TBU tap boxes supplied with lug landings to meet EUSERC requirements.

**Main Circuit Breaker, ratings:** 400, 600, 800, 1000, 1200, 1600 and 2000 A

**Main Fusible Switch, ratings:** 400, 600, 800, and 1200 A (1Ø3W only)

**Main Lugs Terminal Box, ratings:** 225, 400, 600, 800, 1200, 1600 and 2000 A

**Branch Units:**

- **125 A and 225 A residential branch units** are available in ring type or ringless type construction and are supplied with 800 A continuous aluminum horizontal cross bus as standard (Example: EZM314125). For optional 1200 A continuous copper horizontal cross bus with aluminum vertical connectors, add suffix "**X**" to catalog number (Example: EZM314125X). For optional 1200 A continuous all-copper bussing, add suffix "**CUX**" to catalog number (Example: EZM314125CUX). NOTE: Five-gang 225 A EZM, EZMR and EZMH residential branch units are supplied with 1200 A continuous cross bus as standard, do not add suffix "X" or "CUX" to these units (Examples: EZMR315225 or EZMR315225CU). Plug-in style residential meter sockets are available as ring type **EZM** without bypass, ringless type **EZMR** without bypass, and ringless type **EZMH** with horn bypass.

Tenant circuit breakers must be ordered separately for these branch units. 125 A max. units make use of Type QO, QO-VH or QO-H two-pole tenant circuit breakers (40–125 A), 225 A max. units make use of Type QDP-TM, QBP-TM, QGP-TM and QJP-TM two-pole tenant circuit breakers (70–225 A), and may also make use of two-pole Type QO (40–125 A at 10 kA max.), two-pole Type QO-VH (40–60 A at 100 kA max.), or two-pole Type QO-H (40–60 A at 100 kA max.) tenant circuit breakers.

- **225 A commercial branch units** are available in ring type or ringless type construction and are supplied with 1200 A copper horizontal cross bus with aluminum vertical connectors as standard (Example: EZML314225). For optional 1200 A continuous all-copper bussing, add suffix "**CU**" to catalog number (Example: EZML314225CU). Plug-in style commercial meter sockets are available as ring type **EZMT** with test block bypass (meets EUSERC requirements), ringless type **EZMR** without bypass, and ringless type **EZML** with lever bypass.

225 A max. units make use of type QDP-TM, QBP-TM, QGP-TM and QJP-TM two-pole or three-pole tenant circuit breakers (70–225 A), and may also make use of two-pole type QO (40–125 A at 10 kA max.), two-pole type QO-VH (40–60 A at 100 kA max.), or two-pole type QO-H (40–60 A at 100 kA max.) tenant circuit breakers.

**Note:** QO, QO-VH and QO-H tenant circuit breakers used in 225 A branch units require the use of adapter **EZM125QOA** (purchased separately).

- **400 A branch units** are available in ringless type construction only, and are supplied with 1200 A continuous all-copper bussing as standard (Example: EZML332400). These branch units are supplied with factory-installed type DJM tenant circuit breakers that have a field adjustable ampere rating trip setting from 160 A min. to 400 A max. A tamper-evident seal kit is available where needed, order seal kit **29375** (refer to NEC 240-6 [c]). 400 A branch units are available as Type **EZML** with plug-in style lever bypass type meter sockets, or Type **EZMK** with bolt-on style with manual bypass type meter sockets.
- Units having **800 A continuous horizontal cross bus** WILL CONNECT with units having **1200 A continuous horizontal cross bus**.
- **Single phase units** (three bus bars in horizontal cross bus) WILL NOT CONNECT with **three phase units** (four bus bars in horizontal cross bus).

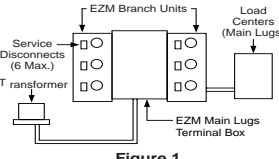
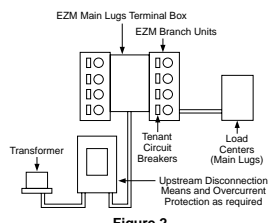
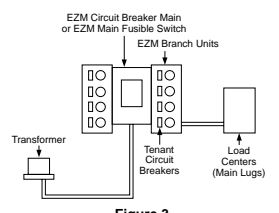
**For Load Center Three-Tiered Series Ratings used downstream from Metering Equipment, refer to Data Bulletins 4100DB0301 and 2700DB9901.**

# EZ Meter-Pak<sup>®</sup> Meter Centers

- Review local utility requirements to ensure that metering equipment meets their standards.
- Check local utility to determine available fault current at the meter center.
- Using the SCCR table:
  - Select meter center configuration, main lugs only (Six Disconnect Rule), or remote main, main circuit breaker, or main fusible switch.
  - Read down to select SCCR equal to, or greater than desired rating.
  - Read across to select branch unit tenant circuit breaker type.
  - Continue reading across to select EZM main device type.

## UL Listed Meter Center Short Circuit Current Ratings (SCCR)

Tenant circuit breakers of same frame size having higher AIR values may replace tenant circuit breakers as listed in tables below and maintain the series rating.

Figures	Short Circuit Current Rating (240 Vac, Maximum) <sup>a b</sup>	EZM Meter Center Overcurrent Protection Devices		
		EZM Branch Unit Tenant Circuit Breaker Types Available (Branch Unit Amperes max., Number of Poles, Tenant Circuit Breaker Amperes Rating Range)	EZM Main Device with Integral Mounted Main, Remote Mounted Main or without an Upstream Mounted Main (Six Disconnect Rule)	
 <p><b>Figure 1</b></p>	<b>EZ Meter-Pak (Six Disconnect Rule Applications)—See Figure 1</b>			
	10 kA	QQ (125 A, 2P, 40–125 A) <sup>d</sup> QQ (225 A, 2P, 40–125 A) <sup>d</sup> QB (225 A, 2P or 3P, 70–225 A)	400–2000 A Main Lugs Terminal Box (Tenant Circuit Breakers used as Service Disconnects—6 maximum)	
	22 kA	QQ-VH (125 A, 2P, 40–125 A) <sup>d</sup> QQ-VH (225 A, 2P, 40–60 A) <sup>d</sup>		
	25 kA	QD (225 A, 2P or 3P, 70–225 A)		
	42 kA	QOH (125 A, 2P, 40–125 A) <sup>d</sup> QOH (225 A, 2P, 40–60 A) <sup>d</sup>		
	65 kA	QG (225 A, 2P or 3P, 70–225 A)		
100 kA	QJ (225 A, 2P or 3P, 70–225 A) <sup>c</sup> DJM (400 A, 2P or 3P, 160–400 A) <sup>c e</sup>			
 <p><b>Figure 2</b></p>	<b>EZ Meter-Pak 225–2000 A Main Lugs Terminal Box Applications Protected By Remote Main—See Figure 2</b>			
	10 kA	QQ (125 A, 2P, 40–125 A) <sup>d</sup> QQ (225 A, 2P, 40–125 A) <sup>d</sup> QB (225 A, 2P or 3P, 70–225 A) <sup>e</sup> DJM (400 A, 2P or 3P, 160–400 A) <sup>e</sup>	Must be protected by an upstream disconnecting means rated 10 k AIR minimum	
	22 kA	QQ-VH (125 A, 2P, 40–125 A) <sup>d</sup> QQ-VH (225 A, 2P, 40–60 A) <sup>d</sup> DJM (400 A, 2P or 3P, 160–400 A) <sup>e</sup>	Must be protected by an upstream disconnecting means rated 22 k AIR minimum	
	25 kA	QD (225 A, 2P or 3P, 70–225 A) DJM (400 A, 2P or 3P, 160–400 A) <sup>e</sup>	Must be protected by an upstream disconnecting means rated 25 k AIR minimum	
	42 kA	QOH (125 A, 2P, 40–125 A) <sup>d</sup> QOH (225 A, 2P, 40–60 A) <sup>d</sup> DJM (400 A, 2P or 3P, 160–400 A) <sup>e</sup>	Must be protected by an upstream disconnecting means rated 42 k AIR minimum	
	65 kA	QQ-VH (125 A, 2P, 40–125 A) <sup>d</sup> QQ-VH (225 A, 2P, 40–60 A) <sup>d</sup> QD (225 A, 2P or 3P, 70–225 A)	Must be protected by a Square D circuit breaker Type LA (400 A max.) or MA (1000 A max.) Rated 42 k AIR minimum	
		QG (225 A, 2P or 3P, 70–225 A) <sup>e</sup> DJM (400 A, 2P or 3P, 160–400 A) <sup>e</sup>	Must be protected by an upstream disconnecting means rated 65 k AIR minimum	
	100 kA	QQ-VH (125 A, 2P, 40–125 A) <sup>d</sup> QQ-VH (225 A, 2P, 40–60 A) <sup>d</sup> QD (225 A, 2P or 3P, 70–225 A)	Must be protected by a Square D circuit breaker Type LH (400 A max.), MH (1000 A max.) or PA (1600 A max.) rated 65 k AIR minimum	
		QD (225 A, 2P or 3P, 70–225 A)	Must be protected by a Square D circuit breaker Type MG (800 A max.), PG (1200 A max.) or RG (2000 A max.) rated 65 k AIR minimum	
		QJ (225 A, 2P or 3P, 70–225 A) <sup>c</sup> DJM (400 A, 2P or 3P, 160–400 A) <sup>c e</sup>	Must be protected by an upstream disconnecting means rated 100 k AIR minimum	
 <p><b>Figure 3</b></p>	<b>EZ Meter-Pak—Main Circuit Breaker Applications—See Figure 3</b>			
	10 kA	QQ (125 A, 2P, 40–125 A) <sup>d</sup> QQ (225 A, 2P, 40–125 A) <sup>d</sup> QB (225 A, 2P or 3P, 70–225 A)	400–1600 A EZM Main Device with Type LH (400 A Max.), MH (1000 A max.) or PA (1600 A max.) circuit breaker.	
	65 kA	QQ-VH (125 A, 2P, 40–125 A) <sup>d</sup> QQ-VH (225 A, 2P, 40–60 A) <sup>d</sup> QD (225 A, 2P or 3P, 70–225 A) DJM (400 A, 2P or 3P, 160–400 A) <sup>e</sup>		
	65 kA	QD (225 A, 3P, 70–225 A)	1000–1200 A Main Device with catalog number suffix "CBU" supplied with Type MHF circuit breaker.	
	100 kA	QQ-VH (125 A, 2P, 40–125 A) <sup>d</sup> QQ-VH (225 A, 2P, 40–60 A) <sup>d</sup> QD (225 A, 2P only, 70–225 A) <sup>c</sup> QD (225 A, 3P only, 70–225 A) <sup>c</sup> DJM (400 A, 2P or 3P, 160–400 A) <sup>c e</sup>		
	100 kA	QD (225 A, 2P only, 70–225 A) <sup>c</sup> QD (225 A, 3P only, 70–225 A) <sup>c</sup>	2000 A EZM Main Device with Type RJ (2000 A) circuit breaker	
		QD (225 A, 2P only, 70–225 A) <sup>c</sup> QD (225 A, 3P only, 70–225 A) <sup>c</sup> DJM (400 A, 2P or 3P, 160–400 A) <sup>c e</sup>		
	<b>EZ Meter-Pak—Main Fusible Switch Applications—See Figure 3</b>			
	10 kA	QQ (125 A, 2P, 40–125 A) <sup>d</sup> QQ (225 A, 2P, 40–125 A) <sup>d</sup> QB (225 A, 2P or 3P, 70–225 A)	400–800 A EZM Main Device (1Ø or 3Ø) with Class T (300 Vac) fuses installed. 1200 A EZM Main Device (1Ø only) with Class T (300 Vac) fuses installed.	
	42 kA	QQ-VH (125 A, 2P, 40–125 A) <sup>d</sup> QQ-VH (225 A, 2P, 40–60 A) <sup>d</sup>	1200 A EZM Main Device (1Ø only) with Class T (300 Vac) fuses installed.	
100 kA	DJM (400 A, 2P, 160–400 A) <sup>e</sup> QD (225 A, 2P, 70–225 A)			
100 kA	QQ-VH (125 A, 2P, 40–125 A) <sup>d</sup> QQ-VH (225 A, 2P, 40–60 A) <sup>d</sup> QD (225 A, 2P only, 70–225 A) <sup>c</sup> QD (225 A, 3P only, 70–225 A) <sup>c</sup> DJM (400 A, 2P or 3P, 160–400 A) <sup>c e</sup>	400–800 A EZM Main Device (1Ø or 3Ø) with Class T (300 Vac) fuses installed.		

a Meter center short circuit current rating is equal to the lowest short circuit current rating given in table for any circuit breaker installed in any meter panelboard in the meter center.  
 b Short circuit current rating is measured at the LINE SIDE terminals of the integral mounted or remote mounted main providing overcurrent protection for the EZM metering equipment lineup.  
 c Three-pole only tenant circuit breaker(s) are limited to 208Y/120 Vac maximum.  
 d Requires use of EZM125QOA adapter (order separately).  
 e Supplied with factory installed circuit breaker(s), with an adjustable trip range of 160–400 A.

For three-tier series ratings refer to Data Bulletin 4100DB301 and Instruction Bulletin 80043-303-19.

## EZM Typical Equipment Lineups



Typical Tenant  
Circuit Breakers



QO2100  
Two-Pole, Plug-On  
QO Circuit Breaker



QDP22200TM Two-Pole Circuit Breaker (shown)

**NOTE:** The Q-Frame circuit breaker used with EZM devices comes without line side lugs.



DJM32400E20  
Circuit Breaker

**NOTE:** 1600 A main circuit breaker must be center mounted with branch units mounted on both sides.

# EZ Meter-Pak<sup>®</sup> Meter Centers

## Application Data



EZM1800CB



EZM3800FS



EZM1800TB

## Application Data

### EZ Meter-Pak (EZM) Meter Centers

- Enclosures are indoor/rainproof NEMA Type 3R meter centers for use on ac systems.
- Finish: ANSI gray, baked powder-coat epoxy electrodeposited over cleaned phosphatized steel.
- 240 Vac maximum.
- Suitable for use as service equipment and suitable for use on the line side of service equipment.
- Enclosures meet NEC<sup>®</sup> wire bending space requirements.
- Designed to be wall mounted only (not suitable for floor mounting).
- All unmetered conductor compartments may be sealed by the utility company.
- EZ Meter-Pak meter centers are UL Listed under File E-10582 and File E-131840.

### Utility Company Requirements

Review local utility requirements to ensure that the metering equipment selected meets local standards.

EZ Meter-Pak meter centers, to be complete, must include:

- EZM main device, or terminal box;
- EZM branch section(s), and
- Square D<sup>®</sup> brand branch circuit breakers (tenant mains).

### Equipment Short Circuit Current Ratings

Available up to 100,000 RMS symmetrical amperes. Refer to pages 3 and 4.

### Systems

Utility systems suitable for use as an incoming service to an EZM main device:

- System: 120/240 Vac, 1Ø3W

Available incoming service to main device:

120/240 Vac, 1Ø3W

- System: 240/120 Vac, 3Ø4W delta

Available incoming services to main device: 240/120 Vac, 3Ø4W delta  
120/240 Vac, 1Ø3W (fed from transformer's AØ and CØ only).

**NOTE:** Connection to High-Leg BØ not permitted for this service. Standard 3-phase IN/1-phase OUT branch units are NOT suitable for use on this DELTA System. Special branch units are available for this system by adding suffix "CA" to catalog number (examples: EZM313125CA, EZM314225CA etc.)

- System: 208Y/120 Vac, 3Ø4W

Available incoming services to main device:

120/208 Vac, 1Ø3W or 208Y/120 Vac, 3Ø4W

**Services**

The following are incoming services for an EZM main device and available outgoing feeder(s) to downstream panelboards from EZM branch section(s):

- 120/240 Vac, 1Ø3W to main device. Available outgoing feeder(s) to downstream panelboards 120/240 Vac, 1Ø3W.
- 120/208 Vac, 1Ø3W to main device (derived from a 208Y/120 Vac, 3Ø4W network). Available outgoing feeder(s) to downstream panelboards 120/208 Vac, 1Ø3W.
- 240/120 Vac, 3Ø4W delta to main device. Available outgoing feeder(s) to downstream panelboards:

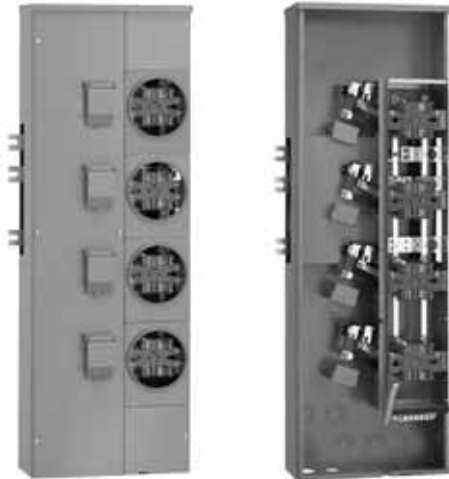
- 120/240 Vac, 1Ø3W (fed from transformer's AØ and CØ only).  
 Special branch units are available for this system by adding suffix "CA" to catalog number, for example: EZM313125CA.

**NOTE:** Connection to High-Leg BØ not permitted for this service. Standard 3Ø IN/1Ø OUT branch units are not suitable for use on this delta system.

- 240/120 Vac, 3Ø4W delta
- 208Y/120 Vac, 3Ø4W to main device. Available outgoing feeder(s) to downstream panelboards:
  - 120/208 Vac, 1Ø3W (Fifth jaw required)
  - 208Y/120 Vac, 3Ø4W



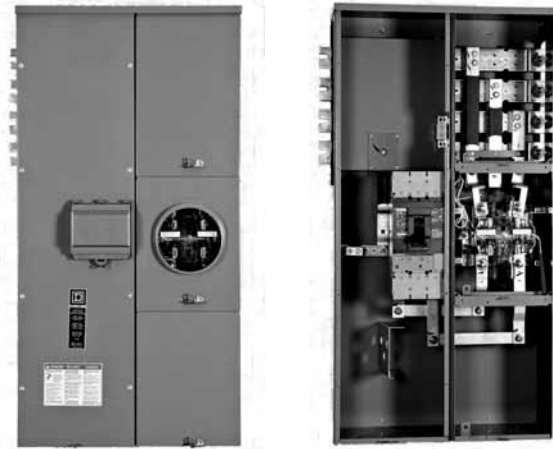
EZM314125



EZM114225



EZMR332225



EZML311400

**EZ Meter-Pak<sup>®</sup> Meter Centers**  
**Main Device Ampere Ratings**



**EZM31600CB**



**EZM1800CBU**



**EZM32000CB**

**Main Device Ampere Ratings**

**Main Circuit Breaker Ratings**

- 400, 600, 800, 1000, 1200, 1600, and 2000 A combination overhead/underground
- 400, 600, 800, 1000, and 1200 A underground only (meets EUSERC standards)
- 1600 and 2000 A underground only (does not meet EUSERC standards).

**Main Fusible Switch Ratings**

- 400, 600, and 800 A (1Ø3W and 3Ø4W) and 1200 A (1Ø3W only) combination overhead/underground
- 400, 600, and 800 A (1Ø3W and 3Ø4W) and 1200 A (1Ø3W only) underground only (meets EUSERC standards).

**Terminal Box Ratings**

225, 400, 600, 800, 1600, and 2000 A combination overhead/underground.  
 400, 800, and 1200 A underground only (meets EUSERC standards).

**Mounting Restrictions for Main Devices:**

- 400, 600, and 800 A main disconnects may be end mounted with branch units having 800 or 1200 A continuous horizontal cross bus.
- 1000 and 1200 A main disconnect or terminal box must be center mounted when used with branch devices with main bus rated 800 A continuous.
- 1600 A main disconnect or terminal box must be center mounted.
- 2000 A main disconnect or terminal box must be center mounted and requires use of branch units having 1200 A continuous horizontal cross bus.
- 400, 800, and 1200 A type EZM-TBU tap boxes supplied with lug landings to meet EUSERC standards.



**EZM3800FS**



**EZM1800TB**



## Branch Units

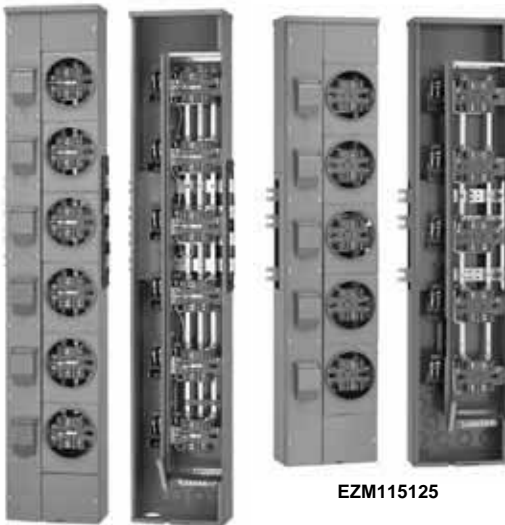
UL Listed meter center short circuit current ratings (RMS symmetrical amperes) are listed on pages 3 and 4.

### 125 A Maximum Residential Branch Units

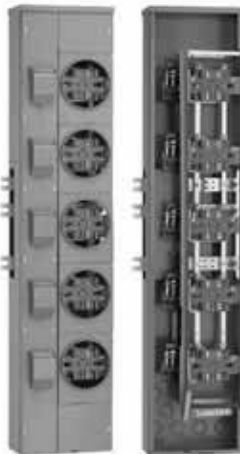
- Available in two cross bus configurations: 1Ø IN/1Ø OUT (includes three horizontal cross bus bars), and 3Ø IN/1Ø OUT (includes four horizontal cross bus bars).
- Accepts 40–125 A, two-pole, plug-on type QO, QO-VH, or QOH circuit breakers (order circuit breakers separately).
- Ring-type EZM branch units supplied with four-jaw (1Ø IN units), and with five-jaw (3Ø IN units), 100 A continuous duty rated meter sockets, without bypass (manual slider type bypass kit MM200MB can be ordered separately and field-installed).
- Ringless-type EZMR branch units supplied with five-jaw, 100 A continuous duty rated meter sockets, without bypass (horn type bypass kit MMHB can be ordered separately and field-installed).
- Ringless-type EZMH branch units supplied with five-jaw, 100 A continuous duty rated meter sockets and horn type bypass.
- Supplied with 800 A horizontal main cross bus.
- 1000, 1200, or 1600 A main devices must be center located when used with 125 A branch units with 800 A main cross bus.
- 2000 A main device must be center located when used with 125 A branch units with 1200 A main horizontal cross bus.

### 225 A Maximum Residential Branch Units

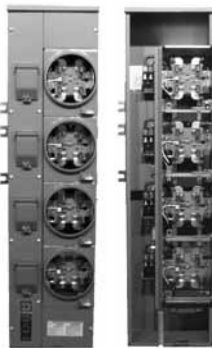
- Available in two cross bus configurations: 1Ø IN/1Ø OUT (includes three horizontal cross bus bars), and 3Ø IN/1Ø OUT (includes four horizontal cross bus bars).
- Accepts 70–225 A, 2-pole, bolt-on type QB, QD, QG or QJ circuit breakers, or with the use of plug-on adapter catalog number EZM125QOA, these units will accept 40–125 A, two-pole plug-on type QO, 40-60 A two-pole plug-on type circuit breakers QO-VH or QOH (order circuit breakers and adapters separately).
- Ring-type EZM branch units supplied with four-jaw (1Ø IN units), and with five-jaw (3Ø IN units), 200 A continuous duty rated meter sockets, without bypass (manual slider type bypass kit MM200MB can be ordered separately and field-installed).
- Ringless-type EZMR branch units supplied with five-jaw, 200 A continuous duty rated meter sockets without bypass (horn type bypass kit MMHB can be ordered separately and field-installed).
- Ringless-type EZMH branch units supplied with five-jaw, 200 A continuous duty rated meter sockets and horn type bypass.
- Two- through four-position units supplied with 800 A horizontal main cross bus and five-position supplied with 1200 A horizontal cross bus.
- 1000, 1200, and 1600 A main device must be center located when used with 225 A branch units with 800 A main horizontal cross bus.
- 2000 A main device must be center located when used with 225 A branch units with 1200 A main horizontal cross bus.



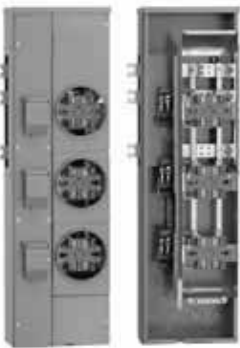
EZM316125



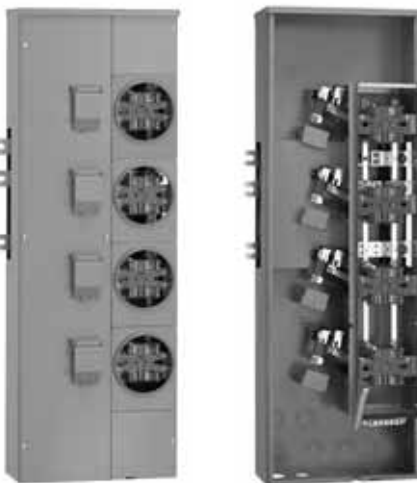
EZM115125



EZMH114125



EZM113125

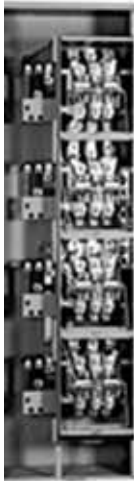


EZM114225

## EZ Meter-Pak<sup>®</sup> Meter Centers Branch Units



EZMR333225



EZML334225

### 225 A Maximum Commercial Branch Units

- Available in two cross bus configurations: 1Ø IN/1Ø OUT (includes three horizontal cross bus bars), 3Ø IN/1Ø OUT, and 3Ø IN/3Ø OUT (includes four horizontal cross bus bars).
- 1Ø OUT branch units accept 70–225 A type QB, QD, QG, and QJ, two-pole, bolt-on circuit breakers (order circuit breakers separately).
- 3Ø OUT branch units accept 70–225 A type QB, QD, QG, and QJ, three-pole, bolt-on circuit breakers (order circuit breakers separately).
- 1Ø OUT ringless-type EZML branch units are supplied with five-jaw, 200 A continuous duty 1Ø meter sockets with lever type bypass.
- 1Ø OUT ring-type EZMT branch units are supplied with five-jaw, 200 A continuous duty 1Ø meter sockets with test block bypass (meets EUSERC standards).
- 3Ø OUT ringless-type EZML branch units are supplied with seven-jaw, 200 A continuous duty 3Ø meter sockets with lever bypass.
- 3Ø OUT ringless-type EZMR branch units are supplied with seven-jaw, 200 A continuous duty 3Ø meter sockets without bypass.
- 3Ø OUT Ring-type EZMT branch units are supplied with seven-jaw, 200 A continuous duty 3Ø meter sockets with test block bypass (meets EUSERC standards).
- Supplied with 1200 A horizontal main cross bus.
- 1600 and 2000 A main devices must be center located when used with 225 A commercial branch units.

### 400 A Maximum Commercial Branch Units

- Available in two cross bus configurations: 1Ø IN/1Ø OUT (includes three horizontal cross bus bars), and 3Ø IN/1Ø OUT (includes four horizontal cross bus bars).
- 1Ø OUT branch units are supplied with factory-installed 400 A Type DJM two-pole circuit breaker(s). DJM circuit breaker has adjustable trip settings from 160–400 A (seal kit catalog number 29375 available separately).
- 3Ø OUT branch units are supplied with factory-installed 400 A Type DJM three-pole circuit breaker(s). DJM circuit breaker has adjustable trip settings from 160–400 A (seal kit catalog number 29375 available separately).
- Supplied with 1200 A horizontal main cross bus.
- 1600 and 2000 A main devices must be center located when used with 400 A commercial branch units.



EZMT



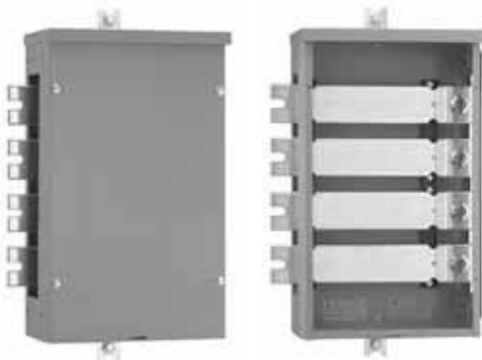
EZML331400



## EZ Meter-Pak<sup>®</sup> Meter Centers Bussed Extension Sections (NEMA Type 3R)

### Bussed Extension Sections (NEMA Type 3R)

Bussed extensions provide separation between enclosures where needed to avoid building obstructions. The bussed extension occupies an area 19.25 in. (489 mm) H x 12.0 in. (304 mm) or 6.0 in. (152 mm) W positioned vertically in line with the horizontal cross bus of main and branch unit enclosures. Extensions provide additional space between the main device and the branch unit where needed to meet local utility requirements. In this case the main device is deeper than the branch unit, and the dimension between the side of the main device and the centerline of the branch unit meter socket is too close to meet minimum "clear space" requirements.



EZM3EXT



EZM3CORNER



EZM3ELBOW

- Bussed extensions are also used with bussed corner sections to provide additional working space in inside corner areas.
- Use EZM1EXT6 (6.0 in.) or EZM1EXT (12.0 in.) wide.
- Use EZM3EXT6 (6.0 in.) or EZM3EXT (12.0 in.) wide.
- Supplied with 1200 A horizontal main cross bus.
- Provisions for padlocking or sealing by the utility.

### Bussed Corner Sections for Indoor (NEMA Type 1) Construction Only

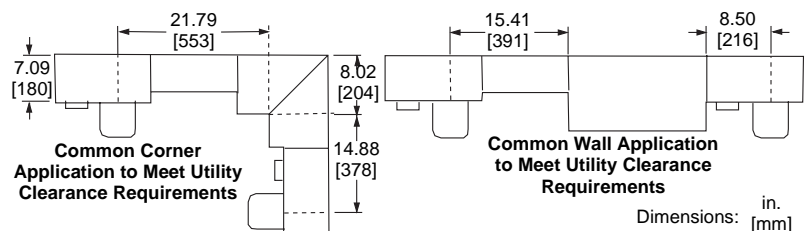
- Enables mounting of metering enclosures on two adjacent walls.
- NEMA Type 1 construction for use indoors only.
- Designed for "inside and outside corners".
- Use EZM1CORNER (inside corner) with 1Ø cross bus equipment.
- Use EZM1ELBOW (outside corner) with 1Ø cross bus equipment.
- Use EZM3CORNER (inside corner) with 3Ø cross bus equipment.
- Use EZM3ELBOW (outside corner) with 3Ø cross bus equipment.
- Supplied with 1200 A horizontal main cross bus.
- Provisions for padlocking or sealing by the utility.

### Mounting Channel (see page 12)

- EZM main and branch units are each supplied with a wall mounting channel.
- Mounting channel is packed externally to each device on top surface of front cover inside each carton for easy access. Covers do not need to be removed from device to access mounting channel.

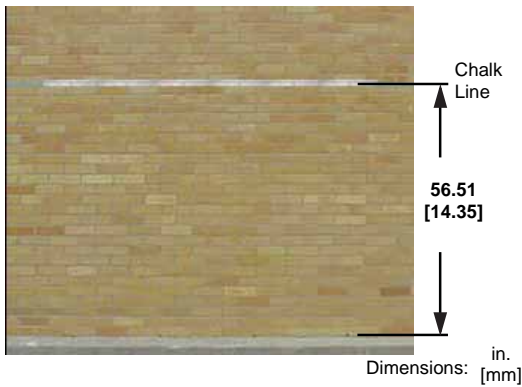
### Rotating Mounting Brackets (see page 12)

- EZM sections are equipped with permanently attached swinging mounting brackets that are easily rotated out of the way after marking wall for drilling mounting holes. The rotating feature of the mounting brackets will accommodate slight mounting hole misalignment.
- Rotate mounting brackets to extended position before lifting device onto mounting channel for ease of installation.
- Rotating mounting brackets are provided at top and bottom of each unit to secure device to the wall.

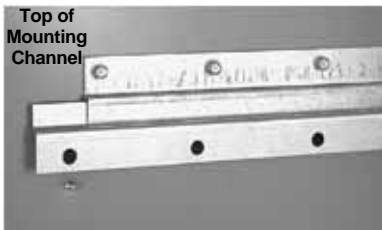


# EZ Meter-Pak<sup>®</sup> Meter Centers

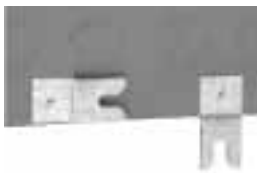
## Bussed Extension Sections (NEMA Type 3R)



Chalk line on wall at proper height and secure mounting channel to wall. Mounting channel is secured to wall and device is hung on channel by bracket attached to rear of unit.



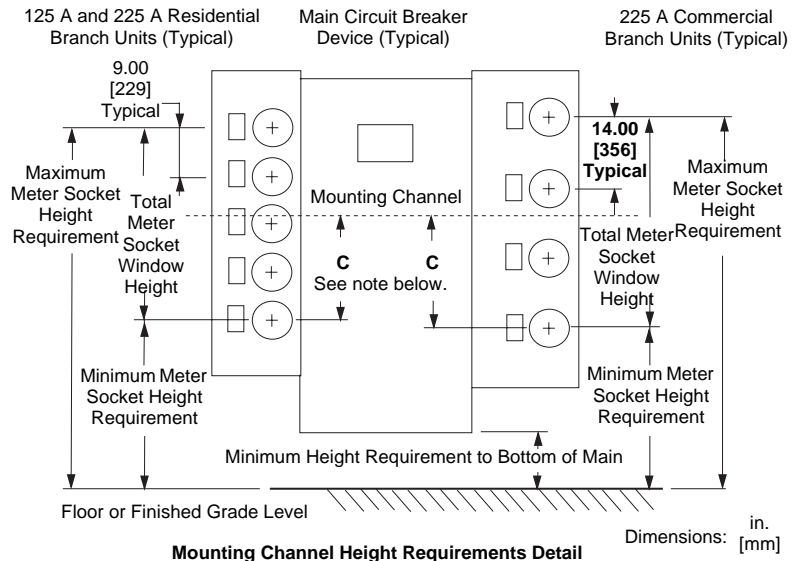
Mounting Channel



Rotating Mounting Brackets

### Determine Mounting Channel Height for Metering Equipment Lineup

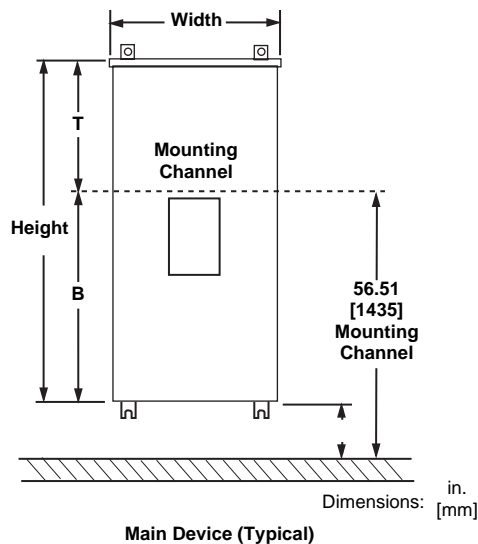
- Contact your local utility to determine the following branch unit meter socket mounting height restrictions:
  - Maximum dimension, centerline of top meter socket to floor or finished grade level
  - Minimum dimension, centerline of bottom meter socket to floor or finished grade level
  - Total branch unit meter socket height window (maximum dimension less minimum dimension).



**NOTE:** See pages 14–16 for dimension "C" for each catalog number.

- Contact your local utility to determine minimum dimension from bottom of main device to floor or finished grade level.
- Refer to drawings of main devices and branch units starting on page 40 and determine proper height to install mounting channels. Ensure branch unit meter sockets are positioned within total branch unit meter socket height window, and main device bottom is positioned far enough above floor or finished grade level to comply with local requirements.
- Once the mounting channel height is determined, chalk a level line on wall at proper height.
- Align top edge of mounting channels for each unit to wall in the order that they will be installed.
- Some EZM branch sections (five-position and six-position branch units) may not fit within utility's meter height window for outdoor applications, although could be acceptable for use in indoor installations.

Main Devices



Main Device (Typical)

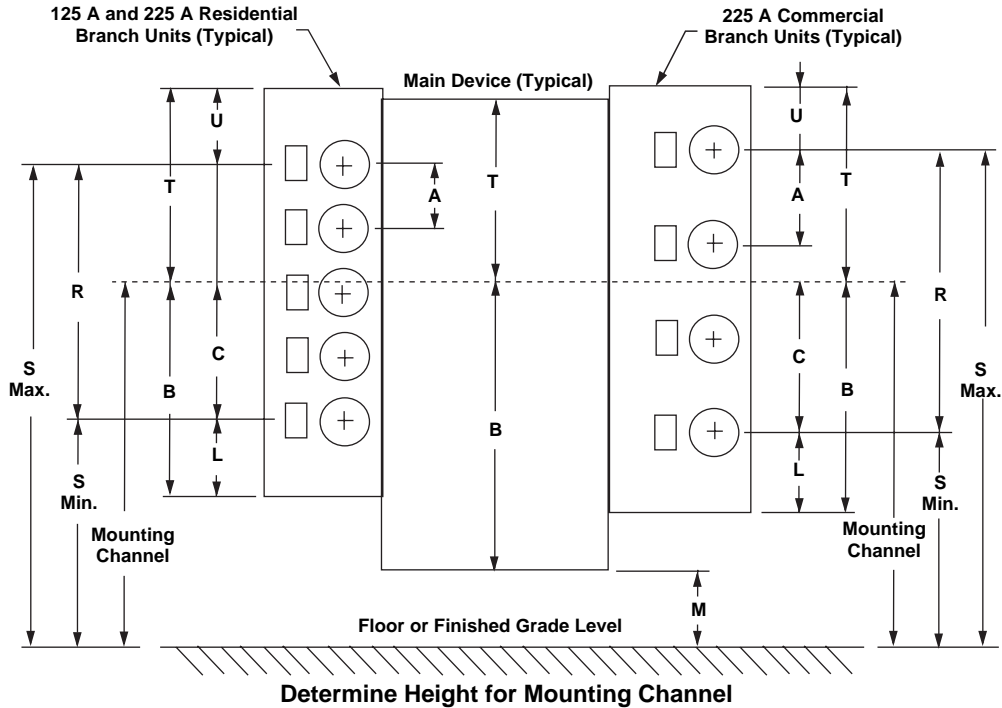
**NOTE:** Mounting channel height of 56.51 in. (1435 mm) is for reference only. Consult local utility for minimum and maximum meter socket height requirements to properly position mounting channel above grade level.

Catalog Number	Height		Width		Depth		B		T		M <sup>1</sup>	
	in.	[mm]	in.	[mm]	in.	[mm]	in.	[mm]	in.	[mm]	in.	[mm]
EZM11000CB	53.97	1371	18.66	474	11.50	292	34.30	871	19.67	500	22.21	564
EZM11000CBU	70.05	1779	34.19	868	18.33	466	46.99	1194	23.06	586	9.52	242
EZM11200CB	61.19	1554	30.19	767	18.33	466	38.13	969	23.06	586	18.38	467
EZM11200CBU	70.05	1779	34.19	868	18.33	466	46.99	1194	23.06	586	9.52	242
EZM11200FS	61.19	1554	30.19	767	18.33	466	38.13	969	23.06	586	18.38	467
EZM11200FSU	70.05	1779	34.19	868	18.33	466	46.99	1193	23.07	586	9.53	242
EZM11600CB	61.19	1554	30.19	767	18.33	466	38.13	969	23.06	586	18.38	467
EZM11600CBU	71.19	1808	30.19	767	18.33	466	48.12	1222	23.07	586	8.39	213
EZM11200TBU	44.71	1136	33.16	842	11.12	282	31.17	792	13.54	344	25.34	644
EZM11600CB	61.19	1554	30.19	767	18.33	466	38.13	969	23.06	586	18.38	467
EZM11600TB	51.58	1310	22.33	567	13.00	330	27.92	709	23.66	601	28.59	725
EZM12000CB	68.91	1750	30.19	767	18.33	466	44.25	1124	24.66	626	12.26	311
EZM12000CBU	68.91	1750	30.19	767	18.33	466	44.25	1124	24.66	626	12.26	311
EZM12000TB	71.13	1807	30.19	767	21.46	545	37.62	956	33.51	851	18.89	480
EZM1225TB	21.81	554	11.50	292	5.81	148	13.00 <sup>2</sup>	330	8.81	224	43.51	1105
EZM1400CB	53.97	1371	18.66	474	11.50	292	34.30	871	19.67	500	22.21	564
EZM1400CBU	69.03	1753	20.46	520	11.50	292	49.37	1254	19.66	499	7.14	181
EZM1400FS	53.97	1371	18.66	474	11.50	292	34.30	871	19.67	500	22.21	564
EZM1400FSU	69.03	1753	20.46	520	11.50	292	49.37	1254	19.66	499	7.14	181
EZM1400TB	30.46	774	17.00	432	6.53	166	16.29	414	14.17	360	40.22	1022
EZM1400TBU	35.71	907	17.16	436	8.00	203	27.17	690	8.54	217	29.34	745
EZM1600CB	53.97	1371	18.66	474	11.50	292	34.30	871	19.67	500	22.21	564
EZM1600CBU	69.03	1753	20.46	520	11.50	292	49.37	1254	19.66	499	7.14	181
EZM1600FS	53.97	1371	18.66	474	11.50	292	34.30	871	19.67	500	22.21	564
EZM1600FSU	69.03	1753	20.46	520	11.50	292	49.37	1254	19.66	499	7.14	181
EZM1600TB	28.43	722	17.00	432	6.53	166	16.29	414	12.14	308	40.22	1022
EZM1800CB	53.97	1371	18.66	474	11.50	292	34.30	871	19.67	500	22.21	564
EZM1800CBU	69.03	1753	20.46	520	11.50	292	49.37	1254	19.66	499	7.14	181
EZM1800FS	53.97	1371	18.66	474	11.50	292	34.30	871	19.67	500	22.21	564
EZM1800FSU	69.03	1753	20.46	520	11.50	292	49.37	1254	19.66	499	7.14	181
EZM1800TB	53.97	1371	18.66	474	11.50	292	34.30	871	19.67	500	22.21	564
EZM1800TBCU	51.76	1315	23.93	608	6.41	163	28.01	711	23.75	603	28.50	724
EZM1800TBU	39.96	1015	25.06	637	11.12	282	31.17	792	8.79	223	25.34	644
EZM1EXT	19.34	491	11.66	296	6.37	162	11.85 <sup>2</sup>	301	—	—	—	—
EZM1EXT6	19.34	491	6.00	152	6.37	162	11.85 <sup>2</sup>	301	—	—	—	—
EZM1CORNER (indoor only) <sup>3</sup>	19.50	495	14.40	366	8.02	204	11.85 <sup>2</sup>	301	—	—	—	—
EZM1ELBOW (indoor only) <sup>4</sup>	19.50	495	14.52	369	8.01	204	11.85 <sup>2</sup>	301	—	—	—	—
EZM31000CB	53.97	1371	18.66	474	11.50	292	34.30	871	19.67	500	22.21	564
EZM31000CBU	70.05	1779	34.19	868	18.33	466	46.99	1194	23.06	586	9.52	242
EZM31200CB	61.19	1554	30.19	767	18.33	466	38.13	969	23.06	586	18.38	467
EZM31200CBU	70.05	1779	34.19	868	18.33	466	46.99	1194	23.06	586	9.52	242
EZM31200TBU	44.71	1136	33.16	842	11.12	282	31.17	792	13.54	344	25.34	644
EZM31600CB	61.19	1554	30.19	767	18.33	466	38.13	969	23.06	586	18.38	467
EZM31600CBU	68.69	1745	27.69	707	18.45	471	49.12	1255	19.57	525	7.39	189
EZM31600TB	55.12	1400	22.40	569	12.94	329	29.67	754	25.45	646	26.84	682
EZM32000CB	68.91	1750	30.19	767	18.33	466	44.25	1124	24.66	626	12.26	311
EZM32000CBU	68.91	1750	30.19	767	18.33	466	44.25	1124	24.66	626	12.26	311
EZM32000TB	71.13	1807	30.19	767	21.46	545	37.62	956	33.51	851	18.89	480
EZM3225TB	21.81	554	11.50	292	5.81	148	13.00 <sup>2</sup>	330	8.81	224	43.51	1105
EZM3400CB	53.97	1371	18.66	474	11.50	292	34.30	871	19.67	500	22.21	564
EZM3400CBU	69.03	1753	20.46	520	11.50	292	49.37	1254	19.66	499	7.14	181
EZM3400FS	53.97	1371	18.66	474	11.50	292	34.30	871	19.67	500	22.21	564
EZM3400FSU	69.03	1753	20.46	520	11.50	292	49.37	1254	19.66	499	7.14	181
EZM3400TB	30.46	774	17.15	436	7.09	180	16.29	414	14.17	360	40.22	1022
EZM3400TBU	35.71	907	17.16	436	8.00	203	27.17	690	8.54	217	29.34	745
EZM3600CB	53.97	1371	18.66	474	11.50	292	34.30	871	19.67	500	22.21	564
EZM3600CBU	69.03	1753	26.19	665	11.65	296	49.37	1254	19.66	499	7.14	181
EZM3600FS	53.97	1371	18.66	474	11.50	292	34.30	871	19.67	500	22.21	564
EZM3600FSU	69.03	1753	26.19	665	11.65	296	49.37	1254	19.66	499	7.14	181
EZM3600TB	30.46	774	17.15	436	7.09	180	16.29	414	14.17	360	40.22	1022
EZM3800CB	53.97	1371	18.66	474	11.50	292	34.30	871	19.67	500	22.21	564
EZM3800CBU	69.03	1753	26.19	665	11.65	296	49.37	1254	19.66	499	7.14	181
EZM3800FS	53.97	1371	18.66	474	11.50	292	34.30	871	19.67	500	22.21	564
EZM3800FSU	69.03	1753	26.19	665	11.65	296	49.37	1254	19.66	499	7.14	181
EZM3800TB	53.97	1371	18.66	474	11.50	292	34.30	871	19.67	500	22.21	564
EZM3800TBCU	51.76	1315	23.93	608	6.41	163	28.01	711	23.75	603	28.50	724
EZM3800TBU	39.96	1015	25.06	637	11.12	282	31.17	792	8.79	223	25.34	644
EZM3EXT	19.34	491	11.66	296	6.37	162	11.85 <sup>2</sup>	301	—	—	—	—
EZM3EXT6	19.34	491	6.00	152	6.37	162	11.85 <sup>2</sup>	301	—	—	—	—
EZM3CORNER (indoor only) <sup>3</sup>	19.50	495	14.40	366	8.02	204	11.85 <sup>2</sup>	301	—	—	—	—
EZM3ELBOW (indoor only) <sup>4</sup>	19.50	495	14.52	369	8.01	204	11.85 <sup>2</sup>	301	—	—	—	—

<sup>1</sup> If channel height is 56.51 in. (1435 mm) then M =  
<sup>2</sup> Device supplied without mounting channel, secure to wall by use of rotating mounting feet.  
<sup>3</sup> Each leg of this corner section measures 14.72 in. (373.89 mm) from wall to start of next enclosure.  
<sup>4</sup> Each leg of elbow section measures 6.17 in. (156.72 mm) corner of wall to start of next enclosure.

# EZ Meter-Pak<sup>®</sup> Meter Centers

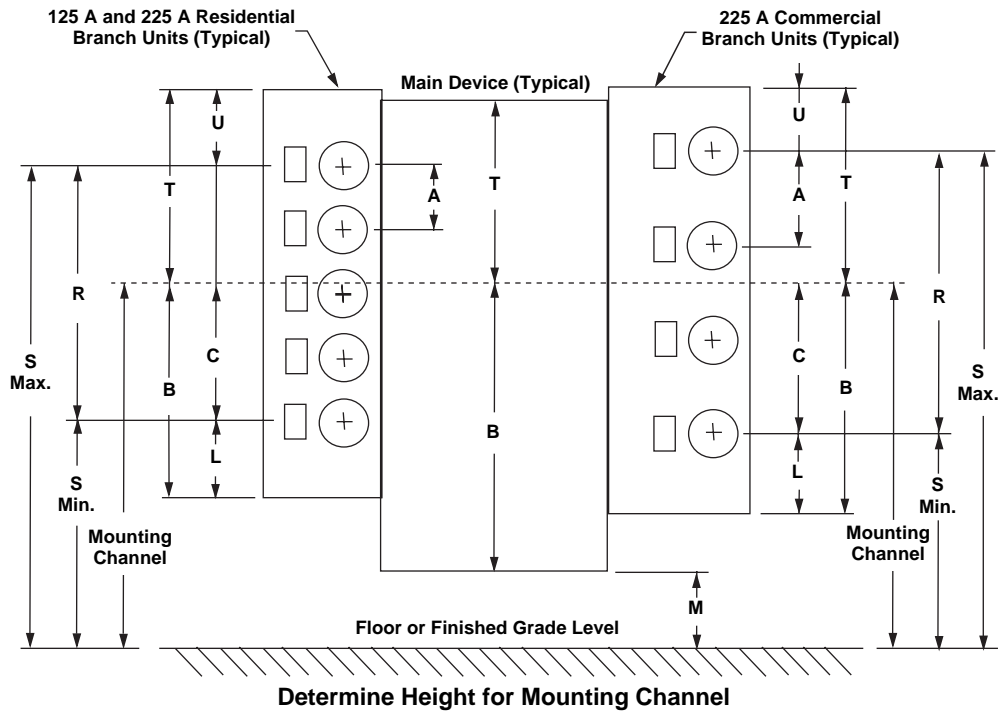
## Main Devices



NOTE: S Max., S Min., and M dimensions are based on local utility requirements and will determine proper height for mounting channel.

### Single-Phase Branch Devices

Catalog Number (available suffix)	Height		Width		Depth		A		Mtg. Channel (B)		C		T		Top Meter (U)		Bottom Meter (L)		(R)	if "S Min." for Bottom Meter = 30 then...					
	in.	[mm]	in.	[mm]	in.	[mm]	in.	[mm]	in.	[mm]	in.	[mm]	in.	[mm]	in.	[mm]	in.	[mm]		in.	[mm]	in.	[mm]	in.	[mm]
	Top Meter is...		Mounting Channel Height																						
EZM112225 (X, CUX)	43.41	1103	17.38	441	8.09	205	9.00	229	32.34	821	20.11	511	11.07	281	22.18	563	12.23	311	9.00	229	39.00	991	50.11	1273	
EZM113125 (X, CUX)	42.37	1076	12.25	311	7.09	180	9.00	229	31.30	795	20.11	511	11.07	281	13.18	335	11.19	284	18.00	457	48.00	1219	50.11	1273	
EZM113225 (X, CUX)	43.41	1103	17.38	441	8.09	205	9.00	229	32.34	821	20.11	511	11.07	281	13.18	335	12.23	311	18.00	457	48.00	1219	50.11	1273	
EZM114125 (X, CUX)	48.12	1222	12.25	311	7.09	180	9.00	229	31.30	795	20.11	511	16.82	427	9.93	252	11.19	284	27.00	686	57.00	1448	50.11	1273	
EZM114225 (X, CUX)	52.00	1321	17.38	441	8.09	205	9.00	229	32.34	821	20.11	511	19.66	499	12.77	324	12.23	311	27.00	686	57.00	1448	50.11	1273	
EZM115125 (X, CUX)	57.12	1451	12.25	311	7.09	180	9.00	229	31.30	795	20.11	511	25.82	656	9.93	252	11.19	284	36.00	914	66.00	1676	50.11	1273	
EZM115225 (CU)	61.00	1549	17.38	441	8.09	205	9.00	229	32.35	821	20.12	511	28.65	728	12.77	324	12.23	311	36.00	914	66.00	1676	50.12	1273	
EZM116125 (X, CUX)	66.12	1679	12.25	311	7.09	180	9.00	229	40.30	1024	29.11	739	25.82	656	9.93	252	11.19	284	45.00	1143	75.00	1905	59.11	1501	
EZMH112225 (X, CUX)	43.41	1103	17.38	441	8.09	205	9.00	229	32.34	821	20.11	511	11.07	281	22.18	563	12.23	311	9.00	229	39.00	991	50.11	1273	
EZMH113125 (X, CUX)	42.37	1076	12.25	311	7.09	180	9.00	229	31.30	795	20.11	511	11.07	281	13.18	335	11.19	284	18.00	457	48.00	1219	50.11	1273	
EZMH113225 (X, CUX)	43.41	1103	17.38	441	8.09	205	9.00	229	32.34	821	20.11	511	11.07	281	13.18	335	12.23	311	18.00	457	48.00	1219	50.11	1273	
EZMH114125 (X, CUX)	48.12	1222	12.25	311	7.09	180	9.00	229	31.30	795	20.11	511	16.82	427	9.93	252	11.19	284	27.00	686	57.00	1448	50.11	1273	
EZMH114225 (X, CUX)	52.00	1321	17.38	441	8.09	205	9.00	229	32.34	821	20.11	511	19.66	499	12.77	324	12.23	311	27.00	686	57.00	1448	50.11	1273	
EZMH115125 (X, CUX)	57.12	1451	12.25	311	7.09	180	9.00	229	31.30	795	20.11	511	25.82	656	9.93	252	11.19	284	36.00	914	66.00	1676	50.11	1273	
EZMH115225 (CU)	61.00	1549	17.38	441	8.09	205	9.00	229	32.35	822	20.12	511	28.65	728	12.77	324	12.23	311	36.00	914	66.00	1676	50.12	1273	
EZM116125 (X, CUX)	66.12	1679	12.25	311	7.09	180	9.00	229	40.30	1024	29.11	739	25.82	656	9.93	252	11.19	284	45.00	1143	75.00	1905	59.11	1501	
EZMK111400	45.55	1157	27.56	700	9.74	247	—	—	37.81	960	16.77	426	7.74	197	24.51	622	21.04	534	—	—	30.00	762	46.77	1188	
EZMK112400	72.99	1854	27.56	700	9.74	247	29.69	754	37.81	960	16.77	426	35.18	894	22.26	565	21.04	534	29.69	754	59.69	1516	46.77	1188	
EZML111225 (CU)	39.06	992	19.44	494	9.44	240	—	—	25.51	648	12.12	308	13.55	344	25.67	652	13.39	340	—	—	30.00	762	42.12	1070	
EZML11225D	39.06	992	19.44	494	9.44	240	—	—	25.51	648	12.12	308	13.55	344	25.67	652	13.39	340	—	—	30.00	762	42.12	1070	
EZML111400	44.55	1132	23.21	590	9.44	240	—	—	37.81	960	16.28	414	6.74	171	24.02	610	21.53	547	—	—	30.00	762	46.28	1176	
EZML112225 (CU)	39.06	992	19.44	494	9.44	240	14.00	356	25.51	648	12.12	308	13.55	344	11.67	296	13.39	340	14.00	356	44.00	1118	42.12	1070	
EZML11225D	39.06	992	19.44	494	9.44	240	14.00	356	25.51	648	12.12	308	13.55	344	11.67	296	13.39	340	14.00	356	44.00	1118	42.12	1070	
EZML112400	69.61	1768	23.21	590	9.44	240	27.44	697	37.81	960	16.28	414	31.80	808	20.64	524	21.53	547	27.44	697	57.44	1459	46.28	1175	
EZML113225 (CU)	53.06	1348	19.44	494	9.44	240	14.00	356	39.50	1003	26.16	664	13.56	344	11.72	298	13.34	339	28.00	711	58.00	1473	56.17	1427	
EZML113225D	53.06	1348	19.44	494	9.44	240	14.00	356	39.50	1003	26.16	664	13.56	344	11.72	298	13.34	339	28.00	711	58.00	1473	56.17	1427	
EZML114225 (CU)	67.06	1703	19.44	494	9.44	240	14.00	356	39.50	1003	26.16	664	27.56	700	11.72	298	13.34	339	42.00	1067	72.00	1829	56.17	1427	
EZML114225D	67.06	1703	19.44	494	9.44	240	14.00	356	39.50	1003	26.16	664	27.56	700	11.72	298	13.34	339	42.00	1067	72.00	1829	56.17	1427	
EZMR112225 (X, CUX)	43.41	1103	17.38	441	8.09	205	9.00	229	32.34	821	20.11	511	11.07	281	22.18	563	12.23	311	9.00	229	39.00	991	50.11	1273	
EZMR113125 (X, CUX)	42.37	1076	12.25	311	7.09	180	9.00	229	31.30	795	20.11	511	11.07	281	13.18	335	11.19	284	18.00	457	48.00	1219	50.11	1273	
EZMR113225 (X, CUX)	43.41	1103	17.38	441	8.09	205	9.00	229	32.34	821	20.11	511	11.07	281	13.18	335	12.23	311	18.00	457	48.00	1219	50.11	1273	
EZMR114125 (X, CUX)	48.12	1222	12.25	311	7.09	180	9.00	229	31.30	795	20.11	511	16.82	427	9.93	252	11.19	284	27.00	686	57.00	1448	50.11	1273	
EZMR114225 (X, CUX)	52.00	1321	17.38	441	8.09	205	9.00	229	32.34	821	20.11	511	19.66	499	12.77	324	12.23	311	27.00	686	57.00	1448	50.11	1273	
EZMR115125 (X, CUX)	57.12	1451	12.25	311	7.09	180	9.00	229	31.30	795	20.11	511	25.82	656	9.93	252	11.19	284	36.00	914	66.00	1676	50.11	1273	
EZMR115225 (X, CUX)	61.00	1549	17.38	441	8.09	205	9.00	229	32.35	822	20.12	511	28.65	728	12.77	324	12.23	311	36.00	914	66.00	1676	50.12	1273	
EZMR116125 (X, CUX)	66.12	1679	12.25	311	7.09	180	9.00	229	40.30	1024	29.11	739	25.82	656	9.93	252	11.19	284	45.00	1143	75.00	1905	59.11	1501	
EZMT111225	25.12	638	22.42	570	9.38	238	—	—	16.19	411	—	—	8.93	227	4.67	119	20.45	519	—	—	30.00	762	25.74	654	
EZMT112225	60.56	1538	22.42	570	9.38	238	19.00	483	43.63	1108	14.74	374	16.93	430	12.67	322	28.89	734	19.00	483	49.00	1245	44.74	1136	
EZMT113225	79.56	2021	22.42	570	9.38	238	19.00	483	48.25	1226	19.36	492	31.31	795	12.67	322	28.89	734	38.00	965	68.00	1727	49.36	1254	



**NOTE:** S Max., S Min., and M dimensions are based on local utility requirements and will determine proper height for mounting channel.

**Three-Phase Branch Devices**

Catalog Number (available suffix)	Height		Width		Depth		A		Mtg. Channel (B)		C		T		Top Meter (U)		Bottom Meter (L)		(R)		if "S Min." for Bottom Meter = 30 then...			
																					Top Meter is...		Mounting Channel Height	
	in.	[mm]	in.	[mm]	in.	[mm]	in.	[mm]	in.	[mm]	in.	[mm]	in.	[mm]	in.	[mm]	in.	[mm]	in.	[mm]	in.	[mm]	in.	[mm]
EZM312225 (X, CUX, CA, XCA, CUXCA)	43.41	1103	17.38	441	8.09	205	9.00	229	32.34	821	20.11	511	11.07	281	22.18	563	12.23	311	9.00	229	39.00	991	50.11	1273
EZM313125 (X, CUX, CA, XCA, CUXCA)	42.37	1076	12.25	311	7.09	180	9.00	229	31.30	795	20.11	511	11.07	281	13.18	335	11.19	284	18.00	457	48.00	1219	50.11	1273
EZM313125M10	42.37	1076	12.25	311	7.09	180	10.00	254	24.29	617	12.10	307	18.08	459	10.18	259	12.19	310	20.00	508	50.00	1270	42.10	1069
EZM313225 (X, CUX, CA, XCA, CUXCA)	43.41	1103	17.38	441	8.09	205	9.00	229	32.34	821	20.11	511	11.07	281	13.18	335	12.23	311	18.00	457	48.00	1219	50.11	1273
EZM314125 (X, CUX, CA, XCA, CUXCA)	48.12	1222	12.25	311	7.09	180	9.00	229	31.30	795	20.11	511	16.82	427	9.93	252	11.19	284	27.00	686	57.00	1448	50.11	1273
EZM314225M10	52.12	1324	12.25	311	7.09	180	10.00	254	34.29	871	22.10	561	17.83	453	9.93	252	12.19	310	30.00	762	60.00	1524	52.10	1323
EZM314225 (X, CUX, CA, XCA, CUXCA)	52.00	1321	17.38	441	8.09	205	9.00	229	32.34	821	20.11	511	19.66	499	12.77	324	12.23	311	27.00	686	57.00	1448	50.11	1273
EZM315125 (X, CUX, CA, XCA, CUXCA)	57.12	1451	12.25	311	7.09	180	9.00	229	31.30	795	20.11	511	25.82	656	9.93	252	11.19	284	36.00	914	66.00	1676	50.11	1273
EZM315125M10	62.12	1578	12.25	311	7.09	180	10.00	254	34.29	871	22.10	561	27.83	707	9.93	252	12.19	310	40.00	1016	70.00	1778	52.10	1323
EZM315225 (CU, CA, CUCA)	61.00	1549	17.38	441	8.09	205	9.00	229	32.35	822	20.12	511	28.65	728	12.77	324	12.23	311	36.00	914	66.00	1676	50.12	1273
EZM316125 (X, CUX, CA, XCA, CUXCA)	66.12	1679	12.25	311	7.09	180	9.00	229	40.30	1024	29.11	739	25.82	656	9.93	252	11.19	284	45.00	1143	75.00	1905	59.11	1501
EZMH312225 (X, CUX, CA, XCA, CUXCA)	43.41	1103	17.38	441	8.09	205	9.00	229	32.34	821	20.11	511	11.07	281	22.18	563	12.23	311	9.00	229	39.00	991	50.11	1273
EZMH313125 (X, CUX, CA, XCA, CUXCA)	42.37	1076	12.25	311	7.09	180	9.00	229	31.30	795	20.11	511	11.07	281	13.18	335	11.19	284	18.00	457	48.00	1219	50.11	1273
EZMH313225 (X, CUX, CA, XCA, CUXCA)	43.41	1103	17.38	441	8.09	205	9.00	229	32.34	821	20.11	511	11.07	281	13.18	335	12.23	311	18.00	457	48.00	1219	50.11	1273
EZMH314125 (X, CUX, CA, XCA, CUXCA)	48.12	1222	12.25	311	7.09	180	9.00	229	31.30	795	20.11	511	16.82	427	9.93	252	11.19	284	27.00	686	57.00	1448	50.12	1273
EZMH314225 (X, CUX, CA, XCA, CUXCA)	52.00	1321	17.38	441	8.09	205	9.00	229	32.34	821	20.11	511	19.66	499	12.77	324	12.23	311	27.00	686	57.00	1448	50.11	1273
EZMH315125 (X, CUX, CA, XCA, CUXCA)	57.12	1451	12.25	311	7.09	180	9.00	229	31.30	795	20.11	511	25.82	656	9.93	252	11.19	284	36.00	914	66.00	1676	50.11	1273
EZMH315225 (CU, CA, CUCA)	61.00	1549	17.38	441	8.09	205	9.00	229	32.35	822	20.12	511	28.65	728	12.77	324	12.23	311	36.00	914	66.00	1676	50.12	1273
EZMH316125 (X, CUX, CA, XCA, CUXCA)	66.12	1679	12.25	311	7.09	180	9.00	229	40.30	1024	29.11	739	25.82	656	9.93	252	11.19	284	45.00	1143	75.00	1905	59.11	1501
EZMK311400 (CA)	45.55	1157	27.56	700	9.74	247	—	—	30.60	777	16.77	426	7.74	197	24.51	623	21.04	534	—	—	30.00	762	46.77	1188

# EZ Meter-Pak<sup>®</sup> Meter Centers

## Main Devices

### Three-Phase Branch Devices

Catalog Number (available suffix)	Height		Width		Depth		A		Mtg. Channel (B)		C		T		Top Meter (U)		Bottom Meter (L)		(R)		if "S Min." for Bottom Meter = 30 then...					
	in.	[mm]	in.	[mm]	in.	[mm]	in.	[mm]	in.	[mm]	in.	[mm]	in.	[mm]	in.	[mm]	in.	[mm]	in.	[mm]	in.	[mm]	Top Meter is...		Mounting Channel Height	
																							in.	[mm]	in.	[mm]
EZMK312400 (CA)	72.99	1854	27.56	700	9.74	247	29.69	754	37.81	960	16.77	426	35.18	894	22.26	565	21.04	534	29.69	754	59.69	1516	46.77	1188		
EZMK331400	45.55	1157	27.56	700	9.74	247	—	—	30.60	777	16.77	426	7.74	197	24.51	623	21.04	534	—	—	30.00	762	46.77	1188		
EZMK332400	72.99	1854	27.56	700	9.74	247	29.69	754	37.81	960	16.77	426	35.18	894	22.26	565	21.04	534	29.69	754	59.69	1516	46.77	1188		
EZML311400 (CA)	45.55	1157	23.21	589	9.44	240	—	—	37.81	960	16.28	414	7.74	197	24.02	610	21.53	547	—	—	30.00	762	46.28	1175		
EZML312225 (CU, CA, CUCA)	39.06	992	19.44	494	9.44	240	14.00	356	25.50	648	12.17	309	13.56	344	11.73	298	13.33	339	14.00	356	44.00	1118	42.17	1071		
EZML31225D (CA)	39.06	992	19.44	494	9.44	240	14.00	356	25.50	648	12.17	309	13.56	344	11.73	298	13.33	339	14.00	356	44.00	1118	42.17	1071		
EZML312400 (CA)	69.61	1768	23.21	589	9.44	240	27.44	697	37.81	960	16.28	414	31.80	808	20.64	524	21.53	547	27.44	697	57.44	1459	46.28	1176		
EZML313225 (CU, CA, CUCA)	53.06	1348	19.44	494	9.44	240	14.00	356	39.50	1003	26.17	665	13.56	344	11.72	298	13.34	339	28.00	711	58.00	1473	56.17	1427		
EZML313225D (CA)	53.06	1348	19.44	494	9.44	240	14.00	356	39.50	1003	26.17	665	13.56	344	11.72	298	13.34	339	28.00	711	58.00	1473	56.17	1427		
EZML314225 (CU, CA, CUCA)	67.06	1703	19.44	494	9.44	240	14.00	356	39.50	1003	26.17	665	27.56	700	11.73	298	13.34	339	42.00	1067	72.00	1829	56.17	1427		
EZML314225D (CA)	67.06	1703	19.44	494	9.44	240	14.00	356	39.50	1003	26.17	665	27.56	700	11.73	298	13.34	339	42.00	1067	72.00	1829	56.17	1427		
EZML331225 (CU)	39.06	992	19.44	494	9.44	240	—	—	25.50	648	12.17	309	13.56	344	25.73	654	13.33	339	—	—	30.00	762	42.17	1071		
EZML331225D	39.06	992	19.44	494	9.44	240	—	—	25.50	648	12.17	309	13.56	344	25.73	654	13.33	339	—	—	30.00	762	42.17	1071		
EZML331400	45.55	1157	23.21	590	9.44	240	—	—	37.81	960	16.28	414	7.74	197	24.02	610	21.53	547	—	—	30.00	762	46.28	1176		
EZML332225 (CU)	39.06	992	19.44	494	9.44	240	14.00	356	25.50	648	12.17	309	13.56	344	11.74	298	13.33	339	13.99	355	43.99	1117	42.17	1071		
EZML332225D	39.06	992	19.44	494	9.44	240	14.00	356	25.50	648	12.17	309	13.56	344	11.74	298	13.33	339	13.99	355	43.99	1117	42.17	1071		
EZML332400 (CU)	69.61	1768	23.21	590	9.44	240	27.44	697	37.81	960	16.28	414	31.80	808	20.64	524	21.53	547	27.44	697	57.44	1459	46.28	1176		
EZML333225 (CU)	53.06	1348	19.44	494	9.44	240	14.00	356	39.50	1003	26.16	664	13.56	344	11.72	298	13.34	339	28.00	711	58.00	1473	56.17	1427		
EZML333225D	53.06	1348	19.44	494	9.44	240	14.00	356	39.50	1003	26.16	664	13.56	344	11.72	298	13.34	339	28.00	711	58.00	1473	56.17	1427		
EZML334225 (CU)	67.06	1703	19.44	494	9.44	240	14.00	356	39.50	1003	26.16	664	27.56	700	11.72	298	13.34	339	42.00	1067	72.00	1829	56.17	1427		
EZML334225D	67.06	1703	19.44	494	9.44	240	14.00	356	39.50	1003	26.16	664	27.56	700	11.72	298	13.34	339	42.00	1067	72.00	1829	56.17	1427		
EZMR312225 (X, CUX, CA, XCA, CUXCA)	43.41	1103	17.38	441	8.09	205	9.00	229	32.34	821	20.11	511	11.07	281	22.18	563	12.23	311	9.00	229	39.00	991	50.11	1273		
EZMR313125 (X, CUX, CA, XCA, CUXCA)	42.37	1076	12.25	311	7.09	180	9.00	229	31.30	795	20.11	511	11.07	281	13.18	335	11.19	284	18.00	457	48.00	1219	50.11	1273		
EZMR313225 (X, CUX, CA, XCA, CUXCA)	43.41	1103	17.38	441	8.09	205	9.00	229	32.34	821	20.11	511	11.07	281	13.18	335	12.23	311	18.00	457	48.00	1219	50.11	1273		
EZMR314125 (X, CUX, CA, XCA, CUXCA)	48.12	1222	12.25	311	7.09	180	9.00	229	31.30	795	20.11	511	16.82	427	9.93	252	11.19	284	27.00	686	57.00	1448	50.11	1273		
EZMR314225 (X, CUX, CA, XCA, CUXCA)	52.00	1321	17.38	441	8.09	205	9.00	229	32.34	821	20.11	511	19.66	499	12.77	324	12.23	311	27.00	686	57.00	1448	50.11	1273		
EZMR315125 (X, CUX, CA, XCA, CUXCA)	57.12	1451	12.25	311	7.09	180	9.00	229	31.30	795	20.11	511	25.82	656	9.93	252	11.19	284	36.00	914	66.00	1676	50.11	1273		
EZMR315225 (CU, CA, CUXCA)	60.94	1548	17.37	441	8.09	205	9.00	229	32.35	822	20.14	512	28.59	726	12.73	323	12.21	310	36.00	914	66.00	1676	50.14	1274		
EZMR316125 (X, CUX, CA, XCA, CUXCA)	66.12	1679	12.25	311	7.09	180	9.00	229	40.30	1024	29.11	739	25.82	656	9.93	252	11.19	284	45.00	1143	75.00	1905	59.11	1501		
EZMR332225 (CU)	39.06	992	19.44	494	9.44	240	14.00	356	25.50	648	12.17	309	13.56	344	11.74	298	13.33	339	13.99	355	43.99	1117	42.17	1071		
EZMR333225 (CU)	53.06	1348	19.44	494	9.44	240	14.00	356	39.50	1003	26.16	664	13.56	344	11.72	298	13.34	339	28.00	711	58.00	1473	56.17	1426		
EZMR334225 (CU)	67.06	1703	19.44	494	9.44	240	14.00	356	39.50	1003	26.16	664	27.56	700	11.72	298	13.34	339	42.00	1067	72.00	1829	56.16	1426		
EZMT311225 (CA)	25.12	638	22.42	569	9.38	238	—	—	16.19	411	—	—	8.93	227	4.67	119	20.45	519	—	—	30.00	762	25.74	654		
EZMT312225 (CA)	60.56	1538	22.42	569	9.38	238	19.00	483	43.63	1108	14.74	374	16.93	430	12.67	322	28.89	734	19.00	483	49.00	1245	44.74	1136		
EZMT313225 (CA)	79.56	2021	22.42	569	9.38	238	19.00	483	48.25	1226	19.36	492	31.31	795	12.67	322	28.89	734	38.00	965	68.00	1727	49.36	1254		
EZMT331225	25.12	638	22.42	569	9.38	238	—	—	16.19	411	—	—	8.93	227	4.67	119	20.45	519	—	—	30.00	762	25.74	654		
EZMT332225	60.56	1538	22.42	569	9.38	238	19.00	483	43.63	1108	14.74	374	16.93	430	12.67	322	28.89	734	19.00	483	49.00	1245	44.74	1136		
EZMT333225	79.56	2021	22.42	569	9.38	238	19.00	483	48.25	1226	19.36	492	31.31	795	12.67	322	28.89	734	38.00	965	68.00	1727	49.36	1254		



## Closing Plates



**Closing Plates Provided with Main Device  
for use at Each End of Metering Line-Up**

### Closing Plates—Main Devices

- EZM main devices are supplied with two closing plates, one on each side of the enclosure, to cover and seal openings for horizontal cross bus.
- Right-side closing plate is one inch deep and secured to the box side using three 1/4-20 captive screws and three 1/4-inch hex nuts. Two sealing wing nuts for this side are provided in the bag assembly packed with each main device. Holes in wing nuts and lanced ears in closing plates are provided to seal the closing plate to the box sides. Install one wing nut on screw extending through closing plate at bottom of center and the other wing nut on screw extending through the closing plate at the top front to seal.
- Left-side closing plate is two inches deep and secured to box side using three 1/4-20 carriage head screws and three 1/4-inch hex nuts. Two sealing wing nuts for this side are provided in the bag assembly packed with each device. Holes in wing nuts and lanced ears in closing plates are provided to seal the closing plate to the box sides. Install one wing nut on screw extending through the closing plate at bottom center and the other wing nut on screw extending through closing plate at the top rear to seal. Where sealing is not required, install screws from outside to inside of unit and secure with hex nuts.

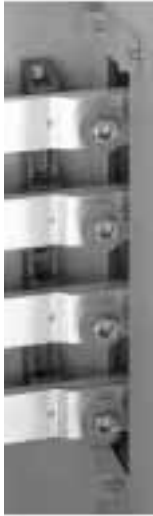
### Closing Plates—Branch Units

EZM branch units are shipped without closing plates, but are designed to receive one from a main device. To install, remove closing plate from side of main device before connecting branch unit to main device. After last branch unit is installed in lineup, follow closing plate installation instructions for main devices.

### Closing Plates—Main Devices and Branch Units

When adding on to an existing EZM metering equipment line up, repeat the above procedure by moving closing plate to end of lineup.

## EZ Meter-Pak<sup>®</sup> Meter Centers Horizontal Cross Bus



Right End of 3Ø  
Horizontal Cross Bus,  
Shown with Visi-Tite Nuts



Left End of 3Ø Horizontal  
Cross Bus, Shown with  
Slotted End Bus Bars

### Horizontal Cross Bus

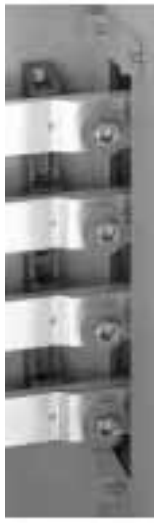
**800 A aluminum horizontal cross bus is standard for the following devices:**

- 400, 600, 800, and 1000 A main circuit breaker devices
- 400, 600, and 800 A main fusible switches
- 225, 400, 600, and 800 A main lugs terminal boxes
- 125 and 225 A residential branch units
- Right end of each horizontal cross bus bar is supplied with 1/2-13 captive bolt and Visi-Tite<sup>®</sup> nut
- Left end of each horizontal cross bus bar has a slotted end
- 800 A horizontal cross bussed units will connect with 1200 A horizontal cross bussed units
- 1Ø main and branch units have 3 horizontal cross bus bars (Ø, Ø and neutral)
- 3Ø main and branch units have 4 horizontal cross bus bars (AØ, BØ, CØ, and neutral)
- 1Ø main or branch units **will not** interconnect with 3Ø main or branch units.

**1200 A copper horizontal cross bus is standard in the following devices:**

- 1000 A "CBU" suffix main circuit breaker devices
- 1200 A "CB" and "CBU" suffix main circuit breaker devices (must be center mounted when used with branch devices with main bus rated 800 A)
- 1600 A "CB" and "CBU" suffix main circuit breaker devices (must always be center mounted)
- 1200 A "TBU" suffix main lug terminal devices (must be center mounted when used with branch devices with main bus rated 800 A)
- 1600 A "TB" suffix main lug terminal devices (must always be center mounted)
- 2000 A "TB" suffix main lug terminal devices (must always be center mounted and require the use of branch devices having 1200 A horizontal cross bus)
- 125 A and 225 A "CUX" suffix residential branch devices
- 225 A commercial branch units
- 400 A commercial branch units
- Right end of each horizontal cross bus bar is supplied with 1/2-13 captive bolt and Visi-Tite nut
- Left end of each horizontal cross bus bar has a slotted end
- 1200 A horizontal cross bussed units will connect with 800 A horizontal cross bussed units
- 1Ø main and branch units have 3 horizontal cross bus bars (Ø, Ø and neutral)
- 3Ø main and branch units have 4 horizontal cross bus bars (AØ, BØ, CØ, and neutral)
- 1Ø main or branch units **will not** interconnect with 3Ø main or branch units.

## Equipment Grounding Procedure



**Captive Equipment Bonding  
Screws are Located on Right  
Side of Each EZM Main and  
Branch Device**



**Install Hex Nuts with  
Star Washers onto  
Captive Screws**



**Tighten Until Outer Head Twists Off and RED  
Indicating Disc Falls Away**



**Shown with RED  
Indicating Disc in Place**



**Shown with Outer Head  
and RED Indicating Disc  
Falling Away**



**Shown After Installation of Cross  
Bus Structure is Complete**

1. Install mounting channels to wall at proper height (refer to "Mounting Channel" on page 11).
2. Remove closing plates from sides of EZM main device next to where EZM branch sections are to be installed.
3. Position units on mounting channel next to each other, but do not secure rotating mounting brackets to wall at this time.
4. Remove outer covers EZM main device and exterior covers from EZM branch sections (refer to page 21 for outer covers on branch devices).
5. Remove individual meter socket cover from over horizontal cross bus area of EZM branch sections (refer to "Individual Meter Socket Covers" on page 21).
6. Bond enclosures together by sliding three captive screws from the RIGHT side of unit through holes in box side (closing plate holes), and through LEFT side of adjacent enclosure. Install three 1/4-20 hex nuts with star washer provided onto 1/4-20 captive screws and torque to 50 lb-in. (5.6 N•m). Bonding for equipment ground path is complete, and enclosure gaskets are compressed to seal connection between units.
7. Replace closing plates at each end of metering equipment lineup (refer to "Closing Plates" on page 17).

At this point, the enclosures are connected together and a bonded equipment ground path is established. The next installation step involves connection of the horizontal cross bus assemblies.

### Visi-Tite® Nut Horizontal Cross Bus Connectors

- The Visi-Tite nut horizontal cross bus connector is a high-strength 1/2-13 UNC double-headed torque indicating nut. Installed as an integral part of the horizontal cross bus structure in every EZM main and branch device, this unique nut makes it possible to ensure proper torque at each connection without the need for a torque wrench.
- The torque indicating Visi-Tite nut assembly also makes it possible to reduce equipment installation time over other designs requiring the use of a torque wrench.
- When making EZM metering equipment cross bus connections, there is no need for a torque wrench. Use a socket wrench with a long handle to tighten the outer Visi-Tite nut head until it twists off and releases the RED plastic warning disc.
- If the RED disc remains visible during inspection, the horizontal cross bus assembly has not yet been tightened.
- Once the outer Visi-Tite nut head is twisted off, an inner hex-head nut remains for use with a torque wrench on maintenance checks or relocation of equipment (torque 50 lb-ft./600 lb-in. [68 N•m]).
- All phase and neutral connections to the horizontal cross bus structure are now completed.
- The final step is to secure the rotating mounting brackets to the wall at top and bottom of each EZM main and branch unit enclosure.

## EZ Meter-Pak<sup>®</sup> Meter Centers Accessories



Snap-Type  
Sealing Ring



Screw-Type  
Sealing Ring



BCV Circuit Breaker Door  
Shown with Door Closed



BCM Circuit Breaker Cover  
Shown with Door Open



LEXAN Closing Plate



Ringless-Type Metal Closing Plate

## Accessories

### Sealing Rings for Ring-Type Meter Sockets

Standard Snap-Type Aluminum Sealing Ring, catalog number 29209-100-01, is the standard sealing ring for all ring-type EZM branch sections. Replacement sealing rings may be ordered separately.

Snap-Type Stainless Steel Sealing Ring, catalog number ARP00026, is a non-standard sealing ring. Order separately and install when required by the local utility.

Screw-Type Aluminum Sealing Ring, catalog number 29008W, is a non-standard sealing ring. Order separately and install when required by the local utility.

### Circuit Breaker Doors

125, 225, and 400 A EZM branch sections are supplied with factor-installed circuit breaker doors constructed of durable impact-resistant material. The following replacement kits are available:

- BCV replacement door for vertically operated circuit breaker handles:
  - 125 A ring and ringless residential branch sections
  - 225 A ring and ringless residential branch sections
  - 225 A ringless commercial branch sections
  - Supplied with built-in latch with padlock provisions.
- BCM replacement door for vertically operated circuit breaker handles:
  - 400 A ringless commercial branch sections
  - 400–800 A standard and EUSERC fusible switch main devices
  - 400–1000 A standard circuit breaker main devices
  - 400–1200 A EUSERC circuit breaker main devices
  - Supplied with built-in latch with padlock provisions.

### Individual Meter Socket Closing Plates

LEXAN<sup>®</sup> Meter Socket Closing Plate for Residential Branch Units:

- Order separately (catalog number 29007)
- For use with 125 and 200 A residential branch units
- Molded of LEXAN #141-112 polycarbonate resin
- LEXAN offers high-impact and tensile strength characteristics and contains an ultra-violet inhibitor to ensure years of clear visibility
- Closing plates have four LEXAN blades as a part of the molding used to engage meter socket jaws.

Metal Meter Socket Closing Plate for Ringless-Type Branch Units:

- Order separately (catalog number RSG4)
- For use with ringless-type branch units
- Metal closing plate attaches to individual meter socket cover from the backside with four hold-down screws
- Closing plate cannot be removed from individual meter socket cover with meter socket cover installed on branch unit.

**Branch Unit Outer Covers for Tenant Circuit Breaker and Individual Meter Socket Compartments**

125 and 225 A Ring-Type Residential Branch Unit Outer Covers for Tenant Circuit Breaker Compartments and Individual Meter Socket Covers:



**EZM113125 (Ring-Type)  
Outer Tenant Circuit Breaker  
Cover and Individual  
Meter Socket Covers**



**EZM113200 (Ring-Type)  
Outer Tenant Circuit Breaker  
Cover and Individual  
Meter Socket Covers**

- Outer tenant circuit breaker covers can be removed without disturbing sealed utility meters mounted to the individual meter socket cover.
- All unmetered conductor compartments remain sealed and isolated when outer tenant circuit breaker covers are removed.
- Outer tenant circuit breaker covers are supplied with individual tenant circuit breaker doors that may be locked with a padlock.
- An individual meter socket cover is supplied for each meter socket position.
- Each ring-type meter socket cover has a rim formed into the cover to support the base of the utility meter.
- Aluminum snap-type sealing rings are standard and are used to attach the base of the utility meter to the rim. A slot is provided in the tab of the sealing ring for the local utility to install their seal to lock the meter into place.

125, 225, and 400 A Ringless-Type Branch Unit Outer Covers for Tenant Circuit Breaker Compartments and Individual Meter Socket Covers:



**EZML113200  
(Ringless-Type)  
Outer Tenant Circuit  
Breaker Cover and  
Individual Meter  
Socket Covers**



**EZML332200  
(Ringless-Type)  
Outer Tenant Circuit  
Breaker Cover and  
Individual Meter  
Socket Covers**

- Outer tenant circuit breaker covers can be removed without disturbing sealed utility meters secured under individual meter socket covers.
- All unmetered conductor compartments remain sealed and isolated when outer tenant circuit breaker covers are removed.
- Outer tenant circuit breaker covers are supplied with individual tenant circuit breaker doors that may be locked with a padlock.
- Individual ringless-type meter socket covers are supplied with stainless steel hasps that extend through cover and stainless steel latches for sealing covers to branch unit while utility meter or closing plate is mounted in meter socket.
- Ringless meter socket covers have provisions to accept utility seals including plastic padlocks, lead and wire seals, padlocks, and barrel locks, to prevent unauthorized access to meter socket compartment.

## EZ Meter-Pak® Meter Centers Accessories



225 A Branch Unit Load Neutral Terminals



225 A Branch Unit  
Load Neutral Terminals



400 A Branch Unit  
Load Neutral Terminals



Branch Unit Load Equipment Grounding Terminals

### Branch Unit Load Neutral Terminals

125 A branch unit load neutral terminals accept one 14-2/0 AWG copper or one 12-2/0 AWG aluminum conductor per meter socket position.

225 A branch unit load neutral terminals accept one 6 AWG-300 kcmil aluminum or copper conductor per meter socket position.

400 A branch unit load neutral terminals will accept one 1/0 AWG-600 kcmil or two 1/0 AWG-250 kcmil aluminum or copper conductor(s) per meter socket position.

### Branch Unit Load Equipment Grounding Terminals

Branch units are supplied with load equipment grounding terminals for feeds to downstream panelboards.

Grounding terminals on 125 and 225 A branch devices have provisions to accept one 14-2/0 AWG copper, or one 12-2/0 AWG aluminum conductor per meter socket position.

Grounding terminals on 400 A branch devices have provisions to accept one 4 AWG-300 kcmil copper or aluminum conductor per meter socket position.

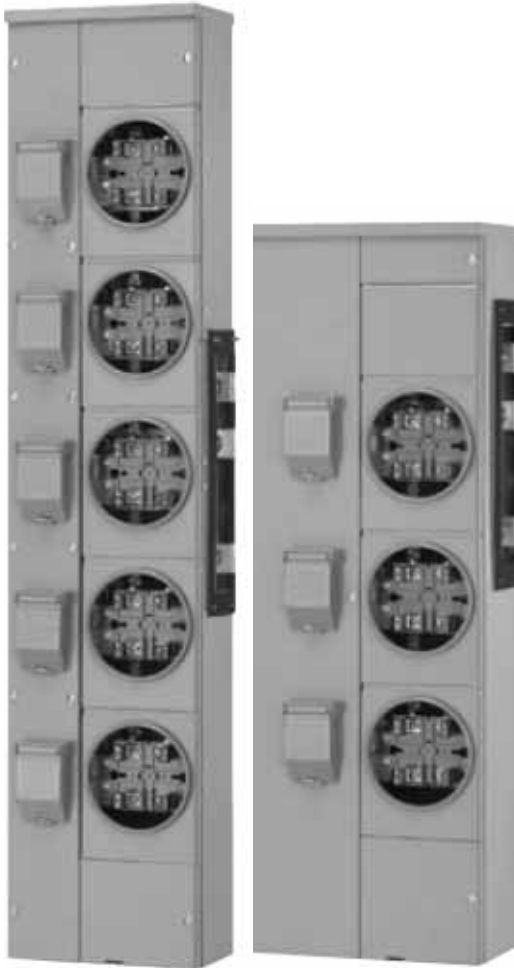
Grounding terminals are factory-installed at the bottom of the wiring gutter compartment, but may be relocated to the top of the wiring gutter compartment when exiting out the top of the device.

**Meter Sockets**

**Branch Unit Tenant Circuit Breaker Types and Meter Socket Configurations**

EZM branch units are supplied with meter sockets and provisions for mounting tenant circuit breakers to feed downstream type QO or HOM load centers or type NQOD panelboards. The following table includes standard and optional branch unit features along with tenant circuit breaker types and meter socket configurations.

**125 A and 225 A Ring-Type EZM Residential Branch Units (1Ø OUT)**



**EZM115125**

**EZM113225**

Meter Socket Ring-Type (Quantity)	Four-Jaw Meter Socket 1Ø IN	Five-Jaw Meter Socket 3Ø IN	Circuit Breaker Type (Two-Pole Only)
	Catalog Number	Catalog Number	

**125 A Ring-Type Residential without Bypass**

Three-Position	EZM113125 — EZM113125CUX	EZM313125 EZM313125M10 EZM313125CUX	QO, QO-VH, QOH
Four-Position	EZM114125 — EZM114125CUX	EZM314125 EZM314125M10 EZM314125CUX	QO, QO-VH, QOH
Five-Position	EZM115125 — EZM115125CUX	EZM315125 EZM315125M10 EZM315125CUX	QO, QO-VH, QOH
Six-Position	EZM116125 EZM116125CUX	EZM316125 EZM316125CUX	QO, QO-VH, QOH

**225 A Ring-Type Residential without Bypass**

Two-Position	EZM112225 EZM112225CUX	EZM312225 EZM312225CUX	QB, QD, QG, QJ
Three-Position	EZM113225 EZM113225CUX	EZM313225 EZM313225CUX	QB, QD, QG, QJ
Four-Position	EZM114225 EZM114225CUX	EZM314225 EZM314225CUX	QB, QD, QG, QJ
Five-Position	EZM115225 EZM115225CU	EZM315225 EZM315225CU	QB, QD, QG, QJ

**Ring-Type Residential Meter Socket Compartment Standard Features**

- 1Ø IN, 1Ø OUT branch sections include three horizontal cross bus bars and a four-jaw meter socket.
- 3Ø IN, 1Ø OUT branch sections include four horizontal cross bus bars and a five-jaw meter socket.
  - 120/208 Vac, 1Ø3W (derived from a 208Y/120 Vac, 3Ø4W network). Standard 3Ø IN/1Ø OUT branch units are suitable for use on this system.
  - 120/240 Vac, delta, 1Ø3W (fed from transformer's AØ and CØ only). Connection to high-leg BØ not permitted for use on this system. Standard 3Ø IN/1Ø OUT branch units are not suitable for use on this system. Special branch units are available for this system by adding suffix "CA" to catalog number; for example: EZM313125CA.
- Meter socket jaws are front removable and spring reinforced.
- Meter blade guides are supplied as standard on both line and load side meter socket jaws.
- 200 A continuous duty rated meter socket jaws supplied without bypass.
- Aluminum snap-type sealing ring supplied with each meter socket as standard.



**125 A and 225 A Ring-Type Meter Socket, Four-Jaw without Bypass**



**125 A and 225 A Ring-Type Individual Meter Socket Cover Shown without Sealing Ring**

## EZ Meter-Pak<sup>®</sup> Meter Centers Accessories



125 A Tenant Circuit  
Breaker Base (Two-Pole)



QO2100 Tenant Circuit  
Breaker Installed



225 A Q2M Tenant  
Circuit Breaker Base  
(Two-Pole)



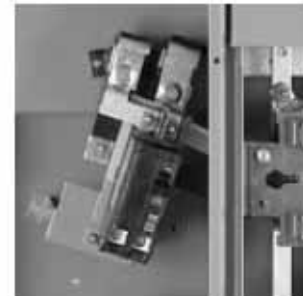
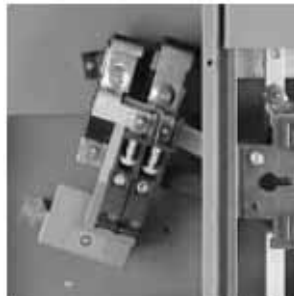
Five-Jaw Kit (5J) Installed at the 9 O'Clock Position



Manual Slider-Type  
Bypass Shown in  
Closed Position with  
Handle Extending  
through Notch in Rim of  
Meter Socket Cover



Manual Slider-Type  
Bypass Shown in Open  
Position with Handle  
Secured by Notch Meter  
Socket Sealing Ring



EZM125QOA Two-Pole Plug-On Adapter Kit for use in  
QB, QD, QG, or QJ Bolt-On Tenant Circuit Breaker Compartments

### 125 A Tenant Circuit Breaker Compartment

- 125 A maximum branch units will accept 40–125 A two-pole plug-on type QO, QO-VH, or QOH circuit breakers (order circuit breakers separately).
- Refer to pages 3 and 4 for meter center available short circuit current ratings with the above tenant circuit breakers installed.

### 225 A Tenant Circuit Breaker Compartment

- 225 A maximum branch units listed in this section will accept 100–225 A two-pole bolt-on type QB, QD, QG, or QJ circuit breakers.
- With the use of plug-on adapter catalog number EZM125QOA, these units will accept 40–125 A two-pole plug-on type QO, and 40–60 A two-pole plug-on type QO-VH and QOH circuit breakers. (Order circuit breakers and adapters separately.)
- Refer to pages 3 and 4 for meter center available short circuit current ratings with the above tenant circuit breakers installed.

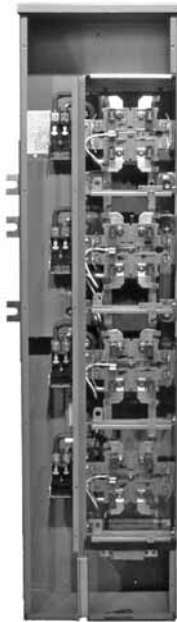
### Optional Ring-Type Residential Meter Socket Features

- Five-jaw kit catalog number 5J (one kit required per meter socket) is available for field installation and can be mounted on the meter socket base assembly at three, six, or nine o'clock positions. Used to convert a four-jaw 125 A or 225 A ring-type branch unit meter socket to a five-jaw meter socket.
- Five-jaw meter sockets are required for a 120/208 Vac, 1Ø3W service derived from a 208Y/120 Vac, 3Ø4W system.
- Manual slider type bypass kit catalog number MM200MB is available for field installation. It includes manual slider-type bypass and replacement individual meter socket cover (cover is notched to allow handle of slider bypass to pass through rim with meter installed). Slider-type bypass is intended for temporary use only (not continuous duty rated). Available short circuit current rating of metering equipment is limited to 10,000 RMS symmetrical amperes with slider-type bypass kits installed.
- Plug-on adapter kit catalog number EZM125QOA available for use in 225 A branch units that use bolt-on type QB, QD, QG, or QJ two-pole tenant circuit breakers. Kit will accept 40–125 A two-pole plug-on type QO, and 40–60 A two-pole plug-on type QO-VH and QOH circuit breakers. (Order circuit breakers and adapters separately.)



# EZ Meter-Pak<sup>®</sup> Meter Centers Accessories

## 125 A and 225 A Ringless-Type EZMR and EZMH Residential Branch Units (1Ø OUT)



EZMH114125



125 A and 225 A Ringless Meter Socket with Horn Bypass



125 A and 225 A Ringless-Type Individual Meter Socket Cover Shown with Stainless Steel Hasp and Latch for use with Utility Seals

Meter Socket Ringless-Type (Qty.)	Five-Jaw Meter Socket 1Ø IN	Five-Jaw Meter Socket 3Ø IN	Circuit Breaker Type (Two-Pole Only)
	Catalog Number	Catalog Number	
<b>125 A Ringless without Bypass</b>			
Three-Position	EZMR113125 EZMR113125CUX	EZMR313125 EZMR313125CUX	QO, QO-VH or QOH
Four-Position	EZMR114125 EZMR114125CUX	EZMR314125 EZMR314125CUX	QO, QO-VH or QOH
Five-Position	EZMR115125 EZMR115125CUX	EZMR315125 EZMR315125CUX	QO, QO-VH or QOH
Six-Position	EZMR116125 EZMR116125CUX	EZMR316125 EZMR316125CUX	QO, QO-VH or QOH
<b>225 A Ringless without Bypass</b>			
Two-Position	EZMR112225 EZMR112225CUX	EZMR312225 EZMR312225CUX	QB, QD, QG or QJ
Three-Position	EZMR113225 EZMR113225CUX	EZMR313225 EZMR313225CUX	QB, QD, QG or QJ
Four-Position	EZMR114225 EZMR114225CUX	EZMR314225 EZMR314225CUX	QB, QD, QG or QJ
Five-Position	EZMR115225 EZMR115225CU	EZMR315225 EZMR315225CU	QB, QD, QG or QJ
<b>125 A Ringless with Horn Bypass</b>			
Three-Position	EZMH113125 EZMH113125CUX	EZMH313125 EZMH313125CUX	QO, QO-VH or QOH
Four-Position	EZMH114125 EZMH114125CUX	EZMH314125 EZMH314125CUX	QO, QO-VH or QOH
Five-Position	EZMH115125 EZMH115125CUX	EZMH315125 EZMH315125CUX	QO, QO-VH or QOH
Six-Position	EZMH116125 EZMH116125CUX	EZMH316125 EZMH316125CUX	QO, QO-VH or QOH
<b>225 A Ringless with Horn Bypass</b>			
Two-Position	EZMH112225 EZMH112225CUX	EZMH312225 EZMH312225CUX	QB, QD, QG or QJ
Three-Position	EZMH113225 EZMH113225CUX	EZMH313225 EZMH313225CUX	QB, QD, QG or QJ
Four-Position	EZMH114225 EZMH114225CUX	EZMH314225 EZMH314225CUX	QB, QD, QG or QJ
Five-Position	EZMH115225 EZMH115225CU	EZMH315225 EZMH315225CU	QB, QD, QG or QJ

### Ringless Residential Meter Socket Compartment Standard Features

- 1Ø IN, 1Ø OUT branch sections (includes three horizontal cross bus bars).  
Five-jaw meter sockets supplied as standard.
- 3Ø IN, 1Ø OUT branch sections (includes four horizontal cross bus bars).  
Five-jaw meter sockets supplied as standard.
  - 120/208 Vac, 1Ø3W (derived from a 208Y/120 Vac, 3Ø4W service).  
Standard 3Ø IN/1Ø OUT branch units are suitable for use on this system.
  - 120/240 Vac, 1Ø3W (fed from transformer's AØ and CØ only).  
Connection to high-leg BØ not permitted for use on this system.  
Standard 3Ø IN/1Ø OUT branch units are available for this system by adding suffix "CA" to catalog number (Examples: EZMR313125CA, EZMH314125CA, EZMR313225CA and EZMH312225CA).



**125 A QO Tenant  
Circuit Breaker Base  
(Two-Pole)**



**QO2100 Tenant  
Circuit Breaker  
Installed**



**225 A Q-Frame Tenant  
Circuit Breaker Base  
(Three-Pole)**



**Ringless-Type Individual  
Meter Socket Cover  
Shown with Barrel Lock  
Head Protector  
(Catalog Number MMBLC)**

**Ringless-Type Individual  
Meter Socket Cover  
Shown through Barrel Lock  
Installed through Cover and  
Lock Bracket  
(Reverse View)**



**Residential Horn Type Bypass Kit Available for  
Use on EZMR Ringless Branch Units, and  
Standard on EZMH Ringless Branch Units**

## General Information:

- Meter socket jaws are removable from the front and spring-reinforced.
- Meter blade guides supplied as standard on both line and load side meter socket jaws.
- 200 A continuous duty rated meter socket jaws supplied with fifth jaw.
- Individual ringless-type meter socket covers are provided with stainless steel hasps that extend through cover, and stainless steel latches for sealing covers to branch unit. The utility meter or closing plate is mounted in meter socket.
- Ringless meter socket covers have provisions to accept utility seals including plastic padlocks, lead and wire seals, and barrel locks to prevent unauthorized access to meter socket compartment.

### 125 A Tenant Circuit Breaker Compartment

- 125 A maximum residential branch units will accept 40–125 A, two-pole, plug-on type QO, QO-VH, or QOH circuit breakers (order circuit breakers separately).
- Refer to pages 3 and 4 for meter center available short circuit current ratings with the above tenant.

### 225 A Tenant Circuit Breaker Compartment

- 225 A maximum branch units listed in this section will accept 100–225 A, two-pole, bolt-on type QB, QD, QG, or QJ circuit breakers.
- Or with the use of plug-on adapter catalog number EZM125QOA, these units will accept 40–125 A, two-pole plug-on type QO, and 40–60 A two-pole plug-on type QO-VH and QOH circuit breakers. (Order circuit breakers and adapters separately.)
- Refer to pages 3 and 4 for meter center available short circuit current ratings with the above tenant circuit breakers installed.

### Optional Ringless Residential Meter Socket Features

- Barrel lock head protector kit, catalog number MMBLC (one kit covers six meter sockets) is available for field-installation.
  - Knockout in individual meter socket cover is provided for barrel lock head protector kit.
  - Secure head protector kit to cover with lock nut supplied.
  - Barrel lock not supplied.
- Horn bypass kit catalog number MMHB (one kit required per meter socket) is available for field-installation.
  - To install horn bypass kit remove one of four 1/4-inch hex nuts from meter socket jaw assemblies and position horn bypass bus bar connector on top of meter jaw. Secure with hex nut and torque to 75 lb-in. (8.5 N•m). Repeat this process for remaining three jaw positions.
  - Horn bypass bus bars are of different shapes, and must be installed as shown (refer to instructions provided with each kit).
  - Horn bypass factory-installed on EZMH device.



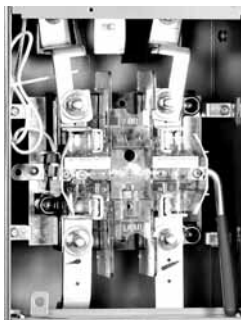
EZMT311225



EZML113225



225 A Ringless-Type Meter Socket, Seven-Jaw with Lever Type Bypass Shown with Lexan Shield over Line and Load Meter Jaws



400 A Ringless-Type Meter Socket, Five-Jaw with Lever Type Bypass Shown with Lexan Shield over Line and Load Meter Jaws

225 A Ring-Type EZMT Commercial Branch Units (1Ø OUT)

Meter Socket Ringless-Type (Qty)	Five-Jaw Meter Socket 1Ø IN	Five-Jaw Meter Socket 3Ø IN	Circuit Breaker Type (Two-Pole Only)
	Catalog Number	Catalog Number	
<b>225 A Ring-Type with Test Block Bypass</b>			
One-Position	EZMT111225	EZMT311225	QB, QD, QG, or QJ
Two-Position	EZMT112225	EZMT312225	QB, QD, QG, or QJ
Three-Position	EZMT113225	EZMT313225	QB, QD, QG, or QJ

NOTE: EZMT devices are supplied with Test Block Bypass, which meets EUSERC requirements.

225 A and 400 A Ringless-Type EZML and EZMK Commercial Branch Units (1Ø OUT)

Meter Socket Ringless-Type (Qty)	Five-Jaw Meter Socket 1Ø IN	Five-Jaw Meter Socket 3Ø IN	Circuit Breaker Type (Two-Pole Only)
	Catalog Number	Catalog Number	
<b>225 A Ringless with Lever Type Bypass and Jaw Release</b>			
One-Position	EZML111225 EZML111225CU EZML111225D	—	QB, QD, QG, or QJ
Two-Position	EZML112225 EZML112225CU EZML112225D	EZML312225 EZML312225CU EZML312225D	QB, QD, QG, or QJ
Three-Position	EZML113225 EZML113225CU EZML113225D	EZML313225 EZML313225CU EZML313225D	QB, QD, QG, or QJ
Four-Position	EZML114225 EZML114225CU EZML114225D	EZML314225 EZML314225CU EZML314225D	QB, QD, QG, or QJ
<b>400 A Ringless with Lever Type Bypass and Jaw Release</b>			
One-Position	EZML111400	EZML311400	DJM36400E20 <sup>1</sup>
Two-Position	EZML112400	EZML312400	DJM36400E20 <sup>1</sup>
<b>400 A Ringless Type K Bolt-On with Manual Bypass</b>			
One-Position	EZMK111400 <sup>2</sup>	EZMK311400	DJM36400E20 <sup>1</sup>
Two-Position	EZMK112400 <sup>2</sup>	EZMK312400	DJM36400E20 <sup>1</sup>

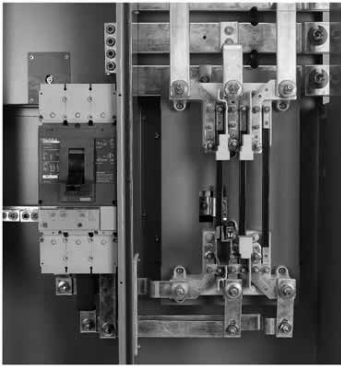
<sup>1</sup> Factory-installed.

<sup>2</sup> Contains one four-jaw meter socket.

Ringless Commercial Meter Socket Compartment Standard Features

- 1Ø IN, 1Ø OUT branch units (include three horizontal cross bus bars). Five-jaw meter sockets supplied as standard. Not available in 400 A branch unit.
- 3Ø IN, 1Ø OUT branch units (include four horizontal cross bus bars). Five-jaw meter sockets supplied as standard.
  - 120/208 Vac, 1Ø3W (derived from a 208Y/120 Vac, 3Ø4W service). Standard 3Ø IN/1Ø OUT branch units are suitable for use on this system.
  - 120/240 Vac, 1Ø3W (fed from transformer's AØ and CØ only). Connection to high-leg BØ not permitted for use on this system. Standard 3Ø IN/1Ø OUT branch units are not suitable for use on this Delta system. Special branch units are available for this system by adding suffix: "CA" to catalog number (Examples: EZML313125CA and EZML312400CA).
- 320 A continuous duty rated meter sockets supplied with lever bypass.
- Lever bypass meter sockets are supplied with jaw release.

## EZ Meter-Pak<sup>®</sup> Meter Centers

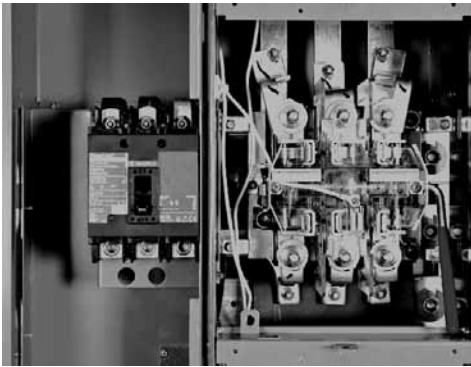


400 A EZMK Bolt-On Meter Socket

- Lever bypass meter sockets are supplied with a Lexan shield as an integral part of the meter socket assembly and used as a guide to assist mounting of utility meter.
- Ringless type K bolt-on meter sockets have a four-jaw socket and only accept a bolt-on watt-hour meter.
- Type K bolt-on meter sockets are supplied with a manual bypass.
- Individual ringless-type meter socket covers are supplied with a stainless steel hasp that extends through cover and stainless steel latches for sealing covers to branch unit while utility meter or closing plate is mounted in meter socket.
- Ringless meter socket covers have provisions to accept utility seals including plastic padlocks, lead and wire seals, padlocks, and barrel locks to prevent unauthorized access to meter socket compartment.

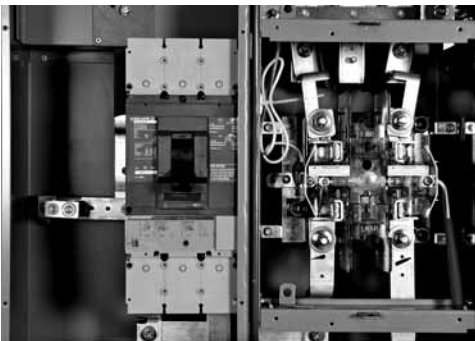
### 225 A Tenant Circuit Breaker Compartment

225 A maximum commercial branch units accept 70–225 A, two-pole, bolt-on type QB, QD, QG, or QJ circuit breakers (order circuit breakers separately). Refer to pages 3 and 4 for meter center available short circuit current ratings.



### 400 A Tenant Circuit Breaker Compartment

- DJM36400E20 circuit breakers are factory-installed into 400 A maximum commercial branch units. Refer to pages 3 and 4 for meter center available short circuit current ratings.
- DJM circuit breaker has adjustable trip settings from 160–400 A for field adjustment.



### Optional Ringless Commercial Meter Socket Features

Barrel lock head protector kit, catalog number MMBLC (one kit covers six meter sockets) is available for field-installation.

- DJM circuit breaker seal kit, catalog number 29375, is available for field-installation.
- Knockout in individual meter socket cover is provided for barrel lock head protector kit.
- Secure head protector kit to cover with lock nut provided.
- Barrel lock not provided.



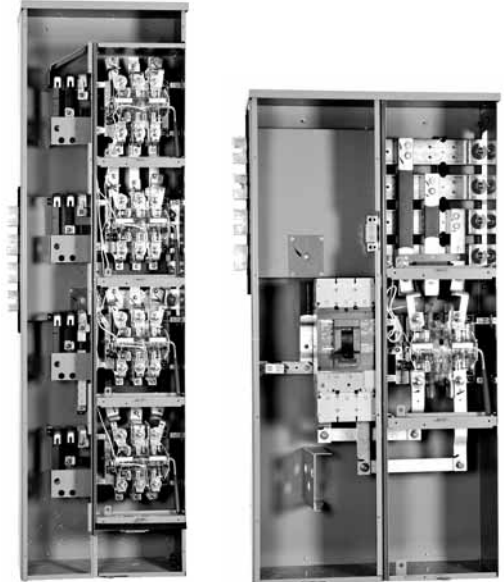
Ringless-Type Individual Meter Socket Cover Shown with Barrel Lock Head Protector (Catalog Number MMBLC)



Ringless-Type Individual Meter Socket Cover Shown with Barrel Lock Installed through Cover and Lock Bracket (Reverse View)

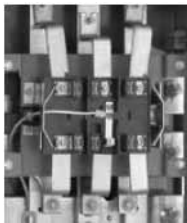


EZMT311225



EZML334225

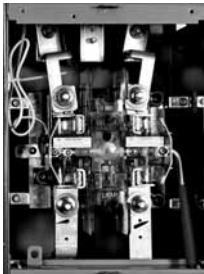
EZML311400



225 A Ringless-Type Meter Socket, Seven-Jaw without Bypass Shown with Line and Load Side Blade Guides



225 A Ringless-Type Individual Meter Socket Cover Shown with Stainless Steel Hasp and Latch for Use with Utility Seals



400 A Ringless-Type Meter Socket, Five-Jaw with Lever Type Bypass Shown with Lexan Shield over Line and Load Meter Jaws



400 A Ringless-Type Individual Meter Socket Cover

## Ring-Type Commercial Meter Socket Compartment Standard Features

- 3Ø IN, 3Ø OUT branch units (include four horizontal cross bus bars). Seven-jaw meter sockets supplied as standard.
- EZMT meter sockets are supplied with Test Block Bypass.
- EZMT branch devices are bondable to meet EUSERC specifications.

### 225 A Ring-Type EZMT Commercial Branch Units (3Ø OUT)

Meter Socket Ringless-Type (Qty)	Seven-Jaw Meter Socket 3Ø IN	Circuit Breaker Type (Three-Pole Only)
	Catalog Number	
<b>225 A Ring Type with Test Block Bypass</b>		
One-Position	EZMT331225	QB, QD, QG, or QJ
Two-Position	EZMT332225	QB, QD, QG, or QJ
Three-Position	EZMT333225	QB, QD, QG, or QJ

### 225 A and 400 A Ringless-Type Commercial Branch Units (3Ø OUT)

Meter Socket Ringless-Type (Qty)	Seven-Jaw Meter Socket 3Ø IN	Circuit Breaker Type (Three-Pole Only)
	Catalog Number	
<b>225 A Ringless without Bypass</b>		
Two-Position	EZMR332225	QB, QD, QG, or QJ
	EZMR332225CU	
Three-Position	EZMR333225	QB, QD, QG, or QJ
	EZMR333225CU	
Four-Position	EZMR334225	QB, QD, QG, or QJ
	EZMR334225CU	
<b>225 A Ringless with Lever Type Bypass and Jaw Release</b>		
One-Position	EZML331225	QB, QD, QG, or QJ
	EZML331225CU	
	EZML331225D	
Two-Position	EZML332325	QB, QD, QG, or QJ
	EZML332225CU	
	EZML332225D	
Three-Position	EZML333225	QB, QD, QG, or QJ
	EZML333225CU	
	EZML333225D	
Four-Position	EZML334225	QB, QD, QG, or QJ
	EZML334225CU	
	EZML334225D	
<b>400 A Ringless with Lever Type Bypass and Jaw Release</b>		
One-Position	EZML331400	DJM36400E20 <sup>1</sup>
Two-Position	EZML332400	DJM36400E20 <sup>1</sup>
<b>400 A Ringless Type K with Manual Bypass Provision</b>		
One-Position	EZMK331400	DJM36400E20 <sup>1</sup>
Two-Position	EZMK332400	DJM36400E20 <sup>1</sup>

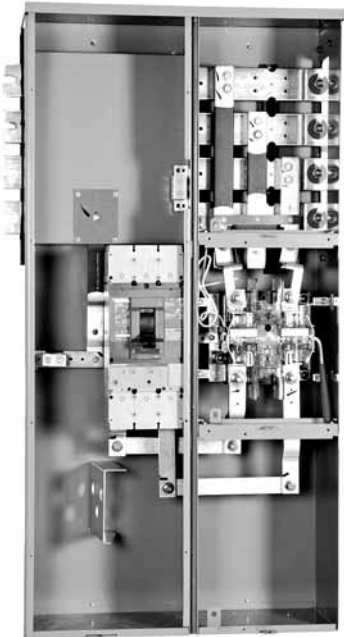
<sup>1</sup> Factory-installed.

## Ringless Commercial Meter Socket Compartment Standard Features

- 3Ø IN, 3Ø OUT branch units (include four horizontal cross bus bars). Seven-jaw meter sockets supplied as standard.
- 320 A continuous duty rated meter sockets are supplied with lever-type bypass.
- Lever-type bypass meter socket is supplied with jaw release.
- Lexan shield supplied as an integral part of meter socket assembly and used as a guide to assist mounting of utility meter.
- Individual ringless-type meter socket covers are supplied with stainless steel hasps that extend through cover and stainless steel latches for sealing covers to branch unit while utility meter or closing plate is mounted in meter socket.
- Ringless meter socket covers have provisions to accept utility seals including plastic padlocks, lead and wire seals, and barrel locks to prevent unauthorized access to meter socket compartment.
- 400 A continuous duty rated meter sockets are supplied with a K-base bolt-on.
- 400 A K-base bolt-on are supplied with manual bypass provision.



**Q-Frame Circuit Breaker Installed**



**DJM Circuit Breaker Installed**

**225 A Tenant Circuit Breaker Compartment**

225 A maximum commercial branch units will accept 70–225 A three-pole bolt-on type QB, QD, QG, or QJ circuit breakers. (Order circuit breakers separately.) Refer to pages 3 and 4 for meter center available short circuit current ratings.

**400 A Tenant Circuit Breaker Compartment**

- DJM36400E20 circuit breakers are factory-installed into 400 A maximum commercial branch units. Refer to pages 3 and 4 for meter center available short circuit current ratings.
- DJM circuit breaker has adjustable trip settings from 160–400 A.

**Optional Ringless Commercial Meter Socket Features**

Barrel lock head protector kit, catalog number MMBLC, (one kit covers six meter sockets), is available for field-installation.

- Knockout in individual meter socket cover is provided for barrel lock head protector kit.
- Secure head protector kit to cover with lock nut, provided.
- Barrel lock not provided.

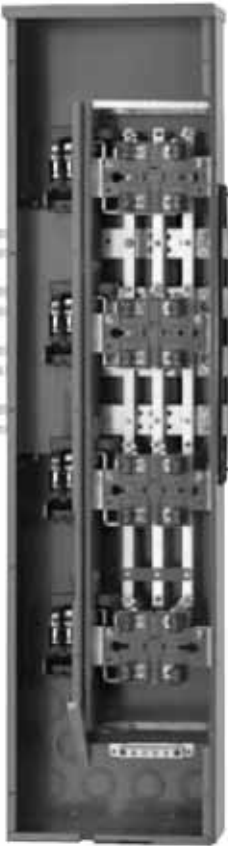


**Ringless-Type Individual Meter Socket Cover Shown with Barrel Lock Head Protector (Catalog Number MMBLC)**

**Ringless-Type Individual Meter Socket Cover Shown with Barrel Lock Installed through Cover and Lock Bracket (Reverse View)**

## Factory Phase Balancing

Branch unit meter sockets are phase balanced at the factory according to the following table:

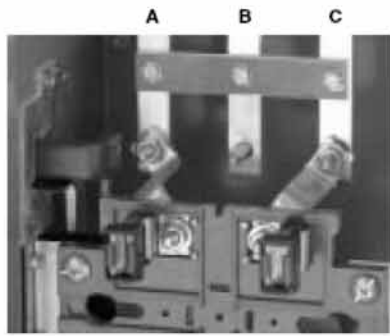


EZM314125

Meter Socket (Quantity)	Catalog Number	AØ—BØ (Quantity)	AØ—CØ (Quantity)	BØ—CØ (Quantity)
<b>125 A Branch Units (used on 120/208 Vac, 1Ø3W service derived from a 208Y/120 Vac, 3Ø4W system)</b>				
Three-Position	EZM313125	1	1	1
Four-Position	EZM314125	1	2	1
Five-Position	EZM315125	2	1	2
Six-Position	EZM316125	2	2	2
Three-Position	EZMR313125	1	1	1
Four-Position	EZMR314125	1	2	1
Five-Position	EZMR315125	2	1	2
Six-Position	EZMR316125	2	2	2
Three-Position	EZMH313125	1	1	1
Four-Position	EZMH314125	1	2	1
Five-Position	EZMH315125	2	1	2
Six-Position	EZMH316125	2	2	2
<b>225 A Branch Units (used on 120/208 Vac, 1Ø3W service derived from a 208Y/120 Vac, 3Ø4W system)</b>				
Two-Position	EZM312225	1	0	1
Three-Position	EZM313225	1	1	1
Four-Position	EZM314225	1	2	1
Two-Position	EZMR312225	1	0	1
Three-Position	EZMR313225	1	1	1
Four-Position	EZMR314225	1	2	1
Two-Position	EZMH312225	1	0	1
Three-Position	EZMH313225	1	1	1
Four-Position	EZMH314225	1	2	1
Two-Position	EZML312225	1	0	1
Three-Position	EZML313225	1	1	1
Four-Position	EZML314225	1	2	1
<b>400 A Branch Units (used on 120/208 Vac, 1Ø3W service derived from a 208Y/120 Vac, 3Ø4W system)</b>				
One-Position	EZML311400	0	1	0
Two-Position	EZML312400	1	0	1

**NOTE:** Refer to page 27 for branch units in the field.

# EZ Meter-Pak<sup>®</sup> Meter Centers Factory Phase Balancing



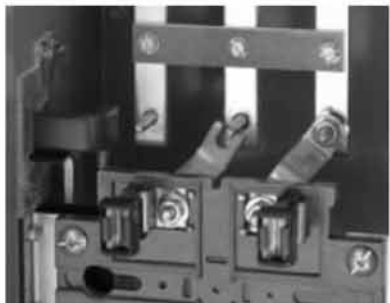
**STARTING POSITION**  
Meter Socket Phasing: A $\phi$  and C $\phi$



**Step 1:** Remove hex nut from A $\phi$  line side connection to vertical bus.



**Step 2:** Loosen hex nut from A $\phi$  line side meter socket jaw and slide "Z" connector down to free connector from stud.



**Step 3:** Rotate "Z" connector to right and align with stud on B $\phi$  vertical bus.

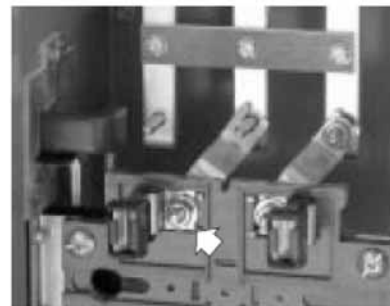
## Phase Balancing Flexibility

The major benefit of factory phase balancing is that most jobs will not require field phase balancing. To see if meter socket phase balancing in the field is required (refer to wiring diagram for complete instructions):

- A. Determine if the load in amperes on each phase of the transformer using handle rating of tenant circuit breakers installed at each number of meter sockets. Use Phase Balancing Chart to determine total number of connections each meter socket makes on each phase of transformer.
- B. If phase balancing is required, determine which meter sockets should be changed to properly phase balance metering equipment lineup.
- C. Once meter socket(s) is selected to be phase balanced, remove individual meter socket cover from each meter socket to be phase balanced. The vertical bus bars running top to bottom in the branch unit behind each meter socket are phased: A $\phi$ , B $\phi$ , C $\phi$ , left to right.
- D. By moving only the line side meter socket "Z" shaped connectors per meter socket to be changed, phase balancing can easily be accomplished on-site:

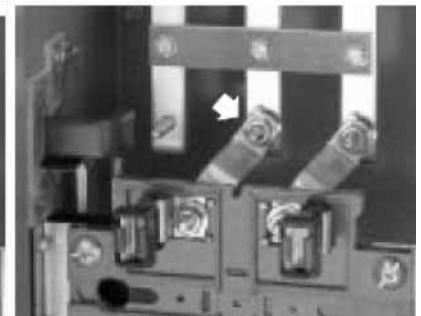
Starting Position		Possible Ending Position (by moving only one "Z" connector)
A $\phi$ and B $\phi$	can be changed to	A $\phi$ and C $\phi$
A $\phi$ and C $\phi$	can be changed to	A $\phi$ and B $\phi$ or B $\phi$ and C $\phi$
B $\phi$ and C $\phi$	can be changed to	A $\phi$ and C $\phi$

To change an A $\phi$  and C $\phi$  meter socket to a B $\phi$  and C $\phi$  meter socket:



**Step 4:** Slide "Z" connector up to engage stud on B $\phi$  vertical bus.

**Step 5:** Torque hex nut of meter socket jaw to 75 lb-in (8 N·m).



**Step 6:** Replace hex nut (removed in step one) onto stud of B $\phi$  vertical bus and torque to 75 lb-in (8 N·m).

Phase balancing of meter socket is complete: B $\phi$  and C $\phi$ .



# EZ Meter-Pak<sup>®</sup> Meter Centers

## EZM Main Device Types and Configurations

### EZM Main Device Types and Configurations

EZM main devices are available as main circuit breakers, main fusible switches, or main lug terminal boxes; for use in single-phase or three-phase applications. An EZM main device is required upstream from EZM branch units even in the case of the NEC six Disconnect rule. EZM main devices ending in “-CB”, “-FS”, or “-TB” are configured for overhead (top feed) or underground (bottom feed) service, and are supplied with lugs. EZM main devices ending in “-CBU”, “-FSU”, or “-TBU” are configured for underground (bottom feed) service only, and are equipped with lug landing pads (lugs must be ordered separately).

#### Circuit Breaker Main Devices (Fed from Overhead or Underground Service)

Service Type	Ampere Rating	Catalog Number	Circuit Breaker <sup>1</sup>	Line Phase Terminal Wire Range (AWG-kcmil, Al/Cu)	Line Neutral Terminal Wire Range (AWG-kcmil, Al/Cu)	Service Grounding Terminal Wire Range (AWG-kcmil, Al/Cu)
<b>1Ø IN Circuit Breaker Main Devices (Fed from Overhead or Underground Service)</b>						
1Ø3W, 120/240 Vac	400	EZM1400CB	LHP26400 <sup>2</sup>	(1) 1/0–600 or (2) 1/0–250 <sup>3</sup>	(1) 1/0–600 or (2) 1/0–250 <sup>4</sup>	(1) 6–300
	600	EZM1600CB	MHP26600 <sup>2</sup>	(3) 3/0–500 <sup>3</sup>	(4) 3/0–500 <sup>5</sup>	(1) 6–300
	800	EZM1800CB	MHP26800 <sup>2</sup>	(3) 3/0–500 <sup>3</sup>	(4) 3/0–500 <sup>5</sup>	(1) 6–300
	1000	EZM11000CB	MHP261000 <sup>2</sup>	(3) 3/0–500 <sup>3</sup>	(4) 3/0–500 <sup>5</sup>	(1) 6–300
	1200	EZM11200CB	PAF2026 with PA21200RC	(4) 1/0–750 or (8) 1/0–250	(4) 1/0–750 or (8) 1/0–250	(1) 6–300
	1600	EZM11600CB	PAF2026 with PA21600RC	(6) 1/0–750 or (12) 1/0–250	(6) 1/0–750 or (12) 1/0–250	(1) 6–300
	2000	EZM12000CB	RJF26200	(6) 1/0–750 or (12) 1/0–250	(6) 1/0–750 or (12) 1/0–250	(1) 6–300
<b>3Ø IN Circuit Breaker Main Devices (Fed from Overhead or Underground Service)</b>						
3Ø4W, 208Y/120 Vac or 240/120 Vac Delta	400	EZM3400CB	LHP36400 <sup>2</sup>	(1) 1/0–600 or (2) 1/0–250 <sup>3</sup>	(1) 1/0–600 or (2) 1/0–250 <sup>4</sup>	(1) 6–300
	600	EZM3600CB	MHP36600 <sup>2</sup>	(3) 3/0–500 <sup>3</sup>	(4) 3/0–500 <sup>5</sup>	(1) 6–300
	800	EZM3800CB	MHP36800 <sup>2</sup>	(3) 3/0–500 <sup>3</sup>	(4) 3/0–500 <sup>5</sup>	(1) 6–300
	1000	EZM31000CB	MHP361000 <sup>2</sup>	(3) 3/0–500 <sup>3</sup>	(4) 3/0–500 <sup>5</sup>	(1) 6–300
	1200	EZM31200CB	PAF2036 with PA31200RC	(4) 1/0–750 or (8) 1/0–250	(4) 1/0–750 or (8) 1/0–250	(1) 6–300
	1600	EZM31600CB	PAF2036 with PA31600RC	(6) 1/0–750 or (12) 1/0–250	(6) 1/0–750 or (12) 1/0–250	(1) 6–300
	2000	EZM32000CB	RJF36200	(6) 1/0–750 or (12) 1/0–250	(6) 1/0–750 or (12) 1/0–250	(1) 6–300

- <sup>1</sup> Supplied factory-installed.
- <sup>2</sup> Handle extension available, order kit AHXL. Handle is hinged, allowing it to be tucked under door on cover.
- <sup>3</sup> Alternate lug kits are available for use on line side of circuit breaker (refer to most current Digest).
- <sup>4</sup> Alternate neutral lug available, order one MMLK500 for use of two 3/0 AWG–500 kcmil Al/Cu (includes three two-barrel lugs). Neutral will accommodate one two-barrel lug only.
- <sup>5</sup> Alternate neutral lugs available, order one MMLK250 for use of one 1/0 AWG–600 kcmil Al/Cu or two 1/0 AWG–250 kcmil Al/Cu (includes three two-barrel lugs). Neutral will accommodate two two-barrel lugs only.



EZM1800CB



EZM31600CB



EZM32000CB

# EZ Meter-Pak<sup>®</sup> Meter Centers

## EZM Main Device Types and Configurations



EZM1800CBU



EZM1800CBU



EZM3200CBU

### Circuit Breaker Main Devices (Fed from Underground Service Only)

Service Type	Ampere Rating	Catalog Number	Circuit Breaker <sup>1</sup>	Line Phase and Neutral Lug Landing Pads provided for use with Crimp-Type Lugs (Two-Hole Mounting) Quantity of Lugs permitted per Pad	Service Grounding Terminal Wire Range (AWG-kcmil, Al/Cu)
<b>1Ø IN Circuit Breaker Main Devices (Fed from Underground Service Only)</b>					
1Ø3W, 120/240 Vac	400	EZM1400CBU <sup>2</sup>	LHF26400 <sup>3</sup>	1 <sup>4</sup>	(1) 6–300
	600	EZM1600CBU <sup>2</sup>	MHF26600 <sup>3</sup>	2 <sup>4</sup>	(1) 6–300
	800	EZM1800CBU <sup>2</sup>	MHF26800 <sup>3</sup>	2 <sup>4</sup>	(1) 6–300
	1000	EZM11000CBU <sup>2</sup>	MHF221000 <sup>3</sup>	3 <sup>4</sup>	(1) 6–300
	1200	EZM11200CBU <sup>2</sup>	MHF221200 <sup>3</sup>	3 <sup>4</sup>	(1) 6–300
	1600	EZM11600CBU <sup>5</sup>	PA2026 with PA21600RC	6 <sup>4</sup>	(1) 6–300
	2000	EZM12000CBU <sup>5</sup>	RJF26200	(6) 1/0–750 or (12) 1/0–250	(1) 6–300
<b>3Ø IN Circuit Breaker Main Devices (Fed from Underground Service Only)</b>					
3Ø4W, 208Y/120 Vac or 240/120 Vac Delta	400	EZM3400CBU <sup>2</sup>	LHF36400 <sup>3</sup>	1 <sup>4</sup>	(1) 6–300
	600	EZM3600CBU <sup>2</sup>	MHF36600 <sup>3</sup>	2 <sup>4</sup>	(1) 6–300
	800	EZM3800CBU <sup>2</sup>	MHF36800 <sup>3</sup>	2 <sup>4</sup>	(1) 6–300
	1000	EZM31000CBU <sup>2</sup>	MHF321000 <sup>3</sup>	3 <sup>4</sup>	(1) 6–300
	1200	EZM31200CBU <sup>2</sup>	MHF321200 <sup>3</sup>	3 <sup>4</sup>	(1) 6–300
	1600	EZM31600CBU <sup>5</sup>	PAF2036 with PA31600RC	6 <sup>4</sup>	(1) 6–300
	2000	EZM32000CBU <sup>5</sup>	RJF36200	(6) 1/0–750 or (12) 1/0–250	(1) 6–300

- <sup>1</sup> Supplied factory-installed.
- <sup>2</sup> Meets Electrical Utility Service Equipment Requirements Committee (EUSERC) Standards for West Coast based utilities.
- <sup>3</sup> Handle extension available, order kit AHXL1. Handle is hinged, allowing it to be tucked under door on cover.
- <sup>4</sup> Order lugs separately.
- <sup>5</sup> Does not meet EUSERC Standards.

### Grounding Provisions

#### Service Grounding

- Each main device is equipped with a service grounding lug and provisions to bond the neutral to the enclosure when required.
- EZM main devices are suitable for use as service equipment.



Grounding Lug and Isolated Main Neutral Bus as Installed at Factory on Main Devices



Service Grounding Lug, Bonding Strap, and Bonded Main Neutral Bus as installed on Main Devices at Job Site as Required for use as Service Equipment

## EZ Meter-Pak<sup>®</sup> Meter Centers EZM Main Device Types and Configurations

### Fusible Switch Main Devices (Fed from Overhead or Underground Service)



**EZM3800FS**

Service Type	Ampere Rating	Catalog Numbers <sup>1</sup>	Molded Case Switch <sup>2</sup>	Line Phase Terminal Wire Range (AWG-kcmil, Al/Cu)	Line Neutral Terminal Wire Range (AWG-kcmil, Al/Cu)	Service Grounding Terminal Wire Range (AWG-kcmil, Al/Cu)
--------------	---------------	------------------------------	---------------------------------	---	---	--

#### 1Ø IN Fusible Switch Main Devices (Fed from Overhead or Underground Service)

1Ø3W, 120/240 Vac	400	EZM1400FS	LHP26000M <sup>3</sup>	(1) 1/0-600 or (2) 1/0-250 <sup>4</sup>	(1) 1/0-600 or (2) 1/0-250 <sup>5</sup>	(1) 6-300
	600	EZM1600FS	MHP260006M <sup>3</sup>	(3) 3/0-500 <sup>4</sup>	(4) 3/0-500 <sup>6</sup>	(1) 6-300
	800	EZM1800FS	MHP260008M <sup>3</sup>	(3) 3/0-500 <sup>4</sup>	(4) 3/0-500 <sup>6</sup>	(1) 6-300
	1200	EZM11200FS	PHF260000M	(4) 1/0-750 or (8) 1/0-250	(4) 1/0-750 or (8) 1/0-250	(1) 6-300

#### 3Ø IN Fusible Switch Main Devices (Fed from Overhead or Underground Service)

3Ø4W, 208Y/120 Vac or 240/120 Vac Delta	400	EZM3400FS	LHP36000M <sup>3</sup>	(1) 1/0-600 or (2) 1/0-250 <sup>4</sup>	(1) 1/0-600 or (2) 1/0-250 <sup>5</sup>	(1) 6-300
	600	EZM3600FS	MHP360006M <sup>3</sup>	(3) 3/0-500 <sup>4</sup>	(4) 3/0-500 <sup>6</sup>	(1) 6-300
	800	EZM3800FS	MHP360008M <sup>3</sup>	(3) 3/0-500 <sup>4</sup>	(4) 3/0-500 <sup>6</sup>	(1) 6-300

<sup>1</sup> Fuses not included. Order 300 V Class T fuses.

<sup>2</sup> Supplied factory-installed.

<sup>3</sup> Handle extension available, order kit AHXL. Handle is hinged, allowing it to be tucked under door on cover.

<sup>4</sup> Alternate lug kits are available for use on line side of molded case switch (refer to most current Digest).

<sup>5</sup> Alternate neutral lug available, order one MMLK500 for use of two 3/0 AWG-500 kcmil Al/Cu (includes three two-barrel lugs). Neutral will accommodate one two-barrel lug only.

<sup>6</sup> Alternate neutral lugs available, order one MMLK250 for use on 1/0 AWG-600 kcmil Al/Cu or two 1/0 AWG-250 kcmil Al/Cu (includes three two-barrel lugs). Neutral will accommodate two two-barrel lugs only.



**EZM3800FS**

### Fusible Switch Main Devices (Fed from Underground Service Only)

Service Type	Ampere Rating	Catalog Numbers <sup>1</sup>	Molded Case Switch <sup>2</sup>	Line Phase and Neutral Lug Landing Pads provided for use with Crimp-Type Lugs (Two-Hole Mounting) Quantity of Lugs Permitted per Pad	Service Grounding Terminal Wire Range (AWG-kcmil, Al/Cu)
--------------	---------------	------------------------------	---------------------------------	--	--

#### 1Ø IN Fusible Switch Main Devices (Fed from Underground Service Only)

1Ø3W, 120/240 Vac	400	EZM1400FSU <sup>3</sup>	LHF26000M <sup>4</sup>	1 <sup>5</sup>	(1) 6-300
	600	EZM1600FSU <sup>3</sup>	MHF260006M <sup>4</sup>	2 <sup>5</sup>	(1) 6-300
	800	EZM1800FSU <sup>3</sup>	MHF260008M <sup>4</sup>	2 <sup>5</sup>	(1) 6-300
	1200	EZM11200FSU <sup>3</sup>	PHF260000M	3 <sup>5</sup>	(1) 6-300

#### 3Ø IN Fusible Switch Main Devices (Fed from Underground Service Only)

3Ø4W, 208Y/120 Vac or 240/120 Vac Delta	400	EZM3400FSU <sup>3</sup>	LHF36000M <sup>4</sup>	1 <sup>5</sup>	(1) 6-300
	600	EZM3600FSU <sup>3</sup>	MHF360006M <sup>4</sup>	2 <sup>5</sup>	(1) 6-300
	800	EZM3800FSU <sup>3</sup>	MHF360008M <sup>4</sup>	2 <sup>5</sup>	(1) 6-300

<sup>1</sup> Fuses not included. Order 300 V Class T fuses.

<sup>2</sup> Supplied factory-installed.

<sup>3</sup> Meets Electrical Utility Service Equipment Requirements Committee (EUSERC) Standards for West Coast based utilities.

<sup>4</sup> Handle extension available, order kit AHXL. Handle is hinged, allowing it to be tucked under door on cover.

<sup>5</sup> Order lugs separately.

# EZ Meter-Pak<sup>®</sup> Meter Centers

## EZM Main Device Types and Configurations



EZM1800TB



EZM1800TB



EZM32000TB

### Main Lugs Terminal Boxes (Fed from Overhead or Underground Service)

Service Type	Ampere Rating	Catalog Number	Line Phase Neutral Terminal Wire Range (AWG-kcmil, Al/Cu)	Service Ground Terminal Wire Range (AWG-kcmil, Al/Cu)
<b>1Ø IN Main Lugs Terminal Boxes (Fed from Overhead or Underground Service)</b>				
1Ø3W, 120/240 Vac	225	EZM1225TB	(1) 4–300	(1) 6–300
	400	EZM1400TB	(2) 3/0–500 <sup>1</sup>	(1) 6–300
	600	EZM1600TB	(2) 1/0–750 or (4) 1/0–300	(1) 6–300
	800	EZM1800TB and EZM1800TBCU	(4) 3/0–500 <sup>2</sup>	(1) 6–300
	1600	EZM11600TB	(6) 1/0–600 or (12) 1/0–300	(1) 6–300
	2000	EZM12000TB	(6) <sup>3</sup>	(1) 6–300
<b>3Ø IN Main Lugs Terminal Boxes (Fed from Overhead or Underground Service)</b>				
3Ø4W, 208Y/120 Vac or 240/120 Vac Delta	225	EZM3225TB	(1) 4–300	(1) 6–2/0
	400	EZM3400TB	(2) 3/0–500 <sup>1</sup>	(1) 6–300
	600	EZM3600TB	(2) 1/0–750 or (4) 1/0–300	(1) 6–300
	800	EZM3800TB	(4) 3/0–500 <sup>2</sup>	(1) 6–300
	1600	EZM31600TB	(6) 2–600	(1) 6–300
	2000	EZM32000TB	(6) <sup>3</sup>	(1) 6–300

- <sup>1</sup> Alternate lug kits available with the use of lug landing kit EZMSK2.
- <sup>2</sup> Alternate lug kit available, order MMLK250 kits for two 1/0 AWG–600 kcmil or four 1/0 AWG–250 kcmil Al/Cu (each kit includes three two-barrel lugs) each bus bar will accept two two-barrel lugs. For 1Ø applications, order two kits. For 3Ø applications, order three kits.
- <sup>3</sup> Order lugs separately. Device provided with 6 lug landing pads per phase and neutral for use with mechanical or crimp type lugs.

### Main Lugs Terminal Boxes (Fed from Underground Service)

Service Type	Ampere Rating	Catalog Number <sup>1 2 3</sup>	Line Phase and Neutral Lug Landing Pads provided for use with Crimp-type Lugs (Two-hole Mounting) Quantity of Lugs Permitted per Pad	Service Ground Terminal Wire Range (AWG-kcmil, Al/Cu)
<b>1Ø IN Main Lugs Terminal Boxes (Fed from Underground Service Only)</b>				
1Ø3W, 120/240 Vac	400	EZM1400TBU	1 (order lugs separately)	(1) 6–300
	800	EZM1800TBU	2 (order lugs separately)	(1) 6–300
	1200	EZM11200TBU <sup>4</sup>	3 (order lugs separately)	(1) 6–300
<b>3Ø IN Main Lugs Terminal Boxes (Fed from Underground Service Only)</b>				
3Ø4W, 208Y/120 Vac or 240/120 Vac Delta	400	EZM3400TBU	1 (order lugs separately)	(1) 6–300
	800	EZM3800TBU	2 (order lugs separately)	(1) 6–300
	1200	EZM31200TBU <sup>4</sup>	3 (order lugs separately)	(1) 6–300

- <sup>1</sup> For mechanical lugs (3/0 AWG–600 kcmil) order kit CMELK4, kit includes four lugs only; multiple kits may be required.
- <sup>2</sup> Meets Electrical Utility Service Equipment Requirements Committee (EUSERC) Standards for West-coast based utilities.
- <sup>3</sup> Tap box is suitable for use on Line or Load side of service equipment. Supplied with isolated neutral and provided with neutral bonding kit for use as required.
- <sup>4</sup> Supplied with copper horizontal bus bars and aluminum vertical bus bars.

# EZ Meter-Pak<sup>®</sup> Meter Centers

## EZM Main Device Types and Configurations

### EZM Main Device Standard and Alternate Lugs

Catalog Number	Standard Lugs (Factory-Installed)		Alternate Lugs by Manufacturer, Catalog Number, Wire Range AWG-kcmil, Crimping Tool, and Quantity Per Line Side Phase and Neutral (Order Lugs Separately)												
			ANDERSON					ILSCO				CMC			
	Line Side Phase Terminals	Line Side Neutral Terminals	VHCL-600-12BN	VHCL-750-12BN	VACL-1000-12BN	LID2-600	LID2-800	2ACL-600	TA-600-2N <sup>1</sup>	TA-800-2N	AU-600-2N (Two-Barrel)	A1B2-600-2	2AB2-600 (Two-Barrel)	L1D2-600	L1D2-800
			250-600 Cu	500-750 Cu	750-1000 Al	2-600 Al/Cu	300-800 Al/Cu	250-600 Al/Cu	2-600 Al/Cu	300-800 Al/Cu	(2) 2-600 Al/Cu	(2) 2-600 Al/Cu	2-600 Al/Cu	(2) 2-600 Al/Cu	300-800 Al/Cu
VC-6	VC-7	VC-8	Mechanical		IDT-12	Mechanical		Mechanical		Mechanical		Mechanical			
EZM1400CB <sup>2,3</sup>	(1) AL400LA	(1) MMLK250	—	—	—	—	—	—	—	—	—	—	—	—	
EZM1600CB <sup>2,4</sup>	(1) AL900MA	(2) MMLK500	—	—	—	—	—	—	—	—	—	—	—	—	
EZM1800CB <sup>2,4</sup>	(1) AL900MA	(2) MMLK500	—	—	—	—	—	—	—	—	—	—	—	—	
EZM11000CB <sup>2,4</sup>	(1) AL900MA	(2) MMLK500	—	—	—	—	—	—	—	—	—	—	—	—	
EZM11200CB <sup>5</sup>	(4) 40251-136-50	(4) 40251-136-50	4	4	—	4	—	—	4	—	2	4	2	—	
EZM11600CB <sup>5</sup>	(6) 40251-136-50	(6) 40251-136-50	6	6	—	6	—	—	6	—	3	6	3	—	
EZM12000CB <sup>5</sup>	(6) 40251-136-50	(6) 40251-136-50	6	6	—	—	—	—	—	—	—	—	—	—	
EZM3400CB <sup>2,3</sup>	(1) AL400LA	(1) MMLK250	—	—	—	—	—	—	—	—	—	—	—	—	
EZM3600CB <sup>2,4</sup>	(1) AL900MA	(2) MMLK500	—	—	—	—	—	—	—	—	—	—	—	—	
EZM3800CB <sup>2,4</sup>	(1) AL900MA	(2) MMLK500	—	—	—	—	—	—	—	—	—	—	—	—	
EZM31000CB <sup>2,4</sup>	(1) AL900MA	(2) MMLK500	—	—	—	—	—	—	—	—	—	—	—	—	
EZM31200CB <sup>5</sup>	(4) 40251-136-50	(4) 40251-136-50	4	4	—	4	—	—	4	—	2	4	2	—	
EZM31600CB <sup>5</sup>	(6) 40251-136-50	(6) 40251-136-50	6	6	—	6	—	—	6	—	3	6	3	—	
EZM32000CB <sup>5</sup>	(6) 40251-136-50	(6) 40251-136-50	6	6	—	—	—	—	6	—	—	—	—	—	
EZM1400CBU	Studs (1 lug)	Studs (1 lug)	1	1	1	1	—	—	1	—	1	1	1	—	
EZM1600CBU	Studs (2 lugs)	Studs (2 lugs)	2	2	—	2	—	—	2	—	1	2	1	—	
EZM1800CBU	Studs (2 lugs)	Studs (2 lugs)	2	2	—	2	—	—	2	—	1	2	1	—	
EZM11000CBU	Studs (3 lugs)	Studs (3 lugs)	3	3	—	3	—	—	3	—	2	3	2	—	
EZM11200CBU	Studs (3 lugs)	Studs (3 lugs)	3	3	—	3	—	—	3	—	2	3	2	—	
EZM11600CBU	Studs (6 lugs)	Studs (6 lugs)	6	6	—	6	—	6	6	6	3	6	3	6	
EZM12000CBU	Studs (6 lugs)	Studs (6 lugs)	6	6	—	6	6 <sup>6</sup>	6	6	6 <sup>6</sup>	—	6	—	6	
EZM3400CBU	Studs (1 lug)	Studs (1 lug)	1	1	1	1	—	—	1	—	1	1	1	—	
EZM3600CBU	Studs (2 lugs)	Studs (2 lugs)	2	2	—	2	—	—	2	—	1	2	1	—	
EZM3800CBU	Studs (2 lugs)	Studs (2 lugs)	2	2	—	2	—	—	2	—	1	2	1	—	
EZM31000CBU	Studs (3 lugs)	Studs (3 lugs)	3	3	—	3	—	—	3	—	2	3	2	—	
EZM31200CBU	Studs (3 lugs)	Studs (3 lugs)	3	3	—	3	—	—	3	—	2	3	2	—	
EZM31600CBU	Studs (6 lugs)	Studs (6 lugs)	6	6	—	6	—	6	6	6	3	6	3	6	
EZM32000CBU	Studs (6 lugs)	Studs (6 lugs)	6	6 <sup>6</sup>	—	6	6 <sup>6</sup>	6	6	6 <sup>6</sup>	—	6	—	6	
EZM1400FS <sup>2,3</sup>	(1) AL400LA	(1) MMLK250	—	—	—	—	—	—	—	—	—	—	—	—	
EZM1600FS <sup>2,4</sup>	(1) AL900MA	(2) MMLK500	—	—	—	—	—	—	—	—	—	—	—	—	
EZM1800FS <sup>2,4</sup>	(1) AL900MA	(2) MMLK500	—	—	—	—	—	—	—	—	—	—	—	—	
EZM11200FS <sup>5</sup>	(4) 40251-136-50	(4) 40251-136-50	4	4	—	4	—	—	4	4	2	4	2	—	
EZM3400FS <sup>2,3</sup>	(1) AL400LA	(1) MMLK250	—	—	—	—	—	—	—	—	—	—	—	—	
EZM3600FS <sup>2,4</sup>	(1) AL900MA	(2) MMLK500	—	—	—	—	—	—	—	—	—	—	—	—	
EZM3800FS <sup>2,4</sup>	(1) AL900MA	(2) MMLK500	—	—	—	—	—	—	—	—	—	—	—	—	
EZM1400FSU	Studs (1 lug)	Studs (1 lug)	1	1	1	1	—	—	1	—	1	1	1	—	
EZM1600FSU	Studs (2 lugs)	Studs (2 lugs)	2	2	—	2	—	—	2	—	1	2	1	—	
EZM1800FSU	Studs (2 lugs)	Studs (2 lugs)	2	2	—	2	—	—	2	—	1	2	1	—	
EZM11200FSU	Studs (3 lugs)	Studs (3 lugs)	3	3	—	3	—	—	3	3	2	3	2	—	
EZM3400FSU	Studs (1 lug)	Studs (1 lug)	1	1	1	1	—	—	1	—	1	1	1	—	

<sup>1</sup> This lug is available from Schneider Electric. Order catalog number CMELK4; kit includes four lugs.  
<sup>2</sup> Alternate lug kits are available for use on line side terminals of molded case circuit breaker or molded case switch (refer to most current Digest).  
<sup>3</sup> Alternate neutral lugs available, order one kit MMLK500 for two 3/0 AWG–500 kcmil Al/Cu (kit includes three two-barrel lugs). Neutral will accommodate one two-barrel lug only.  
<sup>4</sup> Alternate neutral lugs available, order one kit MMLK250 for one 1/0 AWG–600 kcmil Al/Cu or two 1/0 AWG–250 kcmil (kit includes three two-barrel lugs). Neutral will accommodate two two-barrel lugs only.  
<sup>5</sup> Lugs are supplied factory-installed on the lug landing pads of this device. Alternate lugs are available.  
<sup>6</sup> Wire range is limited to 750 kcmil max. in this device to comply with wire bending space requirements.

# EZ Meter-Pak<sup>®</sup> Meter Centers

## EZM Main Device Types and Configurations

Catalog Number	Standard Lugs (Factory-Installed)		Alternate Lugs by Manufacturer, Catalog Number, Wire Range AWG-kcmil, Crimping Tool, and Quantity Per Line Side Phase and Neutral (Order Lugs Separately)												
			ANDERSON					ILSCO				CMC			
	Line Side Phase Terminals	Line Side Neutral Terminals	VHCL-600-12BN	VHCL-750-12BN	VACL-1000-12BN	LID2-600	LID2-800	2ACL-600	TA-600-2N <sup>1</sup>	TA-800-2N	AU-600-2N (Two-Barrel)	A1B2-600-2	2AB2-600 (Two-Barrel)	L1D2-600	L1D2-800
			250-600 Cu	500-750 Cu	750-1000 Al	2-600 Al/Cu	300-800	250-600 Al/Cu	2-600 Al/Cu	300-800	(2) 2-600 Al/Cu	(2) 2-600 Al/Cu	2-600 Al/Cu	(2) 2-600 Al/Cu	300-800 Al/Cu
		VC-6	VC-7	VC-8	Mechanical	IDT-12	Mechanical	Mechanical	Mechanical	Mechanical	Mechanical	Mechanical	Mechanical		
EZM3600FSU	Studs (2 lugs)	Studs (2 lugs)	2	2	—	2	—	—	2	—	1	2	1	—	—
EZM3800FSU	Studs (2 lugs)	Studs (2 lugs)	2	2	—	2	—	—	2	—	1	2	1	—	—
EZM1225TB	(1) 40251-052-50	(1) 40251-052-50	—	—	—	—	—	—	—	—	—	—	—	—	—
EZM1400TB <sup>2 3 4</sup>	(1) MMLK500	(1) MMLK500	1	1	—	1	1	—	1	1	—	1	—	—	1
EZM1600TB <sup>2 5</sup>	(2) 40251-136-50	(2) 40251-136-50	—	—	—	—	—	—	—	—	—	—	—	—	—
EZM1800TB <sup>6</sup>	(2) MMLK500	(2) MMLK500	—	—	—	—	—	—	—	—	—	—	—	—	—
EZM11600TB	(6) 40251-136-50	(6) 40251-136-50	—	—	—	—	—	—	—	—	—	—	—	—	—
EZM3225TB	(1) 40251-052-50	(1) 40251-052-50	—	—	—	—	—	—	—	—	—	—	—	—	—
EZM3400TB <sup>2 3 7</sup>	(1) MMLK500	(1) MMLK500	1	1	—	1	1	—	1	1	—	1	—	—	1
EZM3600TB <sup>2 5</sup>	(2) 40251-136-50	(2) 40251-136-50	—	—	—	—	—	—	—	—	—	—	—	—	—
EZM3800TB <sup>8</sup>	(2) MMLK500	(2) MMLK500	—	—	—	—	—	—	—	—	—	—	—	—	—
EZM12000TB	Studs (6 lugs)	Studs (6 lugs)	6	6	6	6	6	—	6	6	6	6	6	6	6
EZM31600TB	(6) 40251-136-50	(6) 40251-136-50	—	—	—	—	—	—	—	—	—	—	—	—	—
EZM32000TB	Studs (6 lugs)	Studs (6 lugs)	6	6	6	6	6	—	6	6	6	6	6	6	6
EZM1400TBU <sup>5</sup>	Studs (1 lug)	Studs (1 lug)	1	1	—	1	1	—	1	1	—	1	—	—	1
EZM1800TBU <sup>5</sup>	Studs (2 lugs)	Studs (2 lugs)	2	2	—	2	2	—	2	2	—	2	—	—	2
EZM11200TBU <sup>5</sup>	Studs (3 lugs)	Studs (3 lugs)	3	3	—	3	3	—	3	3	—	3	—	—	3
EZM3400TBU/CU <sup>5</sup>	Studs (1 lug)	Studs (1 lug)	1	1	—	1	1	—	1	1	—	1	—	—	1
EZM3800TBU/CU <sup>5</sup>	Studs (2 lugs)	Studs (2 lugs)	2	2	—	2	2	—	2	2	—	2	—	—	2
EZM31200TBU/CU <sup>5</sup>	Studs (3 lugs)	Studs (3 lugs)	3	3	—	3	3	—	3	3	—	3	—	—	3

- <sup>1</sup> This lug kit is available from Schneider Electric. Order catalog number CMEK4; kit includes four lugs.
- <sup>2</sup> Alternate lug requires the use of lug landing kit part number EZMSK2 (order separately).
- <sup>3</sup> See pad drawing or wiring diagram for additional alternate lugs.
- <sup>4</sup> Alternate lug kit available from Schneider Electric. Order one kit MMLK250 for one 1/0 AWG–600 kcmil or 2 1/0 AWG–250 kcmil Al/Cu (kit includes three two-barrel lugs) each bus bar will accept one two-barrel lug.
- <sup>5</sup> See pad drawing for additional alternate lugs.
- <sup>6</sup> Alternate lug kit available from Schneider Electric. Order two MMLK250 kits for two 1/0 AWG–600 kcmil or four 1/0 AWG–250 kcmil Al/Cu (each kit includes three two-barrel lugs) each bus bar will accept two two-barrel lugs.
- <sup>7</sup> Alternate lug kit available. order two MMLK250 kits for one 1/0 AWG–250kcmil or two 1/0 AWG–250kcmil Al/Cu (each kit includes three two-barrel lugs) each bus bar will accept one two-barrel lug.
- <sup>8</sup> Alternate lug kit available. Order three MMLK250 kits for two 1/0 AWG–600 kcmil or four 1/0 AWG–250 kcmil Al/Cu (each kit includes three two-barrel lugs) each bus bar will accept two two-barrel lugs.

# EZ Meter-Pak<sup>®</sup> Meter Centers

## EZM Main Device Types and Configurations

### EZM Mains Devices

Number Segment	Character	Description	EZM	1	1000	CB	U	CU
Device Name	EZM	EZ Meter-Pak Meter Center						
Service Feed	1	1Ø3W						
	3	3Ø4W						
Mains Rating		225 A						
		400 A						
		600 A						
		800 A						
		1000 A						
		1200 A						
		1600 A						
Main Type	CB	Main Circuit Breaker						
	FS	Main Fusible Switch						
	TB	Terminal Box						
Feed Direction	Blank	Overhead/Underground						
	U	Underground Only, Meets EUSERC Standards up to 1200 A max.						
Special Construction	Blank	Aluminum Horizontal Cross Bus Bar up to 1000 A max.						
	CU	Copper Horizontal Cross Bus Bar						

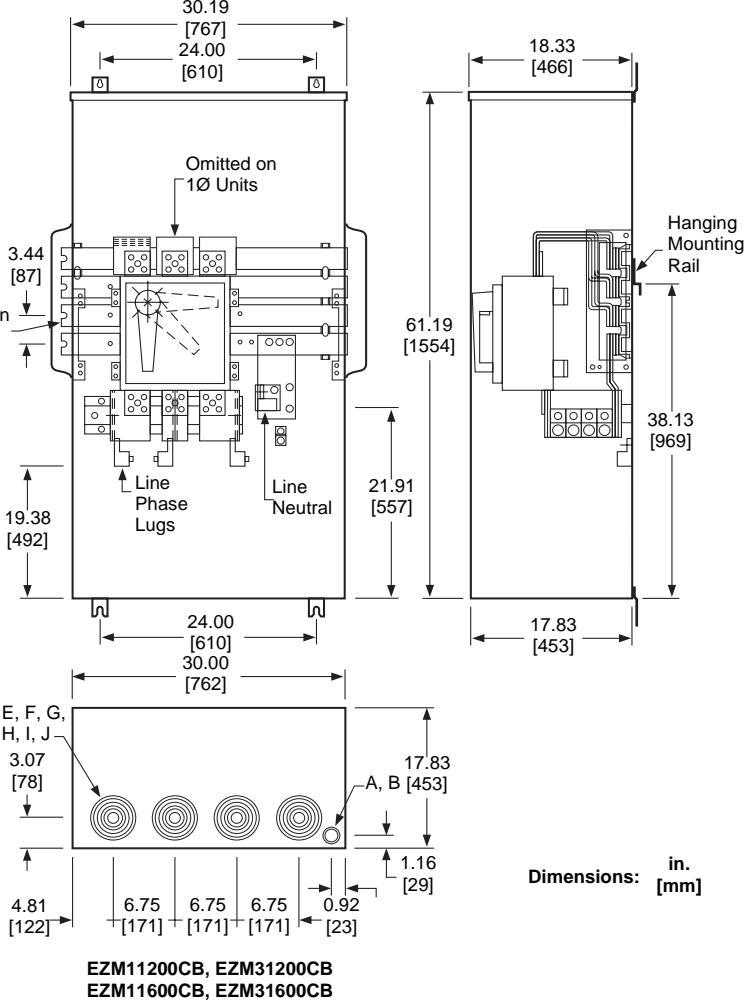
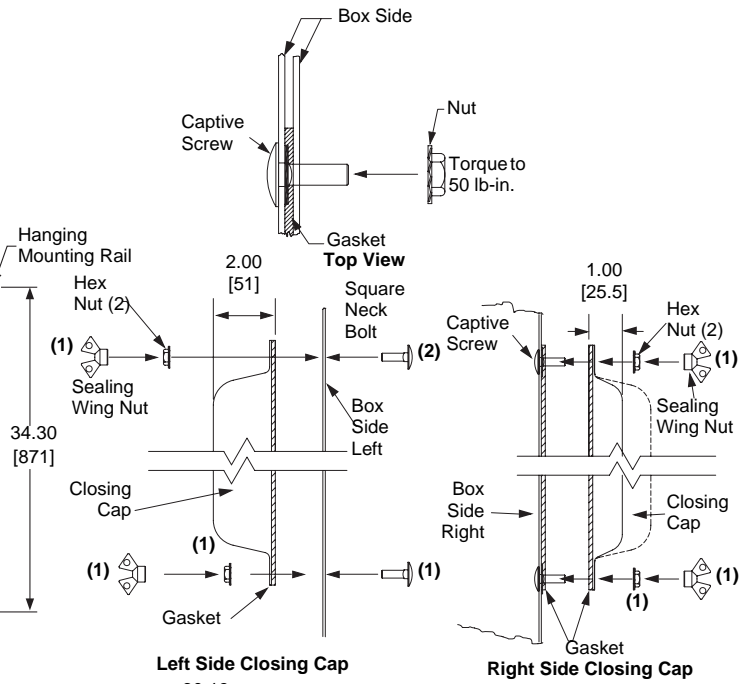
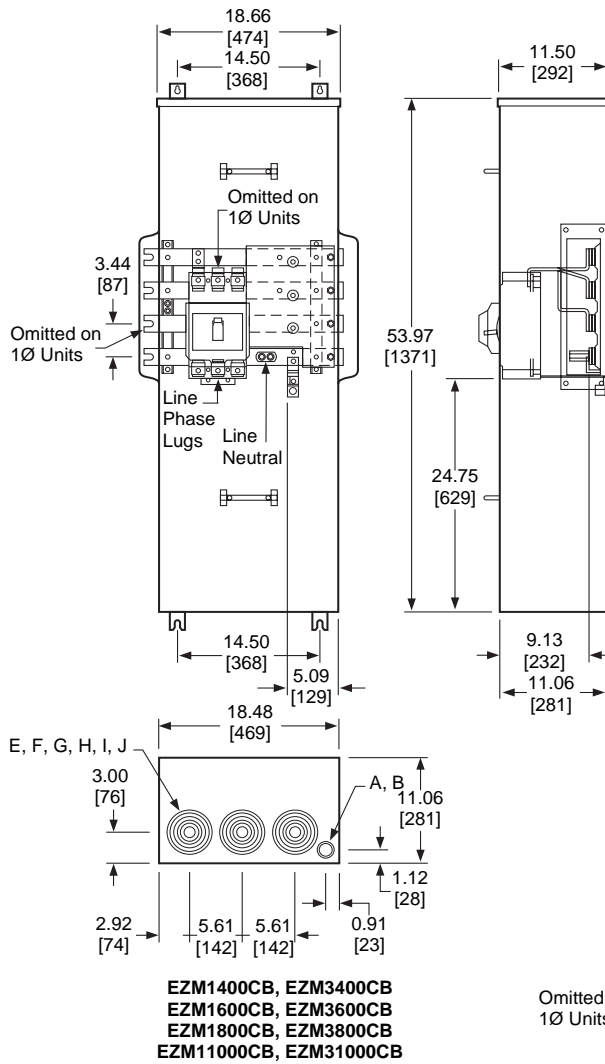
### EZM Branch Units

Number Segment	Character	Description	EZM	R	1	1	3	125	CU
Device Name	EZM	EZ Meter-Pak Meter Center							
Socket/Bypass Type	Blank	Ring Type							
	R	Ringless Type with 5th Jaw							
	H	Ringless with Horn Bypass and 5th Jaw							
	L	Lever Bypass with 5th Jaw, 7th Jaw if Three-Phase							
	T	Ring Type Test-Block Bypass EUSERC							
	K	K-Base Bolt-On Type							
Service Feed	1	1Ø3W							
	3	3Ø4W							
Load Feed	1	1Ø3W							
	3	3Ø4W							
Number of Meter Sockets	Meter Sockets Available	1, 2, 3, 4, 5, or 6							
Maximum Tenant Circuit Breaker Amperage		125 A							
		225 A							
		400 A							
Special Construction	Blank	Aluminum Horizontal Cross Bus Bar							
	CA	For 240/120 Vac Delta Systems							
	CU	Copper Horizontal Cross Bus Bar							
	D	Removable Drip Hood with Indoor Top Endwall with Knockouts							
	M10	10-Inch Meter Centers							
	X	1200 A Copper Horizontal Cross Bus Bar							

# EZ Meter-Pak<sup>®</sup> Meter Centers

## Dimensions and Knockouts

### Dimensions and Knockouts

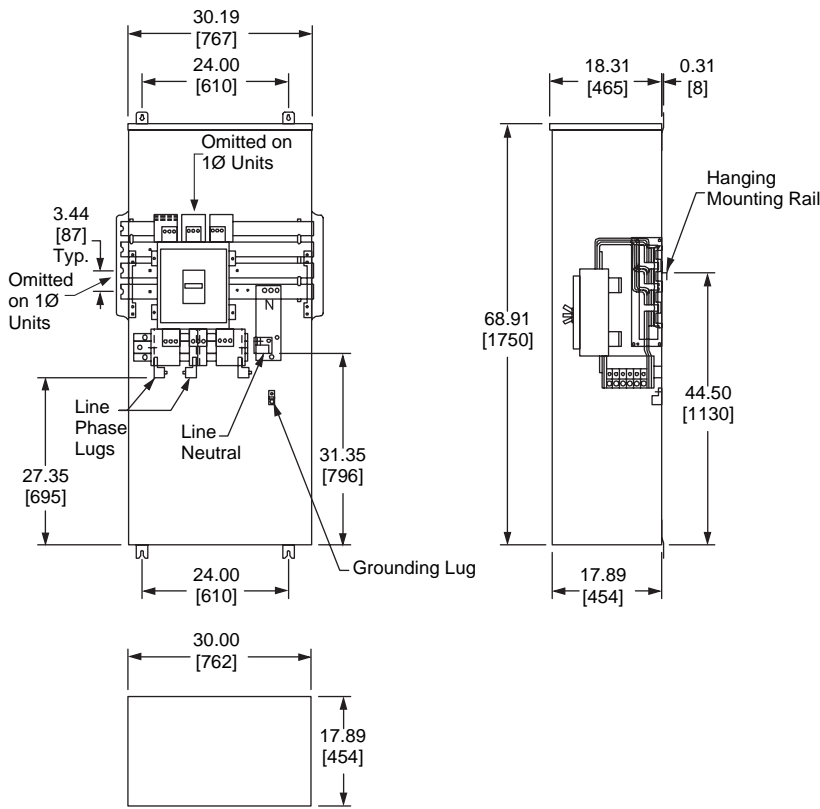


Knockouts				
Symbol	Conduit Size		Hole Diameter	
	in.	[mm]	in.	[mm]
A	0.50	13	0.88	22
B	0.75	19	1.25	32
C	1.00	25	1.38	35
D	1.25	32	1.75	44
E	1.50	38	2.00	51
F	2.00	51	2.50	64
G	2.50	64	3.00	76
H	3.00	76	3.63	92
I	3.50	89	4.13	105
J	4.00	102	4.63	118

Dimensions: in. [mm]

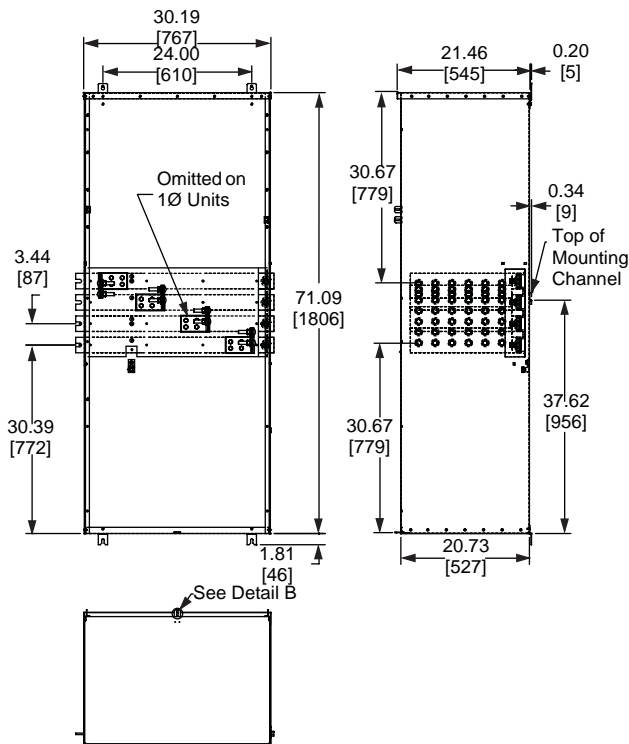


# EZ Meter-Pak<sup>®</sup> Meter Centers Dimensions and Knockouts



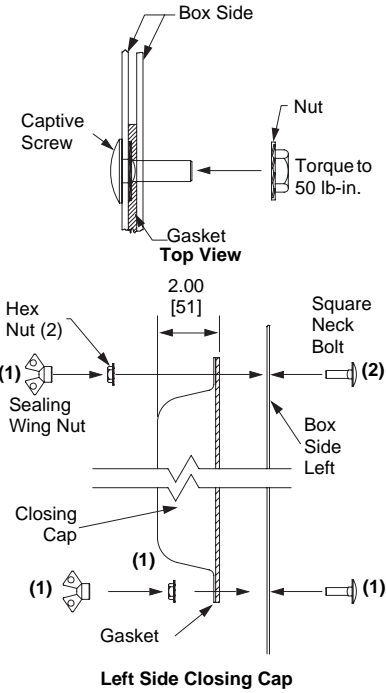
EZM12000CB, EZM32000CB

**NOTE:** No knockouts provided.

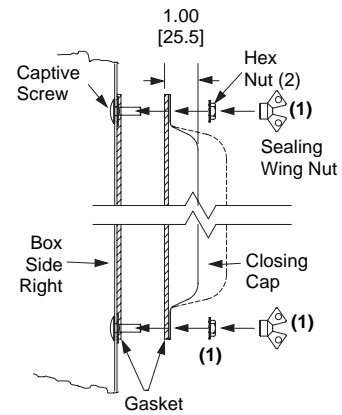


EZM12000TB, EZM32000TB

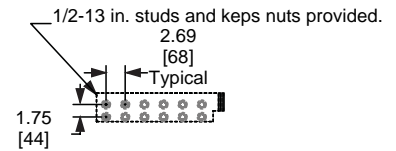
**NOTE:** No knockouts provided.



Left Side Closing Cap



Right Side Closing Cap

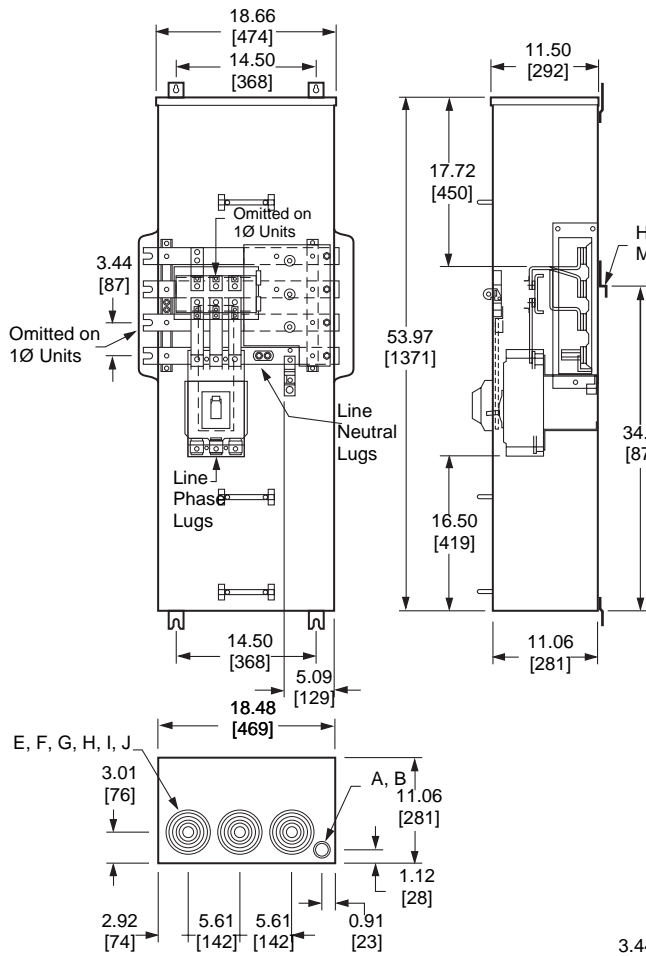


Lug Landing Pad Detail

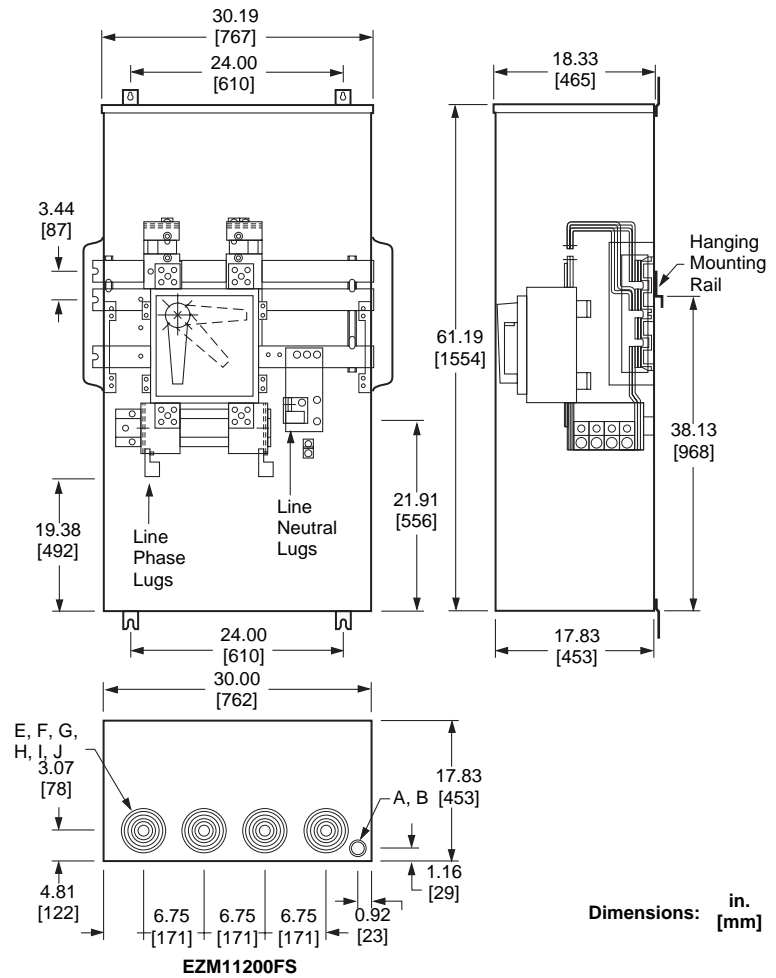
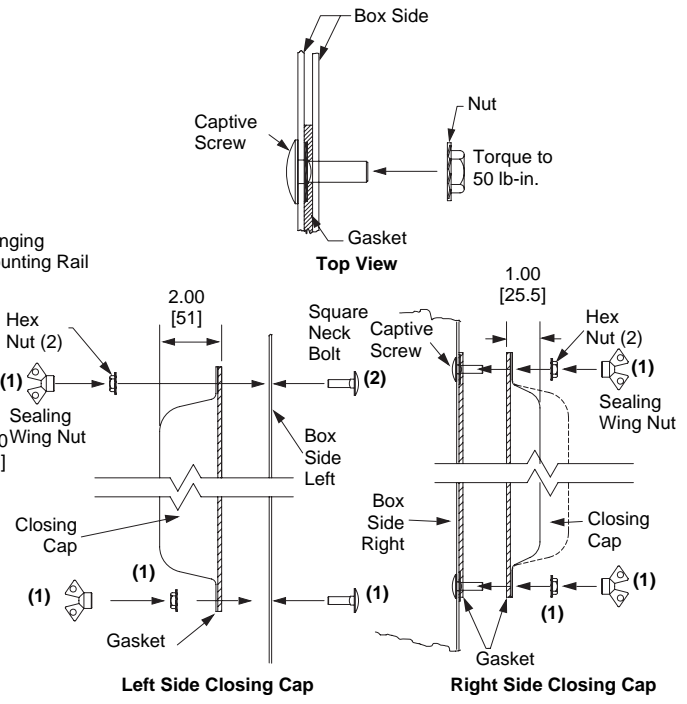
Dimensions: in. [mm]

# EZ Meter-Pak<sup>®</sup> Meter Centers

## Dimensions and Knockouts



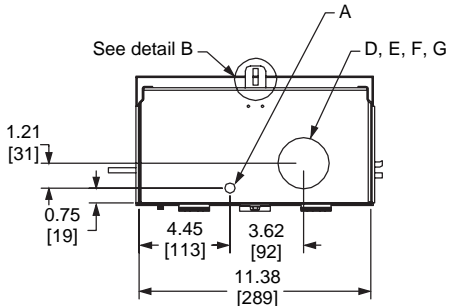
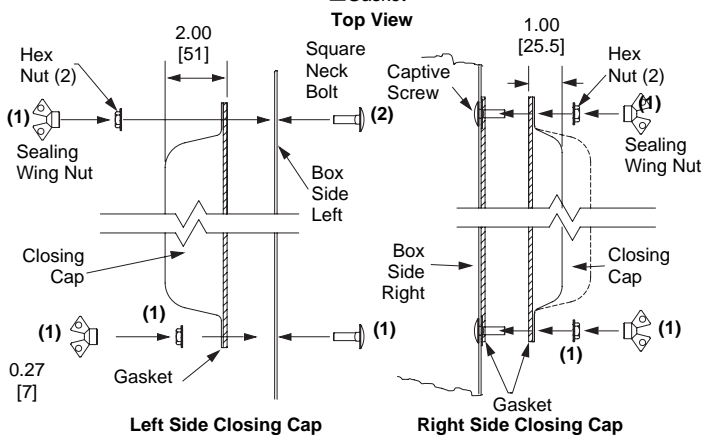
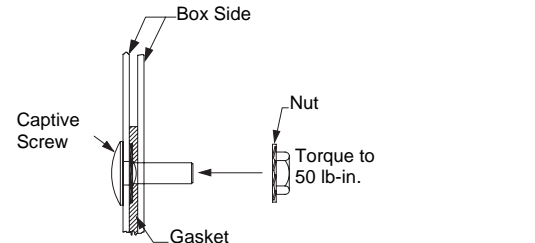
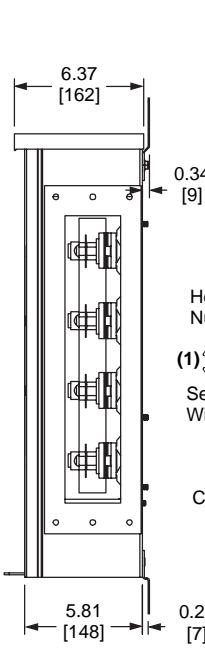
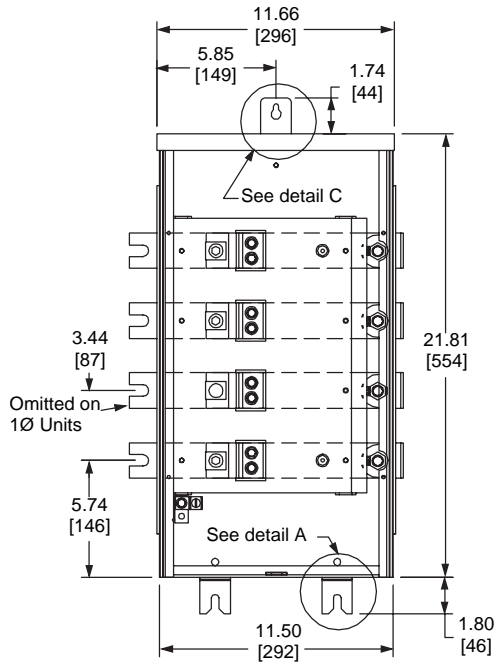
EZM1400FS, EZM3400FS  
 EZM1600FS, EZM3600FS  
 EZM1800FS, EZM3800FS



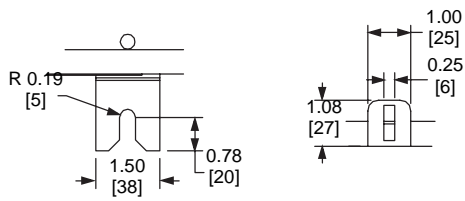
Dimensions: in. [mm]

Knockouts				
Symbol	Conduit Size		Hole Diameter	
	in.	[mm]	in.	[mm]
A	0.50	13	0.88	22
B	0.75	19	1.25	32
C	1.00	25	1.38	35
D	1.25	32	1.75	44
E	1.50	38	2.00	51
F	2.00	51	2.50	64
G	2.50	64	3.00	76
H	3.00	76	3.63	92
I	3.50	89	4.13	105
J	4.00	102	4.63	118

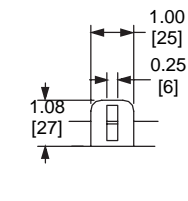
# EZ Meter-Pak<sup>®</sup> Meter Centers Dimensions and Knockouts



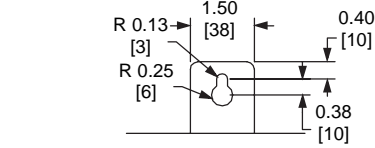
**EZM1225TB, EZM3225TB**



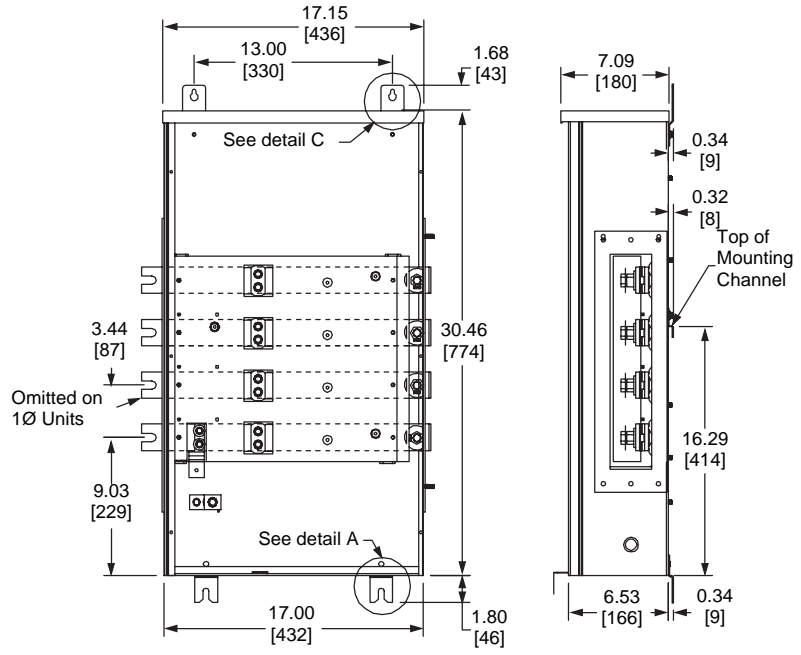
**Detail A  
Bottom Mounting Bracket**



**Detail B  
Cover Sealing Latch**



**Detail C  
Top Mounting Bracket**

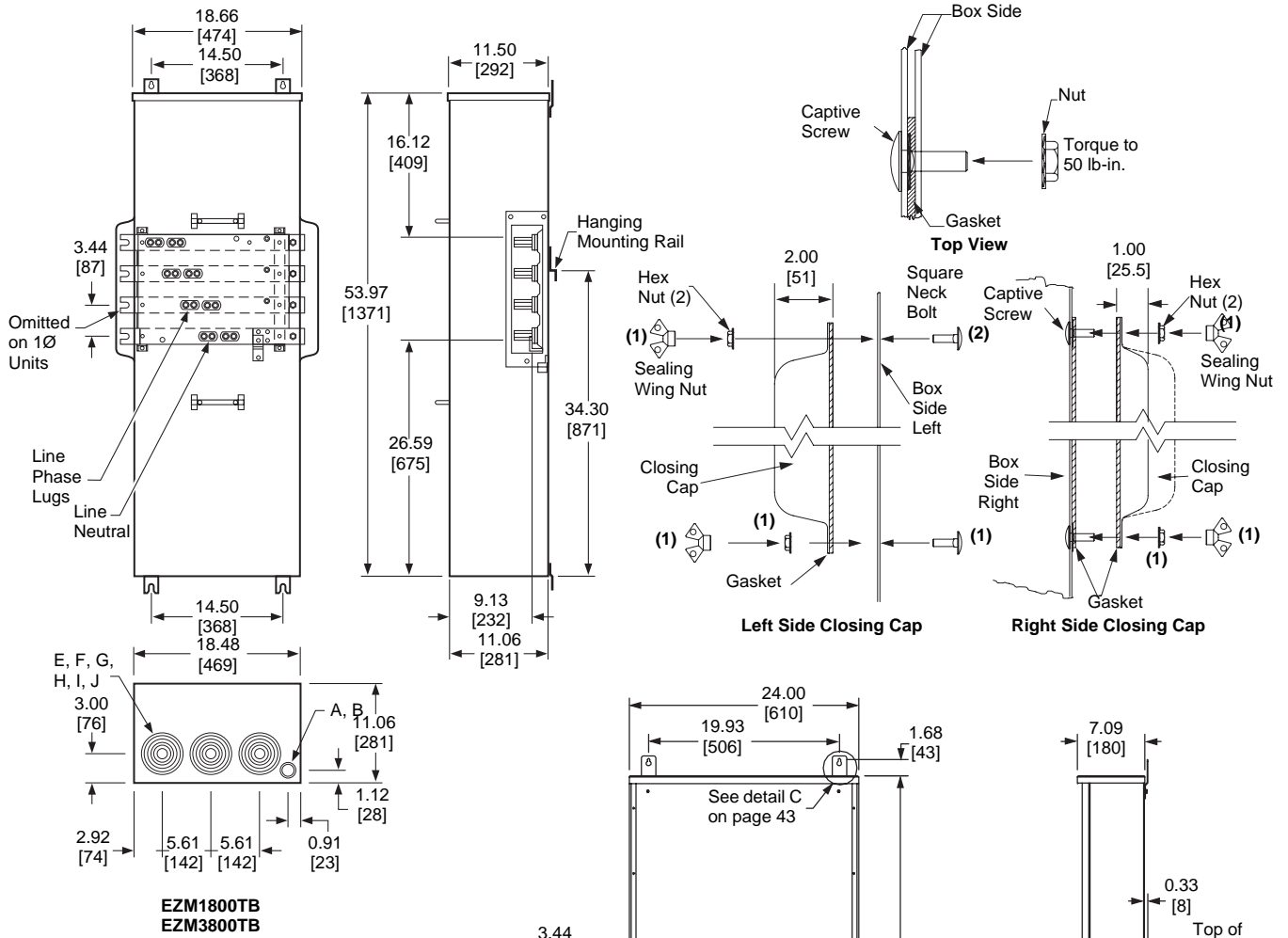


**EZM1400TB, EZM3400TB  
EZM1600TB, EZM3600TB**

**NOTE:** For knockout dimensions, see table on opposite page.

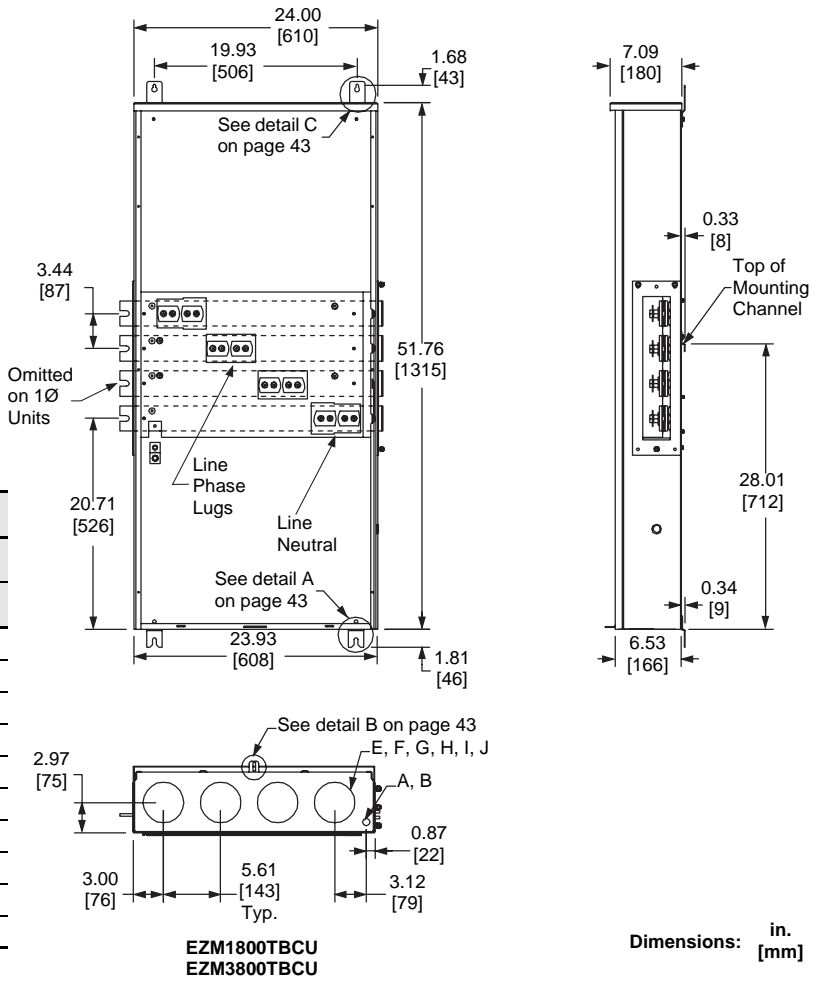
# EZ Meter-Pak<sup>®</sup> Meter Centers

## Dimensions and Knockouts



**EZM1800TB**  
**EZM3800TB**

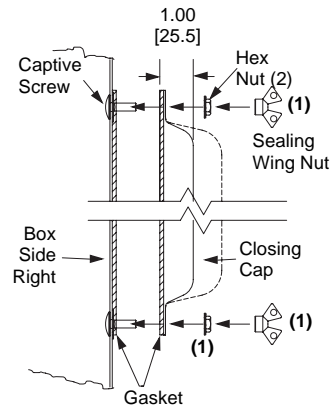
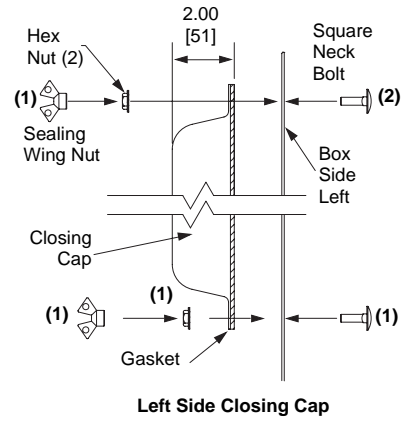
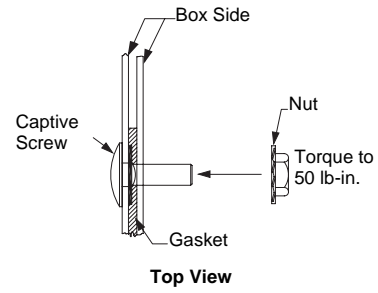
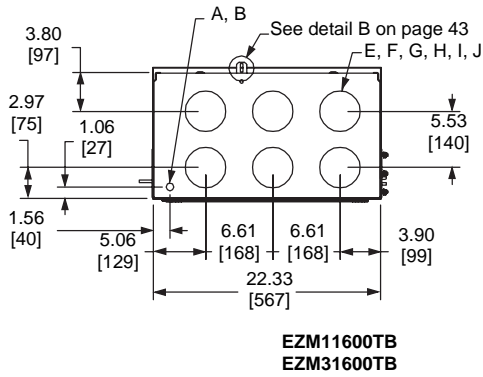
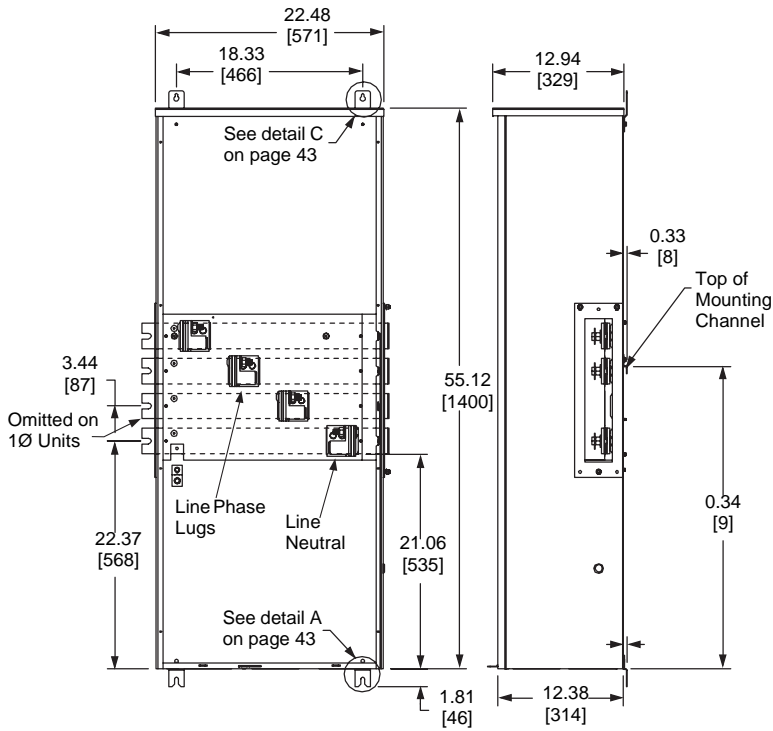
Knockouts				
Symbol	Conduit Size		Hole Diameter	
	in.	[mm]	in.	[mm]
A	0.50	13	0.88	22
B	0.75	19	1.25	32
C	1.00	25	1.38	35
D	1.25	32	1.75	44
E	1.50	38	2.00	51
F	2.00	51	2.50	64
G	2.50	64	3.00	76
H	3.00	76	3.63	92
I	3.50	89	4.13	105
J	4.00	102	4.63	118



**EZM1800TBCU**  
**EZM3800TBCU**

Dimensions: in. [mm]

# EZ Meter-Pak<sup>®</sup> Meter Centers Dimensions and Knockouts

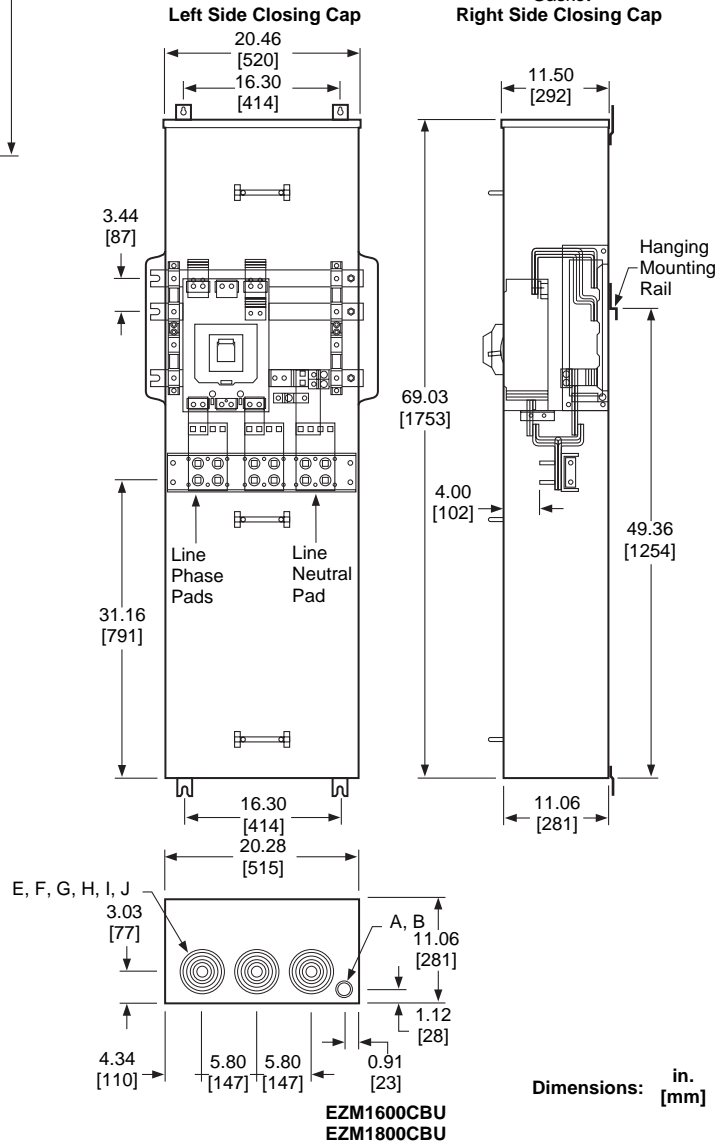
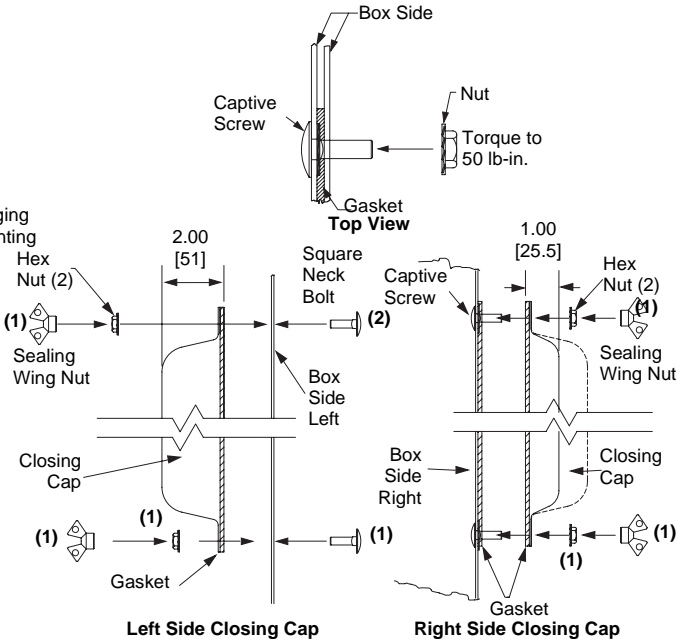
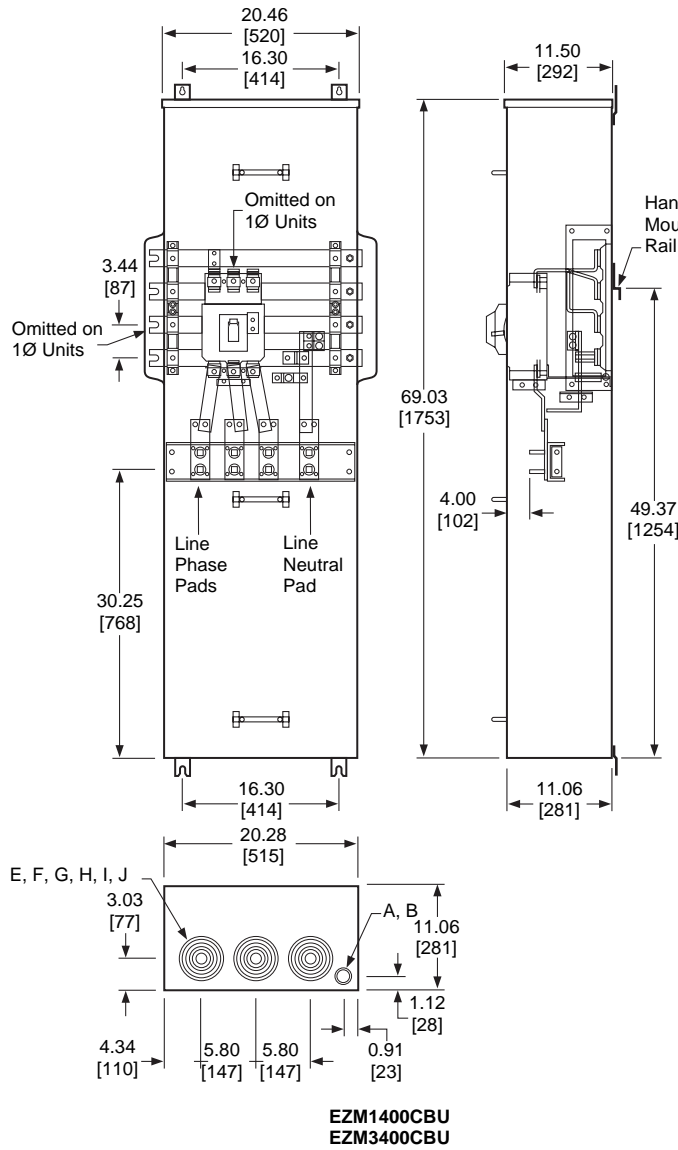


Knockouts				
Symbol	Conduit Size		Hole Diameter	
	in.	[mm]	in.	[mm]
A	0.50	13	0.88	22
B	0.75	19	1.25	32
C	1.00	25	1.38	35
D	1.25	32	1.75	44
E	1.50	38	2.00	51
F	2.00	51	2.50	64
G	2.50	64	3.00	76
H	3.00	76	3.63	92
I	3.50	89	4.13	105
J	4.00	102	4.63	118

Dimensions: in.  
[mm]

# EZ Meter-Pak<sup>®</sup> Meter Centers

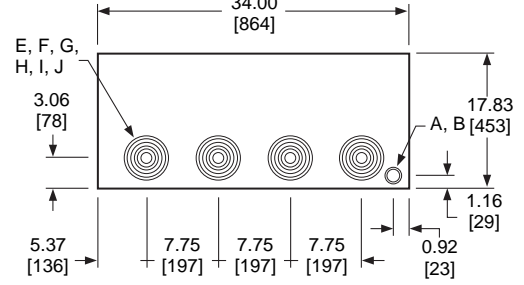
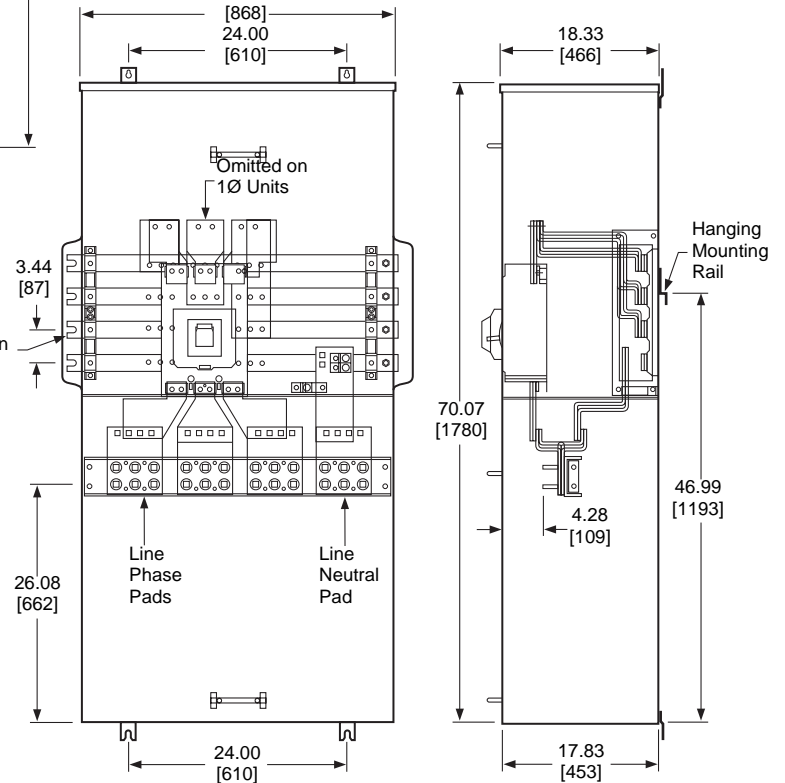
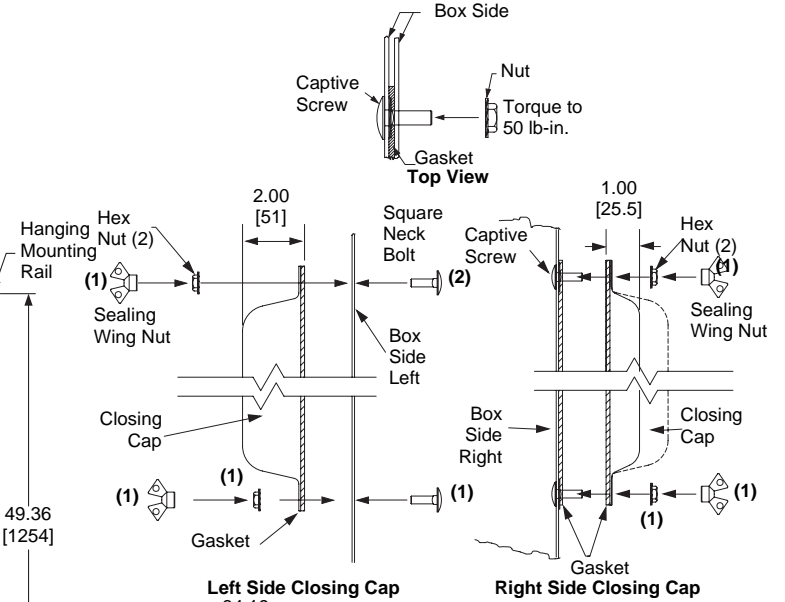
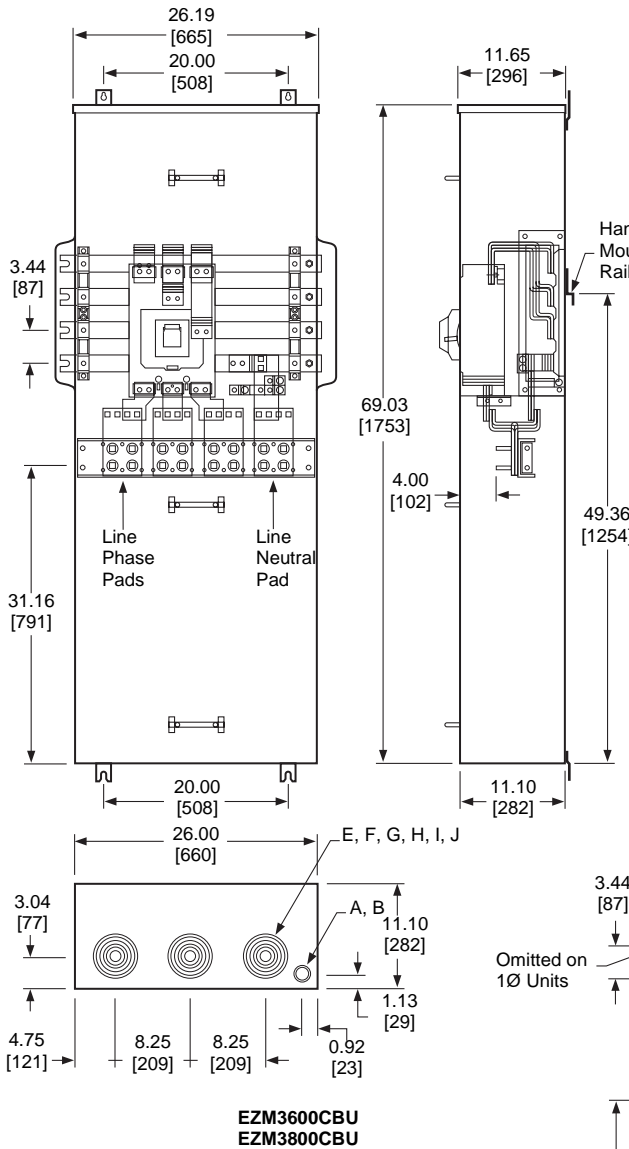
## Dimensions and Knockouts



Dimensions: in. [mm]

Knockouts				
Symbol	Conduit Size		Hole Diameter	
	in.	[mm]	in.	[mm]
A	0.50	13	0.88	22
B	0.75	19	1.25	32
C	1.00	25	1.38	35
D	1.25	32	1.75	44
E	1.50	38	2.00	51
F	2.00	51	2.50	64
G	2.50	64	3.00	76
H	3.00	76	3.63	92
I	3.50	89	4.13	105
J	4.00	102	4.63	118

# EZ Meter-Pak® Meter Centers Dimensions and Knockouts



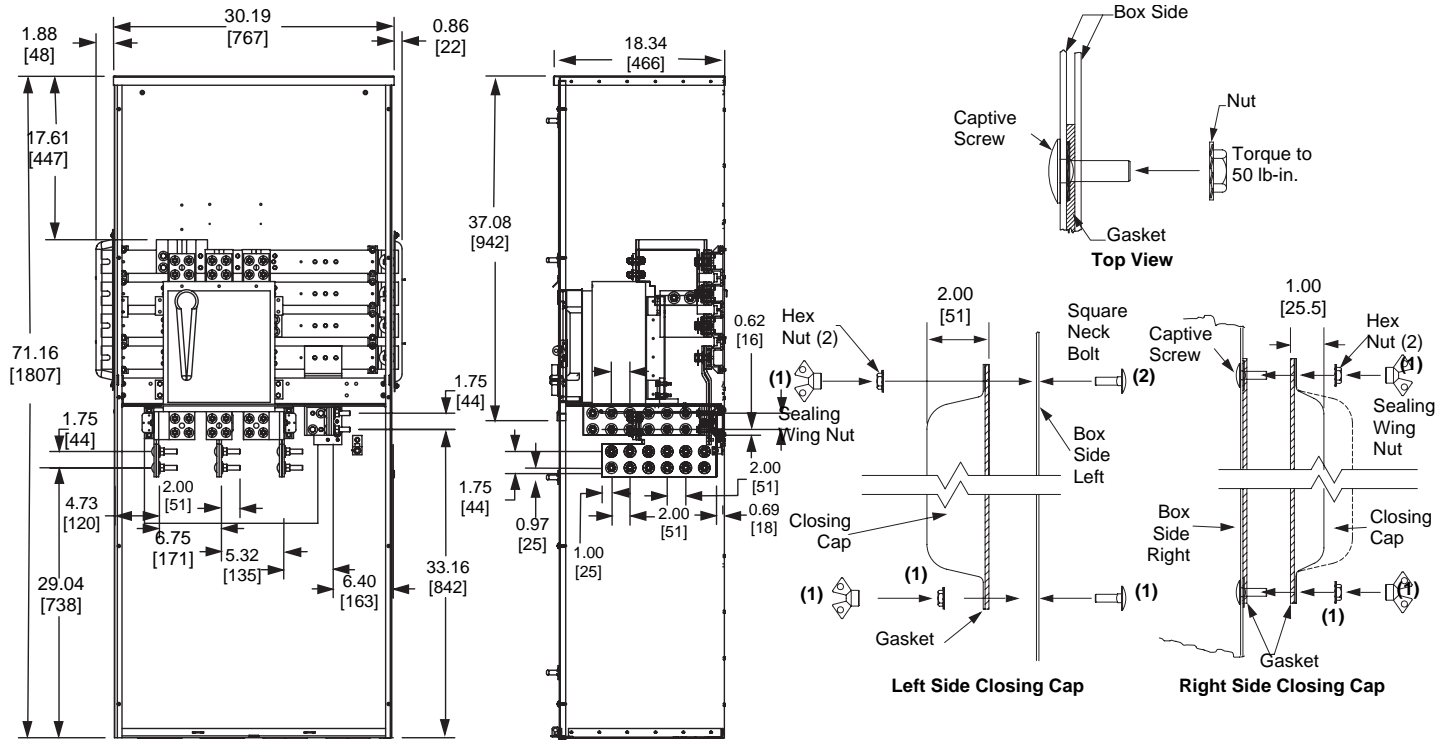
Dimensions: in. [mm]

**EZM1100CBU, EZM3100CBU, EZM11200CBU, EZM31200CBU**

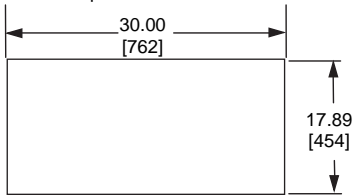
Knockouts				
Symbol	Conduit Size		Hole Diameter	
	in.	[mm]	in.	[mm]
A	0.50	13	0.88	22
B	0.75	19	1.25	32
C	1.00	25	1.38	35
D	1.25	32	1.75	44
E	1.50	38	2.00	51
F	2.00	51	2.50	64
G	2.50	64	3.00	76
H	3.00	76	3.63	92
I	3.50	89	4.13	105
J	4.00	102	4.63	118

# EZ Meter-Pak<sup>®</sup> Meter Centers

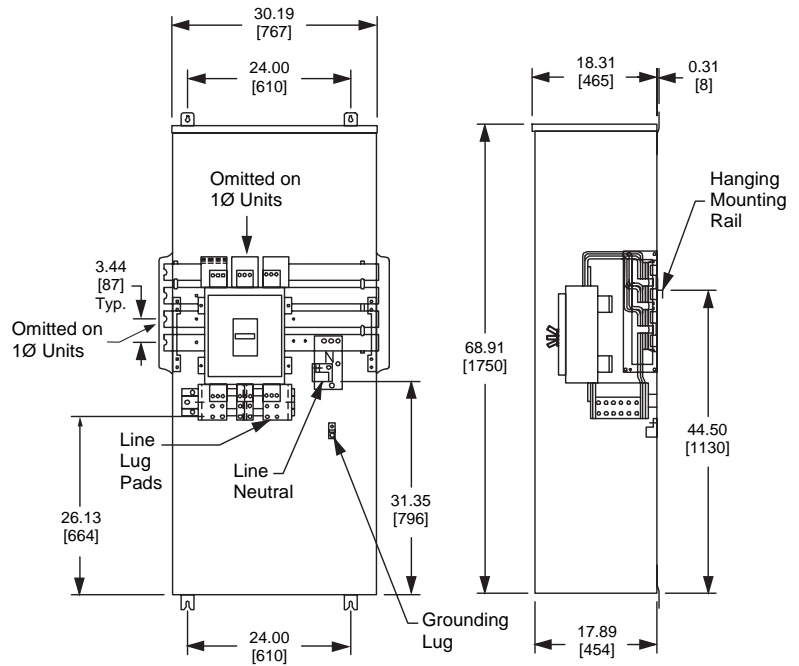
## Dimensions and Knockouts



NOTE: No knockouts provided.



**EZM11600CBU**  
**EZM31600CBU**

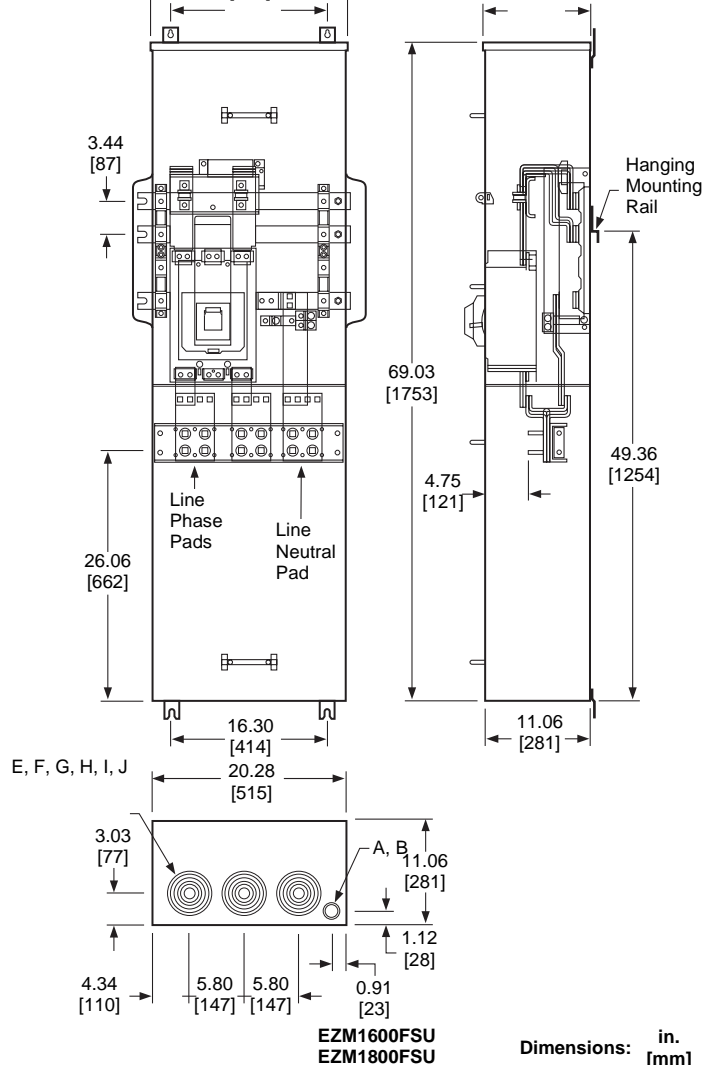
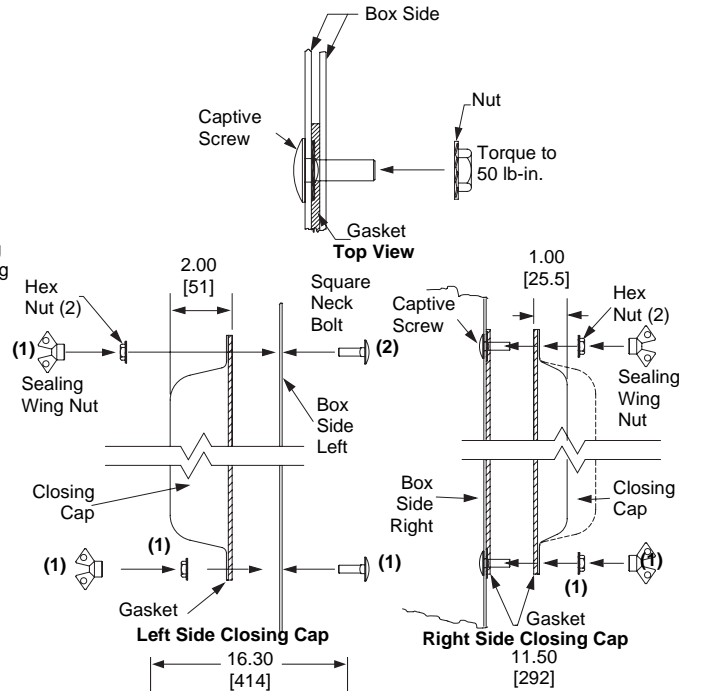
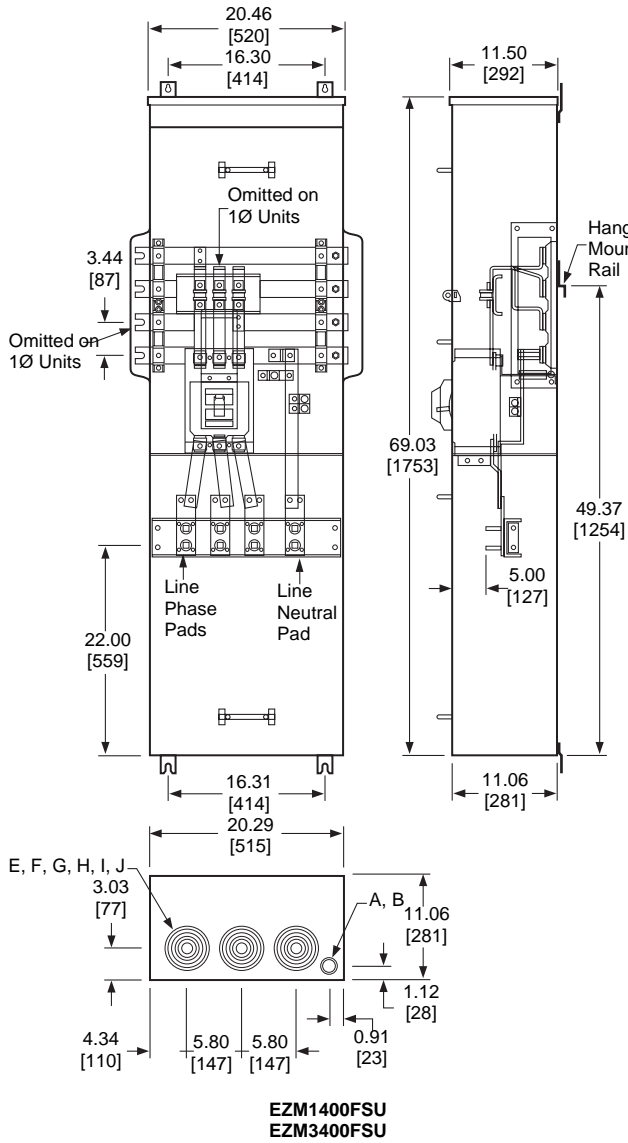


NOTE: No knockouts provided.

**EZM12000CBU, EZM32000CBU** Dimensions: in. [mm]



# EZ Meter-Pak<sup>®</sup> Meter Centers Dimensions and Knockouts

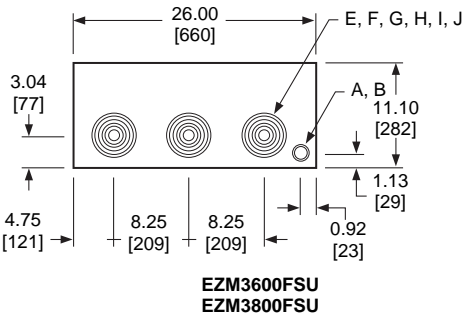
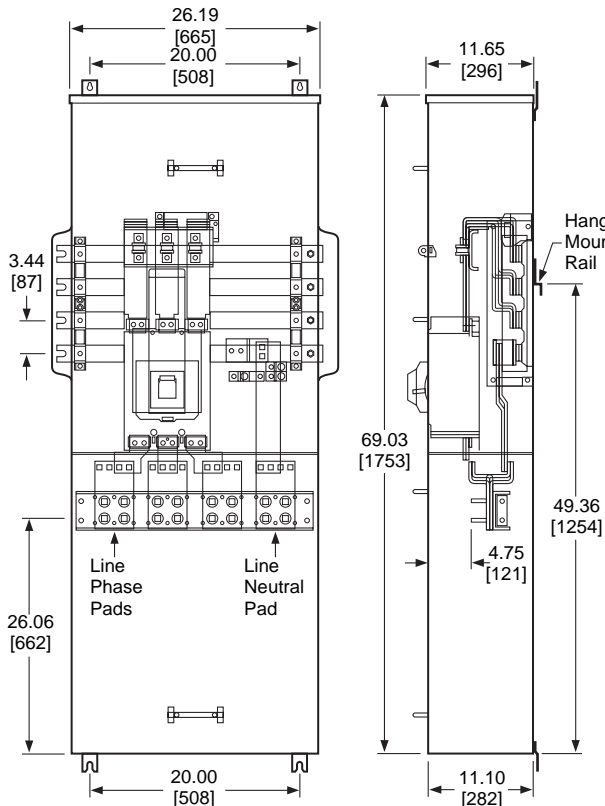


Dimensions: in. [mm]

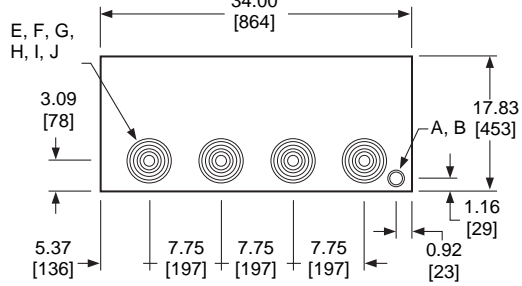
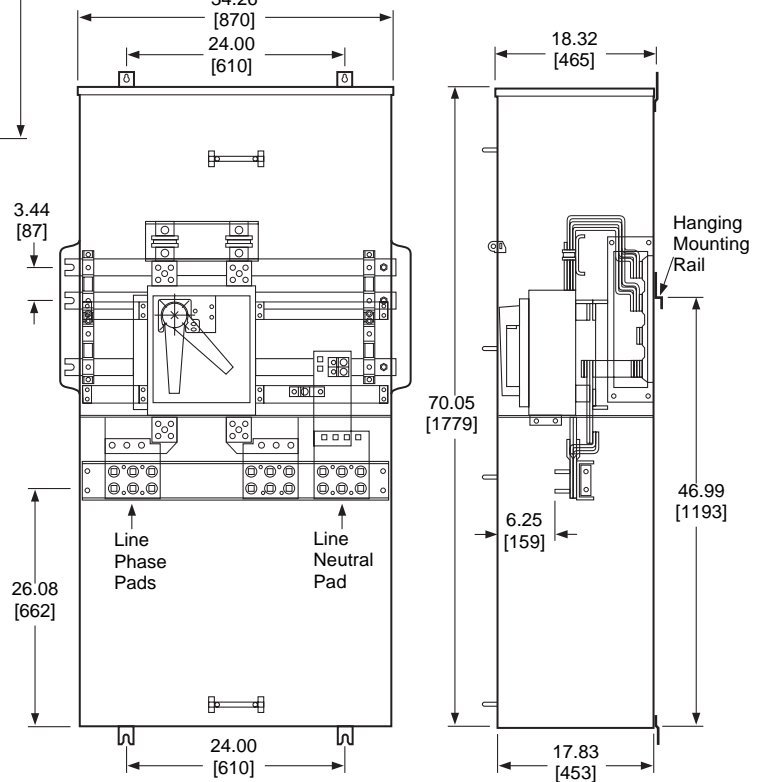
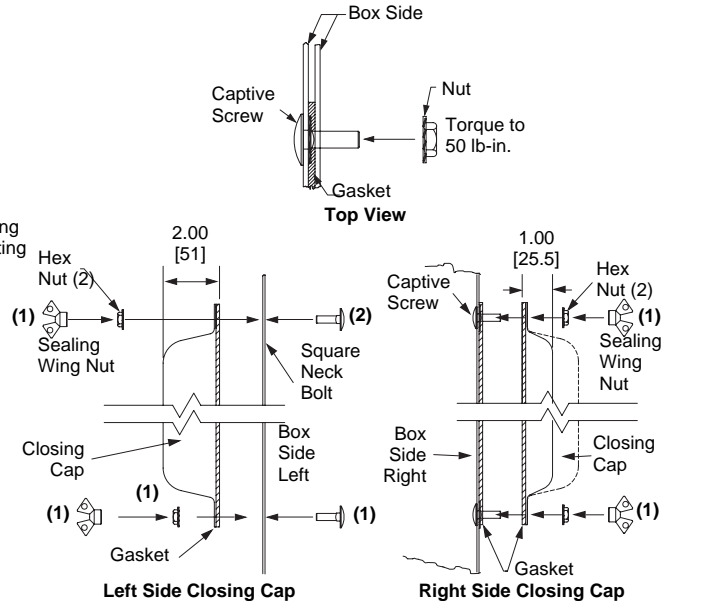
Knockouts				
Symbol	Conduit Size		Hole Diameter	
	in.	[mm]	in.	[mm]
A	0.50	13	0.88	22
B	0.75	19	1.25	32
C	1.00	25	1.38	35
D	1.25	32	1.75	44
E	1.50	38	2.00	51
F	2.00	51	2.50	64
G	2.50	64	3.00	76
H	3.00	76	3.63	92
I	3.50	89	4.13	105
J	4.00	102	4.63	118

# EZ Meter-Pak® Meter Centers

## Dimensions and Knockouts



**EZM3600FSU**  
**EZM3800FSU**

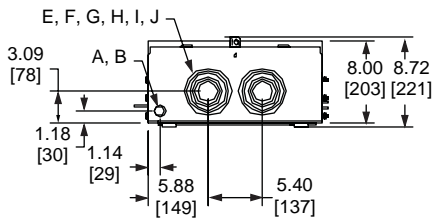
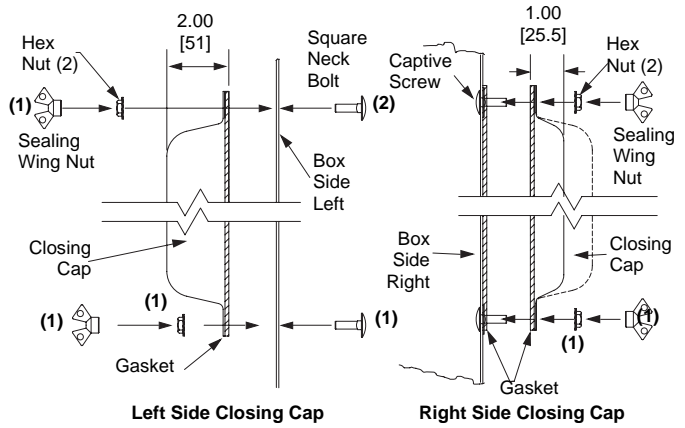
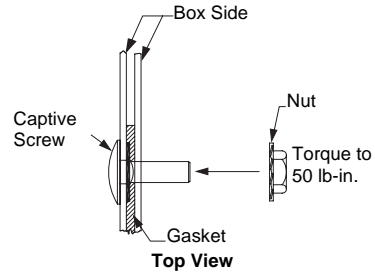
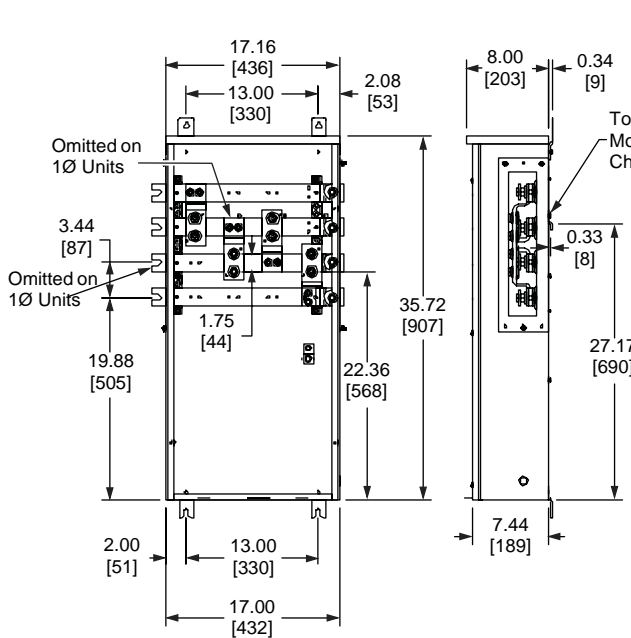


**EZM11200FSU**

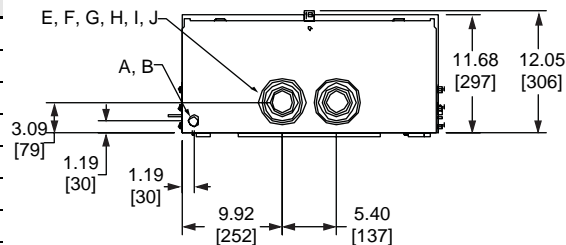
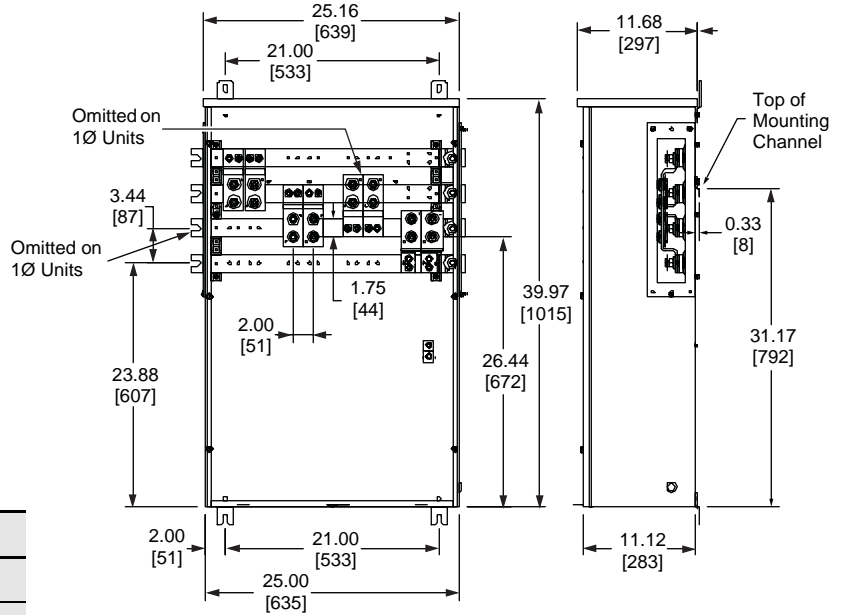
Dimensions: in. [mm]

Knockouts				
Symbol	Conduit Size		Hole Diameter	
	in.	[mm]	in.	[mm]
A	0.50	13	0.88	22
B	0.75	19	1.25	32
C	1.00	25	1.38	35
D	1.25	32	1.75	44
E	1.50	38	2.00	51
F	2.00	51	2.50	64
G	2.50	64	3.00	76
H	3.00	76	3.63	92
I	3.50	89	4.13	105
J	4.00	102	4.63	118

# EZ Meter-Pak<sup>®</sup> Meter Centers Dimensions and Knockouts



**EZM1400TBU, EZM3400TBU**



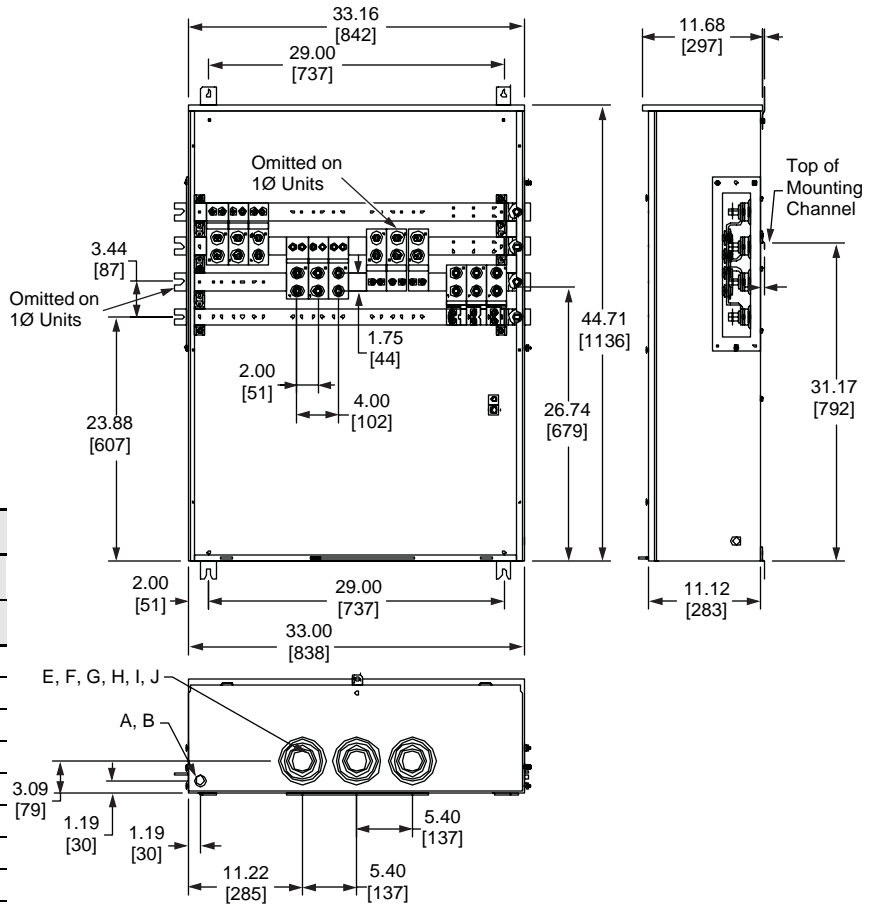
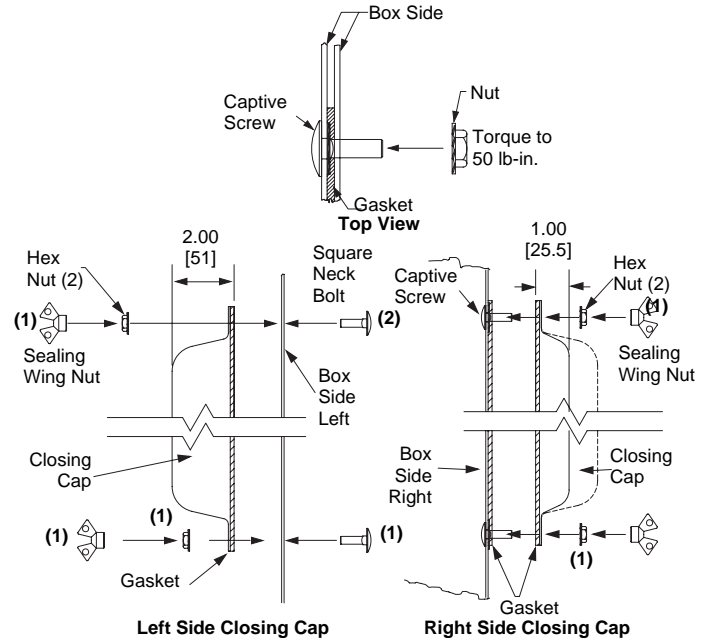
**EZM1800TBU, EZM3800TBU**

Knockouts				
Symbol	Conduit Size		Hole Diameter	
	in.	[mm]	in.	[mm]
A	0.50	13	0.88	22
B	0.75	19	1.25	32
C	1.00	25	1.38	35
D	1.25	32	1.75	44
E	1.50	38	2.00	51
F	2.00	51	2.50	64
G	2.50	64	3.00	76
H	3.00	76	3.63	92
I	3.50	89	4.13	105
J	4.00	102	4.63	118

Dimensions: in. [mm]

# EZ Meter-Pak<sup>®</sup> Meter Centers

## Dimensions and Knockouts

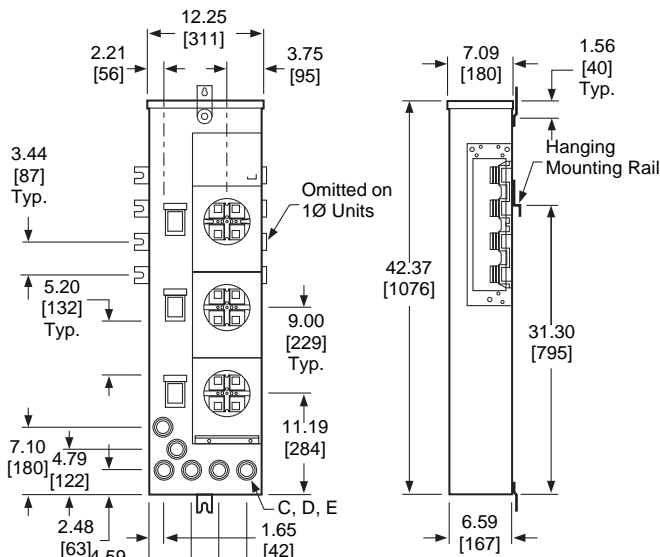


EZM11200TBU, EZM31200TBU

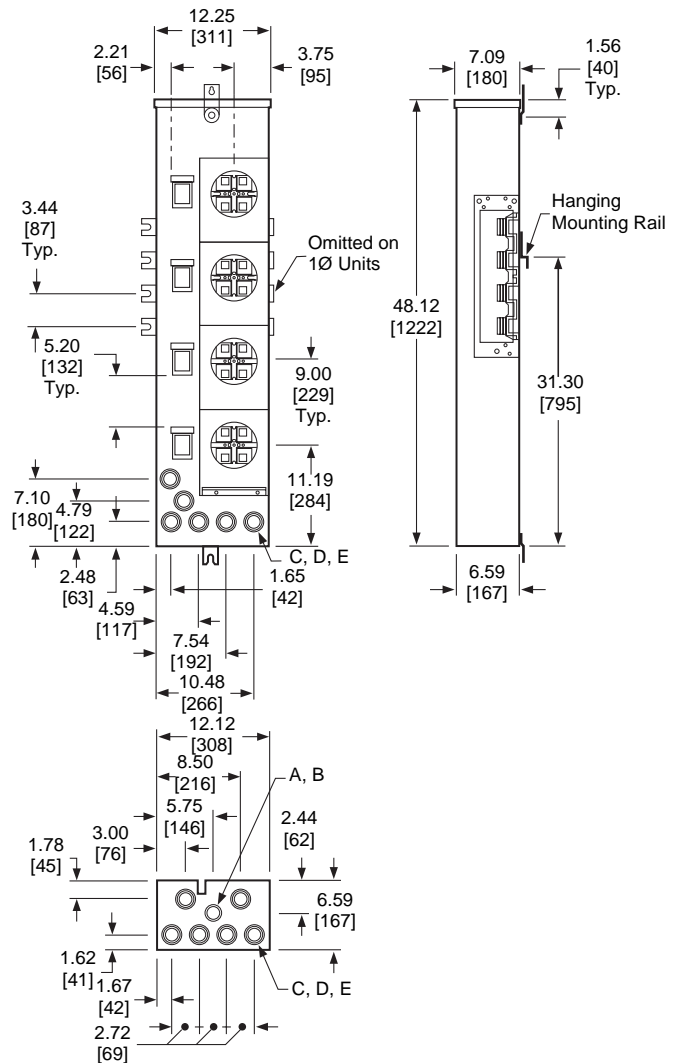
Dimensions: in. [mm]

Knockouts				
Symbol	Conduit Size		Hole Diameter	
	in.	[mm]	in.	[mm]
A	0.50	13	0.88	22
B	0.75	19	1.25	32
C	1.00	25	1.38	35
D	1.25	32	1.75	44
E	1.50	38	2.00	51
F	2.00	51	2.50	64
G	2.50	64	3.00	76
H	3.00	76	3.63	92
I	3.50	89	4.13	105
J	4.00	102	4.63	118

# EZ Meter-Pak<sup>®</sup> Meter Centers Dimensions and Knockouts



EZM113125 / X / CUX, EZM313125 / X / CUX  
EZMR113125 / X / CUX, EZMR313125 / X / CUX  
EZMH113125 / X / CUX, EZMH313125 / X / CUX



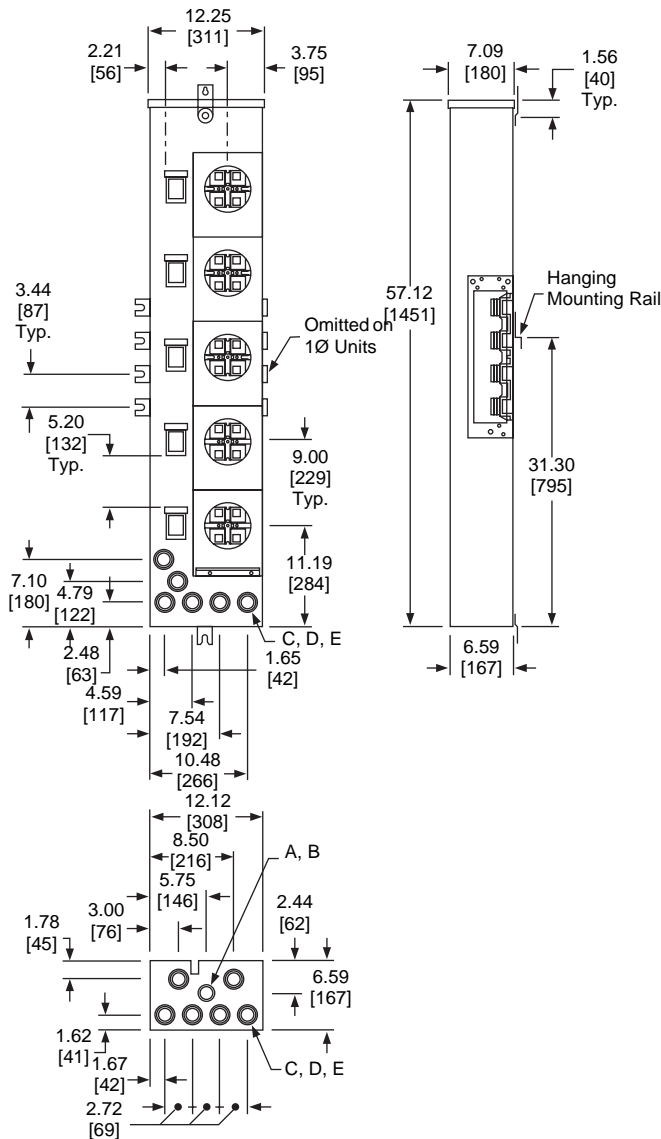
EZM114125 / X / CUX, EZM314125 / X / CUX  
EZMR114125 / X / CUX, EZMR314125 / X / CUX  
EZMH114125 / X / CUX, EZMH314125 / X / CUX

Dimensions: in. / mm

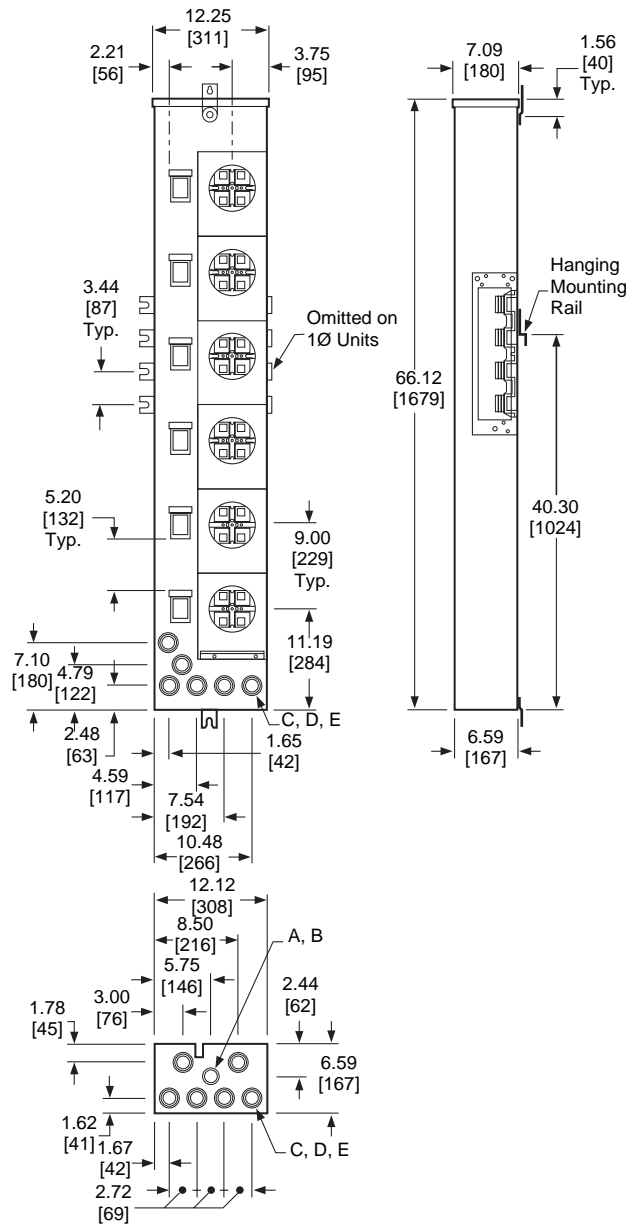
Knockouts				
Symbol	Conduit Size		Hole Diameter	
	in.	[mm]	in.	[mm]
A	0.50	13	0.88	22
B	0.75	19	1.25	32
C	1.00	25	1.38	35
D	1.25	32	1.75	44
E	1.50	38	2.00	51
F	2.00	51	2.50	64
G	2.50	64	3.00	76
H	3.00	76	3.63	92
I	3.50	89	4.13	105
J	4.00	102	4.63	118

# EZ Meter-Pak<sup>®</sup> Meter Centers

## Dimensions and Knockouts



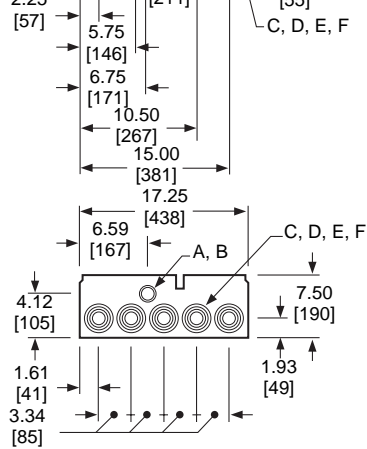
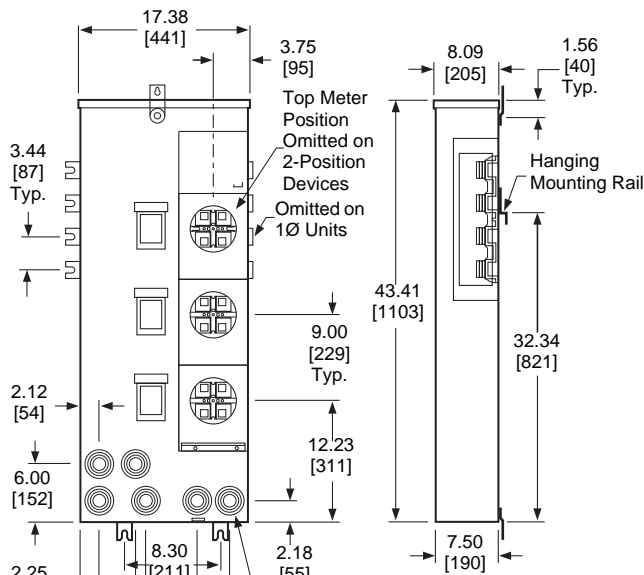
EZM115125 / X / CUX, EZM315125 / X / CUX  
 EZMR115125 / X / CUX, EZMR315125 / X / CUX  
 EZMH115125 / X / CUX, EZMH315125 / X / CUX



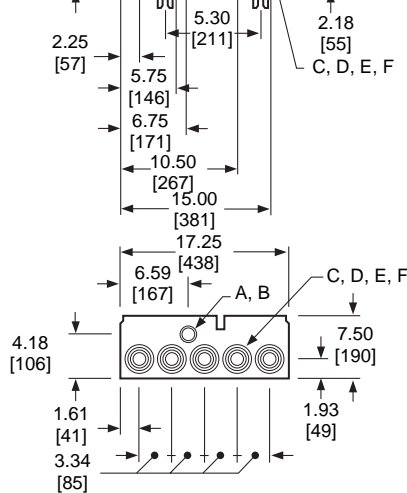
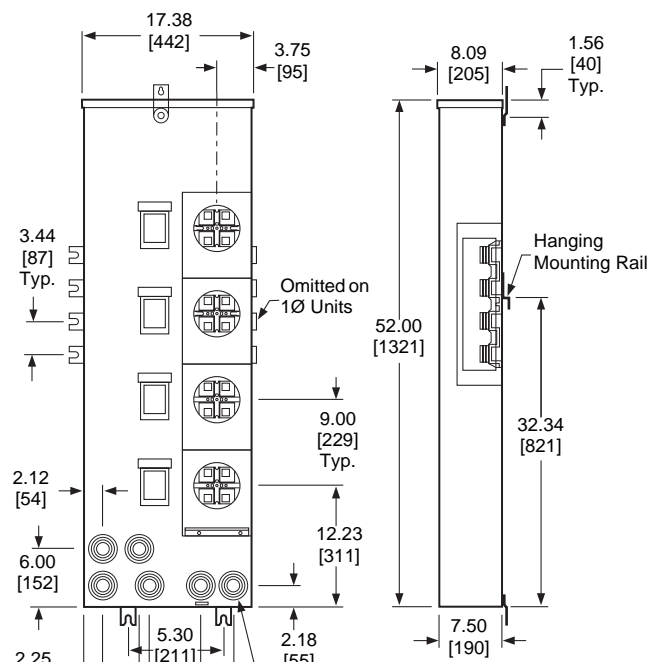
EZM116125 / X / CUX, EZM316125 / X / CUX  
 EZMR116125 / X / CUX, EZMR316125 / X / CUX  
 EZMH116125 / X / CUX, EZMH316125 / X / CUX

Dimensions: in. [mm]

# EZ Meter-Pak® Meter Centers Dimensions and Knockouts



EZM112225 / X / CUX, EZM312225 / X / CUX  
 EZM113225 / X / CUX, EZM313225 / X / CUX  
 EZMR112225 / X / CUX, EZMR312225 / X / CUX  
 EZMR113225 / X / CUX, EZMR313225 / X / CUX  
 EZMH112225 / X / CUX, EZMH312225 / X / CUX  
 EZMH113225 / X / CUX, EZMH313225 / X / CUX



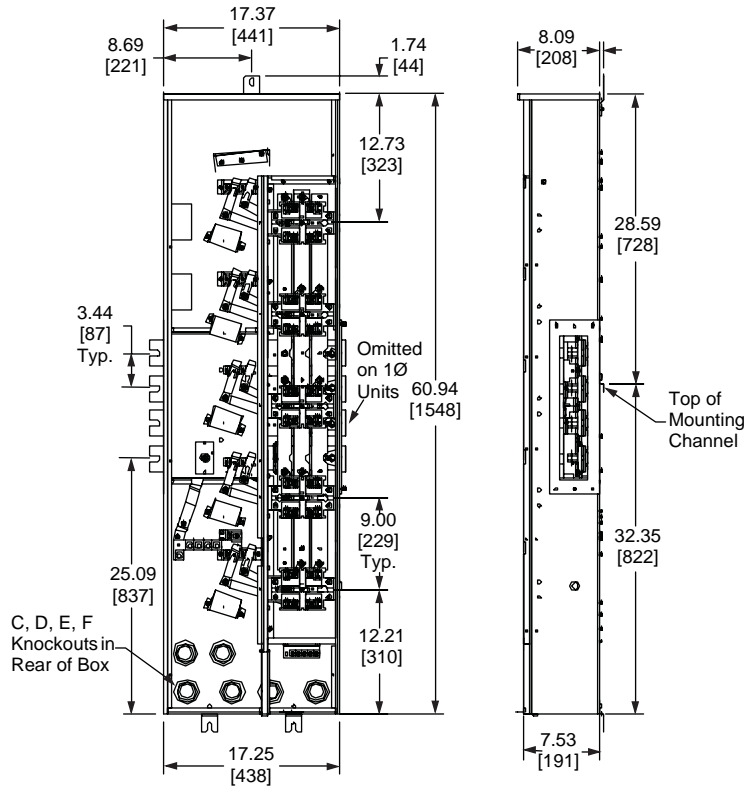
EZM114225 / X / CUX, EZM314225 / X / CUX  
 EZMR114225 / X / CUX, EZMR314225 / X / CUX  
 EZMH114225 / X / CUX, EZMH314225 / X / CUX

Knockouts				
Symbol	Conduit Size		Hole Diameter	
	in.	[mm]	in.	[mm]
A	0.50	13	0.88	22
B	0.75	19	1.25	32
C	1.00	25	1.38	35
D	1.25	32	1.75	44
E	1.50	38	2.00	51
F	2.00	51	2.50	64
G	2.50	64	3.00	76
H	3.00	76	3.63	92
I	3.50	89	4.13	105
J	4.00	102	4.63	118

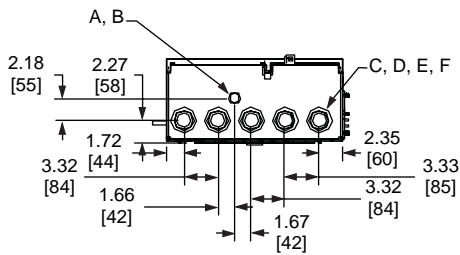
Dimensions: in. [mm]

# EZ Meter-Pak<sup>®</sup> Meter Centers

## Dimensions and Knockouts



**NOTE:** Shown with covers removed.



EZM115225 / CU, EZM315225 / CU  
 EZMR115225 / CU, EZMR315225 / CU  
 EZMH115225 / CU, EZMH315225 / CU

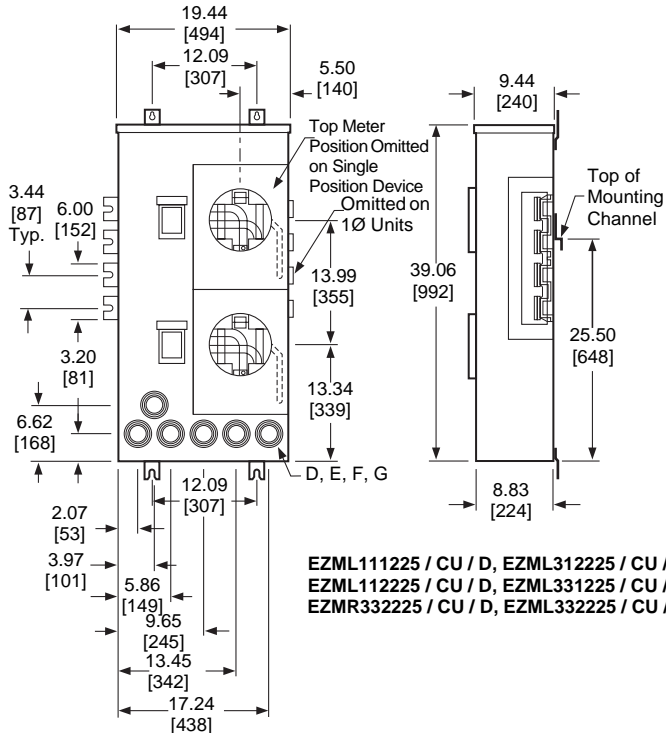
Knockouts				
Symbol	Conduit Size		Hole Diameter	
	in.	[mm]	in.	[mm]
A	0.50	13	0.88	22
B	0.75	19	1.25	32
C	1.00	25	1.38	35
D	1.25	32	1.75	44
E	1.50	38	2.00	51
F	2.00	51	2.50	64
G	2.50	64	3.00	76
H	3.00	76	3.63	92
I	3.50	89	4.13	105
J	4.00	102	4.63	118

Dimensions: in. [mm]



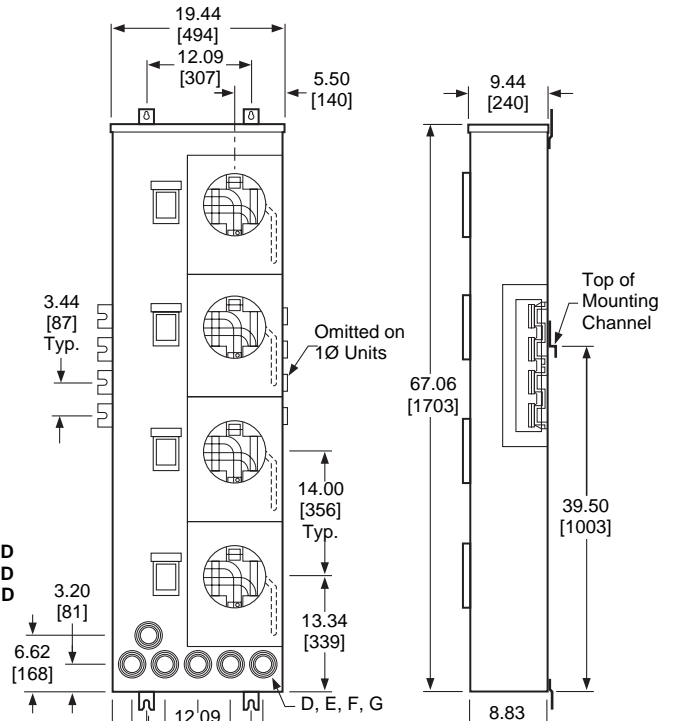
# EZ Meter-Pak® Meter Centers

## Dimensions and Knockouts

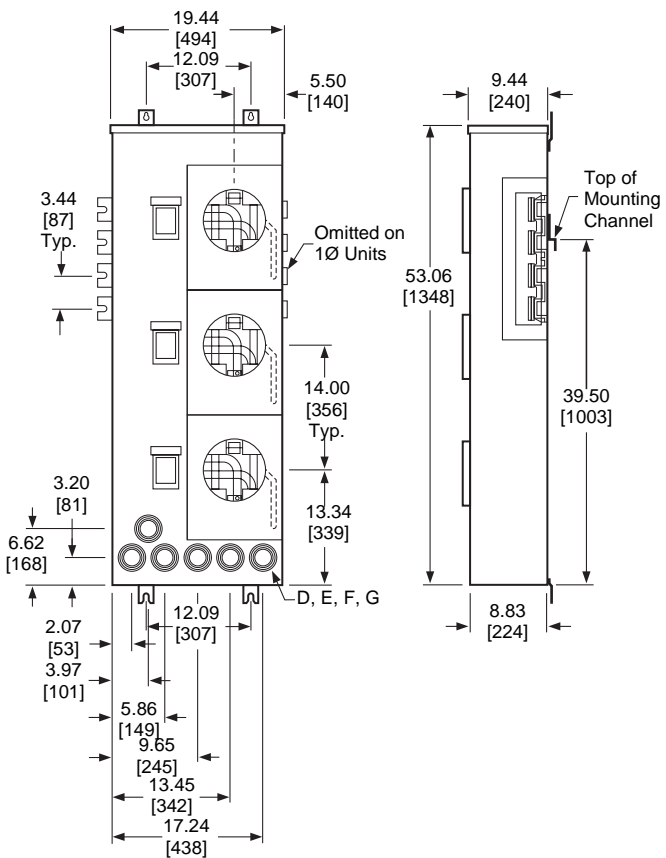


**EZML112225 / CU / D, EZML312225 / CU / D  
EZML112225 / CU / D, EZML331225 / CU / D  
EZMR332225 / CU / D, EZML332225 / CU / D**

(See Typical Bottom View)

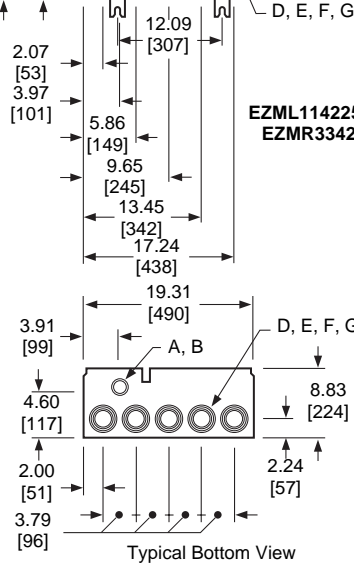


**EZML114225 / CU / D, EZML314225 / CU / D  
EZMR334225 / CU, EZML334225 / CU / D**



**EZML113225 / CU / D, EZML313225 / CU / D  
EZMR333225 / CU, EZML333225 / CU / D**

(See Typical Bottom View)

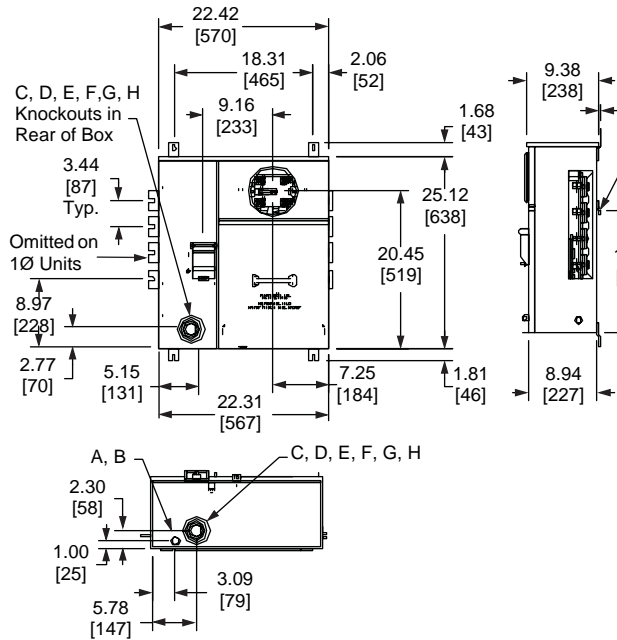


Dimensions: in. [mm]

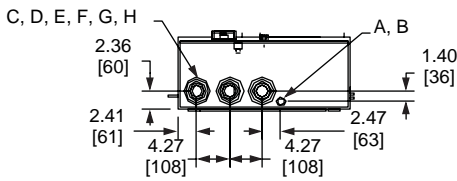
Knockouts				
Symbol	Conduit Size		Hole Diameter	
	in.	[mm]	in.	[mm]
A	0.50	13	0.88	22
B	0.75	19	1.25	32
C	1.00	25	1.38	35
D	1.25	32	1.75	44
E	1.50	38	2.00	51
F	2.00	51	2.50	64
G	2.50	64	3.00	76
H	3.00	76	3.63	92
I	3.50	89	4.13	105
J	4.00	102	4.63	118

# EZ Meter-Pak® Meter Centers

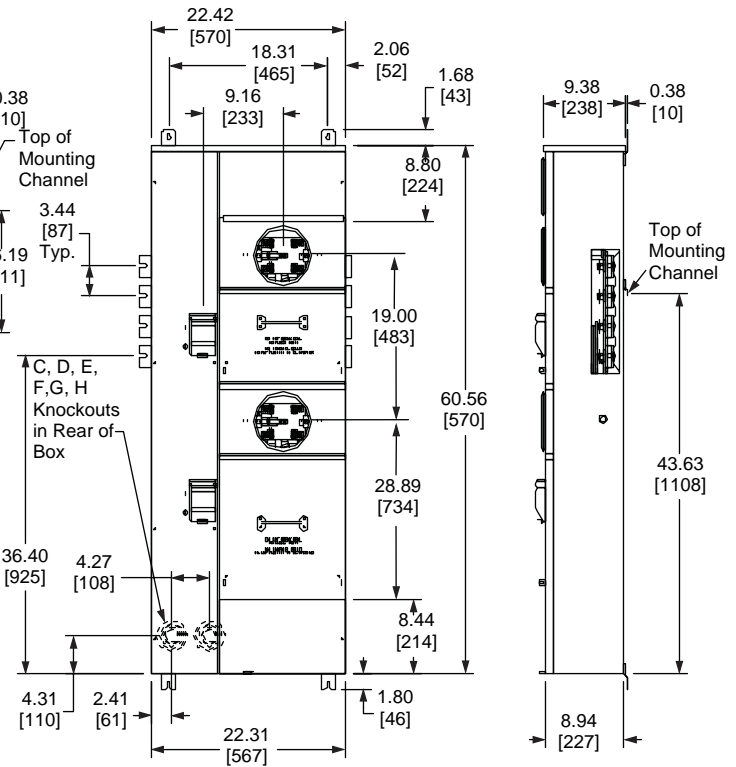
## Dimensions and Knockouts



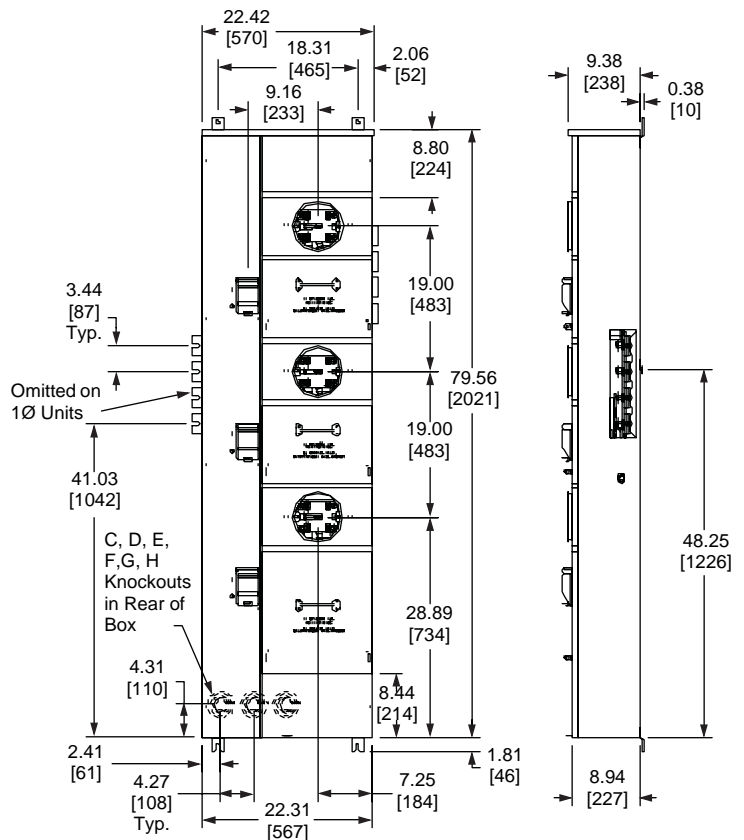
EZMT111225, EZMT311225, EZMT331225



Typical endwall for 2 and 3 positions.



EZMT112225, EZMT312225, EZMT332225

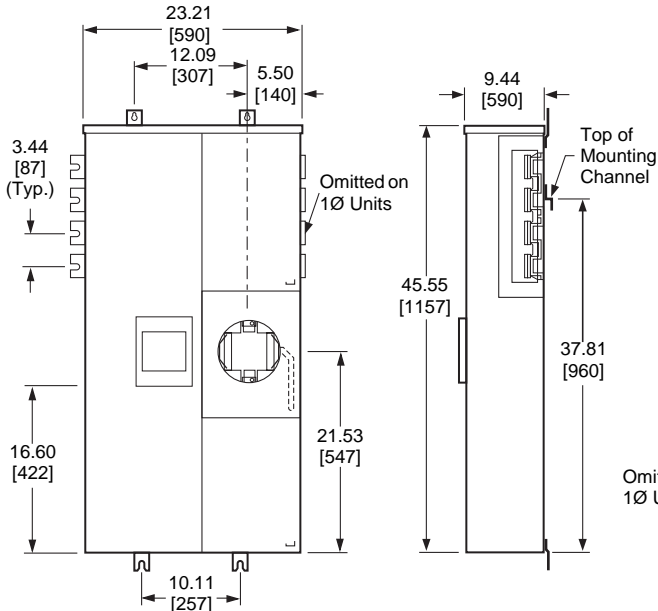


EZMT113225, EZMT313225, EZMT333225

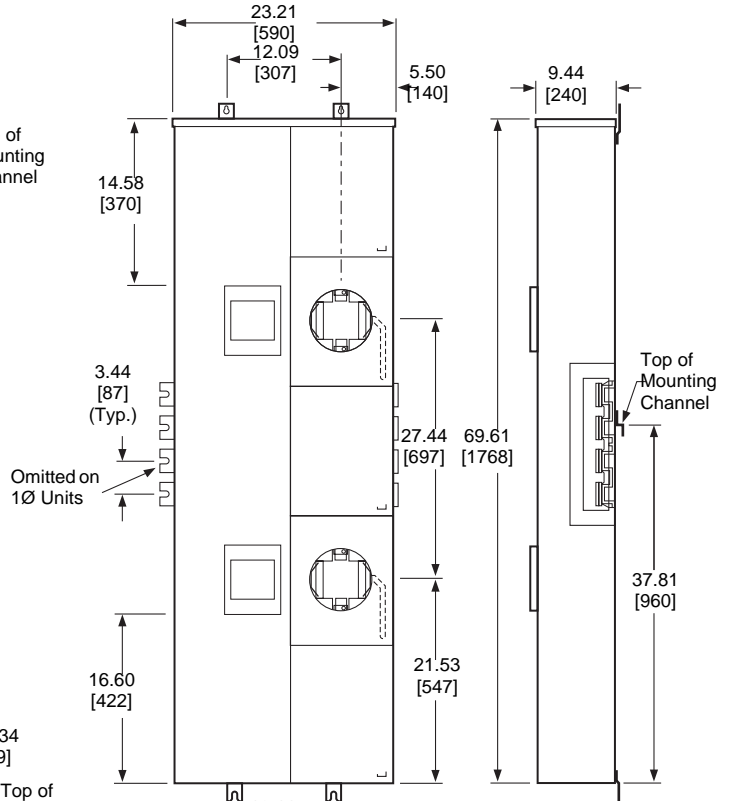
Dimensions: in. [mm]

Knockouts				
Symbol	Conduit Size		Hole Diameter	
	in.	[mm]	in.	[mm]
A	0.50	13	0.88	22
B	0.75	19	1.25	32
C	1.00	25	1.38	35
D	1.25	32	1.75	44
E	1.50	38	2.00	51
F	2.00	51	2.50	64
G	2.50	64	3.00	76
H	3.00	76	3.63	92
I	3.50	89	4.13	105
J	4.00	102	4.63	118

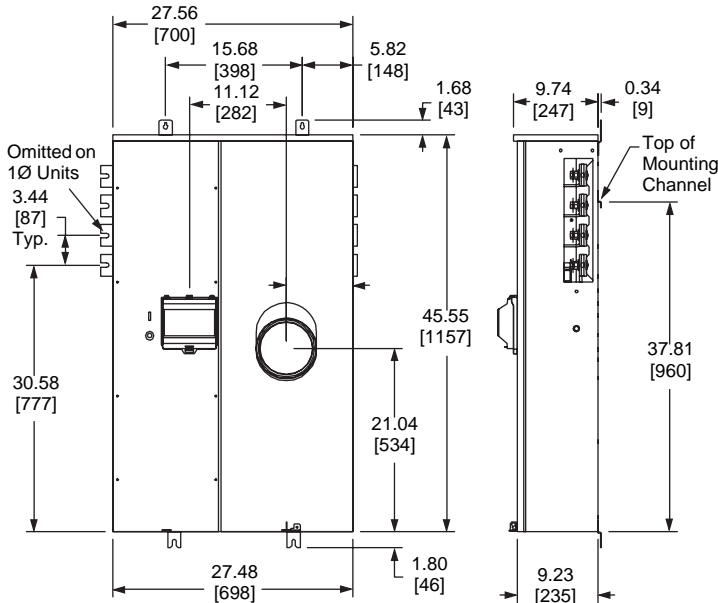
# EZ Meter-Pak<sup>®</sup> Meter Centers Dimensions and Knockouts



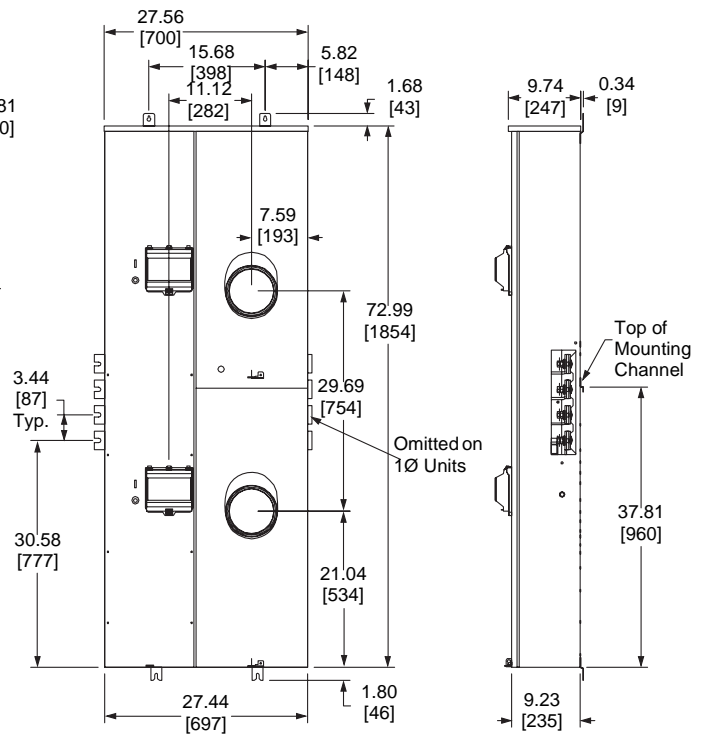
**EZML111400, EZML311400, EZML331400**



**EZML112400, EZML312400, EZML332400**



**EZMK111400, EZMK311400, EZMK331400**



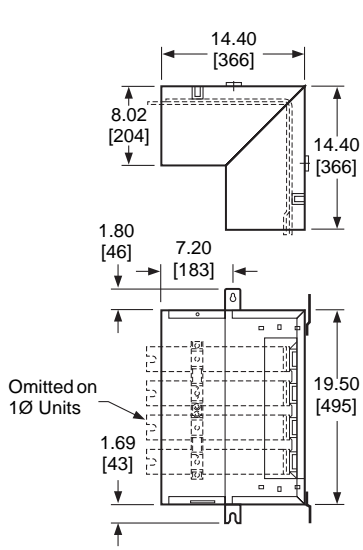
**EZMK112400, EZMK312400, EZMK332400**

**NOTE:** No knockouts provided on EZMK and 400 A EZML devices.

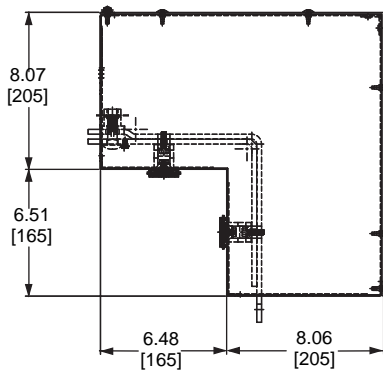
Dimensions: in. [mm]

# EZ Meter-Pak<sup>®</sup> Meter Centers

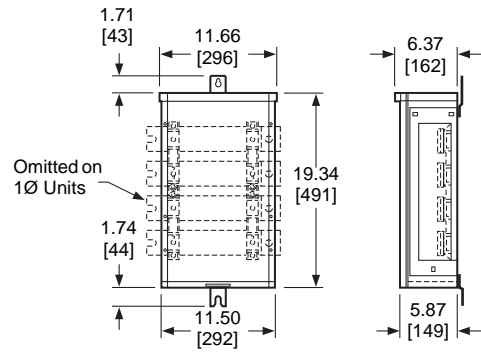
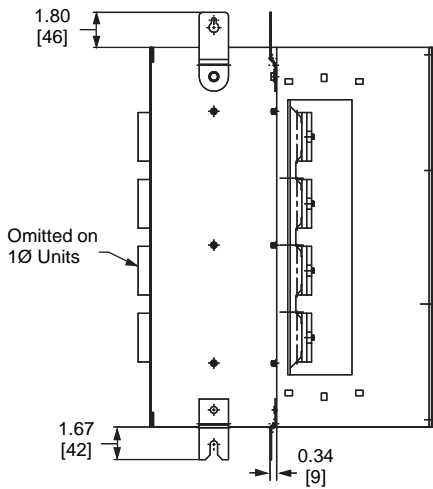
## Dimensions and Knockouts



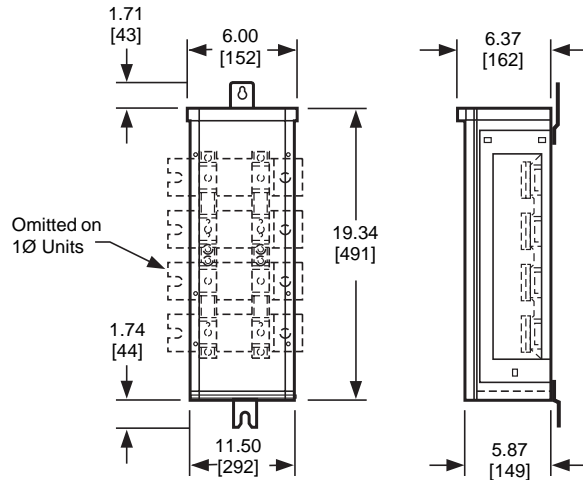
**EZM1CORNER  
EZM3CORNER  
NEMA Type 1  
(Indoor Only)**



**EZM1ELBOW  
EZM3ELBOW**



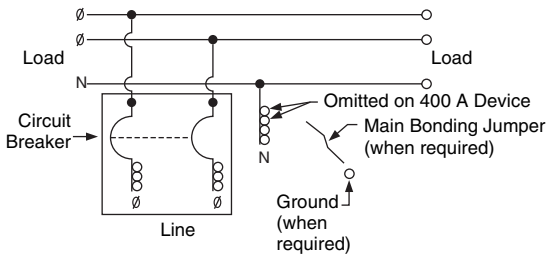
**EZM1EXT  
EZM3EXT**



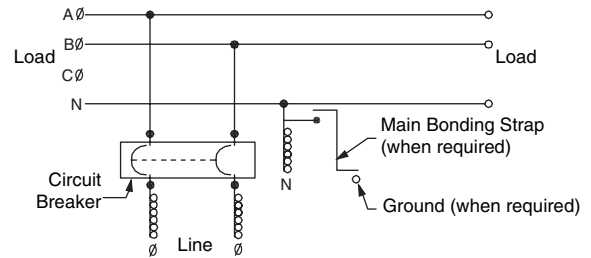
**EZM1EXT6  
EZM3EXT6**

Dimensions: in.  
[mm]

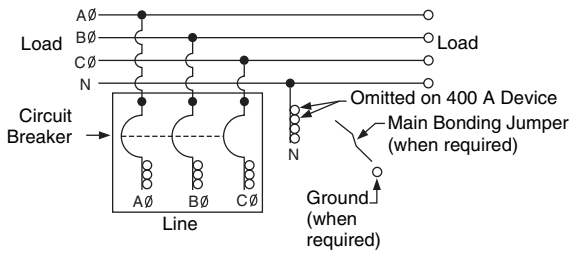
**Wiring Diagrams**



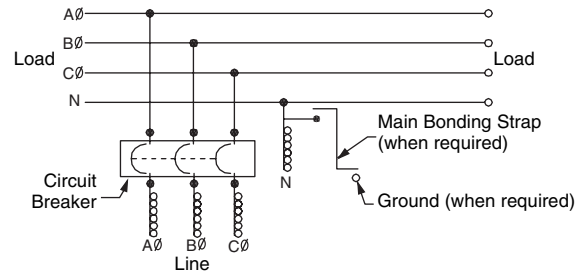
**EZM1400CB, EZM1600CB, EZM1800CB, EZM11000CB**



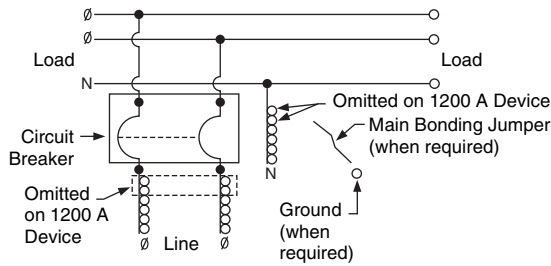
**EZM12000CB**



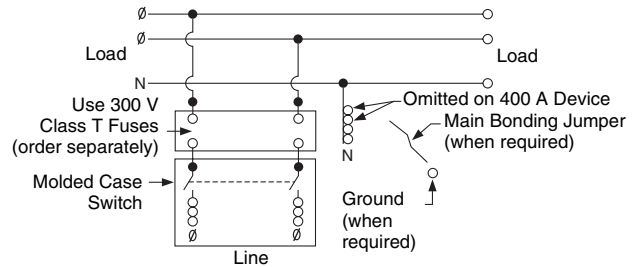
**EZM3400CB, EZM3600CB, EZM3800CB, EZM31000CB**



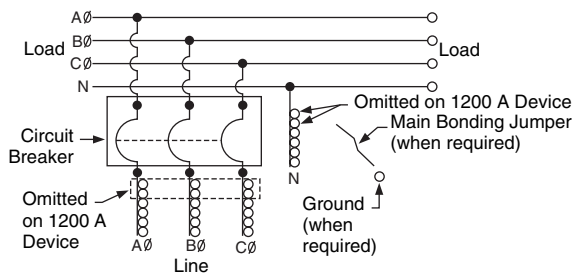
**EZM32000CB**



**EZM11200CB, EZM11600CB,**



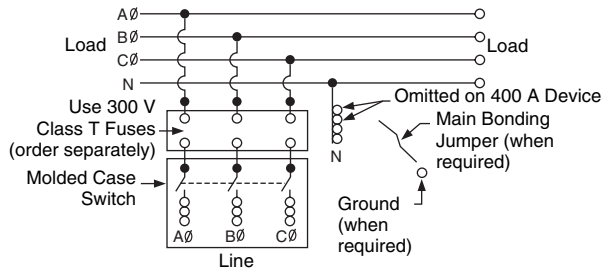
**EZM1400FS, EZM1600FS, EZM1800FS**



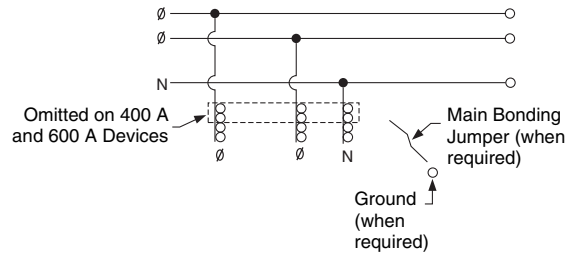
**EZM31200CB, EZM31600CB**

# EZ Meter-Pak<sup>®</sup> Meter Centers

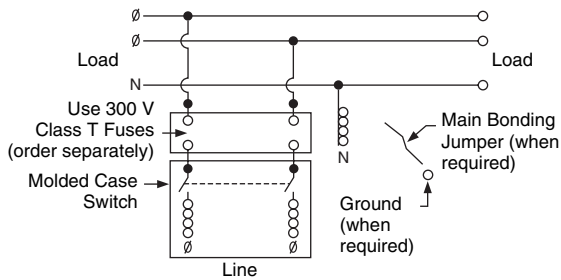
## Wiring Diagrams



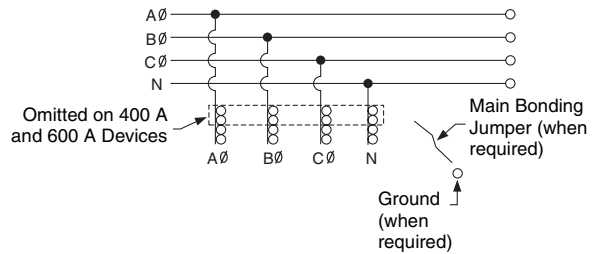
**EZM3400FS, EZM3600FS, EZM3800FS**



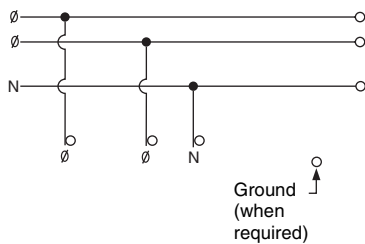
**EZM1400TB, EZM1600TB,  
EZM1800TB, EZM1800TCU**



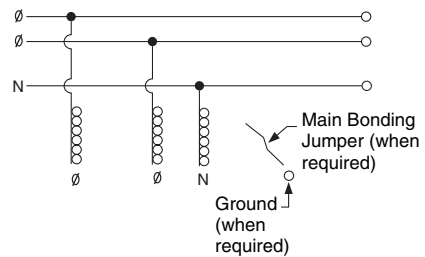
**EZM11200FS**



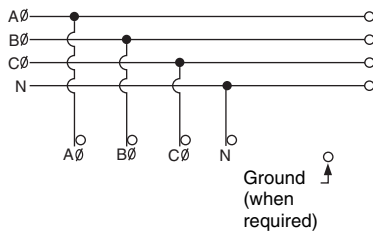
**EZM3400TB, EZM3600TB, EZM3800TB**



**EZM1225TB**

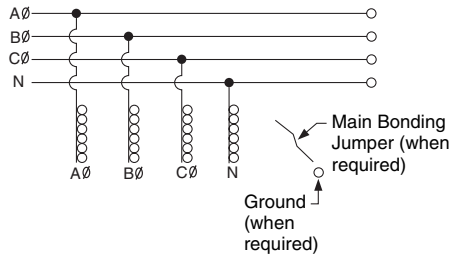


**EZM11600TB**

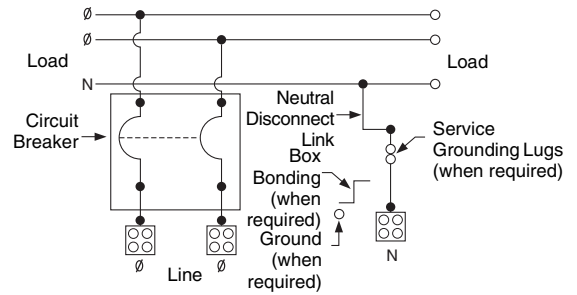


**EZM3225TB**

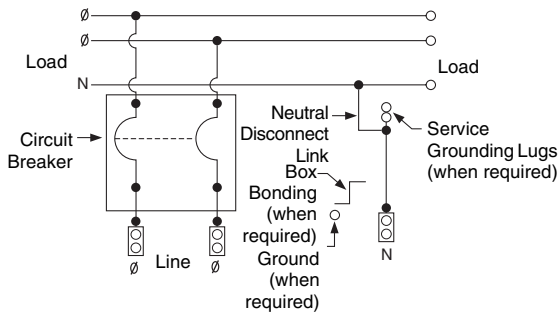
# EZ Meter-Pak<sup>®</sup> Meter Centers Wiring Diagrams



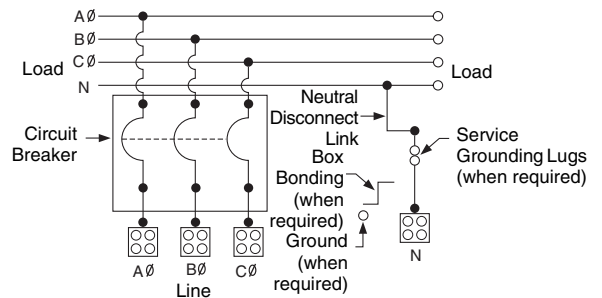
**EZM31600TB**



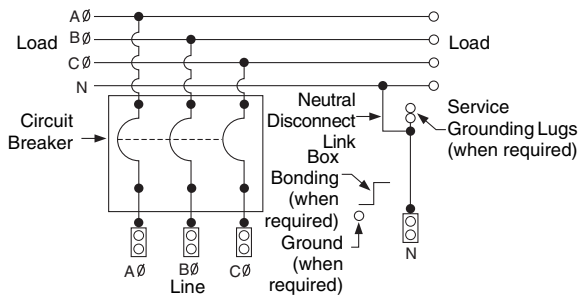
**EZM1600CBU, EZM1800CBU**



**EZM1400CBU**



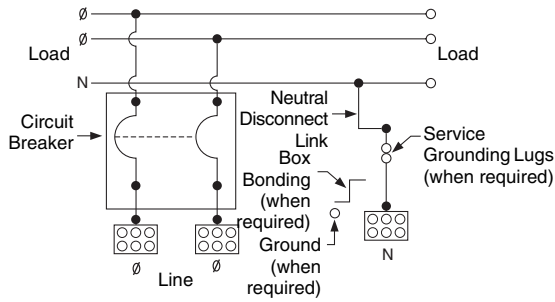
**EZM3600CBU, EZM3800CBU**



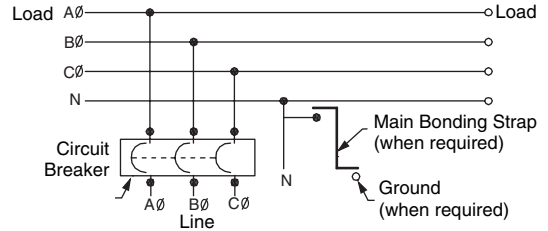
**EZM3400CBU**

# EZ Meter-Pak<sup>®</sup> Meter Centers

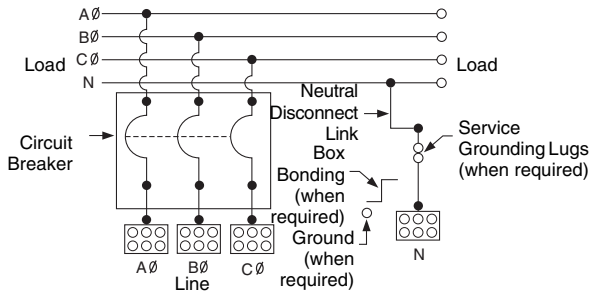
## Wiring Diagrams



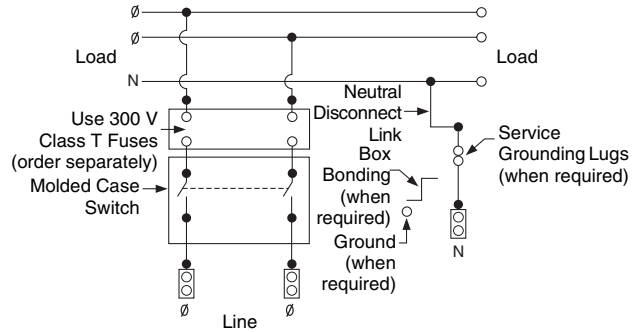
**EZM11000CBU, EZM11200CBU**



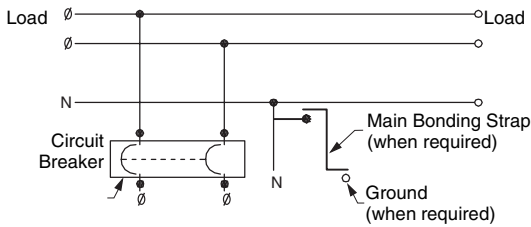
**EZM31600CBU, EZM32000CBU**



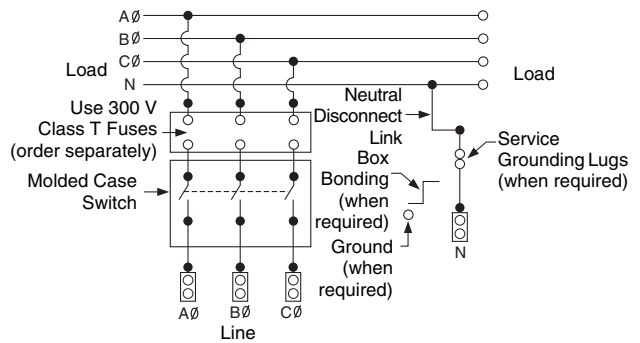
**EZM31000CBU, EZM31200CBU**



**EZM1400FSU**



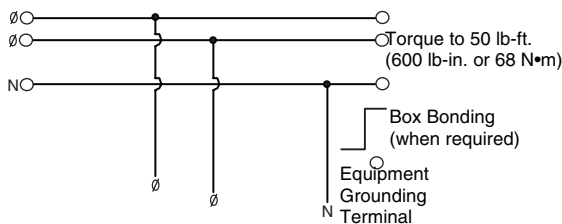
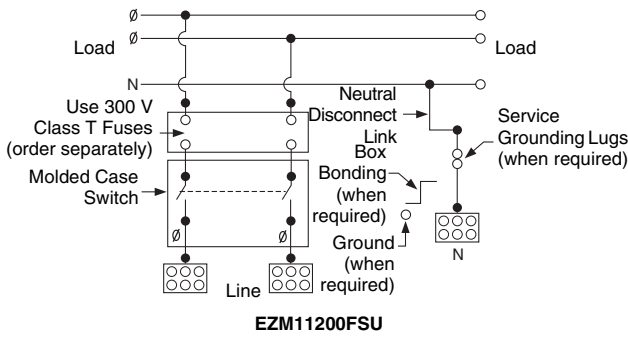
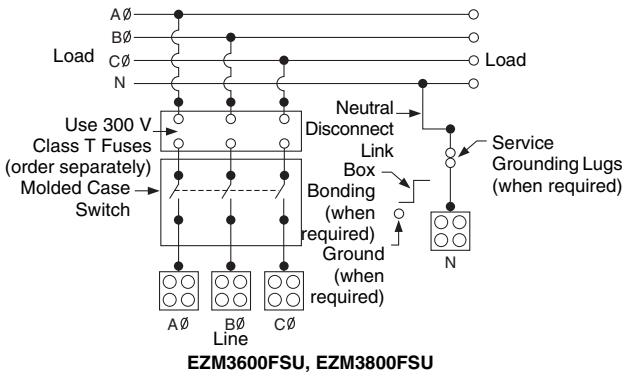
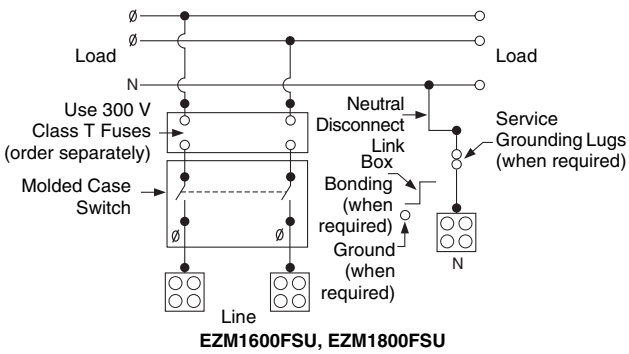
**EZM11600CBU, EZM12000CBU**



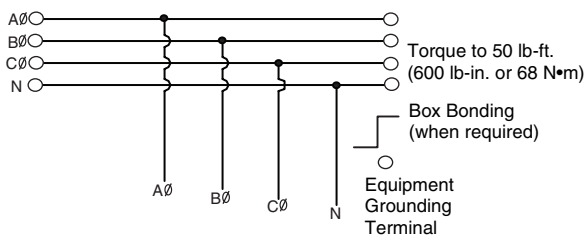
**EZM3400FSU**



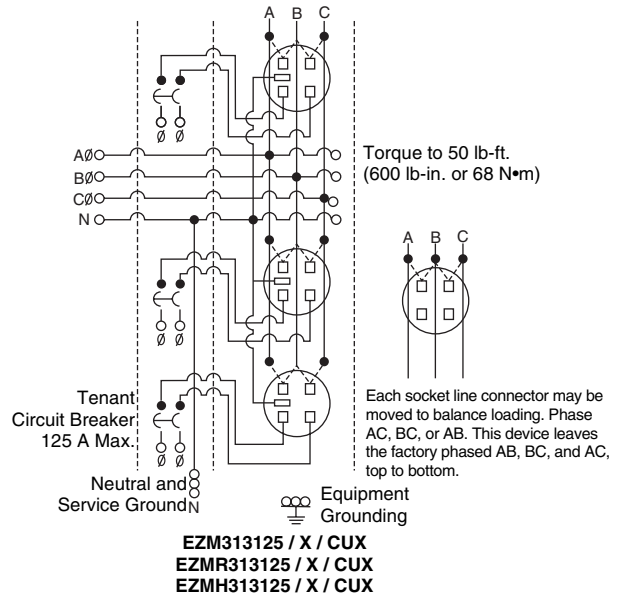
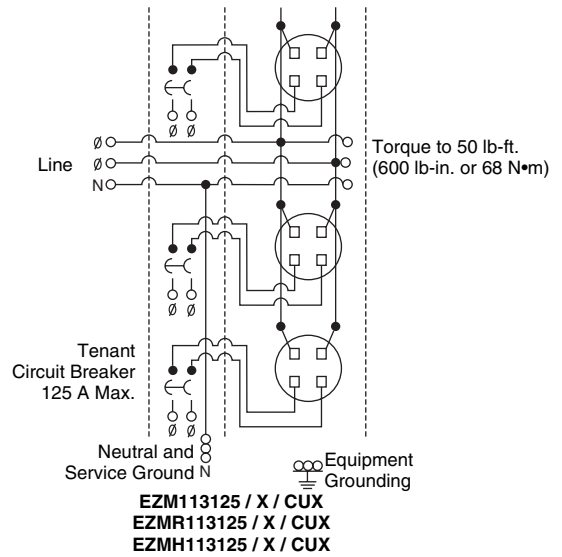
# EZ Meter-Pak® Meter Centers Wiring Diagrams



**EZM1400TBU, EZM1800TBU, EZM11200TBU, EZM12000TB**

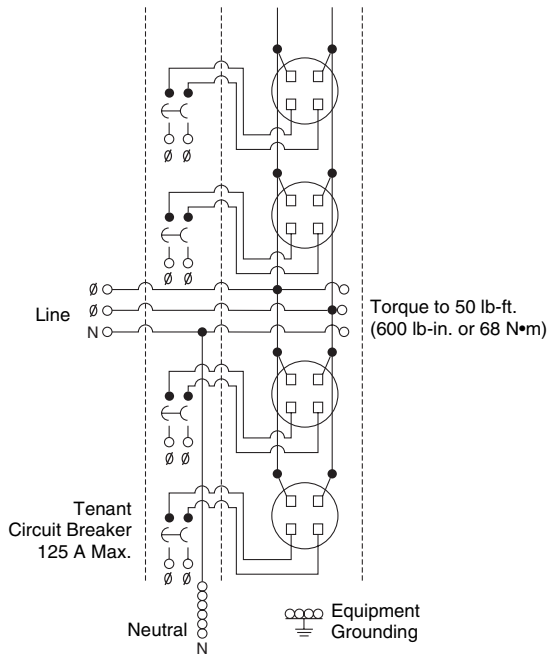


**EZM3400TBU, EZM3800TBU, EZM31200TBU, EZM32000TB**

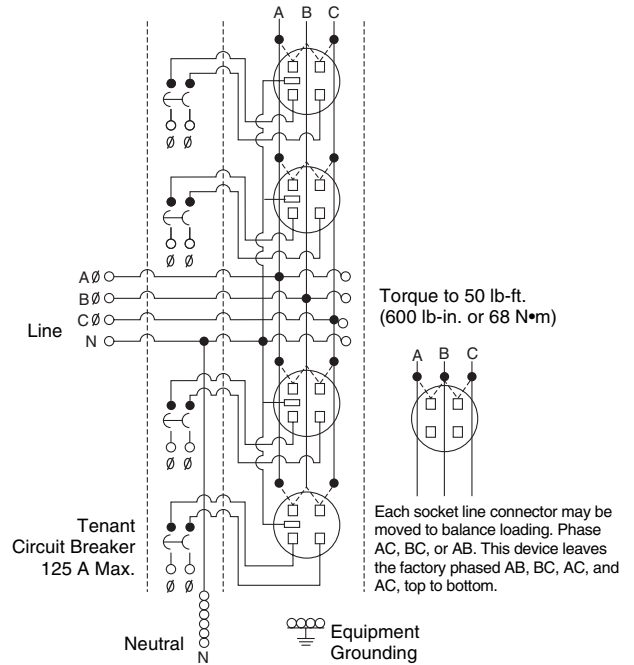


# EZ Meter-Pak<sup>®</sup> Meter Centers

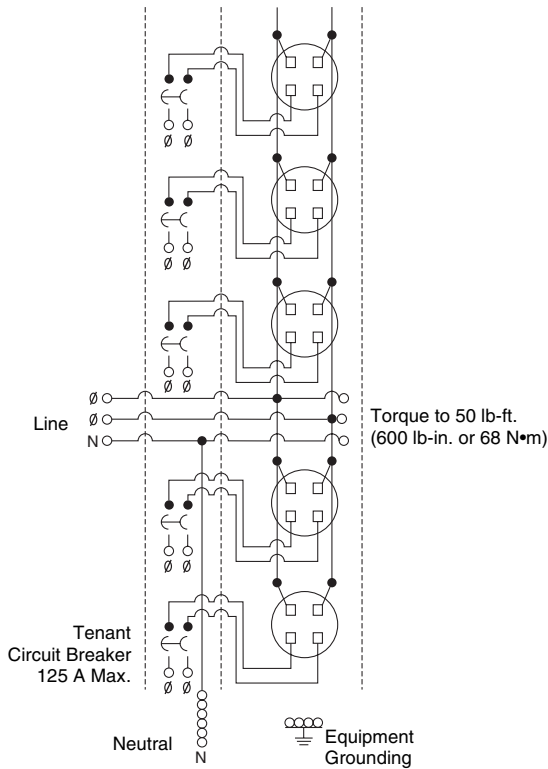
## Wiring Diagrams



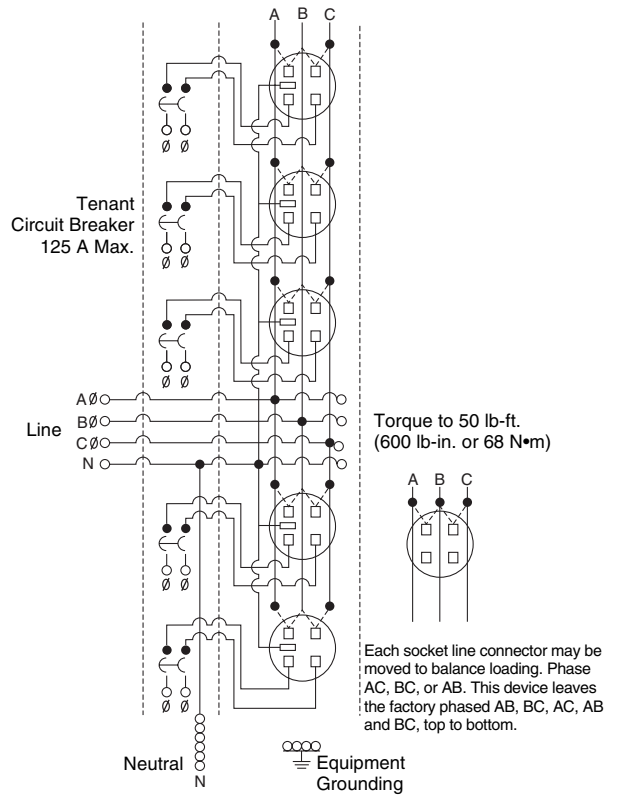
**EZM114125 / X / CUX**  
**EZMR114125 / X / CUX**  
**EZMH114125 / X / CUX**



**EZM314125 / X / CUX**  
**EZMR314125 / X / CUX**  
**EZMH314125 / X / CUX**

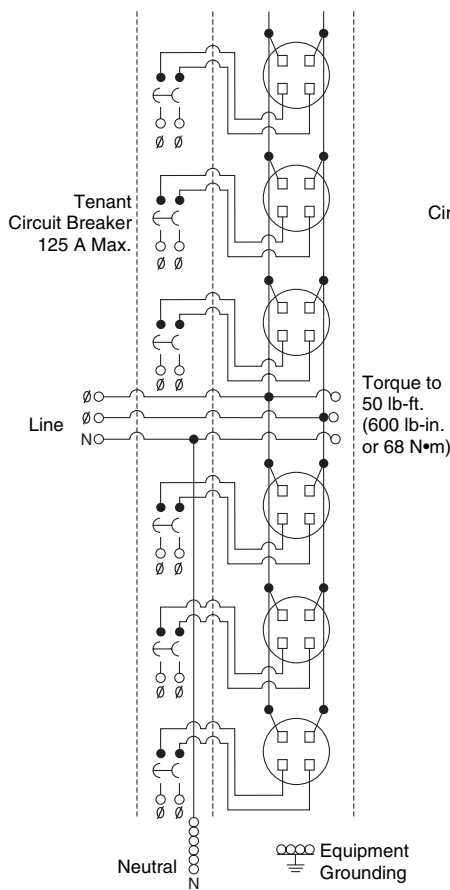


**EZM115125 / X / CUX**  
**EZMR115125 / X / CUX**  
**EZMH115125 / X / CUX**

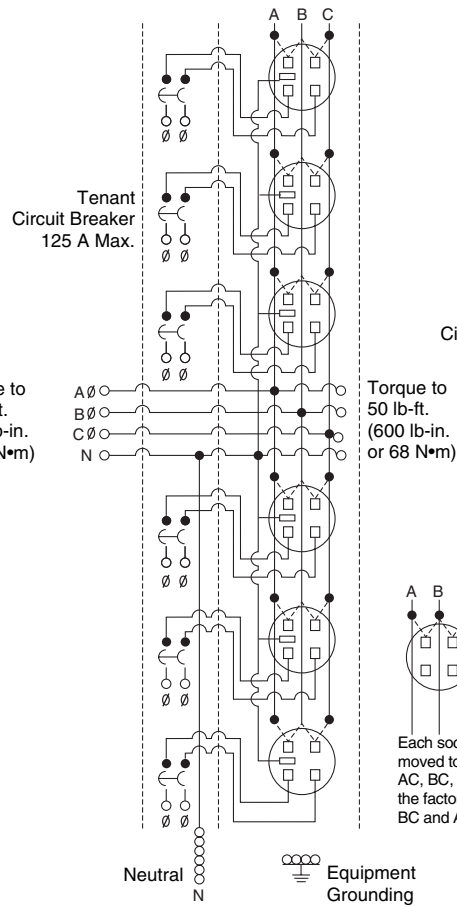


**EZM315125 / X / CUX**  
**EZMR315125 / X / CUX**  
**EZMH315125 / X / CUX**

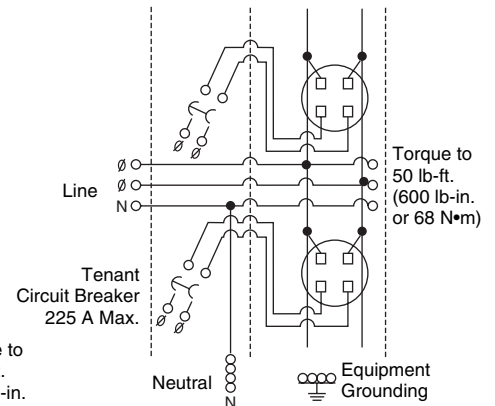
# EZ Meter-Pak<sup>®</sup> Meter Centers Wiring Diagrams



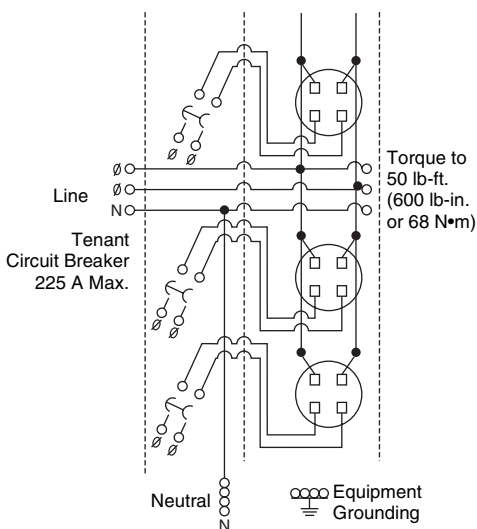
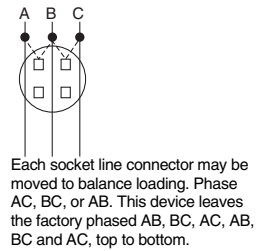
**EZM116125 / X / CUX**  
**EZMR116125 / X / CUX**  
**EZMH116125 / X / CUX**



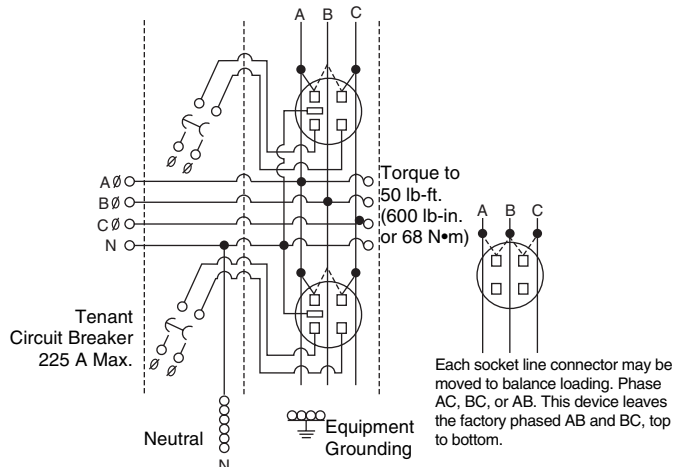
**EZM316125 / X / CUX**  
**EZMR316125 / X / CUX**  
**EZMH316125 / X / CUX**



**EZM112225 / X / CUX**  
**EZMR112225 / X / CUX**  
**EZMH112225 / X / CUX**

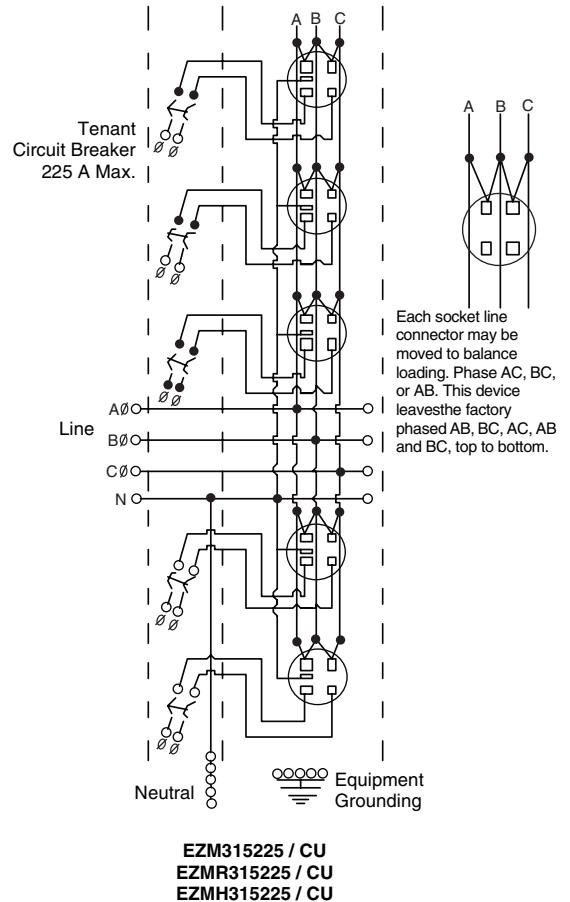
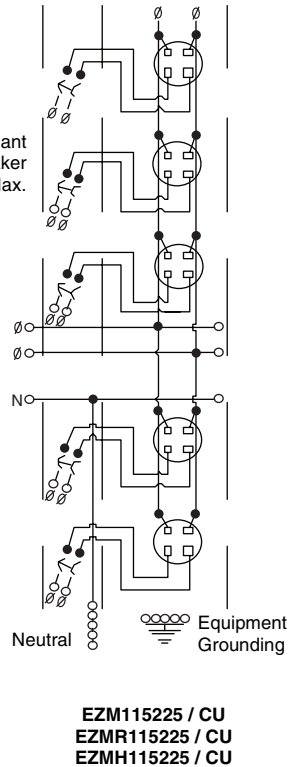
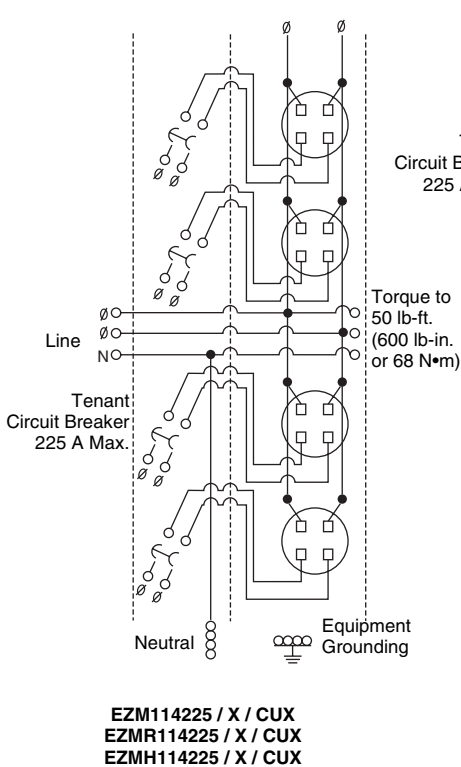
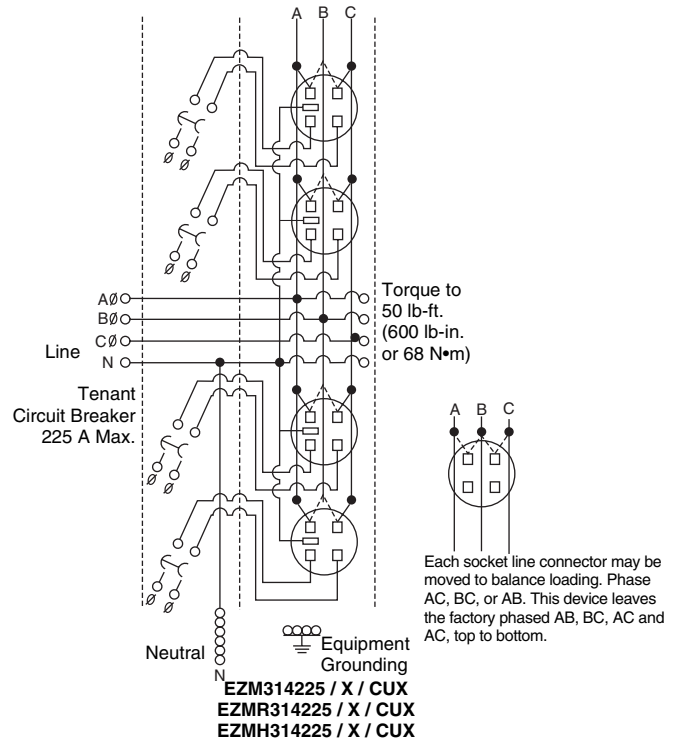
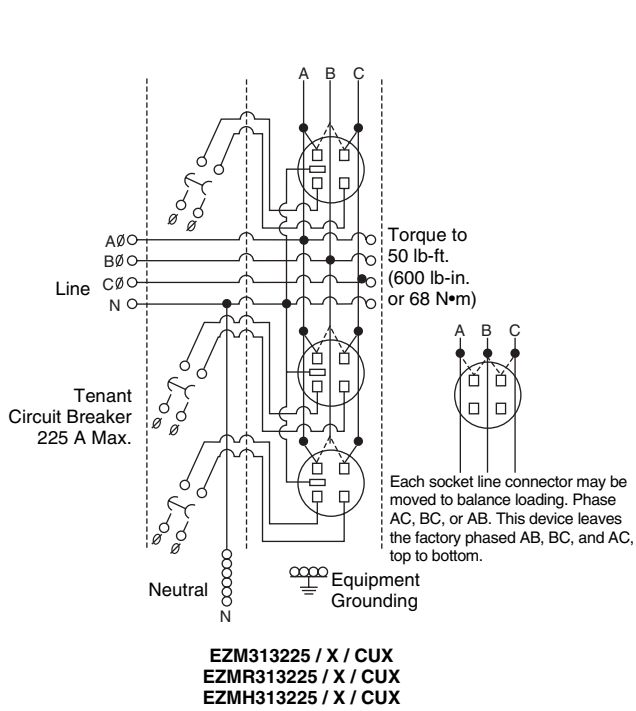


**EZM113225 / X / CUX**  
**EZMR113225 / X / CUX**  
**EZMH113225 / X / CUX**

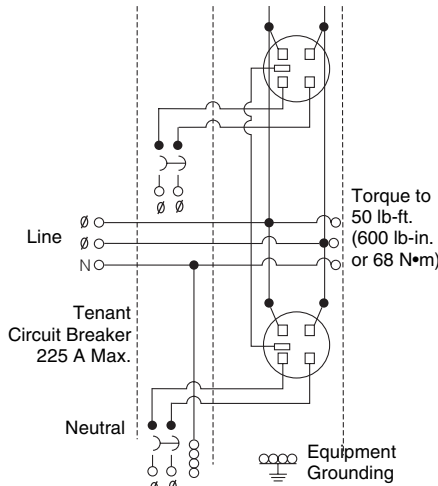


**EZM312225 / X / CUX**  
**EZMR312225 / X / CUX**  
**EZMH312225 / X / CUX**

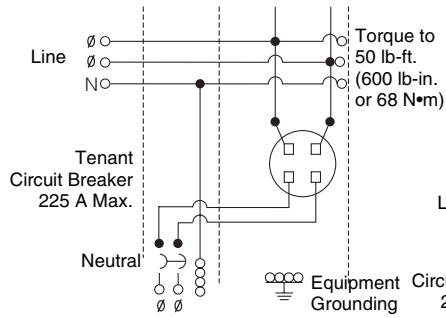
# EZ Meter-Pak<sup>®</sup> Meter Centers Wiring Diagrams



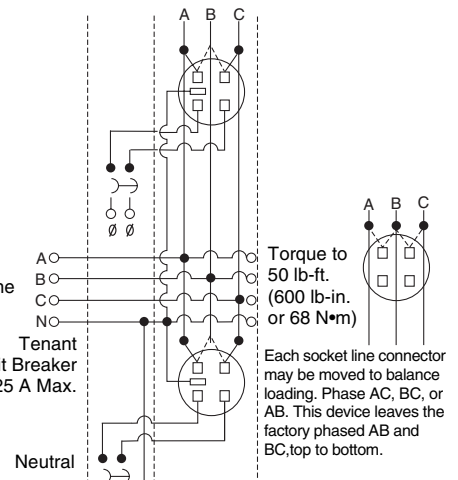
# EZ Meter-Pak<sup>®</sup> Meter Centers Wiring Diagrams



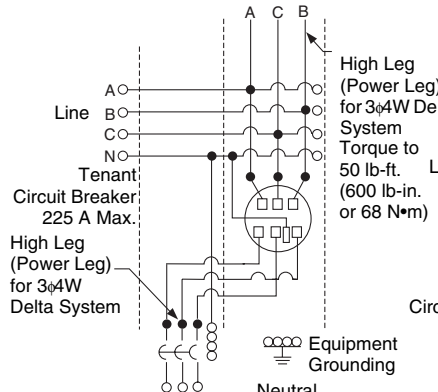
**EZML112225 / CU / D**



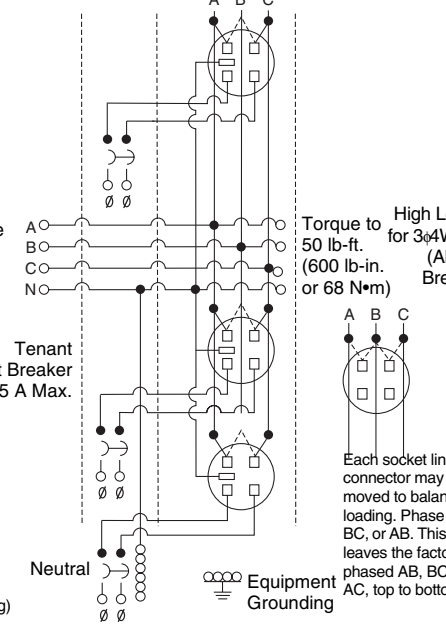
**EZML111225 / CU / D**



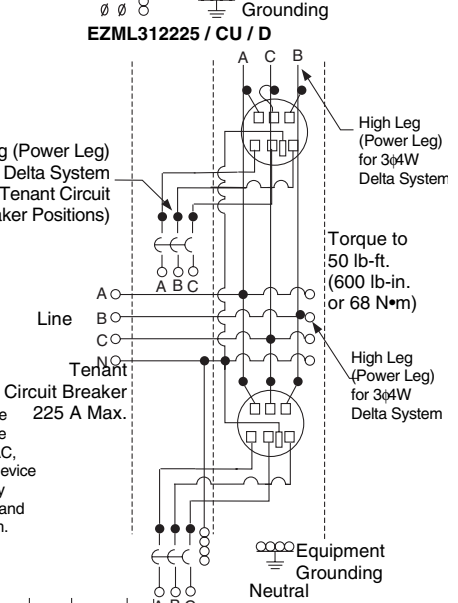
**EZML312225 / CU / D**



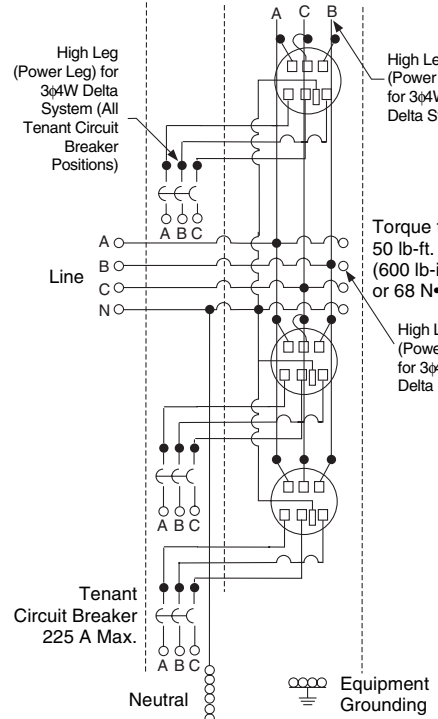
**EZML331225 / CU / D**



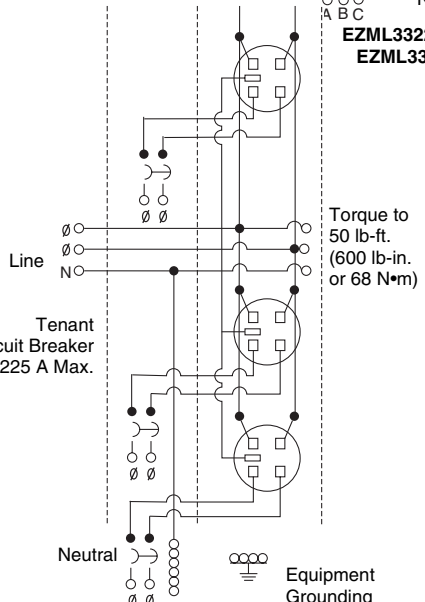
**EZML313225 / CU / D**



**EZML33225 / CU / D  
EZML33225 / CU**



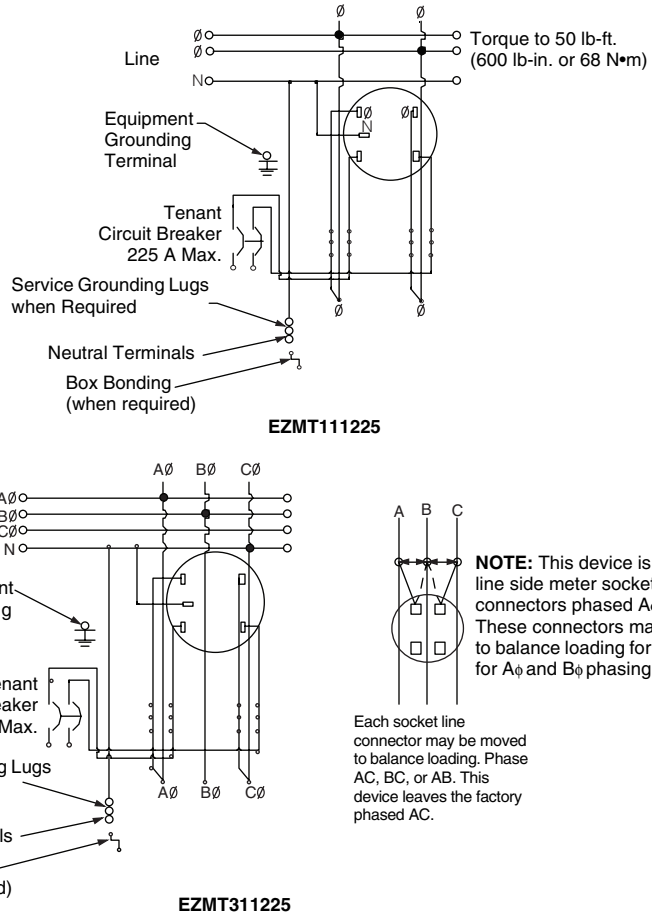
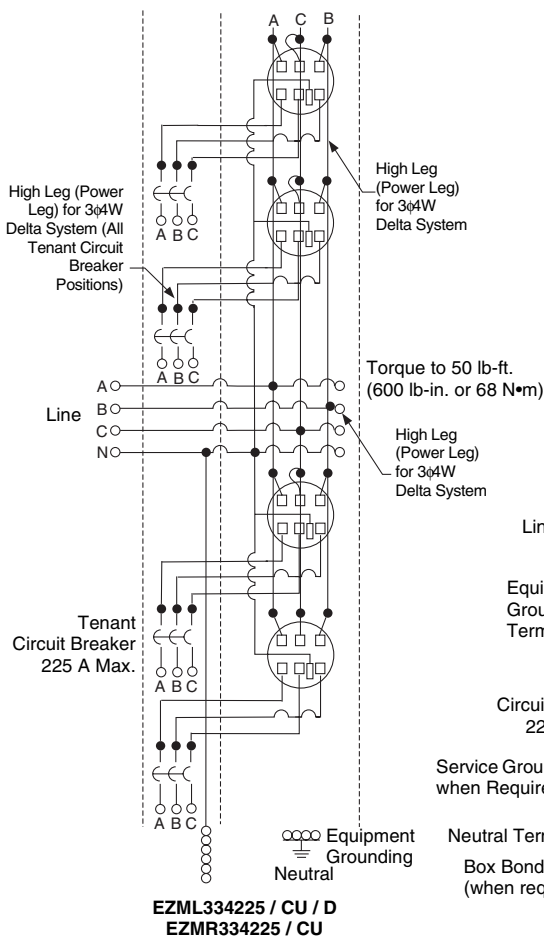
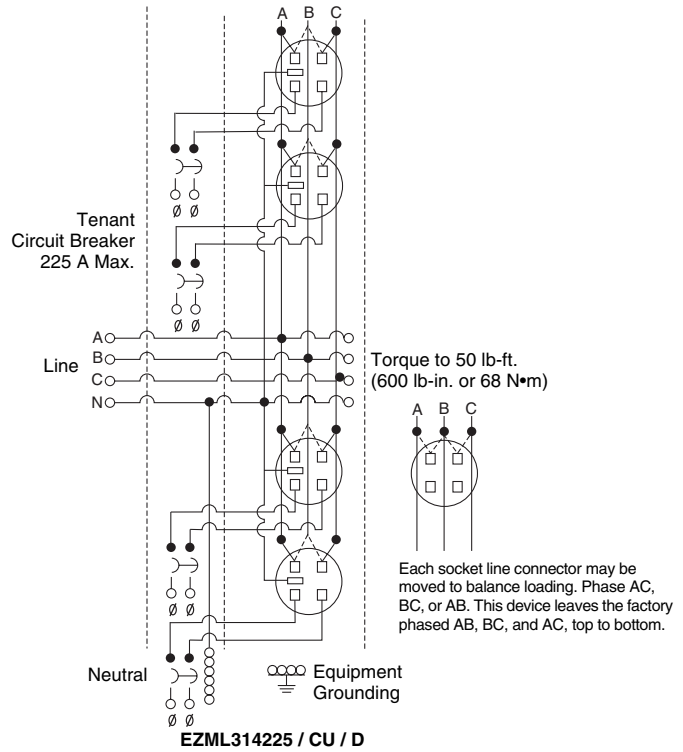
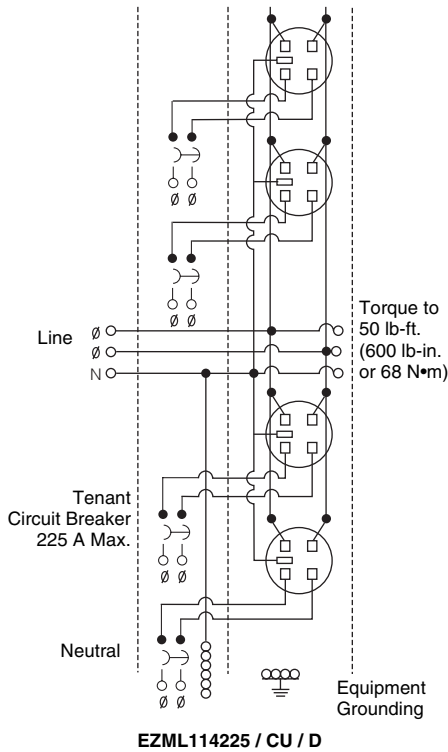
**EZML333225 / CU / D  
EZMR333225 / CU**



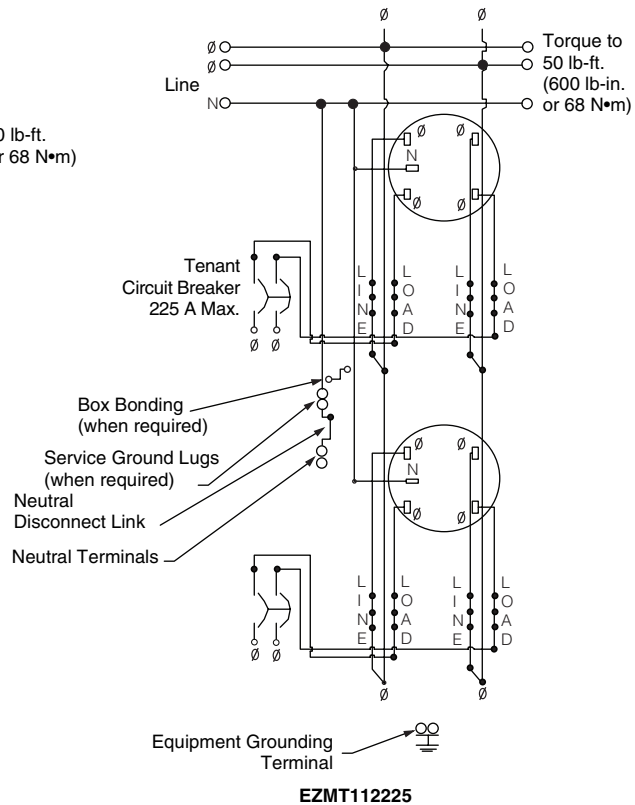
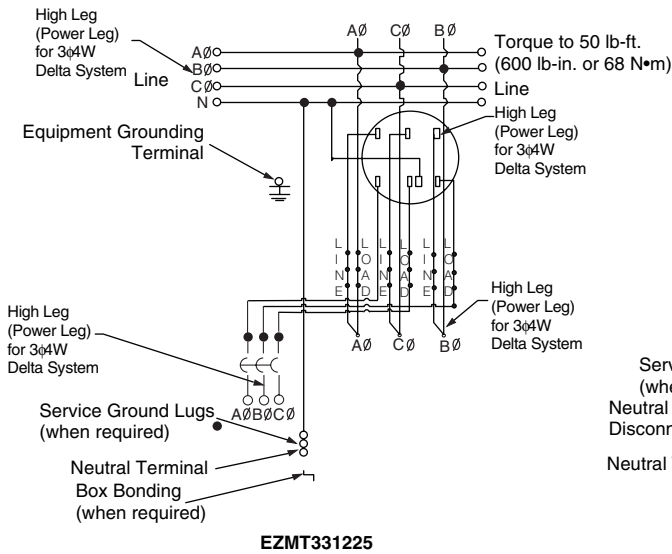
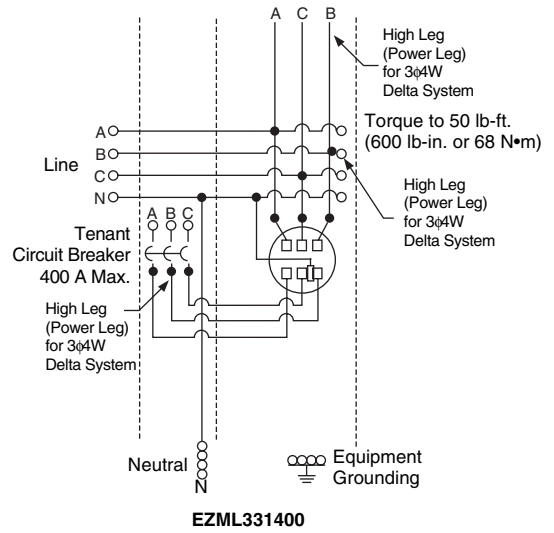
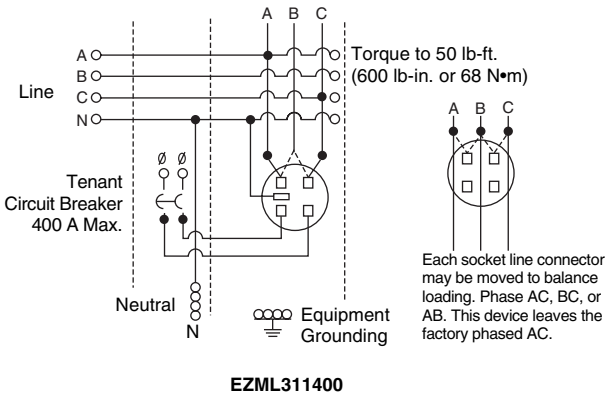
**EZML113225 / CU / D**

# EZ Meter-Pak<sup>®</sup> Meter Centers

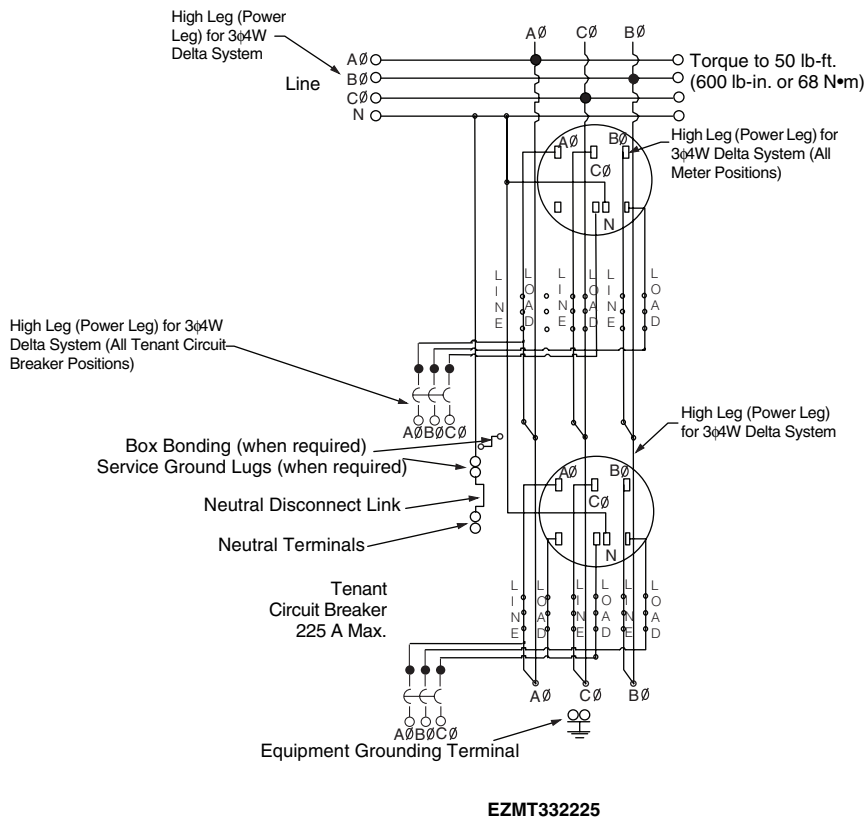
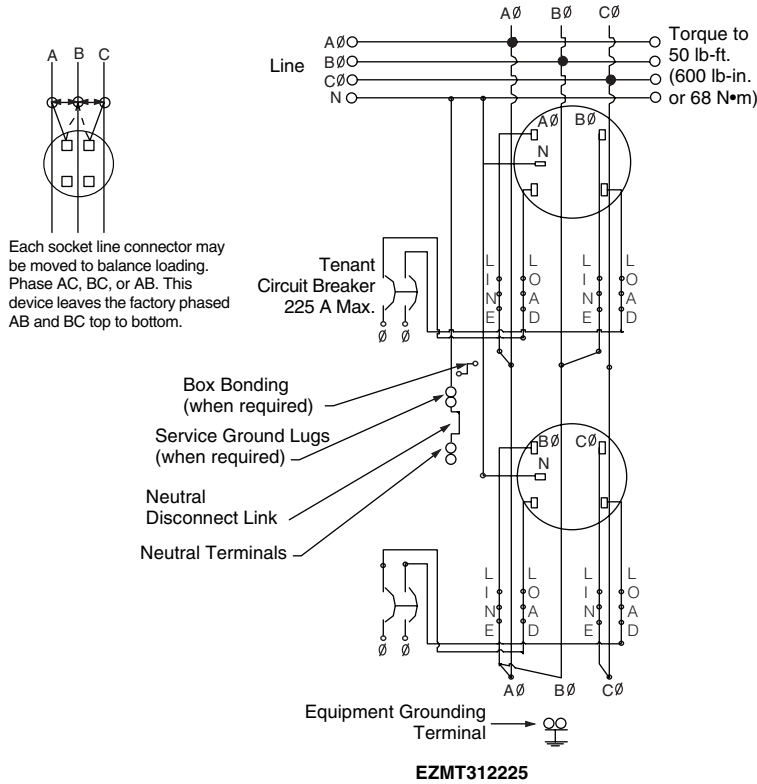
## Wiring Diagrams



# EZ Meter-Pak<sup>®</sup> Meter Centers Wiring Diagrams

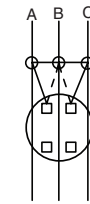
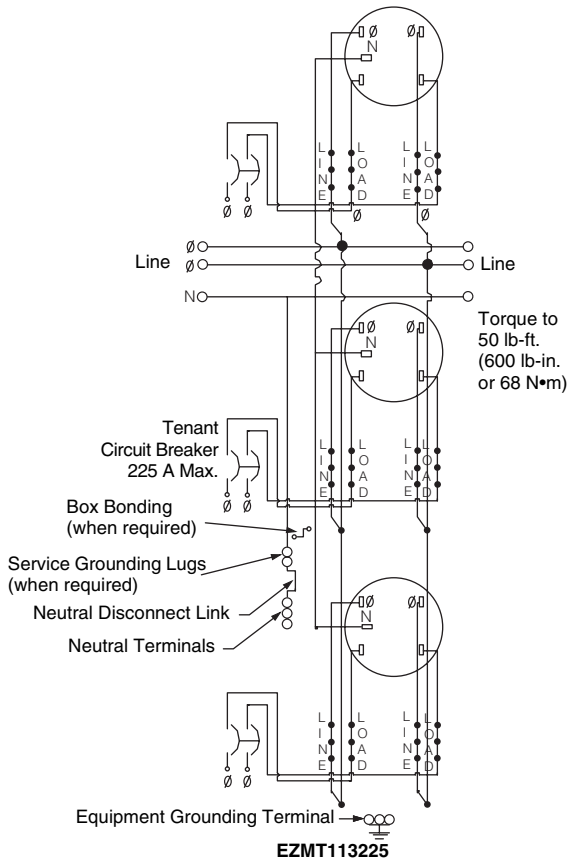


# EZ Meter-Pak<sup>®</sup> Meter Centers Wiring Diagrams

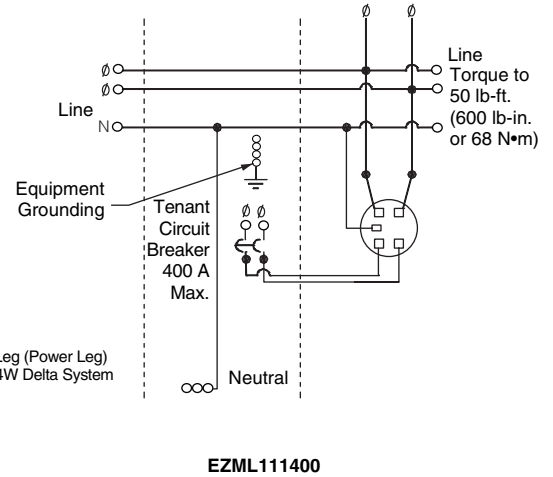
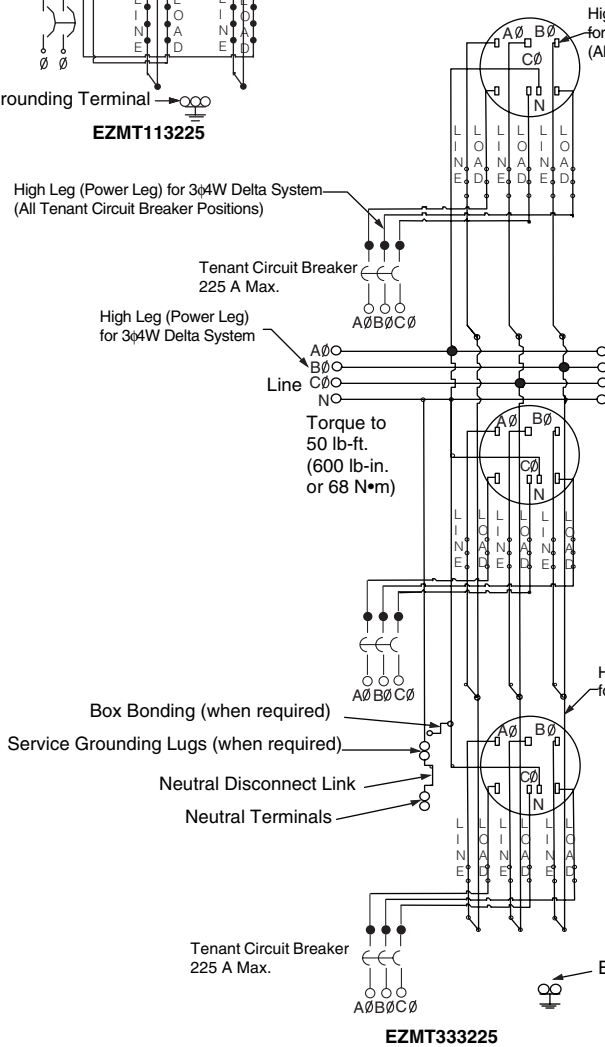
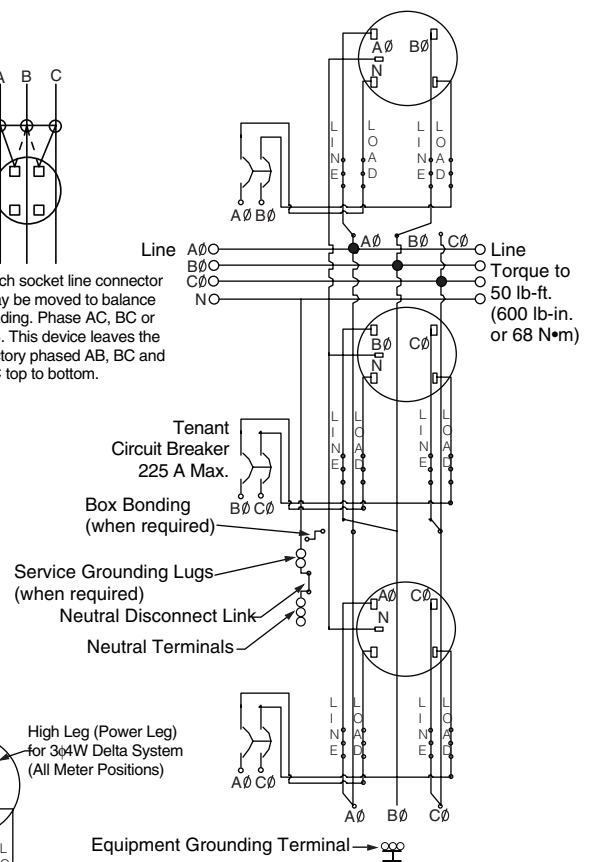




# EZ Meter-Pak<sup>®</sup> Meter Centers Wiring Diagrams

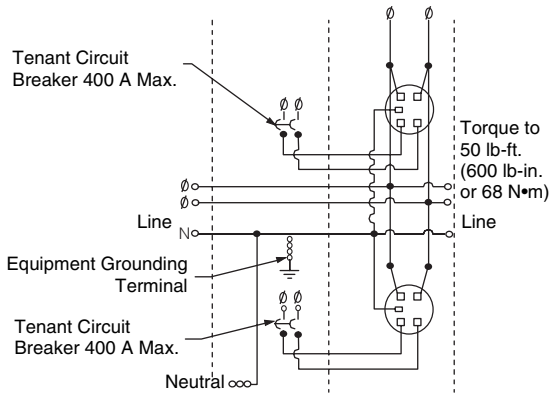


Each socket line connector may be moved to balance loading. Phase AC, BC or AB. This device leaves the factory phased AB, BC and AC top to bottom.

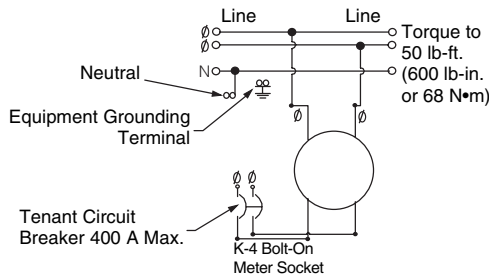


# EZ Meter-Pak<sup>®</sup> Meter Centers

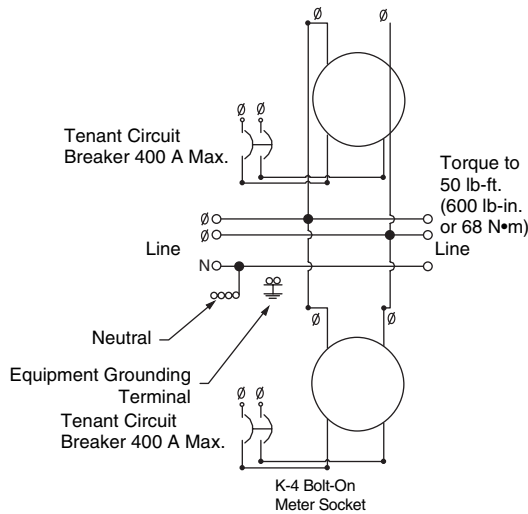
## Wiring Diagrams



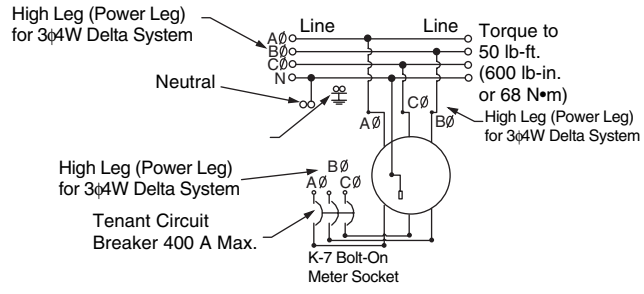
**EZML112400**



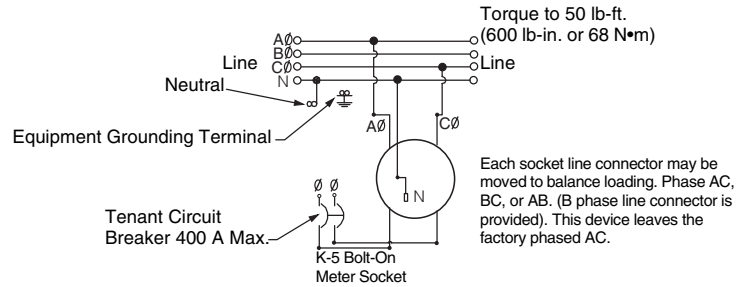
**EZMK111400**



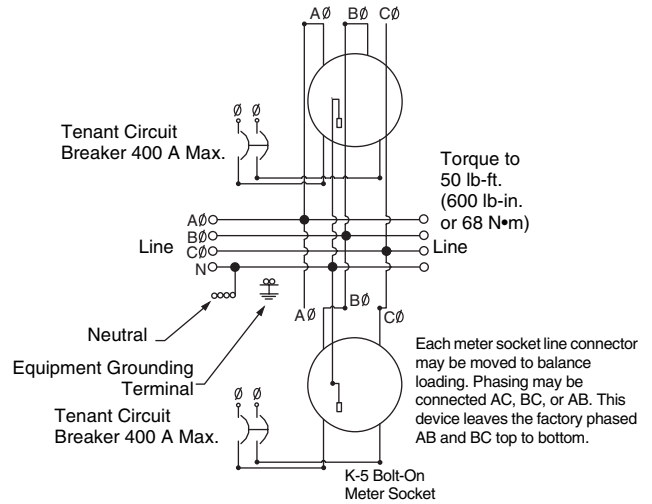
**EZMK112400**



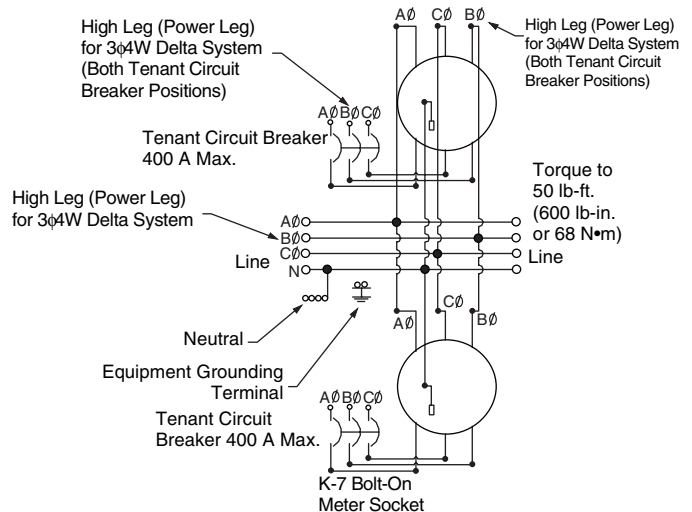
**EZMK331400**



**EZMK311400**



**EZMK312400**



**EZMK332400**



**Schneider Electric USA**

1601 Mercer Road  
Lexington, KY 40511 USA  
1-888-Square D  
1-888-778-2733  
[www.us.SquareD.com](http://www.us.SquareD.com)

Square D, EZ Meter-Pak, Visi-Tite, and QO are trademarks or registered trademarks of Schneider Electric and/or its affiliates in the United States and/or other countries. Other marks used herein are the property of their respective owners.

4100CT0701 © 2008 Schneider Electric All Rights Reserved  
Replaces 4100CT9801 dated May 1999.