

PowerPact™ B Multistandard

Catalogue 2018
Circuit breakers from 15 to 125 A



• WEB1 cat.2018

schneider-electric.com

Life Is On

Schneider
Electric



Green Premium™

Endorsing eco-friendly products in the industry



Green Premium™ Product

Green Premium is the only label that allows you to effectively develop and promote an environmental policy whilst preserving your business efficiency. This ecolabel guarantees compliance with up-to-date environmental regulations, but it does more than this.

Over 75% of Schneider Electric manufactured products have been awarded the Green Premium ecolabel



Discover what we mean by green ...

Check your products!

Schneider Electric's Green Premium ecolabel is committed to offering transparency, by disclosing extensive and reliable information related to the environmental impact of its products:

RoHS

Schneider Electric products are subject to RoHS requirements at a worldwide level, even for the many products that are not required to comply with the terms of the regulation. Compliance certificates are available for products that fulfil the criteria of this European initiative, which aims to eliminate hazardous substances.

REACH

Schneider Electric applies the strict REACH regulation on its products at a worldwide level, and discloses extensive information concerning the presence of SVHC (Substances of Very High Concern) in all of its products.

PEP: Product Environmental Profile

Schneider Electric publishes complete set of environmental data, including carbon footprint and energy consumption data for each of the lifecycle phases on all of its products, in compliance with the ISO 14025 PEP ecopassport program. PEP is especially useful for monitoring, controlling, saving energy, and/or reducing carbon emissions.

EoLI: End of Life Instructions

Available at the click of a button, these instructions provide:

- Recyclability rates for Schneider Electric products.
- Guidance to mitigate personnel hazards during the dismantling of products and before recycling operations.
- Parts identification for recycling or for selective treatment, to mitigate environmental hazards/ incompatibility with standard recycling processes.

Life is On

Schneider
Electric

Efficiency that clicks.



PowerPact B Multistandard circuit breakers

Schneider Electric introduces a new family member of the PowerPact™ Multistandard range of circuit breakers, the 125 A PowerPact B.

The PowerPact Multistandard range benefits from 100 years of Schneider Electric's background and leadership in industrial circuit breakers based on roto-active breaking technology.

As well as offering proven performance, flexibility, and reliability, the PowerPact B features new innovations such as EverLink™ patented connections and integrated DIN rail-mounting capability.

Production of fuses
in cases and fuse
switches in boxes



1903

FA
circuit-breaker
launch



1965

Square D
100th anniversary



2003

PowerPact
Multistandard
range H/J/L



2011

New PowerPact B
Multistandard



2016

schneider-electric.com/powerpactb

Your efficiency is our first concern.



I design and build machines.

Optimize your solution.

- Best combination of size and performance
- Same footprint, accessories, and auxiliaries for both multistandard (UL/IEC) and IEC range
- Benefit from working with one single worldwide equipment provider (PowerPact, TeSys™, Altivar™, Modicon™, etc.)



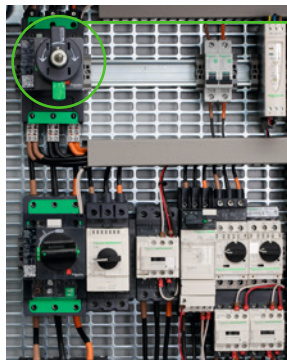
PowerPact B offers a flexible platform to meet customer needs for many types of applications.

Built-in DIN rail and plate-mounting capabilities make installation a snap. Multiple field-installable power connections and accessories allow for easy adaptation at any time. Just click it in!

Applications: Designed for machine control and electrical distribution.

PowerPact B Multistandard circuit breakers are equipped with a thermal-magnetic trip unit with a fixed tripping threshold. They are available with three levels of breaking capacity: 18, 35, and 65 kA at 480 volts and in 1-, 2-, 3-, and 4-pole constructions to protect most applications.

They feature a new premium terminal with patented EverLink technology, and have a wide range of accessories, including a variety of rotary handles.



(81 mm wide for a 3 pole).
Feeder protection and circuit disconnect solutions.



PowerPact B circuit breakers: Optimized for your needs

Multistandard PowerPact B circuit breakers are a 125 A molded-case circuit breaker solution offering great performance in a compact frame size. PowerPact Multistandard circuit breakers are a Schneider Electric global offering of UL listed, CSA, IEC, CCC, and EAC circuit breakers.

PowerPact B main features and innovations:

- Up to 125 A and 100 kA
- Fixed thermal-magnetic trip unit integrated
- Auxiliaries externally visible
- EverLink connectors
- Built-in DIN rail and plate mount
- A variety of operating mechanisms



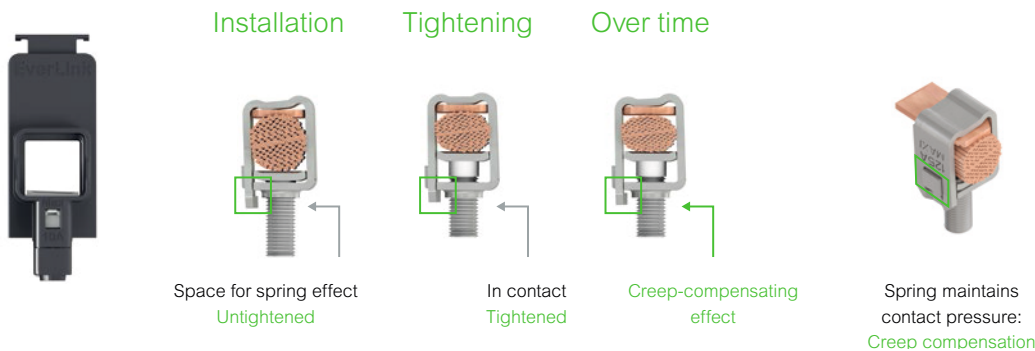
EverLink patented technology

The PowerPact B features a new cable connection method with patented creep-compensating technology built directly into the terminal — EverLink:

- With EverLink connectors, save space and time during panel assembly. EverLink technology compensates for the loosening of cables over time.
- Bare cable connections are as safe as compression lug ones, including fine stranded cable.

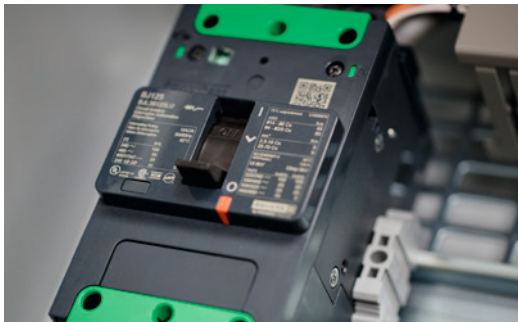


More than 35 new patents were registered for PowerPact B.



Efficiency that clicks.

PowerPact B accessories are available to answer all your needs from power connection to operating mechanism, including electrical auxiliaries. All of them are easily field installable.



Mounting: DIN rail and plate

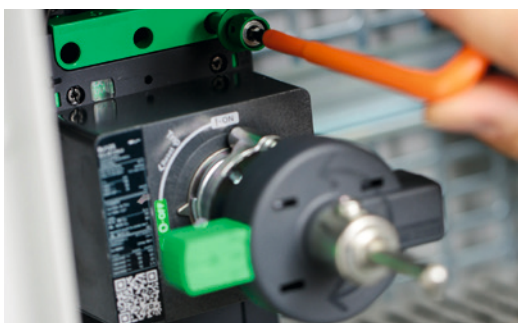
Embedded DIN rail- and plate-mounting capabilities for every circuit breaker; no extra parts required.



Auxiliaries: Field-installable offer

All electrical auxiliaries (contacts OF/SD and voltage release MN/MX) can be easily installed in the product by simply opening the front cover and snapping them into cavities.

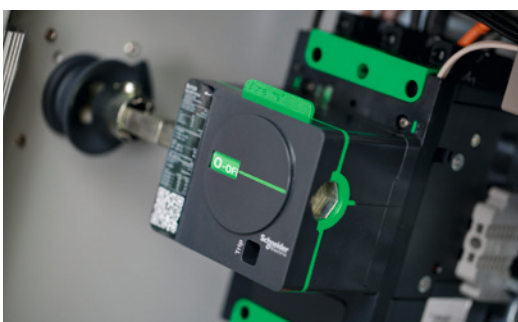
Their presence in the breaker is externally visible through flags or a window.



Power connection: Flexible

PowerPact B circuit breakers come with EverLink or compression lug/bus bar connector. As an option, you can get EverLink connectors with control wire terminal.

New torque-limiting breakaway bits can be used to tighten power connections in the field.



A wide range of operating mechanism

A wide range of rotary handles enables the PowerPact B to meet all standards and applications. They are available as direct, extended, and side mount. We also feature an open door shaft operator (NFPA79 code), which allows you to operate the breaker safely when the panel door is open.



Reference	Three levels of breaking capacities		
	240 V AC	480 V AC	600Y/347 V AC
BD	25 kA	18 kA	14 kA
BG	65 kA	35 kA	18 kA
BJ	100 kA	65 kA	25 kA

Reference	Power terminals
F	Terminal nut both ends
L	EverLink lugs

Reference	Number of poles	
3	1 – 1P	3 – 3P
	2 – 2P	4 – 4P

Reference	Voltage
6	6 – 600 Y/347 V

Reference	Current range			
6	015 = 15 A	035 = 35 A	070 = 70 A	110 = 110 A
	020 = 20 A	040 = 40 A	080 = 80 A	125 = 125 A
	025 = 25 A	050 = 50 A	090 = 90 A	
	030 = 30 A	060 = 60 A	100 = 100 A	

Reference	Connectors type
LU	EverLink 2P, 3P, and 4P with control wire termination (CWT)
	EverLink 1P – no CWT





PowerPact B circuit breakers: Select and order

1 Design

Multistandard certification

One design for the world, wherever you ship your equipment, the circuit breaker is UL listed and, CSA, IEC, CCC, and EAC certified.

CAD Library

Get quick access to all 2-D and 3-D models to easily design your control cabinet.

2 Configure and order

MyPact

Configure and order PowerPact B to save time and ensure accuracy.

config.schneider-electric.com



3 Build

Build faster

One-click installation with the embedded DIN rail and flexibility with field installable accessories and auxiliaries.

4 Operate and maintain

Get quick access to product information

Auxiliaries are externally visible. Scan the QR code to get information on the product and quick access to the customer care center.

Ensure continuity of service

With EverLink, no need for periodic retightening of terminals.

General contents

PowerPact B Multistandard

Functions and characteristics

A

Installation recommendations

B

Dimensions

C

Wiring diagrams

D

Additional characteristics

E

Catalogue numbers and order forms

F

Glossary

G

Functions and characteristics



Introduction

PowerPact B Multistandard circuit breakers overview.....	A-2
Characteristics and performance.....	A-6
Trip units	A-8
Installation	A-9

Accessories and auxiliaries

Overview	A-10
Power connections.....	A-12
Insulation of live parts.....	A-14
Selection of electrical auxiliaries	A-15
Indication contacts.....	A-16
Remote tripping	A-17
Rotary handles.....	A-18
Locks and sealing accessories	A-20

Other chapters

Installation recommendations	B-1
Dimensions	C-1
Wiring diagrams.....	D-1
Additional characteristics	E-1
Catalogue numbers	F-1
Glossary	G-1

Introduction

PowerPact B Multistandard circuit breakers overview

A

PE11487A_L32.eps



Introduction

■ The PowerPact Multistandard circuit breakers are designed and certified to multiple standards in order to meet the needs of customers who have global designs or build and sell in various standard regions. One product can be used and sourced globally. B-frame circuit breakers have the smallest footprint in the PowerPact family of products.

■ PowerPact B-frame circuit breakers are designed to protect electrical systems from damage caused by overloads and short circuits. They are available with thermal-magnetic trip units from 15 A to 125 A, with a breaking capacity up to 65 kA at 480 V AC.

■ The B-frame product offers a flexible platform in which customer needs for various types of mounting and terminations can be accommodated with simple alterations of the base product. Field installable features empower the customer to configure the product to their exact needs for control panel or power panel applications.

■ B-frame circuit breakers with thermal-magnetic trip units contain individual thermal (overload) and instantaneous (short circuit) sensing elements in each pole. The amperage ratings of the thermal trip units are calibrated at 40 °C (104 °F) free air ambient temperature. Per the National Electric Code® (NEC®) and the Canadian Electrical Code, standard circuit breakers may only be applied continuously at up to 80 % of their rating.

Introduction

PowerPact B Multistandard circuit breakers overview



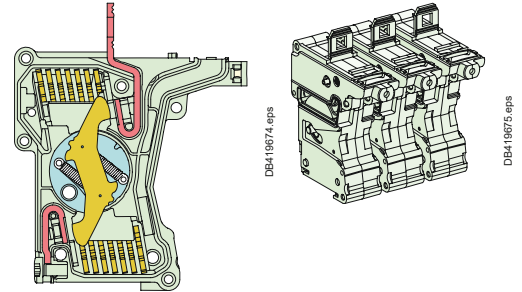
Dual-break rotating contacts

All PowerPact Multistandard circuit breakers are equipped with dual-break rotating contacts that reduce the amount of peak current during a short circuit fault. This reduces the let-through currents and enhances equipment protection.

Reduced let-through currents

The moving contact has the shape of an elongated "S" and rotates around a floating axis. The shape of the fixed and moving contacts are such that the repelling forces appear as soon as the circuit reaches approximately 15 times I_n .

Due to the rotating movement, repulsion is rapid and the device greatly limits short-circuit currents, whatever the interrupting level of the unit. The fault current is extinguished before it can fully develop. Lower let-through currents provide less peak energy, reducing the required bus bar bracing, lowering enclosure pressure, and delivering improved series or combination ratings.

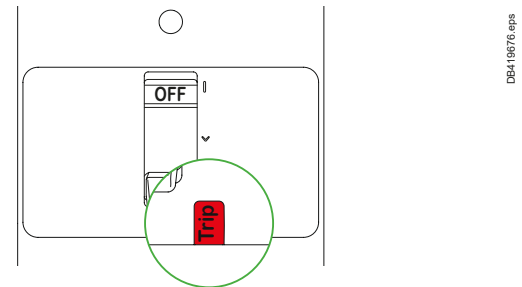


Internal operating mechanism

PowerPact Multistandard circuit breakers have an over-center toggle mechanism providing quick-make, quick-break operation. The operating mechanism is also trip-free, which allows tripping even when the circuit breaker handle is held in the "ON" position.

Internal cross-bars provide common opening and closing of all poles with a single operating handle.

All PowerPact circuit breakers have an integral push-to-trip button in the cover to manually trip the circuit breaker. This should be used as part of a regular preventive maintenance program.



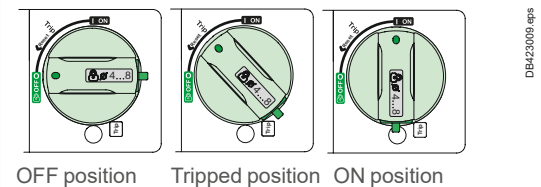
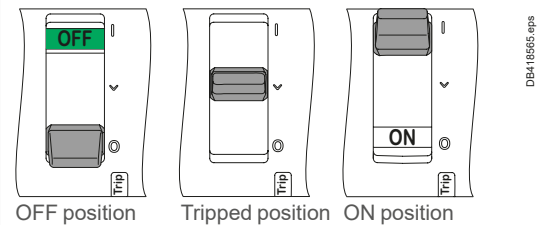
Push-to-trip.

Handle position indication

The circuit breaker handle can assume any of three positions, ON, tripped or OFF as shown.

The center tripped position provides positive visual indication that the circuit breaker has tripped.

The circuit breaker can be reset by first pushing the handle to the extreme "OFF" position. Power can then be restored to the load by pushing the handle to the "ON" position.

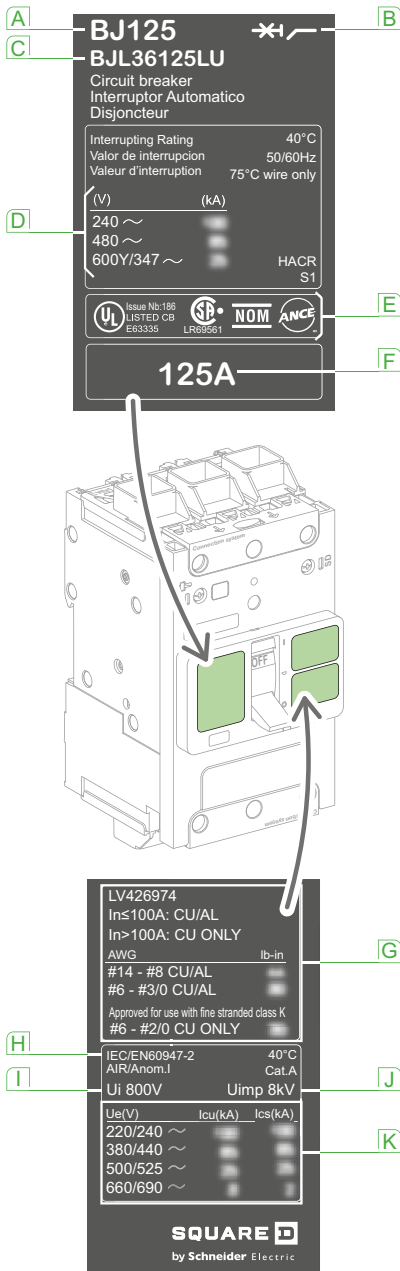


Introduction

PowerPact B Multistandard circuit breakers overview

A

DB419873.eps



Codes and standards

B-frame circuit breakers are manufactured and tested in accordance with the following standards.

Note: apply circuit breakers according to guidelines detailed in the National Electric Code (NEC) and other local wiring codes.

Standards and certifications marks

PowerPact B Multistandard circuit breakers

UL 489 [1]

CSA C22.2 No. 5 [2]

NMX J-266

IEC/EN 60947-2

IEC/EN 60947-5-1

GB 14048-2

CCC

EAC

NOM

CE Marking

[1] PowerPact B-frame circuit breakers are in UL File E63335.

[2] PowerPact B-frame circuit breakers are in CSA File 177007.

Marine type approval certification

PowerPact B circuit breakers comply with most of all marine classification companies specifications, including:

- American Bureau of Shipping (ABS)
- Bureau Veritas (BV)
- China Classification Society (CCS)
- Det Norske Veritas / Germanischer Lloyd (DNV / GL)
- Korean register of Shipping (KROS)
- Lloyds Register of Shipping (LROS)
- Nippon Kaiji Kyokai (NK)
- Registro Italia Navale (RINA)
- Russian Maritime Register of Shipping (RMROS).

Note: when the circuit breaker is equipped with an extended rotary handle, the door must be opened to view the faceplate.

Characteristics indicated on the faceplate label:

- A** Circuit breaker type
- B** Circuit breaker symbol
- C** Commercial reference
- D** UL interrupting rating
- E** Certification marks
- F** Circuit breaker rating
- G** Termination characteristics
- H** Reference standard
- I** Ui: rated insulation voltage
- J** Uimp: rated impulse withstand voltage
- K** IEC interrupting ratings:
 - Icu: ultimate breaking capacity,
 - Ics: service breaking capacity, depending on the operating voltage Ue.

Introduction

PowerPact B Multistandard circuit breakers overview



Applications

Industrial control panels

PowerPact B circuit breakers are used in industrial control panels. They serve as an incoming device, branch (feeder circuit) or can be combined with starters to protect motor feeders:

- compliance with worldwide standards including IEC 60947-2 and UL 489 / CSA C22.2 N° 5
- overload and short-circuit protection
- installation in universal and process-specific type enclosures.

The accessories for the PowerPact B circuit breakers are suitable for the special needs of these applications.

Electrical distribution

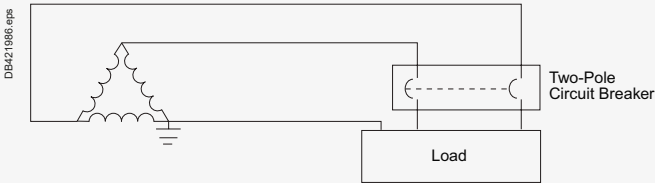
PowerPact B circuit breakers are also used in electrical distribution for building applications. They can be used as feeder or incomer and are compliant with worldwide standards, providing short-circuit and overload protection.

They are both back-pan / plate and DIN-rail mount, compatible with all kinds of enclosures and offering a whole range of operating handles and accessories.

Grounded B-phase systems (corner-grounded delta)

Circuit breakers suitable for corner-grounded circuits are marked Ø1-Ø3.

Three-phase 240 V AC corner-grounded delta system.



2P Frame			
	BD	BG	BJ
Ampere Rating (A)	15 - 125		
Voltage Rating (V AC)	240		
UL Interrupting Rating (kA)	18	35	65

Introduction

Characteristics and performance

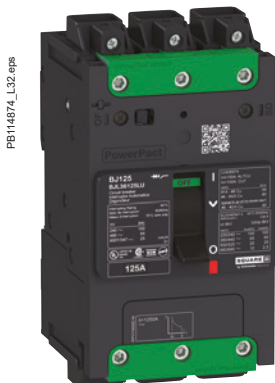
A



PB114863.eps



PB114869.eps



PB114874_L32.eps



PB114877.eps

Circuit breaker ratings

The interrupting rating is the highest current at rated voltage the circuit breaker is designed to safely interrupt under standard test conditions. Circuit breakers must be selected with interrupting ratings equal to or greater than the available short-circuit current at the point where the circuit breaker is applied to the system (unless it is a branch device in a series rated combination). Interrupting ratings are shown on the front of the circuit breaker.

Reverse feeding of circuit breakers

The standard unit-mount Multistandard circuit breakers have sealed trip units and may be reverse fed.

Circuit breaker

Circuit breaker type

Number of poles

Amperage range (A)

UL 489 circuit breaker ratings

UL/CSA/NOM (kA rms)	208Y/120 V AC
	240 V AC
	480Y/277 V AC
	480 V AC
	600Y/347 V AC

IEC/EN 60947-2 circuit breaker ratings

Ultimate breaking capacity (Icu) (kA rms)	220...240 V AC
	380...415 V AC
	440 V AC
	500...525 V AC
	690 V AC
Service breaking capacity (Ics) (kA rms)	220...240 V AC
	380...415 V AC
	440 V AC
	500...525 V AC
	690 V AC

Rated insulation voltage (V)	Ui
Rated impulse withstand voltage (V)	Uimp
Rated operational voltage (V)	Ue
Rated current (A)	In (40 °C)

Utilization category
Suitability for isolation
Pollution degree

Durability operations (Open-Close cycles)

Mechanical durability ^[1]	
Electrical durability ^[1]	240 V AC - In (1P) 440 V AC - In (2P/3P/4P)

Protection

Overload/short-circuit protection	Thermal-Magnetic
-----------------------------------	------------------

Dimensions/ Weight / Connections

Dimensions 3P (unit mount) mm. (in)	Height
	Width
	Depth
Weight 3P - kg (lb.)	
Connections / Terminations	EverLink™
	Crimped lug/busbar
	Optional lugs

[1] Durability (C-O cycles) as per IEC947-1 annex K.

Introduction

Characteristics and performance



Special Ratings

The B-frame circuit breaker also complies with the following special ratings:

- HACR rating
- SWD switch duty rating (applies only to 15 A and 20 A; 347 V AC or less; 1P, 2P and 3P)
- HID high intensity discharge lighting rating (15 - 30 A; 347 V AC or less; 1P, 2P and 3P).

125 A B-Frame						
BD		BG		BJ		
1	2-4	1	2-4	1	2-4	
15-125	15-125	15-125	15-125	15-125	15-125	
25	25	65	65	100	100	
25	25	65	65	65	100	
18	18	35	35	65	65	
-	18	-	35	-	65	
14	14	18	18	25	25	
25	25	65	65	65	100	
-	18	-	35	-	65	
-	18	-	35	-	65	
-	14	-	18	-	25	
-	-	-	-	-	10	
25	25	65	65	65	100	
-	18	-	35	-	65	
-	18	-	35	-	65	
-	14	-	18	-	25	
-	-	-	-	-	2.5	
800						
8 k						
240	690	240	690	240	690	
15-125						
A						
Yes						
3						
15000						
10000						
10000						
☉						
137 (5.39)						
81 (3.19)						
80 (3.1)						
1.07 (2.87)						
☉						
☉						
☉						

Introduction

Trip units

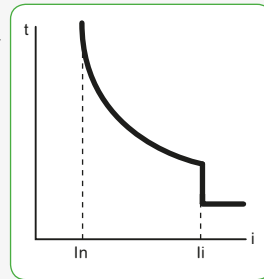
A

PowerPact B-frame thermal-magnetic trip units are factory sealed.

Available trip units

PowerPact Multistandard circuit breakers offer a range of thermal-magnetic trip units. They are designed to open automatically under overload or short circuit. B-frame thermal-magnetic circuit breakers contain individual thermal (overload) and instantaneous (short circuit) sensing elements in each pole.

Thermal-magnetic trip units

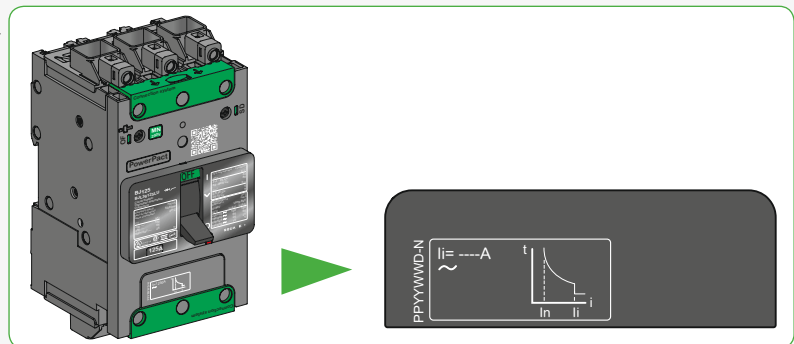


B-Frame Trip Curve

- (In) Fixed threshold thermal protection against overload.
- (Ii) Fixed threshold instantaneous protection against short-circuits.

Circuit breaker and trip units

Distribution Protection: Thermal-Magnetic TM



Non-adjustable trip unit

Magnetic level

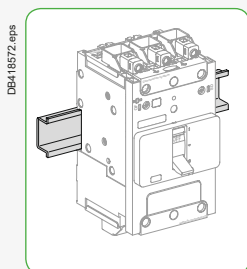
Ii	Rated current (A)														
	15	20	25	30	35	40	45	50	60	70	80	90	100	110	125
Hold (A)	400	400	400	400	400	400	400	480	640	640	800	1000	1000	1000	1000
Trip (A)	600	600	600	600	600	600	600	720	960	960	1200	1500	1500	1500	1500

Mounting

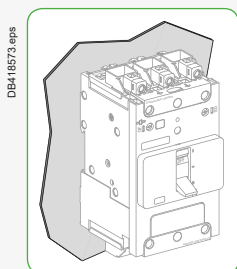
B-frame circuit breakers may be mounted vertically, horizontally, flat on their back or on their side without any derating of characteristics. These circuit breakers can be mounted on a DIN rail using the integrated 35 mm DIN rail mounting feature.

For backplate mounting, the circuit breakers are supplied with two mounting screws (M4), washers and nuts.

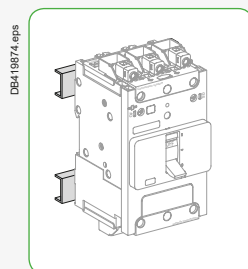
These mounting screws can be inserted through mounting holes molded into the circuit breaker case and threaded into the mounting enclosure, rails or plate.



Mounting on DIN rail.



Mounting on backplate
(2 mounting screws).

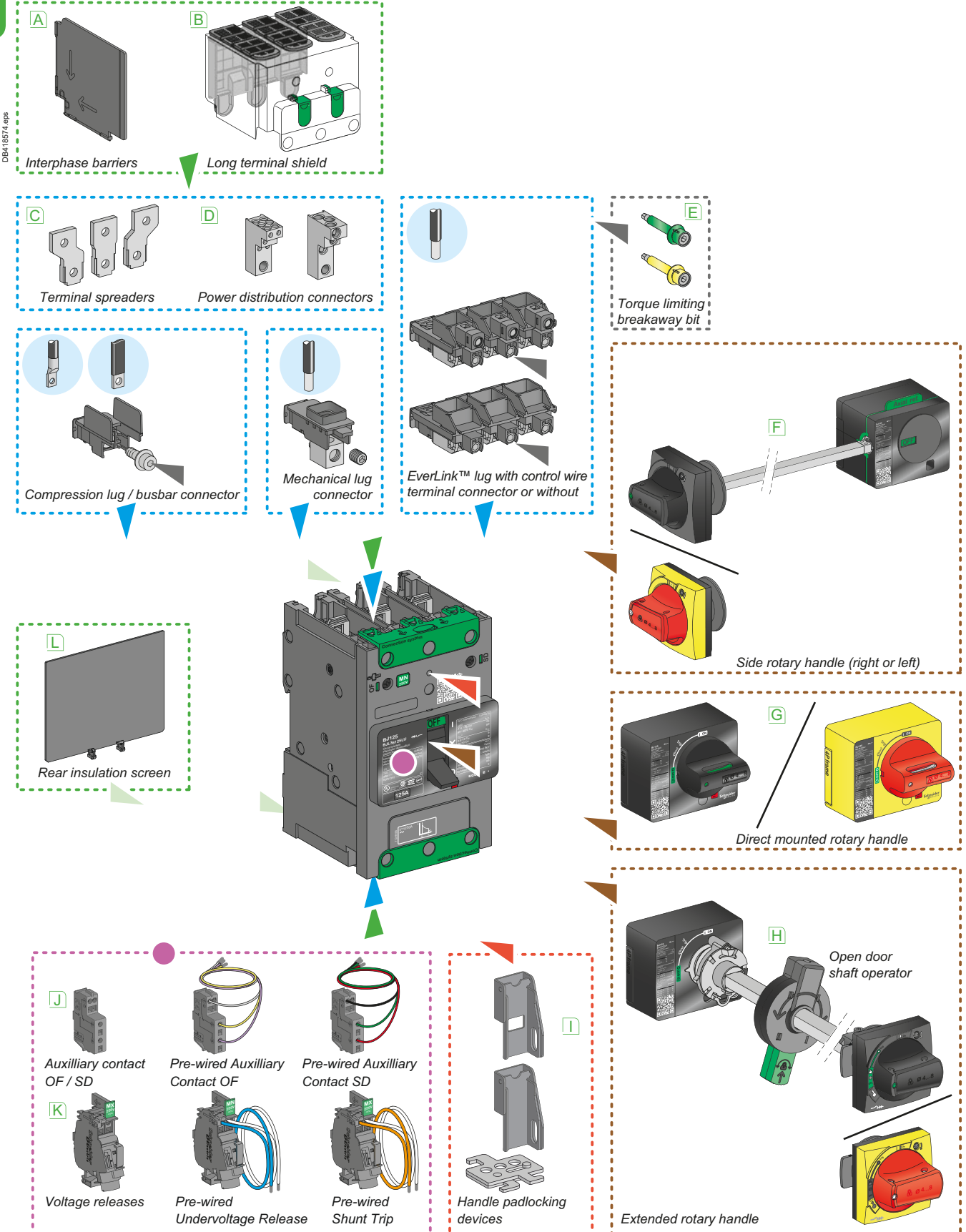


Mounting on rails
(2 mounting screws)

Accessories and auxiliaries

Overview

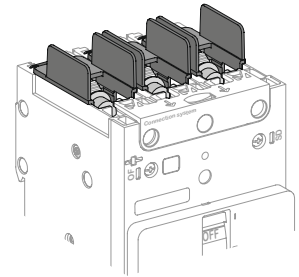
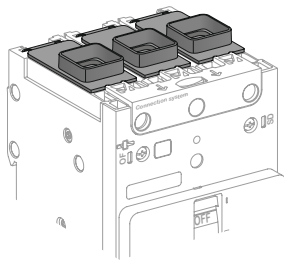
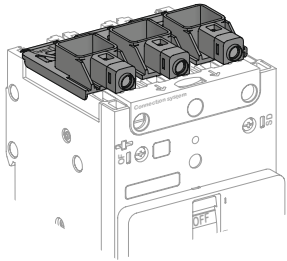
A



Accessories overview

PowerPact B circuit breakers offer a whole range of accessories which are field installable, giving the panel builders/customers the chance to modify the circuit breaker at any time in the design/build cycle:

- Power connections, including the patented EverLink lug and control wire terminal feature.
- Electrical accessories, internal to the circuit breaker, with quick snap-in features, spring connections, and wires going out on all four corners of the product.
- Insulation features, providing additional safety precautions between people, equipment and circuit breaker.
- Operating mechanisms, when through the door operation is a must, and including a side mechanism.
- Locking devices, to secure the safety of your personnel or the continuity of service.



EverLink with (shown) or without control wire terminal connector

Mechanical lug connector

Compression lug / busbar connector

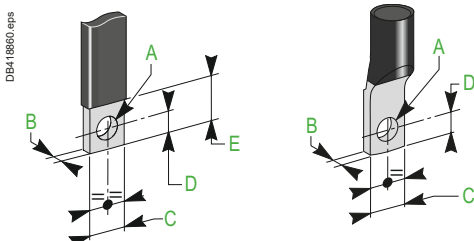
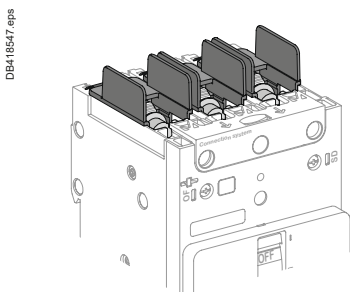
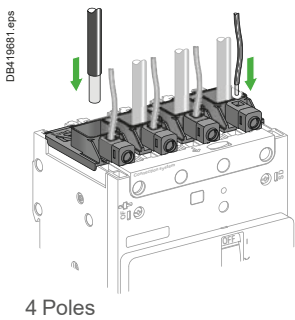
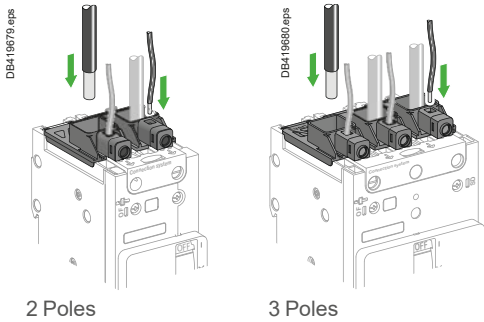
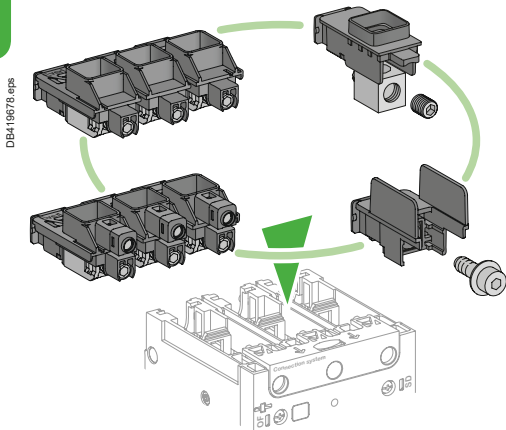
	EverLink with (shown) or without control wire terminal connector				Mechanical lug connector				Compression lug / busbar connector			
	1P	2P	3P	4P	1P	2P	3P	4P	1P	2P	3P	4P
A	○	○	○	○	○	●	●	●	○	●	●	●
B	○	○	○	○	○	○	○	○	○	○	○	○
C	○	○	○	○	○	○	○	○	● [1]	● [1]	●	●
D	○	○	○	○	○	○	○	○	○	○	○	○
E	○	○	○	○	○	○	○	○	○	○	○	○
F	○	○	○	○	○	○	○	○	○	○	○	○
G	○	○	○	○	○	○	○	○	○	○	○	○
H	○	○	○	○	○	○	○	○	○	○	○	○
I	○	○	○	○	○	○	○	○	○	○	○	○
J	○	○	○	○	○	○	○	○	○	○	○	○
K	○	○	○	○	○	○	○	○	○	○	○	○
L	○	○	○	○	○	○	○	○	○	○	○	○

[1] By using part(s) of the 3P or 4P spreader kit.
 [2] Only OF.

Accessories and auxiliaries

Power connections

A



Power connection (3 types)

Circuit breakers are delivered with EverLink™ lugs with control wire terminals on the line side and EverLink lugs on the load side (except for single pole circuit breakers which uses EverLink lugs on both sides).

Another factory-assembled power connection option is the terminal nut (for compression lugs / bus bars).

Aluminium mechanical lugs are also available as a kit. All lug options are field installable. So, no matter which lugs are on the product, they can be removed and replaced by any one of the 4 kinds of lugs available (EverLink™ lug with control wire terminal, EverLink™ lug, compression / busbar lug, aluminum mechanical lug).

All lugs are UL Listed/CSA Certified for their proper application and marked for use with aluminum and copper (Al/Cu) or copper only (Cu) conductors.

I - EverLink™ lug connector

This type of connection uses the EverLink™ system with creep compensation ^[1] (Schneider Electric patent).

This technique makes it possible to achieve accurate and durable tightening torque, in order to avoid cable creep ^[1].

When ordered as standard, the upstream connector has control wire terminals (except for 1 pole product) in order to make some measurement or control connections (limited to 10 A maximum). Upstream and downstream connectors can be interchanged if needed.

When ordered as spare parts, EverLink™ lug connectors always have control wire terminals (except for 1 pole product).

EverLink™ lugs for use with Al or Cu wire for B-Frame circuit breaker

Frame	(Number of wires) wire range		Unit mount	Kit	Qty per kit
	Rigid Solid/stranded	Flexible Fine stranded ^[4]			
BD, BG, BJ	Power connection ^[2], 15-125 A (Cu), 15-100 A (Al)		●	●	1
	(1) 2.5 - 95 mm ²	(1) 2.5 - 70 mm ²			
	(1) 14 - 3/0 AWG	(1) 6 - 2/0 AWG			
	Control wire terminal ^[3] up to 10 A (Cu)				
	(1) 1.5 - 6 mm ²	(1) 0.5 - 6 mm ²			
	(1) 20 - 10 AWG	(1) 20 - 10 AWG			

^[1] Creep: normal crushing phenomenon of conductors, that is accentuated over time.

^[2] In ≤100 A CU7AL - In >100 A CU7 only. ^[3] CU7 only. ^[4] Class K.

II - Compression lug / busbar connection kits

The B-frame circuit breakers may be equipped with captive nuts and screws for direct connection to busbars or to compression (crimp) lugs.

These are readily field-installable, simply by removing the EverLink™ lug and replacing with the appropriate terminal nut assembly.

They are also available factory-installed.

Compression lug / busbar connection kits for B-Frame circuit breakers

Frame	Ampere rating	Tap	Unit mount	Kit	Qty per kit
BD, BG, BJ	15-125 A	M6	●	●	2 or 3

Bar and lugs dimensions

Dimension	A	B	C	D	E
mm	6.4	≤ 6.5	≤ 17	≤ 7	17 to 20
(in)	(0.250)	(≤ 0.25)	(≤ 0.67)	(0.27)	(0.67 to 0.78)



Specific compression lugs can be ordered for copper and aluminum cable.

Lugs			
Frame	Cable section	Cable type	Qty per kit
BD, BG, BJ	70 mm ²	Cu	3 or 4
BD, BG, BJ	6 - 1/0 AWG	Cu	2 or 3
BD, BG, BJ	8 - 1/0 AWG	Al/Cu	2 or 3

Power distribution connectors [*]

These connectors are screwed directly to device terminals equipped with compression lug/busbar connectors. Interphase barriers are supplied with power distribution connectors, but may be replaced by long terminal shields. Each connector can receive three or six cables.

Power distribution connectors					
Frame	Ampere rating	(Number wires) wire range	Unit mount	Kit	Qty per kit
BD, BG, BJ	15-125 A Al/Cu	(3) 2.5 - 35 mm ² (3) 14 - 2 AWG	-	●	3
BD, BG, BJ	15-125 A Al/Cu	(6) 2.5 - 16 mm ² (6) 14 - 6 AWG	-	●	3

Spreaders

Spreaders can be used to increase the pitch of the circuit breaker from 27 (1.063) to 35 mm (1.378 in.). They are delivered with interphase barriers and M8 screws, nuts and washers.

Rear insulation screens may have to be used too, depending on the distance between the live uninsulated parts and the grounded metallic back pan.

Customer holes for connection are Ø8 mm (5/16 in.).

Description	Used with	Qty per kit
B-Frame 3 poles spreader	B-Frame compression lug/ busbar connector	1
B-Frame 4 poles spreader	B-Frame compression lug/ busbar connector	1

Note: For a 1 pole, you can use the middle part of a 3 pole spreader, and for a 2 pole, the 2 middle ones of a 4 pole spreader.

III - Mechanical lug kits

The standard EverLink™ lugs can be removed for the installation of mechanical lugs suitable for copper and aluminum conductors (made of tin-plated aluminum).

The mechanical lugs are fastened to the terminals with lug mounting screws inserted from the bottom of the circuit breaker. The lug cover is held in place with built-in snap features. They are sold as field installable kits.

Mechanical lug connection kits for B-Frame circuit breakers

Frame	Ampere rating	Number of wires and wire range	Unit mount	Kit	Qty per kit
BD, BG, BJ	15-125 A Al/Cu	(1) 2.5 - 70 mm ² (1) 14 - 2/0 AWG	-	●	2 or 3

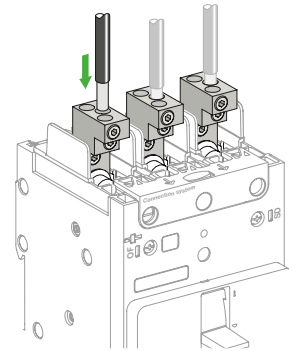
Torque limiting breakaway bits

Torque limiting breakaway bits may be used, particularly in the field, to tighten at the right torque EverLink™ lug, compression lug or busbar power connections.

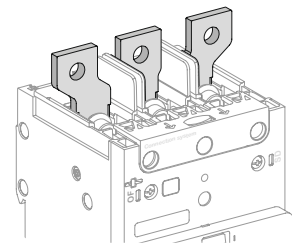
Throwaway tips

Frame	Ampere rating	Torque		Qty per kit
BD, BG, BJ	15-125 A	5 N.m		6 or 8
BD, BG, BJ	15-125 A	9 N.m		6 or 8

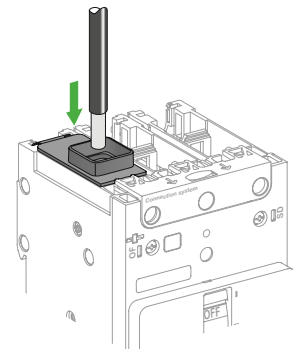
[*] Available Q3 2017.



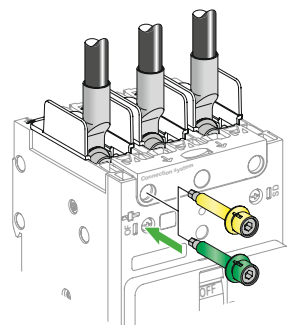
DB423064.eps



DB421509.eps



DB419882.eps

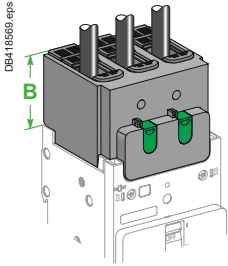


DB419883.eps

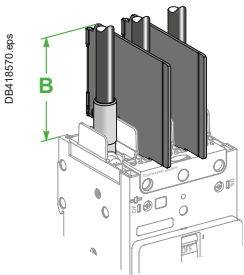
Accessories and auxiliaries

Insulation of live parts

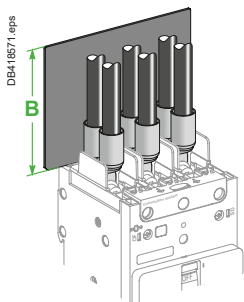
A



Long terminal shield.



Interphase barriers.



Rear insulation screen.

Insulation of live parts

For 2, 3 or 4 poles products, several accessories are available to ensure insulation and IP:

- long terminal shields IP40
- interphase barriers
- rear insulation screen (especially for spreader with a 35 mm pitch).

Long terminal shields IP40

Products can be equipped with long terminal shields. They can be mounted upstream and downstream and are used for protection against direct contact with power circuits. They provide IP40 degree of protection and IK07 mechanical impact protection. Moreover long terminal shield can be mounted after product installation on plate or DIN rail, and can be removed and put in place even if there are auxiliary wires.

They are used for connection with cables or insulated bars.

They are comprised of two parts assembled with 2 locks and/or captive screws, forming an IP40 cover.

- The top part is transparent in order to be able to see the connection through it and is equipped with sliding grids with break marks for precise adaptation to cables or insulated bars.
- The rear part completely blocks off the connection zone. Partially cut squares can be removed to adapt to all types of connection for cables with lugs or copper bars.

Interphase barriers

Safety accessories for maximum insulation at the power-connection points:

- they clip easily onto the circuit breaker
- not compatible with long terminal shield
- 2 ways mounting: short / long insulation.

Rear insulating screens

Safety accessories providing insulation at the rear of the device.

Their use may be mandatory if no long terminal shield depending of the distance between bare conductors and backplate (see table [pages B-8 and B-9](#)).

Insulation accessories 2, 3 and 4 poles products

Description	Used with	Dimension B mm (in.)	Qty per kit
B-Frame long terminal shield	All B-Frame power connections except EverLink™ and when using the spreader kit	50 (1.97)	1
B-Frame interphase barriers	All B-Frame power connections except EverLink™	67/79 (2.64/3.11)	6
B-Frame rear insulation screen (35 mm (1.378 in.) pitch)	All B-Frame products	84 (3.30)	2

Electrical auxiliaries

All PowerPact Multistandard circuit breakers (except 1 pole) have slots for electrical auxiliaries.

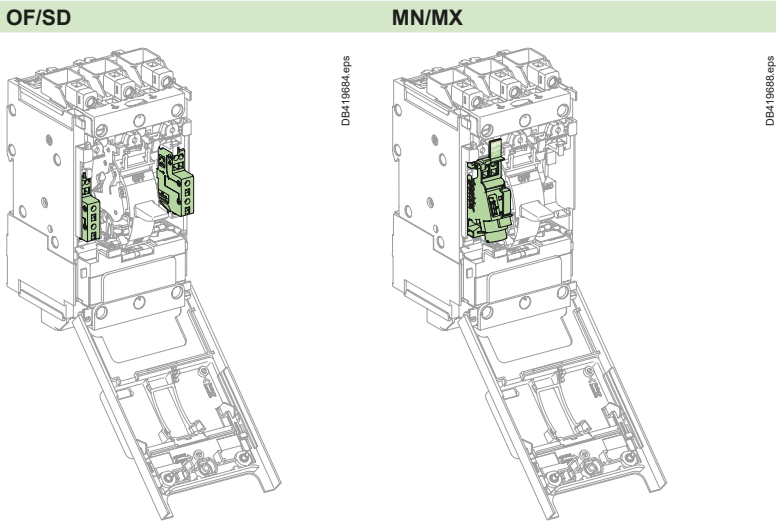
Indication contact(s):

- 1 ON/OFF (OF)
- 1 trip indication (SD).

1 voltage release:

- either 1 MN undervoltage release
- or 1 MX shunt trip.

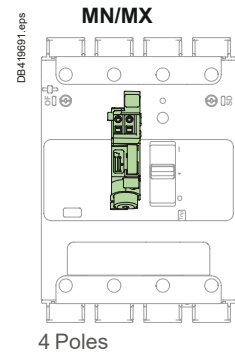
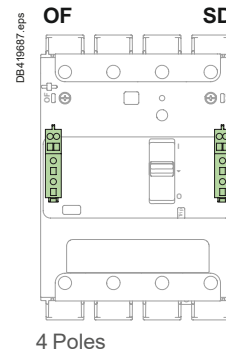
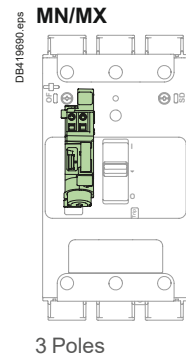
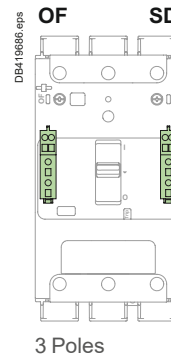
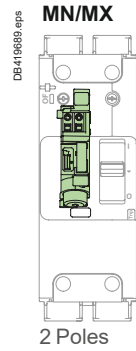
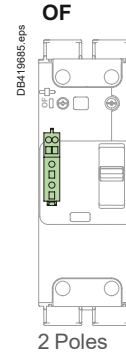
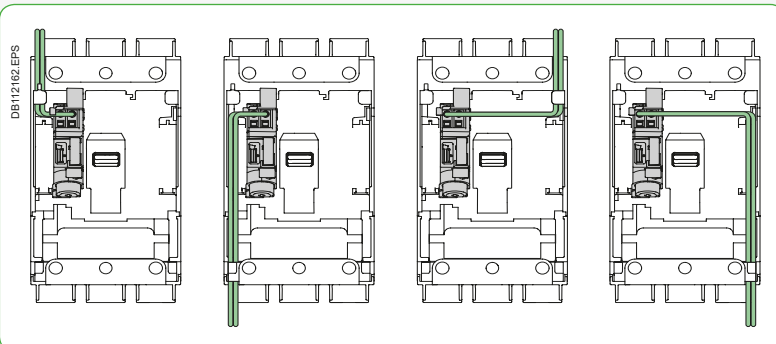
Slot for electrical auxiliaries				
Used with	Number of poles	Quantity OF	Quantity SD	Quantity of voltage release MN or MX
B-Frame	1	-	-	-
	2	1	-	1
	3	1	1	1
	4	1	1	1



Accessory connections

Electrical accessories are fitted with numbered spring terminal blocks for wires. The maximum wire size is 1.5 mm² (16 AWG) for auxiliary switches (OF or SD), shunt trip MX or undervoltage release MN.

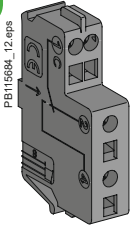
Electrical accessory wire routing can be exited out any of the four corners of the breaker, under the accessory cover even when using long terminal shield.



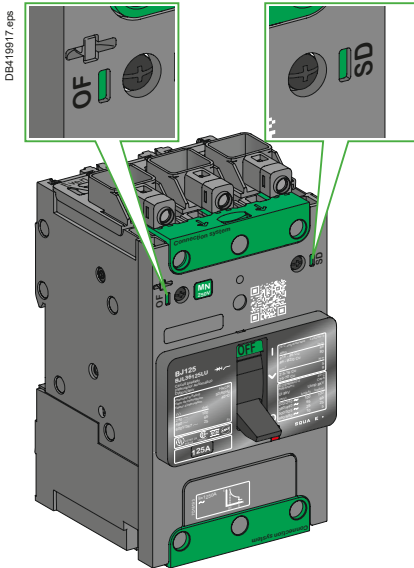
Accessories and auxiliaries

Indication contacts

A



Auxiliary Switch (OF) / Alarm Switch (SD).



Auxiliary and alarm indication contacts

Indication contacts provide remote information of the circuit breaker status and can thus be used for indications, electrical locking, relays, etc.

They are common point changeover type contacts, with a normally open (NO) contact and a normally closed (NC) contact.

Open/Closed - Auxiliary switches (OF)

- Indicates the position of the circuit breaker contacts.

Trip indication - Alarm switch (SD)

- Indicates that the circuit breaker has tripped due to:
 - an electrical fault (overload, short circuit)
 - the operation of a shunt trip
 - undervoltage release
 - the "push-to-trip" button.
- Resets when the circuit breaker is reset.

Installation and connection

- The auxiliary switch (OF) and alarm switch (SD) indication contacts snap into cavities behind the front accessory cover of the circuit breaker and their presence is visible on the front face through green flags.
- One model serves for all indication functions depending on where it is fitted in the circuit breaker.
- Each NO and NC spring terminal may be connected by one 0.5...1.5 mm² (20... 16 AWG) stranded copper wire and by two for the common point.

Electrical characteristics of auxiliary contacts

Characteristics						
Rated thermal current (A)	5					
Minimum load	5 mA at 17 V DC					
Utilization cat. (IEC 60947-5-1)	AC12	AC15	DC12	DC13	DC14	
Operational current (A)	24 V AC/DC	5	5	5	2.5	1
	48 V AC/DC	5	5	2.5	1.2	0.2
	110...127 V AC / 110 V DC	5	4	0.6	0.35	0.05
	220/240 V AC	5	3	-	-	-
	250 V DC	-	-	0.3	0.05	0.03
	380/440 V AC	5	2.5	-	-	-
660/690 V AC	5	0.11	-	-	-	
UL489, CSA C22.2 No. 5	Ampere rating (A)		Pilot duty standard (A)			
48 V AC	5		-			
120 V AC	5		3			
240 V AC	5		1.5			
480 V AC	5		0.75			
600 V AC	-		0.6			
48 V DC	2.5		-			
110 V DC	0.8		-			
250 V DC	0.3		-			

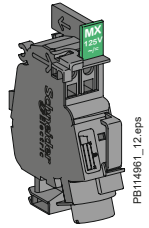
Standards

- Auxiliary indicator contacts comply with UL 489, CSA C22.2 No. 5 and IEC 60947-5-1 Standards.
- Auxiliary contacts have also been tested according IEC 60 947-5-4 standard.
- Auxiliary contacts are Listed for field installation per UL file E103955 and Certified under CSA file 177007.

Functions and characteristics

Accessories and auxiliaries

Remote tripping



A

MX or MN voltage release.

Shunt trip (MX) and undervoltage release (MN)

A voltage release can be used to trip the circuit breaker using a control signal. They serve primarily for remote, emergency-off commands. It is advised to test the system every six months.

Shunt trip (MX)

- Trips the circuit breaker when the control voltage rises above 70 % of its rated voltage (U_n).
- Impulse type ≥ 20 ms or maintained control signals.
- Shunt trip 110...130 V AC is suitable for ground-fault protection when combined with a Class I ground-fault sensing element.
- Continuous duty rated coil ^[1].

Undervoltage release (MN)

- Trips the circuit breaker when the control voltage drops below 35 % of its rated voltage.
- Between 35 % and 70 % of the rated voltage, opening is possible but not guaranteed.
- Above 70 % of the rated voltage, opening does not take place.
- Continuous duty rated coil.
- Circuit breaker closing is possible only if the voltage exceeds 85 % of the rated voltage. If an undervoltage condition exists, operation of the closing mechanism of the circuit breaker will not permit the main contacts to touch, even momentarily. This is commonly called "Kiss Free".

Time-delay unit for an undervoltage release (MN)

A time delay unit for the MN eliminates the risk of nuisance tripping due to a transient voltage dip lasting less than 200 ms for fixed delay units and up to 3 seconds for adjustable units. For shorter micro-outages, a system of capacitors provides temporary supply to the MN at $U > 0.7 U_n$ to ensure non tripping. The correspondence between MN and time-delay units is shown below.

Power supply	Corresponding MN
Unit with fixed delay 200 ms	
48 V AC	48 V DC
220 / 240 V AC	250 V DC
Unit with adjustable delay ≥ 200 ms	
48 - 60 V AC/DC	48 V DC
100 - 130 V AC/DC	125 V DC
220 - 250 V AC/DC	250 V DC

Installation and connection

- Auxiliary snap into cavity under the front accessory cover of the circuit breaker. The presence and characteristics of the voltage release is visible from the front face through a window.
- Each spring terminal may be connected by one 0.5...1.5 mm² (20....16 AWG) stranded copper wire.

Operation

- The circuit breaker must be reset locally after being tripped by shunt trip (MX) or undervoltage release (MN).
- Tripping by the shunt trip or undervoltage release has priority over manual closing; in the presence of a standing trip order such an action does not result in any closing, even temporarily, of the main contacts.
- Endurance: 50 % of the rated mechanical endurance of the circuit breaker.

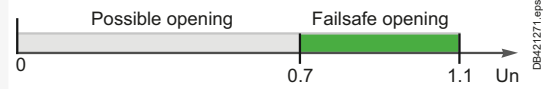
Electrical characteristics and wiring recommendations of MN/MX

See page B-3.

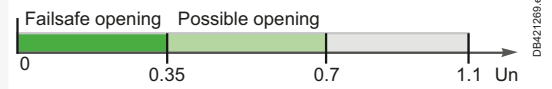
Standards

- MN/MX voltage releases comply with with UL 489, CSA C22.2 No. 5 and IEC 60947-2 Standards.
- MN/MX voltage releases are Listed for field installation per UL file E103955 and Certified under CSA file 177007.

[1] Except for MX 24 V AC/DC (in case of continuous activation, may generate some minor perturbation in sensitive environment).



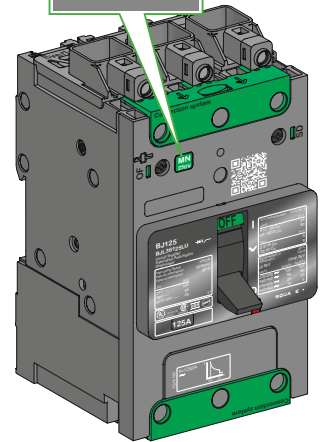
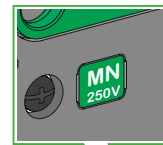
Opening conditions of the MX release.



Opening conditions of the MN release.



Closing conditions of the MN release.

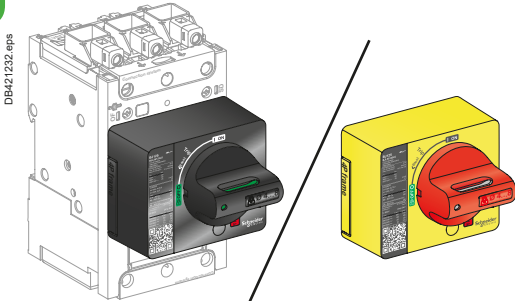


Operating voltages for MN/MX.

Accessories and auxiliaries

Rotary handles

A



Directly mounted rotary handle.

Direct rotary handles

Installation

The direct mounted rotary handle has to be mounted by 3 screws on the front accessory cover.

Operation

The direct rotary handle maintains:

- suitability for isolation
- indication of the three positions OFF (O), ON (I) and tripped (Trip)
- access to the “push-to-trip” button
- visibility of, and access to the trip unit.

Device padlocking

The circuit breaker may be locked in the OFF position by using one to three padlocks (not supplied) or in ON position after customer modification of the rotary handle before installation, padlock shackle Ø4-8 mm (3/16-5/16 in.). Locking in the ON position does not prevent the circuit breaker from tripping if a fault occurs. In this case, the handle remains in the ON position after the circuit breaker trips. Unlocking is required for the handle to go to the tripped then the OFF position.

Variations: door locking

Door locking built-in functionality can be activated by the customer to prevent opening the door when the circuit breaker is ON or in trip position. For exceptional situations, door locking can be temporarily disabled with a tool by qualified personnel to open the door when the circuit breaker is closed.

Models

- Standard with black handle.
- VDE type with red handle and yellow bezel for machine tool control.

Standards

The directly-mounted rotary operating handle is UL Listed under file E 103955 and CSA Certified under file 177007. Degree of protection IP40, IK07.

Extended rotary handles

Installation

The door-mounted (extended) rotary handle is made up of:

- a unit that has to be screwed on the front accessory cover of the circuit breaker
- an assembly (handle mechanism and front plate) on the door that is always secured in the same position, whether the circuit breaker is installed vertically or horizontally
- an adjustable extension shaft.

The handle mechanism is fixed with a nut (Ø22 mm) to make assembly easier. The Laser Square tool (GVAPL01) can be used to accurately align the hole on the door with the circuit breaker.

Operation when door is closed

The door mounted handle makes it possible to operate a circuit breaker installed in an enclosure from the front. The door mounted operating handle maintains:

- suitability for isolation
- indication of the three positions OFF (O), ON (I) and tripped (Trip)
- visibility of and access to trip unit when the door is open
- degree of protection of the handle on the door: IP54 or IP65 as per IEC 529.

Mechanical door locking when device closed

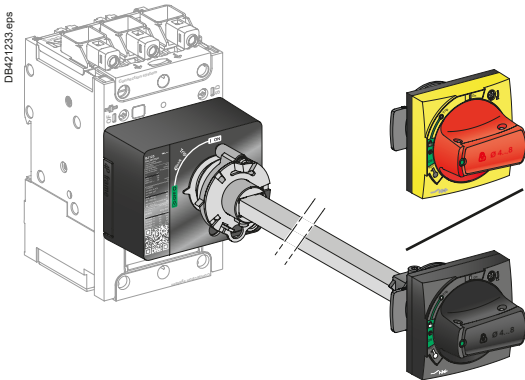
A standard feature of the extended rotary handle is a locking function, built into the shaft, that disables door opening when the circuit breaker is in the ON or tripped positions.

Door locking can be temporarily disabled with a tool by qualified personnel to open the door without opening the circuit breaker. This operation is not possible if the handle is locked by a padlock.

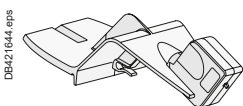
Device and door padlocking

Padlocking locks the circuit breaker handle and disables door opening:

- standard situation, in the OFF position, using 1 to 3 padlocks, shackle Ø4-8 mm (3/16 - 5/16 in.), padlocks are not supplied
- for the black handle, with a voluntary modification of the door handle (to be done by the customer during installation), in the ON and OFF positions. Locking in the ON position does not prevent the circuit breaker from tripping if a fault occurs. In this case, the handle remains in the ON position after the circuit breaker trips. Unlocking is required for the handle to go to the tripped then the OFF position.



Door-mounted rotary handle.



Laser square tool.

Operation when door is opened

An open door shaft operator can be used to operate the circuit breaker when the door is opened. This accessory complies with UL508. The indication of the three positions OFF (O), ON (I) and tripped (Trip) is visible on the circuit breaker. The circuit breaker itself may be locked in OFF position when the door is opened by 1 padlock / lockout hasp, shackle Ø4-8 mm (3/16 - 5/16 in.).

Shaft length

The shaft length is the distance between the back of the circuit breaker and the door:

- minimum shaft length is 200 mm (7.87 in.)
- maximum shaft length is 600 mm (24 in.)
- shaft length must be adjusted.

Models

- Standard with black handle (IP54).
 - VDE type with red handle and yellow bezel for machine tool control (IP54).
 - IP65 with red handle and yellow bezel.
- IP54 models can be used in NEMA 12 enclosure applications, and IP65 in NEMA 12, 3R and/or 4X ones.

Standards

The door-mounted rotary operating handle is UL Listed under file E103955 and CSA Certified under file 177007.

Side rotary handles (left or right)

Installation

The side-mounted rotary handle is made up of:

- a unit that has to be screwed on the front accessory cover of the circuit breaker
- an assembly (handle and front plate) on the side (left or right) of the enclosure
- an adjustable extension shaft.

The handle mechanism is fixed with a nut (Ø22 mm) to make assembly easier.

Operation

The side mounted rotary handle makes it possible to operate a circuit breaker installed in an enclosure from the side. The side mounted rotary handle maintains:

- suitability for isolation
- indication of the three positions OFF (O), ON (I) and tripped (Trip). Moreover, the position is visible on the circuit breaker itself.
- visibility of and access to the trip unit when the door is open
- degree of protection of the handle on the side: IP54 or IP65 as per IEC 529.

Device padlocking

The circuit breaker may be locked in the OFF position, or, for the black rotary handle only, in the ON position after voluntary modification of the side handle (to be done by the customer during installation), by using one to three padlocks, padlock shackle Ø4-8 mm (3/16-5/16 in.); padlocks are not supplied.

Locking in the ON position does not prevent the circuit breaker from tripping if a fault occurs. In this case, the handle remains in the ON position after the circuit breaker trips. Unlocking is required for the handle to go to the tripped then the OFF position.

Shaft length

The shaft length is the distance between the side of the circuit breaker and the side of the enclosure:

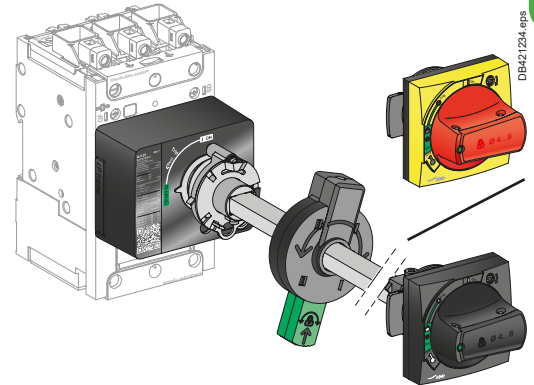
- minimum shaft length is 45 mm (1.77 in.)
- maximum shaft length is 480 mm (18.90 in.)
- shaft length must be adjusted.

Models

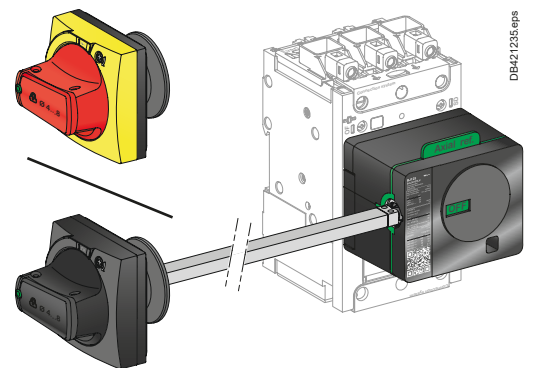
- Standard with black handle (IP54).
 - VDE type with red handle and yellow bezel for machine tool control (IP54).
 - IP65 with red handle and yellow bezel (by ordering a standard one and an IP65 universal handle).
- IP54 models can be used in NEMA 12 enclosure applications, and IP65 in NEMA 12, 3R and/or 4X ones.

Standards

The side-mounted rotary operating handle is UL Listed under file E103955 and CSA Certified under file 177007.



Door-mounted rotary handle with open door shaft operator.



Side mounted rotary handle.

Accessories and auxiliaries

Locks and sealing accessories

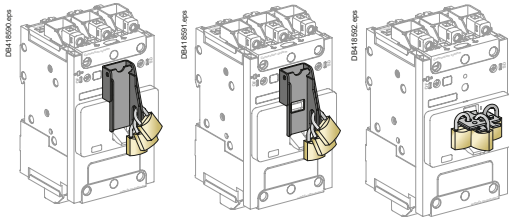
A

Handle padlocking device ^[1]

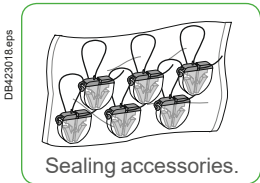
Fixed (OFF only)

Fixed (OFF or ON)

Removable (OFF only)



[1] Rotary handle has integral padlocking capability.



Sealing accessories.

Locks

Padlocking systems can accept up to three padlocks with diameters of 5-8 mm (3/16-5/16 in.); padlocks not supplied. Locking in the OFF position provides isolation as per IEC 60947-2.

Control device	Function	Means	Required accessories
Toggle	Lock in OFF position	Padlock	Removable device
	Lock in OFF or ON position	Padlock	Fixed device
	Lock in OFF position	Padlock	
Direct rotary handle	Lock in <ul style="list-style-type: none"> ■ OFF position ■ OFF or ON position ^[1] 	Padlock	-
	Lock in <ul style="list-style-type: none"> ■ OFF position ■ OFF or ON position ^[2] with door opening prevented for extended For extended, door opened, lock in OFF position	Padlock	-

[1] Following a simple modification of the mechanism.

[2] Following a simple modification of the mechanism - black handle only.

Sealing accessories

Sealing accessories are available. Each bag of accessories contains all the parts required for the types of sealing indicated below.

A bag contains:

- 6 sealing accessories
- 6 plastic seals.

Types of seals and corresponding functions

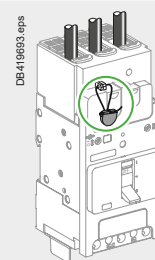
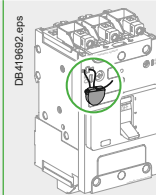
Protected operations

Control type

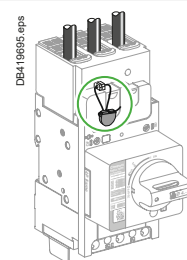
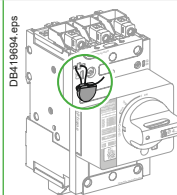
- Front removal
- Access to auxiliaries.

- Access to power connections

Toggle



Rotary handle



Installation recommendations

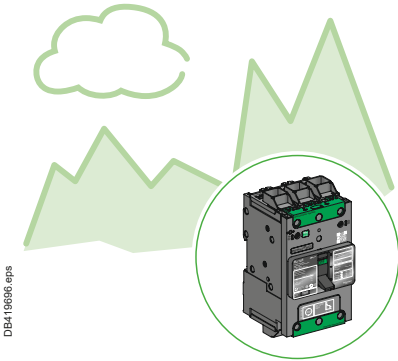
Operating and installation conditions.....	B-2
Voltage release wiring rules.....	B-3
Installation in equipment	
Safety clearances and minimum distances	B-7
B-Frame safety clearance, UL standard	B-8
B-Frame safety clearance, IEC standard	B-9



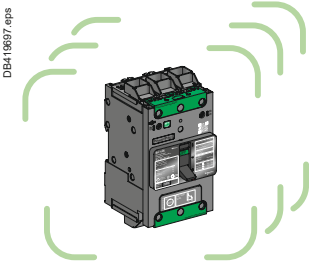
Other chapters	
Functions and characteristics	A-1
Dimensions	C-1
Wiring diagrams.....	D-1
Additional characteristics	E-1
Catalogue numbers	F-1
Glossary	G-1

Operating and installation conditions

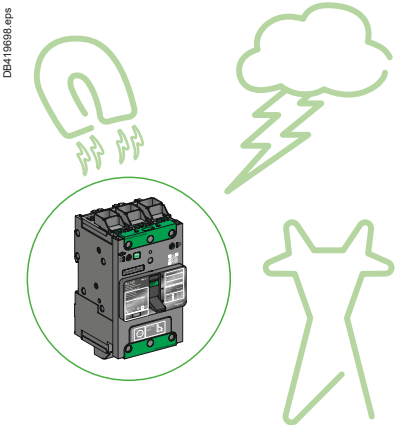
B



DB419656.eps



DB419657.eps



DB419658.eps

Ambient temperature

PowerPact Multistandard circuit breakers may be used between -25 °C and +70 °C (-13°F and 158°F).

For temperatures higher than 40 °C (104°F) inside the enclosure, devices must be derated.

Circuit breakers should be put into service under normal ambient, operating-temperature conditions.

Exceptionally, the circuit breaker may be put into service when the ambient temperature is between -35 °C and -25 °C (-31°F and -13°F).

The permissible storage-temperature range for PowerPact Multistandard circuit breakers in the original packing is -50 °C and +85 °C (-67°F and 185°F).

Altitude derating

Altitude does not significantly affect the characteristics of PowerPact Multistandard circuit breakers up to 2000 m (6560 ft). Above this altitude, it is necessary to take into account the decrease in the dielectric strength and cooling capacity of air.

The following table gives the corrections to be applied for altitudes above 2000 m (6560 ft).

The breaking capacities remain unchanged.

Altitude (m)	2000 (6560 ft)	3000 (9840 ft)	4000 (13120 ft)	5000 (16400 ft)
Impulse withstand voltage (kV)	8	7.1	6.4	5.6
Insulation voltage (V) U_i	800	710	635	560
Maximum operational voltage (V) U_e	690	690	635	560
Average current capacity (A) $I_n \times$ at 40 °C (104 °F)	1.0	0.98	0.96	0.94

Vibrations

PowerPact B Multistandard devices resist mechanical vibrations.

They meet following levels of IEC 60068-2-6:

- 2.0 to 25 Hz and amplitude ± 1.6 mm
- 25 to 100 Hz acceleration ± 4 g.

Excessive vibration may cause tripping, breaks in connections or damage to mechanical parts.

Climatic withstand

The materials used in PowerPact B circuit breakers will not support the growth of fungus and mold.

PowerPact B circuit breakers have passed the test defined below for extreme atmospheric conditions.

Dry cold and dry heat:

- IEC 60068-2-1-dry cold at -55 °C
- IEC 60068-2-2-dry heat at +85 °C.

Damp heat (tropicalization)

- IEC 60068-2-30-damp heat (temperature + 55 °C and relative humidity of 95 %).
- IEC 60068-2-52 severity 2 - Cycling salt mist.

Electromagnetic disturbances

PowerPact B Multistandard devices have successfully passed the electromagnetic-compatibility tests (EMC) defined by the following international standards: IEC/EN 60947-2: Low-voltage switchgear and controlgear, part 2: circuit breakers.

Operating and installation conditions

Voltage release wiring rules

Shunt trip (MX) and undervoltage release (MN)

Recommended maximum cable lengths

In certain circumstances, high cable capacitance due to an excessive cable length could prevent an undervoltage release MN from dropping out resulting in safety issues. In case of a shunt trip MX, an untimely trip may occur due to capacitive current leak.

To avoid these dysfunction due to cable capacitance C, the maximum cable length (L) is defined by the following table for a 1.5 mm² cable (16AWG).

Power supply voltage (Un)	Maximum cable length undervoltage trip (MN) [1]	Shunt trip (MX) [1]
24 V AC	1 243 m (4,078 ft)	3 653 m (11,985 ft)
24 V DC	unlimited	> 3653 m (11,985 ft)
48 V AC	583 m (1912 ft)	1 667 m (5,469 ft)
48 V DC	unlimited	> 1667 m (5,469 ft)
110...130 V AC	126 m (413 ft)	913 m (2,995 ft)
110...130 V DC	unlimited	> 913 m (2,995 ft)
208-240 V AC	109 m (358 ft)	160 m (525 ft)
250 V DC	unlimited	> 160 m (525 ft)
277 V AC	98 m (322 ft)	120 m (394 ft)
380-415 V AC	86 m (282 ft)	80 m (262 ft)
440-480 V AC	56 m (184 ft)	67 m (220 ft)

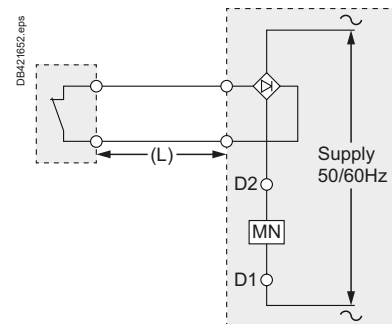
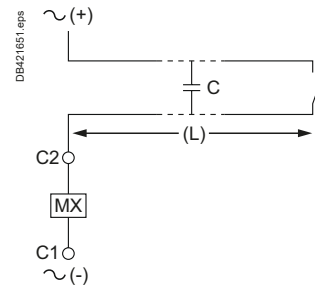
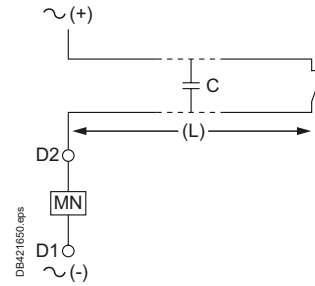
[1] Make sure auxiliaries supply voltage is within working range (0.85 Un mini...1.1 Un maxi).

If a longer cable length is required, several solutions are possible to counteract excessive cable capacitance:

- use DC operated auxiliaries
- use lower control voltage (make sure auxiliaries supply voltage is within working range: 0.85 Un minimum...1.1 Un maximum)
- if high voltage and long control cables are required for an AC undervoltage release (MN), add a rectifier bridge (ref LV426899 – DIN rail compatible) in the control circuit. It will prevent drop out problems but increase operating time.

Electrical characteristics of MN/MX

Characteristics			AC	DC
Rated voltage (V)			24, 48, 110...130, 208...240, 277, 380...415, 440... 480	24, 48, 125, 250
Power requirements	MX	Pickup (< 50 ms)	< 6 VA	< 10 W
		Seal-in	< 4 VA	< 1 W
Clearing time (ms)	MN		< 7 VA	< 2 W
			< 50	< 50
Operating range			up to 1.1 Un	



Operating and installation conditions

B

Derating and correction factor depending of temperature

The overload protection is calibrated at 40 °C in the lab. This means that when the ambient temperature is less or greater than 40 °C, the In protection pick-up is slightly modified.

Choosing the right rating depending of the temperature

Over the reference temperature of 40°, the circuit breaker has to be derated following the table below:

Correction factor table for thermal magnetic (TM-D) PowerPact B circuit breakers

Rating (A) In	Temperature (°C / °F)						
	40 / 104	45 / 113	50 / 122	55 / 131	60 / 140	65 / 149	70 / 158
15	15	14	14	13	12	12	11
20	20	19	19	18	18	17	16
25	25	24	24	23	22	21	20
30	30	29	28	27	26	25	24
35	35	34	33	32	31	31	30
40	40	39	38	37	36	35	33
45	45	44	42	41	39	37	36
50	50	49	47	45	44	42	40
60	60	58	56	55	53	51	48
70	70	67	64	61	59	55	53
80	80	77	73	70	67	63	59
90	90	87	83	80	76	72	68
100	100	99	96	92	85	80	69
110	110	107	103	99	94	89	76
125	125	121	117	112	109	104	100

Operating and installation conditions

Calculating the tripping time for a given temperature:

After having determine the corrected ratio I/In, the tripping time at 40°C (104°F) is defined with the tripping curves (see page E-2 and page E-6).

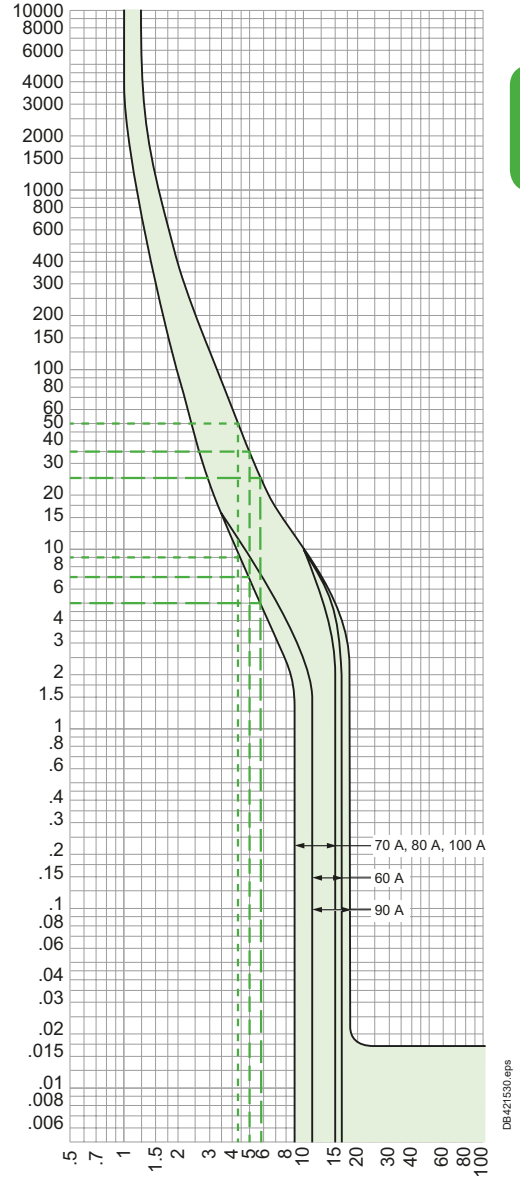
Then to obtain the tripping time at a different temperature, the ratio I/In has to be corrected with the correction factor below:

Correction factor table for thermal magnetic (TM-D) PowerPact B circuit breakers

Rating (A) In	Temperature (°C / °F)													
	10 / 50	15 / 59	20 / 68	25 / 77	30 / 86	35 / 95	40 / 104	45 / 113	50 / 122	55 / 131	60 / 140	65 / 149	70 / 158	
15	1.21	1.18	1.15	1.11	1.08	1.04	1	0.96	0.92	0.87	0.83	0.78	0.72	
20	1.16	1.13	1.11	1.08	1.06	1.03	1	0.97	0.94	0.91	0.88	0.85	0.81	
25	1.15	1.13	1.11	1.08	1.05	1.03	1	0.97	0.94	0.91	0.88	0.85	0.82	
30	1.16	1.14	1.11	1.08	1.06	1.03	1	0.97	0.94	0.91	0.87	0.84	0.80	
35	1.13	1.11	1.09	1.07	1.05	1.02	1	0.98	0.95	0.93	0.90	0.87	0.85	
40	1.14	1.12	1.10	1.07	1.05	1.03	1	0.97	0.95	0.92	0.89	0.86	0.83	
45	1.17	1.15	1.12	1.09	1.06	1.03	1	0.97	0.94	0.90	0.87	0.83	0.79	
50	1.16	1.14	1.11	1.08	1.06	1.03	1	0.97	0.94	0.91	0.87	0.84	0.80	
60	1.16	1.14	1.11	1.08	1.06	1.03	1	0.97	0.94	0.91	0.88	0.84	0.81	
70	1.18	1.15	1.13	1.10	1.06	1.03	1	0.96	0.91	0.88	0.84	0.79	0.75	
80	1.19	1.15	1.12	1.09	1.06	1.03	1	0.96	0.92	0.88	0.83	0.79	0.74	
90	1.19	1.15	1.12	1.10	1.06	1.04	1	0.96	0.92	0.89	0.84	0.80	0.75	
100	1.21	1.18	1.15	1.12	1.09	1.05	1	0.99	0.96	0.92	0.85	0.80	0.69	
110	1.19	1.16	1.13	1.10	1.07	1.04	1	0.98	0.94	0.90	0.85	0.80	0.70	
125	1.17	1.14	1.12	1.09	1.06	1.03	1	0.96	0.94	0.90	0.87	0.83	0.80	

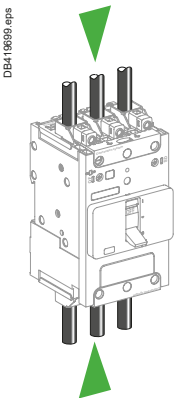
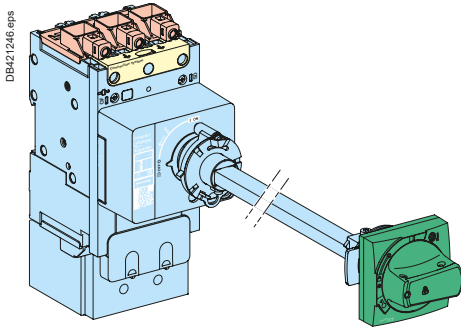
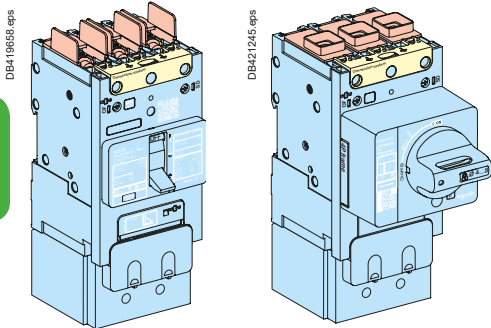
Example: What is the tripping time of a PowerPact B 100 A for an overload of 500 A?

- At 40 °C, I/In = 5/1 = 5, tripping time is between 7 and 35 seconds.
- At 20 °C, I/In = 5/1.15 = 4.35, tripping time is between 9 and 50 seconds.
- At 60 °C, I/In = 5/0.85 = 5.88, tripping time is between 5 and 25 seconds.



Operating and installation conditions

B



Protection degree

Protection degree of the product, according to IEC60259, depends of its configuration:

Colours	Definition
	IP 54/65: side / front extended rotary handle
	IP 40: front cover, side, back, long terminal shield, direct rotary handle
	IP20: power connection cover
	may be IP20 or less depending of the kind of power connections and cable size used

Reverse feeding

PowerPact B Multistandard circuit breakers can be supplied from either the top or the bottom without any reduction in performance giving the designer/installer flexibility in choosing the mounting location for the breaker and feed cables. All connection and insulation accessories can be used on circuit breakers supplied either from the top or bottom.

Weight

The table below presents the weights of the circuit breakers.

Type of device	Circuit breakers	
B-frame	1P	510 g / 1.1 lbs
	2P	770 g / 1.7 lbs
	3P	1070 g / 2.4 lbs
	4P	1440 g / 3.2 lbs

Installation recommendations

Installation in equipment

Safety clearances and minimum distances

B

General rules

When installing a circuit breaker, minimum distances (safety clearances) must be maintained between the device and panels, busbars and other protection devices installed nearby. These distances are defined by tests carried out in accordance with UL standards.

If installation is not checked by type tests, it is also necessary to:

- use insulated bars for circuit-breaker connections
- segregate the busbars using phase barriers.

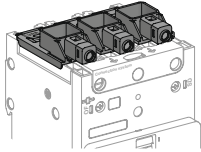
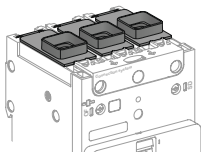
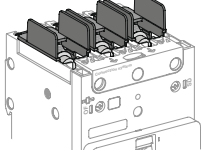
For PowerPact Multistandard devices, terminal shields and interphase barriers are recommended and may be mandatory depending on type of installation (unit-mount, drawout, etc.).

Power connections

The table below indicates the connection requirements for PowerPact B Multistandard devices to ensure insulation of live parts for the various types of connection.

Connection accessories such as spreaders and some crimp lugs are supplied with interphase barriers. Long terminal shields provide a degree of protection of IP40.

PowerPact-B Multistandard: rules to be respected to ensure insulation of live parts

	EverLink connector with or without control wire terminal	Mechanical lug connector	Compression lug / busbar connector
	 DB418926.eps	 DB418927.eps	 DB418928.eps

Insulation accessory options per conductor type

Type of conductor	No insulating accessory	Interphase barriers	Long terminal shield	No insulating accessory	Interphase barriers	Long terminal shield	No insulating accessory	Interphase barriers	Long terminal shield
Cables  DB419248.eps	Possible	-	-	Possible	Possible	Possible	-	-	-
Insulated bars  DB419249.eps	-	-	-	-	-	-	Possible	Possible	Possible
Cables + crimp lugs  DB418950.eps	-	-	-	-	-	-	Forbidden	Mandatory	Possible ^[1]
Cables + crimp lugs with heat-shrinkable sheath  DB419251.eps	-	-	-	-	-	-	Possible	Possible	Possible
Extension terminals: spreader  DB419252.eps	-	-	-	-	-	-	Forbidden	Mandatory	-
Extension terminals: cables + power distribution connector  DB419253.eps	-	-	-	-	-	-	Forbidden	Mandatory	Possible ^[1]

[1] Instead of phase barriers.

Note: For uninsulated bar connections, please consult us.

Installation recommendations

Installation in equipment

B-Frame safety clearance, UL standard

B

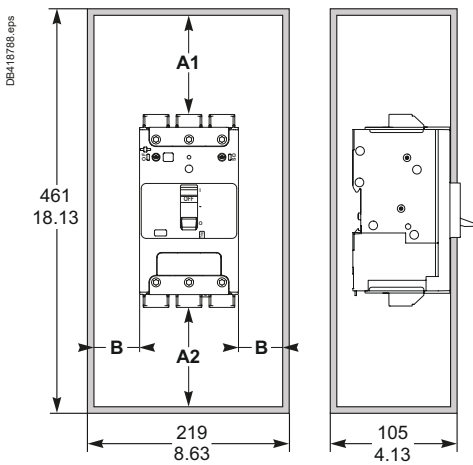
Minimum clearance between backplate and uninsulated power connections

For all types of PowerPact B-frame circuit breakers that use uninsulated power connections (for example, busbars, spreaders, or uninsulated crimped lugs), the minimum clearance distance with the enclosure backplate is shown below. When using uninsulated connectors be sure to maintain the proper clearance between live parts and grounded metallic back pan or use the insulation screen.



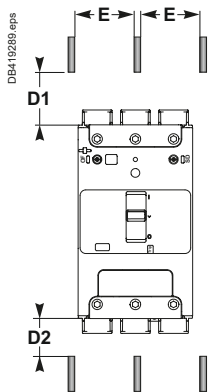
UL standard

Minimum enclosure dimensions



Operating voltage $U \leq 690$ V							
For devices equipped with:	Clearance (mm)	Between device and sheet metal					
		Between devices	Painted sheet metal			Bare sheet metal	
			A1	A2	B	A1	A2
■ no accessories	0	30 mm 1.18 in.	5 mm 0.19 in.	0	40 mm 1.57 in.	5 mm 0.19 in.	5 mm 0.19 in.
■ interphase barriers	0	0	0	0	0	0	5 mm 0.19 in.
■ long terminal shields	0	0	0	0	0	0	5 mm 0.19 in.

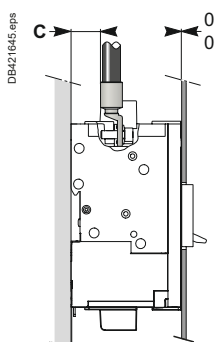
Minimum safety clearances to bare busbars



Operating voltage $U \leq 690$ V			
Clearances to live bare busbars ^[1]			
Spacing $E \leq 60$ mm (2.36 in.)		Spacing $E > 60$ mm (2.36 in.)	
D1	D2	D1	D2
200 mm 7.87 in.	100 mm 3.94 in.	120 mm 4.72 in.	60 mm 2.36 in.

[1] These clearances can be reduced for special installations as long as the configuration is checked by tests.

Compression lug safety clearance



An insulating screen or long terminal shield is required if:

- for 2, 3, 4 poles $C < 9.5$ mm (< 0.37 in.),
- for 1 pole $C < 12.7$ mm (< 0.5 in.).

Installation recommendations

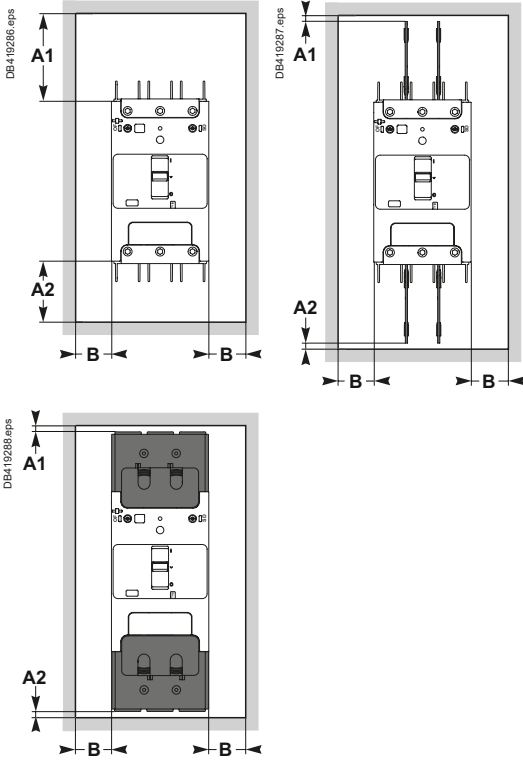
Installation in equipment

B-Frame safety clearance, IEC standard



IEC standard

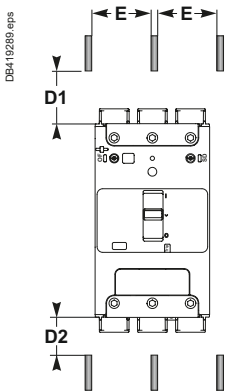
Minimum safety clearances



Operating voltage $U \leq 690$ V								
For devices equipped with:	Clearance (mm)	Between device and sheet metal						
		Between devices	Painted sheet metal			Bare sheet metal		
			A1	A2	B	A1	A2	B
■ no accessories	0	30 mm 1.18 in.	5 mm 0.19 in.	0	40 mm 1.57 in.	5 mm 0.19 in.	5 mm 0.19 in.	
■ interphase barriers	0	0	0	0	0	0	5 mm 0.19 in.	
■ long terminal shields	0	0	0	0	0	0	5 mm 0.19 in.	



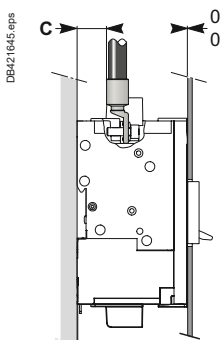
Minimum safety clearances to bare busbars



Operating voltage $U \leq 690$ V			
Clearances to live bare busbars [1]			
Spacing $E \leq 60$ mm (2.36 in.)		Spacing $E > 60$ mm (2.36 in.)	
D1	D2	D1	D2
200 mm 7.87 in.	100 mm 3.94 in.	120 mm 4.72 in.	60 mm 2.36 in.

[1] These clearances can be reduced for special installations as long as the configuration is checked by tests.

Compression lug safety clearance



- An insulating screen or long terminal shield is required if:
- for 2, 3, 4 poles $C < 9.5$ mm (< 0.37 in.),
 - for 1 pole $C < 12.7$ mm (< 0.5 in.).

B

Dimensions

PowerPact B-Frame Circuit Breakers

Circuit breaker dimensions	C-2
Connectors dimensions	C-3
Terminal shield dimensions	C-4
Interphase barrier dimensions	C-5
Insulation screen	C-6
Mounting on backplate	C-7
Mounting on DIN rail	C-8
Direct rotary handle	C-9
Extended rotary handle dimensions	C-10
Front -panel cutout	C-10
Lateral rotary handle dimensions	C-11
Connection with accessories	C-12



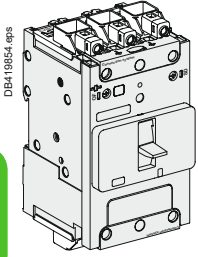
Other chapters

Functions and characteristics	A-1
Installation recommendations	B-1
Wiring diagrams	D-1
Additional characteristics	E-1
Catalogue numbers	F-1
Glossary	G-1

PowerPact B-Frame Circuit Breakers

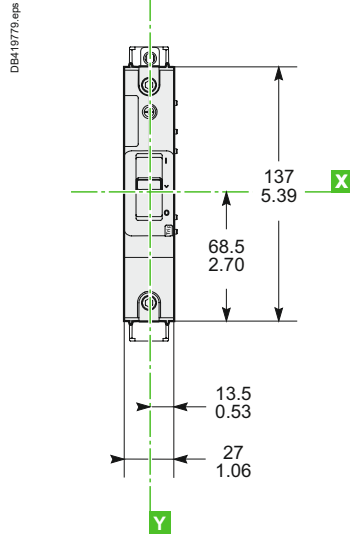
Circuit breaker dimensions

mm
in.

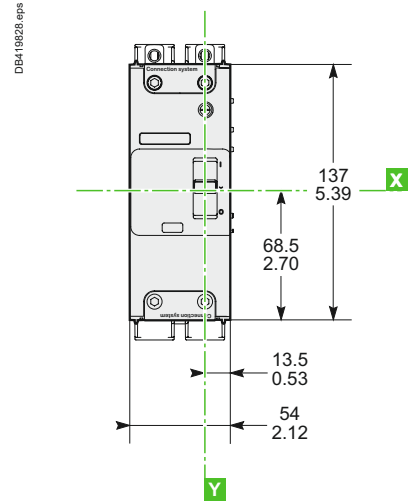


C

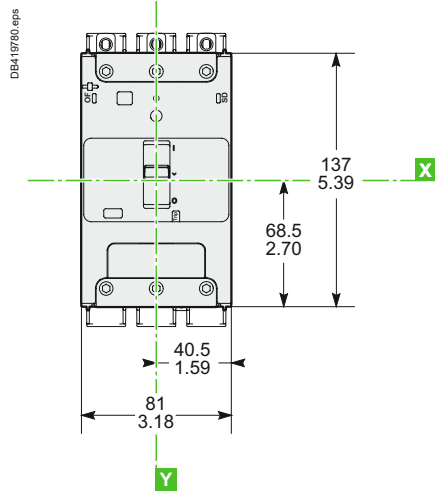
1P



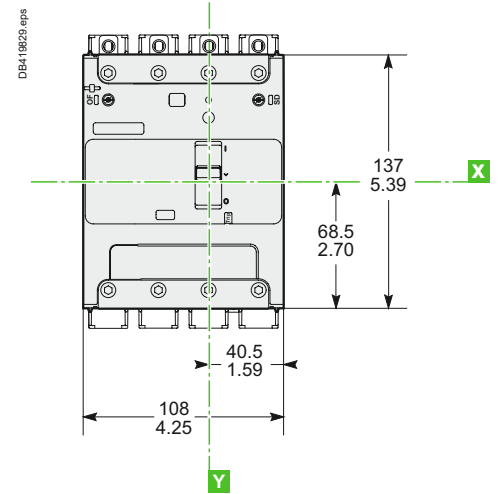
2P



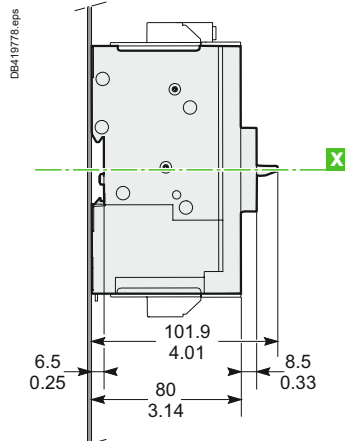
3P



4P



Side view

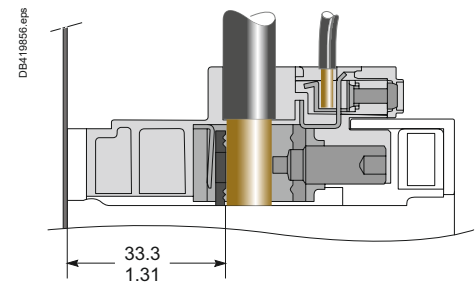
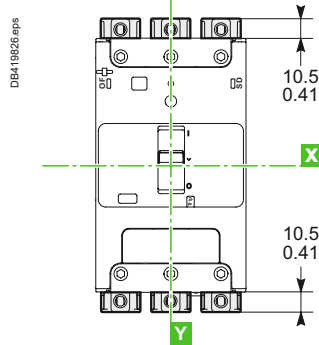
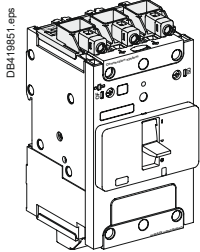


PowerPact B-Frame Circuit Breakers

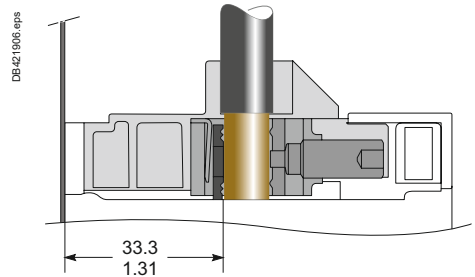
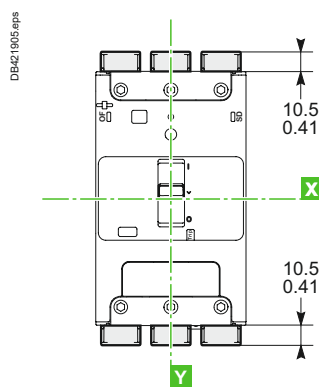
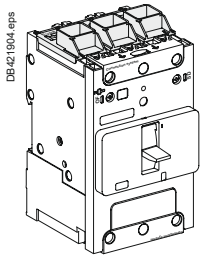
Connectors dimensions

mm
in.

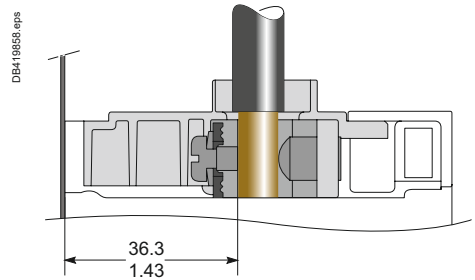
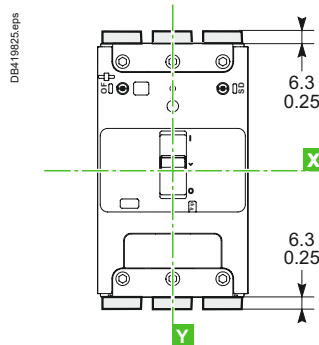
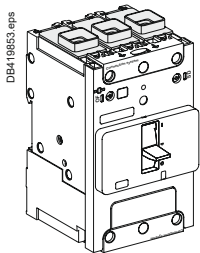
EverLink with control wire terminal connector



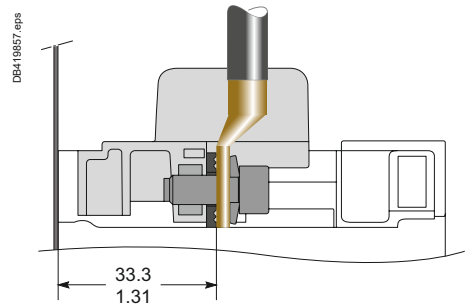
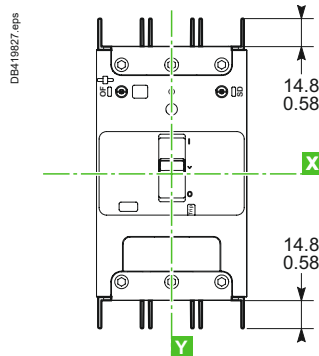
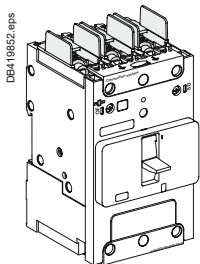
Everlink without control wire terminal connector



Mechanical lug connector



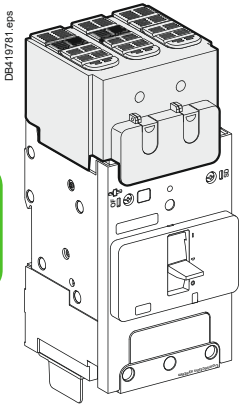
Compression lug / busbar connector



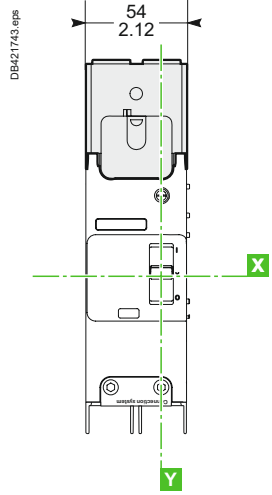
PowerPact B-Frame Circuit Breakers

Terminal shield dimensions

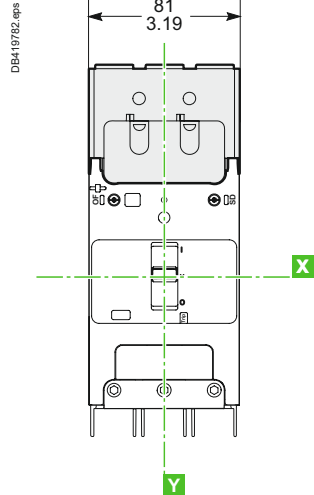
mm
in.



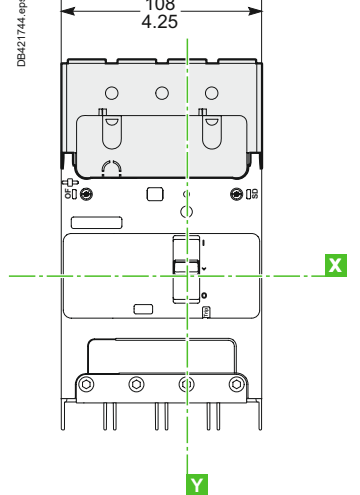
2P



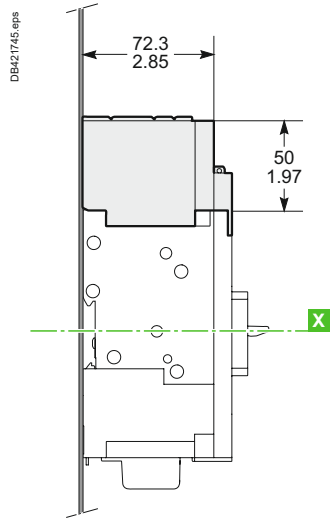
3P



4P



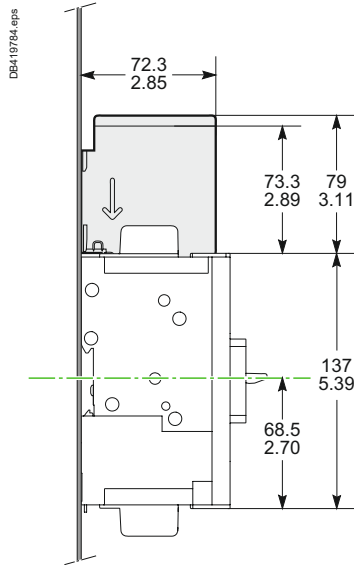
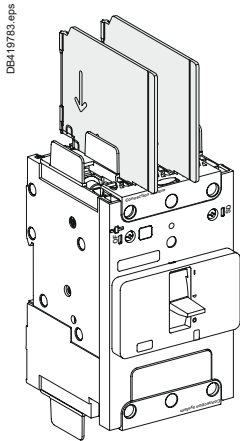
Side view



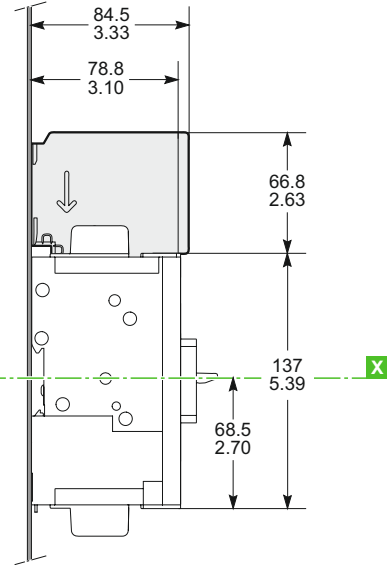
PowerPact B-Frame Circuit Breakers

Interphase barrier dimensions

mm
in.



OR

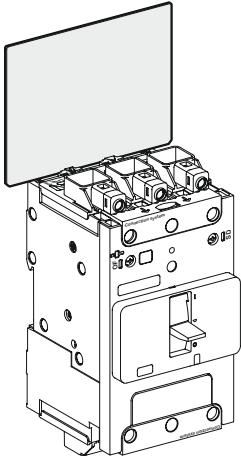


PowerPact B-Frame Circuit Breakers

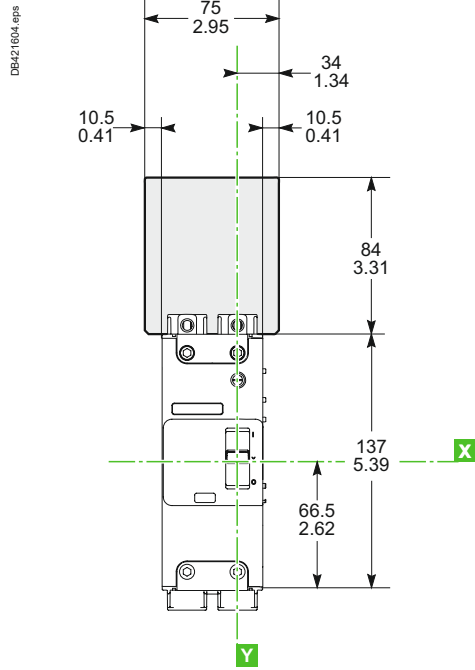
Insulation screen

mm
in.

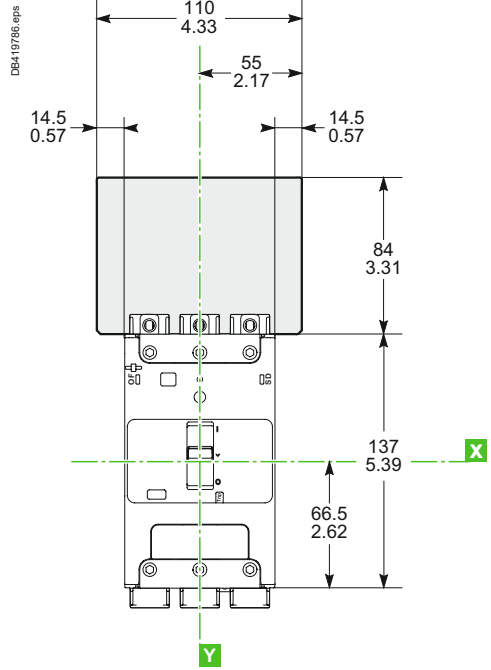
DB419785.eps



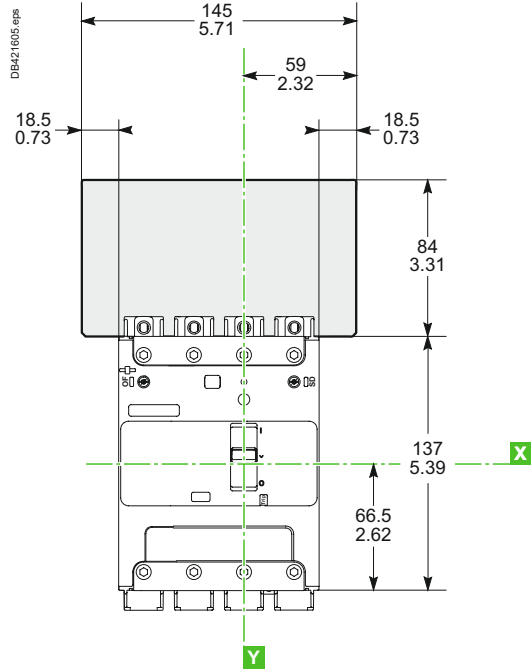
2P



3P



4P

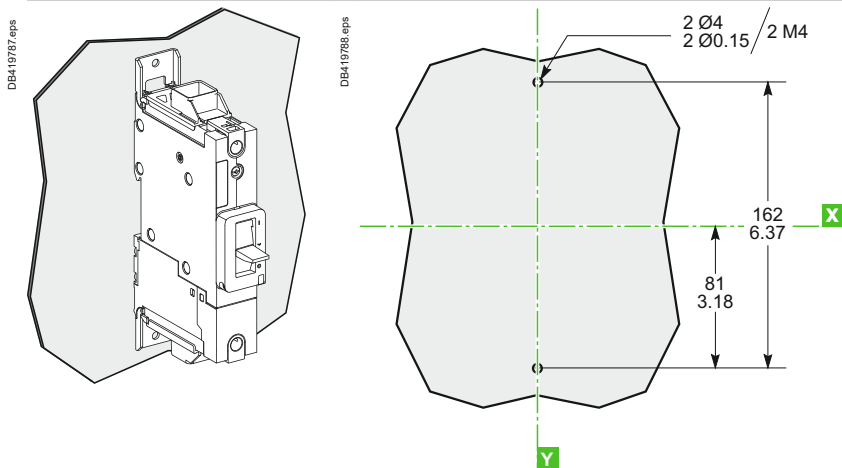


PowerPact B-Frame Circuit Breakers

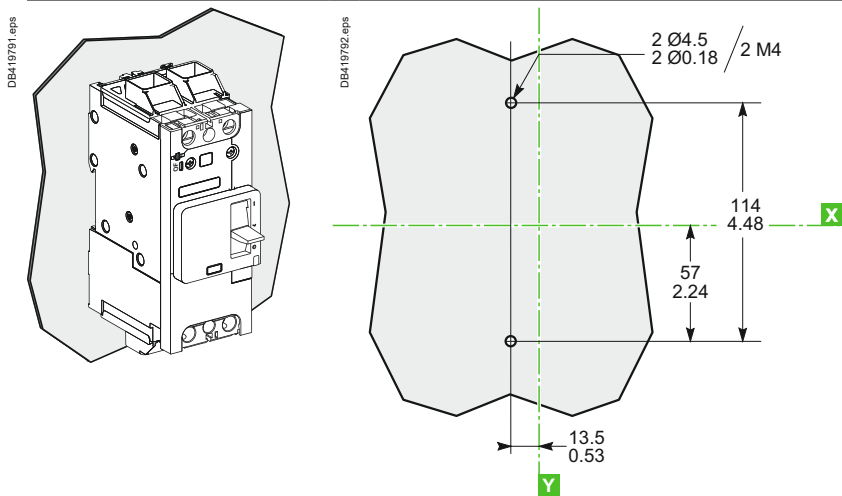
Mounting on backplate

mm
in.

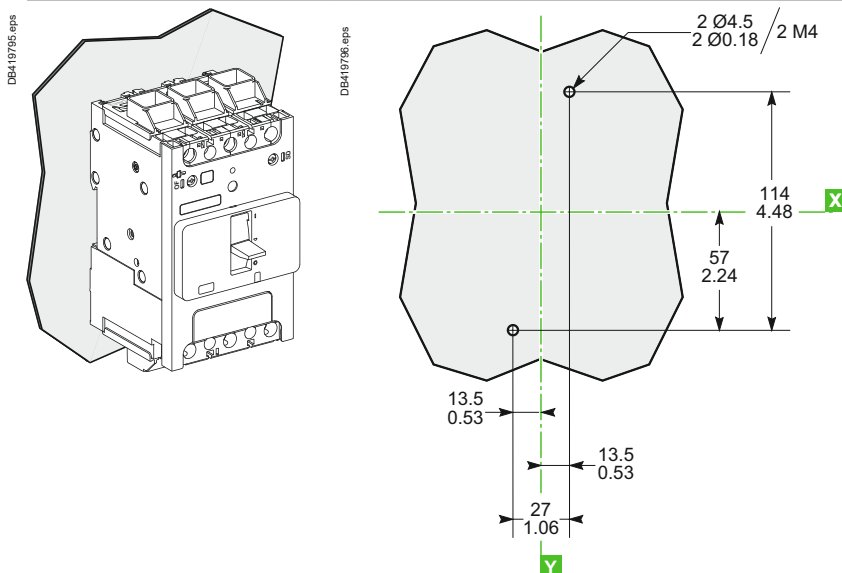
1P



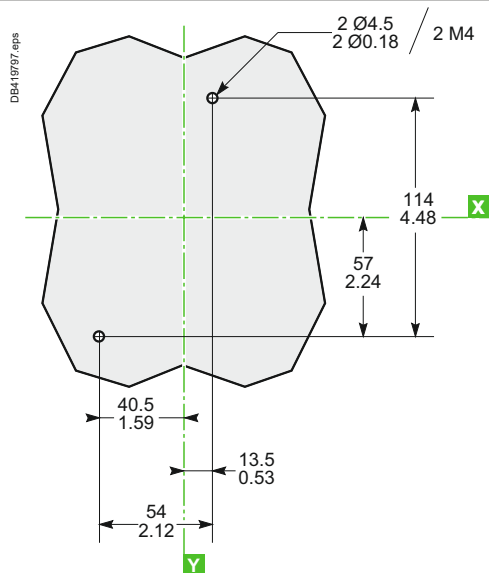
2P



3P/4P



4P

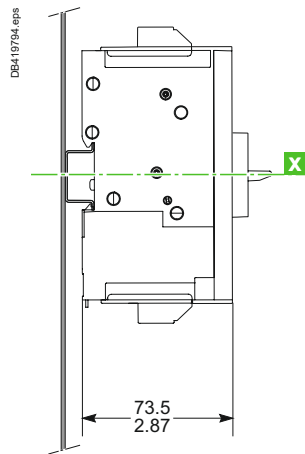
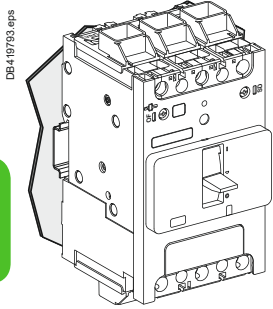


PowerPact B-Frame Circuit Breakers

Mounting on DIN rail

mm
in.

1P, 2P, 3P, 4P



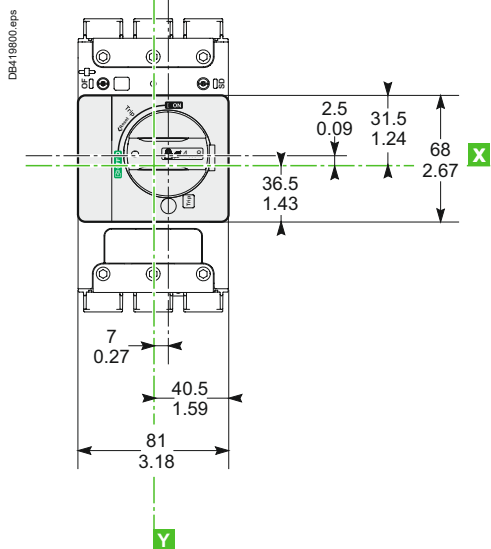
C

PowerPact B-Frame Circuit Breakers

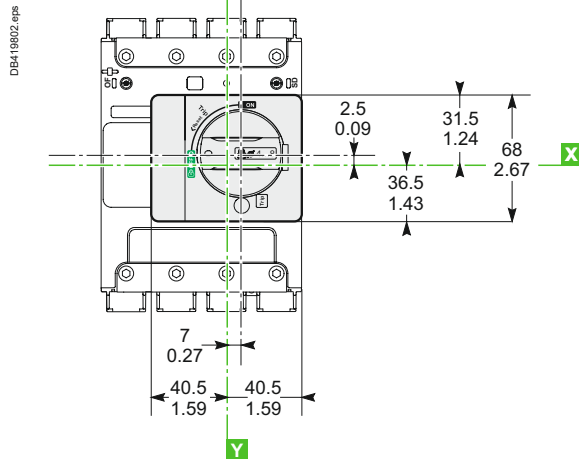
Direct rotary handle

mm
in.

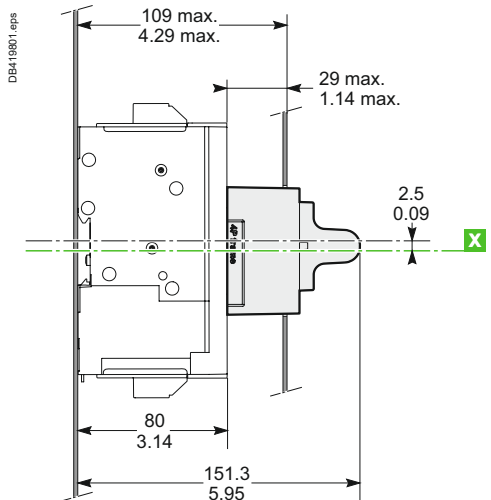
3P



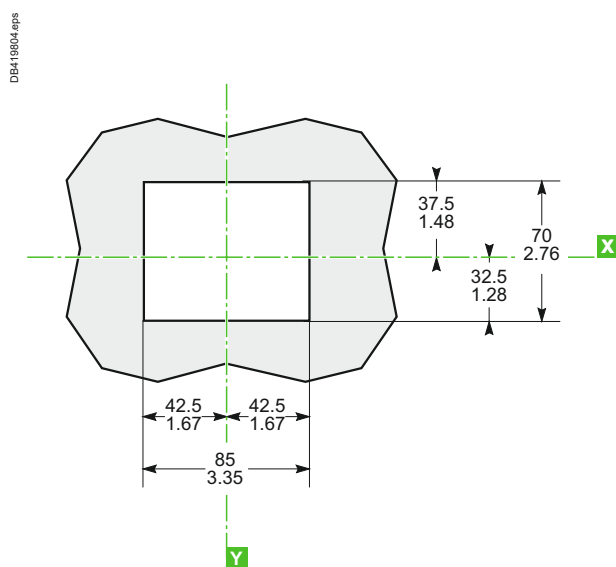
4P



Side view



Door cutout for 3P/4P



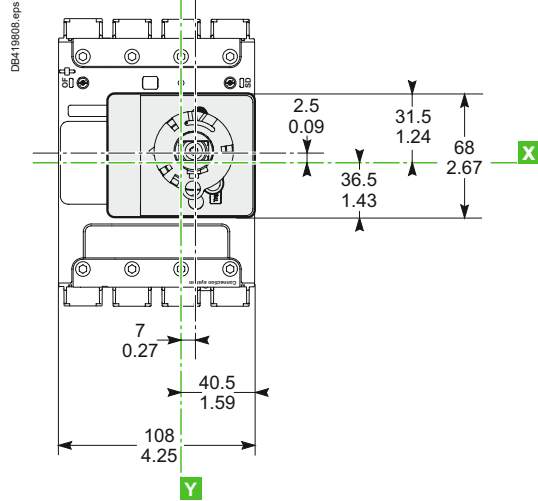
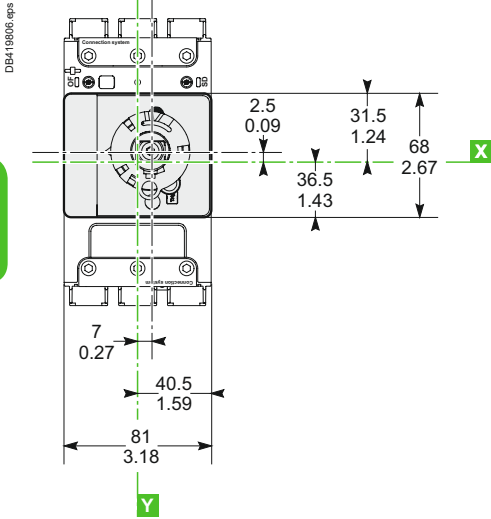
PowerPact B-Frame Circuit Breakers

Extended rotary handle dimensions

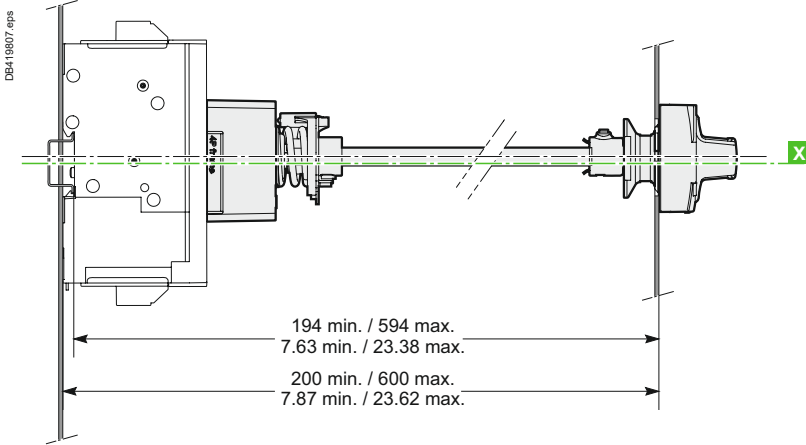
mm
in.

3P

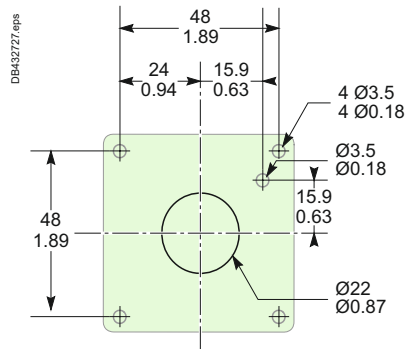
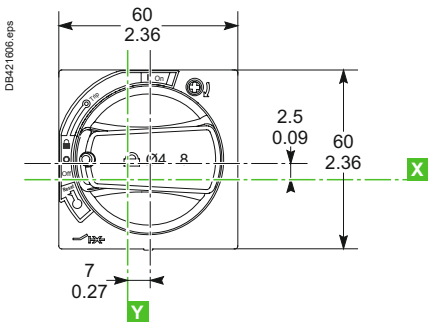
4P



3P/4P



Front-panel cutout

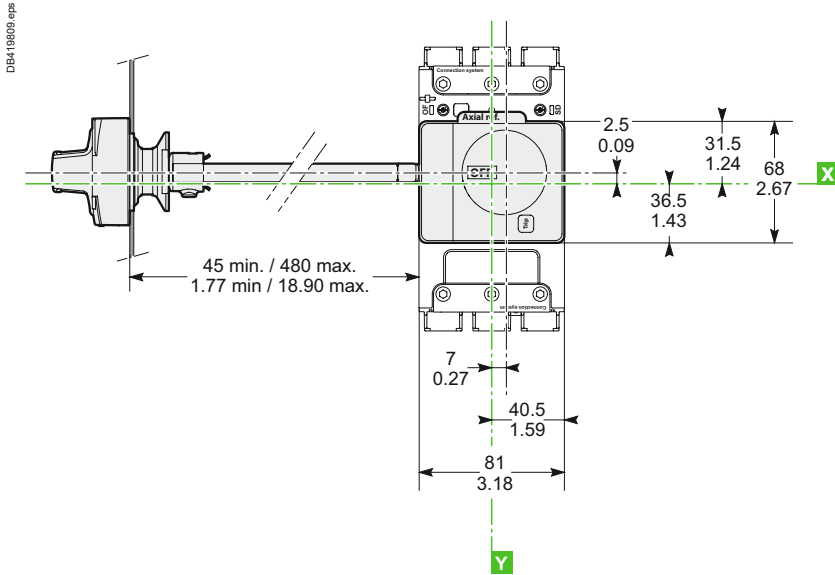


PowerPact B-Frame Circuit Breakers

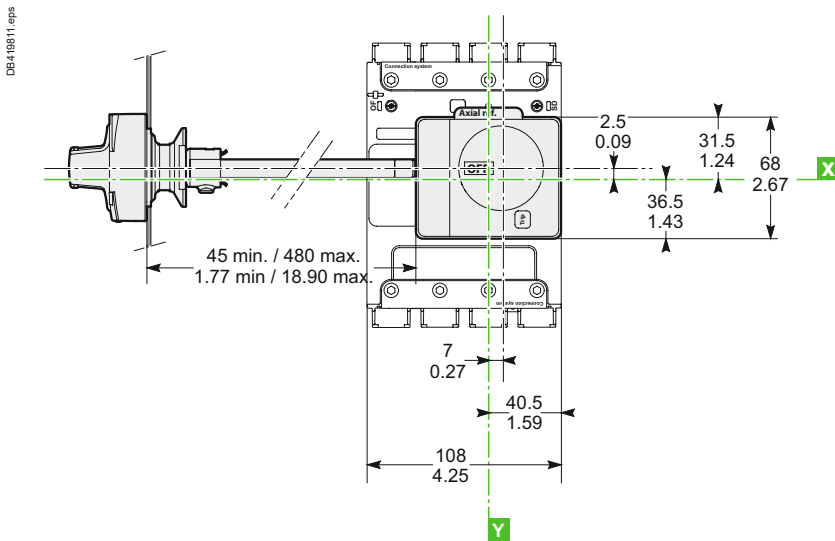
Lateral rotary handle dimensions

mm
in.

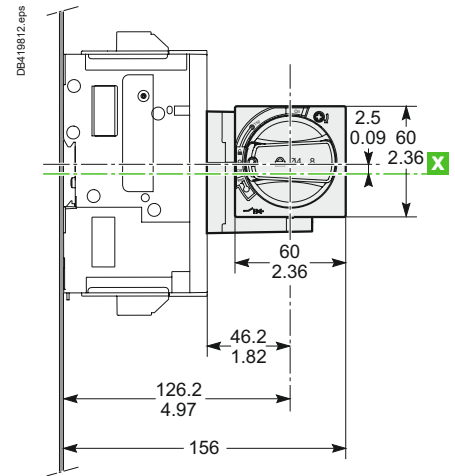
3P



4P



3P / 4P



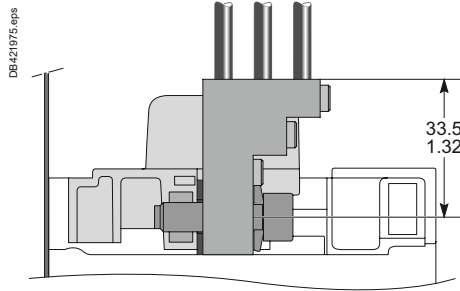
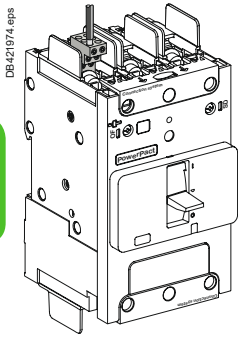
PowerPact B-Frame Circuit Breakers

Connection with accessories

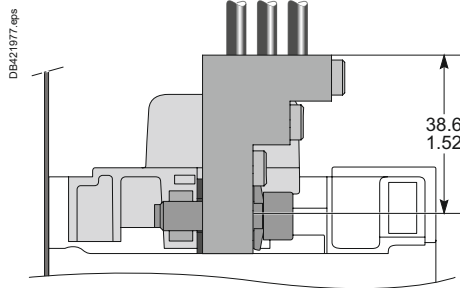
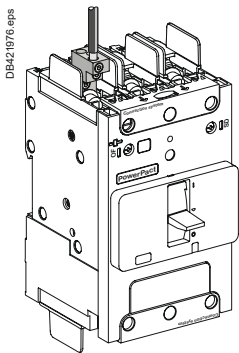
mm
in.

Power distribution connectors

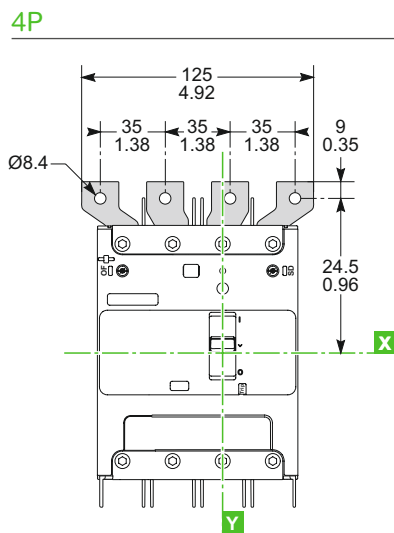
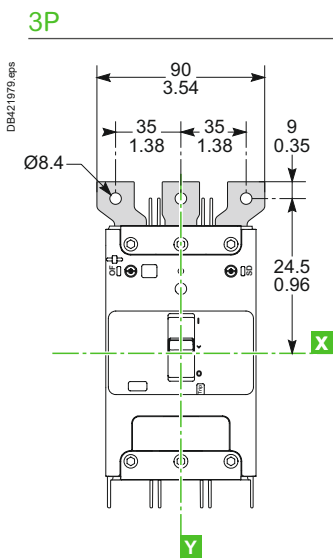
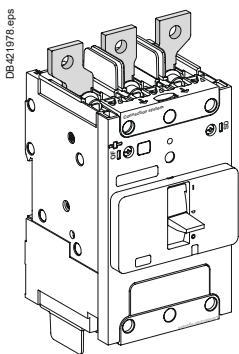
6 holes



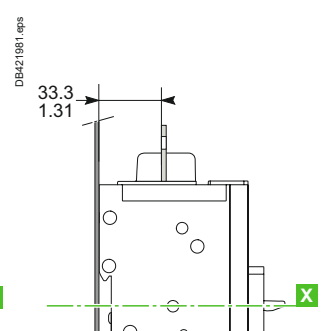
3 holes



Spreaders



Side view



Wiring diagrams

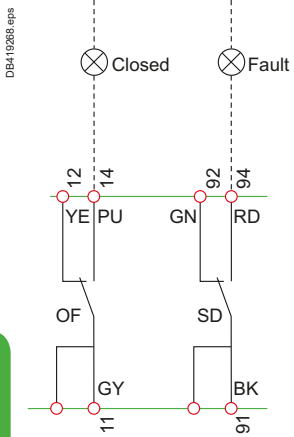
PowerPact B-Frame AuxiliariesD-2



Other chapters	
Functions and characteristics	A-1
Installation recommendations	B-1
Dimensions	C-1
Additional characteristics	E-1
Catalogue numbers	F-1
Glossary	G-1

PowerPact B-Frame Auxiliaries

Indication contacts OF and SD



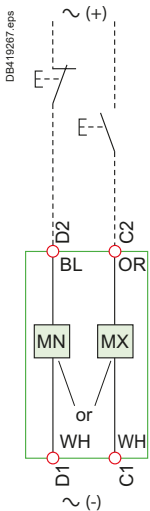
Indication contacts

OF	Device ON/OFF indication contacts
SD	Trip indication contact

Color code for auxiliary wiring

RD:	Red
YE:	Yellow
BK:	Black
GN:	Green
PU:	Purple
GY:	Grey

Remote operation (MN/MX voltage release)



Remote operation

MN	Undervoltage Release
or	
MX	Shunt trip Release

Color code for auxiliary wiring

OR:	Orange
BL:	Blue
WH:	White

The diagram is shown with circuits de-energized, relays in normal position, and all devices open, connected, and charged. Terminal connections shown as **○** must be connected by the customer.

Additional characteristics

PowerPact Multistandard thermal-magnetic trip circuit breakers

PowerPact B-Frame 15/20 A thermal-magnetic trip.....	E-2
PowerPact B-Frame 25/30 A thermal-magnetic trip	E-3
PowerPact B-Frame 35/50 A thermal-magnetic trip	E-4
PowerPact B-Frame 60/100 A thermal-magnetic trip	E-5
PowerPact B-Frame 110/125 A thermal-magnetic trip	E-6

Distribution system

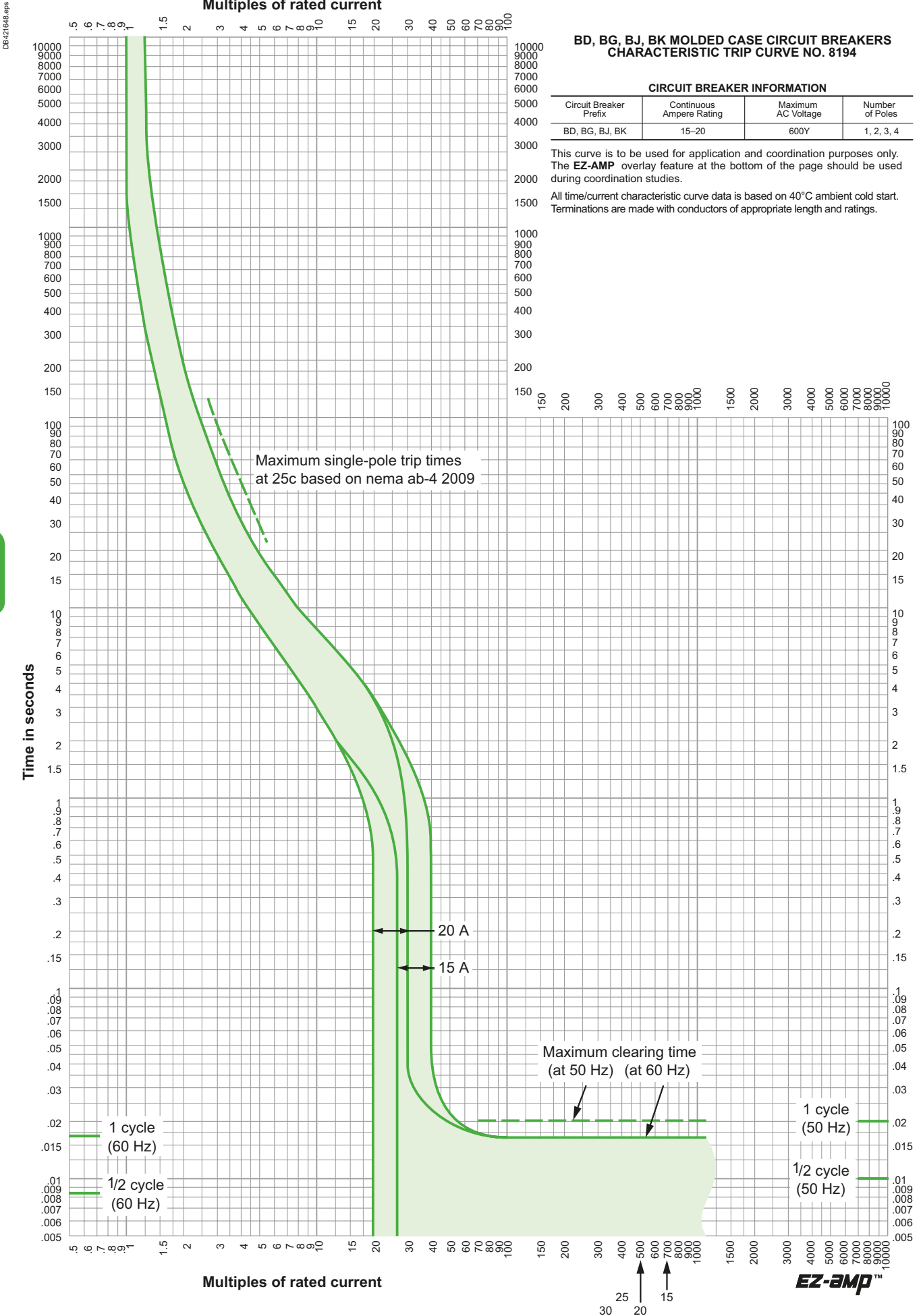
Plates for mounting on busbars	
Short-circuit withstand capability	E-9



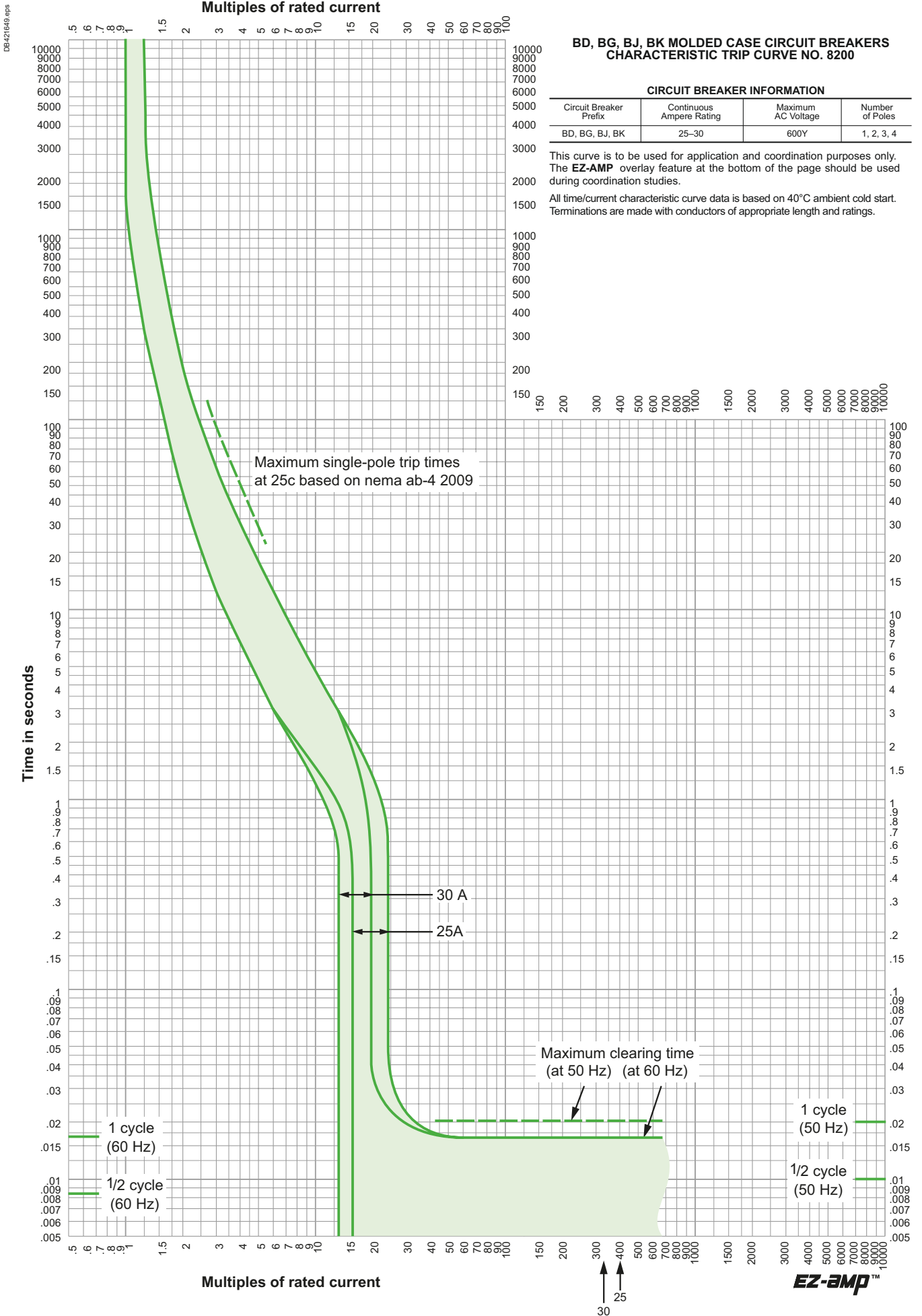
Other chapters

Functions and characteristics	A-1
Installation recommendations	B-1
Dimensions	C-1
Wiring diagrams.....	D-1
Catalogue numbers	F-1
Glossary	G-1

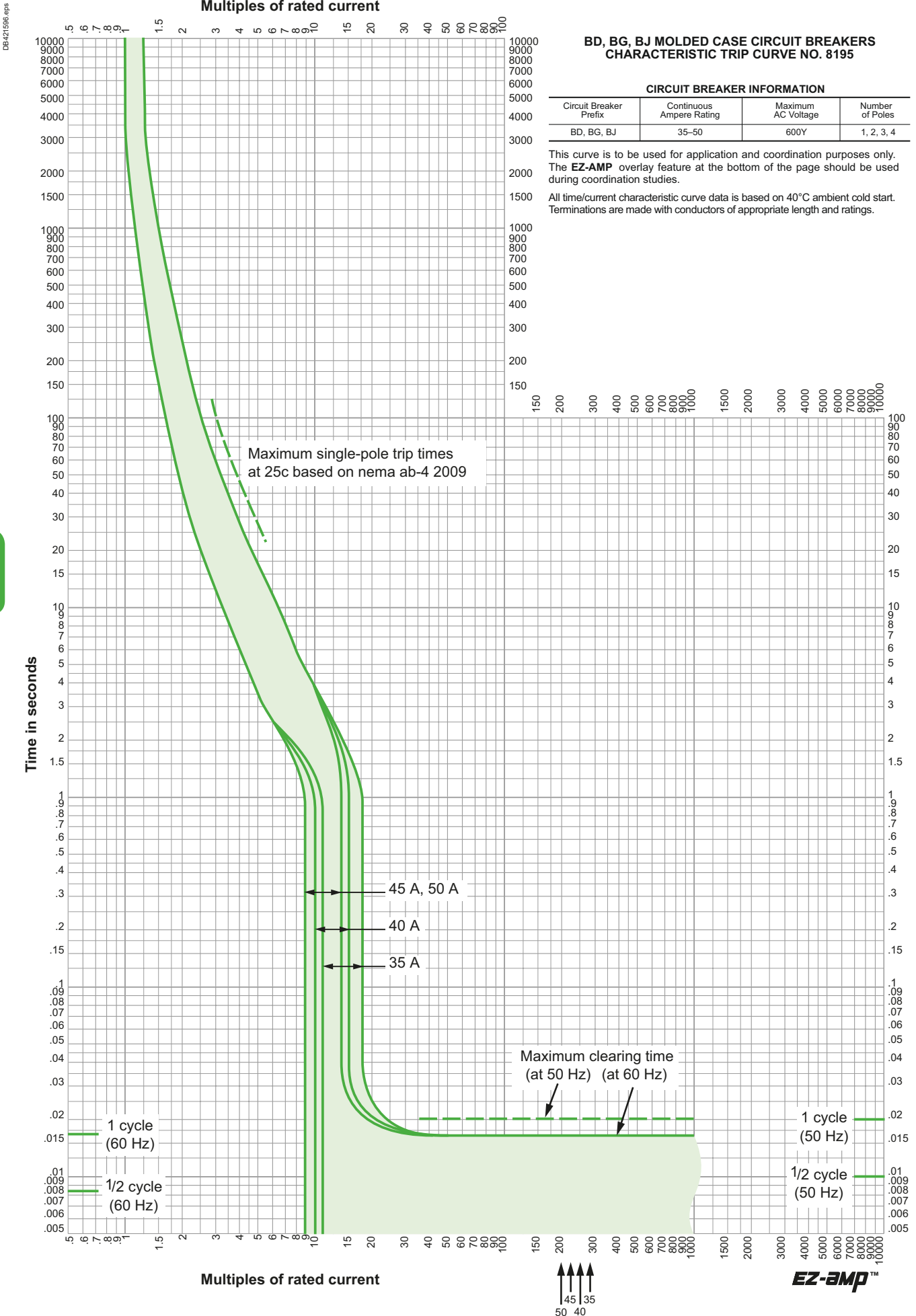
PowerPact B-Frame 15/20 A thermal-magnetic trip



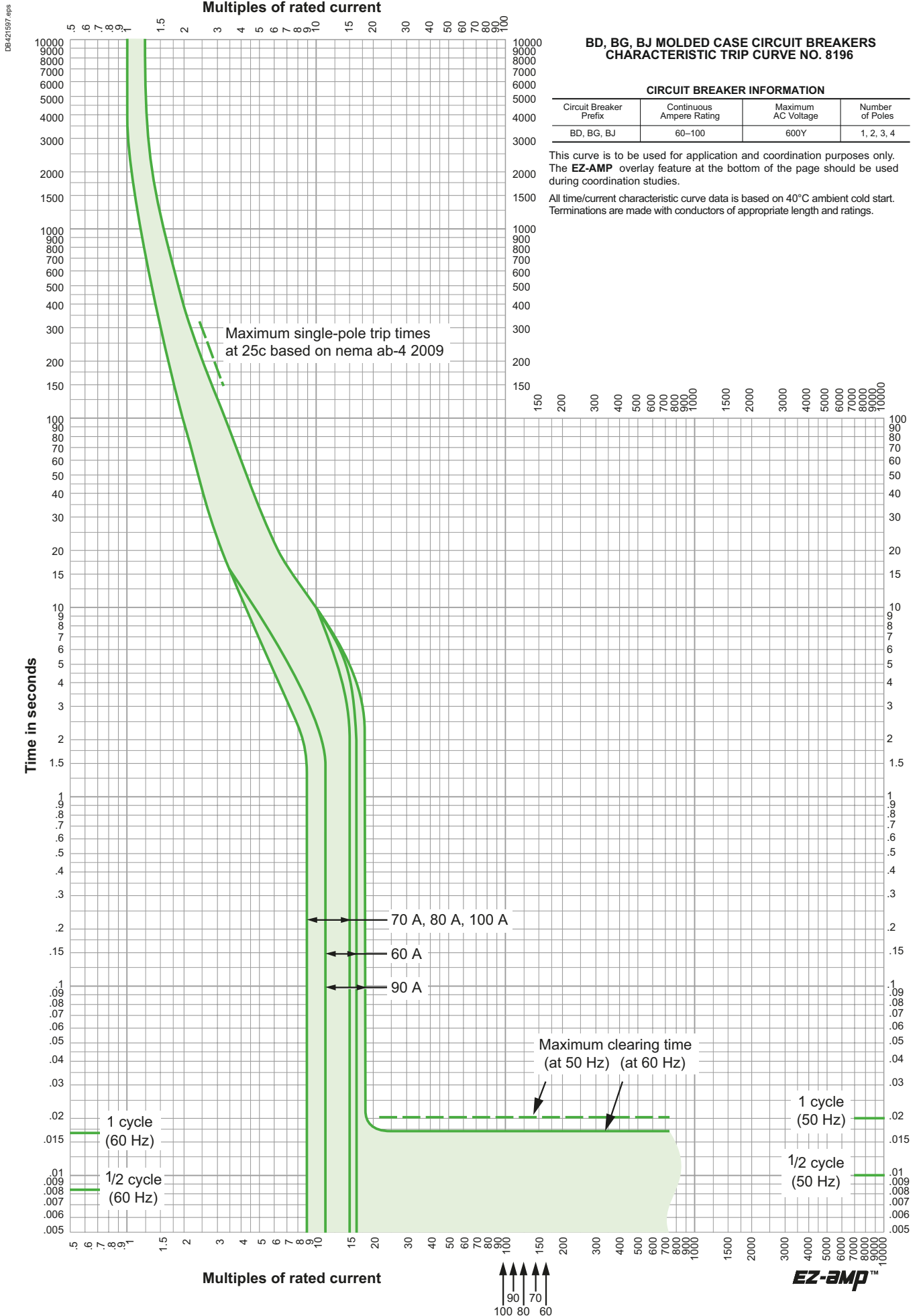
PowerPact B-Frame 25/30 A thermal-magnetic trip



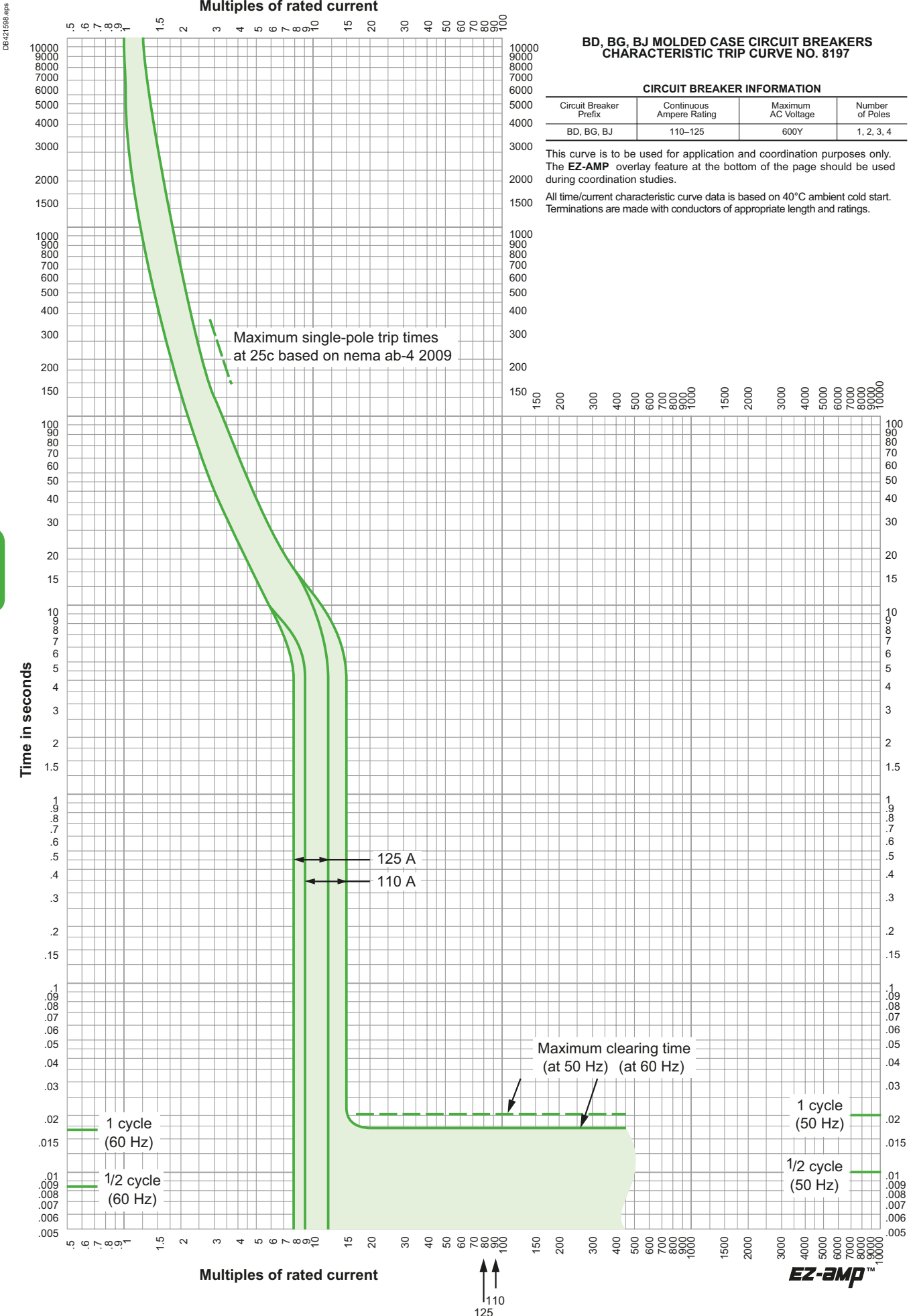
PowerPact B-Frame 35/50 A thermal-magnetic trip



PowerPact B-Frame 60/100 A thermal-magnetic trip

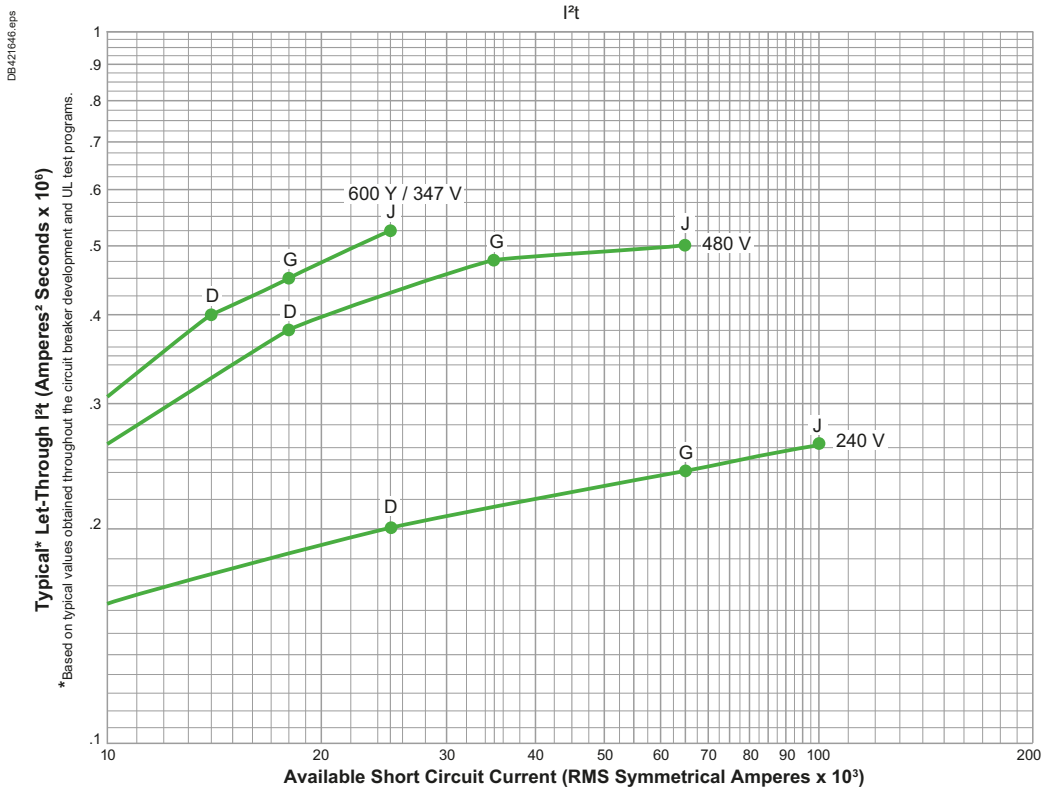


PowerPact B-Frame 110/125 A thermal-magnetic trip



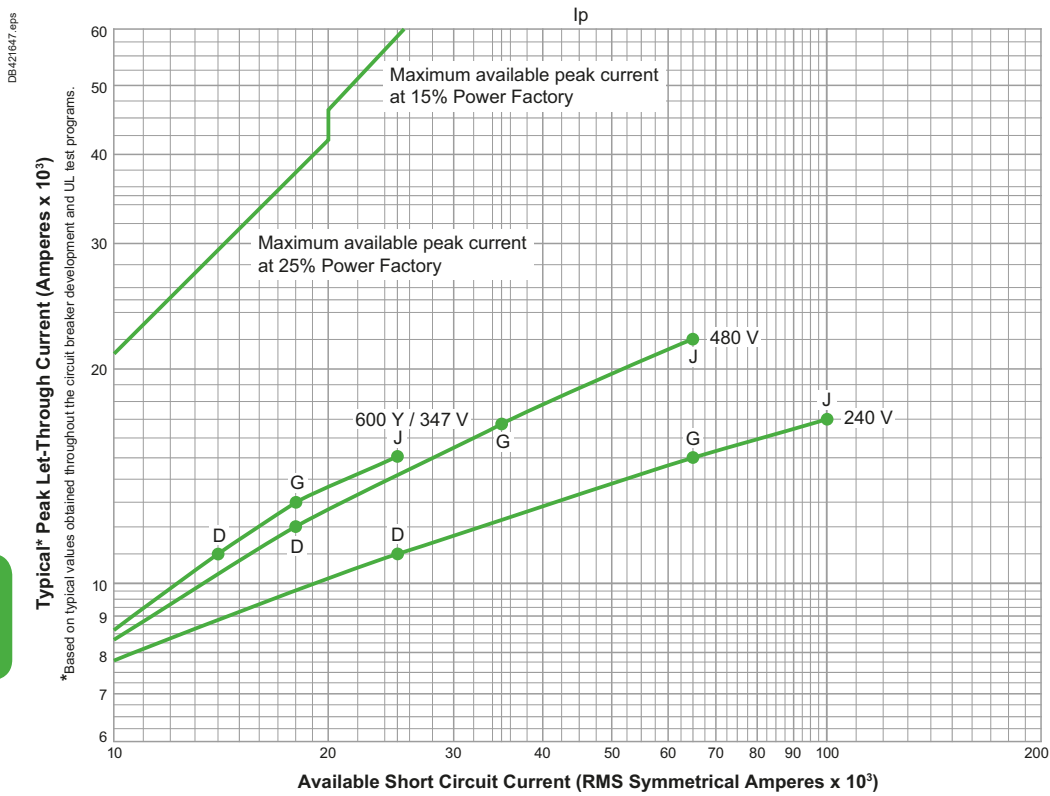
PowerPact Multistandard thermal-magnetic trip circuit breakers

B-Frame 125 A



PowerPact Multistandard thermal-magnetic trip circuit breakers

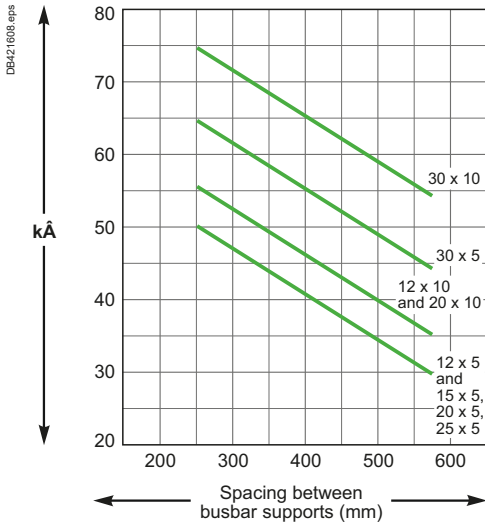
B-Frame 125 A



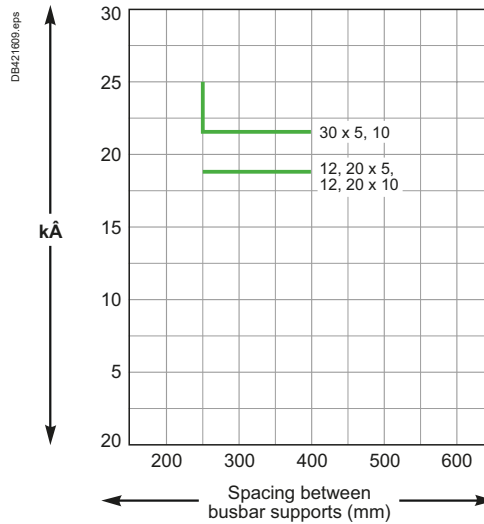
Distribution system

Plates for mounting on busbars Short-circuit withstand capability

Determining the spacing between busbar supports (LA9ZX01495 and LA9ZX01485), according to IEC 60439-1 [1]



Short-circuit strength diagram according to UL845 (LA9ZX01508)

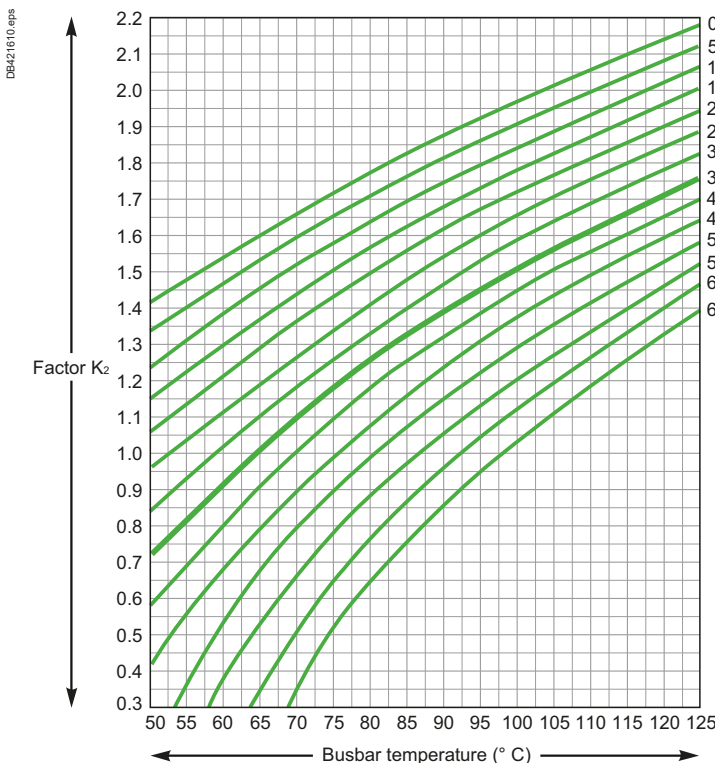


[1] Depending on the short-circuit current.

Load resistance of busbar assemblies in IEC applications

For an ambient temperature of 35 °C and a busbar temperature of 65 °C									
Cross section	mm ²	12 x 5	15 x 5	20 x 5	25 x 5	30 x 5	12 x 10	20 x 10	30 x 10
Permissible current	A	200	250	320	400	450	360	520	630

In the event of changes in climatic conditions, the following curve indicates the correction factor K_2 to be applied.



Example: In normal operating conditions, a tinned busbar of 30 x 10 can permanently withstand 630 A.

For a load of 800 A, the correction factor K_2 to be applied will be 1.3 (800/630). As a result, the temperature rise in the busbars will reach 82.5 °C.



F

Catalogue numbers

PowerPact B-Frame Circuit Breakers

Circuit Breakers	F-2
Electrical accessories	F-6
Connection accessories	F-7
Insulation accessories and rotary handles.....	F-8
Locking and sealing accessories.....	F-9



Other chapters

Functions and characteristics	A-1
Installation recommendations	B-1
Dimensions	C-1
Wiring diagrams.....	D-1
Additional characteristics	E-1
Glossary	G-1

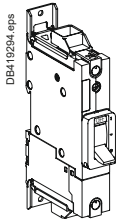
PowerPact B-Frame Circuit Breakers

Circuit Breakers

PowerPact B-Frame 125 A unit-mount thermal-magnetic circuit breakers (277 V AC) single phase rated

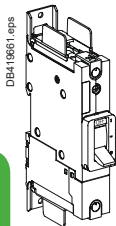
With factory sealed trip unit (suitable for reverse connection)

B-Frame, 125 A, 1P, 277 V AC 50/60 Hz with EverLink™ connectors



Current rating at 40 °C (A)	Fixed AC magnetic trip (A)		Interrupting rating Standard (80 %) rated		
	Hold	Trip	D - 18 kA	G - 35 kA	J - 65 kA
15	400	600	BDL16015	BGL16015	BJL16015
20	400	600	BDL16020	BGL16020	BJL16020
25	400	600	BDL16025	BGL16025	BJL16025
30	400	600	BDL16030	BGL16030	BJL16030
35	400	600	BDL16035	BGL16035	BJL16035
40	400	600	BDL16040	BGL16040	BJL16040
45	400	600	BDL16045	BGL16045	BJL16045
50	480	720	BDL16050	BGL16050	BJL16050
60	640	960	BDL16060	BGL16060	BJL16060
70	640	960	BDL16070	BGL16070	BJL16070
80	800	1200	BDL16080	BGL16080	BJL16080
90	1000	1500	BDL16090	BGL16090	BJL16090
100	1000	1500	BDL16100	BGL16100	BJL16100
110	1000	1500	BDL16110	BGL16110	BJL16110
125	1000	1500	BDL16125	BGL16125	BJL16125

B-Frame, 125 A, 1P, 277 V AC 50/60 Hz with compression lug/busbar connectors



Current rating at 40 °C (A)	Fixed AC magnetic trip (A)		Interrupting rating Standard (80 %) rated		
	Hold	Trip	D - 18 kA	G - 35 kA	J - 65 kA
15	400	600	BDF16015	BGF16015	BJF16015
20	400	600	BDF16020	BGF16020	BJF16020
25	400	600	BDF16025	BGF16025	BJF16025
30	400	600	BDF16030	BGF16030	BJF16030
35	400	600	BDF16035	BGF16035	BJF16035
40	400	600	BDF16040	BGF16040	BJF16040
45	400	600	BDF16045	BGF16045	BJF16045
50	480	720	BDF16050	BGF16050	BJF16050
60	640	960	BDF16060	BGF16060	BJF16060
70	640	960	BDF16070	BGF16070	BJF16070
80	800	1200	BDF16080	BGF16080	BJF16080
90	1000	1500	BDF16090	BGF16090	BJF16090
100	1000	1500	BDF16100	BGF16100	BJF16100
110	1000	1500	BDF16110	BGF16110	BJF16110
125	1000	1500	BDF16125	BGF16125	BJF16125

F

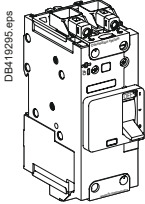
PowerPact B-Frame Circuit Breakers

Circuit Breakers

PowerPact B-Frame 125 A unit-mount thermal-magnetic circuit breakers (480 V AC) Delta rated

With factory sealed trip unit (suitable for reverse connection)

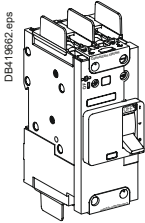
B-Frame, 125 A, 2P, 480 V AC 50/60 Hz with EverLink™ connectors



DB419295.eps

Current rating at 40 °C (A)	Fixed AC magnetic trip (A)		Interrupting rating Standard (80 %) rated		
	Hold	Trip	D - 18 kA	G - 35 kA	J - 65 kA
15	400	600	BDL26015LU	BGL26015LU	BJL26015LU
20	400	600	BDL26020LU	BGL26020LU	BJL26020LU
25	400	600	BDL26025LU	BGL26025LU	BJL26025LU
30	400	600	BDL26030LU	BGL26030LU	BJL26030LU
35	400	600	BDL26035LU	BGL26035LU	BJL26035LU
40	400	600	BDL26040LU	BGL26040LU	BJL26040LU
45	400	600	BDL26045LU	BGL26045LU	BJL26045LU
50	480	720	BDL26050LU	BGL26050LU	BJL26050LU
60	640	960	BDL26060LU	BGL26060LU	BJL26060LU
70	640	960	BDL26070LU	BGL26070LU	BJL26070LU
80	800	1200	BDL26080LU	BGL26080LU	BJL26080LU
90	1000	1500	BDL26090LU	BGL26090LU	BJL26090LU
100	1000	1500	BDL26100LU	BGL26100LU	BJL26100LU
110	1000	1500	BDL26110LU	BGL26110LU	BJL26110LU
125	1000	1500	BDL26125LU	BGL26125LU	BJL26125LU

B-Frame, 125 A, 2P, 480 V AC 50/60 Hz with compression lug/busbar connectors



DB419602.eps

Current rating at 40 °C (A)	Fixed AC magnetic trip (A)		Interrupting rating Standard (80 %) rated		
	Hold	Trip	D - 18 kA	G - 35 kA	J - 65 kA
15	400	600	BDF26015	BGF26015	BJF26015
20	400	600	BDF26020	BGF26020	BJF26020
25	400	600	BDF26025	BGF26025	BJF26025
30	400	600	BDF26030	BGF26030	BJF26030
35	400	600	BDF26035	BGF26035	BJF26035
40	400	600	BDF26040	BGF26040	BJF26040
45	400	600	BDF26045	BGF26045	BJF26045
50	480	720	BDF26050	BGF26050	BJF26050
60	640	960	BDF26060	BGF26060	BJF26060
70	640	960	BDF26070	BGF26070	BJF26070
80	800	1200	BDF26080	BGF26080	BJF26080
90	1000	1500	BDF26090	BGF26090	BJF26090
100	1000	1500	BDF26100	BGF26100	BJF26100
110	1000	1500	BDF26110	BGF26110	BJF26110
125	1000	1500	BDF26125	BGF26125	BJF26125



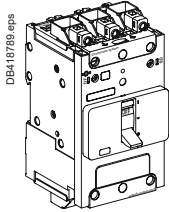
PowerPact B-Frame Circuit Breakers

Circuit Breakers

PowerPact B-Frame 125 A unit-mount thermal-magnetic circuit breakers (480 V AC) Delta rated

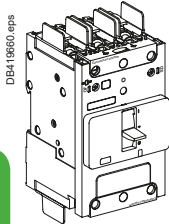
With factory sealed trip unit (suitable for reverse connection)

B-Frame, 125 A, 3P, 480 V AC 50/60 Hz with EverLink™ connectors



Current rating at 40 °C (A)	Fixed AC magnetic trip (A)		Interrupting rating Standard (80 %) rated		
	Hold	Trip	D - 18 kA	G - 35 kA	J - 65 kA
15	400	600	BDL36015LU	BGL36015LU	BJL36015LU
20	400	600	BDL36020LU	BGL36020LU	BJL36020LU
25	400	600	BDL36025LU	BGL36025LU	BJL36025LU
30	400	600	BDL36030LU	BGL36030LU	BJL36030LU
35	400	600	BDL36035LU	BGL36035LU	BJL36035LU
40	400	600	BDL36040LU	BGL36040LU	BJL36040LU
45	400	600	BDL36045LU	BGL36045LU	BJL36045LU
50	480	720	BDL36050LU	BGL36050LU	BJL36050LU
60	640	960	BDL36060LU	BGL36060LU	BJL36060LU
70	640	960	BDL36070LU	BGL36070LU	BJL36070LU
80	800	1200	BDL36080LU	BGL36080LU	BJL36080LU
90	1000	1500	BDL36090LU	BGL36090LU	BJL36090LU
100	1000	1500	BDL36100LU	BGL36100LU	BJL36100LU
110	1000	1500	BDL36110LU	BGL36110LU	BJL36110LU
125	1000	1500	BDL36125LU	BGL36125LU	BJL36125LU

B-Frame, 125 A, 3P, 480 V AC 50/60 Hz with compression lug/busbar connectors



Current rating at 40 °C (A)	Fixed AC magnetic trip (A)		Interrupting rating Standard (80 %) rated		
	Hold	Trip	D - 18 kA	G - 35 kA	J - 65 kA
15	400	600	BDF36015	BGF36015	BJF36015
20	400	600	BDF36020	BGF36020	BJF36020
25	400	600	BDF36025	BGF36025	BJF36025
30	400	600	BDF36030	BGF36030	BJF36030
35	400	600	BDF36035	BGF36035	BJF36035
40	400	600	BDF36040	BGF36040	BJF36040
45	400	600	BDF36045	BGF36045	BJF36045
50	480	720	BDF36050	BGF36050	BJF36050
60	640	960	BDF36060	BGF36060	BJF36060
70	640	960	BDF36070	BGF36070	BJF36070
80	800	1200	BDF36080	BGF36080	BJF36080
90	1000	1500	BDF36090	BGF36090	BJF36090
100	1000	1500	BDF36100	BGF36100	BJF36100
110	1000	1500	BDF36110	BGF36110	BJF36110
125	1000	1500	BDF36125	BGF36125	BJF36125

F

PowerPact B-Frame Circuit Breakers

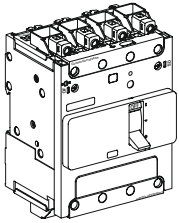
Circuit Breakers

PowerPact B-Frame 125 A unit-mount thermal-magnetic circuit breakers (480 V AC) Delta rated

With factory sealed trip unit (suitable for reverse connection)

B-Frame, 125 A, 4P, 480 V AC 50/60 Hz with EverLink™ connectors

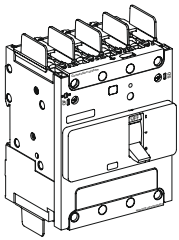
DB419296.eps



Current rating at 40 °C (A)	Fixed AC magnetic trip (A)		Interrupting rating Standard (80 %) rated		
	Hold	Trip	D - 18 kA	G - 35 kA	J - 65 kA
15	400	600	BDL46015LU	BGL46015LU	BJL46015LU
20	400	600	BDL46020LU	BGL46020LU	BJL46020LU
25	400	600	BDL46025LU	BGL46025LU	BJL46025LU
30	400	600	BDL46030LU	BGL46030LU	BJL46030LU
35	400	600	BDL46035LU	BGL46035LU	BJL46035LU
40	400	600	BDL46040LU	BGL46040LU	BJL46040LU
45	400	600	BDL46045LU	BGL46045LU	BJL46045LU
50	480	720	BDL46050LU	BGL46050LU	BJL46050LU
60	640	960	BDL46060LU	BGL46060LU	BJL46060LU
70	640	960	BDL46070LU	BGL46070LU	BJL46070LU
80	800	1200	BDL46080LU	BGL46080LU	BJL46080LU
90	1000	1500	BDL46090LU	BGL46090LU	BJL46090LU
100	1000	1500	BDL46100LU	BGL46100LU	BJL46100LU
110	1000	1500	BDL46110LU	BGL46110LU	BJL46110LU
125	1000	1500	BDL46125LU	BGL46125LU	BJL46125LU

B-Frame, 125 A, 4P, 480 V AC 50/60 Hz with compression lug/busbar connectors

DB419603.eps



Current rating at 40 °C (A)	Fixed AC magnetic trip (A)		Interrupting rating Standard (80 %) rated		
	Hold	Trip	D - 18 kA	G - 35 kA	J - 65 kA
15	400	600	BDF46015	BGF46015	BJF46015
20	400	600	BDF46020	BGF46020	BJF46020
25	400	600	BDF46025	BGF46025	BJF46025
30	400	600	BDF46030	BGF46030	BJF46030
35	400	600	BDF46035	BGF46035	BJF46035
40	400	600	BDF46040	BGF46040	BJF46040
45	400	600	BDF46045	BGF46045	BJF46045
50	480	720	BDF46050	BGF46050	BJF46050
60	640	960	BDF46060	BGF46060	BJF46060
70	640	960	BDF46070	BGF46070	BJF46070
80	800	1200	BDF46080	BGF46080	BJF46080
90	1000	1500	BDF46090	BGF46090	BJF46090
100	1000	1500	BDF46100	BGF46100	BJF46100
110	1000	1500	BDF46110	BGF46110	BJF46110
125	1000	1500	BDF46125	BGF46125	BJF46125

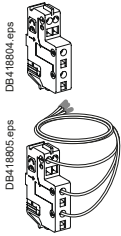


PowerPact B-Frame Circuit Breakers

Electrical accessories

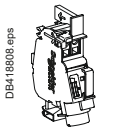
Electrical auxiliaries

Auxiliary contacts (changeover)

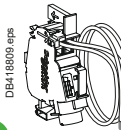


Standard OF or SD	LV426950
Pre-wired OF ^[1]	LV426951
Pre-wired SD ^[1]	LV426952

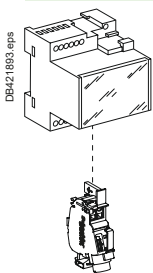
Voltage releases



	Standard	Voltage	MX	MN	
AC		24 V 50/60 Hz	LV426841	LV426801	
		48 V 50/60 Hz	LV426842	LV426802	
		110...130 V 50/60 Hz	LV426843	LV426803	
		220...240 V 50 Hz	LV426844	LV426804	
		208...240 V 60 Hz			
		277 V 60 Hz	LV426844	LV426805	
		380...415 V 50 Hz	LV426846	LV426806	
DC		440...480 V 60 Hz	LV426846	LV426807	
		24 V DC	LV426841	LV426801	
		48 V DC	LV426842	LV426802	
DC		125 V DC	LV426843	LV426803	
		250 V DC	LV426844	LV426815	
Pre-wired ^[1]	AC	Voltage	MX	MN	
			24 V 50/60 Hz	LV426861	LV426821
			48 V 50/60 Hz	LV426862	LV426822
			110...130 V 50/60 Hz	LV426863	LV426823
			220...240 V 50 Hz	LV426864	LV426824
			208...240 V 60 Hz		
	DC		277 V 60 Hz	LV426864	LV426825
			380...415 V 50 Hz	LV426866	LV426826
			440...480 V 60 Hz	LV426866	LV426827
			24 V DC	LV426861	LV426821
			48 V DC	LV426862	LV426822
			125 V DC	LV426863	LV426823
	250 V DC	LV426864	LV426835		



Time delay unit for undervoltage release (MN)



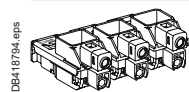
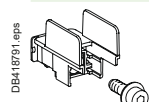
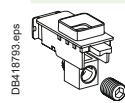
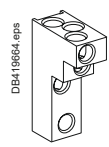
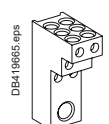

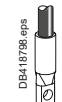
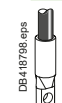
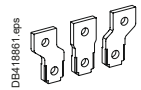

MN 48 V 50/60 Hz with fixed time delay		
Composed of:	MN 48 V DC	LV426802
	Delay unit 48 V 50/60 Hz	LV429426
MN 220-240 V 50/60 Hz with fixed time delay		
Composed of:	MN 250 V DC	LV426815
	Delay unit 220-240 V 50/60 Hz	LV429427
MN 48 V DC/AC 50/60 Hz with adjustable time delay		
Composed of:	MN 48 V DC	LV426802
	Delay unit 48 V DC/AC 50/60 Hz	33680
MN 110-130 V DC/AC 50/60 Hz with adjustable time delay		
Composed of:	MN 125 V DC	LV426803
	Delay unit 100-130 V DC/AC 50/60 Hz	33681
MN 220-250 V DC/AC 50/60 Hz with adjustable time delay		
Composed of:	MN 250 V DC	LV426815
	Delay unit 200-250 V DC/AC 50-60 Hz	33682

[1] Cable: 1 meter long - AWG 18 - 480 V UL certified.

PowerPact B-Frame Circuit Breakers

Connection accessories

Connection accessories

EverLink lug connectors			
	For 1 pole		LV426972
	For 2 poles with control wire terminal		LV426973
	For 3 poles with control wire terminal		LV426974
	For 4 poles with control wire terminal		LV426975
Compression lug / busbar connection kits			Qty per kit
	B-Frame terminal nut insert-metric with screws (BD/BG/BJ)	M6	2 LV426962
			3 LV426963
Mechanical lug connection kits			Qty per kit
	Al lugs for use with Al or Cu wires (BD/BG/BJ)	2.5 - 70 mm ² (14 - 2/0 AWG)	2 LV426966
			3 LV426967
	Al lugs for 3 cables with 2 interphase barriers ^[*]	2.5 - 35 mm ² (#14 - #2 AWG)	3 PDC3BD2
	Al lugs for 6 cables with 2 interphase barriers ^[*]	2.5 - 16 mm ² (#14 - #6 AWG)	3 PDC6BD6
Copper crimp lugs for copper cables			Qty per kit
	For cable 70 ² solid/stranded / 50 ² fine stranded ^[1]		3 LV426978
			4 LV426979
	For cable 6 - 1/0 AWG		2 LV426986
			3 LV426987
Aluminum crimp lugs for copper or aluminum cables			Qty per kit
	For cable 8 - 1/0 AWG		2 LV426988
			3 LV426989
Terminal extensions			
	Spreaders from 27 to 35 mm pitch ^[1]	3 poles	1 set LV426940
		4 poles	1 set LV426941
Torque limiting breakaway bits			Qty per kit
	9 N.m - Green		6 LV426990
			8 LV426991
	5 N.m - Yellow		6 LV426992
			8 LV426993

[1] Supplied with 2 or 3 interphase barriers.

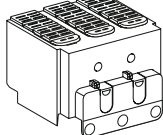
[*] Available Q3 2017.

PowerPact B-Frame Circuit Breakers

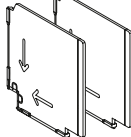
Insulation accessories and rotary handles

Insulation accessories

Long terminal shields

	Used with compression lug / busbar connectors or mechanical lugs		Qty per kit	
	Long terminal shield IP40	2 poles	1	LV426911
		3 poles	1	LV426912
		4 poles	1	LV426913

Interphase barriers


	Used with compression lug / busbar connectors or mechanical lugs			
	Interphase barriers		6	LV426920

Rear insulation screen

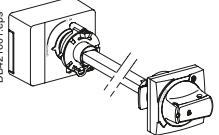
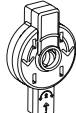

	Rear insulation screen	2 poles	2	LV426921
		3 poles	2	LV426922
		4 poles	2	LV426923

Rotary handles

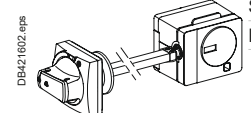
Direct

	Standard black handle			LV426930
	Red handle on yellow bezel			LV426931


Door mounted

	Standard black handle IP54			LV426932
	Red handle on yellow bezel IP54			LV426933
	Red handle on yellow bezel IP65			LV426934
	Open door shaft operator			LV426937
	Laser tool			GVAPL01

Side mounted

	Standard black handle IP54			LV426935
	Red handle on yellow bezel IP54			LV426936

Universal handle

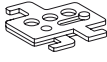
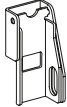
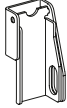
	Black handle IP54 (spare part for replacement of front.ext. or side rotary handle)			LV426997
	Red handle on yellow font IP54			LV426998
	Red handle on yellow font IP65			LV426999

F

PowerPact B-Frame Circuit Breakers

Locking and sealing accessories

Locking systems

 <p>DB418603 eps</p>	Handle padlocking device ^[1]	Removable (lock OFF only)	29370
 <p>DB418675 eps</p>		Fixed (lock OFF or ON)	LV426905
 <p>DB421603 eps</p>		Fixed (lock OFF only)	LV426906

Sealing accessories

 <p>DB419665 eps</p>	Bag of accessories	LV429375
---	--------------------	-----------------

[1] Rotary handle has integral padlocking capability.

G

Glossary

Accessories	G-2
Circuit breaker characteristics (IEC 60947-2)	G-2
Components	G-4
Controls.....	G-5
Discrimination / Cascading.....	G-5
Environment	G-6
Harmonics.....	G-7
Measurements.....	G-7
Protection	G-8
Relays and auxiliary contacts	G-8
Switchgear	G-8
Trip units	G-9



Other chapters	
Functions and characteristics	A-1
Installation recommendations	B-1
Dimensions	C-1
Wiring diagrams.....	D-1
Additional characteristics	E-1
Catalogue numbers	F-1

Glossary

For each major section (Accessories, Switchgear, etc.) and for each item (Adapter for plug-in base, Connection terminal, etc.), this glossary provides:

- the reference standard
- the standardised IEC symbol
- the definition.

Text in quotation marks is drawn from the standards.

Accessories

Bare-cable connector

Conducting part of the circuit breaker intended for connection to power circuits. On PowerPact, you can use Everlink lug or an aluminum part that screws to the connection terminals of the circuit breaker. There are one or more holes (single or multiple cable connector) for the ends of bare cables.

Connection terminals

Flat copper surface, linked to the conducting parts of the circuit breaker and to which power connections are made using bars, connectors or lugs.

Spreaders

Set of three (3P device) or four (4P device) flat, conducting parts made of copper. They are screwed to the circuit breaker terminals to increase the pitch between poles.

Circuit breaker characteristics (IEC 60947-2)

Breaking capacity

Value of prospective current that a switching device is capable of breaking at a stated voltage under prescribed conditions of use and behaviour. Reference is generally made to the ultimate breaking capacity (I_{cu}) and the service breaking capacity (I_{cs}).

Degree of protection (IP) IEC 60529

Defines device protection against the penetration of solid objects and liquids, using two digits specified in standard IEC 60259. Each digit corresponds to a level of protection, where 0 indicates no protection.

- First digit (0 to 6): protection against penetration of solid foreign objects. 1 corresponds to protection against objects with a diameter > 50 mm, 6 corresponds to total protection against dust.

- Second digit (0 to 8): protection against penetration of liquids (water). 1 corresponds to protection against falling drops of water (condensation), 8 corresponds to continuous immersion.

The enclosure of PowerPact circuit breakers provides a minimum of IP40 (protection against objects > 1 mm) and can reach IP56 (protection against dust and powerful water jets) depending on the installation conditions.

Degree of protection against external mechanical impacts (IK)

Defines the aptitude of an object to resist mechanical impacts on all sides, indicated by a number from 0 to 10 (standard IEC 62262). Each number corresponds to the impact energy (in Joules) that the object can handle according to a standardised procedure.

0 corresponds to no protection, 1 to an impact energy of 0.14 Joules, 10 to an impact energy of 20 Joules. PowerPact provide IK07 (2 Joules) and can provide IK08 (5 Joules) depending on the installation conditions.

Durability IEC 60947-1

The term "durability" is used in the standards instead of "endurance" to express the expectancy of the number of operating cycles which can be performed by the equipment before repair or replacement of parts. The term "endurance" is used for specifically defined operational performance.

Electrical durability IEC 60947-1

With respect to its resistance to electrical wear, equipment is characterised by the number of loaded operating cycles, corresponding to the service conditions given in the relevant product standard, which can be made without replacement.

Frame size

"A term designating a group of circuit breakers, the external physical dimensions of which are common to a range of current ratings. Frame size is expressed in amperes corresponding to the highest current rating of the group. Within a frame size, the width may vary according to the number of poles. This definition does not imply dimensional standardization."

PowerPact has four frame sizes covering 125 A, 150 A, 250 A and 600 A.



Insulation class	<p>Defines the type of device insulation in terms of earthing and the corresponding safety for the user, in one of three classes.</p> <ul style="list-style-type: none"> ■ Class I. The device is earthed. Any electrical faults, internal or external, or caused by the load, are cleared via the earthing circuit, thus ensuring user safety. ■ Class II. The device is not connected to a protective conductor. User safety is ensured by reinforced insulation around the live parts (an insulating case and no contact with live parts, i.e. plastic buttons, molded connections, etc.) or double insulation. ■ Class III. The device may be connected only to SELV (safety extra-low voltage) circuits. <p>The PowerPact are class II devices (front) and may be installed through the door in class II switchboards (standards IEC 61140 and IEC 60664-1), without reducing insulation, even with a rotary handle or motor mechanism module.</p>
Making capacity	<p>Value of prospective making current that a switching device is capable of making at a stated voltage under prescribed conditions of use and behaviour. Reference is generally made to the short-circuit making capacity Icm.</p>
Maximum break time	<p>Maximum time after which breaking is effective, i.e. the contacts separated and the current completely interrupted.</p>
Mechanical durability IEC 947-1	<p>With respect to its resistance to mechanical wear, equipment is characterised by the number of no-load operating cycles which can be effected before it becomes necessary to service or replace any mechanical parts.</p>
Non-tripping time	<p>This is the minimum time during which the protective device does not operate in spite of pick-up overrun, if the duration of the overrun does not exceed the corresponding voluntary time delay.</p>
Pollution degree of environment conditions IEC 60947-1 IEC 60664-1	<p>"Conventional number based on the amount of conductive or hygroscopic dust, ionized gas or salt and on the relative humidity and its frequency of occurrence, resulting in hygroscopic absorption or condensation of moisture leading to reduction in dielectric strength and/or surface resistivity". Standard IEC 60947-1 distinguishes four pollution degrees.</p> <ul style="list-style-type: none"> ■ Degree 1. No pollution or only dry, non-conductive pollution occurs. ■ Degree 2. Normally, only non-conductive pollution occurs. Occasionally, however, a temporary conductivity caused by condensation may be expected. ■ Degree 3. Conductive pollution occurs, or dry, non-conductive pollution occurs which becomes conductive due to condensation. ■ Degree 4. The pollution generates persistent conductivity caused, for instance, by conductive dust or by rain or snow. <p>PowerPact meets degree 3, which corresponds to industrial applications.</p>
Prospective short-circuit current	<p>Current that would flow through the poles if they remained fully closed during the short-circuit.</p>
Rated current (In)	<p>This is the current that the device has been certified to carry continuously within all parameters described by the standard.</p>
Rated impulse withstand voltage (Uimp)	<p>"The peak value of an impulse voltage of prescribed form and polarity which the equipment is capable of withstanding without failure under specified conditions of test and to which the values of the clearances are referred. The rated impulse withstand voltage of an equipment shall be equal to or higher than the values stated for the transient overvoltages occurring in the circuit in which the equipment is fitted".</p>
Rated insulation voltage (Ui)	<p>"The rated insulation voltage of an equipment is the value of voltage to which dielectric tests and creepage distances are referred. In no case shall the maximum value of the rated operational voltage exceed that of the rated insulation voltage".</p>
Rated operational current (Ie)	<p>"A rated operational current of an equipment is stated by the manufacturer and takes into account the rated operational voltage, the rated frequency, the rated duty, the utilization category and the type of protective enclosure, if appropriate".</p>
Rated operational voltage (Ue)	<p>"A value of voltage which, combined with a rated operational current, determines the application of the equipment and to which the relevant tests and the utilisation categories are referred. For multipole equipment, it is generally stated as the voltage between phases". This is the maximum continuous voltage at which the equipment may be used.</p>

Glossary

<p>Rated short-time withstand current (Icw)</p>	<p>"Value of short-time withstand current, assigned to the equipment by the manufacturer, that the equipment can carry without damage, under the test conditions specified in the relevant product standard". Generally expressed in kA for 0.5, 1 or 3 seconds. This is an essential characteristic for air circuit breakers. It is not significant for molded-case circuit breakers for which the design targets fast opening and high limiting capacity.</p>
<p>Service breaking capacity (Ics)</p>	<p>Expressed as a percentage of Icu, it provides an indication on the robustness of the device under severe conditions. It is confirmed by a test with one opening and one closing/opening at Ics, followed by a check that the device operates correctly at its rated current, i.e. 50 cycles at In, where temperature rise remains within tolerances and the protection system suffers no damage.</p>
<p>Short-circuit making capacity (Icm)</p>	<p>Value indicating the capacity of the device to make and carry a high current without repulsion of the contacts. It is expressed in kA peak.</p>
<p>Suitability for isolation</p>	<p>This capability means that the circuit breaker meets the conditions below.</p> <ul style="list-style-type: none"> ■ In the open position, it must withstand, without flashover between the upstream and downstream contacts, the impulse voltage specified by the standard as a function of the Uimp indicated on the device. ■ It must indicate contact position by one or more of the following systems: <ul style="list-style-type: none"> □ position of the operating handle □ separate mechanical indicator □ visible break of the moving contacts ■ Leakage current between each pole, with the contacts open, at a test voltage of 1.1 x the rated operating voltage, must not exceed: <ul style="list-style-type: none"> □ 0.5 mA per pole for new devices □ 2 mA per pole for devices already subjected to normal switching operations □ 6 mA, the maximum value that must never be exceeded. ■ It must not be possible to install padlocks unless the contacts are open. Locking in the closed position is permissible for special applications. PowerPact complies with this requirement by positive contact indication.
<p>Suitable for isolation with positive contact indication (see also Suitability for isolation, page G2)</p>	<p>Suitability for isolation is defined here by the mechanical reliability of the position indicator of the operating mechanism, where:</p> <ul style="list-style-type: none"> ■ the isolation position corresponds to the O (OFF) position ■ the operating handle cannot indicate the "OFF" position unless the contacts are effectively open. <p>The other conditions for isolation must all be fulfilled:</p> <ul style="list-style-type: none"> ■ locking in the open position is possible only if the contacts are effectively open ■ leakage currents are below the standardised limits ■ overvoltage impulse withstand between upstream and downstream connections.
<p>Ultimate breaking capacity (Icu)</p>	<p>Expressed in kA, it indicates the maximum breaking capacity of the circuit breaker. It is confirmed by a test with one opening and one closing/opening at Icu, followed by a check that the circuit is properly isolated. This test ensures user safety.</p>



Components

<p>ASIC (Application Specific Integrated Circuit)</p>	<p>Integrated circuit designed, built and intended for a specific application. It carries out repetitive sequences of instructions engraved in the silicon chip. For that reason, it is extremely reliable because it cannot be modified and is not affected by environment conditions.</p> <p>Micrologic trip units use an ASIC for the protection functions. The ASIC cyclically polls the network status at a high frequency, using the values supplied by captors. Comparison with the settings forms the basis for orders to the electronic trip units.</p>
<p>Microprocessor</p>	<p>A microprocessor is a more general purpose device than an ASIC. In Micrologic, a microprocessor is used for measurements and it can be programmed. It is not used for the main protection functions that are carried out by the ASIC.</p>

Controls

CNOMO machine-tool rotary handle	Handle used for machine-tool control enclosures and providing IP54 and IK08.
Direct rotary handle	This is an optional control handle for the circuit breaker. It has the same three positions I (ON), O (OFF) and TRIPPED as the toggle control. It provides IP40, IK07 and the possibility, due to its extended travel, of using early-make and early-break contacts. It maintains suitability for isolation and offers optional locking using a keylock or a padlock.
Emergency off	In a circuit equipped with a circuit breaker, this function is carried out by an opening mechanism using an MN undervoltage release or an MX shunt trip in conjunction with an emergency off button.
Extended rotary handle	Rotary handle with an extended shaft to control devices installed at the rear of switchboards or control panels. It has the same characteristics as direct rotary handles. It offers multiple locking possibilities using a padlock or a door interlock.
Side rotary handle	Rotary handle with a side shaft to control devices installed in the switchboards. It has the same characteristics as direct rotary handles. It offers multiple locking possibilities using a padlock.
Failsafe remote tripping	Remote tripping is carried out by an opening mechanism using an MN undervoltage release in conjunction with an emergency off button. If power is lost, the protection device opens the circuit breaker.

Discrimination / Cascading

Cascading /Series Ratings	Cascading implements the current-limiting capacity of a circuit breaker, making it possible to install downstream circuit breakers with lower performance levels. The upstream circuit breaker reduces any high short-circuit currents. This makes it possible to install downstream circuit breakers with breaking capacities less than the prospective short-circuit current at their point of installation. The main advantage of cascading is to reduce the overall cost of electrical distribution equipment. Because the current is limited throughout the circuit downstream of the limiting circuit breaker, cascading applies to all the devices located downstream.
Current discrimination	Discrimination based on the difference between the current-protection settings of the circuit breakers. The difference in settings between two successive circuit breakers in a circuit must be sufficient to allow the downstream breaker to clear the fault before the upstream breaker trips.
Discrimination	Discrimination is ensured between upstream and downstream circuit breakers if, when a fault occurs, only the circuit breaker placed immediately upstream of the fault trips. Discrimination is the key to ensuring the continuity of service of an installation.
Energy discrimination	This function is specific to PowerPact and supplements the other types of discrimination.
Partial discrimination	Discrimination is partial if the conditions for total discrimination are not met up to the ultimate short-circuit current I_{cu} , but only up to a lesser value. This value is called the discrimination limit. If a fault exceeds the discrimination limit, both circuit breakers trip.
Time discrimination	Discrimination based on the difference between the time-delay settings of the circuit breakers. The upstream trip unit is delayed to provide the downstream breaker the time required to clear the fault.
Total discrimination	Total discrimination is ensured between upstream and downstream circuit breakers if, for all fault values, from overloads up to solid short-circuits, only the downstream circuit breaker trips and the upstream circuit breaker remains closed.



Glossary

Environment.....

EMC (Electromagnetic compatibility)

EMC is the capacity of a device not to disturb its environment during operation (emitted electromagnetic disturbances) and to operate in a disturbed environment (electromagnetic disturbances affecting the device). The standards define various classes for the types of disturbances. Micrologic trip units comply with annexes F and J in standard IEC IE60947-2.

Power loss
Pole resistance

The flow of current through the Circuit breaker poles produces Joule-effect losses caused by the resistance of the poles.

Product environmental profile (PEP)
LCA: Life-cycle assessment
ISO 14040

An assessment on the impact of the construction and use of a product on the environment, in compliance with standard ISO 14040, Environmental management, life-cycle assessment (LCA), principles and framework. For PowerPact, this assessment is carried out using the standardised EIME (Environmental Impact and Management Explorer) software, which makes possible comparisons between the products of different manufacturers. It includes all stages, i.e. manufacture, distribution, use and end of life, with set usage assumptions:

- use over 20 years at a percent load of 80 % for 14 hours per day and 20 % for ten hours
- according to the European electrical-energy model.

It provides the information presented below.

- Materials making up the product: composition and proportions, with a check to make sure no substances forbidden by the RoHS directive are included.
- Manufacture: on Schneider Electric production sites that have set up an environmental management system certified ISO 14001.
- Distribution: packaging in compliance with the 94/62/EC packaging directive (optimised volumes and weights) and optimised distribution flows via local centres.
- Use: no aspects requiring special precautions for use. Power lost through Joule effect in Watts (W) must be < 0.02 % of total power flowing through the circuit breaker. Based on the above assumptions, annual consumption from 95 to 200 kWh.
- End of life: products dismantled or crushed. For PowerPact, 81 % of materials can be recycled using standard recycling techniques. Less than 2 % of total weight requires special recycling.

Product environmental profile (PEP)
Environmental indicators

Environmental indicators are also frequently used for the PEP (sheet available on request for PowerPact):

- Depletion of natural resources
- Depletion of energy
- Depletion of water
- Potential for atmospheric warming (greenhouse effect)
- Potential for stratospheric ozone depletion
- Creation of atmospheric ozone (ozone layer)
- Acidification of air (acid rain)
- Production of hazardous waste.

RoHS directive
(Restriction of Hazardous substances)

European directive 2002/95/EC dated 27 January 2003 aimed at reducing or eliminating the use of hazardous substances. The manufacturer must attest to compliance, without third-party certification. Circuit breakers are not included in the list of concerned products, which are essentially consumer products. That notwithstanding, Schneider Electric decided to comply with the RoHS directive. PowerPact products are designed in compliance with RoHS and do not contain (above the authorised levels) lead, mercury, cadmium, hexavalent chromium or flame retardants (polybrominated biphenyls PBB and polybrominated diphenyl ether PBDE).

Safety clearances

When installing a circuit breaker, minimum distances (safety clearances) must be maintained between the device and panels, bars and other protection systems installed nearby. These distances, which depend on the ultimate breaking capacity, are defined by tests carried out in accordance with standard IEC 60947-2.



Temperature derating

An ambient temperature varying significantly from 40 °C can modify operation of magnetic or thermal-magnetic protection functions. It does not affect electronic trip units. However, when electronic trip units are used in high-temperature situations, it is necessary to check the settings to ensure that only the permissible current for the given ambient temperature is let through.

Vibration withstand
IEC 60068-2-6

Circuit breakers are tested in compliance with standard IEC 60068-2-6 for the levels required by merchant-marine inspection organisations (Veritas, Lloyd's, etc.):

- 2 to 13.2 Hz: amplitude of ±1 mm
- 13.2 to 100 Hz: constant acceleration of 0.7 g.

WEEE directive
(Waste of Electrical and Electronic Equipment)

European directive on managing the waste of electrical and electronic equipment. Circuit breakers are not included in the list of concerned products. However, PowerPact products respect the WEEE directive.

Harmonics.....

Current harmonics

Non-linear loads cause harmonic currents that flow in the 50 Hz (or 60 Hz) distribution system. Total harmonic current is the sum of sinusoidal AC currents for which the rms values can be measured and broken down into:

- the fundamental current at the 50/60 Hz frequency of the distribution system, with an rms value of I_{H_1}
- harmonic currents with whole, odd multiples (3, 5, 7, etc.) of the 50/60 Hz frequency, called the third-order, fifth-order, etc. harmonics. For example, I_{H_3} , the third-order harmonic at 150/180 Hz, I_{H_5} , the fifth-order harmonic at 250/300 Hz, etc. The presence of harmonics in the system must be monitored and limited because it results in temperature rise, currents in the neutral (caused by the third-order harmonics and multiples), malfunctions of sensitive electronic devices, etc. Micrologic E trip units take into account harmonics up to order 15 in the THDI and THDU calculations.

Non-linear load

Systems producing harmonics are present in all industrial, commercial and residential sectors. Harmonics are caused by non-linear loads. A load is said to be non-linear when the current drawn does not have the same waveform as the supply voltage. Typically, loads using power electronics are non-linear. Examples of non-linear loads include computers, rectifiers, variable-speed drives, arc furnaces and fluorescent lighting.

Total harmonic distortion of current (THDI)

THDI characterises the distortion of the current wave by harmonics. It indicates the quantity of harmonics in the resulting waveform. It is expressed in percent. The higher the THDI, the more the current is distorted by harmonics. THDI should remain below 10 %. Above that level, there is said to be harmonic pollution that is considered severe when it rises above 50 %.

Total harmonic distortion of voltage (THDU)

THDU characterises the distortion of the voltage wave by harmonics. It indicates the quantity of harmonics in the resulting waveform. It is expressed in percent. The higher the THDU, the more the system voltage is distorted by harmonics. It is advised not to exceed 5 % for low-voltage systems.

Voltage harmonics

For each current harmonic I_{Hk} , there is a voltage harmonic U_{Hk} of the same order k , where the resulting voltage is the sum of the two waves. The voltage wave is therefore distorted with respect to the standard sinusoidal wave.



Glossary

Measurements

Overvoltage category
(OVC - Overvoltage category)
IEC 60947-1. Annex H

Standard IEC 60664-1 stipulates that it is up to the user to select a measurement device with a sufficient overvoltage category, depending on the network voltage and the transient overvoltages likely to occur.

Four overvoltage categories define the field of use for a device.

- Cat. I. Devices supplied by a SELV isolating transformer or a battery.
- Cat. II. Residential distribution, handheld or laboratory tools and devices connected to standardised 2P + earth electrical outlets (230 V).
- Cat. III. Industrial distribution, fixed distribution circuits in buildings (main low voltage switchboards, rising mains, elevators, etc.).
- Cat. IV. Utility substations, overhead lines, certain industrial equipment.

Protection

Instantaneous protection I (Ii)

This protection supplements I_{sd}. It provokes instantaneous opening of the device. The pick-up is fixed (built-in). This value is always lower than the contact-repulsion level.

Long-time protection L (I_r)

Protection function where the I_r pick-up determines a protection curve similar to the thermal-protection curve (inverse-time curve I²t). The curve is generally determined on the basis of the I_r setting which corresponds to a theoretically infinite tripping time (asymptote) and of the point at 6 I_r at which the tripping time depends on the rating.

Magnetic protection (I_m)

Short-circuit protection provided by magnetic trip units (see this term). The pick-up setting may be fixed.

Neutral protection (I_N)

The neutral is protected because all Circuit breaker poles are interrupted. The setting may be that used for the phases or specific to the neutral, i.e. reduced neutral (0.5 times the phase current) or OSN (oversized neutral) at 1.6 times the phase current. For OSN protection, the maximum device setting is limited to 0.63 I_n.

Thermal protection (I_r)

Overload protection provided by thermal trip units (see this term) using an inverse-time curve (I²t).

G

Relays and auxiliary contacts

Auxiliary contact
IEC 60947-1

"Contact included in an auxiliary circuit and mechanically operated by the switching device".

Break contact
IEC 60947-1

"Control or auxiliary contact which is open when the main contacts of the mechanical switching device are closed and closed when they are open".

Make contact
IEC 60947-1

"Control or auxiliary contact which is closed when the main contacts of the mechanical switching device are closed and open when they are open".

Relay (electrical)
IEC 60947-1

"Device designed to produce sudden, predetermined changes in one or more electrical output circuits when certain conditions are fulfilled in the electrical input circuits controlling the device".

Relay module with static output


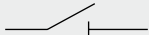
Output of a relay made up of a thyristor or triac electronic component. The low interrupting capacity means that a power relay is required. This is the case for the SDx outputs.

Switchgear

Circuit breaker
IEC 60947-2



"Mechanical switching device, capable of making, carrying and breaking currents under normal circuit conditions and also making, carrying for a specified time and breaking currents under specified abnormal circuit conditions such as those of short circuit". Circuit breakers are the device of choice for protection against overloads and short-circuits. Circuit breakers may, as is the case for PowerPact, be suitable for isolation.

<p>Circuit breaker utilisation category IEC 60947-2</p>	<p>The standard defines two utilisation categories, A and B, depending on breaker discrimination with upstream breakers under short-circuit conditions.</p> <ul style="list-style-type: none"> ■ Category A. Circuit breakers not specifically designed for discrimination applications. ■ Category B. Circuit breakers specifically designed for discrimination, which requires a short time-delay (which may be adjustable) and a rated short-time withstand current in compliance with the standard. <p>PowerPact 125 to 600 circuit breakers are category A, however, by design, they provide discrimination with downstream devices (see the Complementary technical information guide).</p>
<p>Contactors IEC 60947-1</p> 	<p>"Mechanical switching device having only one position of rest, operated otherwise than by hand, capable of making, carrying and breaking currents under normal circuit conditions including operating overload conditions". A contactor is provided for frequent opening and closing of circuits under load or slight overload conditions. It must be combined and coordinated with a protective device against overloads and short-circuits, such as a circuit breaker.</p>
<p>Contactors utilisation categories IEC 60947-4-1</p>	<p>The standard defines four utilisation categories, AC1, AC2, AC3 and AC4 depending on the load and the control functions provided by the contactor. The class depends on the current, voltage and power factor, as well as contactor withstand capacity in terms of frequency of operation and endurance.</p>
<p>Current-limiting circuit breaker IEC 60947-2</p>	<p>"A Circuit breaker with a break-time short enough to prevent the short-circuit current reaching its otherwise attainable peak value".</p>
<p>Disconnectors IEC 60947-3</p> 	<p>"Mechanical switching device which, in the open position, complies with the requirements specified for the isolating function". A disconnector serves to isolate upstream and downstream circuits. It is used to open or close circuits under no-load conditions or with a negligible current level. It can carry the rated circuit current and, for a specified time, the short-circuit current.</p>

Trip units

<p>Magnetic release</p>	<p>Release actuated by a coil or a lever. A major increase in the current (e.g. a short-circuit) produces in the coil or the lever a change in the magnetic field that moves a core. This trips the circuit breaker operating mechanism. Action is instantaneous. The pick-up setting may be adjustable.</p>
<p>Reflex tripping</p>	<p>PowerPact circuit breakers have a patented reflex-tripping system based on the energy of the arc and that is independent of the other protection functions. It operates extremely fast, before the other protection functions. It is an additional safety function that operates before the others in the event of a very high short-circuit.</p>
<p>Release IEC 60947-1</p>	<p>Device, mechanically connected to a mechanical switching device (e.g. a circuit breaker), which releases the holding means and permits the opening or the closing of the switching device. For circuit breakers, releases are often integrated in a trip unit.</p>
<p>Shunt trip (MX)</p>	<p>This type of release operates when supplied with current. The MX release provokes Circuit breaker opening when it receives a pulse-type or maintained command.</p>
<p>Thermal-magnetic trip unit</p>	<p>Trip unit combining thermal protection for overloads and magnetic protection.</p>
<p>Thermal release</p>	<p>Release in which a bimetal strip is heated by the Joule effect. Above a temperature-rise threshold that is a function of the current and its duration (I^2t curve = constant, which is representative of temperature rise in cables), the bimetal strip bends and releases the Circuit breaker opening mechanism. The pick-up setting may be adjustable.</p>
<p>Undervoltage release (MN)</p>	<p>This type of release operates when the supply voltage drops below the set minimum.</p>



G

Life Is On

Schneider
Electric

Schneider Electric Industries SAS

35, rue Joseph Monier
CS 30323
92506 Rueil Malmaison Cedex
France

RCS Nanterre 954 503 439
Capital social 896 313 776 €
www.schneider-electric.com

LVPED216029EN • WEB1 cat.2018

© 2018 - Schneider Electric. All Rights Reserved.
All trademarks are owned by Schneider Electric Industries SAS or its affiliated companies.