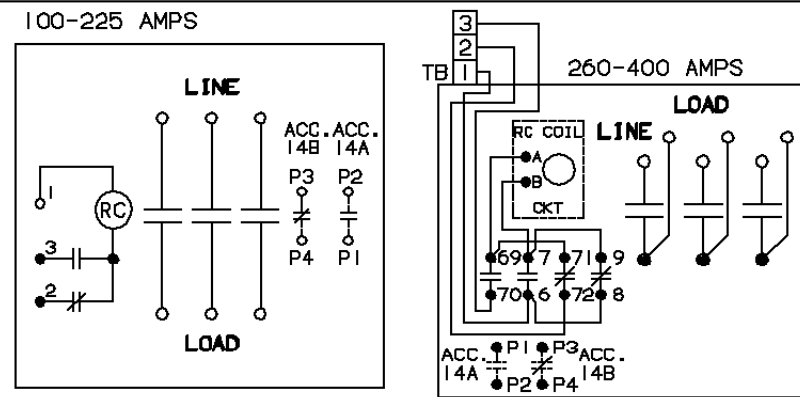
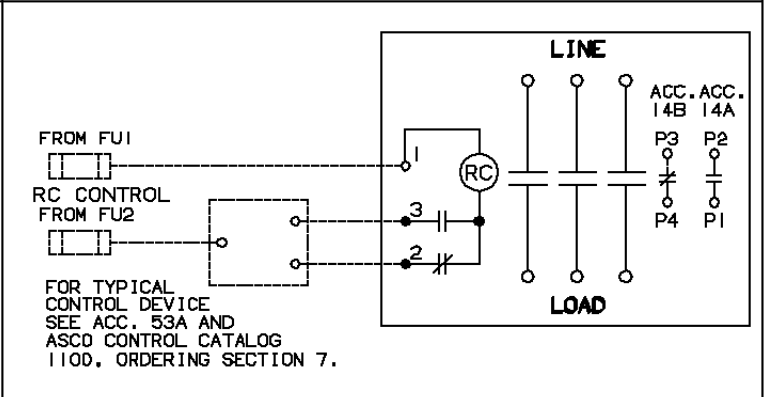


BASE CATALOG NUMBER				CATALOG NUMBER SUFFIXES			EXPLANATION OF CATALOG NUMBER CODES												
CATALOG TYPE	NEUTRAL TYPE	PHASE POLES	AMPS	VOLT CODE	CONTROLLER	OPTIONAL ACCESSORY	ENCLOSURE CODE	NEUTRAL TYPE		VOLTAGE CODES		ENCLOSURE CODES		DESCRIPTION					
911	A	3	100 150 200 225 280 400 600 800 1000 1200	A* B* C D E F G H J K L M N P Q R	1	X	F G H J K L M N P Q	BLANK	NONE	A*	115	BLANK	1	OPEN TYPE (NO ENCLOSURE)					
								A	SOLID	B*	120	C	2	GENERAL PURPOSE, INDOOR					
										C	208	D	3R	INDOOR, WATER & DUST RESISTANT					
										D	220	E	4	INDOOR, RAINPROOF, SLEET & ICE RESISTANT					
										E	230	F	4X	INDOOR/OUTDOOR, WATERTIGHT & DUSTTIGHT					
										F	240	G	4X	TYPE 4 PLUS CORROSION RESISTANCE (STAINLESS STEEL)					
										G	277	H	4X	TYPE 4 PLUS CORROSION RESISTANCE (FIBERGLASS)					
										H	380	J	7	EXPLOSION PROOF					
										J	400	K	12	INDOOR, INDUSTRIAL ENVIRONMENTS, OILTIGHT & DUSTTIGHT					
										K	415	L		(SECURE ENCLOSURES)					
										L	440	M	3R	INDOOR, RAINPROOF, SLEET & ICE RESISTANT					
										M	480	N	4	INDOOR/OUTDOOR, WATERTIGHT & DUSTTIGHT					
		N	560	P	4X	TYPE 4 PLUS CORROSION RESISTANCE (STAINLESS STEEL)													
		P	575	Q	12	INDOOR, INDUSTRIAL ENVIRONMENTS, OILTIGHT & DUSTTIGHT													
		Q	600	R															

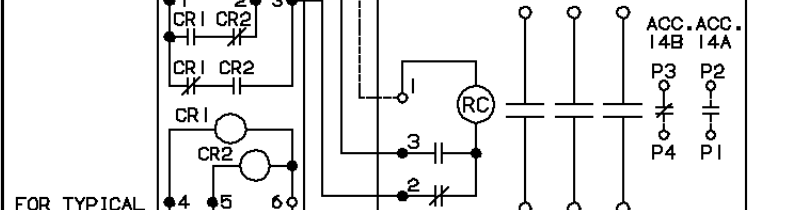
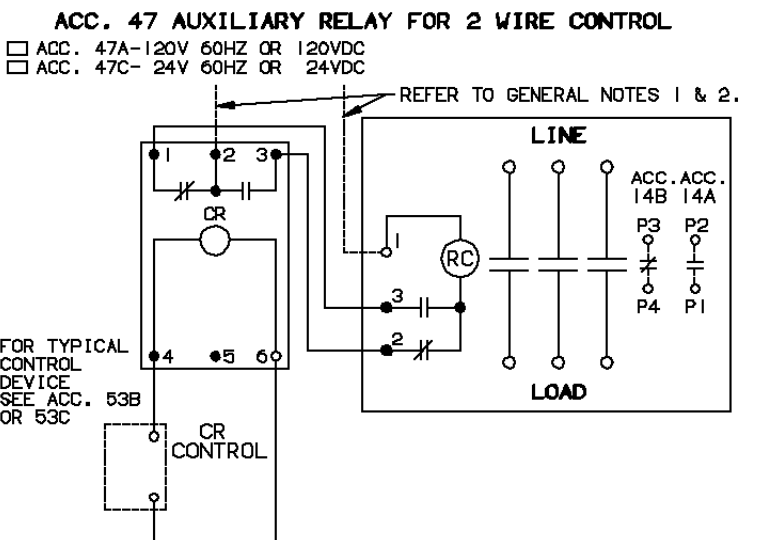
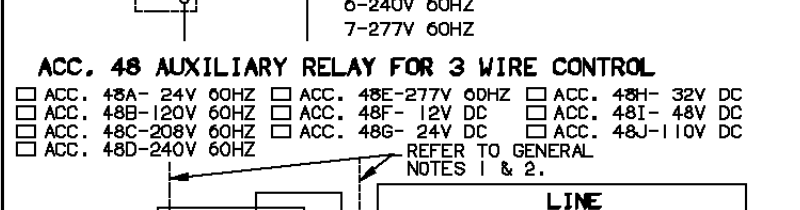
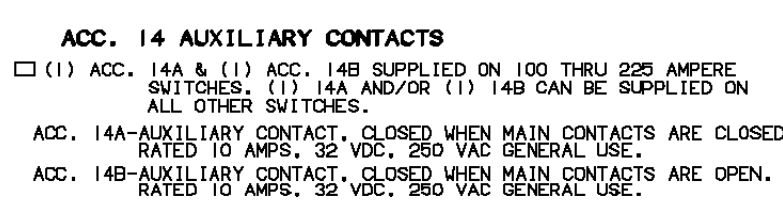
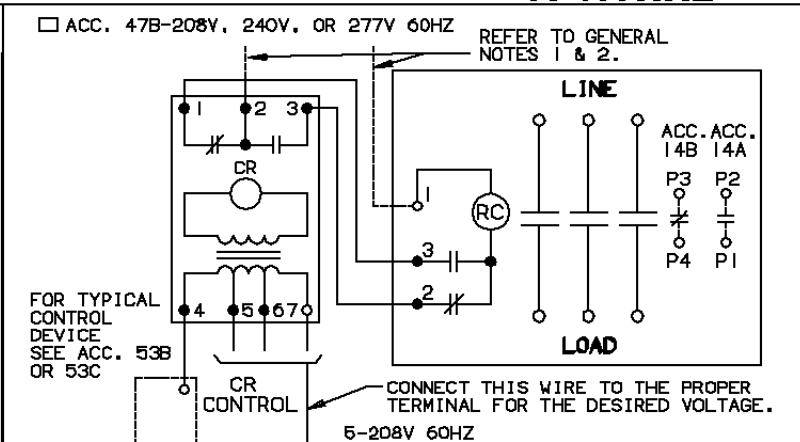
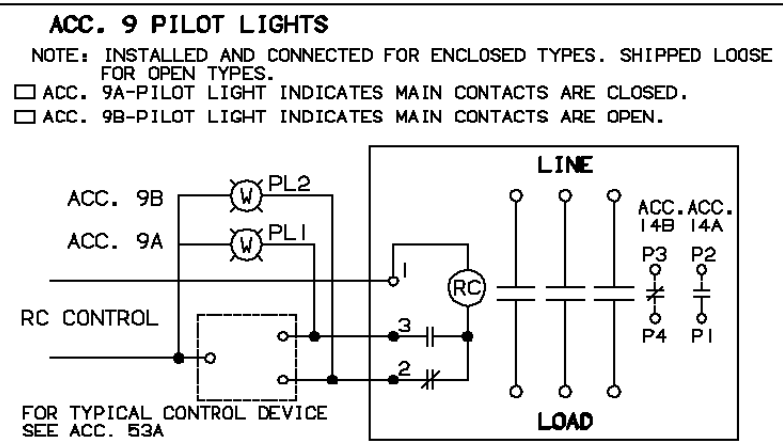
REMOTE CONTROL SWITCHES



TYPICAL STANDARD REMOTE CONTROL SWITCH



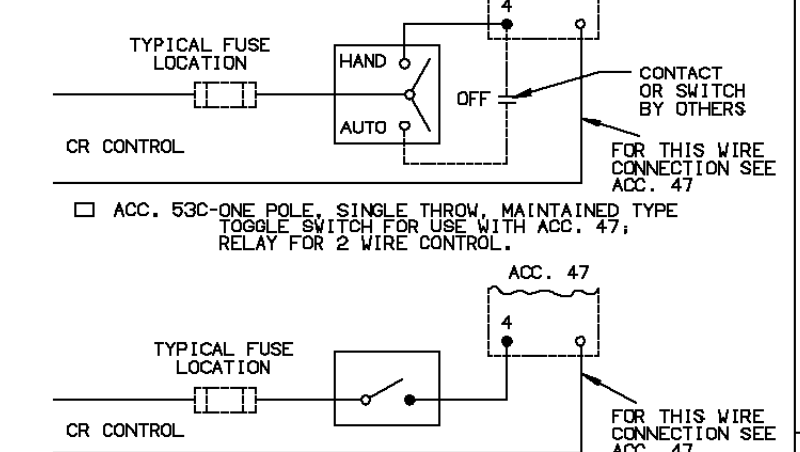
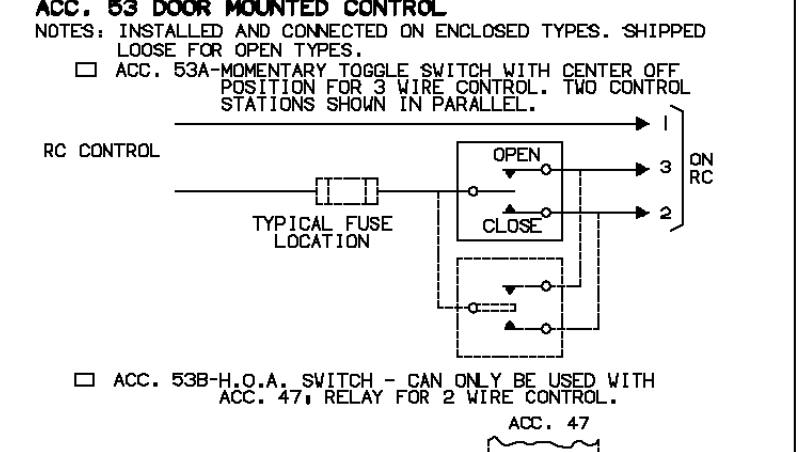
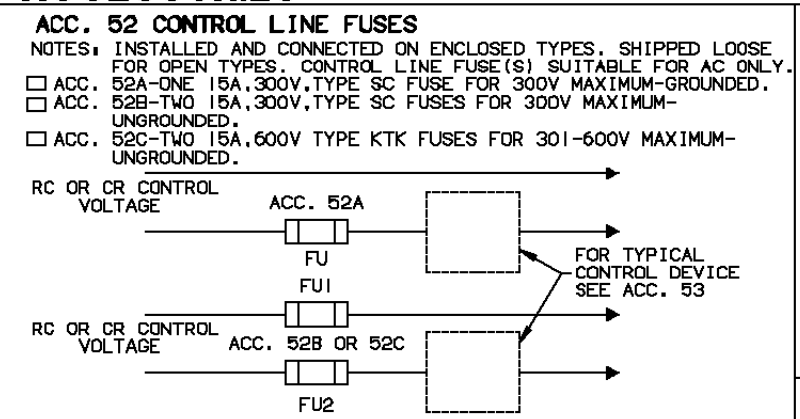
OPTIONAL



LEGEND

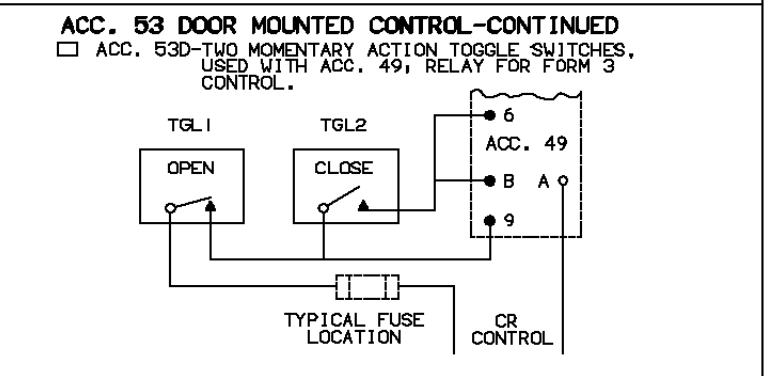
DEVICE DESIGNATOR	DEVICE
RC	REMOTE CONTROL SWITCH
PL	PILOT/INDICATING LIGHT
CR	CONTROL RELAY

ACCESSORIES



OUTLINE AND ENCLOSURE DRAWINGS

REFER TO COMPOSITE DRAWING 405386 FOR 100-400 AMP OPEN TYPE DIMENSIONS. REFER TO COMPOSITE DRAWING 405387 FOR 600-1200 AMP OPEN TYPE DIMENSIONS. REFER TO COMPOSITE DRAWING 405388 FOR ENCLOSURE DIMENSIONS.



- #### GENERAL NOTES
- ACCESSORY INTERWIRING IS SUPPLIED ON ENCLOSED TYPE SWITCHES ONLY.
 - WHEN RC COIL AND LINE VOLTAGE ARE THE SAME, THE RC CONTROL VOLTAGE CAN BE DERIVED FROM THE LINE POLES OF THE RC SWITCH.
 - OMIT CENTER POLE FOR TWO POLE SWITCHES.
 - o INDICATES CUSTOMER CONNECTION POINTS. ● INDICATES FACTORY CONNECTION POINTS.
 - CONNECTION POINTS THAT HAVE BOTH CUSTOMER AND FACTORY CONNECTIONS ARE SHOWN AS CUSTOMER CONNECTIONS.
 - MAIN CONTACTS ARE SHOWN IN OPEN POSITION WITH CONTROL LINE DE-ENERGIZED BELOW.
 - FOR RC INRUSH AND LINE RUN VALUES REFER TO ORDERING SECTION 2 OF CATALOG 1100.
 - DEVICE SYMBOLS AND DESIGNATIONS ARE IN ACCORDANCE WITH NEMA PUB. ICS 1-1983, PART 1-101A, EXCEPT FOR THOSE LISTED IN LEGEND.
 - SUITABLE FOR THE CONTROL OF MOTORS, ELECTRIC DISCHARGE LAMPS, AND ELECTRICAL HEATING EQUIPMENT WHERE THE SUM OF MOTOR FULL-LOAD AMPERE RATINGS AND THE AMPERE RATINGS OF OTHER LOADS DO NOT EXCEED THE AMPERE RATING OF THE SWITCH AND THE TUNGSTEN LOAD DOES NOT EXCEED 100 PERCENT OF THE SWITCH RATING FOR SWITCHES UP TO 400 AMPERES, AND THE TUNGSTEN LOAD DOES NOT EXCEED 30% OF THE SWITCH RATINGS FOR SWITCHES OVER 400 AMPERES.
 - WIRE ACCESSORIES USING 14 AWG.

CATALOG NO. _____

CERTIFIED TO **ASCO**® s.o.

DATE _____ BY _____

COMPOSITE WIRING DIAGRAM
ASCO 911 REMOTE CONTROL SWITCH

DRAWN	BY	DATE	FLORHAM PARK, N.J., 07932
JTT	AL	10/83	PRINTED IN U.S.A.
CHECKED	AL		
DFTG APL			
ENG APL	PDG	10/83	

PROPERTY OF AUTOMATIC SWITCH CO. THE PATENT OF INVENTION IS RESERVED.

DS 355634