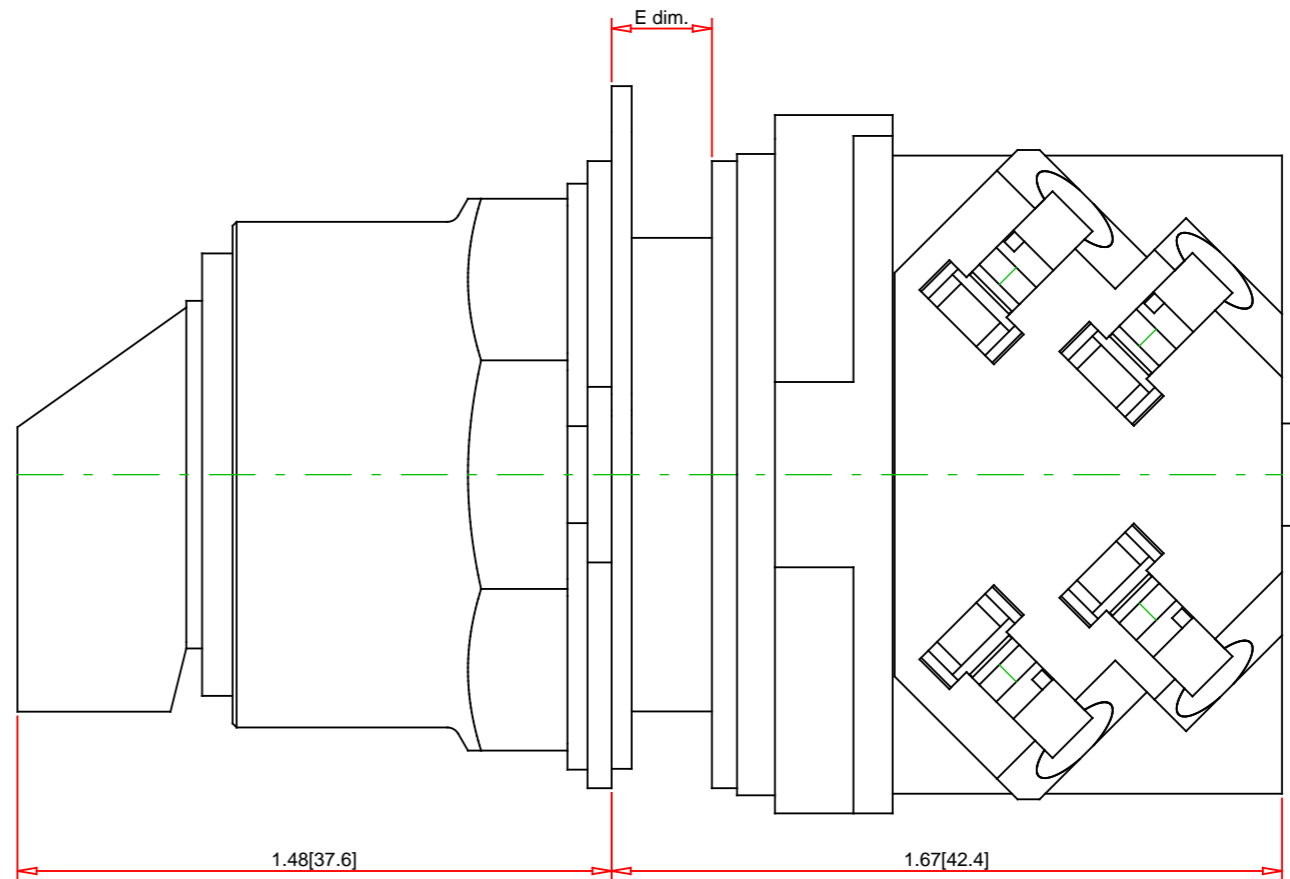
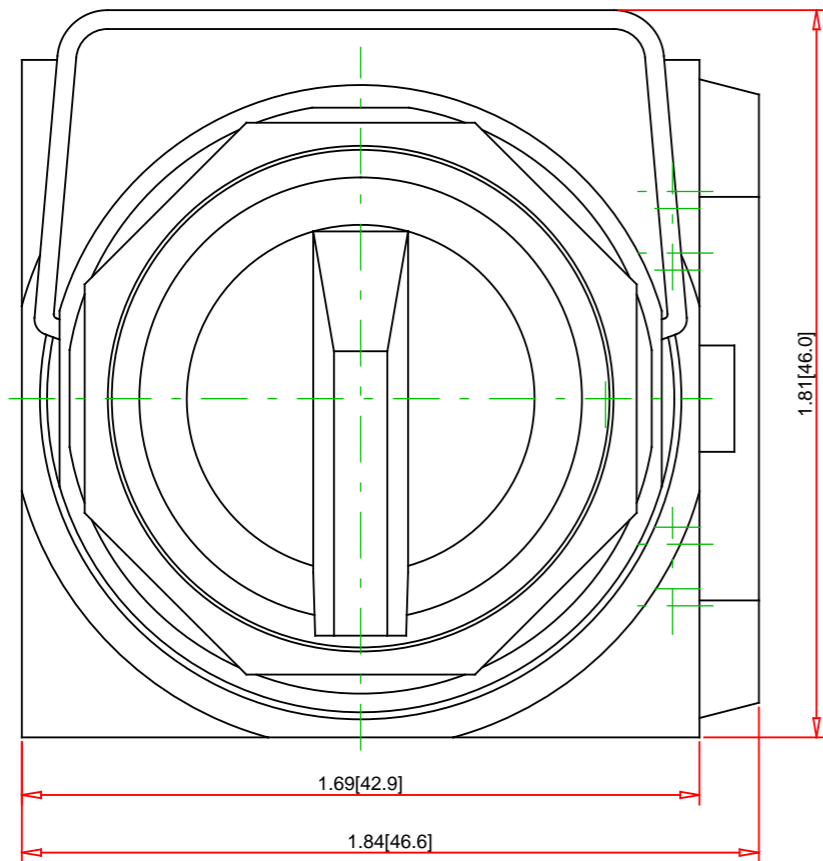


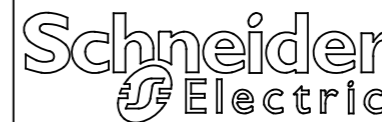
Panel Thickness E dim. inches (mm)	Number of Gasket
1/16 (1.6)	4
1/8 (3.2)	3
3/16 (4.8)	2
1/4 (6.4)	1



Note:  
 - Drawings Not To Scale  
 - Drawings Subject to Change Without Notice  
 - Dimensions are inches next to [Millimeters]

Part No.:

**9001KS43BH13**



Schneider Electric United States  
 North American Division  
 Boston One Campus  
 800 Federal Street  
 Andover, MA 01810, USA  
 Phone: +1 8773425173  
 Email: CCC@us.schneider-electric.com

Technical Information:

Circuit Configuration: SPDT  
 Electrical Life: 100000  
 Mechanical Life: 500000  
 Operating Temp. Range: -30 to 60 °C (-22 to 140 °F)  
 Power Rating: Not HP Rated  
 Number of Poles: 1 N.O. + 1 N.C.  
 AC Voltage: 600  
 Current Rating: 10  
 Contact Rating: AC-15: 600V, 1.2A; 240V, 3A; 120V, 6A DC-13: 600V, 0.1A; 250V, 0.27A; 125V, 0.55A

Specification:

Description: Push Buttons 30 mm - Assemblies  
 Type: Selector Switch  
 Actuator Type: Selector Knob  
 Illumination: None  
 Terminal Plating: Terminal - Brass - no plating, Screw - Zinc Chromate  
 Actuator Color: Black  
 Actuator Part No.: 9001KS43B  
 Contact Block Part No.: 9001KA1  
 Legend Plate Part No.: 9001KN260