

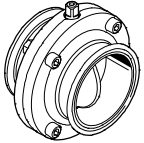
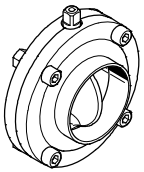
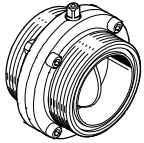
Hygienic butterfly valves VZFB



# Hygienic butterfly valves VZFB

Product range overview

FESTO

Version	Type	Based on standard	Nominal width DN	Process valve nominal pressure PN	→ Page
<b>With clamp CC</b>					
	VZFB-A	ASME BPE	1	10	4
			1½		
			2		
			2½		
			3		
			4		
<b>With welded end WW</b>					
	VZFB-D	DIN 11851	DN25	10	4
			DN40		
			DN50		
			DN65		
			DN80		
			DN100		
<b>With thread TT</b>					
	VZFB-SZ	SMS 1145	1	10	4
			1½		
			2		
			2½		
			3		
			4		

# Hygienic butterfly valves VZFB

Type codes

VZFB - A - 1 - C C - V4 V4 E

**Type**

VZFB	Hygienic butterfly valves
------	---------------------------

**Based on standard**

A	ASME BPE
D	DIN 11851
SZ	SMS 1145

**Size**

1	1
1½	1½
2	2
2½	2½
3	3
4	4
25	DN25
40	DN40
50	DN50
65	DN65
80	DN80
100	DN100

**Connection type 1**

C	Clamp
W	Welded end
T	Thread

**Connection type 2**

C	Clamp
W	Welded end
T	Thread

**Body**

V4	Stainless steel 1.4404
V2	Stainless steel 1.4301

**Connecting component**

V4	Stainless steel 1.4404
V2	Stainless steel 1.4301

**Seals**

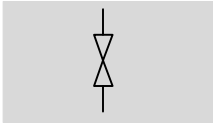
E	EPDM
V	FPM

# Hygienic butterfly valves VZFB

Technical data

FESTO

Function

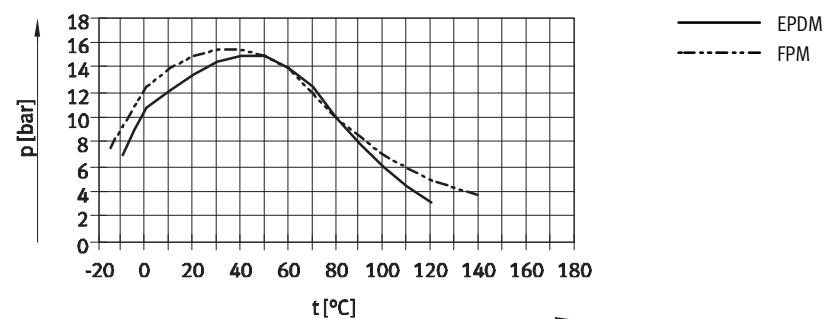


General Technical data	
Design	2-way hygienic butterfly valve
Sealing principle	Soft
Actuation type	Manual
Mounting position	Any
Type of mounting	In-line installation
Direction of flow	Reversible
Suitability for use in the food industry	As per manufacturer's declaration

Operating and environmental conditions		
Nominal pressure PN	10	
Medium	Water	
	Neutral fluids	
Temperature of medium <sup>1)</sup>		
VZFB-...-...-...-E	[°C]	-10 ... 120
VZFB-...-...-...-V	[°C]	-15 ... 140
Corrosion resistance		
VZFB-...-...-...-V2V2	CRC <sup>2)</sup>	3
VZFB-...-...-...-V4V4	CRC <sup>3)</sup>	4

- 1) The pressure diagram must be observed. The permissible temperature is dependent on the pressure range.
- 2) Corrosion resistance class 3 according to Festo standard 940 070  
Components subject to high corrosion stress. External visible parts in direct contact with industrial atmospheres or media such as solvents and cleaning agents, with a predominantly functional requirement for the surface.
- 3) Corrosion resistance class 4 to Festo standard 940 070  
Components subject to particularly high corrosion stress. Parts used with aggressive media, e.g. in the food or chemical industry. These applications should be supported with special tests with the media if required.

## Permissible operating pressure p as a function of the temperature of the medium t



Materials	Information on materials	Material number
Housing, washer, shaft		
VZFB-...-...-...-V2V2	High-alloy stainless steel	1.4301
VZFB-...-...-...-V4V4		1.4404
Note on materials	Free of copper and PTFE, RoHS-compliant, contains PWIS (paint-wetting impairment substances)	

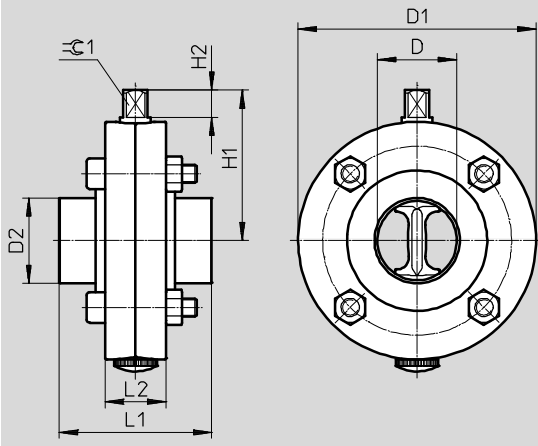
# Hygienic butterfly valves VZFB

Technical data

Dimensions with welded end

Download CAD data → [www.festo.com](http://www.festo.com)

VZFB-...-...-WW-...



Type	D ∅	D1 ∅	D2 ∅	H1 ±0.5	H2 ±0.5	L1 ±1	L2	≈C1
VZFB-A-1-WW-...	22.4	78	25.4	49.4	9	50	20	8
VZFB-A-1½-WW-...	35.1	86	38.1	53.3	9	50	20	8
VZFB-A-2-WW-...	47.8	102	50.8	62.5	10	52	22	10
VZFB-A-2½-WW-...	59.5	115	63.5	69	10	56	22	10
VZFB-A-3-WW-...	72.2	128	76.2	75.5	10	56	22	10
VZFB-A-4-WW-...	97.6	154	101.6	90.3	11	64	22	11
VZFB-D-25-WW-...	26	78	28	49	9	50	20	8
VZFB-D-40-WW-...	38	90	40	55.6	9	50	20	8
VZFB-D-50-WW-...	50	106	52	64.3	10	52	22	10
VZFB-D-65-WW-...	66	124	70	73.7	10	56	22	10
VZFB-D-80-WW-...	81	139	85	81.6	11	60	22	11
VZFB-D-100-WW-...	100	159	104	91.8	11	64	22	11

# Hygienic butterfly valves VZFB

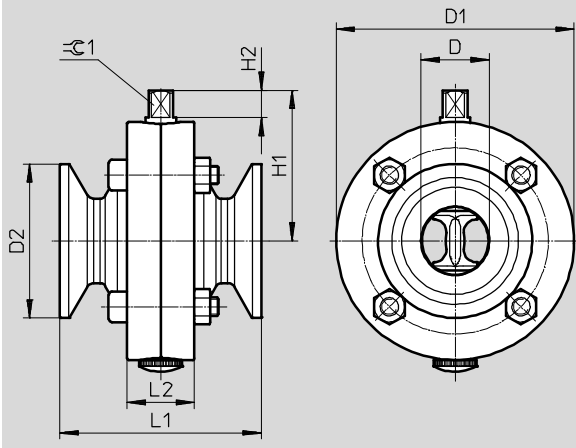
Technical data

FESTO

## Dimensions with clamp

Download CAD data → [www.festo.com](http://www.festo.com)

VZFB-A-...-...-CC-...



Type	D ∅	D1 ∅	D2 ∅	H1 ±0.5	H2 ±0.5	L1 ±1	L2	≡C1
VZFB-A-1-CC-...	22.4	78	50.5	49.4	9	66	20	8
VZFB-A-1½-CC-...	35.1	86	50.5	53.3	9	70	20	8
VZFB-A-2-CC-...	47.8	102	64	62.5	10	76	22	10
VZFB-A-2½-CC-...	59.5	115	77.5	69	10	80	22	10
VZFB-A-3-CC-...	72.2	128	91	75.5	10	84	22	10
VZFB-A-4-CC-...	97.6	154	119	90.3	11	104	22	11

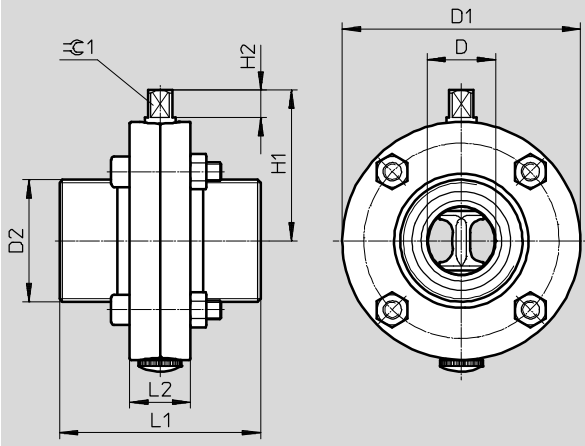
# Hygienic butterfly valves VZFB

Technical data

Dimensions with thread

Download CAD data → [www.festo.com](http://www.festo.com)

VZFB-SZ-...-TT-...

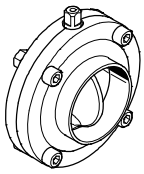


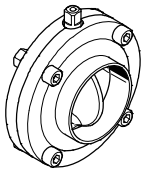
Type	D ∅	D1 ∅	D2 ∅	H1 ±0.5	H2 ±0.5	L1 ±1	L2	⊖C1
VZFB-SZ-1-...	22.4	78	Rd 40x1/6	49.4	9	66	20	8
VZFB-SZ-1½-...	35.1	86	Rd 60x1/6	53.3	9	70	20	8
VZFB-SZ-2-...	47.8	102	Rd 70x1/6	62.5	10	76	22	10
VZFB-SZ-2½-...	59.5	115	Rd 85x1/6	69	10	80	22	10
VZFB-SZ-3-...	72.2	128	Rd 98x1/6	75.5	10	84	22	10
VZFB-SZ-4-...	97.6	154	Rd 125x1/4	90.3	11	104	22	11

# Hygienic butterfly valves VZFB

Technical data

FESTO

Ordering data – with welded ends						
	Process valve connection	Nominal width	Actuation moment	Weight [g]	Part No.	Type
	Weld-on ends	1	8	1 000	2462175	VZFB-A-1"-WW-V2V2E
					2464012	VZFB-A-1"-WW-V2V2V
					2461976	VZFB-A-1"-WW-V4V4E
					2462087	VZFB-A-1"-WW-V4V4V
		1½	10	1100	2462202	VZFB-A-11/2"-WW-V2V2E
					2464023	VZFB-A-11/2"-WW-V2V2V
					2461994	VZFB-A-11/2"-WW-V4V4E
					2462096	VZFB-A-11/2"-WW-V4V4V
		2	14	1 500	2462219	VZFB-A-2"-WW-V2V2E
					2464034	VZFB-A-2"-WW-V2V2V
					2462007	VZFB-A-2"-WW-V4V4E
					2462105	VZFB-A-2"-WW-V4V4V
		2½	15	1 800	2462238	VZFB-A-21/2"-WW-V2V2E
					2464045	VZFB-A-21/2"-WW-V2V2V
					2462020	VZFB-A-21/2"-WW-V4V4E
					2462114	VZFB-A-21/2"-WW-V4V4V
		3	18	2100	2462254	VZFB-A-3"-WW-V2V2E
					2464056	VZFB-A-3"-WW-V2V2V
					2462046	VZFB-A-3"-WW-V4V4E
					2462123	VZFB-A-3"-WW-V4V4V
		4	35	2 800	2462270	VZFB-A-4"-WW-V2V2E
					2464067	VZFB-A-4"-WW-V2V2V
					2462073	VZFB-A-4"-WW-V4V4E
					2462132	VZFB-A-4"-WW-V4V4V

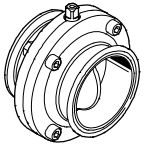
Ordering data – with welded ends						
	Process valve connection	Nominal width	Actuation moment	Weight [g]	Part No.	Type
	Weld-on ends	25	8	900	2466705	VZFB-D-25-WW-V2V2E
					2466802	VZFB-D-25-WW-V2V2V
					2464096	VZFB-D-25-WW-V4V4E
					2464945	VZFB-D-25-WW-V4V4V
		40	10	1100	2466715	VZFB-D-40-WW-V2V2E
					2466813	VZFB-D-40-WW-V2V2V
					2464098	VZFB-D-40-WW-V4V4E
					2464962	VZFB-D-40-WW-V4V4V
		50	14	1600	2466725	VZFB-D-50-WW-V2V2E
					2466823	VZFB-D-50-WW-V2V2V
					2464100	VZFB-D-50-WW-V4V4E
					2464974	VZFB-D-50-WW-V4V4V
		65	18	2100	2466735	VZFB-D-65-WW-V2V2E
					2466834	VZFB-D-65-WW-V2V2V
					2464102	VZFB-D-65-WW-V4V4E
					2464987	VZFB-D-65-WW-V4V4V
		80	20	2500	2466745	VZFB-D-80-WW-V2V2E
					2466846	VZFB-D-80-WW-V2V2V
					2464105	VZFB-D-80-WW-V4V4E
					2464997	VZFB-D-80-WW-V4V4V
		100	35	3100	2466755	VZFB-D-100-WW-V2V2E
					2466857	VZFB-D-100-WW-V2V2V
					2464108	VZFB-D-100-WW-V4V4E
					2465010	VZFB-D-100-WW-V4V4V

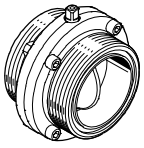


# Hygienic butterfly valves VZFB

Technical data

FESTO

Ordering data – with clamp						
	Process valve connection	Nominal width	Actuation moment [Nm]	Weight [g]	Part No.	Type
	Clamp	1	8	1200	2461325	VZFB-A-1"-CC-V2V2E
					2461827	VZFB-A-1"-CC-V2V2V
					2461256	VZFB-A-1"-CC-V4V4E
					2461888	VZFB-A-1"-CC-V4V4V
		1½	10	1200	2461329	VZFB-A-1½"-CC-V2V2E
					2461829	VZFB-A-1½"-CC-V2V2V
					2461271	VZFB-A-1½"-CC-V4V4E
					2461903	VZFB-A-1½"-CC-V4V4V
		2	14	1700	2461337	VZFB-A-2"-CC-V2V2E
					2461840	VZFB-A-2"-CC-V2V2V
					2461283	VZFB-A-2"-CC-V4V4E
					2461914	VZFB-A-2"-CC-V4V4V
		2½	15	2000	2461676	VZFB-A-2½"-CC-V2V2E
					2461851	VZFB-A-2½"-CC-V2V2V
					2461289	VZFB-A-2½"-CC-V4V4E
					2461935	VZFB-A-2½"-CC-V4V4V
		3	18	2400	2461815	VZFB-A-3"-CC-V2V2E
					2461866	VZFB-A-3"-CC-V2V2V
					2461296	VZFB-A-3"-CC-V4V4E
					2461946	VZFB-A-3"-CC-V4V4V
4	35	3300	2461819	VZFB-A-4"-CC-V2V2E		
			2461877	VZFB-A-4"-CC-V2V2V		
			2461303	VZFB-A-4"-CC-V4V4E		
			2461959	VZFB-A-4"-CC-V4V4V		

Ordering data – with male thread						
	Process valve connection	Nominal width	Actuation moment	Weight [g]	Part No.	Type
	Male thread	1	8	1100	2471190	VZFB-SZ-1"-TT-V2V2E
					2472659	VZFB-SZ-1"-TT-V2V2V
					2468221	VZFB-SZ-1"-TT-V4V4E
					2468949	VZFB-SZ-1"-TT-V4V4V
		1½	10	1 500	2471203	VZFB-SZ-1½"-TT-V2V2E
					2472669	VZFB-SZ-1½"-TT-V2V2V
					2468231	VZFB-SZ-1½"-TT-V4V4E
					2468959	VZFB-SZ-1½"-TT-V4V4V
		2	14	2000	2471236	VZFB-SZ-2"-TT-V2V2E
					2472679	VZFB-SZ-2"-TT-V2V2V
					2468241	VZFB-SZ-2"-TT-V4V4E
					2468970	VZFB-SZ-2"-TT-V4V4V
		2½	15	2600	2471249	VZFB-SZ-2½"-TT-V2V2E
					2472689	VZFB-SZ-2½"-TT-V2V2V
					2468252	VZFB-SZ-2½"-TT-V4V4E
					2468980	VZFB-SZ-2½"-TT-V4V4V
		3	18	3200	2471261	VZFB-SZ-3"-TT-V2V2E
					2472699	VZFB-SZ-3"-TT-V2V2V
					2468263	VZFB-SZ-3"-TT-V4V4E
					2468990	VZFB-SZ-3"-TT-V4V4V
4	35	4800	2471272	VZFB-SZ-4"-TT-V2V2E		
			2472709	VZFB-SZ-4"-TT-V2V2V		
			2468273	VZFB-SZ-4"-TT-V4V4E		
			2469000	VZFB-SZ-4"-TT-V4V4V		

# Hygienic butterfly valves VZFB

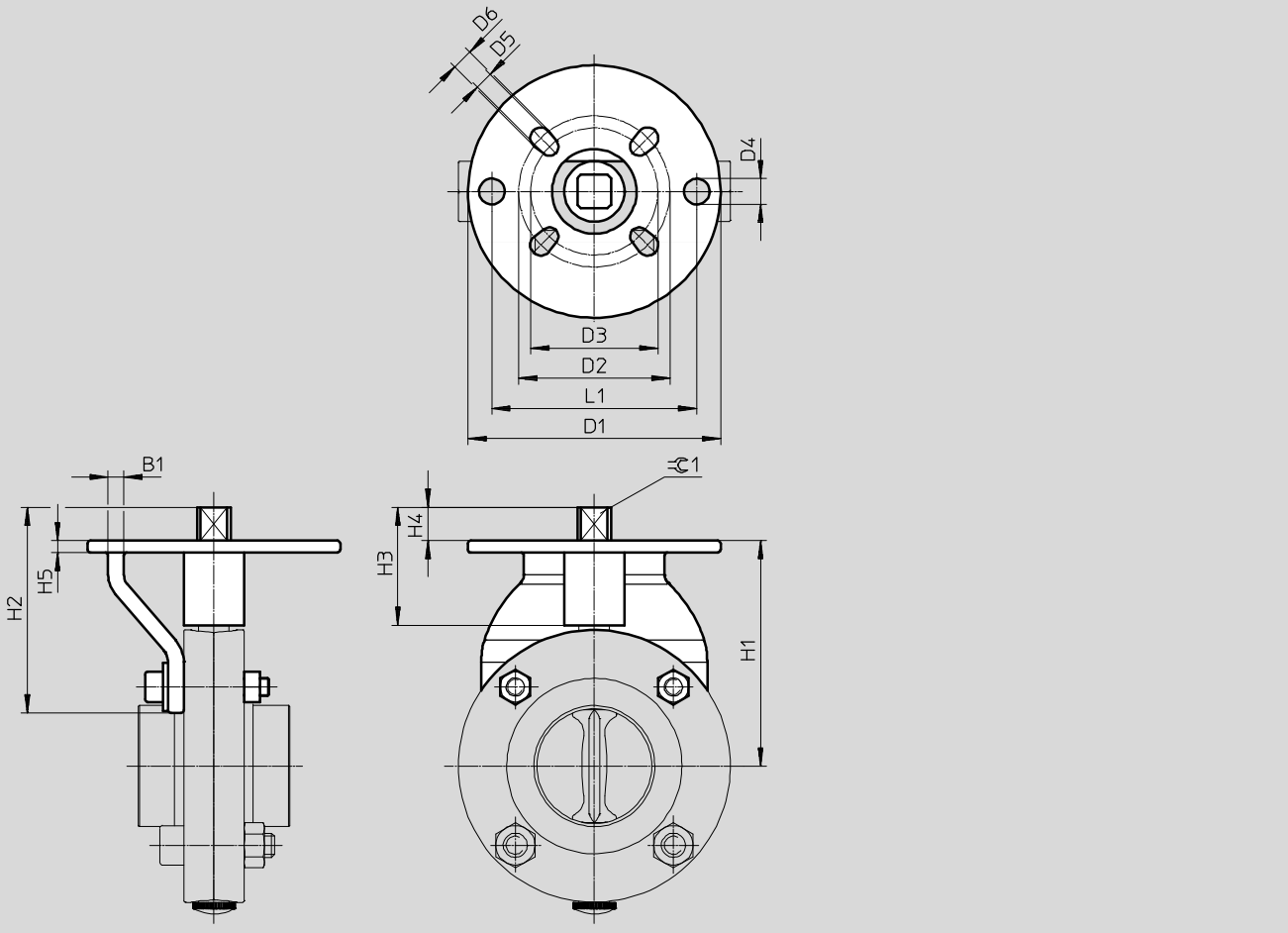
Accessories

FESTO

## Dimensions

Download CAD data → [www.festo.com](http://www.festo.com)

DARQ-K-...-F0405-S-...-R1



# Hygienic butterfly valves VZFB

Accessories

FESTO

Type	Valve size DIN	Drive	B1	D1 ∅	D2 ∅	D3 ∅	D4 ∅	D5 ∅
DARQ-K-25-F0405-S11-S-R1	DN 25	Single	5.2	83.5	50	42	9	6
	DN 25	Double	5.2	83.5	50	42	9	6
	DN 40	Double	5.2	83.5	50	42	9	6
DARQ-K-50-F0405-S11-D-R1	DN 50	Double	5	83.5	50	42	9	6
DARQ-K-65-F0405-S14-S-R1	DN 65	Single	5	83.5	50	42	9	6
	–	Single	5	83.5	50	42	9	6
DARQ-K-65-F0405-S11-D-R1	DN 65	Double	5	83.5	50	42	9	6
	–	Double	5	83.5	50	42	9	6
DARQ-K-80-F0405-S11-D-R1	DN 80	Double	5	83.5	50	42	9	6
DARQ-K-80-F0405-S14-S-R1	DN 80	Single	5	83.5	50	42	9	6
	DN 100	Double	5	83.5	50	42	9	6
DARQ-K-100-F0405-S17-S-R1	DN 100	Single	5	83.5	50	42	9	6

Type	D6 ∅	H1 DIN	H2	H3	H4	H5	L1	≈C1
DARQ-K-25-F0405-S11-S-R1	7	68	67	39	11	4	67.8	11
	7	68	67	39	11	4	67.8	11
	7	74.6	67	39	11	4	67.8	11
DARQ-K-50-F0405-S11-D-R1	7	82.3	80	39	11	5	67.8	11
DARQ-K-65-F0405-S14-S-R1	7	91.7	86	43	15	5	67.8	14
	7	–	86	43	15	5	67.8	14
DARQ-K-65-F0405-S11-D-R1	7	91.7	86	39	11	5	67.8	11
	7	–	86	39	11	5	67.8	11
DARQ-K-80-F0405-S11-D-R1	7	98.6	93	39	11	5	67.8	11
DARQ-K-80-F0405-S14-S-R1	7	98.6	93	43	15	5	67.8	14
	7	108.8	93	43	15	5	67.8	14
DARQ-K-100-F0405-S17-S-R1	7	108.8	110	46	18	5	67.8	17

# Hygienic butterfly valves VZFB

Accessories



## Mounting kit DARQ

Information on materials:  
Mounting, coupling:  
High-alloy stainless steel

Note on materials:  
Contains PWIS (paint-wetting impairment substances), RoHS-compliant, free of copper and PTFE



Mounting kit	Size	Based on standard	Corrosion resistant CRC <sup>1)</sup>	Weight [g]	Part No.	Type
	M6	ISO 5211	3	400	2500146	DARQ-K-25-F0405-S11-S-R1
	M8			450	2500158	DARQ-K-50-F0405-S11-D-R1
					2500184	DARQ-K-65-F0405-S14-S-R1
					2500187	DARQ-K-65-F0405-S11-D-R1
				500	2500190	DARQ-K-80-F0405-S11-D-R1
				2500192	DARQ-K-80-F0405-S14-S-R1	
				2500194	DARQ-K-100-F0405-S17-S-R1	

1) CRC3: Corrosion resistance class to Festo standard 940 070  
Components with heavy corrosion exposure. Externally visible components in direct contact with normal industrial atmosphere or media such as solvents and cleaning agents, where the surface requirement is predominantly functional.

# Hygienic butterfly valves VZFB

Accessories



## Hand lever VAOH

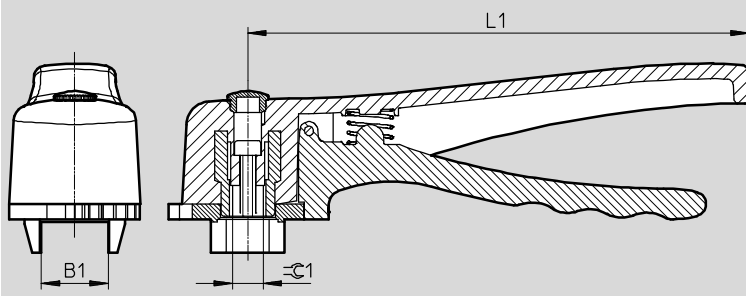
Information on materials:  
High-alloy stainless steel

Note on materials:  
Contains PWIS (paint-wetting impairment substances), RoHS-compliant, free of copper and PTFE



### Dimensions and ordering data

Download CAD data → [www.festo.com](http://www.festo.com)



Hand lever	B1	L1	$\approx C1$	Corrosion resistant CRC <sup>1)</sup>	Weight [g]	Part No.	Type
	20.2	164	8	3	300	<b>2500270</b>	<b>VAOH-N3-H10</b>
	22.2	164	10			<b>2500273</b>	<b>VAOH-N5-H10</b>
	22.2	164	11			<b>2500198</b>	<b>VAOH-N6-H10</b>

1) CRC3: Corrosion resistance class to Festo standard 940 070  
Components with heavy corrosion exposure. Externally visible components in direct contact with normal industrial atmosphere or media such as solvents and cleaning agents, where the surface requirement is predominantly functional.

# Festo - Your Partner in Automation



**1 Festo Inc.**  
5300 Explorer Drive  
Mississauga, ON L4W 5G4  
Canada

**Festo Customer Interaction Center**  
Tel: 1 877 463 3786  
Fax: 1 877 393 3786  
Email: [customer.service.ca@festo.com](mailto:customer.service.ca@festo.com)



**2 Festo Pneumatic**  
Av. Ceylán 3,  
Col. Tequesquináhuac  
54020 Tlalnepantla,  
Estado de México

**Multinational Contact Center**  
01 800 337 8669  
[ventas.mexico@festo.com](mailto:ventas.mexico@festo.com)



**3 Festo Corporation**  
1377 Motor Parkway  
Suite 310  
Islandia, NY 11749

**Festo Customer Interaction Center**  
1 800 993 3786  
1 800 963 3786  
[customer.service.us@festo.com](mailto:customer.service.us@festo.com)



**4 Regional Service Center**  
7777 Columbia Road  
Mason, OH 45040

Connect with us



[www.festo.com/socialmedia](http://www.festo.com/socialmedia)



[www.festo.com](http://www.festo.com)

Subject to change