

Push-in fittings QS-V0, resistant to welding spatter

FESTO



Key features

Application



Choosing the right fitting is effortless. With a system that includes well over 1000 types of standard and function fittings, Festo offers the right solution for every connection.

Summary of tubing/fitting combinations

Applications	Fitting	Tubing	Description
Standard	QS	PEN	Suitable for a wide range of tasks and attractively priced. Flexible thanks to highly resistant materials, easy to install thanks to optimised bending radii. High level of abrasion resistance in dynamic applications.
	QS	PUN	Maximum flexibility in standard applications thanks to an extremely wide range of options for combining the different types.
	QS	PAN	Meets all requirements, even for standard applications with increased pressure and temperature ranges.
High pressures	NPQM	PAN-MF	Meets DIN standard 73378: ideal for use in mobile pneumatics. Suitable for increased temperature ranges combined with high pressure ranges.
	NPQH	PAN-R	Powerful in pressure ranges up to 20 bar, for example in applications with the pressure booster DPA.
	NPQR	PUN-H-SF	Use in areas with higher pressure ranges and humidity. Tubing PUN-H-SF is resistant to kinking and hydrolysis and is suitable for water applications.
Resistant to chemicals and hydrolysis	NPQP	PLN	Resistant to cleaning agents, FDA-compliant and economical. Can be used instead of the combination with stainless steel fittings.
	NPKA	PUN-H	Hydrolysis-resistant and suitable for water applications. Combination suitable for use in cleanrooms, FDA-compliant and corrosion-resistant because it's 100% polymer. Very easy to install with the "one-click principle".
	NPQR	PFAN/PTFEN	Optimised design, fewer edges where dirt can collect – all at an attractive price. For high temperatures up to 150 °C. Pressure range up to 16 bar. Maximum corrosion resistance (CRC 4).
	NPCK	PFAN/PTFEN	Easy to clean thanks to the union nut's edge-free design. Maximum corrosion resistance (CRC 4) and FDA-compliant. Suitable for a wide range of media.
	CRQS	PFAN/PTFEN	Maximum corrosion resistance (CRC 4) and maximum resistance to aggressive acids and alkalis.
Resistant to chemicals and hydrolysis, food-safe	NPQR	PUN-H-F/PFAN	Food-safe to Regulation (EC) No. 1935/2004 and FDA-listed materials. Can be used in the food and packaging industry in combination with PUN-H-F and PFAN.
	NPQH	PFAN/PTFEN	For high temperatures up to 150 °C. Food-safe to Regulation (EC) No. 1935/2004, FDA-listed materials and resistant to cleaning agents.
Anti-static	NPQM	PUN-CM	Antistatic tubing plus solid metal fitting: maximum protection for electrical and electronic components.
Flame-retardant	NPQM	PUN-V0	Very safe in areas where there is a risk of fire thanks to flame-retardant properties. The tubing has been tested to DIN 5510-2.
Resistant to welding spatter	NPQH	PUN-V0-C	Ideal for applications involving welding spatter. Reliable thanks to a tubing wall thickness of 2 mm for all diameters.
	QS-V0	PAN-V0	Safe even in the immediate vicinity of welding spatter thanks to double-walled tubing with special fitting.
Battery production	NPQE-F1A ¹⁾	PUN-H	Suitable in battery production areas.

1) F1A = Free of copper, zinc and nickel

Key features

Push-in fittings – Product range

QSM, mini

Datasheets → Internet: qsm



Compact push-in fittings for maximum component density in confined spaces. For pneumatic applications with a temperature range up to 80 °C and a pressure range up to 14 bar. Tubing O.D. of 2, 3, 4 and 6 mm with connecting threads M3, M5, M6, M7, R1/8 and G1/8.

QS, standard

Datasheets → Internet: qs



Wide selection of push-in fittings for pneumatic applications with a temperature range up to 80 °C and a pressure range up to 14 bar. Tubing O.D. of 4, 6, 8, 10, 12, 16 and 22 mm with connecting thread R1/8 ... R1/2 and G1/8 ... G3/4.

CRQS, stainless steel

Datasheets → Internet: crqs



Stainless steel push-in fitting. Maximum corrosion resistance CRC4 and chemical resistance with approval for use in the food and packaging industry. For pneumatic applications with a temperature range up to 120 °C and a pressure range up to 10 bar. Tubing O.D. of 4, 6, 8, 10, 12 and 16 mm with connecting threads M5 and R1/8 ... R1/2.

QS-V0, resistant to welding spatter

Datasheets → Internet: qs-v0



Flame-retardant push-in fitting for use in all areas where there is a risk of fire, for example welding systems in the automotive industry, and in the construction industry. For pneumatic applications with a temperature range up to 60 °C and a pressure range up to 10 bar. Tubing O.D. of 4, 6, 8, 10 and 12 mm with connecting threads R1/8 ... R1/2 and G1/8 ... G1/2.

NPQH

Datasheets → Internet: npqh



All metal push-in fitting made of chemically nickel-plated brass. High corrosion resistance CRC3 and chemical resistance. For pneumatic applications with a temperature range up to 150 °C and a pressure range up to 20 bar. Tubing O.D. of 4, 6, 8, 10, 12 and 14 mm with connecting thread M5, M7 and G1/8 ... G1/2.

NPQM

Datasheets → Internet: npqm



Attractively priced metal push-in fitting for pneumatic applications with a temperature range up to 70 °C and a pressure range up to 16 bar. Tubing O.D. of 3, 4, 6, 8, 10, 12 and 14 mm with connecting thread M5, M7 and G1/8 ... G1/2.

NPQP

Datasheets → Internet: npqp



Polypropylene fitting for use in applications with extreme media influences. For pneumatic applications with a temperature range up to 60 °C and a pressure range up to 10 bar. Tubing O.D. of 4, 6, 8, 10 and 12 mm with connecting thread R1/8 ... R1/2.

NPQR, stainless steel

Datasheets → Internet: npqr



Stainless steel push-in fitting. Maximum corrosion resistance CRC 4 and chemical resistance. For pneumatic applications with a temperature range up to 150 °C and a pressure range up to 16 bar. Tubing O.D. of 4, 6, 8, 10 and 12 mm with connecting thread M5, M7 and G1/8 ... G1/2.

Key features

Functional push-in fittings – Product range

QSK,
push-in fitting, self-sealing

Datasheets → Internet: qsk



Push-in fitting that blocks the air flow after the tubing is disconnected. For pneumatic applications with a temperature range up to 60 °C and a pressure range up to 14 bar.
Tubing O.D. of 4, 6, 8, 10 and 12 mm with connecting threads M5, R1/8 ... R1/2 and G1/8 ... G1/2.

QSR,
push-in fitting, rotatable

Datasheets → Internet: qsr



Push-in fitting with swivel joint, rotatable by 360°. The ball bearing enables rotating movements in the application up to max. 500 rpm. For pneumatic applications with a temperature range up to 60°C and a pressure range up to 14 bar.
Tubing O.D. of 4, 6, 8, 10 and 12 mm with connecting threads M5, R1/8 ... R1/2 and G1/8 ... G1/2.

Quick connectors – Product range

NPCK

Datasheets → Internet: npck



Stainless steel fitting for use in areas subject to intensive cleaning. Maximum corrosion resistance CRC 4. For pneumatic applications with a temperature range up to 120 °C and a pressure range up to 12 bar.
Tubing O.D. 4, 6, 8 and 10 mm with connecting thread M5 and G1/8 ... G3/8.

Click fittings – Product range

NPKA

Datasheets → Internet: npka



Polymer fitting for easy installation with one hand. Hydrolysis-resistant, FDA-compliant and easy to clean. For pneumatic applications with a temperature range up to 60 °C and a pressure range up to 10 bar.
Tubing O.D. of 6 mm with connecting thread G1/8.

Simply "plug and work"

The stainless steel retaining claw holds the tubing securely without damaging its surface. Vibration and pressure surges are absorbed.

Reliably connected

A nitrile rubber sealing ring guarantees a perfect seal between the standard O.D. tubing and the body of the fitting. The standard tubing combined with the Festo push-in connector is suitable for compressed air and vacuum.

The captive seal

All brass parts of the push-in fittings from Festo are nickel-plated and thus highly resistant to corrosion. The tapered ISO R threads have a self-sealing PTFE coating, which allows the fitting to be re-used up to five times without the need for additional sealing components.

Rotatable

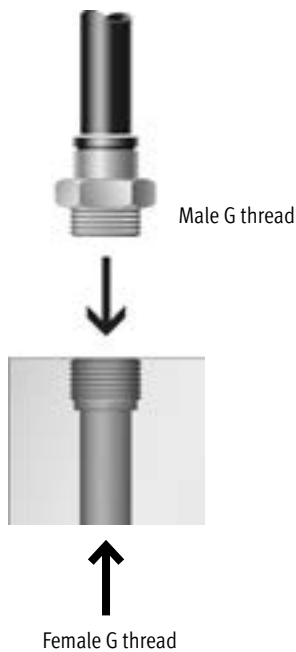
It can be rotated once it has been fitted.

Key features

Which fitting fits which thread?

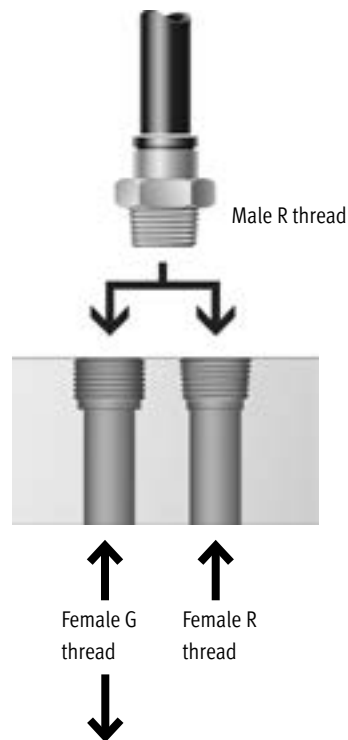
G thread to ISO 228-1

- Shorter thread
- Constant installation depth
- Replaceable sealing ring
- Sealing at the front
- Can be re-used a number of times thanks to replaceable sealing ring.



R thread to EN 10226-1 and ISO 7/1

- Self-sealing thread
- Sealing via coated threads
- No additional sealing surface required
- Smaller installation dimensions since there is no need for an offset for the sealing surface
- Can be reused up to 5 times.



Note
If male R threads are combined with female G threads, leakage can occur if the female G thread was not manufactured cleanly or if it is not within permissible tolerances. In this case additional sealing, e.g. using a sealing band, is required.

Note

All R threads are coated with a sealing material. This coating replaces the conventional sealing ring. Simply screw in the R thread by hand and tighten it by turning it 1 or 2 times using an open-ended spanner. The fitting can be re-installed up to five times.

When screwing in R threads several times, you must make sure that the abraded particles from the sealing material coating cannot enter the compressed air system.

Tube mounting/dismounting

Mounting

The prerequisite for ensuring that the inner seal is securely held and protected against damage is that the tube is cut into straight lengths and deburred.

- 1) Insert tubing as far as the stop.
It is important to ensure that the tubing is inserted into the inner seal. Depending on the tolerance between the tubing and the seal, the contact of the tubing with the seal may be wrongly interpreted as the stop.
- 2) Check that the tubing connection is secure by pulling gently on the tube.

Dismantling

- 1) The tubing can be detached easily by pressing and holding down the releasing ring. Carefully remove the tubing from the fitting.
- 2) Before re-using the tubing, remove the damaged part by cutting it off.

Technical data

General technical data

Design	Push-pull principle
Mounting position	Any
Type of seal on screwed plug	Sealing ring for G thread Coating for R thread
Nominal tightening torque [Nm]	7 ±20% with G1/8 male thread 9 ±20% with G1/4 male thread 15.5 ±20% with G3/8 male thread 26 ±20% with G1/2 male thread
Tubing insertion depth ¹⁾ [mm]	20 at tubing O.D. 4 mm 22 at tubing O.D. 6 mm 23.5 at tubing O.D. 8 mm 26 at tubing O.D. 10 mm 28.5 at tubing O.D. 12 mm

1) The indicated tubing insertion depths are reference values and may vary slightly depending on the type.

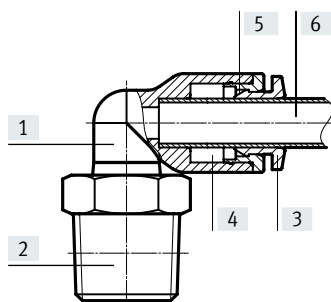
Operating and environmental conditions

Operating pressure for full temperature range	[MPa]	-0.095 ... +1
	[bar]	-0.95 ... +10
	[psi]	-13.775 ... +145
Note on operating pressure	Water: max. 0.6 MPa at max. 50°C	
Operating medium	Compressed air to ISO 8573-1:2010 [7:-:-] Water (liquid, ice-free)	
Note on the operating/pilot medium	Lubricated operation possible	
Ambient temperature [°C]	0 ... +60	
Corrosion resistance class CRC ¹⁾	2 - Moderate corrosion stress	
Material fire test	UL94 V-0 (housing, releasing ring)	

1) More information www.festo.com/x/topic/crc

Materials

Sectional view



Type	QS-V0, resistant to welding spatter
[1] Housing	PBT
[2] Screwed plug	Nickel-plated brass
[3] Release ring	PBT (colour: black)
[4] Tubing seal	NBR
[5] Tube clamping segment	High-alloy stainless steel Brass
[6] Plastic tubing, standard O.D.	PAN-V0
Note on materials	RoHS-compliant
LABS (PWIS) conformity	VDMA24364-B1/B2-L







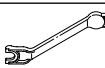
Possible push-in fitting/tubing combinations

Thread	Tubing O.D. [mm]				
	4	6	8	10	12
R1/8	+	++	+	-	-
R1/4	-	+	++	+	+
R3/8	-	-	+	++	+
R1/2	-	-	-	+	++
G1/8	-	++	+	-	-
G1/4	-	+	++	+	+
G3/8	-	-	+	++	+
G1/2	-	-	-	+	++

+ Possible thread/tubing O.D. combinations

++ Optimum thread/tubing O.D. combination (for the flow rate)

Product range overview

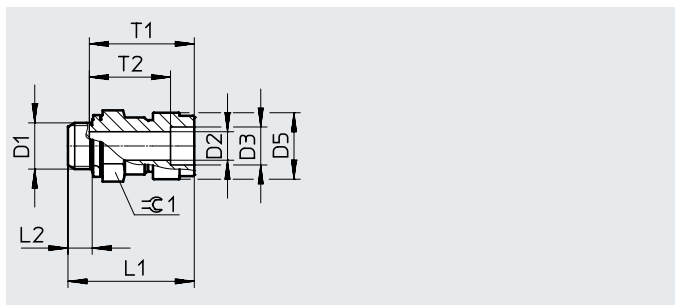
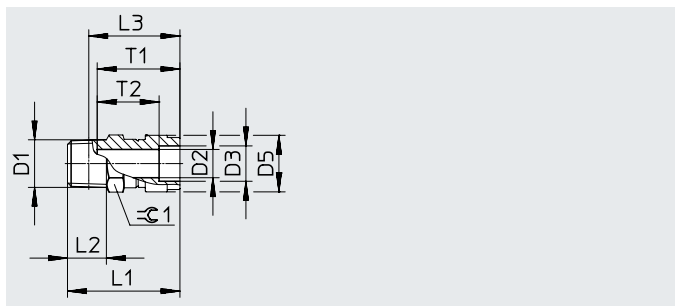
Design	Version	Type	Connection D1			Connection D2		→ Page/ Internet
			R thread	G thread	Tubing O.D.	Tubing O.D.		
To UL94 V-0 – For plastic tubing PAN/PUN-V0								
Straight shape	Push-in fitting – Male thread with external hex							
		QS-V0	R1/8	G1/8	–	4 ¹⁾ , 6, 8	8	
			R1/4	G1/4		6, 8, 10, 12		
			R3/8	G3/8		8, 10, 12		
			R1/2	G1/2		10, 12		
	Push-in connector							
		QS-V0	–	–	4	–	9	
			–	–	6			
			–	–	8			
			–	–	10			
–			–	12				
L-shape	Push-in L-fitting – Male thread with external hex							
		QS-L-V0	R1/8	G1/8	–	4 ¹⁾ , 6, 8	10	
			R1/4	G1/4		6, 8, 10, 12		
			R3/8	G3/8		8, 10, 12		
			R1/2	G1/2		10, 12		
	Push-in L-connector							
		QS-L-V0	–	–	4	–	11	
			–	–	6			
			–	–	8			
			–	–	10			
–			–	12				
T-shape	Push-in T-fitting – Male thread with external hex							
		QS-T-V0	R1/8	G1/8	–	4 ¹⁾ , 6, 8	12	
			R1/4	G1/4		6, 8, 10, 12		
			R3/8	G3/8		8, 10, 12		
			R1/2	G1/2		10, 12		
	Push-in T-connector							
		QS-T-V0	–	–	4	–	13	
			–	–	6			
			–	–	8			
			–	–	10			
–			–	12				
Release tool	Quick-out release tool for push-in connections							
		QS0						14

1) Only in conjunction with R thread

Datasheet

Push-in fitting QS-V0

Male thread with external hex



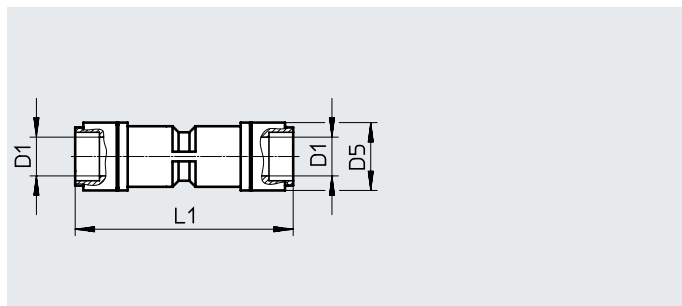
Dimensions and ordering data

Pneumatic connection		Nominal width	Dimensions [mm]								Weight/ piece	Part no.	Type	Pcs. ¹⁾
Male thread	For tubing O.D.		D3 ∅	D5 ∅	L1	L2	L3	T1	T2	≡G 1				
D1	D2	[mm]									[g]			
R thread														
R1/8	4	3	6	12	26.1	8	22.1	20	15	10	7.9	132888	QS-V0-1/8-4	1
	6	5	8	14	27.4	8	23.4	22.1	16.5	12	8.7	160500	QS-V0-1/8-6	10
	8	6	10	16	33.1	8	29.1	23.4	17.5	14	14	160501	QS-V0-1/8-8	10
R1/4	6	5	8	14	28.8	11	22.7	22.1	16.5	14	15	160502	QS-V0-1/4-6	10
	8	7	10	16	31.8	11	25.8	23.4	17.5	14	15	160503	QS-V0-1/4-8	10
	10	8.5	12	19	35	11	29	25.9	20	17	20	160504	QS-V0-1/4-10	10
	12	8.5	14	22	40.9	11	34.9	28.3	23.3	21	28	160505	QS-V0-1/4-12	1
R3/8	8	7	10	16	30.7	12	24.4	23.4	17.5	17	25	160506	QS-V0-3/8-8	10
	10	9	12	19	34.5	12	28.2	25.9	20	17	25	160507	QS-V0-3/8-10	10
	12	11	14	22	36.9	12	30.6	28.3	23.3	21	31	160508	QS-V0-3/8-12	1
R1/2	10	9	12	19	35.6	15	27.4	25.9	20	21	46	160509	QS-V0-1/2-10	1
	12	11	14	22	38.9	15	30.7	28.3	23.3	21	45	160510	QS-V0-1/2-12	1
G thread with sealing ring														
G1/8	6	5	8	14	25.7	4.2	-	22.1	16.5	13	8.7	186314	QS-V0-G1/8-6	10
	8	6	10	16	31	4.2	-	23.4	17.5	14	13	186315	QS-V0-G1/8-8	10
G1/4	6	5	8	14	26.3	4.8	-	22.1	16.5	17	17	186316	QS-V0-G1/4-6	10
	8	7	10	16	27.1	4.8	-	23.4	17.5	17	15	186317	QS-V0-G1/4-8	10
	10	8.5	12	19	34.1	4.8	-	25.9	20	17	22	186318	QS-V0-G1/4-10	10
	12	8.5	14	22	39.1	4.8	-	28.3	23.3	21	30	186319	QS-V0-G1/4-12	1
G3/8	8	7	10	16	26.9	5.8	-	23.4	17.5	19	22	186320	QS-V0-G3/8-8	10
	10	9	12	19	30.6	5.8	-	25.9	20	19	23	186321	QS-V0-G3/8-10	10
	12	11	14	22	36.5	5.8	-	28.3	23.3	21	33	186322	QS-V0-G3/8-12	1
G1/2	10	9	12	19	31.3	6.8	-	25.9	20	24	43	186323	QS-V0-G1/2-10	1
	12	11	14	22	33	6.8	-	28.3	23.3	24	40	186324	QS-V0-G1/2-12	1

1) Pack size

Datasheet

Push-in connector QS-V0



Dimensions and ordering data

Pneumatic connection	Nominal width	Dimensions [mm]		Weight/ piece	Part no.	Type	Pcs. ¹⁾
For tubing O.D.		D5 ∅	L1				
D1	[mm]			[g]			
4	2.8	12	41	6.1	132890	QS-V0-4	1
6	4.3	14	45.1	7.8	160546	QS-V0-6	10
8	7	16	48.2	11	160547	QS-V0-8	10
10	9	19	51.8	17	160548	QS-V0-10	10
12	11	22.2	57.8	25	160549	QS-V0-12	1

1) Pack size

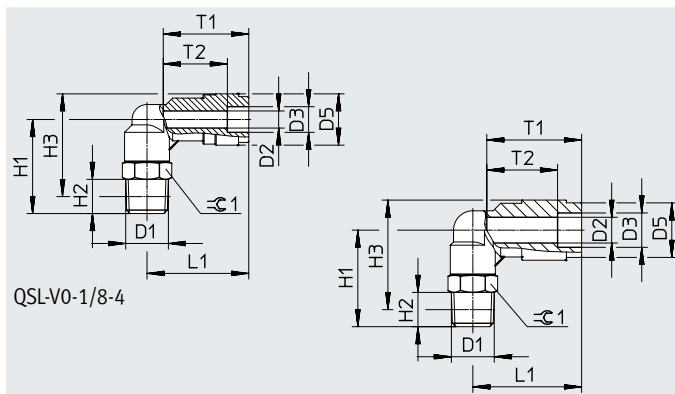
Datasheet

Push-in L-fitting QSL-V0

Male thread with external hex



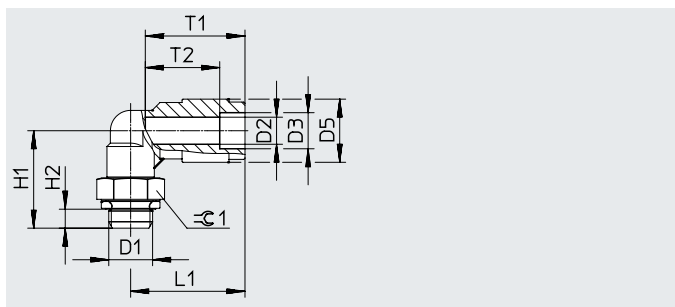
R thread



QSL-V0-1/8-4



G thread



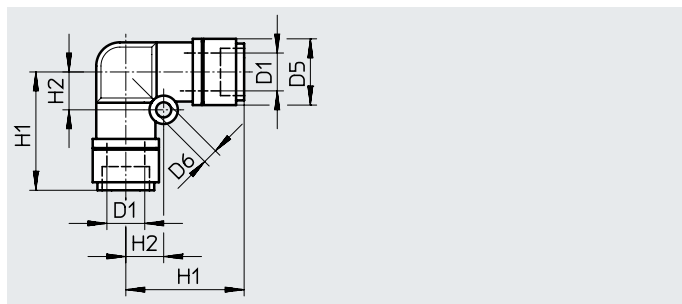
Dimensions and ordering data

Pneumatic connection		Nominal width	Dimensions [mm]									Weight/ piece	Part no.	Type	Pcs. ¹⁾
Male thread	For tubing O.D.		D3 ∅	D5 ∅	H1	H2	H3	L1	T1	T2	⊕ 1				
D1	D2	[mm]										[g]			
R thread															
R1/8	4	2.8	6	12	22	8	24	23.8	20	15	10	11	132891	QSL-V0-1/8-4	1
	6	4.2	8	14	22.5	8	25.5	25.4	22.1	16.5	10	12	160511	QSL-V0-1/8-6	10
	8	6	10	16	24	8	28	27.9	23.3	17.4	12	15	160512	QSL-V0-1/8-8	10
R1/4	6	4.3	8	14	28	11	29	28.9	22.1	16.5	14	20	160513	QSL-V0-1/4-6	10
	8	6.7	10	16	28	11	30	28.9	23.3	17.4	14	21	160514	QSL-V0-1/4-8	10
	10	8	12	19	28.5	11	32	31.2	25.4	19.5	14	25	160515	QSL-V0-1/4-10	10
	12	8	14	22.2	29.8	11	34.8	34	28.4	23.4	14	29	160516	QSL-V0-1/4-12	1
R3/8	8	6.7	10	16	31	12	32.7	29.9	23.3	17.4	17	32	160517	QSL-V0-3/8-8	10
	10	8.3	12	19	32	12	35.2	32.2	25.4	19.5	17	36	160518	QSL-V0-3/8-10	10
	12	10	14	22.2	32.5	12	37.3	34.7	28.4	23.4	17	40	160519	QSL-V0-3/8-12	1
R1/2	10	8.3	12	19	36	15	37.3	32.7	25.4	19.5	21	59	160520	QSL-V0-1/2-10	1
	12	10.3	14	22.2	36.5	15	39.4	35.7	28.4	23.4	21	64	160521	QSL-V0-1/2-12	1
G thread with sealing ring															
G1/8	6	4.2	8	14	21.6	4.2	-	25.4	22.1	16.5	13	15	186325	QSL-V0-G1/8-6	10
	8	6	10	16	22.1	4.2	-	27.9	23.3	17.4	13	16	186326	QSL-V0-G1/8-8	10
G1/4	6	4.3	8	14	24.7	4.8	-	26.9	22.1	16.5	17	23	186327	QSL-V0-G1/4-6	10
	8	6.7	10	16	24.7	4.8	-	28.9	23.3	17.4	17	25	186328	QSL-V0-G1/4-8	10
	10	8	12	19	25.2	4.8	-	31.2	25.4	19.5	17	29	186329	QSL-V0-G1/4-10	10
	12	8	14	22.2	26.5	4.8	-	34	28.4	23.4	17	33	186330	QSL-V0-G1/4-12	1
G3/8	8	6.7	10	16	27.2	5.8	-	29.9	23.3	17.4	19	33	186331	QSL-V0-G3/8-8	10
	10	8.3	12	19	28.2	5.8	-	32.2	25.4	19.5	19	37	186332	QSL-V0-G3/8-10	10
	12	10	14	22.2	28.7	5.8	-	34.7	28.4	23.4	19	41	186333	QSL-V0-G3/8-12	1
G1/2	10	8.3	12	19	31.7	6.8	-	32.7	25.4	19.5	24	65	186334	QSL-V0-G1/2-10	1
	12	10.3	14	22.2	32.2	6.8	-	35.7	28.4	23.4	24	69	186335	QSL-V0-G1/2-12	1

1) Pack size

Datasheet

Push-in L-connector QSL-V0



Dimensions and ordering data

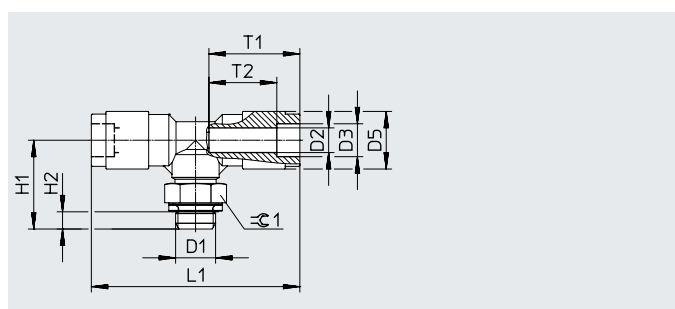
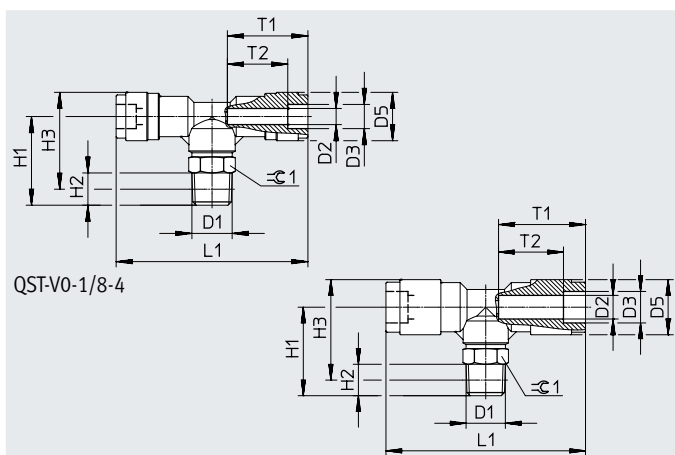
Pneumatic connection	Nominal width	Dimensions [mm]				Weight/ piece	Part no.	Type	Pcs. ¹⁾
For tubing O.D.		D5 ∅	D6 ∅	H1	H2				
D1	[mm]					[g]			
4	2.8	12	3.2	22	6.5	6.5	132893	QSL-V0-4	1
6	5	14	3.2	25.2	8	8.6	160540	QSL-V0-6	10
8	7.2	16	4.2	27.6	10	13	160541	QSL-V0-8	10
10	8.3	19	4.2	31.4	12	19	160542	QSL-V0-10	10
12	10	22.2	4.2	34.4	14	28	160543	QSL-V0-12	1

1) Pack size

Datasheet

Push-in T-fitting QST-V0

Male thread with external hex



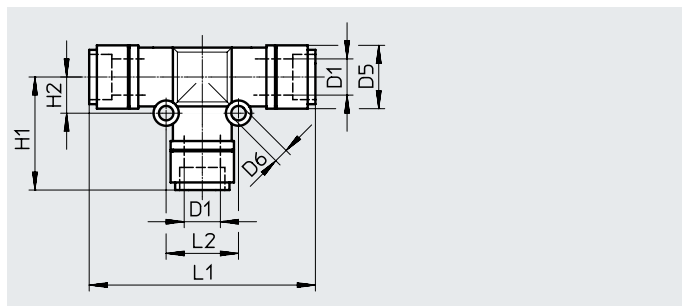
Dimensions and ordering data

Pneumatic connection		Nominal width	Dimensions [mm]									Weight/ piece	Part no.	Type	Pcs. ¹⁾
Male thread	For tubing O.D.		D3	D5	H1	H2	H3	L1	T1	T2	±0.1				
D1	D2	[mm]	∅	∅								[g]			
R thread															
R1/8	4	2.8	6	12	22	8	24	47.6	20	15	10	14	132894	QST-V0-1/8-4	1
	6	4.2	8	14	22.5	8	25.5	50.7	22.1	16.5	10	16	160522	QST-V0-1/8-6	10
	8	6	10	16	24	8	28	55.8	23.3	17.4	12	20	160523	QST-V0-1/8-8	10
R1/4	6	4.3	8	14	28	11	29	53.7	22.1	16.5	14	24	160524	QST-V0-1/4-6	10
	8	6.7	10	16	28	11	30	57.8	23.3	17.4	14	26	160525	QST-V0-1/4-8	10
	10	8	12	19	28.5	11	32	62.4	25.4	19.5	14	33	160526	QST-V0-1/4-10	10
	12	8	14	22.2	29.8	11	34.8	67.9	28.4	23.4	14	42	160527	QST-V0-1/4-12	1
R3/8	8	6.7	10	16	31	12	32.7	59.8	23.3	17.4	17	37	160528	QST-V0-3/8-8	10
	10	8.3	12	19	32	12	35.2	64.4	25.4	19.5	17	44	160529	QST-V0-3/8-10	10
	12	10	14	22.2	32.5	12	37.3	69.4	28.4	23.4	17	53	160530	QST-V0-3/8-12	1
R1/2	10	8.3	12	19	36	15	37.3	65.4	25.4	19.5	21	68	160531	QST-V0-1/2-10	1
	12	10.3	14	22.2	36.5	15	39.4	71.4	28.4	23.4	21	77	160532	QST-V0-1/2-12	1
G thread with sealing ring															
G1/8	6	4.2	8	14	21.6	4.2	-	50.8	22.1	16.5	13	19	186336	QST-V0-G1/8-6	10
	8	6	10	16	22.1	4.2	-	55.8	23.3	17.4	13	21	186337	QST-V0-G1/8-8	10
G1/4	6	4.3	8	14	24.7	4.8	-	53.8	22.1	16.5	17	28	186338	QST-V0-G1/4-6	10
	8	6.7	10	16	24.7	4.8	-	57.8	23.3	17.4	17	30	186339	QST-V0-G1/4-8	10
	10	8	12	19	25.2	4.8	-	62.4	25.4	19.5	17	37	186340	QST-V0-G1/4-10	10
	12	8	14	22.2	26.5	4.8	-	67.9	28.4	23.4	17	46	186341	QST-V0-G1/4-12	1
G3/8	8	6.7	10	16	27.2	5.8	-	59.8	23.3	17.4	19	39	186342	QST-V0-G3/8-8	10
	10	8.3	12	19	28.2	5.8	-	64.4	25.4	19.5	19	46	186343	QST-V0-G3/8-10	10
	12	10	14	22.2	28.7	5.8	-	69.4	28.4	23.4	19	54	186344	QST-V0-G3/8-12	1
G1/2	10	8.3	12	19	31.7	6.8	-	65.4	25.4	19.5	24	73	186345	QST-V0-G1/2-10	1
	12	10.3	14	22.2	32.2	6.8	-	71.4	28.4	23.4	24	82	186346	QST-V0-G1/2-12	1

1) Pack size

Datasheet

Push-in T-connector QST-V0



Dimensions and ordering data

Pneumatic connection For tubing O.D.	Nominal width [mm]	Dimensions [mm]						Weight/ piece [g]	Part no.	Type	Pcs. ¹⁾
		D5 ∅	D6 ∅	H1	H2	L1	L2				
D1											
4	2.8	12	3.2	22.3	6.5	44.6	13	9.6	132896	QST-V0-4	1
6	4.8	14	3.2	25.15	8	50.3	16	14	160533	QST-V0-6	10
8	6.2	16	3.2	27.4	9	54.8	18	18	160534	QST-V0-8	10
10	8.1	19	4.2	30.4	12	60.8	24	27	160535	QST-V0-10	10
12	10	22.2	4.2	33.2	14	66.8	28	40	160536	QST-V0-12	1

1) Pack size

Accessories

Release tool QSO

Release tool for disconnecting tubing from the plug-in connection in locations that are difficult to access.



Dimensions and ordering data

For tubing O.D.	Weight/ piece [g]	Part no.	Type
4, 6, 8, 10	13	158419	QSO