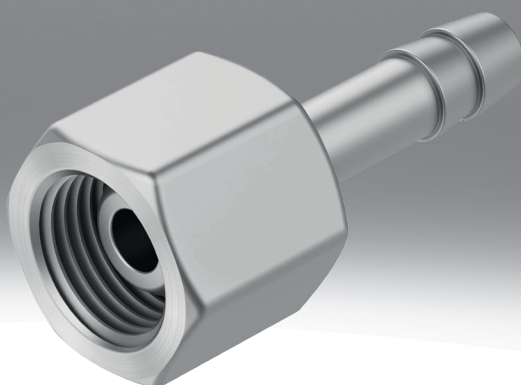


Barbed hose fitting C-P, N-P

FESTO



Datasheet

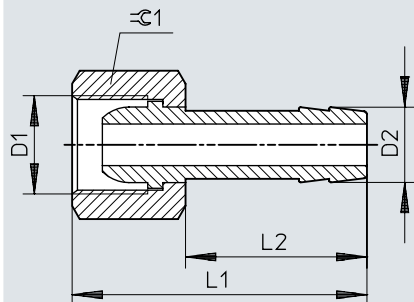
Technical data – Barbed hose fitting C-...-P				
Pneumatic connection, port 1	Female thread G1/8	Female thread G1/4	Female thread G3/8	Female thread G1/2
Pneumatic connection, port 2	For tubing outside diameter of 8 mm	For tubing outside diameter of 8 mm For tubing inside diameter of 9 mm		For tubing inside diameter of 13 mm
Nominal size	4 mm	4.5 ... 5.5 mm	4.5 ... 6.5 mm	11 mm
Operating medium	Compressed air to ISO 8573-1:2010 [7:-:-]			
Note on operating and pilot medium	Lubricated operation possible (in which case lubricated operation will always be required)			
LABS (PWIS) conformity	VDMA24364-B1/B2-L			

Technical data – Barbed hose fitting N-...-P								
Pneumatic connection, port 1	Male thread G1/8	Male thread G1/4	Male thread G3/8	Male thread G1/2	Male thread G3/4	Male thread R1	Male thread 3/4 NPT	Male thread 1 NPT
Pneumatic connection, port 2	For tubing I.D. 6 mm	For tubing I.D. 6 mm For tubing inside diameter of 9 mm	For tubing I.D. 6 mm For tubing inside diameter of 9 mm For tubing inside diameter of 13 mm	For tubing inside diameter of 9 mm For tubing inside diameter of 13 mm	For tubing inside diameter of 13 mm For tubing I.D. 19 mm	For tubing I.D. 19 mm		
Design	Straight design							
Mounting position	optional							
Type of seal on screwed plug	Sealing ring					Coating		
Operating pressure complete temperature range	-0.95 ... 16 bar							
Operating medium	Compressed air to ISO 8573-1:2010 [7:-:-]							
Ambient temperature	-10 ... 60°C							
Note on operating and pilot medium	Lubricated operation possible (in which case lubricated operation will always be required)							
Corrosion resistance class CRC	2 - Moderate corrosion stress							
Material housing	Anodised aluminium							
Note on materials	RoHS-compliant							
LABS (PWIS) conformity	VDMA24364-B1/B2-L							

Technical data – Barbed hose fitting N-...-P-...-MS					
Pneumatic connection, port 1	Male thread G1/8	Male thread G1/4	Male thread G3/8	Male thread G1/2	Male thread G3/4
Pneumatic connection, port 2	For tubing I.D. 6 mm	For tubing I.D. 6 mm For tubing inside diameter of 9 mm	For tubing I.D. 6 mm For tubing inside diameter of 9 mm For tubing inside diameter of 13 mm	For tubing inside diameter of 9 mm For tubing inside diameter of 13 mm	For tubing inside diameter of 13 mm For tubing I.D. 19 mm
Design	Straight design				
Mounting position	optional				
Type of seal on screwed plug	Sealing ring				
Operating pressure complete temperature range	-0.95 ... 16 bar				
Operating medium	Compressed air to ISO 8573-1:2010 [7:-:-]				
Ambient temperature	-10 ... 60°C				
Note on operating and pilot medium	Lubricated operation possible (in which case lubricated operation will always be required)				
Corrosion resistance class CRC	1 - Low corrosion stress				
Material housing	Brass				
Note on materials	RoHS-compliant				
LABS (PWIS) conformity	VDMA24364-B1/B2-L				

Dimensions

Dimensions – Barbed hose fitting C-...-P

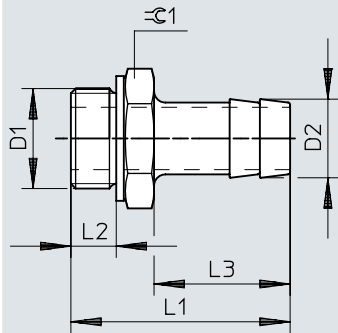
Download CAD data → www.festo.com

	D1	D2	L1	L2	ϕ1
C-1/8-P-6	G1/8	7	36	24	13
C-1/4-P-6	G1/4	7	39	24	17
C-1/4-P-9		10	39	24	17
C-3/8-P-6	G3/8	7	39	24	19
C-3/8-P-9		10	39	24	19
C-1/2-P-13	G1/2	14,8	50	30	24

Dimensions

Dimensions – Barbed hose fitting N-...-P

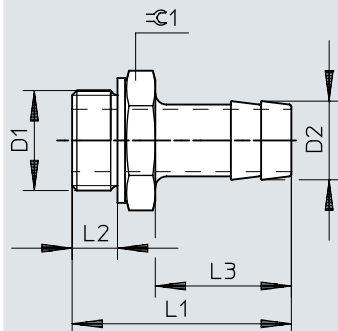
Download CAD data → www.festo.com



	D1	D2	L1	L2	L3	≡C
N-1/8-P-6	G1/8	7	34,7	4,9	24,2	13
N-1/4-P-6	G1/4	7	37,1	5,8	24,1	17
N-1/4-P-9		10	37,1	5,8	24,1	17
N-3/8-P-6	G3/8	7	38,1	6,8	24,1	19
N-3/8-P-9		10	38,1	6,8	24,1	19
N-3/8-P-13		14,8	45,4	6,8	30	19
N-1/2-P-9	G1/2	10,3	39,5	8,15	24	24
N-1/2-P-13		14,8	45,5	8,15	30	24
N-3/4-P-13	G3/4	14,8	50	9,05	30	32
N-3/4-P-19		20,8	56	9,05	36	32
N-1-P-19	R1	20,8	68,6	–	36	34
N-3/4-P-19-NPT	3/4 NPT	20,8	66,68	–	36	30,17
N-1-P-19-NPT	1 1/2 NPT	20,8	74,0	–	36	34


Dimensions


Dimensions – Barbed hose fitting N-...-P-...-MS


Download CAD data → www.festo.com

	D1	D2	L1	L2	L3	≡
N-1/8-P-6-MS	G1/8	7	34,7	4,9	24,2	13
N-1/4-P-6-MS	G1/4	7	37,1	5,8	24,1	17
N-1/4-P-9-MS		10	37,1	5,8	24,1	17
N-3/8-P-6-MS	G3/8	7	38,1	6,8	24,1	19
N-3/8-P-9-MS		10	38,1	6,8	24,1	19
N-3/8-P-13-MS		14,8	45,4	6,8	30	19
N-1/2-P-9-MS	G1/2	10,3	39,5	8,15	24	24
N-1/2-P-13-MS		14,8	45,5	8,15	30	24
N-3/4-P-13-MS	G3/4	14,8	50	9,05	30	32
N-3/4-P-19-MS		20,8	56	9,05	36	32


Ordering data

Ordering data – Barbed hose fitting C-...-P (Brass)					
	Pneumatic connection, port 1	Pneumatic connection, port 2	Nominal size	Part no.	Type
	Female thread G1/8	For tubing outside diameter of 8 mm	4 mm	2021	C-1/8-P-6
	Female thread G1/4		4.5 mm	2022	C-1/4-P-6
	Female thread G3/8	For tubing inside diameter of 9 mm	5.5 mm	2023	C-1/4-P-9
			For tubing outside diameter of 8 mm	4.5 mm	2024
	Female thread G1/2	For tubing inside diameter of 9 mm	6.5 mm	2025	C-3/8-P-9
			For tubing inside diameter of 13 mm	11 mm	2026

Ordering data – Barbed hose fitting N-...-P (Anodised aluminium)								
	Pneumatic connection, port 1	Pneumatic connection, port 2	Nominal size	Product weight	Part no.	Type		
	Male thread G1/8	For tubing I.D. 6 mm	4.5 mm	3.33 g	3605	N-1/8-P-6		
	Male thread G1/4			6.3 g	3606	N-1/4-P-6		
	Male thread G3/8	For tubing inside diameter of 9 mm	6.5 mm	7.14 g	3607	N-1/4-P-9		
				For tubing I.D. 6 mm	4.5 mm	9 g	3608	N-3/8-P-6
				For tubing inside diameter of 9 mm	7.6 mm	8.77 g	3609	N-3/8-P-9
	Male thread G1/2	For tubing inside diameter of 13 mm	11 mm	178 g	36160	N-3/8-P-13		
				For tubing inside diameter of 9 mm	8 mm	15.1 g	3610	N-1/2-P-9
	Male thread G3/4	For tubing inside diameter of 13 mm	11 mm	15 g	3611	N-1/2-P-13		
				31.75 g	3612	N-3/4-P-13		
	Male thread R1 NPT	For tubing I.D. 19 mm	16.5 mm	33.61 g	3613	N-3/4-P-19		
				67.6 g	572260	N-1-P-19		
				44 g	564848	N-3/4-P-19-NPT		
	Male thread 1 NPT			76.6 g	572243	N-1-P-19-NPT		

Ordering data – Barbed hose fitting N-...-P-...-MS (Brass)								
	Pneumatic connection, port 1	Pneumatic connection, port 2	Nominal size	Product weight	Part no.	Type		
	Male thread G1/8	For tubing I.D. 6 mm	4.5 mm	9 g	15630	N-1/8-P-6-MS		
	Male thread G1/4			18 g	15631	N-1/4-P-6-MS		
	Male thread G3/8	For tubing inside diameter of 9 mm	6.5 mm	20 g	15632	N-1/4-P-9-MS		
				For tubing I.D. 6 mm	4.5 mm	26 g	15633	N-3/8-P-6-MS
				For tubing inside diameter of 9 mm	7.6 mm	25 g	15634	N-3/8-P-9-MS
		For tubing inside diameter of 13 mm	11 mm	243 g	36161	N-3/8-P-13-MS		

Ordering data

Ordering data – Barbed hose fitting N-...-P-...-MS (Brass)						
	Pneumatic connection, port 1	Pneumatic connection, port 2	Nominal size	Product weight	Part no.	Type
	Male thread G1/2	For tubing inside diameter of 9 mm	8 mm	44 g	15635	N-1/2-P-9-MS
		For tubing inside diameter of 13 mm	11 mm	45 g	15636	N-1/2-P-13-MS
	Male thread G3/4	For tubing inside diameter of 13 mm		94 g	15637	N-3/4-P-13-MS
		For tubing I.D. 19 mm	16.5 mm	96 g	15638	N-3/4-P-19-MS