
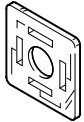
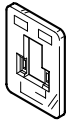
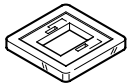



## Illuminating seals, square design

**FESTO**



Product range overview

Function	Design	Type	For plug socket	For plug socket with cable	For solenoid coil (valves with solenoid coil)	→ Page/ Internet
Illuminating seal		MF-LD	MSSD-F	KMF	<b>For F solenoid coil</b> Tiger 2000 Solenoid valves to ISO 5599-1 (VSVA) Solenoid valves to ISO 5599-1 Solenoid coils MSF Tiger Classic	3
		MC-LD	MSSD-C	KMC	<b>For D solenoid coil, N1 solenoid coil</b> MS-START-UP exhaust valves (on/off valves MS) Solenoid valves to ISO 5599-1 (VSVA) Solenoid valves to ISO 5599-1 Solenoid coils MSN1 Solenoid valves MN1H-MS, brass design	3
		MV-LD-12-24DC	MSSD-V	KMV	<b>For V solenoid coil</b> Tiger 2000	3
		ME-LD-12-24DC	MSSD-E	KME	<b>For E solenoid coil</b> Solenoid valves MEH/MEBH, midi pneumatic	3
		MEB-LD	MSSD-EB	KMEB	<b>For EB solenoid coil, N2 solenoid coil</b> MS-START-UP exhaust valves (on/off valves MS)	3

## Datasheet

### Illuminating seal

MF-LD

MC-LD

MV-LD

ME-LD

MEB-LD

Illuminating seals are mounted between the plug socket and solenoid coil. The sealing rim faces the coil side, while the marking faces the device plug socket. The seal is illuminated yellow when the power is switched on.



### General technical data

Operating voltage		12 ... 24 V DC	230 V AC
Operating voltage range	[V DC]	12 ... 24	–
Nominal operating voltage	[V AC]	–	230±10%
Protective circuit, max. switch-off voltage	[V DC]	Yes, 50	–
Pollution degree		–	3
Switching position indication		LED (yellow)	LED (yellow)
Rated output of illuminating seal	[mW]	50	330
Surge capacity	MF-LD	[kV]	–
	MC-LD	[kV]	–
	MEB-LD	[kV]	–
Electrical connection	ME-LD		Type C, square design MSE
	MF-LD		Type B, square design MSF
	MC-LD		To DIN EN 175301-803, type A, square design MSC
	MV-LD		To DIN EN 175301-803, type B, square design MSV
	MEB-LD		To DIN EN 175301-803, type C, square design MSEB
Protective earth connection		Available	
Type of mounting	MF-LD		On solenoid valve with M3 central screw
	MC-LD		On solenoid valve with M3 central screw
	MV-LD		On solenoid valve with M3 central screw
	ME-LD		On solenoid valve with M3 central screw
	MEB-LD		On solenoid valve with M2.5 central screw
Degree of protection to EN 60529		IP65 (when mounted)	

### Operating and environmental conditions

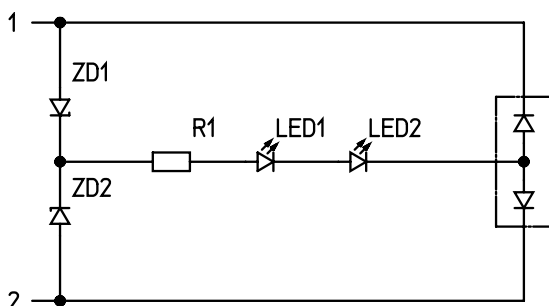
Operating voltage		12 ... 24 V DC	230 V AC
Ambient temperature	[°C]	–25 ... +85	–25 ... +85
CE marking (see declaration of conformity)		–	To EU Low Voltage Directive
UKCA marking (see declaration of conformity)		–	To UK regulations for electrical equipment

### Materials

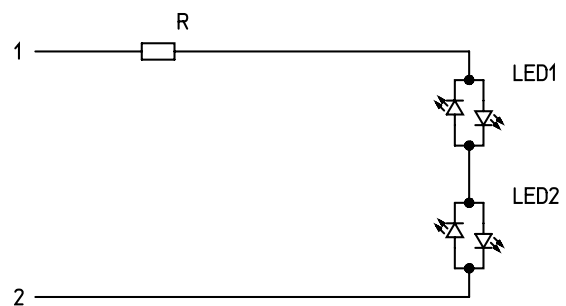
Housing materials		TPE-U (PU)
Colour		Transparent
LABS (PWIS) conformity		VDMA24364-B2-L

### Circuit diagram

12 ... 24 V DC

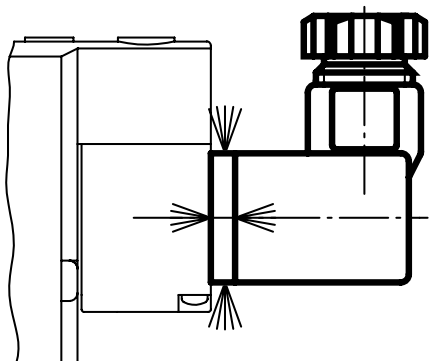


230 V AC





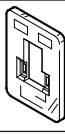
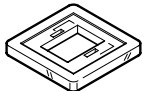
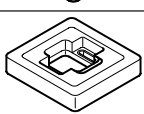
## Ordering data

### Fitting the illuminating seal



- The existing seal must be removed before fitting the illuminating seal.
- The sealing surface of the illuminating seal must point towards the plug socket, and the sealing rim towards the solenoid coil.
- The illuminating seal is intended for one-off installation.
- Reusing illuminating seals can impair their function.

### Ordering data

	Illuminating seal for	Electrical connection to EN 175301-803	Product weight [g]	Max. tightening torque [Nm]	Operating voltage [V]	Part no.	Type
	F solenoid coils	—	1.6	0.6	12 ... 24 DC	<b>19143</b>	<b>MF-LD-12-24DC</b>
					230 AC	<b>19144</b>	<b>MF-LD-230AC</b>
	D and N1 solenoid coils	■	1.6	0.6	12 ... 24 DC	<b>19145</b>	<b>MC-LD-12-24DC</b>
					230 AC	<b>19146</b>	<b>MC-LD-230AC</b>
	V solenoid coils	■	1.6	0.35	12 ... 24 DC	<b>35558</b>	<b>MV-LD-12-24DC</b>
	E solenoid coils	—	0.6	0.35	12 ... 24 DC	<b>19141</b>	<b>ME-LD-12-24DC</b>
	EB solenoid coils	■	0.6	0.5	12 ... 24 DC	<b>151717</b>	<b>MEB-LD-12-24DC</b>
					230 AC	<b>151718</b>	<b>MEB-LD-230AC</b>

# Festo - Your Partner in Automation



**1 Festo Inc.**  
5300 Explorer Drive  
Mississauga, ON L4W 5G4  
Canada

**Festo Customer Interaction Center**  
Tel: 1 877 463 3786  
Fax: 1 877 393 3786  
Email: [customer.service.ca@festo.com](mailto:customer.service.ca@festo.com)

**2 Festo Pneumatic**  
Av. Ceylán 3,  
Col. Tequesquináhuac  
54020 Tlalnepantla,  
Estado de México

**Multinational Contact Center**  
01 800 337 8669  
[ventas.mexico@festo.com](mailto:ventas.mexico@festo.com)

**3 Festo Corporation**  
1377 Motor Parkway  
Suite 310  
Islandia, NY 11749

**Festo Customer Interaction Center**  
1 800 993 3786  
1 800 963 3786  
[customer.service.us@festo.com](mailto:customer.service.us@festo.com)

**4 Regional Service Center**  
7777 Columbia Road  
Mason, OH 45040

Connect with us



[www.festo.com/socialmedia](http://www.festo.com/socialmedia)



[www.festo.com](http://www.festo.com)

Subject to change