

Push-in fittings CRQS, stainless steel



Push-in fittings CRQS, stainless steel

Features

Application



Effortless selection of the right fitting. Festo offers a secure solution for every connection. The convenient push-in fitting system includes well over 1000 types of standard and function fittings.

| Summary of tubing/fitting combinations | | | |
|--|---------|------------|---|
| Applications | Fitting | Tubing | Description |
| Standard | QS | PEN | Suitable for a wide range of tasks and attractively priced. Flexible thanks to high levels of resistance, easy to install thanks to optimised bending radii. High level of abrasion resistance in dynamic applications. |
| | QS | PUN | Maximum flexibility in standard applications thanks to an extremely wide range of options for combining the different types. |
| | QS | PAN | Meets all requirements, even for standard applications with increased pressure and temperature ranges. |
| High pressures | NPQM | PAN-MF | Meets DIN standard 73378: ideal for use in mobile pneumatics. Suitable for increased temperature ranges combined with high pressure ranges. |
| | NPQH | PAN-R | Powerful in pressure ranges up to 20 bar, for example in applications with the pressure booster DPA. |
| Resistant to chemicals, food safe and hydrolysis resistant | NPQP | PLN | Resistant to cleaning agents, FDA compliant and economical. Can be used instead of the combination with stainless steel fittings. |
| | NPKA | PUN-H | Hydrolysis resistant and suitable for water applications. Combination suitable for use in clean rooms, FDA compliant and corrosion resistant as it is made of 100% polymer. Very easy to install thanks to the "one click principle". |
| | NPQH | PFAN/PTFEN | For high temperatures up to 150 °C. Food safe, FDA compliant and resistant to cleaning agents. |
| | NPCK | PFAN/PTFEN | Easy to clean thanks to the union nut's edge-free design. Maximum resistance to corrosion (CRC 4) and FDA compliant. Suitable for a wide range of media. |
| | CRQS | PFAN/PTFEN | Maximum resistance to corrosion (CRC 4) and to aggressive acids and alkalis. |
| Resistant to chemicals and hydrolysis resistant | NPQR | PFAN/PTFEN | Optimised design, reduction in edges where dirt can collect – all at an attractive price. For high temperatures up to 150 °C. Pressure range up to 16 bar. Highest level of corrosion resistance (CRC 4). |
| Antistatic | NPQM | PUN-CM | Antistatic tubing plus solid metal fitting: maximum protection for electric and electronic components. |
| Flame retardant | NPQM | PUN-V0 | Very safe in areas where there is a risk of fire thanks to flame-retardant properties. The tubing has been tested to DIN 5510-2. |
| Resistant to welding spatter | NPQH | PUN-V0-C | Ideal for applications involving welding spatter. Reliable thanks to a tubing wall thickness of 2 mm for all diameters. |
| | QS-V0 | PAN-V0 | Safe even in the close vicinity of welding spatter thanks to the double-walled tubing with special fitting. |

Push-in fittings CRQS, stainless steel

Features

Push-in fittings product range

QSM, mini series



Technical data → Internet: qsm

Miniature push-in fittings for maximum component density in confined spaces. For pneumatic applications with a temperature range up to 80 °C and a pressure range up to 14 bar. Tubing outside diameters of 2, 3, 4 and 6 mm with connecting threads M3, M5, M6, M7, R $\frac{1}{8}$ and G $\frac{1}{8}$.

QS, standard series



Technical data → Internet: qs

Wide selection of push-in fittings for pneumatic applications with a temperature range up to 80 °C and a pressure range up to 14 bar. Tubing outside diameters of 4, 6, 8, 10, 12, 16 and 22 mm with connecting threads R $\frac{1}{8}$... R $\frac{1}{2}$ and G $\frac{1}{8}$... G $\frac{3}{4}$.

CRQS, stainless steel



Technical data → Internet: crqs

Stainless steel push-in fitting. High corrosion resistance CRC 4 and chemical resistance with approval for use in the food and packaging industry. For pneumatic applications with a temperature range up to 120 °C and a pressure range up to 10 bar. Tubing outside diameters of 4, 6, 8, 10, 12 and 16 mm with connecting threads M5 and R $\frac{1}{8}$... R $\frac{1}{2}$.

QS-V0, resistant to welding spatter



Technical data → Internet: qs-v0

Flame-retardant push-in fitting for use in all areas where there is a risk of fire, for example welding systems in the automotive industry and in the construction industry. For pneumatic applications with a temperature range up to 60 °C and a pressure range up to 10 bar. Tubing outside diameters of 4, 6, 8, 10 and 12 mm with connecting threads R $\frac{1}{8}$... R $\frac{1}{2}$ and G $\frac{1}{8}$... G $\frac{1}{2}$.

NPQH



Technical data → Internet: npqh

Solid metal push-in fitting made of chemically nickel-plated brass. High corrosion resistance CRC 3 and chemical resistance. For pneumatic applications with a temperature range up to 150 °C and a pressure range up to 20 bar. Tubing outside diameters of 4, 6, 8, 10, 12 and 14 mm with connecting threads M5, M7 and G $\frac{1}{8}$... G $\frac{1}{2}$.

NPQM



Technical data → Internet: npqm

Attractively priced metal push-in fitting for pneumatic applications with a temperature range up to 70 °C and a pressure range up to 16 bar. Tubing outside diameters of 3, 4, 6, 8, 10, 12 and 14 mm with connecting threads M5, M7 and G $\frac{1}{8}$... G $\frac{1}{2}$.

NPQP



Technical data → Internet: npqp

Polypropylene fitting for use in applications with extreme influence of media. For pneumatic applications with a temperature range up to 60 °C and a pressure range up to 10 bar. Tubing outside diameters of 4, 6, 8, 10 and 12 mm with connecting threads R $\frac{1}{8}$... R $\frac{1}{2}$.

NPQR, stainless steel



Technical data → Internet: npqr

Stainless steel push-in fitting. Maximum corrosion resistance CRC 4 and chemical resistance. For pneumatic applications with a temperature range up to 150 °C and a pressure range up to 16 bar. Tubing outside diameters of 4, 6, 8, 10 and 12 mm with connecting threads M5, M7 and G $\frac{1}{8}$... G $\frac{1}{2}$.

Push-in fittings CRQS, stainless steel

Features

FESTO

Functional push-in fittings product range

QSK, self-sealing push-in fitting

Technical data → Internet: qsk



Push-in fitting that blocks the air flow after the tubing is disconnected. For pneumatic applications with a temperature range up to 60 °C and a pressure range up to 14 bar. Tubing O.D.∅ of 4, 6, 8, 10 and 12 mm with connecting threads M5, R1/8 ... R1/2 and G1/8 ... G1/2.

QSR, rotary push-in fitting

Technical data → Internet: qsr



Push-in fitting with swivel connection, rotatable by 360°. The ball bearing enables rotating movements in the application up to max. 500 rpm. For pneumatic applications with a temperature range up to 60 °C and a pressure range up to 14 bar. Tubing O.D.∅ of 4, 6, 8, 10 and 12 mm with connecting threads M5, R1/8 ... R1/2 and G1/8 ... G1/2.

Quick connectors product range

NPCK

Technical data → Internet: npck



Stainless steel fitting for use in areas subject to intensive cleaning. Highest level of corrosion resistance (CRC 4). For pneumatic applications with a temperature range up to 120 °C and a pressure range up to 12 bar. Tubing O.D.∅ of 4, 6, 8 and 10 mm with connecting thread M5 and G1/8 ... G3/8.

Click fittings product range

NPKA

Technical data → Internet: npka



Plastic fitting for easy installation with one-hand operation. Hydrolysis resistant, FDA compliant and easy to clean. For pneumatic applications with a temperature range up to 60 °C and a pressure range up to 10 bar. Tubing O.D. 6 mm with connecting thread G1/8.

Push-in fittings CRQS, stainless steel

Features

CRQS, the stainless steel fitting

Highest process reliability in every case

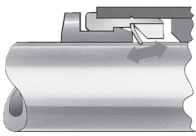
Highest corrosion resistance and maximum robustness: the CRQS stays leak-proof even when subjected to extreme temperature, pressure and resistance.

Unlimited use in the food industry

The push-in fitting CRQS can be used in combination with the plastic tubing PFAN, which is approved for use in the food industry, in all areas of the Food & Packaging industry, e.g. wherever

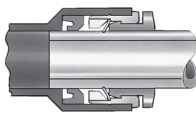
the use of stainless steel is stipulated. Used together, they easily resist all cleaning agents and lubricants and can also be used with highly aggressive acids and lyes.

Simply "plug and work"



The stainless steel retaining claw within the fitting holds the tubing securely without damaging its surface. Vibration and pressure surges are safely absorbed.

Reliably connected



A fluoro elastomer sealing ring guarantees a perfect seal between the standard tubing and the body of the fitting. Standard tubing is suitable for use with compressed air and vacuum.

Orientable



The fitting can be aligned after assembly.

Tube assembly/disassembly

Mounting

The prerequisite for ensuring that the inside seal [3] is securely held and protected against damage is that the tube be cut to straight lengths and deburred.

- 1) Pull out releasing ring [1].
- 2) Insert tubing until the end stop [2].

It is important to ensure that the

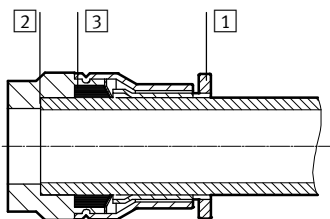
tubing is inserted into the inside seal [3]. Depending on the tolerance position of the tubing and the seal, the contact of the tubing with the seal may be wrongly interpreted as the end stop.

- 3) Check that the tubing connector is securely held by pulling gently on the tube.

Dismantling

- 1) The tubing can be detached easily by pressing down and holding the releasing ring [1]. Remove the tubing carefully from the threaded connector.

- 2) Before re-using the tubing, remove the damaged part by cutting it off.



Push-in fittings CRQS, stainless steel

Features

Which fitting fits which thread?

Metric thread

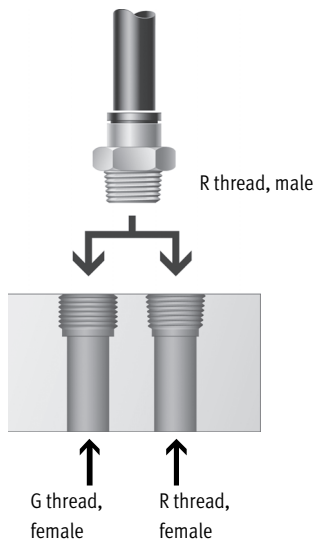
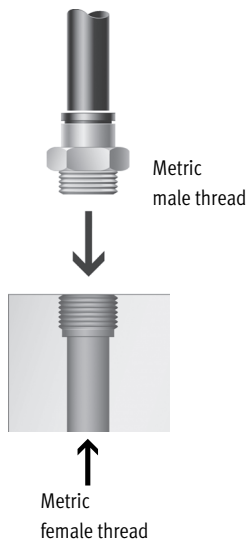
- Shorter thread
- Constant installation depth
- Replaceable sealing ring
- Sealing on front face
- Can be re-used a number of times thanks to replaceable sealing ring
- Sealing is guaranteed as the O-ring sits in a groove that seals against the tube

R thread to EN 10226-1 and ISO 7/1

- Self-sealing thread
- No additional sealing surface required
- Smaller installation dimensions since there is no need for an offset for the sealing surface
- Can be reused up to 5 times

 Note

An appropriate sealing material is required to seal the push-in fitting CRQS with R thread.



Push-in fittings CRQS, stainless steel

Technical data

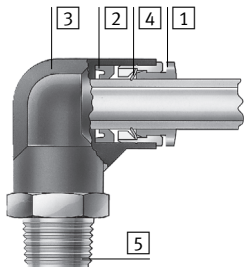
| General technical data | |
|-------------------------------|-----------------------------------|
| Size | Standard |
| Design | Push-pull principle |
| Mounting position | Any |
| Type of seal on threaded plug | Sealing ring (metric thread only) |
| Usable lines | PFAN |

| Operating and environmental conditions | |
|--|--|
| Operating pressure [bar] | -0.95 ... +10 |
| complete temperature range | |
| Operating medium | Compressed air in accordance with ISO 8573-1:2010 [7:-:-] Water as per manufacturer's declaration ²⁾ |
| Note on operating/pilot medium | Operation with lubricated medium possible |
| Ambient temperature [°C] | -15 ... +120 |
| Corrosion resistance class CRC ¹⁾ | 4 |
| Food-safe | See supplementary material information ²⁾ |
| Maritime classification | See certificate ²⁾ |

- 1) Corrosion resistance class CRC 4 to Festo standard FN 940070
Particularly high corrosion stress. Outdoor exposure under extreme corrosive conditions. Parts exposed to aggressive media, for instance in the chemical or food industries. These applications may need to be supported by special tests (→ also FN 940082) using appropriate media.
- 2) Additional information www.festo.com/sp → Certificates.

Materials

Sectional view

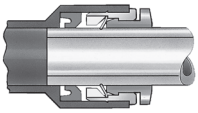


| Push-in fitting CRQS | | |
|----------------------|--|----------------------------|
| 1 | Releasing ring | High-alloy stainless steel |
| 2 | Tubing seal | FPM |
| 3 | Housing | High-alloy stainless steel |
| 4 | Tube retaining claw | High-alloy stainless steel |
| 5 | Threaded coupling | High-alloy stainless steel |
| - | Nut (push-in bulkhead connector CRQS only) | High-alloy stainless steel |
| Note on materials | | RoHS-compliant |

Push-in fittings CRQS, stainless steel

Technical data

Tubing insertion depth



| | | | | | | |
|-----------------------------|----|------|------|------|----|----|
| Tubing O.D. [mm] | 4 | 6 | 8 | 10 | 12 | 16 |
| Tubing insertion depth [mm] | 18 | 19.5 | 21.5 | 25.5 | 27 | 32 |

Recommended tightening torque



When using push-in fittings with internal hex, ensure that the Allen key is not inserted too far into the fitting to prevent the risk of damage to components behind the fitting.

Note
 For sealing of the R-thread a suitable coating is required. This coating replaces the conventional sealing ring. Simply screw in the R-thread by hand and tighten it with 1 or 2 turns of a spanner. The fitting can be reinstalled up to five times. When screwing in R-threads several times, you must make sure that the abraded particles from the sealing material coating cannot enter the compressed air system.

| | |
|-------------------|--------------------------------|
| Connecting thread | Nominal tightening torque [Nm] |
| M thread | |
| M5 | 1.33 ±20% |


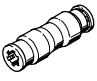




| Thread | Possible push-in fitting/tubing combinations | | | | | |
|-----------------|--|----|----|----|----|----|
| | Tubing O.D. [mm] | | | | | |
| | 4 | 6 | 8 | 10 | 12 | 16 |
| M5 | ++ | + | - | - | - | - |
| R $\frac{1}{8}$ | + | ++ | + | - | - | - |
| R $\frac{1}{4}$ | - | + | ++ | + | - | - |
| R $\frac{3}{8}$ | - | - | - | ++ | + | - |
| R $\frac{1}{2}$ | - | - | - | - | ++ | + |

- + Possible thread/tubing O.D. combinations
- ++ Optimum thread/tubing O.D. combinations (with regard to flow)

Push-in fittings CRQS, stainless steel

Product range overview






| Design | Version | Type | Connection D1 | | | Connection D2 | | → Page/ Internet |
|-----------------|---|------------------|---------------|----------|-----------------|---------------|----------|---------------------|
| | | | M thread | R thread | Tubing O.D. | Tubing O.D. | | |
| Straight design | Push-in fitting – Male thread with internal/external hex | | | | | | | |
| |  | CRQS | M5xQ8 | – | – | – | 4, 6 | 11 |
| | | | | – | R $\frac{1}{8}$ | | 4, 6, 8 | |
| | | | | – | R $\frac{1}{4}$ | | 6, 8, 10 | |
| | | | | – | R $\frac{3}{8}$ | | 10, 12 | |
| | | | | – | R $\frac{1}{2}$ | | 12, 16 | |
| | Push-in connector | | | | | | | |
| |  | CRQS | – | – | – | 4 | 4 | 13 |
| | | | | | | 6 | 6 | |
| | | | | | | 8 | 8 | |
| | | | | | | 10 | 10 | |
| | | | | | | 12 | 12 | |
| |  | CRQS reducing | – | – | – | 6 | 4 | 13 |
| | | | | | | 8 | 6 | |
| 10 | | | | | | 8 | | |
| 12 | | | | | | 10 | | |
| 16 | | | | | | 12 | | |
| Bulkhead | Push-in bulkhead connector | | | | | | | |
| |  | CRQSS | – | – | – | 4 | 4 | 13 |
| | | | | | | 6 | 6 | |
| | | | | | | 8 | 8 | |
| | | | | | | 10 | 10 | |
| | | | | | | 12 | 12 | |
| 16 | | | | | | 16 | | |
| L-shape | Push-in L-fitting, orientable – male thread with external hex | | | | | | | |
| |  | CRQSL | M5xQ8 | – | – | – | 4, 6 | 14 |
| | | | | – | R $\frac{1}{8}$ | | 4, 6, 8 | |
| | | | | – | R $\frac{1}{4}$ | | 6, 8, 10 | |
| | | | | – | R $\frac{3}{8}$ | | 10, 12 | |
| | | | | – | R $\frac{1}{2}$ | | 12, 16 | |
| | Push-in L-connector | | | | | | | |
| |  | CRQSL | – | – | – | 4 | – | 15 |
| | | | | | | 6 | | |
| | | | | | | 8 | | |
| | | | | | | 10 | | |
| 12 | | | | | | | | |
| 16 | | | | | | | | |

Push-in fittings CRQS, stainless steel

Product range overview



| Design | Version | Type | Connection D1 | | | Connection D2 | → Page/ Internet |
|---------|---|-------|---------------|----------|-------------|---------------|---------------------|
| | | | M thread | R thread | Tubing O.D. | Tubing O.D. | |
| T-shape | Push-in T-fitting, orientable – male thread with external hex | | | | | | |
| |  | CRQST | M5x0.8 | – | – | 4, 6 | 16 |
| | | | – | R1/8 | | 6, 8 | |
| | | | – | R1/4 | | 8, 10 | |
| | | | – | R3/8 | | 10, 12 | |
| | | | – | R1/2 | | 12, 16 | |
| | Push-in T-connector | | | | | | |
| |  | CRQST | – | – | 4 | – | 17 |
| | | | | | 6 | | |
| | | | | | 8 | | |
| 10 | | | | | | | |
| 12 | | | | | | | |
| 16 | | | | | | | |
| Y-shape | Push-in Y-connector | | | | | | |
| |  | CRQSY | – | – | 4 | – | 17 |
| | | | | | 6 | | |
| | | | | | 8 | | |
| | | | | | 10 | | |
| | | | | | 12 | | |
| | | | | | 16 | | |

Push-in fittings CRQS, stainless steel

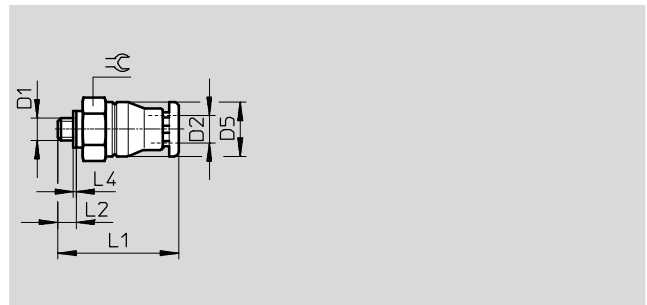
Technical data

Push-in fitting CRQS

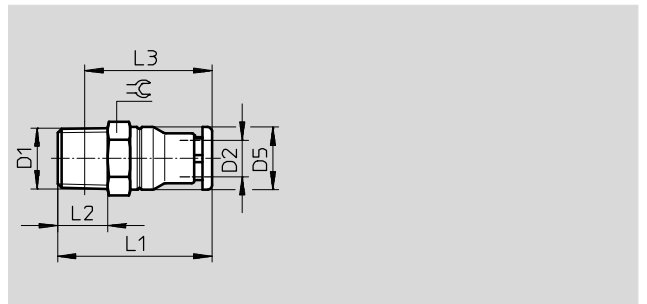
Male thread with external hex



M thread



R thread



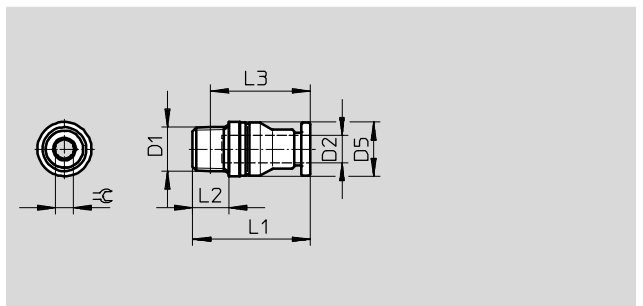
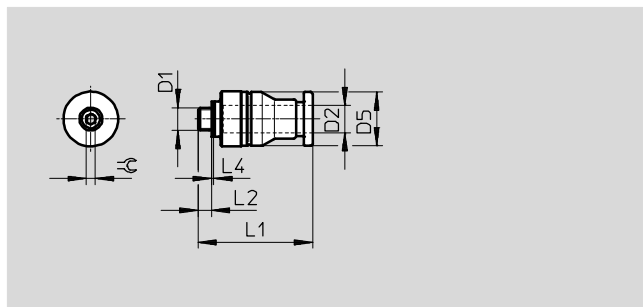
| Dimensions and ordering data | | | | | | | | | | | | | |
|---------------------------------|-----------------|-------------------|-----------------|------|----|------|-----|----|-----|-------------------|-------------|------|------------------|
| Pneumatic connection | | Nominal size [mm] | Dimensions [mm] | | | | | | | Weight/ piece [g] | Part No. | Type | PU ¹⁾ |
| Male thread | For tubing O.D. | | D5 Ø | L1 | L2 | L3 | L4 | ☞ | | | | | |
| D1 | D2 | | | | | | | | | | | | |
| Metric thread with sealing ring | | | | | | | | | | | | | |
| M5x0.8 | 4 | 2 | 9.8 | 24.4 | 3 | - | 0.5 | 10 | 6 | 162860 | CRQS-M5-4 | 1 | |
| | 6 | 2 | 11.8 | 25.6 | 3 | - | 0.5 | 12 | 8.4 | 162861 | CRQS-M5-6 | 1 | |
| R thread | | | | | | | | | | | | | |
| R ¹ / ₈ | 4 | 2.5 | 9.8 | 27.4 | 8 | 23.4 | - | 10 | 8.7 | 132643 | CRQS-1/8-4 | 1 | |
| | 6 | 4.1 | 11.8 | 27.6 | 8 | 23.7 | - | 12 | 9.9 | 162862 | CRQS-1/8-6 | 1 | |
| | 8 | 5.1 | 13.8 | 30.9 | 8 | 27 | - | 14 | 12 | 162863 | CRQS-1/8-8 | 1 | |
| R ¹ / ₄ | 6 | 4.2 | 11.8 | 31.6 | 11 | 25.6 | - | 14 | 18 | 132644 | CRQS-1/4-6 | 1 | |
| | 8 | 5.8 | 13.8 | 33.9 | 11 | 27.9 | - | 14 | 18 | 162864 | CRQS-1/4-8 | 1 | |
| | 10 | 5.9 | 16.8 | 36 | 11 | 30 | - | 17 | 22 | 162865 | CRQS-1/4-10 | 1 | |
| R ³ / ₈ | 10 | 6 | 16.8 | 38 | 12 | 31.7 | - | 17 | 29 | 162866 | CRQS-3/8-10 | 1 | |
| | 12 | 7.6 | 19.8 | 39.9 | 12 | 33.6 | - | 21 | 37 | 162867 | CRQS-3/8-12 | 1 | |
| R ¹ / ₂ | 12 | 8.1 | 19.8 | 42.9 | 15 | 34.7 | - | 22 | 55 | 162868 | CRQS-1/2-12 | 1 | |
| | 16 | 10.1 | 23.7 | 49.7 | 15 | 41.6 | - | 24 | 59 | 162869 | CRQS-1/2-16 | 1 | |

1) Packaging unit

Push-in fittings CRQS, stainless steel

Technical data

Push-in fitting CRQS-...-I
Male thread with internal hex



| Dimensions and ordering data | | | | | | | | | | | | |
|---------------------------------|-----------------|--------------|-----------------|------|----|------|-----|----|---------------|----------|---------------|------------------|
| Pneumatic connection | | Nominal size | Dimensions [mm] | | | | | | Weight/ piece | Part No. | Type | PU ¹⁾ |
| Male thread | For tubing O.D. | | D5 | L1 | L2 | L3 | L4 | ⊕ | | | | |
| D1 | D2 | [mm] | ∅ | | | | | | [g] | | | |
| Metric thread with sealing ring | | | | | | | | | | | | |
| M5 | 4 | 2 | 10 | 22.9 | 3 | - | 0.5 | 2 | 5 | 132328 | CRQS-M5-4-I | 1 |
| | 6 | 2 | 12 | 25.1 | 3 | - | 0.5 | 2 | 7.7 | 132329 | CRQS-M5-6-I | 1 |
| R thread | | | | | | | | | | | | |
| R ¹ / ₈ | 6 | 4.1 | 12 | 26.1 | 8 | 22.2 | - | 4 | 8.4 | 132330 | CRQS-1/8-6-I | 1 |
| | 8 | 5.1 | 14 | 30.4 | 8 | 26.5 | - | 5 | 12 | 132331 | CRQS-1/8-8-I | 1 |
| R ¹ / ₄ | 8 | 5.8 | 14 | 31.4 | 11 | 25.4 | - | 6 | 15 | 132332 | CRQS-1/4-8-I | 1 |
| | 10 | 5.9 | 17 | 36 | 11 | 30 | - | 6 | 21 | 132333 | CRQS-1/4-10-I | 1 |
| R ³ / ₈ | 10 | 6 | 17 | 34 | 12 | 27.7 | - | 6 | 24 | 132334 | CRQS-3/8-10-I | 1 |
| | 12 | 7.6 | 20 | 36.4 | 12 | 30.1 | - | 8 | 28 | 132335 | CRQS-3/8-12-I | 1 |
| R ¹ / ₂ | 12 | 8.1 | 22 | 39.4 | 15 | 31.2 | - | 8 | 45 | 132336 | CRQS-1/2-12-I | 1 |
| | 16 | 10.1 | 24 | 46.7 | 15 | 38.6 | - | 12 | 47 | 132337 | CRQS-1/2-16-I | 1 |

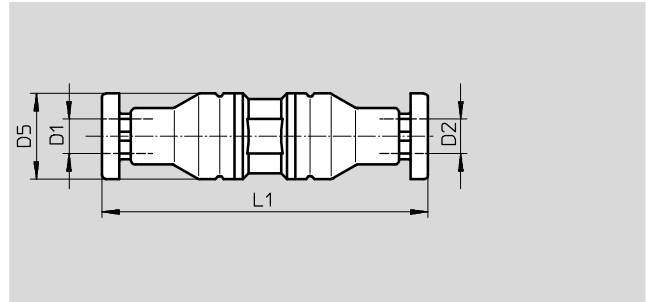
1) Packaging unit

Push-in fittings CRQS, stainless steel

Technical data



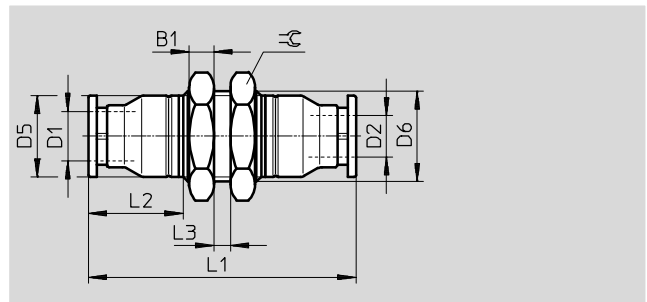
Push-in connector CRQS



| Dimensions and ordering data | | | | | | | | | |
|------------------------------|--------------------|-------------------|-----------------|------|--|-------------------|---------------|-------------------|------------------|
| Pneumatic connection | | Nominal size [mm] | Dimensions [mm] | | | Weight/ piece [g] | Part No. | Type | PU ¹⁾ |
| For tubing O.D. D1 | For tubing O.D. D2 | | D5 Ø | L1 | | | | | |
| 4 | 4 | 2.4 | 9.8 | 37.7 | | 9.1 | 130645 | CRQS-4 | 1 |
| 6 | 6 | 3.7 | 11.8 | 40.3 | | 14 | 130646 | CRQS-6 | 1 |
| 8 | 8 | 5.8 | 13.8 | 44.9 | | 18 | 130647 | CRQS-8 | 1 |
| 10 | 10 | 6.6 | 16.8 | 52 | | 29 | 130648 | CRQS-10 | 1 |
| 12 | 12 | 7.9 | 19.8 | 55.8 | | 44 | 130649 | CRQS-12 | 1 |
| 16 | 16 | 10.5 | 23.7 | 66.5 | | 63 | 130650 | CRQS-16 | 1 |
| Reducing | | | | | | | | | |
| 6 | 4 | 2.4 | 12 | 38.8 | | 11 | 130651 | CRQS-6-4 | 1 |
| 8 | 6 | 3.7 | 14 | 42.4 | | 15 | 130652 | CRQS-8-6 | 1 |
| 10 | 8 | 5.8 | 17 | 48.5 | | 22 | 130653 | CRQS-10-8 | 1 |
| 12 | 10 | 6.6 | 20 | 53.9 | | 35 | 130654 | CRQS-12-10 | 1 |
| 16 | 12 | 7.9 | 24 | 61.1 | | 50 | 130655 | CRQS-16-12 | 1 |

1) Packaging unit

Push-in bulkhead connector CRQSS



| Dimensions and ordering data | | | | | | | | | | | | | |
|------------------------------|--------------------|-------------------|-----------------|------|---------|------|------|---------|----|-------------------|---------------|-----------------|------------------|
| Pneumatic connection | | Nominal size [mm] | Dimensions [mm] | | | | | | | Weight/ piece [g] | Part No. | Type | PU ¹⁾ |
| For tubing O.D. D1 | For tubing O.D. D2 | | B1 | D5 Ø | D6 Ø | L1 | L2 | L3 max. | ≡C | | | | |
| 4 | 4 | 2.4 | 4 | 9.8 | M12x1 | 43.7 | 15.4 | 4 | 14 | 19 | 164210 | CRQSS-4 | 1 |
| 6 | 6 | 3.7 | 4 | 11.8 | M14x1 | 46.3 | 15.6 | 6 | 17 | 27 | 164211 | CRQSS-6 | 1 |
| 8 | 8 | 5.7 | 4 | 13.8 | M16x1 | 50.9 | 17.9 | 6 | 19 | 35 | 164213 | CRQSS-8 | 1 |
| 10 | 10 | 6.7 | 5 | 16.8 | M20x1 | 57 | 20 | 6 | 24 | 60 | 164215 | CRQSS-10 | 1 |
| 12 | 12 | 7.9 | 6 | 19.8 | M22x1 | 62.8 | 21.9 | 6 | 27 | 87 | 164217 | CRQSS-12 | 1 |
| 16 | 16 | 10.4 | 6 | 23.7 | M27x1.5 | 72.6 | 26.7 | 6 | 32 | 118 | 164219 | CRQSS-16 | 1 |

1) Packaging unit

Push-in fittings CRQS, stainless steel

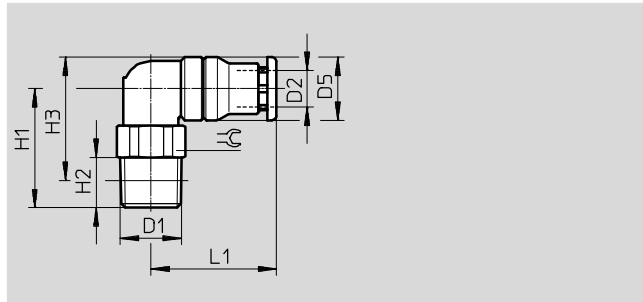
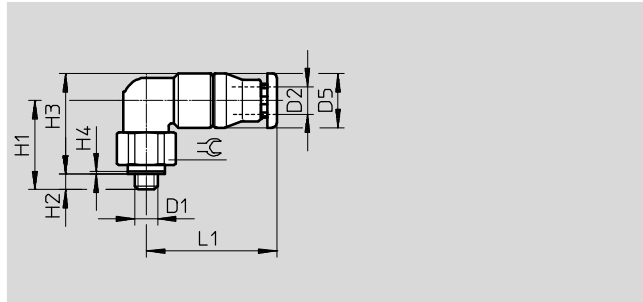
Technical data



Push-in L-fitting CRQSL

Orientable

Male thread with external hex



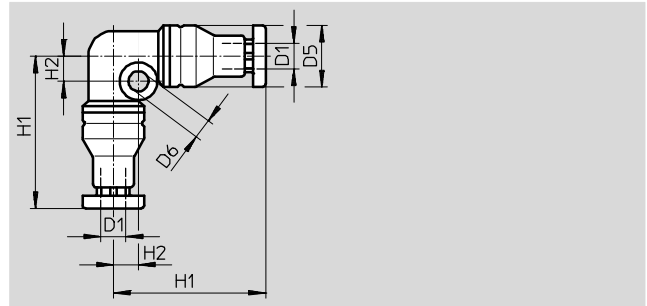
| Dimensions and ordering data | | | | | | | | | | | | | |
|---------------------------------|-----------------|--------------|-----------------|------|----|------|-----|------|----|---------------|----------|--------------|------------------|
| Pneumatic connection | | Nominal size | Dimensions [mm] | | | | | | | Weight/ piece | Part No. | Type | PU ¹⁾ |
| Male thread | For tubing O.D. | | D5 | H1 | H2 | H3 | H4 | L1 | ⊖ | | | | |
| D1 | D2 | [mm] | ∅ | | | | | | | [g] | | | |
| Metric thread with sealing ring | | | | | | | | | | | | | |
| M5x0.8 | 4 | 2 | 9.8 | 17 | 3 | 18.9 | 0.5 | 22.4 | 10 | 12 | 162870 | CRQSL-M5-4 | 1 |
| | 6 | 2 | 11.8 | 19 | 3 | 21.9 | 0.5 | 23.6 | 12 | 18 | 162871 | CRQSL-M5-6 | 1 |
| R thread | | | | | | | | | | | | | |
| R ¹ / ₈ | 4 | 2.2 | 9.8 | 19 | 8 | 19.9 | – | 22.4 | 10 | 14 | 132598 | CRQSL-1/8-4 | 1 |
| | 6 | 3.9 | 11.8 | 20.5 | 8 | 22.4 | – | 23.6 | 12 | 19 | 162872 | CRQSL-1/8-6 | 1 |
| | 8 | 5.2 | 13.8 | 23 | 8 | 25.9 | – | 26.4 | 14 | 26 | 162873 | CRQSL-1/8-8 | 1 |
| R ¹ / ₄ | 6 | 3.6 | 11.8 | 23 | 11 | 22.9 | – | 23.6 | 14 | 26 | 132599 | CRQSL-1/4-6 | 1 |
| | 8 | 5.1 | 13.8 | 25 | 11 | 25.9 | – | 26.4 | 14 | 30 | 162874 | CRQSL-1/4-8 | 1 |
| | 10 | 6 | 16.8 | 28.5 | 11 | 30.9 | – | 30.5 | 17 | 42 | 162875 | CRQSL-1/4-10 | 1 |
| R ³ / ₈ | 10 | 6 | 16.8 | 28.5 | 12 | 30.6 | – | 30.5 | 17 | 49 | 162876 | CRQSL-3/8-10 | 1 |
| | 12 | 8.1 | 19.8 | 30 | 12 | 33.6 | – | 33.4 | 21 | 65 | 162877 | CRQSL-3/8-12 | 1 |
| R ¹ / ₂ | 12 | 7.9 | 19.8 | 34 | 15 | 35.7 | – | 33.4 | 22 | 85 | 162878 | CRQSL-1/2-12 | 1 |
| | 16 | 9.4 | 23.7 | 36 | 15 | 39.7 | – | 40.7 | 24 | 99 | 162879 | CRQSL-1/2-16 | 1 |

1) Packaging unit

Push-in fittings CRQS, stainless steel

Technical data

Push-in L-connector CRQSL



| Dimensions and ordering data | | | | | | | | | |
|------------------------------|--------------|-----------------|---------|------|-----|---------------|---------------|-----------------|------------------|
| Pneumatic connection | Nominal size | Dimensions [mm] | | | | Weight/ piece | Part No. | Type | PU ¹⁾ |
| For tubing O.D. | | D5 Ø | D6 Ø | H1 | H2 | | | | |
| D1 | [mm] | | | | | [g] | | | |
| 4 | 2.1 | 9.8 | 3.2 | 24.4 | 4 | 13 | 130662 | CRQSL-4 | 1 |
| 6 | 3.5 | 11.8 | 3.2 | 26.6 | 5 | 20 | 130663 | CRQSL-6 | 1 |
| 8 | 5.1 | 13.8 | 3.2 | 29.9 | 6 | 27 | 130664 | CRQSL-8 | 1 |
| 10 | 6.1 | 16.8 | 4.2 | 35 | 7 | 42 | 130665 | CRQSL-10 | 1 |
| 12 | 7.8 | 19.8 | 4.2 | 37.9 | 8 | 62 | 130666 | CRQSL-12 | 1 |
| 16 | 9.4 | 23.7 | 4.2 | 45.2 | 9.5 | 91 | 130667 | CRQSL-16 | 1 |

1) Packaging unit

Push-in fittings CRQS, stainless steel

Technical data

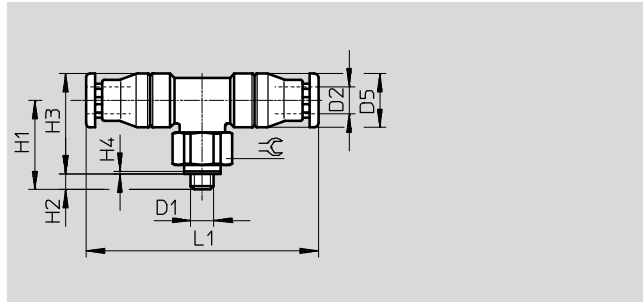
Push-in T-fitting CRQST

Orientable

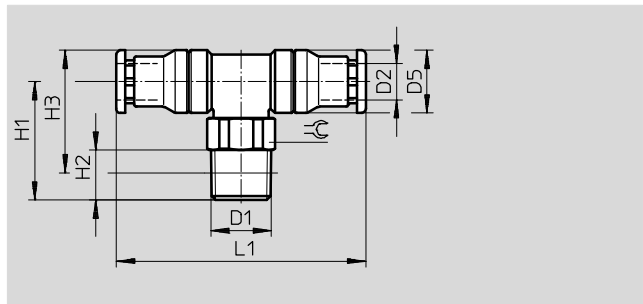
Male thread with external hex



M thread



R thread



| Dimensions and ordering data | | | | | | | | | | | | | |
|---------------------------------|-----------------|--------------|-----------------|------|----|------|-----|------|----|---------------|----------|--------------|------------------|
| Pneumatic connection | | Nominal size | Dimensions [mm] | | | | | | | Weight/ piece | Part No. | Type | PU ¹⁾ |
| Male thread | For tubing O.D. | | D5 | H1 | H2 | H3 | H4 | L1 | ⌀ | | | | |
| D1 | D2 | [mm] | ∅ | | | | | | | [g] | | | |
| Metric thread with sealing ring | | | | | | | | | | | | | |
| M5x0.8 | 4 | 2 | 9.8 | 17 | 3 | 18.9 | 0.5 | 44.4 | 10 | 17 | 164200 | CRQST-M5-4 | 1 |
| | 6 | 2 | 11.8 | 19 | 3 | 21.9 | 0.5 | 47.3 | 12 | 24 | 164201 | CRQST-M5-6 | 1 |
| R thread | | | | | | | | | | | | | |
| R ¹ / ₈ | 6 | 3.7 | 11.8 | 20.5 | 8 | 22.4 | – | 47.3 | 12 | 25 | 164202 | CRQST-1/8-6 | 1 |
| | 8 | 5 | 13.8 | 23 | 8 | 25.9 | – | 52.5 | 14 | 33 | 164203 | CRQST-1/8-8 | 1 |
| R ¹ / ₄ | 8 | 5 | 13.8 | 25 | 11 | 25.9 | – | 52.5 | 14 | 38 | 164204 | CRQST-1/4-8 | 1 |
| | 10 | 5.9 | 16.8 | 28.5 | 11 | 30.9 | – | 61 | 17 | 56 | 164205 | CRQST-1/4-10 | 1 |
| R ³ / ₈ | 10 | 5.9 | 16.8 | 28.5 | 12 | 30.6 | – | 61 | 17 | 62 | 164206 | CRQST-3/8-10 | 1 |
| | 12 | 8.1 | 19.8 | 30 | 12 | 33.6 | – | 66.6 | 21 | 85 | 164207 | CRQST-3/8-12 | 1 |
| R ¹ / ₂ | 12 | 8.1 | 19.8 | 34 | 15 | 35.7 | – | 66.6 | 22 | 105 | 164208 | CRQST-1/2-12 | 1 |
| | 16 | 9.5 | 23.7 | 36 | 15 | 39.7 | – | 81.4 | 24 | 128 | 164209 | CRQST-1/2-16 | 1 |

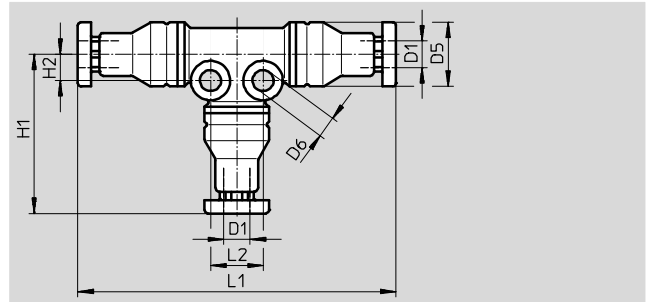
1) Packaging unit

Push-in fittings CRQS, stainless steel

Technical data



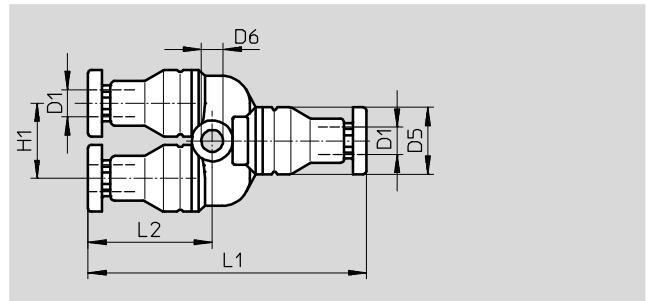
Push-in T-connector CRQST



| Dimensions and ordering data | | | | | | | | | | | |
|------------------------------|--------------|-----------------|---------|------|-----|------|----|---------------|---------------|-----------------|------------------|
| Pneumatic connection | Nominal size | Dimensions [mm] | | | | | | Weight/ piece | Part No. | Type | PU ¹⁾ |
| For tubing O.D. | | D5 ∅ | D6 ∅ | H1 | H2 | L1 | L2 | | | | |
| D1 | [mm] | | | | | | | [g] | | | |
| 4 | 2.1 | 9.8 | 3.2 | 24.4 | 4 | 48.4 | 8 | 18 | 130668 | CRQST-4 | 1 |
| 6 | 3.5 | 11.8 | 3.2 | 26.6 | 5 | 53.3 | 10 | 27 | 130669 | CRQST-6 | 1 |
| 8 | 5 | 13.8 | 3.2 | 29.9 | 6 | 59.5 | 12 | 37 | 130670 | CRQST-8 | 1 |
| 10 | 6.1 | 16.8 | 4.2 | 35 | 7 | 69.9 | 14 | 59 | 130671 | CRQST-10 | 1 |
| 12 | 8 | 19.8 | 4.2 | 37.9 | 8 | 75.6 | 16 | 87 | 130672 | CRQST-12 | 1 |
| 16 | 9.7 | 23.7 | 4.2 | 45.2 | 9.5 | 90.4 | 19 | 126 | 130673 | CRQST-16 | 1 |

1) Packaging unit

Push-in Y-connector CRQSY



| Dimensions and ordering data | | | | | | | | | | | |
|------------------------------|--------------|-----------------|---------|----|------|------|---------------|---------------|-----------------|------------------|--|
| Pneumatic connection | Nominal size | Dimensions [mm] | | | | | Weight/ piece | Part No. | Type | PU ¹⁾ | |
| For tubing O.D. | | D5 ∅ | D6 ∅ | H1 | L1 | L2 | | | | | |
| D1 | [mm] | | | | | | [g] | | | | |
| 4 | 2 | 9.8 | 3.2 | 11 | 41.1 | 18.4 | 15 | 130656 | CRQSY-4 | 1 | |
| 6 | 3.3 | 11.8 | 3.2 | 13 | 44.3 | 18.6 | 24 | 130657 | CRQSY-6 | 1 | |
| 8 | 4.9 | 13.8 | 3.2 | 15 | 51.4 | 20.9 | 34 | 130658 | CRQSY-8 | 1 | |
| 10 | 5.6 | 16.8 | 4.3 | 18 | 58.5 | 23.5 | 52 | 130659 | CRQSY-10 | 1 | |
| 12 | 7 | 19.8 | 4.3 | 21 | 64.8 | 25.4 | 80 | 130660 | CRQSY-12 | 1 | |
| 16 | 8.2 | 23.7 | 4.3 | 25 | 78.5 | 30.2 | 121 | 130661 | CRQSY-16 | 1 | |

1) Packaging unit

Festo - Your Partner in Automation



1 Festo Inc.
5300 Explorer Drive
Mississauga, ON L4W 5G4
Canada

Festo Customer Interaction Center
Tel: 1 877 463 3786
Fax: 1 877 393 3786
Email: customer.service.ca@festo.com

2 Festo Pneumatic
Av. Ceylán 3,
Col. Tequesquináhuac
54020 Tlalneantla,
Estado de México

Multinational Contact Center
01 800 337 8669
ventas.mexico@festo.com

3 Festo Corporation
1377 Motor Parkway
Suite 310
Islandia, NY 11749

Festo Customer Interaction Center
1 800 993 3786
1 800 963 3786
customer.service.us@festo.com

4 Regional Service Center
7777 Columbia Road
Mason, OH 45040

Connect with us



www.festo.com/socialmedia



www.festo.com

Subject to change