

Compact cylinders DPCA

FESTO



Key features

At a glance

- Compact design permits use in tight spaces
- Double-acting and single-acting versions
- Piston rod with external and internal thread
- With and without anti-twist protection
- With and without cushioning
- Simple assembly with suitable mounting options

System of units

[] Metric

Anti-twist protection

[Q] With anti-twist protection

- Anti-twist protection prevents the piston rod turning during movement
- Application example: position-oriented feeding

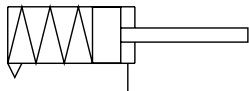
Stroke adjustment

[E] Advancing/front

- Stroke adjustment allows precision adjustment of the piston rod's advanced end position

Function

[P] Single-acting, pulling (piston rod advanced by spring force)



- The cylinder has one pneumatic connection. The piston rod is advanced in its initial position
- When the connection is pressurized with compressed air, the cylinder retracts. It is advanced by a spring

Piston rod type

[] At one end



- The piston rod can be used for connection at one end of the cylinder

System of units

[N] Inch

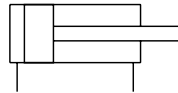
Running characteristics

[L4] Additional piston guide

- The piston guide serves to absorb higher transverse loads

Function

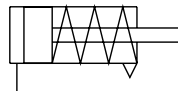
[] Double-acting



- The cylinder has two pneumatic connections which can be pressurized with compressed air one after the other
- When the rear connection is pressurized with compressed air, the cylinder advances. For retraction, the front connection is pressurized with compressed air

Function

[S] Single-acting, pushing (piston rod retracted by spring force)



- The cylinder has one pneumatic connection. The piston rod is retracted in its initial position
- When the connection is pressurized with compressed air, the cylinder advances. It is retracted by a spring

Piston rod type

[H] Through, hollow piston rod

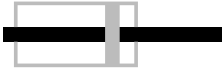


- The piston rod can be used for connection at both ends of the cylinder
- The piston rod is hollow inside, meaning it can be used to carry vacuum or compressed air
- Identical forces in forward and return stroke

Key features

Piston rod type

[T] Through piston rod



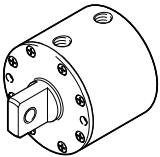
- The piston rod can be used for connection at both ends of the cylinder
- The piston rod has an internal thread on the side of the end cap and an external thread on the other side
- Identical forces in forward and return stroke

Piston rod thread type

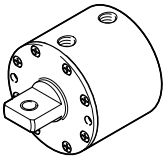
[F] Internal thread

**Type of mounting**

[U] With swiveling rod eye

**Type of mounting**

[U90] Swiveling rod eye, rotated 90°

**Noise reduction**

[SL]/[SL2]/[SL3] Both ends/front/rear

- Noise can be muffled with the noise reduction feature

Scraper variant

[A1] Increased chemical resistance

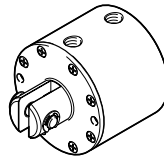
- FKM seals ensure a longer service life, e.g. with the use of cooling lubricants

Piston rod thread type

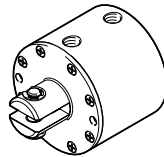
[] External thread

**Type of mounting**

[D] With swivel clevis

**Type of mounting**

[D90] With swivel clevis, rotated 90°

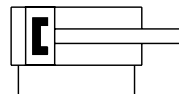
**Cushioning**

[P]/[P2]/[P3] Flexible cushioning rings/pads

- The actuator is fitted with rubber flexible end-position cushioning for absorbing higher impact energy.
- No adjustment required
- Saves time


Position sensing

[A] For proximity switch



Product range overview

Function	Type	Piston diameter	Stroke	System of units	Anti-twist protection	Stroke adjustment	Piston rod type		Piston rod thread type
		[in]	[in]	N	Q	E	H	T	F
Double-acting	Standard running characteristic								
	DPCA	1/2	1/16 ... 4	■	–	–	■	■	■
		3/4		■	■	–	■	■	■
		1 1/8	1/8 ... 4	■	■	■	■	■	■
		1 5/8		■	■	■	■	■	■
		2		■	■	■	■	■	■
		2 1/2		■	■	■	■	■	■
		3		■	■	■	■	■	■
		4		■	■	■	■	■	■
	Running characteristic with additional PTFE piston guide								
	DPCA-...-L4	1/2	1/8 ... 4	■	–	–	–	–	■
		3/4		■	■	–	–	–	■
		1 1/8	1/16 ... 3 7/8	■	■	–	–	–	■
		1 5/8	1/4 ... 3 3/4	■	■	–	–	–	■
		2	1/8 ... 3 3/4	■	■	–	–	–	■
		2 1/2	1/4 ... 3 3/4	■	■	–	–	–	■
		3		■	■	–	–	–	■
		4	5/16 ... 3 1 3/16	■	■	–	–	–	■


 - **Note**

Only fixed strokes can be ordered.

To find out which strokes are available for specific piston diameters, please refer to the ordering data in the modular product system a page 63

Product range overview

Function	Type	Piston diameter [in]	Stroke [in]	Type of mounting				Cushioning				Noise reduction			Position sensing	Scraper variant	
				D	U	D90	U90	N	P	P2	P3	SL	SL2	SL3	A	A1	
Double-acting	Standard running characteristic																
	DPCA	1/2	1/16 ... 4	■	■	■	■	■	■	■	■	■	■	■	■	■	■
		3/4		■	■	■	■	■	■	■	■	■	■	■	■	■	■
		1 1/8	1/8 ... 4	■	■	■	■	■	■	■	■	■	■	■	■	■	■
		1 5/8		■	■	■	■	■	■	■	■	■	■	■	■	■	■
		2		■	■	■	■	■	■	■	■	■	■	■	■	■	■
		2 1/2		■	-	■	-	■	■	■	■	■	■	■	■	■	■
		3		■	-	■	-	■	■	■	■	■	■	■	■	■	■
		4		■	-	■	-	■	■	■	■	■	■	■	■	■	■
	Running characteristic with additional PTFE piston guide																
	DPCA-...-L4	1/2	1/8 ... 4	■	■	■	■	■	■	■	■	■	■	■	■	■	■
		3/4		■	■	■	■	■	■	■	■	■	■	■	■	■	■
		1 1/8	1/16 ... 3 7/8	■	■	■	■	■	■	■	■	■	■	■	■	■	■
		1 5/8	1/4 ... 3 3/4	■	■	■	■	■	■	■	■	■	■	■	■	■	■
		2	1/8 ... 3 3/4	■	■	■	■	■	■	■	■	■	■	■	■	■	■
		2 1/2	1/4 ... 3 3/4	■	-	■	-	■	■	■	■	■	■	■	■	■	■
3			■	-	■	-	■	■	■	■	■	■	■	■	■	■	
4	5/16 ... 3 1 3/16	■	-	■	-	■	■	■	■	■	■	■	■	■	■		

 - **Note**

Only fixed strokes can be ordered.


To find out which strokes are available for specific piston diameters, please refer to the ordering data in the modular product system a page 63

Product range overview

Function	Type	Piston diameter	Stroke	System of units	Anti-twist protection	Stroke adjustment	Piston rod type		Piston rod thread type	
		[in]	[in]	N	Q	E	H	T	F	
Single-acting, pulling ¹⁾	Standard running characteristic									
	DPCA-...-P	1/2	1/16 ... 1/2	■	-	-	-	-	-	■
		3/4		■	-	-	-	-	-	■
		1 1/8	1/8 ... 1 1/2	■	-	-	-	-	-	■
		1 5/8	1/8 ... 1	■	-	-	-	-	-	■
		2		■	-	-	-	-	-	■
		2 1/2		■	-	-	-	-	-	■
		3		■	-	-	-	-	-	■
	Running characteristic with additional PTFE piston guide									
	DPCA-...-L4-...-P	1/2	1/8 ... 3/8	■	-	-	-	-	-	■
		3/4		■	-	-	-	-	-	■
		1 1/8	1/16 ... 1 3/8	■	-	-	-	-	-	■
		1 5/8	1/4 ... 3/4	■	-	-	-	-	-	■
		2	1/8 ... 3/4	■	-	-	-	-	-	■
2 1/2		1/4 ... 3/4	■	-	-	-	-	-	■	
3			■	-	-	-	-	-	■	
Single-acting, pushing ²⁾	Standard running characteristic									
	DPCA-...-S	1/2	1/16 ... 2	■	-	-	■	■	■	■
		3/4		■	-	-	■	■	■	■
		1 1/8	1/8 ... 2	■	-	■	■	■	■	■
		1 5/8	1/8 ... 1 1/2	■	-	■	■	■	■	■
		2		■	-	■	■	■	■	■
		2 1/2		■	-	■	■	■	■	■
		3		■	-	■	■	■	■	■
	Running characteristic with additional PTFE piston guide									
	DPCA-...-L4-...-S	1/2	1/8 ... 2	■	-	-	-	-	-	■
		3/4		■	-	-	-	-	-	■
		1 1/8	1/16 ... 1 7/8	■	-	-	-	-	-	■
		1 5/8	1/4 ... 1 1/4	■	-	-	-	-	-	■
		2	1/8 ... 1 1/4	■	-	-	-	-	-	■
2 1/2		1/4 ... 1 1/4	■	-	-	-	-	-	■	
3			■	-	-	-	-	-	■	

1) piston rod advanced by spring force

2) piston rod retracted by spring force

 **Note**


Only fixed strokes can be ordered.

To find out which strokes are available for specific piston diameters, please refer to the ordering data in the modular product system a page 103

Product range overview

Function	Type	Piston diameter [in]	Stroke [in]	Type of mounting				Cushioning				Noise reduction			Position sensing	Scraper variant
				D	U	D90	U90	N	P	P2	P3	SL	SL2	SL3	A	A1
Single-acting, pulling ¹⁾	Standard running characteristic															
	DPCA-...-P	1/2	1/16 ... 1/2	■	■	■	■	■	-	■	-	-	-	-	-	■
		3/4		■	■	■	■	■	-	■	-	-	-	-	-	■
		1 1/8	1/8 ... 1 1/2	■	■	■	■	■	-	■	-	■	■	■	-	■
		1 5/8	1/8 ... 1	■	■	■	■	■	-	■	-	■	■	■	-	■
		2		■	■	■	■	■	-	■	-	■	■	■	-	■
		2 1/2		■	-	■	-	■	-	■	-	■	■	■	-	■
	3	■	-	■	-	■	-	■	-	■	■	■	-	■		
	Running characteristic with additional PTFE piston guide															
	DPCA-...-L4-...-P	1/2	1/8 ... 3/8	■	■	■	■	■	-	■	-	-	-	-	-	■
		3/4		■	■	■	■	■	-	■	-	-	-	-	-	■
		1 1/8	1/16 ... 1 3/8	■	■	■	■	■	-	■	-	■	■	■	-	■
		1 5/8	1/4 ... 3/4	■	■	■	■	■	-	■	-	■	■	■	-	■
		2	1/8 ... 3/4	■	■	■	■	■	-	■	-	■	■	■	-	■
2 1/2		1/4 ... 3/4	■	-	■	-	■	-	■	-	■	■	■	-	■	
3		■	-	■	-	■	-	■	-	■	■	■	-	■		
Single-acting, pushing ²⁾	Standard running characteristic															
	DPCA-...-S	1/2	1/16 ... 2	■	■	■	■	■	-	-	■	-	-	-	-	■
		3/4		■	■	■	■	■	-	-	■	-	-	-	-	■
		1 1/8	1/8 ... 2	■	■	■	■	■	-	-	■	-	-	■	-	■
		1 5/8	1/8 ... 1 1/2	■	■	■	■	■	-	-	■	-	-	■	-	■
		2		■	■	■	■	■	-	-	■	-	-	■	-	■
		2 1/2		■	-	■	-	■	-	-	■	-	-	■	-	■
	3	■	-	■	-	■	-	-	■	-	-	■	-	■		
	Running characteristic with additional PTFE piston guide															
	DPCA-...-L4-...-S	1/2	1/8 ... 2	■	■	■	■	■	-	-	■	-	-	-	-	■
		3/4		■	■	■	■	■	-	-	■	-	-	-	-	■
		1 1/8	1/16 ... 1 7/8	■	■	■	■	■	-	-	■	-	-	■	-	■
		1 5/8	1/4 ... 1 1/4	■	■	■	■	■	-	-	■	-	-	■	-	■
		2	1/8 ... 1 1/4	■	■	■	■	■	-	-	■	-	-	■	-	■
2 1/2		1/4 ... 1 1/4	■	-	■	-	■	-	-	■	-	-	■	-	■	
3		■	-	■	-	■	-	-	■	-	-	■	-	■		

1) piston rod advanced by spring force
 2) piston rod retracted by spring force

 **Note**
 Only fixed strokes can be ordered.
 To find out which strokes are available for specific piston diameters, please refer to the ordering data in the modular product system a page 103

Type codes

001	Series	
DPCA	Pancake cylinder	

002	System of units	
	Metric	
N	Imperial	

003	Protection against rotation	
	None	
Q	With protection against rotation	

004	Running characteristics	
	Standard	
L4	Additional PTFE piston guide	

005	Piston diameter [“]	
1/2”	1/2”	
3/4”	3/4”	
1 1/8”	1 1/8”	
1 5/8”	1 5/8”	
2”	2”	
2 1/2”	2 1/2”	
3”	3”	
4”	4”	

006	Stroke [“]	
1/16”	1/16”	
1/8”	1/8”	
3/16”	3/16”	
1/4”	1/4”	
5/16”	5/16”	
3/8”	3/8”	
1/2”	1/2”	
5/8”	5/8”	
3/4”	3/4”	
13/16”	13/16”	
7/8”	7/8”	
1”	1”	
1 1/8”	1 1/8”	
1 1/4”	1 1/4”	
1 5/16”	1 5/16”	
1 3/8”	1 3/8”	
1 1/2”	1 1/2”	
1 5/8”	1 5/8”	
1 3/4”	1 3/4”	
1 13/16”	1 13/16”	
1 7/8”	1 7/8”	
2”	2”	
2 3/4”	2 3/4”	
2 13/16”	2 13/16”	
2 7/8”	2 7/8”	
3”	3”	
3 3/4”	3 3/4”	
3 13/16”	3 13/16”	
3 7/8”	3 7/8”	
4”	4”	

Type codes

007	Stroke adjustment	
	Without	
E	Advancing/front	

008	Function	
	Double-acting	
P	Single-acting, pulling	
S	Single-acting, pushing	

009	Piston rod type	
	At one end	
H	Through, hollow piston rod	
T	Through piston rod	

010	Piston rod thread type	
	Male thread	
F	Female thread	

011	Type of mounting	
	Standard	
U	With swivelling rod eye	
D	With swivel clevis	
D90	With swivel clevis, rotated 90°	
U90	With swivelling rod eye, rotated 90°	

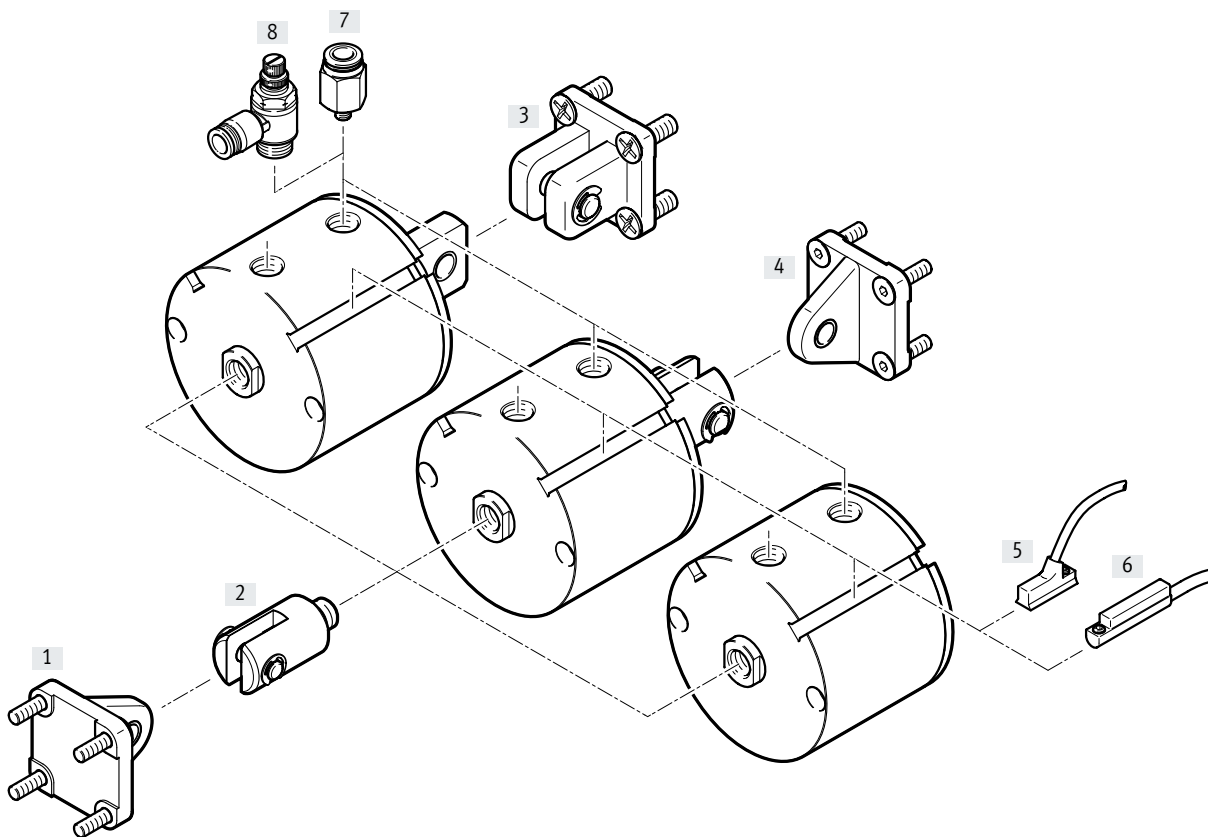
012	Cushioning	
	No cushioning	
P	Elastic cushioning rings/plates on both sides	
P2	Elastic cushioning rings/plates, front	
P3	Elastic cushioning rings/plates, rear	

013	Noise reduction	
	Without	
SL	Both sides	
SL2	Front	
SL3	Rear	

014	Position sensing	
	None	
A	For proximity sensor	

015	Scraper variant	
	None	
A1	Increased chemical resistance	

Peripherals overview

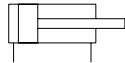


Accessories	Description	→ Page/Internet
[1] Clevis flange DAMS-C4-...-C	For connecting to swivel clevis DARC	105
[2] Pivoting clevis DARC-C4-...-M	Permits swivel motion in one plane	106
[3] Clevis flange DAMS-C4-...-D	Counterpart for the swiveling rod eye on the cylinder	107
[4] Clevis flange DAMS-C4-...-C	For connecting to compact cylinder DPCA	105
[5] Proximity switch SDBF-FBS	For dovetail slot For piston diameter 3/4 ... 4	108
[6] Proximity switch SDBF-FAS	For round slot For piston diameter 1/2	108
[7] Push-in fitting QB/QBM/QBML/QBL	For connecting compressed air tubing with standard O.D.	108
[8] Check valve GRLA	For regulating velocity	108

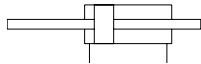
Datasheet

Function

DPCA



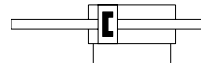
DPCA...T



DPCA...A



DPCA...T...A



- - Diameter
1/2 ... 4 inch
- - Stroke length
1/16 ... 4 inch

General technical data		1/2	3/4	1 1/8	1 5/8	2	2 1/2	3	4
Piston diameter									
Design	Piston								
	Piston rod								
	Cylinder barrel								
Mode of operation	Double-acting								
Piston rod end	External thread								
	Internal thread								
Anti-twist protection/guide	-	Piston guide pin							
Pneumatic connection	Double-acting								
[]	M5	G1/8							
[N]	10-32 UNF-2B	1/8 NPT							
Piston rod thread									
[]	8-32 UNC-2A	10-32 UNF-2A	5/16-24 UNF-2A	3/8-24 UNF-2A	1/2-20 UNF-2A	5/8-18 UNF-2A			
[F]	8-32 UNC-2B	10-32 UNF-2B	5/16-24 UNF-2B	3/8-24 UNF-2B	1/2-20 UNF-2B	5/8-18 UNF-2B			
Stroke	[in]	1/16 ... 4			1/8 ... 4				
Cushioning									
[P]	Flexible cushioning rings/pads at both ends								
[P2]	Flexible cushioning rings/pads at front								
[P3]	Flexible cushioning rings/pads at rear								
Position sensing	For proximity switch								
Type of mounting									
	With through-hole								
	With accessories								
[U]	With swiveling rod eye on end cap							-	
[D]	With swivel clevis on end cap								
[U90]	With swiveling rod eye on end cap rotated 90°							-	
[D90]	With swivel clevis on end cap rotated 90°								
Mounting position	Any								

Datasheet

Operating and environmental conditions								
Piston diameter	1/2	3/4	1 1/8	1 5/8	2	2 1/2	3	4
Operating pressure [psi]	15 ... 150							
Operating medium	Compressed air to ISO 8573-1:2010 [7:4:4]							
Information on operating and pilot media	Operation with oil lubrication possible (required for further use)							
Ambient temperature ¹⁾ [°F]	-25 ... +250							

1) Note operating range of proximity switches

Forces [lbs] at 80 psi								
Piston diameter	1/2	3/4	1 1/8	1 5/8	2	2 1/2	3	4
Theoretical force, advancing	16	35.2	79.2	165.6	251.2	392.8	565.6	1005.6
Theoretical force, retracting	12	28.8	64	136	216	357.6	530.4	957.6

Weight [lb]								
Piston diameter	1/2	3/4	1 1/8	1 5/8	2	2 1/2	3	4
Product weight	0.08 ... 0.46	0.14 ... 0.81	0.28 ... 1.39	0.6 ... 3.8	0.89 ... 3.95	1.43 ... 4.73	1.89 ... 5.72	3.88 ... 10.08

Materials	
Cover	Wrought aluminum alloy
Dynamic seals	NBR FPM
Piston rod	High-alloy steel
Cylinder barrel	Wrought aluminum alloy
Note on materials	Contains paint-wetting impairment substances RoHS-compliant

Datasheet

Dimensions – piston diameter 1/2

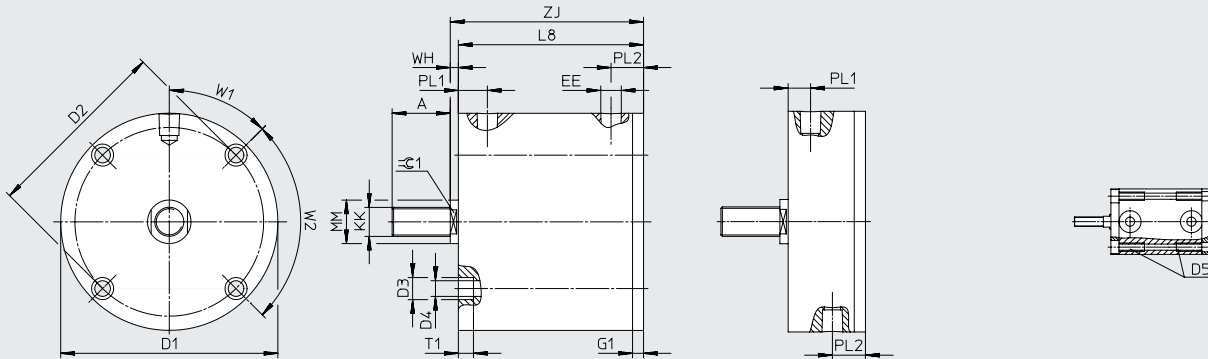
Download CAD data → www.festo.com

DPCA-...-1/16" ... 3/8"

DPCA-...-1" ... 4"

DPCA-...-L4-...-1/8" ... 1/4"

DPCA-...-L4-...-1" ... 4"



Stroke [in]	A	D1 ø	D2 ø	D3 ø	D4 ø	D5	EE		G1	KK	
								[N]			[N]
1/16	0.5	1.13	0.88	0.23	0.14	-	M5	10-32	0.13	M4	8-32 UNC-2A
1/8	0.5	1.13	0.88	0.23	0.14	-	M5	10-32	0.13	M4	8-32 UNC-2A
1/4	0.5	1.13	0.88	0.23	0.14	-	M5	10-32	0.13	M4	8-32 UNC-2A
3/8	0.5	1.13	0.88	0.23	0.14	-	M5	10-32	0.13	M4	8-32 UNC-2A
1/2	0.5	1.13	0.88	0.23	0.14	-	M5	10-32	0.13	M4	8-32 UNC-2A
5/8	0.5	1.13	0.88	0.23	0.14	-	M5	10-32	0.13	M4	8-32 UNC-2A
3/4	0.5	1.13	0.88	0.23	0.14	-	M5	10-32	0.13	M4	8-32 UNC-2A
1	0.5	1.13	0.88	-	-	6-32x0.44	M5	10-32	0.13	M4	8-32 UNC-2A
1 1/4	0.5	1.13	0.88	-	-	6-32x0.44	M5	10-32	0.13	M4	8-32 UNC-2A
1 1/2	0.5	1.13	0.88	-	-	6-32x0.44	M5	10-32	0.13	M4	8-32 UNC-2A
2	0.5	1.13	0.88	-	-	6-32x0.44	M5	10-32	0.13	M4	8-32 UNC-2A
3	0.5	1.13	0.88	-	-	6-32x0.44	M5	10-32	0.13	M4	8-32 UNC-2A
4	0.5	1.13	0.88	-	-	6-32x0.44	M5	10-32	0.13	M4	8-32 UNC-2A

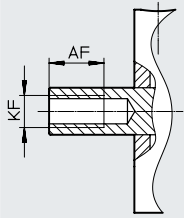
Stroke [in]	L8		MM ø	PL1	PL2	T1	W1	W2	WH	ZJ		⊕ 1
		[L4]									[L4]	
1/16	0.7	-	0.25	0.33	0.31	0.14	90°	-	0.13	0.83	-	0.19
1/8	0.7	0.83	0.25	0.33	0.31	0.14	90°	-	0.13	0.83	0.96	0.19
1/4	0.83	0.95	0.25	0.33	0.31	0.14	90°	-	0.13	0.96	1.08	0.19
3/8	0.95	1.08	0.25	0.33	0.31	0.14	90°	-	0.13	1.08	1.21	0.19
1/2	1.08	1.23	0.25	0.33	0.31	0.14	90°	-	0.13	1.21	1.36	0.19
5/8	1.23	1.36	0.25	0.33	0.31	0.14	90°	-	0.13	1.36	1.49	0.19
3/4	1.36	-	0.25	0.33	0.31	0.14	90°	-	0.13	1.49	-	0.19
1	1.7		0.25	0.33	0.31	-	90°	-	0.13	1.83		0.19
1 1/4	1.95		0.25	0.33	0.31	-	90°	-	0.13	2.08		0.19
1 1/2	2.2		0.25	0.33	0.31	-	90°	-	0.13	2.33		0.19
2	2.83		0.25	0.42	0.31	-	90°	-	0.13	2.96		0.19
3	3.83		0.25	0.42	0.31	-	90°	-	0.13	3.96		0.19
4	4.83		0.25	0.42	0.31	-	90°	-	0.13	4.96		0.19

Datasheet

Dimensions – piston diameter 1/2

Download CAD data → www.festo.com

[F] Internal thread



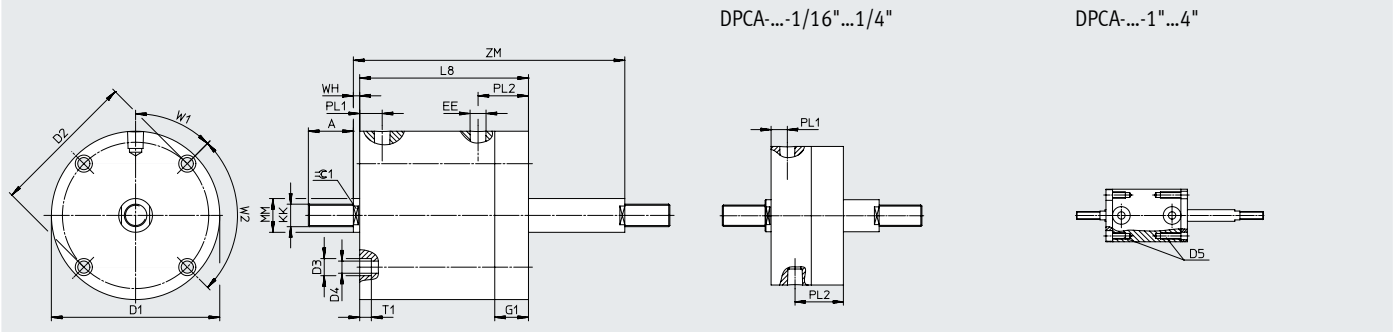
Stroke [in]	AF	KF	
		AF [L4]	[N]
1/16	0.25	–	M4 8-32 UNC-2B
1/8	0.25	0.25	M4 8-32 UNC-2B
1/4	0.25	0.38	M4 8-32 UNC-2B
3/8	0.38	0.38	M4 8-32 UNC-2B
1/2	0.38	0.38	M4 8-32 UNC-2B
5/8	0.38	0.38	M4 8-32 UNC-2B
3/4	0.38	–	M4 8-32 UNC-2B
1	0.38	0.38	M4 8-32 UNC-2B
1 1/4	0.38	0.38	M4 8-32 UNC-2B
1 1/2	0.38	0.38	M4 8-32 UNC-2B
2	0.38	0.38	M4 8-32 UNC-2B
3	0.38	0.38	M4 8-32 UNC-2B
4	0.38	0.38	M4 8-32 UNC-2B

Datasheet

Dimensions – piston diameter 1/2

Download CAD data → www.festo.com

[T] Through piston rod



Stroke [in]	A	D1 ∅	D2 ∅	D3 ∅	D4 ∅	D5	EE		G1	KK	
								[N]			[N]
1/16	0.5	1.13	0.88	0.23	0.14	–	M5	10-32	0.14	M4	8-32 UNC-2A
1/8	0.5	1.13	0.88	0.23	0.14	–	M5	10-32	0.14	M4	8-32 UNC-2A
1/4	0.5	1.13	0.88	0.23	0.14	–	M5	10-32	0.14	M4	8-32 UNC-2A
3/8	0.5	1.13	0.88	0.23	0.14	–	M5	10-32	0.14	M4	8-32 UNC-2A
1/2	0.5	1.13	0.88	0.23	0.14	–	M5	10-32	0.14	M4	8-32 UNC-2A
5/8	0.5	1.13	0.88	0.23	0.14	–	M5	10-32	0.14	M4	8-32 UNC-2A
3/4	0.5	1.13	0.88	0.23	0.14	–	M5	10-32	0.14	M4	8-32 UNC-2A
1	0.5	1.13	0.88	–	–	6-32x0.44	M5	10-32	0.14	M4	8-32 UNC-2A
1 1/4	0.5	1.13	0.88	–	–	6-32x0.44	M5	10-32	0.14	M4	8-32 UNC-2A
1 1/2	0.5	1.13	0.88	–	–	6-32x0.44	M5	10-32	0.14	M4	8-32 UNC-2A
2	0.5	1.13	0.88	–	–	6-32x0.44	M5	10-32	0.14	M4	8-32 UNC-2A
3	0.5	1.13	0.88	–	–	6-32x0.44	M5	10-32	0.14	M4	8-32 UNC-2A
4	0.5	1.13	0.88	–	–	6-32x0.44	M5	10-32	0.14	M4	8-32 UNC-2A

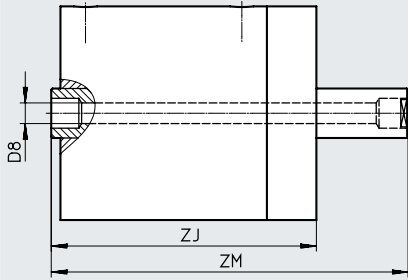
Stroke [in]	L8	MM ∅	PL1	PL2	T1	W1	W2	WH	ZM	⊖ 1
1/16	0.87	0.25	0.33	0.33	0.14	90°	–	0.13	1.1925	0.19
1/8	0.87	0.25	0.33	0.33	0.14	90°	–	0.13	1.255	0.19
1/4	1	0.25	0.33	0.33	0.14	90°	–	0.13	1.51	0.19
3/8	1.12	0.25	0.33	0.33	0.14	90°	–	0.13	1.755	0.19
1/2	1.25	0.25	0.33	0.33	0.14	90°	–	0.13	2.01	0.19
5/8	1.37	0.25	0.33	0.33	0.14	90°	–	0.13	2.255	0.19
3/4	1.5	0.25	0.33	0.33	0.14	90°	–	0.13	2.51	0.19
1	1.75	0.25	0.33	0.33	–	90°	–	0.13	3.01	0.19
1 1/4	2	0.25	0.33	0.33	–	90°	–	0.13	3.51	0.19
1 1/2	2.25	0.25	0.33	0.33	–	90°	–	0.13	4.01	0.19
2	2.75	0.25	0.33	0.33	–	90°	–	0.13	5.01	0.19
3	3.75	0.25	0.33	0.33	–	90°	–	0.13	7.01	0.19
4	4.75	0.25	0.33	0.33	–	90°	–	0.13	9.01	0.19

Datasheet

Dimensions – piston diameter 1/2

Download CAD data → www.festo.com

[H] Through, hollow piston rod



Stroke [in]	D8 ∅	ZJ	ZM
1/16	1/16	1	1.925
1/8	1/16	1	1.255
1/4	1/16	1.13	1.51
3/8	1/16	1.25	1.755
1/2	1/16	1.38	2.01
5/8	1/16	1.5	2.255
3/4	1/16	1.63	2.51
1	1/16	1.88	3.01
1 1/4	1/16	2.13	3.51
1 1/2	1/16	2.38	4.01
2	1/16	2.88	5.01
3	1/16	3.88	7.01
4	1/16	4.88	9.01

Datasheet

Dimensions – piston diameter 1/2

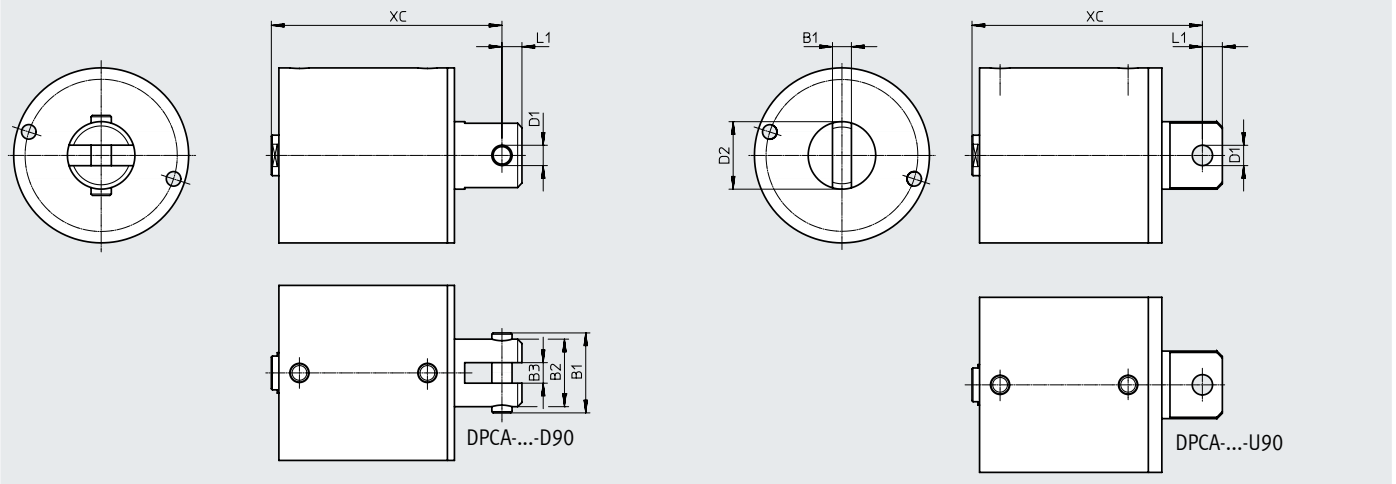
Download CAD data → www.festo.com

[D] With swivel clevis

[U] With swiveling rod eye

[D90] With swivel clevis, rotated 90°

[U90] With swiveling rod eye, rotated 90°



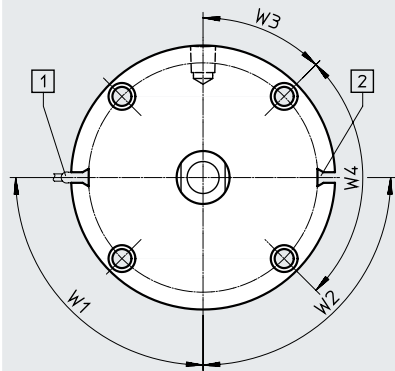
Stroke [in]	B1		B2	B3	D1 ∅		D2 ∅	L1	XC	
	[D/D90]	[U/U90]			[D/D90]	[U/U90]				[L4]
1/16	0.83	0.23	0.63	0.25	0.25	0.251	0.63	0.25	1.27	–
1/8	0.83	0.23	0.63	0.25	0.25	0.251	0.63	0.25	1.27	1.4
1/4	0.83	0.23	0.63	0.25	0.25	0.251	0.63	0.25	1.4	1.52
3/8	0.83	0.23	0.63	0.25	0.25	0.251	0.63	0.25	1.52	1.65
1/2	0.83	0.23	0.63	0.25	0.25	0.251	0.63	0.25	1.65	1.8
5/8	0.83	0.23	0.63	0.25	0.25	0.251	0.63	0.25	1.8	1.93
3/4	0.83	0.23	0.63	0.25	0.25	0.251	0.63	0.25	1.93	–
1	0.83	0.23	0.63	0.25	0.25	0.251	0.63	0.25	2.27	
1 1/4	0.83	0.23	0.63	0.25	0.25	0.251	0.63	0.25	2.52	
1 1/2	0.83	0.23	0.63	0.25	0.25	0.251	0.63	0.25	2.77	
2	0.83	0.23	0.63	0.25	0.25	0.251	0.63	0.25	3.4	
3	0.83	0.23	0.63	0.25	0.25	0.251	0.63	0.25	4.4	
4	0.83	0.23	0.63	0.25	0.25	0.251	0.63	0.25	5.4	

Datasheet

Dimensions – piston diameter 1/2

Download CAD data → www.festo.com

[A] For proximity switch



- [1] Sensor
- [2] Sensor slot

Stroke [in]	Sensor slot number	W1	W2	W3	W4
1/4	2	60°	60°	90°	–
3/8	2	60°	60°	90°	–
1/2	2	60°	60°	90°	–
5/8	2	60°	60°	90°	–
3/4	2	60°	60°	90°	–
1	2	60°	60°	90°	–
1 1/4	2	60°	60°	90°	–
1 1/2	2	60°	60°	90°	–
2	1	60°	–	90°	–
3	1	60°	–	90°	–
4	1	60°	–	90°	–

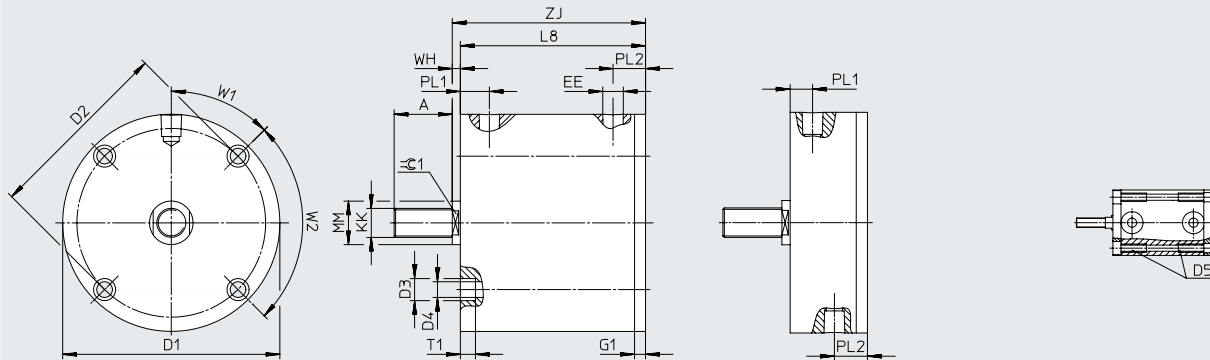
Datasheet

Dimensions – piston diameter 3/4

Download CAD data → www.festo.com

- DPCA-...-1/16" ...3/8"
- DPCA-...-L4-...-1/8" ...1/4"
- DPCA-...-Q-...-1/8" ...1/4"
- DPCA-...-Q-L4-...-1/8" ...1/4"

- DPCA-...-1" ...4"
- DPCA-...-L4-...-1" ...4"
- DPCA-...-Q-...-1" ...4"
- DPCA-...-Q-L4-...-1" ...4"



Stroke [in]	A	D1 ø	D2 ø	D3 ø	D4 ø	D5	EE		G1	KK	
								[N]			[N]
1/16	0.5	1.5	1.19	0.23	0.14	–	M5	10-32	0.13	M5	10-32 UNF-2A
1/8	0.5	1.5	1.19	0.23	0.14	–	M5	10-32	0.13	M5	10-32 UNF-2A
1/4	0.5	1.5	1.19	0.23	0.14	–	M5	10-32	0.13	M5	10-32 UNF-2A
3/8	0.5	1.5	1.19	0.23	0.14	–	M5	10-32	0.13	M5	10-32 UNF-2A
1/2	0.5	1.5	1.19	0.23	0.14	–	M5	10-32	0.13	M5	10-32 UNF-2A
5/8	0.5	1.5	1.19	0.23	0.14	–	M5	10-32	0.13	M5	10-32 UNF-2A
3/4	0.5	1.5	1.19	0.23	0.14	–	M5	10-32	0.13	M5	10-32 UNF-2A
1	0.5	1.5	1.19	–	–	8-32x0.44	M5	10-32	0.13	M5	10-32 UNF-2A
1 1/4	0.5	1.5	1.19	–	–	8-32x0.44	M5	10-32	0.13	M5	10-32 UNF-2A
1 1/2	0.5	1.5	1.19	–	–	8-32x0.44	M5	10-32	0.13	M5	10-32 UNF-2A
2	0.5	1.5	1.19	–	–	8-32x0.44	M5	10-32	0.13	M5	10-32 UNF-2A
3	0.5	1.5	1.19	–	–	8-32x0.44	M5	10-32	0.13	M5	10-32 UNF-2A
4	0.5	1.5	1.19	–	–	8-32x0.44	M5	10-32	0.13	M5	10-32 UNF-2A

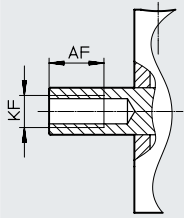
Stroke [in]	L8				MM ø	PL1	PL2	T1	W1	W2	WH	ZJ				≅ 1
		[L4]	[Q]	[Q-L4]									[L4]	[Q]	[Q-L4]	
1/16	0.7	–	–	–	0.31	0.33	0.31	0.14	90°	–	0.13	0.83	–	–	–	0.25
1/8	0.7	0.83	0.83	0.83	0.31	0.33	0.31	0.14	90°	–	0.13	0.83	0.96	0.96	0.96	0.25
1/4	0.83	0.95	0.95	0.95	0.31	0.33	0.31	0.14	90°	–	0.13	0.96	1.08	1.08	1.08	0.25
3/8	0.95	1.08	1.08	1.08	0.31	0.33	0.31	0.14	90°	–	0.13	1.08	1.21	1.21	1.21	0.25
1/2	1.08	1.23	1.23	1.23	0.31	0.33	0.31	0.14	90°	–	0.13	1.21	1.36	1.36	1.36	0.25
5/8	1.23	1.36	1.36	1.36	0.31	0.33	0.31	0.14	90°	–	0.13	1.36	1.49	1.49	1.49	0.25
3/4	1.36	–	–	–	0.31	0.33	0.31	0.14	90°	–	0.13	1.49	–	–	–	0.25
1	1.7				0.31	0.33	0.31	–	90°	–	0.13	1.83				0.25
1 1/4	1.95				0.31	0.33	0.31	–	90°	–	0.13	2.08				0.25
1 1/2	2.2				0.31	0.33	0.31	–	90°	–	0.13	2.33				0.25
2	2.83				0.31	0.42	0.31	–	90°	–	0.13	2.96				0.25
3	3.83				0.31	0.42	0.31	–	90°	–	0.13	3.96				0.25
4	4.83				0.31	0.42	0.31	–	90°	–	0.13	4.96				0.25

Datasheet

Dimensions – piston diameter 3/4

Download CAD data → www.festo.com

[F] Internal thread



Stroke [in]	AF	AF				KF	
		[L4]	[Q]	[Q-L4]		[N]	
1/16	0.25	–	–	–	M5	10-32 UNF-2B	
1/8	0.25	0.25	0.25	0.25	M5	10-32 UNF-2B	
1/4	0.25	0.38	0.38	0.38	M5	10-32 UNF-2B	
3/8	0.38	0.38	0.38	0.38	M5	10-32 UNF-2B	
1/2	0.38	0.38	0.38	0.38	M5	10-32 UNF-2B	
5/8	0.38	0.38	0.38	0.38	M5	10-32 UNF-2B	
3/4	0.38	–	–	–	M5	10-32 UNF-2B	
1	0.38	0.38	0.38	0.38	M5	10-32 UNF-2B	
1 1/4	0.38	0.38	0.38	0.38	M5	10-32 UNF-2B	
1 1/2	0.38	0.38	0.38	0.38	M5	10-32 UNF-2B	
2	0.38	0.38	0.38	0.38	M5	10-32 UNF-2B	
3	0.38	0.38	0.38	0.38	M5	10-32 UNF-2B	
4	0.38	0.38	0.38	0.38	M5	10-32 UNF-2B	

Datasheet

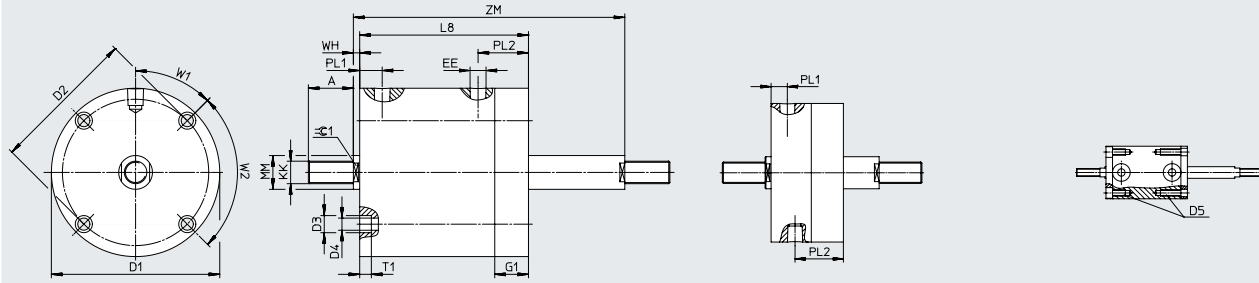
Dimensions – piston diameter 3/4

Download CAD data → www.festo.com

[T] Through piston rod

DPCA-...-1/16"...1/4"
DPCA-...-Q-...-1/8"

DPCA-...-1"...4"
DPCA-...-Q-...-7/8"...3 7/8"



Stroke [in]	A	D1 ∅	D2 ∅	D3		D4		D5		EE		G1	KK	
				∅	[Q]	∅	[Q]		[Q]		[N]			[N]
1/16	0.5	1.5	1.19	0.23	-	0.14	-	-	-	M5	10-32	0.14	M5	10-32 UNF-2A
1/8	0.5	1.5	1.19	0.23	0.23	0.14	0.14	-	-	M5	10-32	0.14	M5	10-32 UNF-2A
1/4	0.5	1.5	1.19	0.23	0.23	0.14	0.14	-	-	M5	10-32	0.14	M5	10-32 UNF-2A
3/8	0.5	1.5	1.19	0.23	0.23	0.14	0.14	-	-	M5	10-32	0.14	M5	10-32 UNF-2A
1/2	0.5	1.5	1.19	0.23	0.23	0.14	0.14	-	-	M5	10-32	0.14	M5	10-32 UNF-2A
5/8	0.5	1.5	1.19	0.23	0.23	0.14	0.14	-	-	M5	10-32	0.14	M5	10-32 UNF-2A
3/4	0.5	1.5	1.19	0.23	-	0.14	-	-	-	M5	10-32	0.14	M5	10-32 UNF-2A
7/8	0.5	1.5	1.19	-	-	-	-	-	8-32x0.44	M5	10-32	0.14	M5	10-32 UNF-2A
1	0.5	1.5	1.19	-	-	-	-	8-32x0.44	-	M5	10-32	0.14	M5	10-32 UNF-2A
1 1/8	0.5	1.5	1.19	-	-	-	-	-	8-32x0.44	M5	10-32	0.14	M5	10-32 UNF-2A
1 1/4	0.5	1.5	1.19	-	-	-	-	8-32x0.44	-	M5	10-32	0.14	M5	10-32 UNF-2A
1 3/8	0.5	1.5	1.19	-	-	-	-	-	8-32x0.44	M5	10-32	0.14	M5	10-32 UNF-2A
1 1/2	0.5	1.5	1.19	-	-	-	-	8-32x0.44	-	M5	10-32	0.14	M5	10-32 UNF-2A
1 7/8	0.5	1.5	1.19	-	-	-	-	-	8-32x0.44	M5	10-32	0.14	M5	10-32 UNF-2A
2	0.5	1.5	1.19	-	-	-	-	8-32x0.44	-	M5	10-32	0.14	M5	10-32 UNF-2A
2 7/8	0.5	1.5	1.19	-	-	-	-	-	8-32x0.44	M5	10-32	0.14	M5	10-32 UNF-2A
3	0.5	1.5	1.19	-	-	-	-	8-32x0.44	-	M5	10-32	0.14	M5	10-32 UNF-2A
3 7/8	0.5	1.5	1.19	-	-	-	-	-	8-32x0.44	M5	10-32	0.14	M5	10-32 UNF-2A
4	0.5	1.5	1.19	-	-	-	-	8-32x0.44	-	M5	10-32	0.14	M5	10-32 UNF-2A

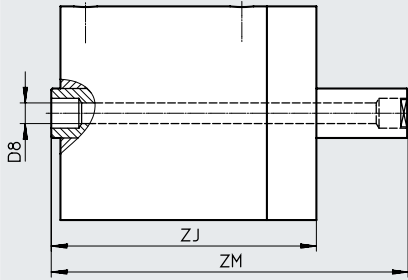
Stroke [in]	L8		MM ∅	PL1	PL2	T1		W1	W2	WH	ZM		∅ 1
		[Q]					[Q]					[Q]	
1/16	0.87	-	0.31	0.33	0.33	0.14	-	90°	-	0.13	1.1925	-	0.25
1/8	0.87	1	0.31	0.33	0.33	0.14	0.14	90°	-	0.13	1.255	1.385	0.25
1/4	1	1.12	0.31	0.33	0.33	0.14	0.14	90°	-	0.13	1.51	1.63	0.25
3/8	1.12	1.25	0.31	0.33	0.33	0.14	0.14	90°	-	0.13	1.755	1.885	0.25
1/2	1.25	1.37	0.31	0.33	0.33	0.14	0.14	90°	-	0.13	2.01	2.13	0.25
5/8	1.37	1.5	0.31	0.33	0.33	0.14	0.14	90°	-	0.13	2.255	2.385	0.25
3/4	1.5	-	0.31	0.33	0.33	0.14	-	90°	-	0.13	2.51	-	0.25
7/8	-	1.75	0.31	0.33	0.33	-	-	90°	-	0.13	-	2.885	0.25
1	1.75	-	0.31	0.33	0.33	-	-	90°	-	0.13	3.01	-	0.25
1 1/8	-	2	0.31	0.33	0.33	-	-	90°	-	0.13	-	3.385	0.25
1 1/4	2	-	0.31	0.33	0.33	-	-	90°	-	0.13	3.51	-	0.25
1 3/8	-	2.25	0.31	0.33	0.33	-	-	90°	-	0.13	-	3.885	0.25
1 1/2	2.25	-	0.31	0.33	0.33	-	-	90°	-	0.13	4.01	-	0.25
1 7/8	-	2.75	0.31	0.33	0.33	-	-	90°	-	0.13	-	4.885	0.25
2	2.75	-	0.31	0.33	0.33	-	-	90°	-	0.13	5.01	-	0.25
2 7/8	-	3.75	0.31	0.33	0.33	-	-	90°	-	0.13	-	6.885	0.25
3	3.75	-	0.31	0.33	0.33	-	-	90°	-	0.13	7.01	-	0.25
3 7/8	-	4.75	0.31	0.33	0.33	-	-	90°	-	0.13	-	8.885	0.25
4	4.75	-	0.31	0.33	0.33	-	-	90°	-	0.13	9.01	-	0.25

Datasheet

Dimensions – piston diameter 3/4

Download CAD data → www.festo.com

[H] Through, hollow piston rod



Stroke [in]	D8 ∅	ZJ		ZM	
			[Q]		[Q]
1/16	1/16	1	–	1.1925	–
1/8	1/16	1	1.13	1.255	1.385
1/4	1/16	1.13	1.25	1.51	1.63
3/8	1/16	1.25	1.38	1.755	1.885
1/2	1/16	1.38	1.5	2.01	2.13
5/8	1/16	1.5	1.63	2.255	2.385
3/4	1/16	1.63	–	2.51	–
7/8	1/16	–	1.88	–	2.885
1	1/16	1.88	–	3.01	–
1 1/8	1/16	–	2.13	–	3.385
1 1/4	1/16	2.13	–	3.51	–
1 3/8	1/16	–	2.38	–	3.885
1 1/2	1/16	2.38	–	4.01	–
1 7/8	1/16	–	2.88	–	4.885
2	1/16	2.88	–	5.01	–
2 7/8	1/16	–	3.88	–	6.885
3	1/16	3.88	–	7.01	–
3 7/8	1/16	–	4.88	–	8.885
4	1/16	4.88	–	9.01	–

Datasheet

Dimensions – piston diameter 3/4

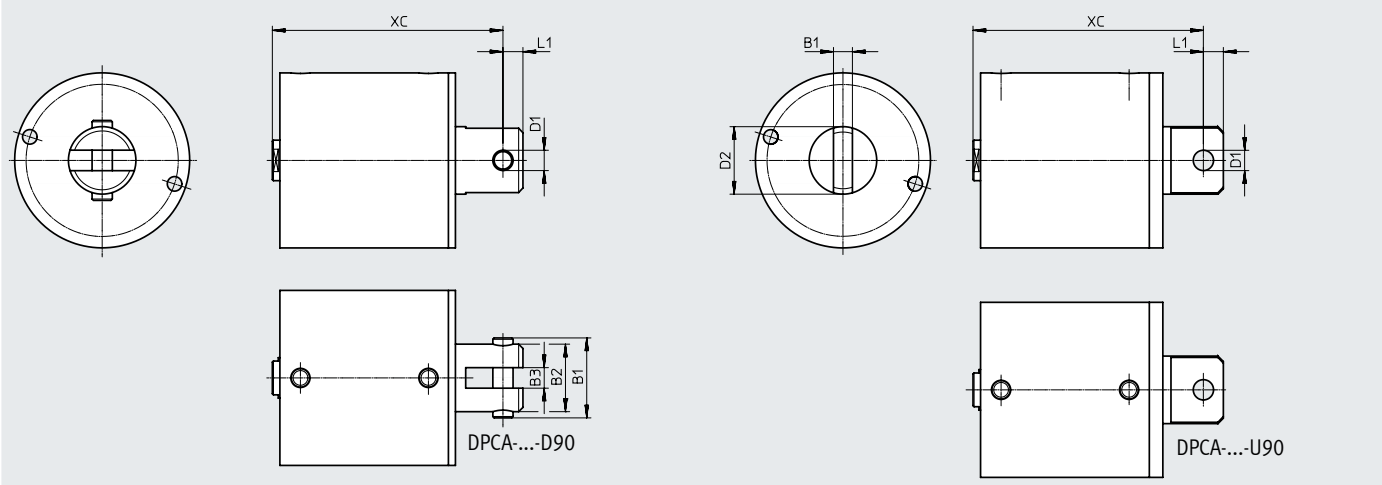
Download CAD data → www.festo.com

[D] With swivel clevis

[U] With swiveling rod eye

[D90] With swivel clevis, rotated 90°

[U90] With swiveling rod eye, rotated 90°



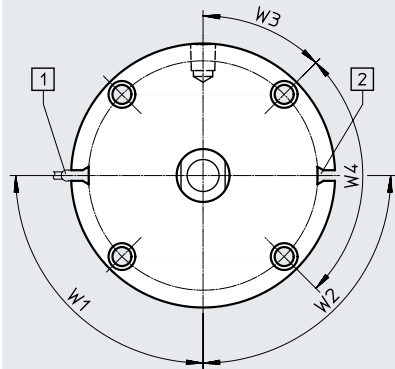
Stroke [in]	B1		B2	B3	D1 ∅		D2 ∅	L1	XC	
	[D/D90]	[U/U90]			[D/D90]	[U/U90]				[Q/L4]
1/16	0.83	0.23	0.63	0.25	0.25	0.251	0.63	0.25	1.27	–
1/8	0.83	0.23	0.63	0.25	0.25	0.251	0.63	0.25	1.27	1.4
1/4	0.83	0.23	0.63	0.25	0.25	0.251	0.63	0.25	1.4	1.52
3/8	0.83	0.23	0.63	0.25	0.25	0.251	0.63	0.25	1.52	1.65
1/2	0.83	0.23	0.63	0.25	0.25	0.251	0.63	0.25	1.65	1.8
5/8	0.83	0.23	0.63	0.25	0.25	0.251	0.63	0.25	1.8	1.93
3/4	0.83	0.23	0.63	0.25	0.25	0.251	0.63	0.25	1.93	–
1	0.83	0.23	0.63	0.25	0.25	0.251	0.63	0.25	2.27	
1 1/4	0.83	0.23	0.63	0.25	0.25	0.251	0.63	0.25	2.52	
1 1/2	0.83	0.23	0.63	0.25	0.25	0.251	0.63	0.25	2.77	
2	0.83	0.23	0.63	0.25	0.25	0.251	0.63	0.25	3.4	
3	0.83	0.23	0.63	0.25	0.25	0.251	0.63	0.25	4.4	
4	0.83	0.23	0.63	0.25	0.25	0.251	0.63	0.25	5.4	

Datasheet

Dimensions – piston diameter 3/4

Download CAD data → www.festo.com

[A] For proximity switch



- [1] Sensor
- [2] Sensor slot

Stroke [in]	Sensor slot number	W1	W2	W3	W4
1/4	2	65°	65°	90°	–
3/8	2	65°	65°	90°	–
1/2	2	65°	65°	90°	–
5/8	2	65°	65°	90°	–
3/4	2	65°	65°	90°	–
1	2	65°	65°	90°	–
1 1/4	2	65°	65°	90°	–
1 1/2	2	65°	65°	90°	–
2	1	65°	–	90°	–
3	1	65°	–	90°	–
4	1	65°	–	90°	–

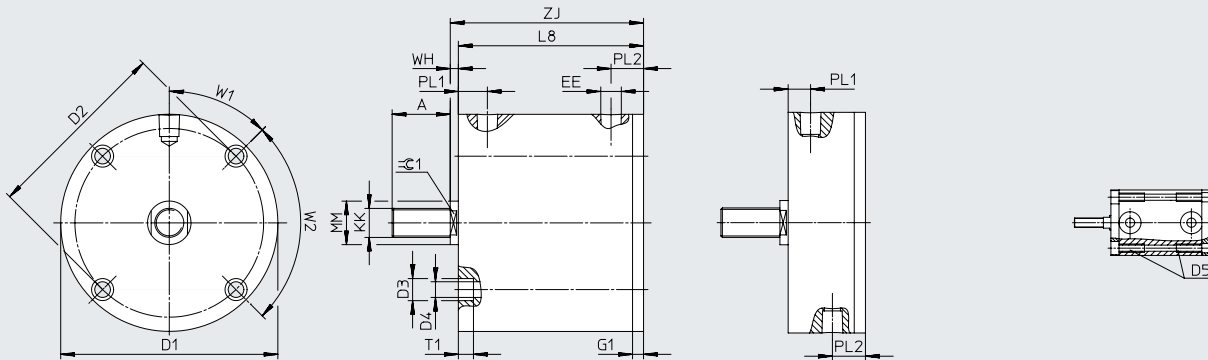
Datasheet

Dimensions – piston diameter 1 1/8"

Download CAD data → www.festo.com

- DPCA-...-1/16" ... 3/8"
- DPCA-...-L4-...-1/8" ... 1/4"
- DPCA-...-Q-...-1/8" ... 1/4"
- DPCA-...-Q-L4-...-1/8" ... 1/4"

- DPCA-...-3" ... 4"
- DPCA-...-L4-...-2 7/8" ... 3 7/8"
- DPCA-...-Q-...-3" ... 4"
- DPCA-...-Q-L4-...-2 7/8" ... 3 7/8"



Stroke [in]	A	D1 ø	D2 ø	D3 ø	D4 ø	D5	EE		G1	KK	
								[N]			[N]
1/16	0.75	1.99	1.69	0.32	0.2	-	G1/8	1/8 NPT	0.13	M8	5/16-24 UNF-2A
1/8	0.75	1.99	1.69	0.32	0.2	-	G1/8	1/8 NPT	0.13	M8	5/16-24 UNF-2A
3/16	0.75	1.99	1.69	0.32	0.2	-	G1/8	1/8 NPT	0.13	M8	5/16-24 UNF-2A
1/4	0.75	1.99	1.69	0.32	0.2	-	G1/8	1/8 NPT	0.13	M8	5/16-24 UNF-2A
3/8	0.75	1.99	1.69	0.32	0.2	-	G1/8	1/8 NPT	0.13	M8	5/16-24 UNF-2A
1/2	0.75	1.99	1.69	0.32	0.2	-	G1/8	1/8 NPT	0.13	M8	5/16-24 UNF-2A
5/8	0.75	1.99	1.69	0.32	0.2	-	G1/8	1/8 NPT	0.13	M8	5/16-24 UNF-2A
3/4	0.75	1.99	1.69	0.32	0.2	-	G1/8	1/8 NPT	0.13	M8	5/16-24 UNF-2A
7/8	0.75	1.99	1.69	0.32	0.2	-	G1/8	1/8 NPT	0.13	M8	5/16-24 UNF-2A
1	0.75	1.99	1.69	0.32	0.2	-	G1/8	1/8 NPT	0.13	M8	5/16-24 UNF-2A
1 1/8	0.75	1.99	1.69	0.32	0.2	-	G1/8	1/8 NPT	0.13	M8	5/16-24 UNF-2A
1 1/4	0.75	1.99	1.69	0.32	0.2	-	G1/8	1/8 NPT	0.13	M8	5/16-24 UNF-2A
1 3/8	0.75	1.99	1.69	0.32	0.2	-	G1/8	1/8 NPT	0.13	M8	5/16-24 UNF-2A
1 1/2	0.75	1.99	1.69	0.32	0.2	-	G1/8	1/8 NPT	0.13	M8	5/16-24 UNF-2A
1 5/8	0.75	1.99	1.69	0.32	0.2	-	G1/8	1/8 NPT	0.13	M8	5/16-24 UNF-2A
1 3/4	0.75	1.99	1.69	0.32	0.2	-	G1/8	1/8 NPT	0.13	M8	5/16-24 UNF-2A
1 7/8	0.75	1.99	1.69	0.32	0.2	-	G1/8	1/8 NPT	0.13	M8	5/16-24 UNF-2A
2	0.75	1.99	1.69	0.32	0.2	-	G1/8	1/8 NPT	0.13	M8	5/16-24 UNF-2A
2 7/8	0.75	1.99	1.69	-	-	10-32x0.5	G1/8	1/8 NPT	0.13	M8	5/16-24 UNF-2A
3	0.75	1.99	1.69	-	-	10-32x0.5	G1/8	1/8 NPT	0.13	M8	5/16-24 UNF-2A
3 7/8	0.75	1.99	1.69	-	-	10-32x0.5	G1/8	1/8 NPT	0.13	M8	5/16-24 UNF-2A
4	0.75	1.99	1.69	-	-	10-32x0.5	G1/8	1/8 NPT	0.13	M8	5/16-24 UNF-2A

Datasheet

Stroke [in]	L8			MM ∅	PL1			PL2					
		[L4]	[Q]		[Q-L4]		[L4]	[Q]	[Q-L4]		[L4]	[Q]	[Q-L4]
1/16	-	0.88	-	0.88	0.5	-	0.31	-	0.31	-	0.57	-	0.57
1/8	0.88	0.88	0.88	0.88	0.5	0.31	0.31	0.31	0.31	0.57	0.57	0.57	0.57
3/16	0.88	-	0.88	-	0.5	0.31	-	0.31	-	0.57	-	0.57	-
1/4	0.88	-	0.88	-	0.5	0.31	-	0.31	-	0.57	-	0.57	-
3/8	-	1.19	-	1.19	0.5	-	0.53	-	0.53	-	0.66	-	0.66
1/2	1.19	-	1.19	-	0.5	0.53	-	0.53	-	0.66	-	0.66	-
5/8	-	1.63	-	1.63	0.5	-	0.38	-	0.38	-	0.5	-	0.5
3/4	1.63	-	1.63	-	0.5	0.38	-	0.38	-	0.5	-	0.5	-
7/8	-	1.88	-	1.88	0.5	-	0.38	-	0.38	-	0.5	-	0.5
1	1.88	-	1.88	-	0.5	0.38	-	0.38	-	0.5	-	0.5	-
1 1/8	-	2.13	-	2.13	0.5	-	0.38	-	0.38	-	0.5	-	0.5
1 1/4	2.13	-	2.13	-	0.5	0.38	-	0.38	-	0.5	-	0.5	-
1 3/8	-	2.38	-	2.38	0.5	-	0.38	-	0.38	-	0.5	-	0.5
1 1/2	2.38	-	2.38	-	0.5	0.38	-	0.38	-	0.5	-	0.5	-
1 5/8	-	2.81	-	2.81	0.5	-	0.56	-	0.56	-	0.5	-	0.5
1 3/4	2.81	-	2.81	-	0.5	0.56	-	0.56	-	0.5	-	0.5	-
1 7/8	-	3.25	-	3.25	0.5	-	0.75	-	0.75	-	0.5	-	0.5
2	3.25	-	3.25	-	0.5	0.75	-	0.75	-	0.5	-	0.5	-
2 7/8	-	3.85	-	3.85	0.5	-	0.38	-	0.38	-	0.5	-	0.5
3	3.85	-	3.85	-	0.5	0.38	-	0.38	-	0.5	-	0.5	-
3 7/8	-	4.85	-	4.85	0.5	-	0.38	-	0.38	-	0.5	-	0.5
4	4.85	-	4.85	-	0.5	0.38	-	0.38	-	0.5	-	0.5	-

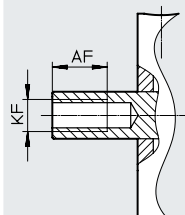
Stroke [in]	T1	W1	W2	WH	Z)			≈ 1	
						[L4]	[Q]		[Q-L4]
1/16	0.19	90°	-	0.14	-	1.02	-	1.02	0.44
1/8	0.19	90°	-	0.14	1.02	1.02	1.02	1.02	0.44
3/16	0.19	90°	-	0.14	1.02	-	1.02	-	0.44
1/4	0.19	90°	-	0.14	1.02	-	1.02	-	0.44
3/8	0.19	90°	-	0.14	-	1.33	-	1.33	0.44
1/2	0.19	90°	-	0.14	1.33	-	1.33	-	0.44
5/8	0.19	90°	-	0.14	-	1.77	-	1.77	0.44
3/4	0.19	90°	-	0.14	1.77	-	1.77	-	0.44
7/8	0.19	90°	-	0.14	-	2.02	-	2.02	0.44
1	0.19	90°	-	0.14	2.02	-	2.02	-	0.44
1 1/8	0.19	90°	-	0.14	-	2.27	-	2.27	0.44
1 1/4	0.19	90°	-	0.14	2.27	-	2.27	-	0.44
1 3/8	0.19	90°	-	0.14	-	2.52	-	2.52	0.44
1 1/2	0.19	90°	-	0.14	2.52	-	2.52	-	0.44
1 5/8	0.19	90°	-	0.14	-	2.95	-	2.95	0.44
1 3/4	0.19	90°	-	0.14	2.95	-	2.95	-	0.44
1 7/8	0.19	90°	-	0.14	-	3.39	-	3.39	0.44
2	0.19	90°	-	0.14	3.39	-	3.39	-	0.44
2 7/8	-	90°	-	0.14	-	3.99	-	3.99	0.44
3	-	90°	-	0.14	3.99	-	3.99	-	0.44
3 7/8	-	90°	-	0.14	-	4.99	-	4.99	0.44
4	-	90°	-	0.14	4.99	-	4.99	-	0.44

Datasheet

Dimensions – piston diameter 1 1/8

Download CAD data → www.festo.com

[F] Internal thread



Stroke [in]	AF	AF				KF	
		[L4]	[Q]	[Q-L4]		[N]	
1/16	–	0.38	–	0.38	M8	5/16-24 UNF-2B	
1/8	0.38	0.38	0.38	0.38	M8	5/16-24 UNF-2B	
3/16	0.38	–	0.38	–	M8	5/16-24 UNF-2B	
1/4	0.38	–	0.38	–	M8	5/16-24 UNF-2B	
3/8	–	0.38	–	0.38	M8	5/16-24 UNF-2B	
1/2	0.38	–	0.38	–	M8	5/16-24 UNF-2B	
5/8	–	0.63	–	0.63	M8	5/16-24 UNF-2B	
3/4	0.63	–	0.63	–	M8	5/16-24 UNF-2B	
7/8	–	0.63	–	0.63	M8	5/16-24 UNF-2B	
1	0.63	–	0.63	–	M8	5/16-24 UNF-2B	
1 1/8	–	0.63	–	0.63	M8	5/16-24 UNF-2B	
1 1/4	0.63	–	0.63	–	M8	5/16-24 UNF-2B	
1 3/8	–	0.63	–	0.63	M8	5/16-24 UNF-2B	
1 1/2	0.63	–	0.63	–	M8	5/16-24 UNF-2B	
1 5/8	–	0.63	–	0.63	M8	5/16-24 UNF-2B	
1 3/4	0.63	–	0.63	–	M8	5/16-24 UNF-2B	
1 7/8	–	0.63	–	0.63	M8	5/16-24 UNF-2B	
2	0.63	–	0.63	–	M8	5/16-24 UNF-2B	
2 7/8	–	0.63	–	0.63	M8	5/16-24 UNF-2B	
3	0.63	–	0.63	–	M8	5/16-24 UNF-2B	
3 7/8	–	0.63	–	0.63	M8	5/16-24 UNF-2B	
4	0.63	–	0.63	–	M8	5/16-24 UNF-2B	

Datasheet

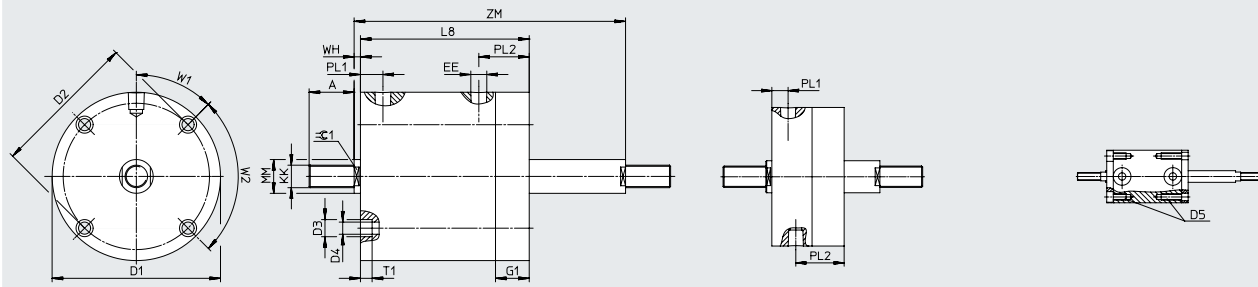
Dimensions – piston diameter 1 1/8

Download CAD data → www.festo.com

[T] Through piston rod

DPCA-...-1/8" ...1/2"
DPCA-...-Q-...-1/8" ...1/2"

DPCA-...-3" ...4"
DPCA-...-Q-...-3" ...4"



Stroke [in]	A	D1 ø	D2 ø	D3 ø	D4 ø	D5	EE		G1	KK	
								[N]			[N]
1/8	0.75	1.99	1.69	0.32	0.2	-	G1/8	1/8 NPT	0.47	M8	5/16-24 UNF-2A
3/16	0.75	1.99	1.69	0.32	0.2	-	G1/8	1/8 NPT	0.47	M8	5/16-24 UNF-2A
1/4	0.75	1.99	1.69	0.32	0.2	-	G1/8	1/8 NPT	0.47	M8	5/16-24 UNF-2A
1/2	0.75	1.99	1.69	0.32	0.2	-	G1/8	1/8 NPT	0.47	M8	5/16-24 UNF-2A
3/4	0.75	1.99	1.69	0.32	0.2	-	G1/8	1/8 NPT	0.47	M8	5/16-24 UNF-2A
1	0.75	1.99	1.69	0.32	0.2	-	G1/8	1/8 NPT	0.47	M8	5/16-24 UNF-2A
1 1/4	0.75	1.99	1.69	0.32	0.2	-	G1/8	1/8 NPT	0.47	M8	5/16-24 UNF-2A
1 1/2	0.75	1.99	1.69	0.32	0.2	-	G1/8	1/8 NPT	0.47	M8	5/16-24 UNF-2A
1 3/4	0.75	1.99	1.69	0.32	0.2	-	G1/8	1/8 NPT	0.47	M8	5/16-24 UNF-2A
2	0.75	1.99	1.69	0.32	0.2	-	G1/8	1/8 NPT	0.47	M8	5/16-24 UNF-2A
3	0.75	1.99	1.69	-	-	10-32x0.5	G1/8	1/8 NPT	0.47	M8	5/16-24 UNF-2A
4	0.75	1.99	1.69	-	-	10-32x0.5	G1/8	1/8 NPT	0.47	M8	5/16-24 UNF-2A

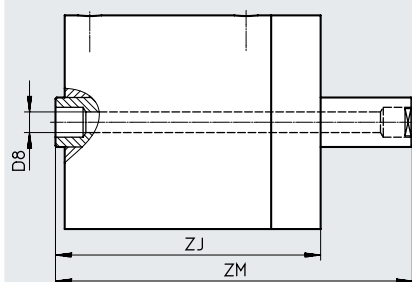
Stroke [in]	L8	MM ø	PL1	PL2	T1	W1	W2	WH	ZM	⊖ 1
1/8	1.22	0.5	0.31	0.91	0.18	90°	-	0.14	1.625	0.44
3/16	1.22	0.5	0.31	0.91	0.18	90°	-	0.14	1.6875	0.44
1/4	1.22	0.5	0.31	0.91	0.18	90°	-	0.14	1.75	0.44
1/2	1.53	0.5	0.53	1	0.18	90°	-	0.14	2.31	0.44
3/4	1.97	0.5	0.38	0.84	0.18	90°	-	0.14	3	0.44
1	2.22	0.5	0.38	0.84	0.18	90°	-	0.14	3.5	0.44
1 1/4	2.47	0.5	0.38	0.84	0.18	90°	-	0.14	4	0.44
1 1/2	2.72	0.5	0.38	0.84	0.18	90°	-	0.14	4.5	0.44
1 3/4	3.16	0.5	0.56	0.85	0.18	90°	-	0.14	5.19	0.44
2	3.6	0.5	0.75	0.85	0.18	90°	-	0.14	5.88	0.44
3	4.19	0.5	0.38	0.84	-	90°	-	0.14	7.47	0.44
4	5.19	0.5	0.38	0.84	-	90°	-	0.14	9.47	0.44

Datasheet

Dimensions – piston diameter 1 1/8

Download CAD data → www.festo.com

[H] Through, hollow piston rod

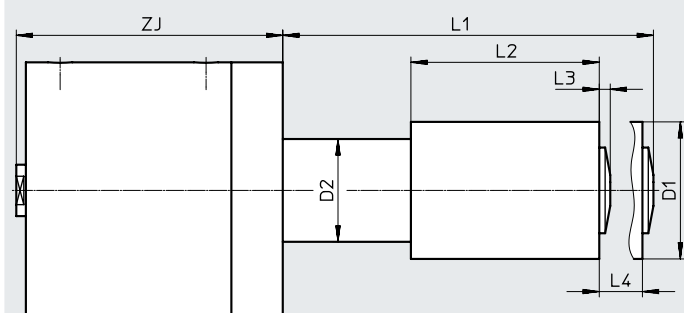


Stroke [in]	D8 ø	ZJ	ZM
1/8	5/32	1.36	1.625
3/16	5/32	1.36	1.6875
1/4	5/32	1.36	1.75
1/2	5/32	1.67	2.31
3/4	5/32	2.11	3
1	5/32	2.36	3.5
1 1/4	5/32	2.61	4
1 1/2	5/32	2.86	4.5
1 3/4	5/32	3.3	5.19
2	5/32	3.74	5.88
3	5/32	4.33	7.47
4	5/32	5.33	9.47

Dimensions – piston diameter 1 1/8

Download CAD data → www.festo.com

[E] Stroke adjustment



Stroke [in]	D1 ø	D2 ø	L1	L2	L3	L4	ZJ
1/8	1.5	1.13	1.4	0.63	0.14	0.5	1.36
3/16	1.5	1.13	1.53	0.69	0.15	0.5	1.36
1/4	1.5	1.13	1.66	0.75	0.16	0.5	1.36
1/2	1.5	1.13	2.16	1	0.16	0.5	1.67
3/4	1.5	1.13	2.66	1.25	0.16	0.5	2.11
1	1.5	1.13	3.16	1.5	0.16	0.5	2.36
1 1/4	1.5	1.13	3.66	1.75	0.16	0.5	2.61
1 1/2	1.5	1.13	4.16	2	0.16	0.5	2.86
1 3/4	1.5	1.13	4.66	2.25	0.16	0.5	3.3
2	1.5	1.13	5.16	2.5	0.16	0.5	3.74
3	1.5	1.13	7.16	3.5	0.16	0.5	4.33
4	1.5	1.13	9.16	4.5	0.16	0.5	5.33

Datasheet

Dimensions – piston diameter 1 1/8

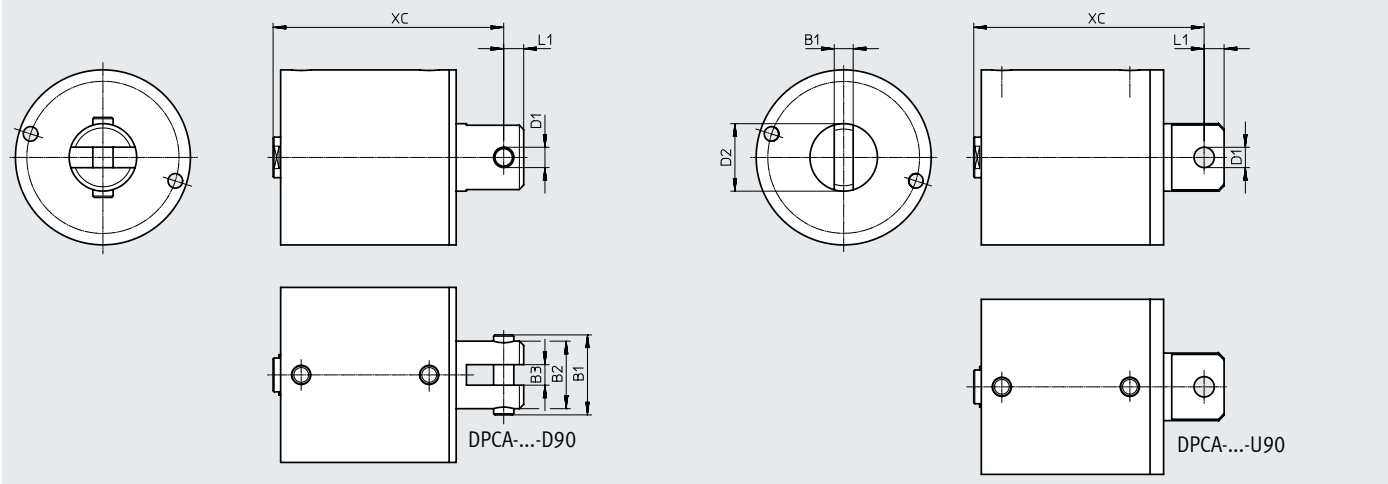
Download CAD data → www.festo.com

[D] With swivel clevis

[U] With swiveling rod eye

[D90] With swivel clevis, rotated 90°

[U90] With swiveling rod eye, rotated 90°



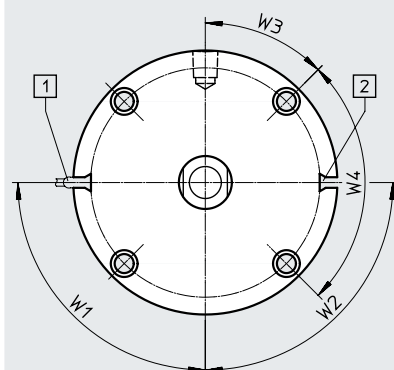
Stroke [in]	B1		B2	B3	D1 ∅		D2 ∅	L1	XC			
	[D/D90]	[U/U90]			[D/D90]	[U/U90]			[L4]	[Q]	[Q-L4]	
1/16	1.21	0.3	1	0.31	0.3125	0.3135	1	0.37	-	1.83	-	1.83
1/8	1.21	0.3	1	0.31	0.3125	0.3135	1	0.37	1.83	1.83	1.83	1.83
3/16	1.21	0.3	1	0.31	0.3125	0.3135	1	0.37	1.83	-	1.83	-
1/4	1.21	0.3	1	0.31	0.3125	0.3135	1	0.37	1.83	-	1.83	-
3/8	1.21	0.3	1	0.31	0.3125	0.3135	1	0.37	-	2.14	-	2.14
1/2	1.21	0.3	1	0.31	0.3125	0.3135	1	0.37	2.14	-	2.14	-
5/8	1.21	0.3	1	0.31	0.3125	0.3135	1	0.37	-	2.58	-	2.58
3/4	1.21	0.3	1	0.31	0.3125	0.3135	1	0.37	2.58	-	2.58	-
7/8	1.21	0.3	1	0.31	0.3125	0.3135	1	0.37	-	2.83	-	2.83
1	1.21	0.3	1	0.31	0.3125	0.3135	1	0.37	2.83	-	2.83	-
1 1/8	1.21	0.3	1	0.31	0.3125	0.3135	1	0.37	-	3.08	-	3.08
1 1/4	1.21	0.3	1	0.31	0.3125	0.3135	1	0.37	3.08	-	3.08	-
1 3/8	1.21	0.3	1	0.31	0.3125	0.3135	1	0.37	-	3.33	-	3.33
1 1/2	1.21	0.3	1	0.31	0.3125	0.3135	1	0.37	3.33	-	3.33	-
1 5/8	1.21	0.3	1	0.31	0.3125	0.3135	1	0.37	-	3.76	-	3.76
1 3/4	1.21	0.3	1	0.31	0.3125	0.3135	1	0.37	3.76	-	3.76	-
1 7/8	1.21	0.3	1	0.31	0.3125	0.3135	1	0.37	-	4.2	-	4.2
2	1.21	0.3	1	0.31	0.3125	0.3135	1	0.37	4.2	-	4.2	-
2 7/8	1.21	0.3	1	0.31	0.3125	0.3135	1	0.37	-	4.8	-	4.8
3	1.21	0.3	1	0.31	0.3125	0.3135	1	0.37	4.8	-	4.8	-
3 7/8	1.21	0.3	1	0.31	0.3125	0.3135	1	0.37	-	5.8	-	5.8
4	1.21	0.3	1	0.31	0.3125	0.3135	1	0.37	5.8	-	5.8	-

Datasheet

Dimensions – piston diameter 1 1/8

Download CAD data → www.festo.com

[A] For proximity switch



[1] Sensor
[2] Sensor slot

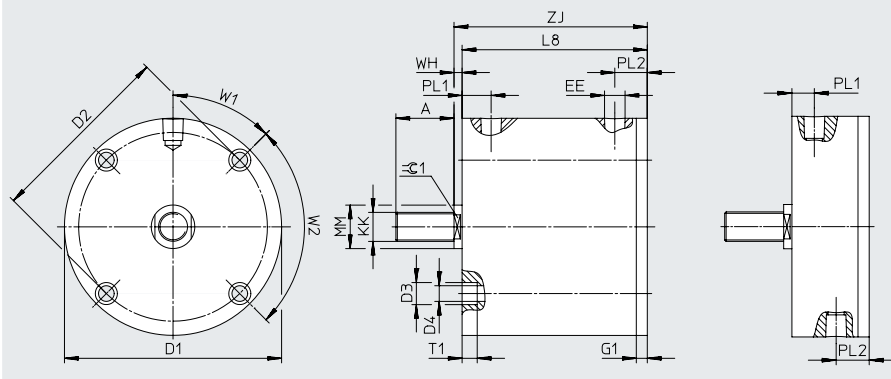
Stroke [in]	Sensor slot number				W1	W2				W3	W4
		[L4]	[Q]	[Q-L4]			[L4]	[Q]	[Q-L4]		
3/8	–	2	–	–	40°	–	40°	–	–	90°	–
1/2	2	–	–	–	40°	40°	–	–	–	90°	–
5/8	–	2	–	2	40°	–	40°	–	40°	90°	–
3/4	2	–	2	–	40°	40°	–	40°	–	90°	–
7/8	–	2	–	2	40°	–	40°	–	40°	90°	–
1	2	–	2	–	40°	40°	–	40°	–	90°	–
1 1/8	–	1	–	2	40°	–	–	–	40°	90°	–
1 1/4	2	–	2	–	40°	40°	–	40°	–	90°	–
1 3/8	–	1	–	2	40°	–	–	–	40°	90°	–
1 1/2	1	–	1	–	40°	–	–	–	–	90°	–
1 5/8	–	1	–	1	40°	–	–	–	–	90°	–
1 3/4	1	–	1	–	40°	–	–	–	–	90°	–
1 7/8	–	1	–	1	40°	–	–	–	–	90°	–
2	1	–	1	–	40°	–	–	–	–	90°	–
2 7/8	–	1	–	1	40°	–	–	–	–	90°	–
3	1	–	1	–	40°	–	–	–	–	90°	–
3 7/8	–	1	–	1	40°	–	–	–	–	90°	–
4	1	–	1	–	40°	–	–	–	–	90°	–

Datasheet

Dimensions – piston diameter 1 5/8

Download CAD data → www.festo.com

DPCA-...-1/8" ...1/4"
 DPCA-...-Q-...-1/8" ...1/4"



Stroke [in]	A	D1 ø	D2 ø	D3 ø	D4 ø	EE		G1				KK	
							[N]		[L4]	[Q]	[Q-L4]		[N]
1/8	0.88	2.74	2.38	0.32	0.2	G1/8	1/8 NPT	0.13	-	0.25	-	M10	3/8-24 UNF-2A
1/4	0.88	2.74	2.38	0.32	0.2	G1/8	1/8 NPT	0.13	0.13	0.25	0.25	M10	3/8-24 UNF-2A
1/2	0.88	2.74	2.38	0.32	0.2	G1/8	1/8 NPT	0.13	0.13	0.25	0.25	M10	3/8-24 UNF-2A
3/4	0.88	2.74	2.38	0.32	0.2	G1/8	1/8 NPT	0.13	0.13	0.25	0.25	M10	3/8-24 UNF-2A
1	0.88	2.74	2.38	0.32	0.2	G1/8	1/8 NPT	0.13	-	0.25	-	M10	3/8-24 UNF-2A
1 1/4	0.88	2.74	2.38	0.32	0.2	G1/8	1/8 NPT	-	0.13	-	0.25	M10	3/8-24 UNF-2A
1 1/2	0.88	2.74	2.38	0.32	0.2	G1/8	1/8 NPT	0.13	-	0.25	-	M10	3/8-24 UNF-2A
1 3/4	0.88	2.74	2.38	0.32	0.2	G1/8	1/8 NPT	-	0.13	-	0.25	M10	3/8-24 UNF-2A
2	0.88	2.74	2.38	0.32	0.2	G1/8	1/8 NPT	0.13	-	0.25	-	M10	3/8-24 UNF-2A
2 3/4	0.88	2.74	2.38	0.32	0.2	G1/8	1/8 NPT	-	0.13	-	0.25	M10	3/8-24 UNF-2A
3	0.88	2.74	2.38	0.32	0.2	G1/8	1/8 NPT	0.13	-	0.25	-	M10	3/8-24 UNF-2A
3 3/4	0.88	2.74	2.38	0.32	0.2	G1/8	1/8 NPT	-	0.13	-	0.25	M10	3/8-24 UNF-2A
4	0.88	2.74	2.38	0.32	0.2	G1/8	1/8 NPT	0.13	-	0.25	-	M10	3/8-24 UNF-2A

Stroke [in]	L8				MM ø	PL1				PL2			
		[L4]	[Q]	[Q-L4]			[L4]	[Q]	[Q-L4]		[L4]	[Q]	[Q-L4]
1/8	1	-	1.13	-	0.62	0.5	-	0.5	-	0.5	-	0.63	-
1/4	1.13	1.63	1.26	1.76	0.62	0.5	0.38	0.5	0.38	0.63	0.5	0.63	0.63
1/2	1.68	1.88	1.76	2.01	0.62	0.38	0.38	0.38	0.38	0.5	0.45	0.63	0.58
3/4	1.88	2.19	2.01	2.32	0.62	0.38	0.38	0.38	0.38	0.5	0.5	0.63	0.63
1	2.19	-	2.32	-	0.62	0.38	-	0.38	-	0.5	-	0.63	-
1 1/4	-	2.69	-	2.82	0.62	-	0.38	-	0.38	-	0.5	-	0.63
1 1/2	2.69	-	2.82	-	0.62	0.38	-	0.38	-	0.5	-	0.63	-
1 3/4	-	3.19	-	3.32	0.62	-	0.38	-	0.38	-	0.5	-	0.63
2	3.19	-	3.32	-	0.62	0.38	-	0.38	-	0.5	-	0.63	-
2 3/4	-	4.19	-	4.32	0.62	-	0.38	-	0.38	-	0.5	-	0.63
3	4.19	-	4.32	-	0.62	0.38	-	0.38	-	0.5	-	0.63	-
3 3/4	-	5.19	-	5.32	0.62	-	0.38	-	0.38	-	0.5	-	0.63
4	5.19	-	5.32	-	0.62	0.38	-	0.38	-	0.5	-	0.63	-

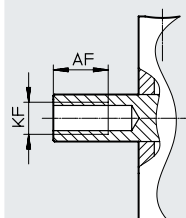
Datasheet

Stroke [in]	T1	W1	W2	WH	ZJ			⊖ 1	
					[L4]	[Q]	[Q-L4]		
1/8	0.19	90°	–	0.14	1.14	–	1.27	–	0.5
1/4	0.19	90°	–	0.14	1.27	1.77	1.4	1.9	0.5
1/2	0.19	90°	–	0.14	1.77	2.02	1.9	2.15	0.5
3/4	0.19	90°	–	0.14	2.02	2.33	2.15	2.46	0.5
1	0.19	90°	–	0.14	2.33	–	2.46	–	0.5
1 1/4	0.19	90°	–	0.14	–	2.83	–	2.96	0.5
1 1/2	0.19	90°	–	0.14	2.83	–	2.96	–	0.5
1 3/4	0.19	90°	–	0.14	–	3.33	–	3.46	0.5
2	0.19	90°	–	0.14	3.33	–	3.46	–	0.5
2 3/4	0.19	90°	–	0.14	–	4.33	–	4.46	0.5
3	0.19	90°	–	0.14	4.33	–	4.46	–	0.5
3 3/4	0.19	90°	–	0.14	–	5.33	–	5.46	0.5
4	0.19	90°	–	0.14	5.33	–	5.46	–	0.5

Dimensions – piston diameter 1 5/8

Download CAD data → www.festo.com

[F] Internal thread



Stroke [in]	AF	AF			KF	
		[L4]	[Q]	[Q-L4]		[N]
1/8	0.38	–	0.38	–	M10	3/8-24 UNF-2B
1/4	0.44	0.63	0.44	0.63	M10	3/8-24 UNF-2B
1/2	0.63	0.63	0.63	0.63	M10	3/8-24 UNF-2B
3/4	0.63	0.75	0.63	0.75	M10	3/8-24 UNF-2B
1	0.75	–	0.75	–	M10	3/8-24 UNF-2B
1 1/4	–	0.75	–	0.75	M10	3/8-24 UNF-2B
1 1/2	0.75	–	0.75	–	M10	3/8-24 UNF-2B
1 3/4	–	0.75	–	0.75	M10	3/8-24 UNF-2B
2	0.75	–	0.75	–	M10	3/8-24 UNF-2B
2 3/4	–	0.75	–	0.75	M10	3/8-24 UNF-2B
3	0.75	–	0.75	–	M10	3/8-24 UNF-2B
3 3/4	–	0.75	–	0.75	M10	3/8-24 UNF-2B
4	0.75	–	0.75	–	M10	3/8-24 UNF-2B

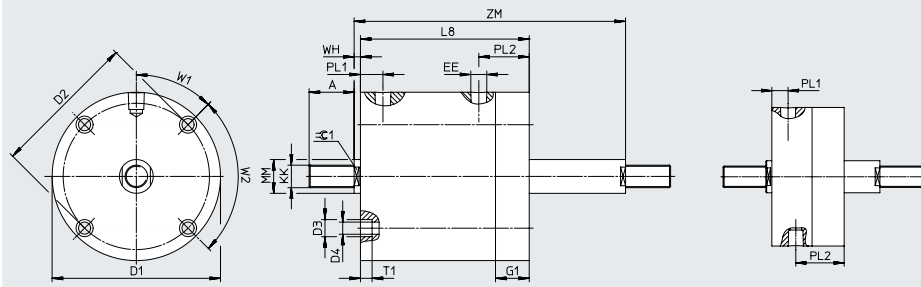
Datasheet

Dimensions – piston diameter 1 5/8

Download CAD data → www.festo.com

[T] Through piston rod

DPCA-...-1/8" ...1/4"
DPCA-...-Q-...-1/8" ...1/4"



Stroke [in]	A	D1 ∅	D2 ∅	D3 ∅	D4 ∅	EE		G1	KK	
							[N]			[N]
1/8	0.88	2.74	2.38	0.32	0.2	G1/8	1/8 NPT	0.6	M10	3/8-24 UNF-2A
1/4	0.88	2.74	2.38	0.32	0.2	G1/8	1/8 NPT	0.6	M10	3/8-24 UNF-2A
1/2	0.88	2.74	2.38	0.32	0.2	G1/8	1/8 NPT	0.6	M10	3/8-24 UNF-2A
3/4	0.88	2.74	2.38	0.32	0.2	G1/8	1/8 NPT	0.6	M10	3/8-24 UNF-2A
1	0.88	2.74	2.38	0.32	0.2	G1/8	1/8 NPT	0.6	M10	3/8-24 UNF-2A
1 1/2	0.88	2.74	2.38	0.32	0.2	G1/8	1/8 NPT	0.6	M10	3/8-24 UNF-2A
2	0.88	2.74	2.38	0.32	0.2	G1/8	1/8 NPT	0.6	M10	3/8-24 UNF-2A
3	0.88	2.74	2.38	0.32	0.2	G1/8	1/8 NPT	0.6	M10	3/8-24 UNF-2A
4	0.88	2.74	2.38	0.32	0.2	G1/8	1/8 NPT	0.6	M10	3/8-24 UNF-2A

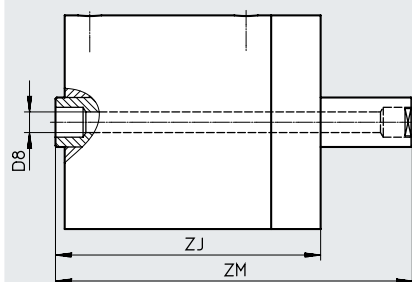
Stroke [in]	L8	MM ∅		PL1	PL2	T1	W1	W2	WH	ZM	⊙ 1
			[Q]								
1/8	1.47	0.62	0.5	0.5	0.97	0.19	90°	–	0.14	1.875	0.5
1/4	1.6	0.62	0.5	0.5	1.1	0.19	90°	–	0.14	2.13	0.5
1/2	2.1	0.62	0.5	0.38	0.97	0.19	90°	–	0.14	2.88	0.5
3/4	2.35	0.62	0.5	0.38	0.97	0.19	90°	–	0.14	3.38	0.5
1	2.66	0.62	0.5	0.38	0.97	0.19	90°	–	0.14	3.94	0.5
1 1/2	3.16	0.62	0.5	0.38	0.97	0.19	90°	–	0.14	4.94	0.5
2	3.66	0.62	0.5	0.38	0.97	0.19	90°	–	0.14	5.94	0.5
3	4.66	0.62	0.5	0.38	0.97	0.19	90°	–	0.14	7.94	0.5
4	5.66	0.62	0.5	0.38	0.97	0.19	90°	–	0.14	9.94	0.5

Datasheet

Dimensions – piston diameter 1 5/8

Download CAD data → www.festo.com

[H] Through, hollow piston rod

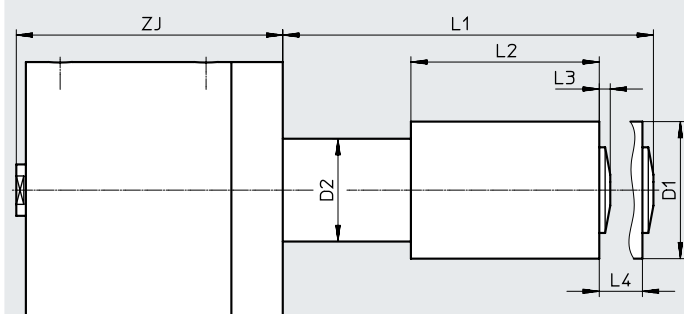


Stroke [in]	D8 ∅	ZJ	ZM
1/8	1/4	1.61	1.875
1/4	1/4	1.74	2.13
1/2	1/4	2.24	2.88
3/4	1/4	2.49	3.38
1	1/4	2.8	3.94
1 1/2	1/4	3.3	4.94
2	1/4	3.8	5.94
3	1/4	4.8	7.94
4	1/4	5.8	9.94

Dimensions – piston diameter 1 5/8

Download CAD data → www.festo.com

[E] Stroke adjustment



Stroke [in]	D1 ∅	D2 ∅	L1	L2	L3	L4	ZJ
1/8	2	1.5	1.4	0.63	0.14	0.5	1.61
1/4	2	1.5	1.66	0.75	0.16	0.5	1.74
1/2	2	1.5	2.16	1	0.16	0.5	2.24
3/4	2	1.5	2.66	1.25	0.16	0.5	2.49
1	2	1.5	3.16	1.5	0.16	0.5	2.8
1 1/2	2	1.5	4.16	2	0.16	0.5	3.3
2	2	1.5	5.16	2.5	0.16	0.5	3.8
3	2	1.5	7.16	3.5	0.16	0.5	4.8
4	2	1.5	9.16	4.5	0.16	0.5	5.8

Datasheet

Dimensions – piston diameter 1 5/8

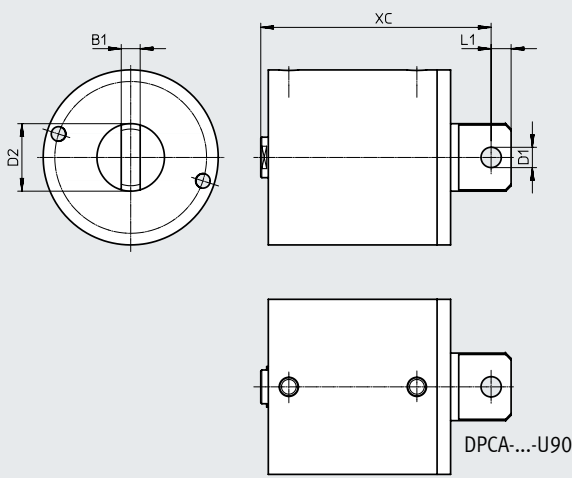
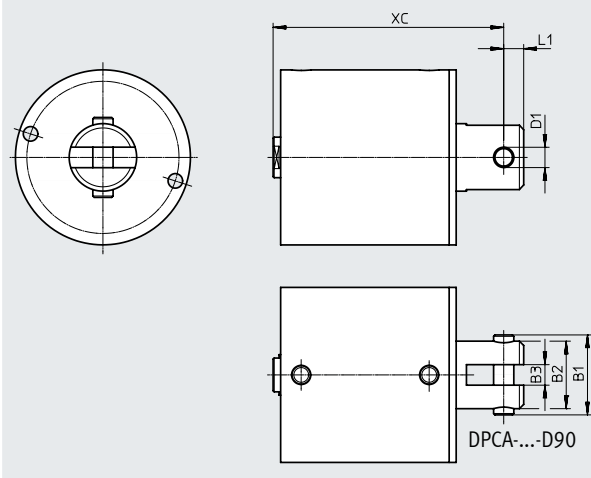
Download CAD data → www.festo.com

[D] With swivel clevis

[D90] With swivel clevis, rotated 90°

[U] With swiveling rod eye

[U90] With swiveling rod eye, rotated 90°



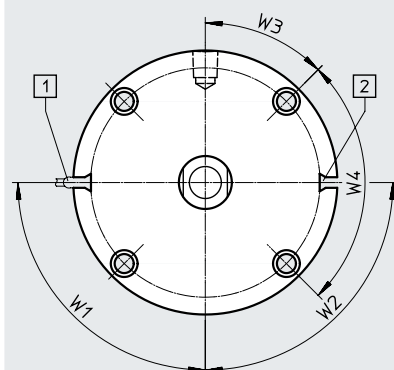
Stroke [in]	B1		B2	B3	D1 ∅		D2 ∅	L1	XC			
	[D/D90]	[U/U90]			[D/D90]	[U/U90]			[L4]	[Q]	[Q-L4]	
1/8	1.48	0.35	1.25	0.38	0.375	0.376	1.25	0.37	2.02	–	2.02	–
1/4	1.48	0.35	1.25	0.38	0.375	0.376	1.25	0.37	2.15	2.65	2.15	2.65
1/2	1.48	0.35	1.25	0.38	0.375	0.376	1.25	0.37	2.65	2.9	2.65	2.9
3/4	1.48	0.35	1.25	0.38	0.375	0.376	1.25	0.37	2.9	3.21	2.9	3.21
1	1.48	0.35	1.25	0.38	0.375	0.376	1.25	0.37	3.21	–	3.21	–
1 1/4	1.48	0.35	1.25	0.38	0.375	0.376	1.25	0.37	–	3.71	–	3.71
1 1/2	1.48	0.35	1.25	0.38	0.375	0.376	1.25	0.37	3.71	–	3.71	–
1 3/4	1.48	0.35	1.25	0.38	0.375	0.376	1.25	0.37	–	4.21	–	4.21
2	1.48	0.35	1.25	0.38	0.375	0.376	1.25	0.37	4.21	–	4.21	–
2 3/4	1.48	0.35	1.25	0.38	0.375	0.376	1.25	0.37	–	5.21	–	5.21
3	1.48	0.35	1.25	0.38	0.375	0.376	1.25	0.37	5.21	–	5.21	–
3 3/4	1.48	0.35	1.25	0.38	0.375	0.376	1.25	0.37	–	6.21	–	6.21
4	1.48	0.35	1.25	0.38	0.375	0.376	1.25	0.37	6.21	–	6.21	–

Datasheet

Dimensions – piston diameter 1 5/8

Download CAD data → www.festo.com

[A] For proximity switch



[1] Sensor
[2] Sensor slot

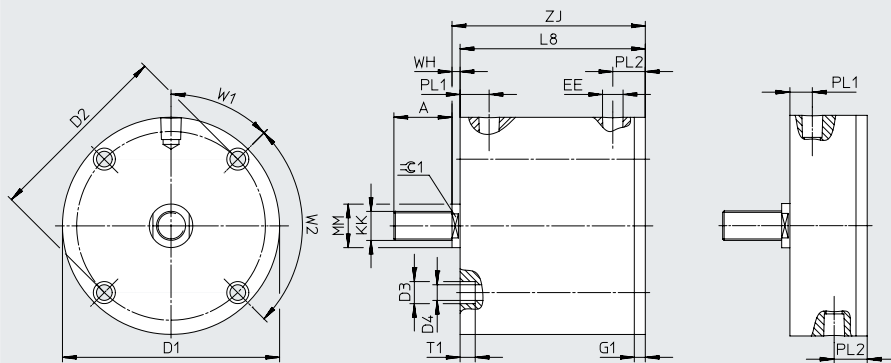
Stroke [in]	Sensor slot number				W1	W2				W3	W4
		[L4]	[Q]	[Q-L4]			[L4]	[Q]	[Q-L4]		
1/4	2	2	2	2	45°	45°	45°	45°	45°	90°	–
1/2	2	2	2	2	45°	45°	45°	45°	45°	90°	–
3/4	2	2	2	2	45°	45°	45°	45°	45°	90°	–
1	2	–	2	–	45°	45°	–	45°	–	90°	–
1 1/4	–	1	–	1	45°	–	–	–	–	90°	–
1 1/2	1	–	1	–	45°	–	–	–	–	90°	–
1 3/4	–	1	–	1	45°	–	–	–	–	90°	–
2	1	–	1	–	45°	–	–	–	–	90°	–
2 3/4	–	1	–	1	45°	–	–	–	–	90°	–
3	1	–	1	–	45°	–	–	–	–	90°	–
3 3/4	–	1	–	1	45°	–	–	–	–	90°	–
4	1	–	1	–	45°	–	–	–	–	90°	–

Datasheet

Dimensions – piston diameter 2

Download CAD data → www.festo.com

- DPCA-...-1/8" ...3/8"
- DPCA-...-L4-...-1/8"
- DPCA-...-Q-...-1/8" ...3/8"
- DPCA-...-Q-L4-...-1/8"



Stroke [in]	A	D1 ø	D2 ø	D3 ø	D4 ø	EE		G1				KK	
							[N]		[L4]	[Q]	[Q-L4]		[N]
1/8	1	3.24	2.81	0.38	0.27	G1/8	1/8 NPT	0.13	0.13	0.25	0.25	M12	1/2-20 UNF-2A
1/4	1	3.24	2.81	0.38	0.27	G1/8	1/8 NPT	0.13	0.13	0.25	0.25	M12	1/2-20 UNF-2A
3/8	1	3.24	2.81	0.38	0.27	G1/8	1/8 NPT	0.13	-	0.25	-	M12	1/2-20 UNF-2A
1/2	1	3.24	2.81	0.38	0.27	G1/8	1/8 NPT	0.13	0.13	0.25	0.25	M12	1/2-20 UNF-2A
3/4	1	3.24	2.81	0.38	0.27	G1/8	1/8 NPT	0.13	0.13	0.25	0.25	M12	1/2-20 UNF-2A
1	1	3.24	2.81	0.38	0.27	G1/8	1/8 NPT	0.13	-	0.25	-	M12	1/2-20 UNF-2A
1 1/4	1	3.24	2.81	0.38	0.27	G1/8	1/8 NPT	-	0.13	-	0.25	M12	1/2-20 UNF-2A
1 1/2	1	3.24	2.81	0.38	0.27	G1/8	1/8 NPT	0.13	-	0.25	-	M12	1/2-20 UNF-2A
1 3/4	1	3.24	2.81	0.38	0.27	G1/8	1/8 NPT	-	0.13	-	0.25	M12	1/2-20 UNF-2A
2	1	3.24	2.81	0.38	0.27	G1/8	1/8 NPT	0.13	-	0.25	-	M12	1/2-20 UNF-2A
2 3/4	1	3.24	2.81	0.38	0.27	G1/8	1/8 NPT	-	0.13	-	0.25	M12	1/2-20 UNF-2A
3	1	3.24	2.81	0.38	0.27	G1/8	1/8 NPT	0.13	-	0.25	-	M12	1/2-20 UNF-2A
3 3/4	1	3.24	2.81	0.38	0.27	G1/8	1/8 NPT	-	0.13	-	0.25	M12	1/2-20 UNF-2A
4	1	3.24	2.81	0.38	0.27	G1/8	1/8 NPT	0.13	-	0.25	-	M12	1/2-20 UNF-2A

Datasheet

Stroke [in]	L8				MM ∅	PL1	PL2			
		[L4]	[Q]	[Q-L4]				[L4]	[Q]	[Q-L4]
1/8	1.06	1.31	1.19	1.44	0.75	0.38	0.5	0.5	0.63	0.63
1/4	1.19	1.5	1.32	1.63	0.75	0.38	0.5	0.5	0.63	0.63
3/8	1.31	–	1.44	–	0.75	0.38	0.5	–	0.63	–
1/2	1.5	1.88	1.63	2.01	0.75	0.38	0.5	0.5	0.63	0.63
3/4	1.88	2.25	2.01	2.38	0.75	0.38	0.5	0.5	0.63	0.63
1	2.25	–	2.38	–	0.75	0.38	0.5	–	0.63	–
1 1/4	–	2.75	–	2.88	0.75	0.38	–	0.5	–	0.63
1 1/2	2.75	–	2.88	–	0.75	0.38	0.5	–	0.63	–
1 3/4	–	3.25	–	3.38	0.75	0.38	–	0.5	–	0.63
2	3.25	–	3.38	–	0.75	0.38	0.5	–	0.63	–
2 3/4	–	4.25	–	4.38	0.75	0.38	–	0.5	–	0.63
3	4.25	–	4.38	–	0.75	0.38	0.5	–	0.63	–
3 3/4	–	5.25	–	5.38	0.75	0.38	–	0.5	–	0.63
4	5.25	–	5.38	–	0.75	0.38	0.5	–	0.63	–

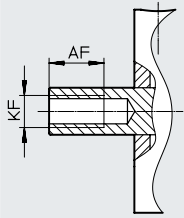
Stroke [in]	T1	W1	W2	WH	ZJ				≈ 1
						[L4]	[Q]	[Q-L4]	
1/8	0.26	72°	–	0.14	1.2	1.45	1.33	1.58	0.63
1/4	0.26	72°	–	0.14	1.33	1.64	1.46	1.77	0.63
3/8	0.26	72°	–	0.14	1.45	–	1.58	–	0.63
1/2	0.26	72°	–	0.14	1.64	2.02	1.77	2.15	0.63
3/4	0.26	72°	–	0.14	2.02	2.39	2.15	2.52	0.63
1	0.26	72°	–	0.14	2.39	–	2.52	–	0.63
1 1/4	0.26	72°	–	0.14	–	2.89	–	3.02	0.63
1 1/2	0.26	72°	–	0.14	2.89	–	3.02	–	0.63
1 3/4	0.26	72°	–	0.14	–	3.39	–	3.52	0.63
2	0.26	72°	–	0.14	3.39	–	3.52	–	0.63
2 3/4	0.26	72°	–	0.14	–	4.39	–	4.52	0.63
3	0.26	72°	–	0.14	4.39	–	4.52	–	0.63
3 3/4	0.26	72°	–	0.14	–	5.39	–	5.52	0.63
4	0.26	72°	–	0.14	5.39	–	5.52	–	0.63

Datasheet

Dimensions – piston diameter 2

Download CAD data → www.festo.com

[F] Internal thread



Stroke [in]	AF	AF				KF	
		[L4]	[Q]	[Q-L4]		[N]	
1/8	0.4	0.63	0.4	0.63	M12	1/2-20 UNF-2B	
1/4	0.5	0.63	0.5	0.63	M12	1/2-20 UNF-2B	
3/8	0.63	–	0.63	–	M12	1/2-20 UNF-2B	
1/2	0.63	0.75	0.63	0.75	M12	1/2-20 UNF-2B	
3/4	0.75	0.88	0.75	0.88	M12	1/2-20 UNF-2B	
1	0.88	–	0.88	–	M12	1/2-20 UNF-2B	
1 1/4	–	0.88	–	0.88	M12	1/2-20 UNF-2B	
1 1/2	0.88	–	0.88	–	M12	1/2-20 UNF-2B	
1 3/4	–	0.88	–	0.88	M12	1/2-20 UNF-2B	
2	0.88	–	0.88	–	M12	1/2-20 UNF-2B	
2 3/4	–	0.88	–	0.88	M12	1/2-20 UNF-2B	
3	0.88	–	0.88	–	M12	1/2-20 UNF-2B	
3 3/4	–	0.88	–	0.88	M12	1/2-20 UNF-2B	
4	0.88	–	0.88	–	M12	1/2-20 UNF-2B	

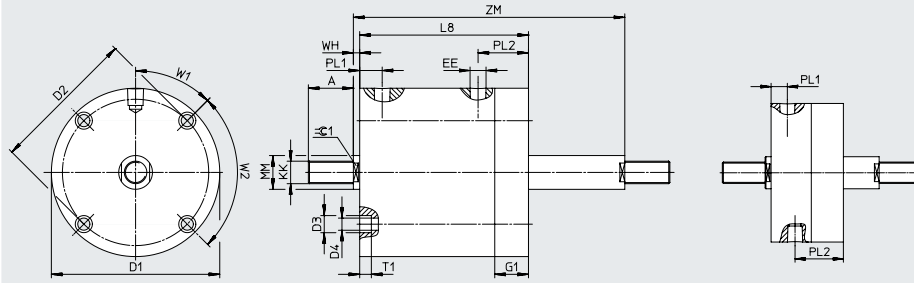
Datasheet

Dimensions – piston diameter 2

Download CAD data → www.festo.com

[T] Through piston rod

DPCA...-1/8"...3/8"
DPCA...-Q...-1/8"...3/8"



Stroke [in]	A	D1 ∅	D2 ∅	D3 ∅	D4 ∅	EE		G1	KK	
							[N]			[N]
1/8	1	3.24	2.81	0.38	0.27	G1/8	1/8 NPT	0.75	M12	1/2-20 UNF-2A
1/4	1	3.24	2.81	0.38	0.27	G1/8	1/8 NPT	0.75	M12	1/2-20 UNF-2A
3/8	1	3.24	2.81	0.38	0.27	G1/8	1/8 NPT	0.75	M12	1/2-20 UNF-2A
1/2	1	3.24	2.81	0.38	0.27	G1/8	1/8 NPT	0.75	M12	1/2-20 UNF-2A
3/4	1	3.24	2.81	0.38	0.27	G1/8	1/8 NPT	0.75	M12	1/2-20 UNF-2A
1	1	3.24	2.81	0.38	0.27	G1/8	1/8 NPT	0.75	M12	1/2-20 UNF-2A
1 1/2	1	3.24	2.81	0.38	0.27	G1/8	1/8 NPT	0.75	M12	1/2-20 UNF-2A
2	1	3.24	2.81	0.38	0.27	G1/8	1/8 NPT	0.75	M12	1/2-20 UNF-2A
3	1	3.24	2.81	0.38	0.27	G1/8	1/8 NPT	0.75	M12	1/2-20 UNF-2A
4	1	3.24	2.81	0.38	0.27	G1/8	1/8 NPT	0.75	M12	1/2-20 UNF-2A

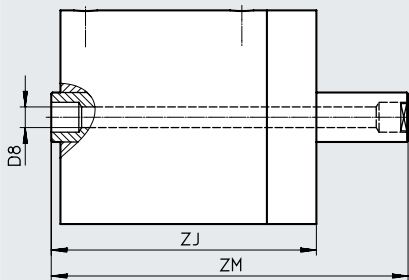
Stroke [in]	L8	MM ∅	PL1	PL2	T1	W1	W2	WH	ZM	≅ 1
1/8	1.69	0.75	0.38	1.13	0.25	72°	-	0.14	2.095	0.63
1/4	1.81	0.75	0.38	1.12	0.25	72°	-	0.14	2.34	0.63
3/8	1.94	0.75	0.38	1.13	0.25	72°	-	0.14	2.595	0.63
1/2	2.13	0.75	0.38	1.13	0.24	72°	-	0.14	2.91	0.63
3/4	2.5	0.75	0.38	1.12	0.25	72°	-	0.14	3.53	0.63
1	2.88	0.75	0.38	1.13	0.25	72°	-	0.14	4.16	0.63
1 1/2	3.38	0.75	0.38	1.13	0.25	72°	-	0.14	5.16	0.63
2	3.88	0.75	0.38	1.13	0.25	72°	-	0.14	6.16	0.63
3	4.88	0.75	0.38	1.13	0.25	72°	-	0.14	8.16	0.63
4	5.88	0.75	0.38	1.13	0.25	72°	-	0.14	10.16	0.63

Datasheet

Dimensions – piston diameter 2

Download CAD data → www.festo.com

[H] Through, hollow piston rod

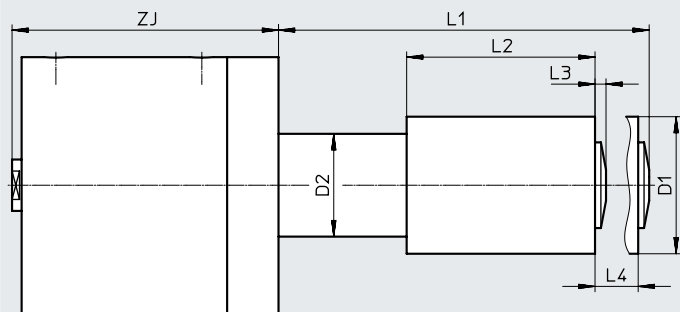


Stroke [in]	D8 ∅	ZJ	ZM
1/8	5/16	1.83	1.345
1/4	5/16	1.95	1.59
3/8	5/16	2.08	1.845
1/2	5/16	2.27	2.16
3/4	5/16	2.64	2.78
1	5/16	3.02	3.41
1 1/2	5/16	3.52	4.41
2	5/16	4.02	5.41
3	5/16	5.02	7.41
4	5/16	6.02	9.41

Dimensions – piston diameter 2

Download CAD data → www.festo.com

[E] Stroke adjustment



Stroke [in]	D1 ∅	D2 ∅	L1	L2	L3	L4	ZJ
1/8	2	1.5	1.67	0.88	0.16	0.63	1.83
1/4	2	1.5	1.91	1	0.16	0.63	1.95
3/8	2	1.5	2.17	1.13	0.16	0.63	2.08
1/2	2	1.5	2.41	1.25	0.16	0.63	2.27
3/4	2	1.5	2.91	1.5	0.16	0.63	2.64
1	2	1.5	3.41	1.75	0.16	0.63	3.02
1 1/2	2	1.5	4.41	2.25	0.16	0.63	3.52
2	2	1.5	5.41	2.75	0.16	0.63	4.02
3	2	1.5	7.41	3.75	0.16	0.63	5.02
4	2	1.5	9.41	4.75	0.16	0.63	6.02

Datasheet

Dimensions – piston diameter 2

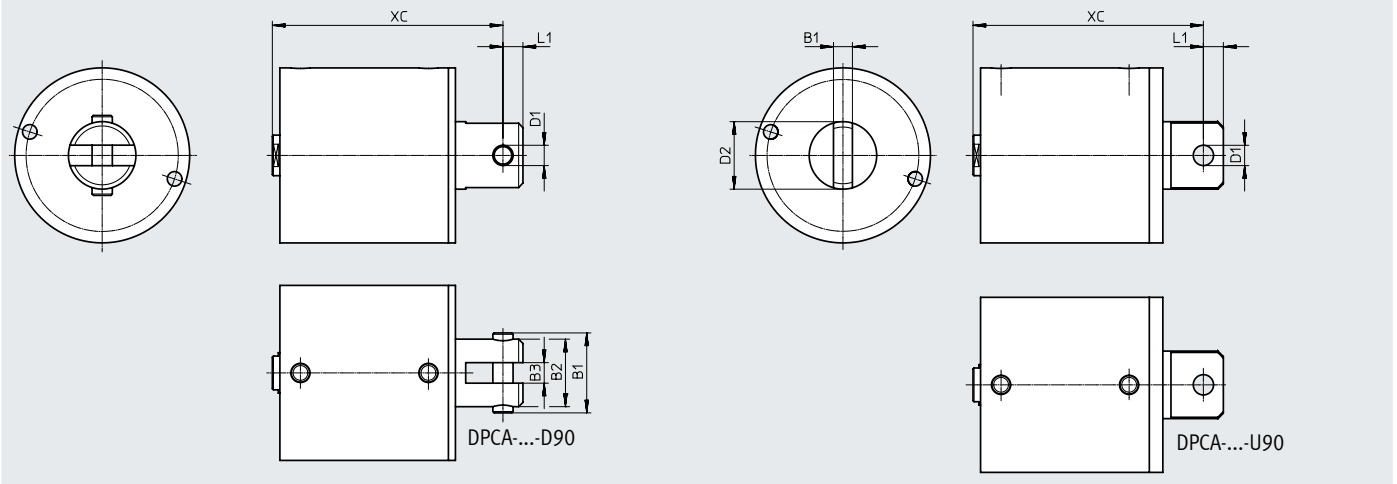
Download CAD data → www.festo.com

[D] With swivel clevis

[U] With swiveling rod eye

[D90] With swivel clevis, rotated 90°

[U90] With swiveling rod eye, rotated 90°



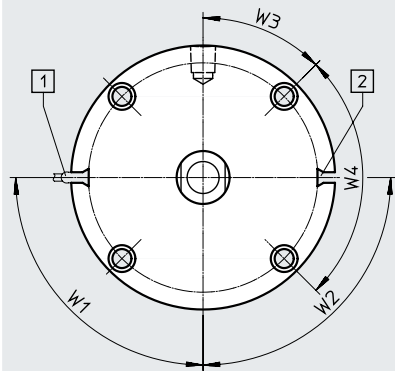
Stroke [in]	B1		B2	B3	D1 ∅		D2 ∅	L1	XC			
	[D/D90]	[U/U90]			[D/D90]	[U/U90]			[L4]	[Q]	[Q-L4]	
1/8	1.48	0.35	1.25	0.38	0.375	0.376	1.25	0.37	2.08	2.33	2.08	2.33
1/4	1.48	0.35	1.25	0.38	0.375	0.376	1.25	0.37	2.21	2.52	2.21	2.52
3/8	1.48	0.35	1.25	0.38	0.375	0.376	1.25	0.37	2.33	-	2.33	-
1/2	1.48	0.35	1.25	0.38	0.375	0.376	1.25	0.37	2.52	2.9	2.52	2.9
3/4	1.48	0.35	1.25	0.38	0.375	0.376	1.25	0.37	2.9	3.27	2.9	3.27
1	1.48	0.35	1.25	0.38	0.375	0.376	1.25	0.37	3.27	-	3.27	-
1 1/4	1.48	0.35	1.25	0.38	0.375	0.376	1.25	0.37	-	3.77	-	3.77
1 1/2	1.48	0.35	1.25	0.38	0.375	0.376	1.25	0.37	3.77	-	3.77	-
1 3/4	1.48	0.35	1.25	0.38	0.375	0.376	1.25	0.37	-	4.27	-	4.27
2	1.48	0.35	1.25	0.38	0.375	0.376	1.25	0.37	4.27	-	4.27	-
2 3/4	1.48	0.35	1.25	0.38	0.375	0.376	1.25	0.37	-	5.27	-	5.27
3	1.48	0.35	1.25	0.38	0.375	0.376	1.25	0.37	5.27	-	5.27	-
3 3/4	1.48	0.35	1.25	0.38	0.375	0.376	1.25	0.37	-	6.27	-	6.27
4	1.48	0.35	1.25	0.38	0.375	0.376	1.25	0.37	6.27	-	6.27	-

Datasheet

Dimensions – piston diameter 2

Download CAD data → www.festo.com

[A] For proximity switch



- [1] Sensor
- [2] Sensor slot

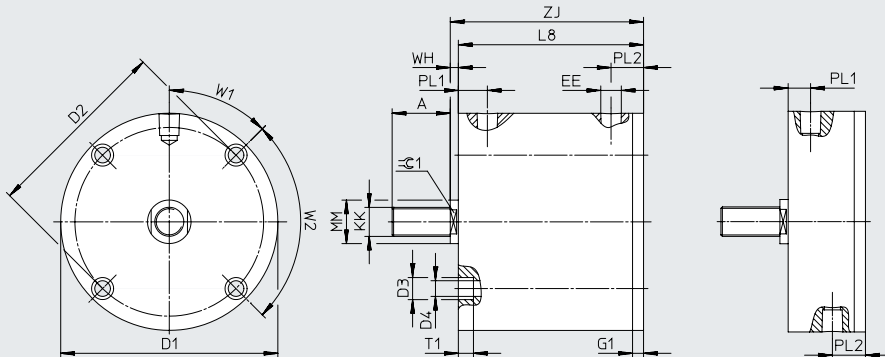
Stroke [in]	Sensor slot number				W1	W2				W3	W4
		[L4]	[Q]	[Q-L4]			[L4]	[Q]	[Q-L4]		
1/8	–	2	–	2	35°	–	35°	–	35°	72°	–
1/4	2	2	2	2	35°	35°	35°	35°	35°	72°	–
3/8	2	–	2	–	35°	35°	–	35°	–	72°	–
1/2	2	2	2	2	35°	35°	35°	35°	35°	72°	–
3/4	2	2	2	2	35°	35°	35°	35°	35°	72°	–
1	2	–	2	–	35°	35°	–	35°	–	72°	–
1 1/4	–	2	–	1	35°	–	35°	–	35°	72°	–
1 1/2	1	–	1	–	35°	–	–	–	–	72°	–
1 3/4	–	1	–	1	35°	–	–	–	–	72°	–
2	1	–	1	–	35°	–	–	–	–	72°	–
2 3/4	–	1	–	1	35°	–	–	–	–	72°	–
3	1	–	1	–	35°	–	–	–	–	72°	–
3 3/4	–	1	–	1	35°	–	–	–	–	72°	–
4	1	–	1	–	35°	–	–	–	–	72°	–

Datasheet

Dimensions – piston diameter 2 1/2

Download CAD data → www.festo.com

DPCA-...-1/8" ...1/4"
DPCA-...-Q-...-1/8" ...1/4"



Stroke [in]	A	D1 ø	D2 ø	D3 ø	D4 ø	EE		G1				KK	
							[N]		[L4]	[Q]	[Q-L4]		[N]
1/8	1	3.74	3.25	0.38	0.27	G1/8	1/8 NPT	0.19	-	0.38	-	M12	1/2-20 UNF-2A
1/4	1	3.74	3.25	0.38	0.27	G1/8	1/8 NPT	0.19	0.19	0.38	0.38	M12	1/2-20 UNF-2A
1/2	1	3.74	3.25	0.38	0.27	G1/8	1/8 NPT	0.19	0.19	0.38	0.38	M12	1/2-20 UNF-2A
3/4	1	3.74	3.25	0.38	0.27	G1/8	1/8 NPT	0.19	0.19	0.38	0.38	M12	1/2-20 UNF-2A
1	1	3.74	3.25	0.38	0.27	G1/8	1/8 NPT	0.19	-	0.38	-	M12	1/2-20 UNF-2A
1 1/4	1	3.74	3.25	0.38	0.27	G1/8	1/8 NPT	-	0.19	-	0.38	M12	1/2-20 UNF-2A
1 1/2	1	3.74	3.25	0.38	0.27	G1/8	1/8 NPT	0.19	-	0.38	-	M12	1/2-20 UNF-2A
1 3/4	1	3.74	3.25	0.38	0.27	G1/8	1/8 NPT	-	0.19	-	0.38	M12	1/2-20 UNF-2A
2	1	3.74	3.25	0.38	0.27	G1/8	1/8 NPT	0.19	-	0.38	-	M12	1/2-20 UNF-2A
2 3/4	1	3.74	3.25	0.38	0.27	G1/8	1/8 NPT	-	0.19	-	0.38	M12	1/2-20 UNF-2A
3	1	3.74	3.25	0.38	0.27	G1/8	1/8 NPT	0.19	-	0.38	-	M12	1/2-20 UNF-2A
3 3/4	1	3.74	3.25	0.38	0.27	G1/8	1/8 NPT	-	0.19	-	0.38	M12	1/2-20 UNF-2A
4	1	3.74	3.25	0.38	0.27	G1/8	1/8 NPT	0.19	-	0.38	-	M12	1/2-20 UNF-2A

Stroke [in]	L8				MM ø	PL1				PL2			
		[L4]	[Q]	[Q-L4]			[L4]	[Q]	[Q-L4]		[L4]	[Q]	[Q-L4]
1/8	1.31	-	1.5	-	0.75	0.38	-	0.38	-	0.56	-	0.75	-
1/4	1.44	1.69	1.63	1.88	0.75	0.38	0.38	0.38	0.38	0.56	0.56	0.75	0.75
1/2	1.69	2.06	1.88	2.25	0.75	0.38	0.5	0.38	0.5	0.56	0.56	0.75	0.75
3/4	2.06	2.19	2.25	2.38	0.75	0.5	0.5	0.5	0.5	0.56	0.56	0.75	0.75
1	2.19	-	2.38	-	0.75	0.5	-	0.5	-	0.56	-	0.75	-
1 1/4	-	2.69	-	2.88	0.75	-	0.5	-	0.5	-	0.56	-	0.75
1 1/2	2.69	-	2.88	-	0.75	0.5	-	0.5	-	0.56	-	0.75	-
1 3/4	-	3.19	-	3.38	0.75	-	0.5	-	0.5	-	0.56	-	0.75
2	3.19	-	3.38	-	0.75	0.5	-	0.5	-	0.56	-	0.75	-
2 3/4	-	4.19	-	4.38	0.75	-	0.5	-	0.5	-	0.56	-	0.75
3	4.19	-	4.38	-	0.75	0.5	-	0.5	-	0.56	-	0.75	-
3 3/4	-	5.19	-	5.38	0.75	-	0.5	-	0.5	-	0.56	-	0.75
4	5.19	-	5.38	-	0.75	0.5	-	0.5	-	0.56	-	0.75	-

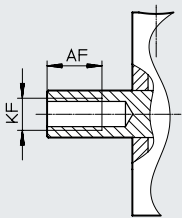
Datasheet

Stroke [in]	T1	W1	W2	WH	Z)			≈ 1	
					[L4]	[Q]	[Q-L4]		
1/8	0.26	45°	90°	0.14	1.45	-	1.64	-	0.63
1/4	0.26	45°	90°	0.14	1.58	1.83	1.77	2.02	0.63
1/2	0.26	45°	90°	0.14	1.83	2.2	2.02	2.39	0.63
3/4	0.26	45°	90°	0.14	2.2	2.33	2.39	2.52	0.63
1	0.26	45°	90°	0.14	2.33	-	2.52	-	0.63
1 1/4	0.26	45°	90°	0.14	-	2.83	-	3.02	0.63
1 1/2	0.26	45°	90°	0.14	2.83	-	3.02	-	0.63
1 3/4	0.26	45°	90°	0.14	-	3.33	-	3.52	0.63
2	0.26	45°	90°	0.14	3.33	-	3.52	-	0.63
2 3/4	0.26	45°	90°	0.14	-	4.33	-	4.52	0.63
3	0.26	45°	90°	0.14	4.33	-	4.52	-	0.63
3 3/4	0.26	45°	90°	0.14	-	5.33	-	5.52	0.63
4	0.26	45°	90°	0.14	5.33	-	5.52	-	0.63

Dimensions – piston diameter 2 1/2

Download CAD data → www.festo.com

[F] Internal thread



Stroke [in]	AF	AF			KF	
		[L4]	[Q]	[Q-L4]		[N]
1/8	0.56	-	0.56	-	M12	1/2-20 UNF-2B
1/4	0.63	0.63	0.63	0.63	M12	1/2-20 UNF-2B
1/2	0.63	0.88	0.63	0.88	M12	1/2-20 UNF-2B
3/4	0.88	0.88	0.88	0.88	M12	1/2-20 UNF-2B
1	0.88	-	0.88	-	M12	1/2-20 UNF-2B
1 1/4	-	0.88	-	0.88	M12	1/2-20 UNF-2B
1 1/2	0.88	-	0.88	-	M12	1/2-20 UNF-2B
1 3/4	-	0.88	-	0.88	M12	1/2-20 UNF-2B
2	0.88	-	0.88	-	M12	1/2-20 UNF-2B
2 3/4	-	0.88	-	0.88	M12	1/2-20 UNF-2B
3	0.88	-	0.88	-	M12	1/2-20 UNF-2B
3 3/4	-	0.88	-	0.88	M12	1/2-20 UNF-2B
4	0.88	-	0.88	-	M12	1/2-20 UNF-2B

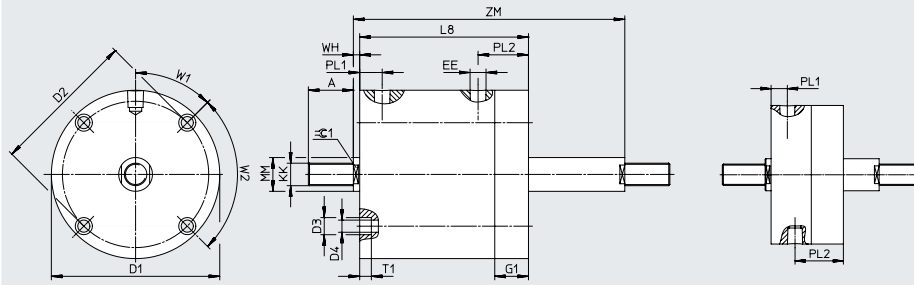
Datasheet

Dimensions – piston diameter 2 1/2

Download CAD data → www.festo.com

[T] Through piston rod

DPCA-...-1/8"...1/4"
DPCA-...-Q-...-1/8"...1/4"



Stroke [in]	A	D1 ∅	D2 ∅	D3 ∅	D4 ∅	EE		G1	KK	
							[N]			[N]
1/8	1	3.74	3.25	0.38	0.27	G1/8	1/8 NPT	0.75	M12	1/2-20 UNF-2A
1/4	1	3.74	3.25	0.38	0.27	G1/8	1/8 NPT	0.75	M12	1/2-20 UNF-2A
1/2	1	3.74	3.25	0.38	0.27	G1/8	1/8 NPT	0.75	M12	1/2-20 UNF-2A
3/4	1	3.74	3.25	0.38	0.27	G1/8	1/8 NPT	0.75	M12	1/2-20 UNF-2A
1	1	3.74	3.25	0.38	0.27	G1/8	1/8 NPT	0.75	M12	1/2-20 UNF-2A
1 1/2	1	3.74	3.25	0.38	0.27	G1/8	1/8 NPT	0.75	M12	1/2-20 UNF-2A
2	1	3.74	3.25	0.38	0.27	G1/8	1/8 NPT	0.75	M12	1/2-20 UNF-2A
3	1	3.74	3.25	0.38	0.27	G1/8	1/8 NPT	0.75	M12	1/2-20 UNF-2A
4	1	3.74	3.25	0.38	0.27	G1/8	1/8 NPT	0.75	M12	1/2-20 UNF-2A

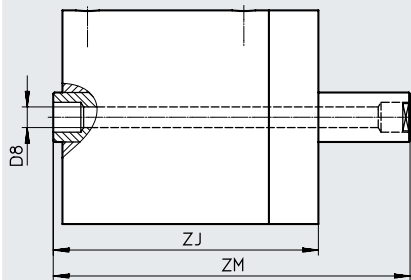
Stroke [in]	L8	MM ∅	PL1	PL2	T1	W1	W2	WH	ZM	=C 1
1/8	1.88	0.75	0.38	1.13	0.25	45°	90°	0.14	2.285	0.63
1/4	2	0.75	0.38	1.12	0.25	45°	90°	0.14	2.53	0.63
1/2	2.25	0.75	0.38	1.12	0.25	45°	90°	0.14	3.03	0.63
3/4	2.63	0.75	0.5	1.13	0.25	45°	90°	0.14	3.66	0.63
1	2.75	0.75	0.5	1.12	0.25	45°	90°	0.14	4.03	0.63
1 1/2	3.25	0.75	0.5	1.12	0.25	45°	90°	0.14	5.03	0.63
2	3.75	0.75	0.5	1.12	0.25	45°	90°	0.14	6.03	0.63
3	4.75	0.75	0.5	1.12	0.25	45°	90°	0.14	8.03	0.63
4	5.75	0.75	0.5	1.12	0.25	45°	90°	0.14	10.03	0.63

Datasheet

Dimensions – piston diameter 2 1/2

Download CAD data → www.festo.com

[H] Through, hollow piston rod

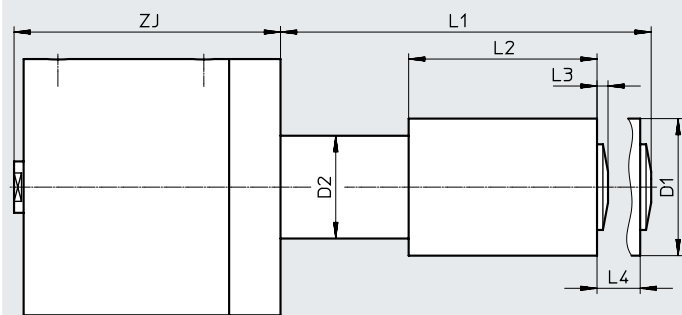


Stroke [in]	D8 ø	ZJ	ZM
1/8	1/4	2.02	2.285
1/4	1/4	2.14	2.53
1/2	1/4	2.39	3.03
3/4	1/4	2.77	3.66
1	1/4	2.89	4.03
1 1/2	1/4	3.39	5.03
2	1/4	3.89	6.03
3	1/4	4.89	8.03
4	1/4	5.89	10.03

Dimensions – piston diameter 2 1/2

Download CAD data → www.festo.com

[E] Stroke adjustment



Stroke [in]	D1 ø	D2 ø	L1	L2	L3	L4	ZJ
1/8	2	1.5	1.67	0.88	0.16	0.63	2.02
1/4	2	1.5	1.91	1	0.16	0.63	2.14
1/2	2	1.5	2.41	1.25	0.16	0.63	2.39
3/4	2	1.5	2.91	1.5	0.16	0.63	2.77
1	2	1.5	3.41	1.75	0.16	0.63	2.89
1 1/2	2	1.5	4.41	2.25	0.16	0.63	3.39
2	2	1.5	5.41	2.75	0.16	0.63	3.89
3	2	1.5	7.41	3.75	0.16	0.63	4.89
4	2	1.5	9.41	4.75	0.16	0.63	5.89

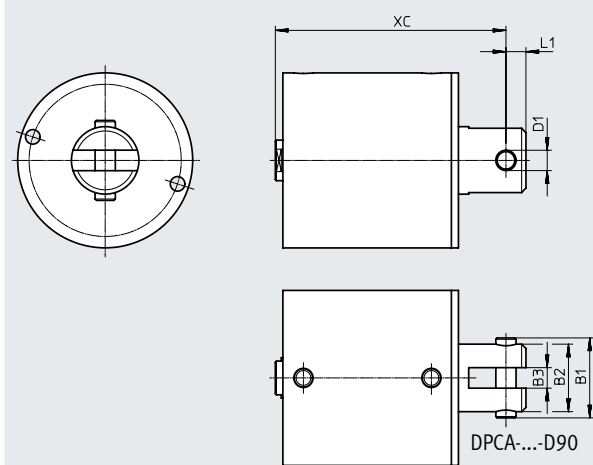
Datasheet

Dimensions – piston diameter 2 1/2

Download CAD data → www.festo.com

[D] With swivel clevis

[D90] With swivel clevis, rotated 90°



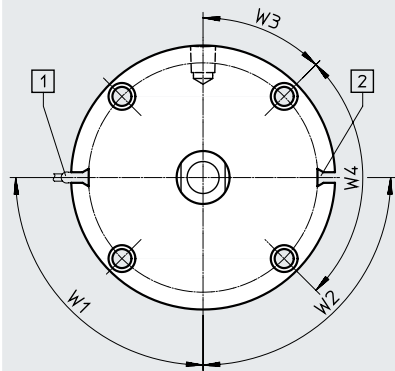
Stroke [in]	B1	B2	B3	D1 ∅	L1	XC			
						[L4]	[Q]	[Q-L4]	
1/8	1.86	1.63	0.5	0.5	0.5	2.64	–	2.64	–
1/4	1.86	1.63	0.5	0.5	0.5	2.77	3.02	2.77	3.02
1/2	1.86	1.63	0.5	0.5	0.5	3.02	3.39	3.02	3.39
3/4	1.86	1.63	0.5	0.5	0.5	3.39	3.52	3.39	3.52
1	1.86	1.63	0.5	0.5	0.5	3.52	–	3.52	–
1 1/4	1.86	1.63	0.5	0.5	0.5	–	4.02	–	4.02
1 1/2	1.86	1.63	0.5	0.5	0.5	4.02	–	4.02	–
1 3/4	1.86	1.63	0.5	0.5	0.5	–	4.52	–	4.52
2	1.86	1.63	0.5	0.5	0.5	4.52	–	4.52	–
2 3/4	1.86	1.63	0.5	0.5	0.5	–	5.52	–	5.52
3	1.86	1.63	0.5	0.5	0.5	5.52	–	5.52	–
3 3/4	1.86	1.63	0.5	0.5	0.5	–	6.52	–	6.52
4	1.86	1.63	0.5	0.5	0.5	6.52	–	6.52	–

Datasheet

Dimensions – piston diameter 2 1/2

Download CAD data → www.festo.com

[A] For proximity switch



- [1] Sensor
- [2] Sensor slot

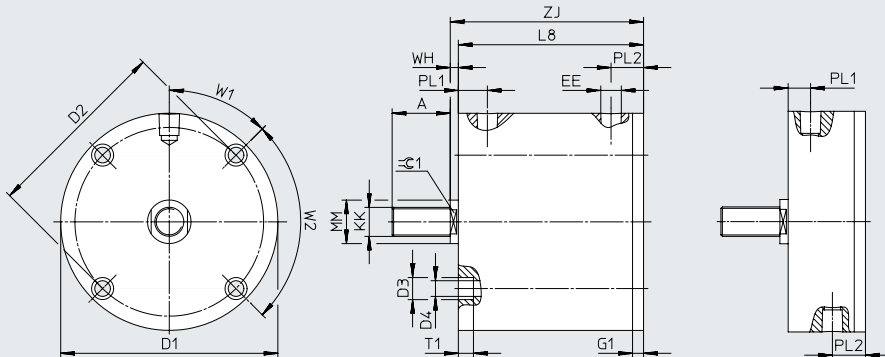
Stroke [in]	Sensor slot number				W1	W2				W3	W4
		[L4]	[Q]	[Q-L4]			[L4]	[Q]	[Q-L4]		
1/4	2	2	2	2	90°	90°	90°	90°	90°	45°	90°
1/2	2	2	2	2	90°	90°	90°	90°	90°	45°	90°
3/4	2	2	2	2	90°	90°	90°	90°	90°	45°	90°
1	2	-	2	-	90°	90°	-	90°	-	45°	90°
1 1/4	-	1	-	1	90°	-	-	-	-	45°	90°
1 1/2	1	-	1	-	90°	-	-	-	-	45°	90°
1 3/4	-	1	-	1	90°	-	-	-	-	45°	90°
2	1	-	1	-	90°	-	-	-	-	45°	90°
2 3/4	-	1	-	1	90°	-	-	-	-	45°	90°
3	1	-	1	-	90°	-	-	-	-	45°	90°
3 3/4	-	1	-	1	90°	-	-	-	-	45°	90°
4	1	-	1	-	90°	-	-	-	-	45°	90°

Datasheet

Dimensions – piston diameter 3

Download CAD data → www.festo.com

DPCA-...-1/8" ...1/4"
DPCA-...-Q-...-1/8" ...1/4"



Stroke [in]	A	D1 ø	D2 ø	D3 ø	D4 ø	EE		G1				KK	
							[N]		[L4]	[Q]	[Q-L4]		[N]
1/8	1	4.24	3.81	0.38	0.27	G1/8	1/8 NPT	0.19	-	0.38	-	M12	1/2-20 UNF-2A
1/4	1	4.24	3.81	0.38	0.27	G1/8	1/8 NPT	0.19	0.19	0.38	0.38	M12	1/2-20 UNF-2A
1/2	1	4.24	3.81	0.38	0.27	G1/8	1/8 NPT	0.19	0.19	0.38	0.38	M12	1/2-20 UNF-2A
3/4	1	4.24	3.81	0.38	0.27	G1/8	1/8 NPT	0.19	0.19	0.38	0.38	M12	1/2-20 UNF-2A
1	1	4.24	3.81	0.38	0.27	G1/8	1/8 NPT	0.19	-	0.38	-	M12	1/2-20 UNF-2A
1 1/4	1	4.24	3.81	0.38	0.27	G1/8	1/8 NPT	-	0.19	-	0.38	M12	1/2-20 UNF-2A
1 1/2	1	4.24	3.81	0.38	0.27	G1/8	1/8 NPT	0.19	-	0.38	-	M12	1/2-20 UNF-2A
1 3/4	1	4.24	3.81	0.38	0.27	G1/8	1/8 NPT	-	0.19	-	0.38	M12	1/2-20 UNF-2A
2	1	4.24	3.81	0.38	0.27	G1/8	1/8 NPT	0.19	-	0.38	-	M12	1/2-20 UNF-2A
2 3/4	1	4.24	3.81	0.38	0.27	G1/8	1/8 NPT	-	0.19	-	0.38	M12	1/2-20 UNF-2A
3	1	4.24	3.81	0.38	0.27	G1/8	1/8 NPT	0.19	-	0.38	-	M12	1/2-20 UNF-2A
3 3/4	1	4.24	3.81	0.38	0.27	G1/8	1/8 NPT	-	0.19	-	0.38	M12	1/2-20 UNF-2A
4	1	4.24	3.81	0.38	0.27	G1/8	1/8 NPT	0.19	-	0.38	-	M12	1/2-20 UNF-2A

Stroke [in]	L8				MM ø	PL1				PL2			
		[L4]	[Q]	[Q-L4]			[L4]	[Q]	[Q-L4]		[L4]	[Q]	[Q-L4]
1/8	1.38	-	1.75	-	0.75	0.38	-	0.38	-	0.57	-	0.76	-
1/4	1.5	1.75	1.69	1.94	0.75	0.38	0.38	0.38	0.38	0.56	0.56	0.75	0.75
1/2	1.75	2	1.94	2.19	0.75	0.38	0.5	0.38	0.5	0.56	0.56	0.75	0.75
3/4	2	2.25	2.19	2.44	0.75	0.5	0.5	0.5	0.5	0.56	0.56	0.75	0.75
1	2.25	-	2.44	-	0.75	0.5	-	0.5	-	0.56	-	0.75	-
1 1/4	-	2.75	-	2.94	0.75	-	0.5	-	0.5	-	0.56	-	0.75
1 1/2	2.75	-	2.94	-	0.75	0.5	-	0.5	-	0.56	-	0.75	-
1 3/4	-	3.25	-	3.44	0.75	-	0.5	-	0.5	-	0.56	-	0.75
2	3.25	-	3.44	-	0.75	0.5	-	0.5	-	0.56	-	0.75	-
2 3/4	-	4.25	-	4.44	0.75	-	0.5	-	0.5	-	0.56	-	0.75
3	4.25	-	4.44	-	0.75	0.5	-	0.5	-	0.56	-	0.75	-
3 3/4	-	5.25	-	5.44	0.75	-	0.5	-	0.5	-	0.56	-	0.75
4	5.25	-	5.44	-	0.75	0.5	-	0.5	-	0.56	-	0.75	-

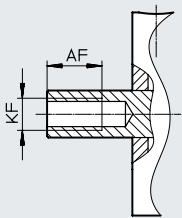
Datasheet

Stroke [in]	T1	W1	W2	WH	Z)			≈ 1	
					[L4]	[Q]	[Q-L4]		
1/8	0.26	45°	90°	0.14	1.52	–	1.71	–	0.63
1/4	0.26	45°	90°	0.14	1.64	1.89	1.83	2.08	0.63
1/2	0.26	45°	90°	0.14	1.89	2.14	2.08	2.33	0.63
3/4	0.26	45°	90°	0.14	2.14	2.39	2.33	2.58	0.63
1	0.26	45°	90°	0.14	2.39	–	2.58	–	0.63
1 1/4	0.26	45°	90°	0.14	–	2.89	–	3.08	0.63
1 1/2	0.26	45°	90°	0.14	2.89	–	3.08	–	0.63
1 3/4	0.26	45°	90°	0.14	–	3.39	–	3.58	0.63
2	0.26	45°	90°	0.14	3.39	–	3.58	–	0.63
2 3/4	0.26	45°	90°	0.14	–	4.39	–	4.58	0.63
3	0.26	45°	90°	0.14	4.39	–	4.58	–	0.63
3 3/4	0.26	45°	90°	0.14	–	5.39	–	5.58	0.63
4	0.26	45°	90°	0.14	5.39	–	5.58	–	0.63

Dimensions – piston diameter 3

Download CAD data → www.festo.com

[F] Internal thread



Stroke [in]	AF	AF			KF	
		[L4]	[Q]	[Q-L4]		[N]
1/8	0.63	–	0.63	–	M12	1/2-20 UNF-2B
1/4	0.63	0.63	0.63	0.63	M12	1/2-20 UNF-2B
1/2	0.63	0.88	0.63	0.88	M12	1/2-20 UNF-2B
3/4	0.88	0.88	0.88	0.88	M12	1/2-20 UNF-2B
1	0.88	–	0.88	–	M12	1/2-20 UNF-2B
1 1/4	–	0.88	–	0.88	M12	1/2-20 UNF-2B
1 1/2	0.88	–	0.88	–	M12	1/2-20 UNF-2B
1 3/4	–	0.88	–	0.88	M12	1/2-20 UNF-2B
2	0.88	–	0.88	–	M12	1/2-20 UNF-2B
2 3/4	–	0.88	–	0.88	M12	1/2-20 UNF-2B
3	0.88	–	0.88	–	M12	1/2-20 UNF-2B
3 3/4	–	0.88	–	0.88	M12	1/2-20 UNF-2B
4	0.88	–	0.88	–	M12	1/2-20 UNF-2B

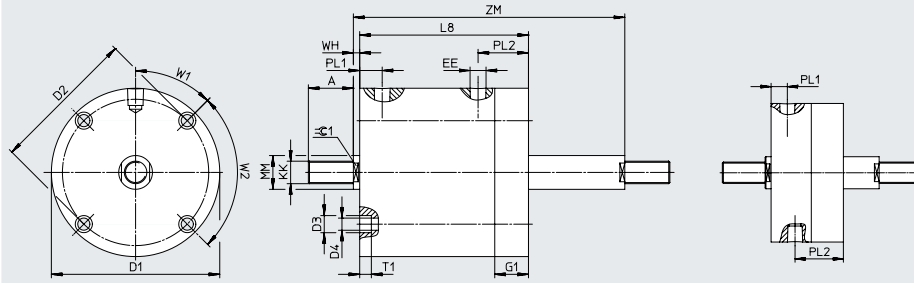
Datasheet

Dimensions – piston diameter 3

Download CAD data → www.festo.com

[T] Through piston rod

DPCA-...-1/8"...1/4"
DPCA-...-Q-...-1/8"...1/4"



Stroke [in]	A	D1 ∅	D2 ∅	D3 ∅	D4 ∅	EE		G1	KK	
							[N]			[N]
1/8	1	4.24	3.81	0.38	0.27	G1/8	1/8 NPT	0.75	M12	1/2-20 UNF-2A
1/4	1	4.24	3.81	0.38	0.27	G1/8	1/8 NPT	0.75	M12	1/2-20 UNF-2A
1/2	1	4.24	3.81	0.38	0.27	G1/8	1/8 NPT	0.75	M12	1/2-20 UNF-2A
3/4	1	4.24	3.81	0.38	0.27	G1/8	1/8 NPT	0.75	M12	1/2-20 UNF-2A
1	1	4.24	3.81	0.38	0.27	G1/8	1/8 NPT	0.75	M12	1/2-20 UNF-2A
1 1/2	1	4.24	3.81	0.38	0.27	G1/8	1/8 NPT	0.75	M12	1/2-20 UNF-2A
2	1	4.24	3.81	0.38	0.27	G1/8	1/8 NPT	0.75	M12	1/2-20 UNF-2A
3	1	4.24	3.81	0.38	0.27	G1/8	1/8 NPT	0.75	M12	1/2-20 UNF-2A
4	1	4.24	3.81	0.38	0.27	G1/8	1/8 NPT	0.75	M12	1/2-20 UNF-2A

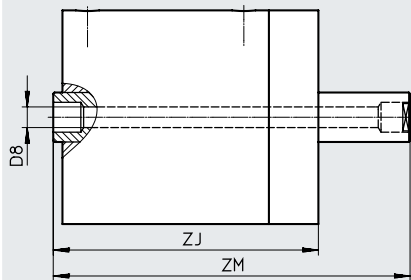
Stroke [in]	L8	MM ∅	PL1	PL2	T1	W1	W2	WH	ZM	≈C 1
1/8	1.94	0.75	0.38	1.13	0.26	45°	90°	0.14	2.345	0.63
1/4	2.06	0.75	0.38	1.12	0.26	45°	90°	0.14	2.59	0.63
1/2	2.31	0.75	0.38	1.12	0.21	45°	90°	0.14	3.09	0.63
3/4	2.56	0.75	0.5	1.12	0.26	45°	90°	0.14	3.59	0.63
1	2.81	0.75	0.5	1.12	0.26	45°	90°	0.14	4.09	0.63
1 1/2	3.31	0.75	0.5	1.12	0.21	45°	90°	0.14	5.09	0.63
2	3.81	0.75	0.5	1.12	0.26	45°	90°	0.14	6.09	0.63
3	4.81	0.75	0.5	1.12	0.26	45°	90°	0.14	8.09	0.63
4	5.81	0.75	0.5	1.12	0.26	45°	90°	0.14	10.09	0.63

Datasheet

Dimensions – piston diameter 3

Download CAD data → www.festo.com

[H] Through, hollow piston rod

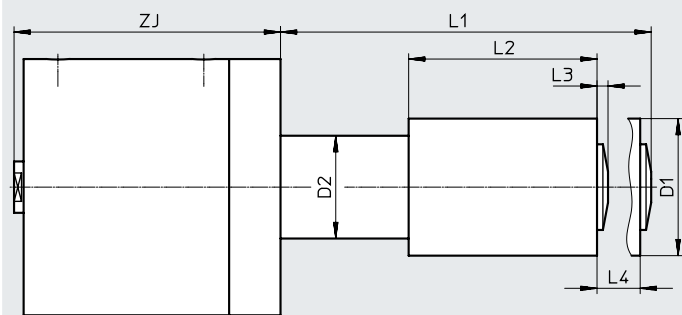


Stroke [in]	D8 ø	ZJ	ZM
1/8	1/4	2.08	2.345
1/4	1/4	2.2	2.59
1/2	1/4	2.45	3.09
3/4	1/4	2.7	3.59
1	1/4	2.95	4.09
1 1/2	1/4	3.45	5.09
2	1/4	3.95	6.09
3	1/4	4.95	8.09
4	1/4	5.95	10.09

Dimensions – piston diameter 3

Download CAD data → www.festo.com

[E] Stroke adjustment



Stroke [in]	D1 ø	D2 ø	L1	L2	L3	L4	ZJ
1/8	2	1.5	1.67	0.88	0.16	0.63	2.08
1/4	2	1.5	1.91	1	0.16	0.63	2.2
1/2	2	1.5	2.41	1.25	0.16	0.63	2.45
3/4	2	1.5	2.91	1.5	0.16	0.63	2.7
1	2	1.5	3.41	1.75	0.16	0.63	2.95
1 1/2	2	1.5	4.41	2.25	0.16	0.63	3.45
2	2	1.5	5.41	2.75	0.16	0.63	3.95
3	2	1.5	7.41	3.75	0.16	0.63	4.95
4	2	1.5	9.41	4.75	0.16	0.63	5.95

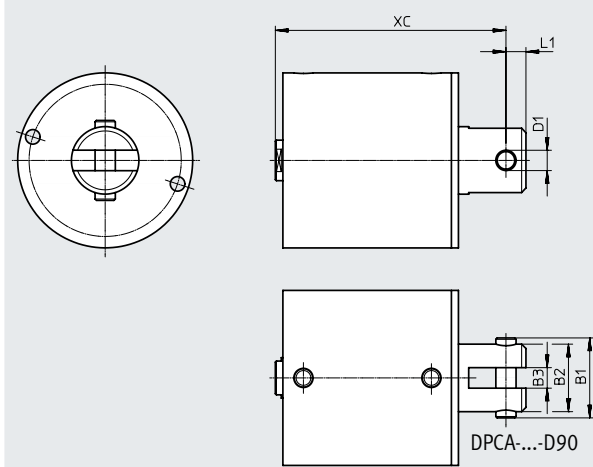
Datasheet

Dimensions – piston diameter 3

Download CAD data → www.festo.com

[D] With swivel clevis

[D90] With swivel clevis, rotated 90°



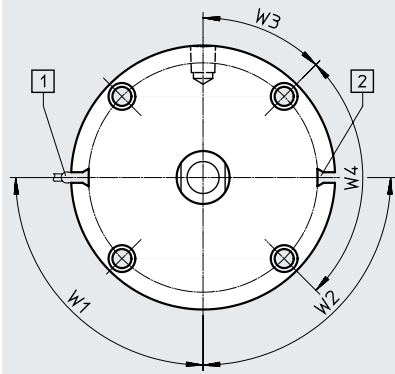
Stroke [in]	B1	B2	B3	D1 ∅	L1	XC			
							[L4]	[Q]	[Q-L4]
1/8	1.86	1.63	0.5	0.5	0.5	2.71	–	2.71	–
1/4	1.86	1.63	0.5	0.5	0.5	2.83	3.08	2.83	3.08
1/2	1.86	1.63	0.5	0.5	0.5	3.08	3.33	3.08	3.33
3/4	1.86	1.63	0.5	0.5	0.5	3.33	3.58	3.33	3.58
1	1.86	1.63	0.5	0.5	0.5	3.58	–	3.58	–
1 1/4	1.86	1.63	0.5	0.5	0.5	–	4.08	–	4.08
1 1/2	1.86	1.63	0.5	0.5	0.5	4.08	–	4.08	–
1 3/4	1.86	1.63	0.5	0.5	0.5	–	4.58	–	4.58
2	1.86	1.63	0.5	0.5	0.5	4.58	–	4.58	–
2 3/4	1.86	1.63	0.5	0.5	0.5	–	5.58	–	5.58
3	1.86	1.63	0.5	0.5	0.5	5.58	–	5.58	–
3 3/4	1.86	1.63	0.5	0.5	0.5	–	6.58	–	6.58
4	1.86	1.63	0.5	0.5	0.5	6.58	–	6.58	–

Datasheet

Dimensions – piston diameter 3

Download CAD data → www.festo.com

[A] For proximity switch



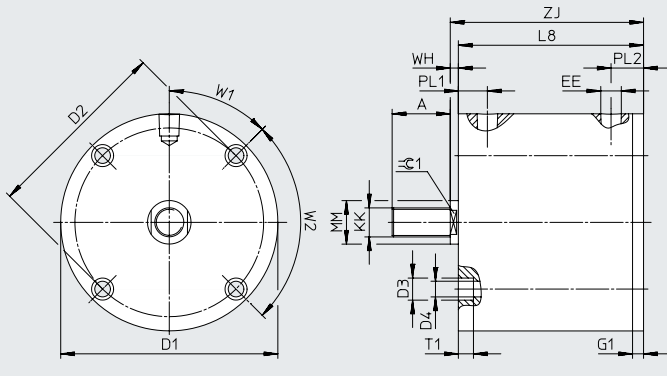
- [1] Sensor
- [2] Sensor slot

Stroke [in]	Sensor slot number				W1	W2				W3	W4
		[L4]	[Q]	[Q-L4]			[L4]	[Q]	[Q-L4]		
1/4	2	2	2	2	30°	30°	30°	30°	30°	45°	90°
1/2	2	2	2	2	30°	30°	30°	30°	30°	45°	90°
3/4	2	2	2	2	30°	30°	30°	30°	30°	45°	90°
1	2	-	2	-	30°	30°	-	30°	-	45°	90°
1 1/4	-	1	-	1	30°	-	-	-	-	45°	90°
1 1/2	1	-	1	-	30°	-	-	-	-	45°	90°
1 3/4	-	1	-	1	30°	-	-	-	-	45°	90°
2	1	-	1	-	30°	-	-	-	-	45°	90°
2 3/4	-	1	-	1	30°	-	-	-	-	45°	90°
3	1	-	1	-	30°	-	-	-	-	45°	90°
3 3/4	-	1	-	1	30°	-	-	-	-	45°	90°
4	1	-	1	-	30°	-	-	-	-	45°	90°

Datasheet

Dimensions – piston diameter 4

Download CAD data → www.festo.com



Stroke [in]	A	D1 ∅	D2 ∅	D3 ∅	D4 ∅	EE		G1				KK	
							[N]		[L4]	[Q]	[Q-L4]		[N]
1/8	1.25	5.5	5	0.38	0.27	G1/8	1/8 NPT	0.31	–	0.5	–	M16	5/8-18 UNF-2A
1/4	1.25	5.5	5	0.38	0.27	G1/8	1/8 NPT	0.31	–	0.5	–	M16	5/8-18 UNF-2A
5/16	1.25	5.5	5	0.38	0.27	G1/8	1/8 NPT	–	0.31	–	0.5	M16	5/8-18 UNF-2A
1/2	1.25	5.5	5	0.38	0.27	G1/8	1/8 NPT	0.31	–	0.5	–	M16	5/8-18 UNF-2A
1 3/16	1.25	5.5	5	0.38	0.27	G1/8	1/8 NPT	–	0.31	–	0.5	M16	5/8-18 UNF-2A
1	1.25	5.5	5	0.38	0.27	G1/8	1/8 NPT	0.31	–	0.5	–	M16	5/8-18 UNF-2A
1 5/16	1.25	5.5	5	0.38	0.27	G1/8	1/8 NPT	–	0.31	–	0.5	M16	5/8-18 UNF-2A
1 1/2	1.25	5.5	5	0.38	0.27	G1/8	1/8 NPT	0.31	–	0.5	–	M16	5/8-18 UNF-2A
1 13/16	1.25	5.5	5	0.38	0.27	G1/8	1/8 NPT	–	0.31	–	0.5	M16	5/8-18 UNF-2A
2	1.25	5.5	5	0.38	0.27	G1/8	1/8 NPT	0.31	–	0.5	–	M16	5/8-18 UNF-2A
2 13/16	1.25	5.5	5	0.38	0.27	G1/8	1/8 NPT	–	0.31	–	0.5	M16	5/8-18 UNF-2A
3	1.25	5.5	5	0.38	0.27	G1/8	1/8 NPT	0.31	–	0.5	–	M16	5/8-18 UNF-2A
3 13/16	1.25	5.5	5	0.38	0.27	G1/8	1/8 NPT	–	0.31	–	0.5	M16	5/8-18 UNF-2A
4	1.25	5.5	5	0.38	0.27	G1/8	1/8 NPT	0.31	–	0.5	–	M16	5/8-18 UNF-2A

Stroke [in]	L8			MM ∅	PL1			PL2					
		[L4]	[Q]		[Q-L4]		[L4]	[Q]	[Q-L4]		[L4]	[Q]	[Q-L4]
1/8	1.69	–	1.88	–	0.88	0.38	–	0.38	–	0.69	–	0.88	–
1/4	1.82	–	2.01	–	0.88	0.38	–	0.38	–	0.69	–	0.88	–
5/16	–	2.07	–	2.26	0.88	–	0.5	–	0.5	–	0.69	–	0.88
1/2	2.07	–	2.26	–	0.88	0.5	–	0.5	–	0.69	–	0.88	–
1 3/16	–	2.57	–	2.76	0.88	–	0.5	–	0.5	–	0.69	–	0.88
1	2.57	–	2.76	–	0.88	0.5	–	0.5	–	0.69	–	0.88	–
1 5/16	–	3.07	–	3.26	0.88	–	0.5	–	0.5	–	0.69	–	0.88
1 1/2	3.07	–	3.26	–	0.88	0.5	–	0.5	–	0.69	–	0.88	–
1 13/16	–	3.57	–	3.76	0.88	–	0.5	–	0.5	–	0.69	–	0.88
2	3.57	–	3.76	–	0.88	0.5	–	0.5	–	0.69	–	0.88	–
2 13/16	–	4.57	–	4.76	0.88	–	0.5	–	0.5	–	0.69	–	0.88
3	4.57	–	4.76	–	0.88	0.5	–	0.5	–	0.69	–	0.88	–
3 13/16	–	5.57	–	5.76	0.88	–	0.5	–	0.5	–	0.69	–	0.88
4	5.57	–	5.76	–	0.88	0.5	–	0.5	–	0.69	–	0.88	–

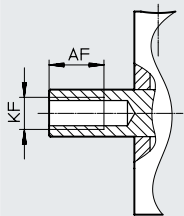
Datasheet

Stroke [in]	T1	W1	W2	WH	Z)			≈ 1	
					[L4]	[Q]	[Q-L4]		
1/8	0.26	45°	90°	0.2	1.89	–	2.08	–	0.75
1/4	0.26	45°	90°	0.2	2.02	–	2.21	–	0.75
5/16	0.26	45°	90°	0.2	–	2.27	–	2.46	0.75
1/2	0.26	45°	90°	0.2	2.27	–	2.46	–	0.75
1 3/16	0.26	45°	90°	0.2	–	2.77	–	2.96	0.75
1	0.26	45°	90°	0.2	2.77	–	2.96	–	0.75
1 5/16	0.26	45°	90°	0.2	–	3.27	–	3.46	0.75
1 1/2	0.26	45°	90°	0.2	3.27	–	3.46	–	0.75
1 1 3/16	0.26	45°	90°	0.2	–	3.77	–	3.96	0.75
2	0.26	45°	90°	0.2	3.77	–	3.96	–	0.75
2 1 3/16	0.26	45°	90°	0.2	–	4.77	–	4.96	0.75
3	0.26	45°	90°	0.2	4.77	–	4.96	–	0.75
3 1 3/16	0.26	45°	90°	0.2	–	5.77	–	5.96	0.75
4	0.26	45°	90°	0.2	5.77	–	5.96	–	0.75

Dimensions – piston diameter 4

Download CAD data → www.festo.com

[F] Internal thread



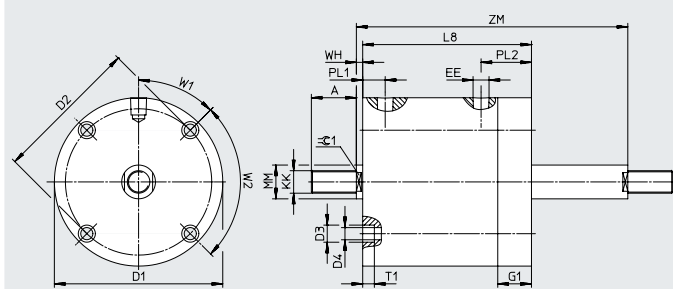
Stroke [in]	AF	AF			KF	
		[L4]	[Q]	[Q-L4]		[N]
1/8	0.5	–	0.5	–	M16	5/8-18 UNF-2B
1/4	0.5	–	0.5	–	M16	5/8-18 UNF-2B
5/16	–	0.75	–	0.75	M16	5/8-18 UNF-2B
1/2	0.75	–	0.75	–	M16	5/8-18 UNF-2B
1 3/16	–	0.88	–	0.88	M16	5/8-18 UNF-2B
1	0.88	–	0.88	–	M16	5/8-18 UNF-2B
1 5/16	–	0.88	–	0.88	M16	5/8-18 UNF-2B
1 1/2	0.88	–	0.88	–	M16	5/8-18 UNF-2B
1 1 3/16	–	0.88	–	0.88	M16	5/8-18 UNF-2B
2	0.88	–	0.88	–	M16	5/8-18 UNF-2B
2 1 3/16	–	0.88	–	0.88	M16	5/8-18 UNF-2B
3	0.88	–	0.88	–	M16	5/8-18 UNF-2B
3 1 3/16	–	0.88	–	0.88	M16	5/8-18 UNF-2B
4	0.88	–	0.88	–	M16	5/8-18 UNF-2B

Datasheet

Dimensions – piston diameter 4

Download CAD data → www.festo.com

[T] Through piston rod



Stroke [in]	A	D1 ∅	D2 ∅	D3 ∅	D4 ∅	EE		G1	KK	
							[N]			[N]
1/8	1.25	5.5	5	0.38	0.27	G1/8	1/8 NPT	0.75	M16	5/8-18 UNF-2A
1/4	1.25	5.5	5	0.38	0.27	G1/8	1/8 NPT	0.75	M16	5/8-18 UNF-2A
1/2	1.25	5.5	5	0.38	0.27	G1/8	1/8 NPT	0.75	M16	5/8-18 UNF-2A
1	1.25	5.5	5	0.38	0.27	G1/8	1/8 NPT	0.75	M16	5/8-18 UNF-2A
1 1/2	1.25	5.5	5	0.38	0.27	G1/8	1/8 NPT	0.75	M16	5/8-18 UNF-2A
2	1.25	5.5	5	0.38	0.27	G1/8	1/8 NPT	0.75	M16	5/8-18 UNF-2A
3	1.25	5.5	5	0.38	0.27	G1/8	1/8 NPT	0.75	M16	5/8-18 UNF-2A
4	1.25	5.5	5	0.38	0.27	G1/8	1/8 NPT	0.75	M16	5/8-18 UNF-2A

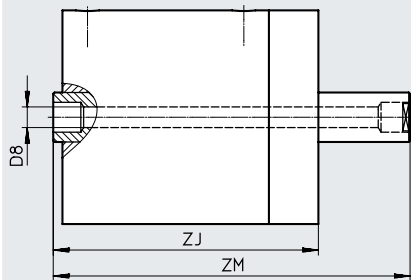
Stroke [in]	L8	MM ∅	PL1	PL2	T1	W1	W2	WH	ZM	⊕ 1
1/8	2.13	0.88	0.38	1.13	0.26	45°	90°	0.2	2.655	0.75
1/4	2.25	0.88	0.38	1.12	0.25	45°	90°	0.2	2.9	0.75
1/2	2.5	0.88	0.5	1.12	0.25	45°	90°	0.2	3.4	0.75
1	3	0.88	0.5	1.12	0.25	45°	90°	0.2	4.4	0.75
1 1/2	3.5	0.88	0.5	1.12	0.25	45°	90°	0.2	5.4	0.75
2	4	0.88	0.5	1.12	0.25	45°	90°	0.2	6.4	0.75
3	5	0.88	0.5	1.12	0.25	45°	90°	0.2	8.4	0.75
4	6	0.88	0.5	1.12	0.25	45°	90°	0.2	10.4	0.75

Datasheet

Dimensions – piston diameter 4

Download CAD data → www.festo.com

[H] Through, hollow piston rod

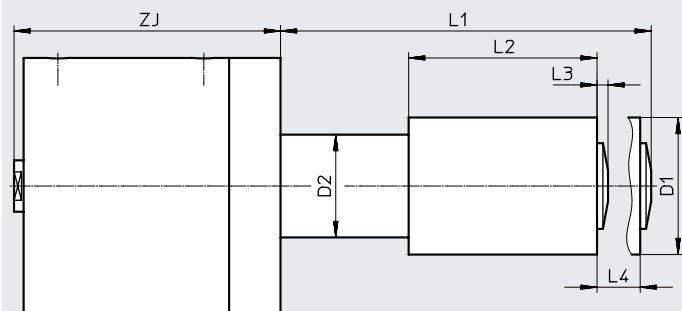


Stroke [in]	D8 ∅	ZJ	ZM
1/8	1/4	2.33	2.655
1/4	1/4	2.45	2.9
1/2	1/4	2.7	3.4
1	1/4	3.2	4.4
1 1/2	1/4	3.7	5.4
2	1/4	4.2	6.4
3	1/4	5.2	8.4
4	1/4	6.2	10.4

Dimensions – piston diameter 4

Download CAD data → www.festo.com

[E] Stroke adjustment



Stroke [in]	D1 ∅	D2 ∅	L1	L2	L3	L4	ZJ
1/8	2	1.5	1.66	0.88	0.15	0.63	2.33
1/4	2	1.5	1.91	1	0.16	0.63	2.45
1/2	2	1.5	2.41	1.25	0.16	0.63	2.7
1	2	1.5	3.41	1.75	0.16	0.63	3.2
1 1/2	2	1.5	4.41	2.25	0.16	0.63	3.7
2	2	1.5	5.41	2.75	0.16	0.63	4.2
3	2	1.5	7.41	3.75	0.16	0.63	5.2
4	2	1.5	9.41	4.75	0.16	0.63	6.2

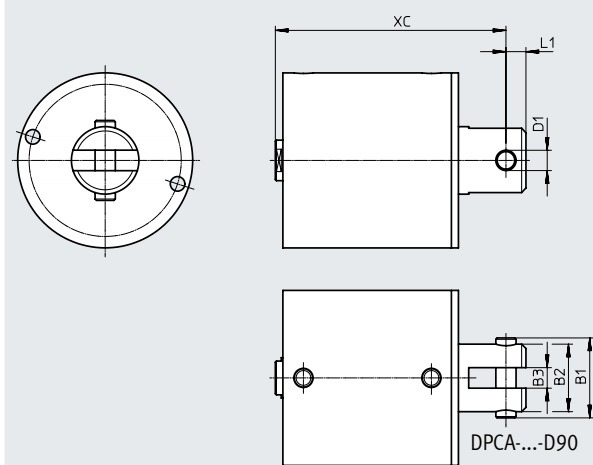
Datasheet

Dimensions – piston diameter 4

Download CAD data → www.festo.com

[D] With swivel clevis

[D90] With swivel clevis, rotated 90°



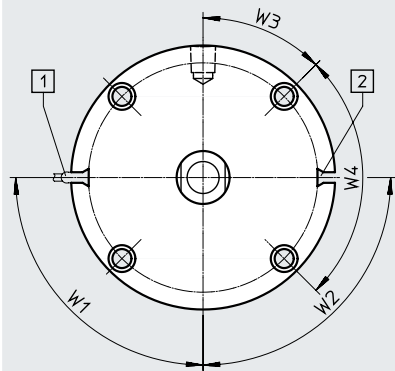
Stroke [in]	B1	B2	B3	D1 ∅	L1	XC			
						[L4]	[Q]	[Q-L4]	
1/8	2.24	2	0.63	0.625	0.63	3.33	–	3.52	–
1/4	2.24	2	0.63	0.625	0.63	3.46	–	3.65	–
5/16	2.24	2	0.63	0.625	0.63	–	3.71	–	3.9
1/2	2.24	2	0.63	0.625	0.63	3.71	–	3.9	–
1 3/16	2.24	2	0.63	0.625	0.63	–	4.21	–	4.4
1	2.24	2	0.63	0.625	0.63	4.21	–	4.4	–
1 5/16	2.24	2	0.63	0.625	0.63	–	4.71	–	4.9
1 1/2	2.24	2	0.63	0.625	0.63	4.71	–	4.9	–
1 13/16	2.24	2	0.63	0.625	0.63	–	5.21	–	5.4
2	2.24	2	0.63	0.625	0.63	5.21	–	5.4	–
2 13/16	2.24	2	0.63	0.625	0.63	–	6.21	–	6.4
3	2.24	2	0.63	0.625	0.63	6.21	–	6.4	–
3 13/16	2.24	2	0.63	0.625	0.63	–	7.21	–	7.4
4	2.24	2	0.63	0.625	0.63	7.21	–	7.4	–

Datasheet

Dimensions – piston diameter 4

Download CAD data → www.festo.com

[A] For proximity switch



- [1] Sensor
- [2] Sensor slot

Stroke [in]	Sensor slot number				W1	W2				W3	W4
		[L4]	[Q]	[Q-L4]			[L4]	[Q]	[Q-L4]		
1/4	2	–	2	–	30°	30°	–	30°	–	45°	90°
5/16	–	2	–	2	30°	–	30°	–	30°	45°	90°
1/2	2	–	2	–	30°	30°	–	30°	–	45°	90°
1 3/16	–	2	–	2	30°	–	30°	–	30°	45°	90°
1	2	–	2	–	30°	30°	–	30°	–	45°	90°
1 5/16	–	1	–	1	30°	–	–	–	–	45°	90°
1 1/2	1	–	1	–	30°	–	–	–	–	45°	90°
1 13/16	–	1	–	1	30°	–	–	–	–	45°	90°
2	1	–	1	–	30°	–	–	–	–	45°	90°
2 13/16	–	1	–	1	30°	–	–	–	–	45°	90°
3	1	–	1	–	30°	–	–	–	–	45°	90°
3 13/16	–	1	–	1	30°	–	–	–	–	45°	90°
4	1	–	1	–	30°	–	–	–	–	45°	90°

Ordering data – Modular product system

Ordering table											
Piston diameter	1/2	3/4	1 1/8	1 5/8	2	2 1/2	3	4	Conditions	Code	Enter code
Module no.	8104871	8104872	8104873	8104874	8104875	8104876	8104877	8104878			
Function	Compact cylinder, double-acting									DPCA	DPCA
System of units	Metric										
	Inch									-N	
Anti-twist protection	Without										
	With anti-twist protection									[1]	-Q
Running characteristics	Standard										
	Additional PTFE piston guide									[2]	L4
Piston diameter	1/2"	3/4"	1 1/8"	1 5/8"	2"	2 1/2"	3"	4"		-..."	
Stroke											
1/16"	1)	1)	2)	-	-	-	-	-		-1/16"	
1/8"				1)		1)	1)	1)		-1/8"	
3/16"	-	-	1)	-	-	-	-	-		-3/16"	
1/4"			1)					1)		-1/4"	
5/16"	-	-	-	-	-	-	-	2)		-5/16"	
3/8"			2)	-	1)	-	-	-		-3/8"	
1/2"			1)					1)		-1/2"	
5/8"			2)	-	-	-	-	-		-5/8"	
3/4"	1)	1)	1)					-		-3/4"	
1 3/16"	-	-	-	-	-	-	-	2)		-1 3/16"	
7/8"	-	-	2)	-	-	-	-	-		-7/8"	
1"			1)	1)	1)	1)	1)	1)		-1"	
1 1/8"	-	-	2)	-	-	-	-	-		-1 1/8"	
1 1/4"			1)	2)	2)	2)	2)	-		-1 1/4"	
1 5/16"	-	-	-	-	-	-	-	2)		-1 5/16"	
1 3/8"	-	-	2)	-	-	-	-	-		-1 3/8"	
1 1/2"			1)	1)	1)	1)	1)	1)		-1 1/2"	
1 5/8"	-	-	2)	-	-	-	-	-		-1 5/8"	
1 3/4"	-	-	1)	2)	2)	2)	2)	-		-1 3/4"	
1 1 3/16"	-	-	-	-	-	-	-	2)		-1 1 3/16"	
1 7/8"	-	-	2)	-	-	-	-	-		-1 7/8"	
2"			1)	1)	1)	1)	1)	1)		-2"	
2 3/4"	-	-	-	2)	2)	2)	2)	-		-2 3/4"	
2 1 3/16"	-	-	-	-	-	-	-	2)		-2 1 3/16"	
2 7/8"	-	-	2)	-	-	-	-	-		-2 7/8"	
3"			1)	1)	1)	1)	1)	1)		-3"	
3 3/4"	-	-	-	2)	2)	2)	2)	-		-3 3/4"	
3 1 3/16"	-	-	-	-	-	-	-	2)		-3 1 3/16"	
3 7/8"	-	-	2)	-	-	-	-	-		-3 7/8"	
4"			1)	1)	1)	1)	1)	1)		-4"	
Stroke adjustment	Without										
	Advancing/front									[3]	E
Function	Double-acting										

[1] Q
Not with noise reduction SL, SL2

[2] L4
Not with stroke adjustment E
Not with piston rod type H, T

[3] E
Not with running characteristic L4
Not with piston rod type H, T
Not with type of mounting D, U, D90, U90

1) Only with standard running characteristic
2) Only with running characteristic L4

Ordering data – Modular product system

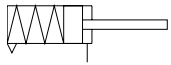
Ordering table												
Piston diameter	1/2	3/4	1 1/8	1 5/8	2	2 1/2	3	4	Conditions	Code	Enter code	
Piston rod type	At one end											
	Through, hollow piston rod									[4] [5]	H	
	Through piston rod									[4]	T	
Piston rod thread type	External thread											
	Internal thread										F	
Type of mounting	Standard											
	With swivel clevis									[6]	-D	
	With swiveling rod eye									[6]	-U	
	With swivel clevis, rotated 90°									[6]	-D90	
	With swiveling rod eye, rotated 90°									[6]	-U90	
Cushioning	No cushioning										-N	
	Flexible cushioning rings/pads at both ends										-P	
	Flexible cushioning rings/pads at front										-P2	
	Flexible cushioning rings/pads at rear										-P3	
Noise reduction	Without											
	-	-	Both sides						[7]	SL		
	-	-	Front						[8]	SL2		
	-	-	Rear						[9]	SL3		
Position sensing	Without											
	For proximity switch									[10]	A	
Scraper variant	None											
	Increased chemical resistance										-A1	

- [4] H, T
Not with running characteristic L4
Not with stroke adjustment E
Not with type of mounting D, U, D90, U90
- [5] H
Not with external piston rod type thread
- [6] D, U, D90, U90
Not with stroke adjustment E
Not with piston rod type H, T
- [7] SL
Not with anti-twist protection Q
Not with cushioning P, P2, P3
- [8] SL2
Not with anti-twist protection Q
Not with cushioning P, P2
- [9] SL3
Not with cushioning P, P3
- [10] A
Not with stroke 1/16, 3/16
Not with stroke 1/8 for piston diameter 1/2, 3/4, 1 1/8, 1 5/8, 2 1/2, 3, 4
Not with stroke 1/8 for piston diameter 2 and standard running characteristic
Not with stroke 1/4 for piston diameter 1/2, 3/4 and standard running characteristic
Not with stroke 1/4 for piston diameter 1 1/8
Not with stroke 1/4 for piston diameter 1 5/8 and standard running characteristic and anti-twist protection Q
Not with stroke 3/8 for piston diameter 1 1/8 and anti-twist protection Q
Not with stroke 1/2 for piston diameter 1 1/8 and anti-twist protection Q
Not with cushioning P, P2 for piston diameter 1/2, 1 1/8, 1 5/8, 2

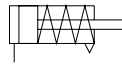
Datasheet



Function

DPCA-...-P



DPCA-...-S



-  Diameter
1/2 ... 3 inch
-  Stroke length
1/16 ... 2 inch



General technical data						
Piston diameter	1/2	3/4	1 1/8	1 5/8	2	2 1/2 3
Design	Piston					
	Piston rod					
	Cylinder barrel					
Mode of operation						
[P]	Single-acting, pulling (piston rod advanced by spring force)					
[S]	Single-acting, pushing (piston rod retracted by spring force)					
Piston rod end	External thread					
	Internal thread					
Pneumatic connection						
[I]	M5		G1/8			
[N]	10-32 UNF-2B		1/8 NPT			
Piston rod thread						
[I]	8-32 UNC-2A	10-32 UNF-2A	5/16-24 UNF-2A	3/8-24 UNF-2A	1/2-20 UNF-2A	
[F]	8-32 UNC-2B	10-32 UNF-2B	5/16-24 UNF-2B	3/8-24 UNF-2B	1/2-20 UNF-2B	
Stroke	[in]	1/16 ... 2		1/8 ... 1 1/2		
Cushioning						
[P2]	Flexible cushioning rings/pads at front ¹⁾					
[P3]	Flexible cushioning rings/pads at rear ²⁾					
Type of mounting						
	With through-hole					
	With accessories					
[U]	With swiveling rod eye on end cap				-	
[D]	With swivel clevis on end cap					
[U90]	With swiveling rod eye on end cap rotated 90°				-	
[D90]	With swivel clevis on end cap rotated 90°					
Mounting position	Any					

- 1) Not variant single-acting, pushing (piston rod retracted by spring force)
- 2) Not variant single-acting, pulling (piston rod advanced by spring force)

Datasheet

Operating and environmental conditions		1/2	3/4	1 1/8	1 5/8	2	2 1/2	3
Piston diameter								
Operating pressure [psi]		15 ... 150						
Operating medium		Compressed air to ISO 8573-1:2010 [7:4:4]						
Information on operating and pilot media		Operation with oil lubrication possible (required for further use)						
Ambient temperature ¹⁾ [°F]		-25 ... +250						

1) Note operating range of proximity switches

Weight [lb]		1/2	3/4	1 1/8	1 5/8	2	2 1/2	3
Piston diameter								
Product weight		0.08 ... 0.46	0.14 ... 0.81	0.28 ... 1.39	0.6 ... 3.8	0.89 ... 3.95	1.43 ... 4.73	1.89 ... 5.72

Materials	
Cover	Wrought aluminum alloy
Dynamic seals	NBR
	FPM
Piston rod	High-alloy steel
Cylinder barrel	Wrought aluminum alloy
Note on materials	Contains paint-wetting impairment substances
	RoHS-compliant

Datasheet

Forces [lbs] at 80 psi							
Piston diameter	1/2	3/4	1 1/8	1 5/8	2	2 1/2	3
[P] Single-acting, pulling (piston rod advanced by spring force)							
Stroke start/stroke end [in]							
1/16	10.3/9	26.8/25.8	–	–	–	–	–
1/8	10.3/9	26.1/24.3	5 8/55.5	127.5/121	207.5/201	351.4/345.6	524.2/518.4
3/16	–	–	59/55.5	–	–	–	–
1/4	11.3/9	27.3/24.3	60/55.5	131.5/121	211.5/201	355.1/345.6	518.4/511.9
3/8	10.8/8.8	26.3/24.1	–	–	206.5/196	–	–
1/2	11.3/8.8	26.8/24.1	60.5/52.5	130.5/117.5	209/196	352.1/339.1	523.9/514.9
5/8	–	–	–	–	–	–	–
3/4	–	–	60.1/46.9	132/118.5	210/198	352.6/342.1	525.4/514.9
1	–	–	60.7/45.8	131.2/116	211.3/196	352.4/337.1	525.4/514.9
1 1/4	–	–	61.5/47.2	–	–	–	–
1 1/2	–	–	59.7/45.9	–	–	–	525.2/509.9
1 3/4	–	–	–	–	–	–	–
2	–	–	–	–	–	–	–
[S] single-acting, pushing (piston rod retracted by spring force)							
Stroke start/stroke end [in]							
1/16	14/12.8	33.2/32.2	–	–	–	–	–
1/8	14/12.8	32.5/30.7	73.2/70.7	150.6/145.6	239.2/233.2	380.8/374.8	553.6/547.6
3/16	–	–	74.2/70.7	–	–	–	–
1/4	15.1/12.8	33.7/30.7	75.2/70.7	157.1/145.6	245/233.2	386.8/374.8	553.6/547.1
3/8	14.8/12.8	32.7/30.5	–	–	239.2/230.2	–	–
1/2	15.3/12.8	33.2/30.5	75.4/67.4	157.1/145.6	244.2/231.2	385.8/372.8	559.1/550.1
5/8	14.1/12.5	32.7/30.4	–	–	–	–	–
3/4	14.8/12.8	32.7/30.4	74.8/61.5	159.6/147.6	246.2/235.7	387.8/377.3	560.6/550.1
1	15/12.5	33/30.3	75.5/60.6	160.8/145.6	246.5/231.2	388.1/372.8	560.9/545.6
1 1/4	14.3/10.3	33.7/30.2	74.2/61.4	–	–	–	–
1 1/2	14.7/10.7	33.9/29.9	74.6/60.9	159.6/147.6	246.2/231.2	385.5/372.8	558.3/545.6
1 3/4	–	–	76.7/57	–	–	–	–
2	14.7/9.3	33.9/28.5	76.4/61.5	–	–	–	–

Datasheet

Forces [lbs] at 80 psi							
Piston diameter	1/2	3/4	1 1/8	1 5/8	2	2 1/2	3
[P] Single-acting, pulling (piston rod advanced by spring force)							
[L4] additional PTFE piston guide							
Stroke start/stroke end [in]							
1/16	–	–	59/55.5	–	–	–	–
1/8	10.3/9	27.3/24.3	60/55.5	–	205.3/198	–	–
1/4	10.3/9	26.3/24	–	131.5/121	209/196	346.4/339.1	518.7/513.3
3/8	11.3/9	26.8/24	60.5/55.5	–	–	–	–
1/2	–	–	–	130.5/117.5	210/198	345.2/336.5	519.8/511.1
5/8	–	–	57.9/46.9	–	–	–	–
3/4	–	–	–	132/118.5	211.3/196	347.4/335	521.9/509.6
7/8	–	–	58.9/45.8	–	–	–	–
1	–	–	–	–	–	–	–
1 1/8	–	–	60/47.2	–	–	–	–
1 1/4	–	–	–	–	–	–	–
1 3/8	–	–	58.5/45.9	–	–	–	–
1 1/2	–	–	–	–	–	–	–
1 5/8	–	–	–	–	–	–	–
1 7/8	–	–	–	–	–	–	–
2	–	–	–	–	–	–	–
[S] single-acting, pushing (piston rod retracted by spring force)							
[L4] additional PTFE piston guide							
Stroke start/stroke end [in]							
1/16	–	–	74.2/70.7	–	–	–	–
1/8	13.2/12.8	32.4/30.7	75.2/70.7	–	239.9/230.2	–	–
1/4	14/12.8	33.7/30.7	–	157.1/145.6	243.9/231.2	379.7/372.8	553.9/548.6
3/8	14.8/12.8	32.7/30.4	75.4/67.4	–	–	–	–
1/2	14.1/12.5	32.7/30.4	–	157.1/145.6	245/235.7	382.2/377.3	555/546.3
5/8	14.1/12.5	32.7/30.4	74.8/61.5	–	–	–	–
3/4	16	–	–	159.6/147.6	243.6/231.2	384.8/372.8	557.7/545.6
7/8	–	–	75.5/60.6	–	–	–	–
1	15/12.5	33.7/30.3	–	–	–	–	–
1 1/8	–	–	74.2/61.4	–	–	–	–
1 1/4	14.3/10.3	34/30.2	–	158.5/145.6	246.4/231.2	383.3/372.8	556.1/545.6
1 3/8	–	–	74.6/60.9	–	–	–	–
1 1/2	14.7/10.7	33.9/29.9	–	–	–	–	–
1 5/8	–	–	76.7/57	–	–	–	–
1 7/8	–	–	76.4/61.5	–	–	–	–
2	14.7/10.7	33.9/28.9	–	–	–	–	–

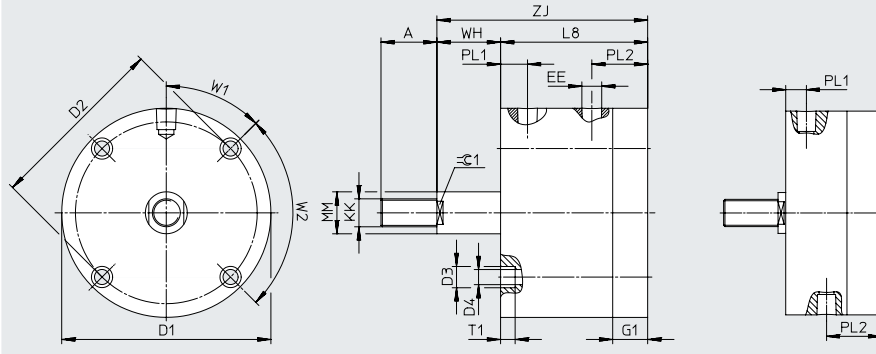
Datasheet

Dimensions – piston diameter 1/2

Download CAD data → www.festo.com

[P] Single-acting, pulling (piston rod advanced by spring force)

DPCA-...-1/16"...1/4"
DPCA-...-L4-...-1/8"



Stroke [in]	A	D1 ∅	D2 ∅	D3 ∅	D4 ∅	EE		G1	KK		L8	
							[N]			[N]		[L4]
1/16	0.5	1.13	0.88	0.23	0.14	M5	10-32	0.19	M4	8-32 UNC-2A	0.7575	-
1/8	0.5	1.13	0.88	0.23	0.14	M5	10-32	0.19	M4	8-32 UNC-2A	0.905	1.005
1/4	0.5	1.13	0.88	0.23	0.14	M5	10-32	0.19	M4	8-32 UNC-2A	1.01	1.29
3/8	0.5	1.13	0.88	0.23	0.14	M5	10-32	0.19	M4	8-32 UNC-2A	1.295	1.415
1/2	0.5	1.13	0.88	0.23	0.14	M5	10-32	0.19	M4	8-32 UNC-2A	1.42	-

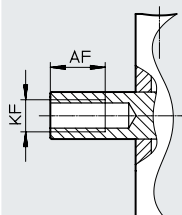
Stroke [in]	MM ∅	PL1		PL2	T1		W1	W2	WH	ZJ		1.25
			[L4]			[L4]					[L4]	
1/16	0.25	0.3275	-	0.31	0.1275	-	90°	-	0.1925	0.95	-	0.19
1/8	0.25	0.325	0.325	0.31	0.135	0.125	90°	-	0.255	1.16	1.26	0.19
1/4	0.25	0.33	0.32	0.31	0.13	0.13	90°	-	0.38	1.39	1.67	0.19
3/8	0.25	0.325	0.325	0.31	0.135	0.125	90°	-	0.505	1.8	1.92	0.19
1/2	0.25	0.33	-	0.31	0.13	-	90°	-	0.63	2.05	-	0.19

Dimensions – piston diameter 1/2

Download CAD data → www.festo.com

[P] Single-acting, pulling (piston rod advanced by spring force)

[F] Internal thread



Stroke [in]	AF	AF [L4]	KF	
				[N]
1/16	0.25	-	M4	8-32 UNC-2B
1/8	0.25	0.25	M4	8-32 UNC-2B
1/4	0.25	0.25	M4	8-32 UNC-2B
3/8	0.38	0.38	M4	8-32 UNC-2B
1/2	0.38	-	M4	8-32 UNC-2B

Datasheet

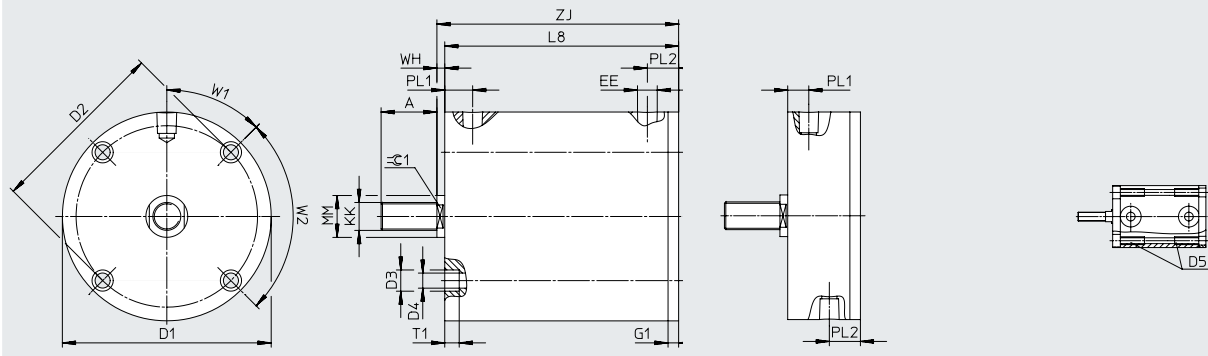
Dimensions – piston diameter 1/2

Download CAD data → www.festo.com

[S] Single-acting, pushing (piston rod retracted by spring force)

DPCA-...-1/16"...1/4"
DPCA-...-L4-...-1/8"

DPCA-...-5/8"...2"
DPCA-...-L4-...-1/2"...2"



Stroke [in]	A	D1 ∅	D2 ∅	D3 ∅		D4 ∅		D5		EE		G1	KK	
					[L4]		[L4]		[L4]		[N]			[N]
1/16	0.5	1.13	0.88	0.23	-	0.14	-	-	-	M4	10-32	0.13	M4	8-32 UNC-2A
1/8	0.5	1.13	0.88	0.23	0.23	0.14	0.14	-	-	M4	10-32	0.13	M4	8-32 UNC-2A
1/4	0.5	1.13	0.88	0.23	0.23	0.14	0.14	-	-	M4	10-32	0.13	M4	8-32 UNC-2A
3/8	0.5	1.13	0.88	0.23	0.23	0.14	0.14	-	-	M4	10-32	0.13	M4	8-32 UNC-2A
1/2	0.5	1.13	0.88	0.23	-	0.14	-	-	6-32x0.44	M4	10-32	0.13	M4	8-32 UNC-2A
5/8	0.5	1.13	0.88	-	-	-	-	6-32x0.44	6-32x0.44	M4	10-32	0.13	M4	8-32 UNC-2A
3/4	0.5	1.13	0.88	-	-	-	-	6-32x0.44	-	M4	10-32	0.13	M4	8-32 UNC-2A
1	0.5	1.13	0.88	-	-	-	-	6-32x0.44	6-32x0.44	M4	10-32	0.13	M4	8-32 UNC-2A
1 1/4	0.5	1.13	0.88	-	-	-	-	6-32x0.44	6-32x0.44	M4	10-32	0.13	M4	8-32 UNC-2A
1 1/2	0.5	1.13	0.88	-	-	-	-	6-32x0.44	6-32x0.44	M4	10-32	0.13	M4	8-32 UNC-2A
2	0.5	1.13	0.88	-	-	-	-	6-32x0.44	6-32x0.44	M4	10-32	0.13	M4	8-32 UNC-2A

Stroke [in]	L8		MM ∅	PL1	PL2	T1		W1	W2	WH	ZJ		≈C 1
		[L4]					[L4]					[L4]	
1/16	0.7	-	0.25	0.33	0.31	0.14	-	90°	-	0.13	0.83	-	0.19
1/8	0.83	0.95	0.25	0.33	0.31	0.14	0.14	90°	-	0.13	0.96	1.08	0.19
1/4	0.95	1.23	0.25	0.33	0.31	0.14	0.14	90°	-	0.13	1.08	1.36	0.19
3/8	1.23	1.36	0.25	0.33	0.31	0.14	0.14	90°	-	0.13	1.36	1.49	0.19
1/2	1.36	1.7	0.25	0.33	0.31	0.14	-	90°	-	0.13	1.49	1.83	0.19
5/8	1.7	2.2	0.25	0.33	0.31	-	-	90°	-	0.13	1.83	2.33	0.19
3/4	2.2	-	0.25	0.33	0.31	-	-	90°	-	0.13	2.33	-	0.19
1	2.83	2.83	0.25	0.42	0.31	-	-	90°	-	0.13	2.96	-	0.19
1 1/4	2.83	2.83	0.25	0.42	0.31	-	-	90°	-	0.13	2.96	-	0.19
1 1/2	3.83	3.83	0.25	0.42	0.31	-	-	90°	-	0.13	3.96	-	0.19
2	3.83	3.83	0.25	0.42	0.31	-	-	90°	-	0.13	3.96	-	0.19

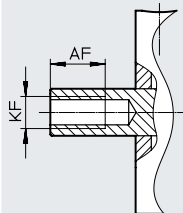
Datasheet

Dimensions – piston diameter 1/2

Download CAD data → www.festo.com

[S] Single-acting, pushing (piston rod retracted by spring force)

[F] Internal thread



Stroke [in]	AF	KF		
		AF [L4]		[N]
1/16	0.25	–	M4	8-32 UNC-2B
1/8	0.25	0.38	M4	8-32 UNC-2B
1/4	0.38	0.38	M4	8-32 UNC-2B
3/8	0.38	0.38	M4	8-32 UNC-2B
1/2	0.38	0.38	M4	8-32 UNC-2B
5/8	0.38	0.38	M4	8-32 UNC-2B
3/4	0.38	–	M4	8-32 UNC-2B
1	0.38	0.38	M4	8-32 UNC-2B
1 1/4	0.38	0.38	M4	8-32 UNC-2B
1 1/2	0.38	0.38	M4	8-32 UNC-2B
2	0.38	0.38	M4	8-32 UNC-2B

Datasheet

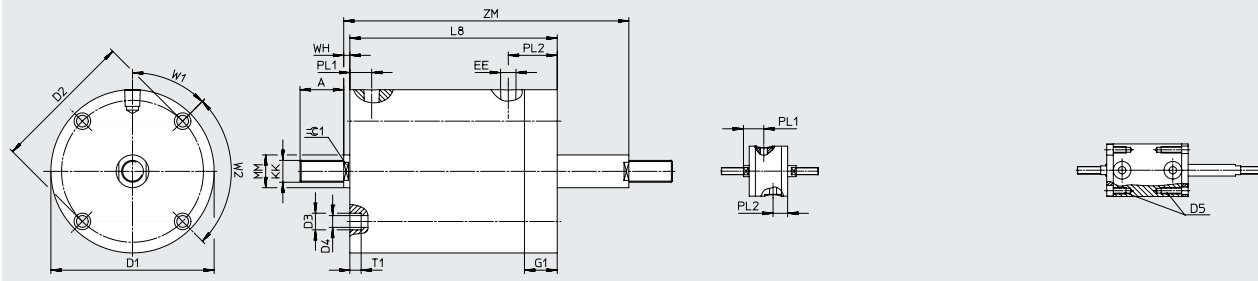
Dimensions – piston diameter 1/2

Download CAD data → www.festo.com

[T] Through piston rod

DPCA-...-1/16" ...1/4"

DPCA-...-5/8" ...2"



Stroke [in]	A	D1 ∅	D2 ∅	D3 ∅	D4 ∅	D5	EE		G1	KK	
								[N]			[N]
1/16	0.5	1.13	0.88	0.23	0.14	-	M5	10-32	0.14	M4	8-32 UNC-2A
1/8	0.5	1.13	0.88	0.23	0.14	-	M5	10-32	0.14	M4	8-32 UNC-2A
1/4	0.5	1.13	0.88	0.23	0.14	-	M5	10-32	0.14	M4	8-32 UNC-2A
3/8	0.5	1.13	0.88	0.23	0.14	-	M5	10-32	0.14	M4	8-32 UNC-2A
1/2	0.5	1.13	0.88	0.23	0.14	-	M5	10-32	0.14	M4	8-32 UNC-2A
5/8	0.5	1.13	0.88	-	-	6-32x0.44	M5	10-32	0.14	M4	8-32 UNC-2A
3/4	0.5	1.13	0.88	-	-	6-32x0.44	M5	10-32	0.14	M4	8-32 UNC-2A
1	0.5	1.13	0.88	-	-	6-32x0.44	M5	10-32	0.14	M4	8-32 UNC-2A
1 1/4	0.5	1.13	0.88	-	-	6-32x0.44	M5	10-32	0.14	M4	8-32 UNC-2A
1 1/2	0.5	1.13	0.88	-	-	6-32x0.44	M5	10-32	0.14	M4	8-32 UNC-2A
2	0.5	1.13	0.88	-	-	6-32x0.44	M5	10-32	0.14	M4	8-32 UNC-2A

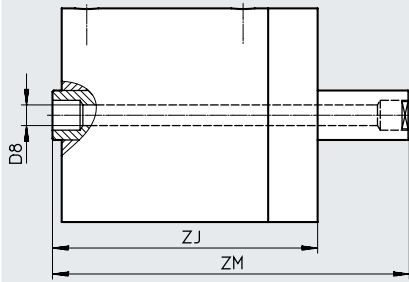
Stroke [in]	L8	MM ∅	PL1	PL2	T1	W1	W2	WH	ZM	⊖ 1
1/16	0.87	0.25	0.33	0.33	0.14	90°	-	0.13	1.1925	0.19
1/8	1	0.25	0.33	0.33	0.14	90°	-	0.13	1.385	0.19
1/4	1.12	0.25	0.33	0.33	0.14	90°	-	0.13	1.63	0.19
3/8	1.42	0.25	0.33	0.33	0.14	90°	-	0.13	2.055	0.19
1/2	1.54	0.25	0.33	0.33	0.14	90°	-	0.13	2.3	0.19
5/8	1.75	0.25	0.33	0.33	-	90°	-	0.13	2.635	0.19
3/4	2.25	0.25	0.33	0.33	-	90°	-	0.13	3.26	0.19
1	2.75	0.25	0.33	0.33	-	90°	-	0.13	4.01	0.19
1 1/4	2.75	0.25	0.33	0.33	-	90°	-	0.13	4.26	0.19
1 1/2	3.75	0.25	0.33	0.33	-	90°	-	0.13	5.51	0.19
2	3.75	0.25	0.33	0.33	-	90°	-	0.13	6.01	0.19

Datasheet

Dimensions – piston diameter 1/2

Download CAD data → www.festo.com

[H] Through, hollow piston rod



Stroke [in]	D8 ∅	ZJ	ZM
1/16	1/16	1	1.1925
1/8	1/16	1	1.255
1/4	1/16	1.13	1.51
3/8	1/16	1.25	1.755
1/2	1/16	1.38	2.01
5/8	1/16	1.5	2.255
3/4	1/16	1.63	2.51
1	1/16	1.88	3.01
1 1/4	1/16	2.13	3.51
1 1/2	1/16	2.38	4.01
2	1/16	2.88	5.01

Dimensions – piston diameter 1/2

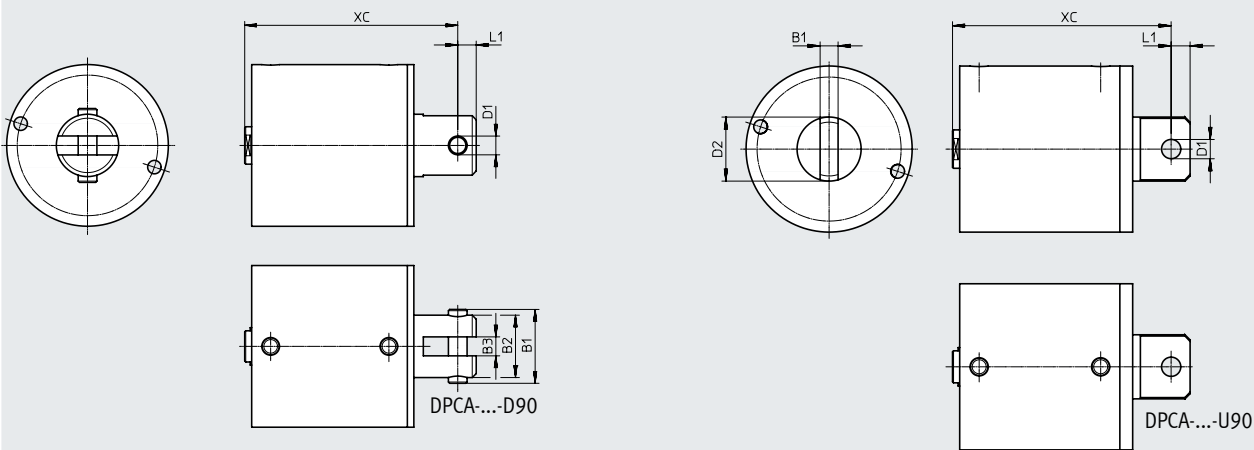
Download CAD data → www.festo.com

[D] With swivel clevis

[U] With swiveling rod eye

[D90] With swivel clevis, rotated 90°

[U90] With swiveling rod eye, rotated 90°



Stroke [in]	B1		B2	B3	D1 ∅		D2 ∅	L1	XC			
	[D/D90]	[U/U90]			[D/D90]	[U/U90]			[S]	[L4-S]	[P]	[L4-P]
1/16	0.83	0.23	0.63	0.25	0.25	0.251	0.63	0.25	1.27	-	1.39	-
1/8	0.83	0.23	0.63	0.25	0.25	0.251	0.63	0.25	1.4	1.52	1.6	1.7
1/4	0.83	0.23	0.63	0.25	0.25	0.251	0.63	0.25	1.52	1.8	1.83	2.11
3/8	0.83	0.23	0.63	0.25	0.25	0.251	0.63	0.25	1.8	1.93	2.24	2.36
1/2	0.83	0.23	0.63	0.25	0.25	0.251	0.63	0.25	1.93	2.27	2.49	-
5/8	0.83	0.23	0.63	0.25	0.25	0.251	0.63	0.25	2.27	2.77	-	-
3/4	0.83	0.23	0.63	0.25	0.25	0.251	0.63	0.25	2.77	-	-	-
1	0.83	0.23	0.63	0.25	0.25	0.251	0.63	0.25	3.4	3.4	-	-
1 1/4	0.83	0.23	0.63	0.25	0.25	0.251	0.63	0.25	3.4	3.4	-	-
1 1/2	0.83	0.23	0.63	0.25	0.25	0.251	0.63	0.25	4.4	4.4	-	-
2	0.83	0.23	0.63	0.25	0.25	0.251	0.63	0.25	4.4	4.4	-	-

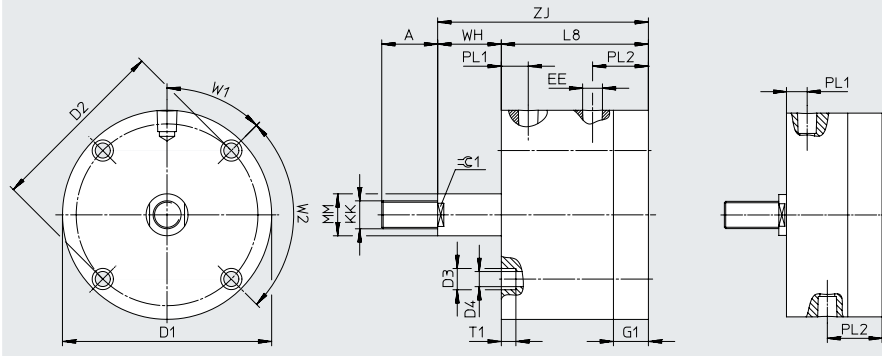
Datasheet

Dimensions – piston diameter 3/4

Download CAD data → www.festo.com

[P] Single-acting, pulling (piston rod advanced by spring force)

DPCA-...-1/16"...1/4"
DPCA-...-L4-...-1/8"



Stroke [in]	A	D1 ø	D2 ø	D3 ø	D4 ø		EE		G1	KK		L8	
					[L4]	[L4]	[N]	[N]		[N]	[L4]		
1/16	0.5	1.5	1.19	0.23	0.14	–	M5	10-32	0.19	M5	10-32 UNF-2A	0.7575	–
1/8	0.5	1.5	1.19	0.23	0.14	0.13	M5	10-32	0.19	M5	10-32 UNF-2A	0.905	1.005
1/4	0.5	1.5	1.19	0.23	0.14	0.13	M5	10-32	0.19	M5	10-32 UNF-2A	1.01	1.29
3/8	0.5	1.5	1.19	0.23	0.14	0.13	M5	10-32	0.19	M5	10-32 UNF-2A	1.295	1.415
1/2	0.5	1.5	1.19	0.23	0.14	–	M5	10-32	0.19	M5	10-32 UNF-2A	1.42	–

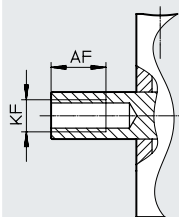
Stroke [in]	MM ø	PL1		PL2	T1		W1	W2	WH	ZJ		⌀ 1
		[L4]	[L4]		[L4]	[L4]						
1/16	0.31	0.3275	–	0.31	0.1275	–	90°	–	0.1925	0.95	–	0.25
1/8	0.31	0.325	0.325	0.31	0.135	0.125	90°	–	0.255	1.16	1.26	0.25
1/4	0.31	0.33	0.32	0.31	0.13	0.13	90°	–	0.38	1.39	1.67	0.25
3/8	0.31	0.325	0.325	0.31	0.135	0.125	90°	–	0.505	1.8	1.92	0.25
1/2	0.31	0.33	–	0.31	0.13	–	90°	–	0.63	2.05	–	0.25

Dimensions – piston diameter 3/4

Download CAD data → www.festo.com

[P] Single-acting, pulling (piston rod advanced by spring force)

[F] Internal thread



Stroke [in]	AF	AF		KF	
		[L4]	[L4]	[N]	[N]
1/16	0.25	–	–	M5	10-32 UNF-2B
1/8	0.25	0.25	–	M5	10-32 UNF-2B
1/4	0.25	0.25	–	M5	10-32 UNF-2B
3/8	0.38	0.38	–	M5	10-32 UNF-2B
1/2	0.38	–	–	M5	10-32 UNF-2B

Datasheet

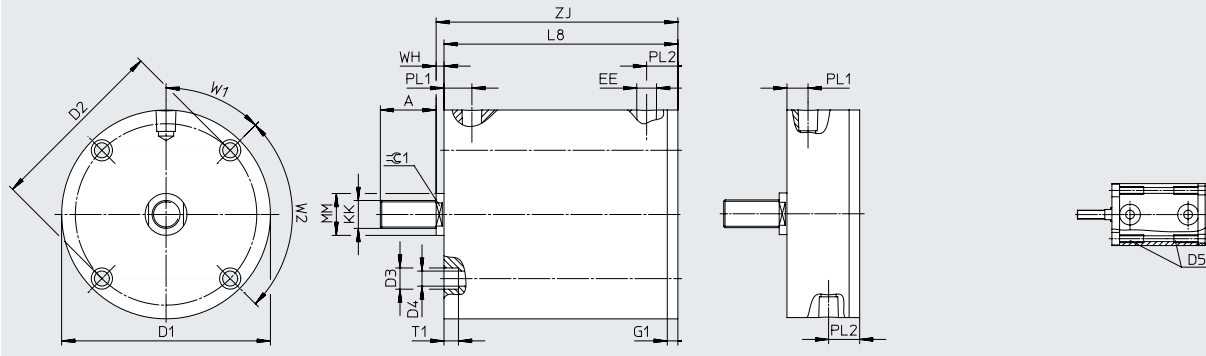
Dimensions – piston diameter 3/4

Download CAD data → www.festo.com

[S] Single-acting, pushing (piston rod retracted by spring force)

DPCA-...-1/16" ... 1/4"
DPCA-...-L4-...-1/8"

DPCA-...-5/8" ... 2"
DPCA-...-L4-...-1/2" ... 2"



Stroke [in]	A	D1 ∅	D2 ∅	D3 ∅		D4 ∅		D5		EE		G1	KK	
				[L4]	[L4]	[L4]	[L4]	[N]	[N]					
1/16	0.5	1.5	1.19	0.23	–	0.14	–	–	–	M5	10-32	0.13	M5	10-32 UNF-2A
1/8	0.5	1.5	1.19	0.23	0.23	0.14	0.13	–	–	M5	10-32	0.13	M5	10-32 UNF-2A
1/4	0.5	1.5	1.19	0.23	0.23	0.14	0.13	–	–	M5	10-32	0.13	M5	10-32 UNF-2A
3/8	0.5	1.5	1.19	0.23	0.23	0.14	0.13	–	–	M5	10-32	0.13	M5	10-32 UNF-2A
1/2	0.5	1.5	1.19	0.23	–	0.14	–	–	8-32x0.44	M5	10-32	0.13	M5	10-32 UNF-2A
5/8	0.5	1.5	1.19	–	–	–	–	8-32x0.44	8-32x0.44	M5	10-32	0.13	M5	10-32 UNF-2A
3/4	0.5	1.5	1.19	–	–	–	–	8-32x0.44	–	M5	10-32	0.13	M5	10-32 UNF-2A
1	0.5	1.5	1.19	–	–	–	–	8-32x0.44	8-32x0.44	M5	10-32	0.13	M5	10-32 UNF-2A
1 1/4	0.5	1.5	1.19	–	–	–	–	8-32x0.44	8-32x0.44	M5	10-32	0.13	M5	10-32 UNF-2A
1 1/2	0.5	1.5	1.19	–	–	–	–	8-32x0.44	8-32x0.44	M5	10-32	0.13	M5	10-32 UNF-2A
2	0.5	1.5	1.19	–	–	–	–	8-32x0.44	8-32x0.44	M5	10-32	0.13	M5	10-32 UNF-2A

Stroke [in]	L8		MM ∅	PL1	PL2	T1		W1	W2	WH	ZJ		≈ 1
	[L4]	[L4]				[L4]	[L4]				[L4]	[L4]	
1/16	0.7	–	0.31	0.33	0.31	0.14	–	90°	–	0.13	0.83	–	0.25
1/8	0.83	0.95	0.31	0.33	0.31	0.14	0.14	90°	–	0.13	0.96	1.08	0.25
1/4	0.95	1.23	0.31	0.33	0.31	0.14	0.14	90°	–	0.13	1.08	1.36	0.25
3/8	1.23	1.36	0.31	0.33	0.31	0.14	0.14	90°	–	0.13	1.36	1.49	0.25
1/2	1.36	1.7	0.31	0.33	0.31	0.14	–	90°	–	0.13	1.49	1.83	0.25
5/8	1.7	2.2	0.31	0.33	0.31	–	–	90°	–	0.13	1.83	2.33	0.25
3/4	2.2	–	0.31	0.33	0.31	–	–	90°	–	0.13	2.33	–	0.25
1	2.83	2.83	0.31	0.42	0.31	–	–	90°	–	0.13	2.96	–	0.25
1 1/4	2.83	2.83	0.31	0.42	0.31	–	–	90°	–	0.13	2.96	–	0.25
1 1/2	3.83	3.83	0.31	0.42	0.31	–	–	90°	–	0.13	3.96	–	0.25
2	3.83	3.83	0.31	0.42	0.31	–	–	90°	–	0.13	3.96	–	0.25

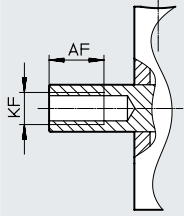
Datasheet

Dimensions – piston diameter 3/4

Download CAD data → www.festo.com

[S] Single-acting, pushing (piston rod retracted by spring force)

[F] Internal thread



Stroke [in]	AF	KF		
		AF [L4]		[N]
1/16	0.25	–	M5	10-32 UNF-2B
1/8	0.25	0.38	M5	10-32 UNF-2B
1/4	0.38	0.38	M5	10-32 UNF-2B
3/8	0.38	0.38	M5	10-32 UNF-2B
1/2	0.38	0.38	M5	10-32 UNF-2B
5/8	0.38	0.38	M5	10-32 UNF-2B
3/4	0.38	–	M5	10-32 UNF-2B
1	0.38	0.38	M5	10-32 UNF-2B
1 1/4	0.38	0.38	M5	10-32 UNF-2B
1 1/2	0.38	0.38	M5	10-32 UNF-2B
2	0.38	0.38	M5	10-32 UNF-2B

Datasheet

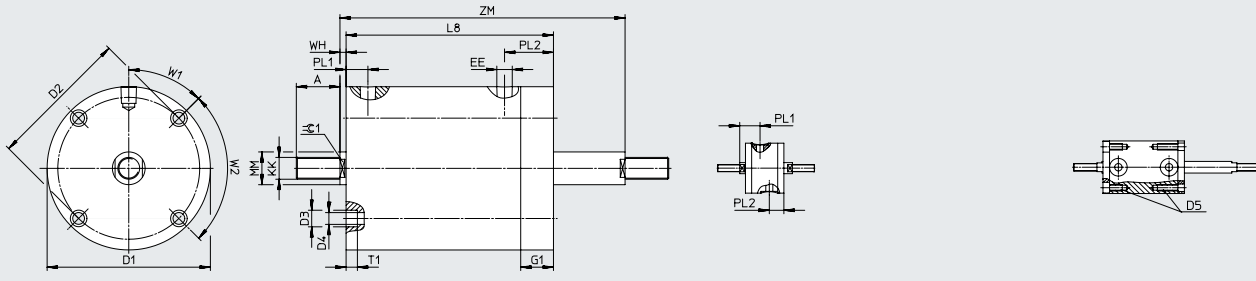
Dimensions – piston diameter 3/4

Download CAD data → www.festo.com

[T] Through piston rod

DPCA-...-1/16" ... 1/4"

DPCA-...-5/8" ... 2"



Stroke [in]	A	D1 ∅	D2 ∅	D3 ∅	D4 ∅	D5	EE		G1	KK	
								[N]			[N]
1/16	0.5	1.5	1.19	0.23	0.14	–	M5	10-32	0.14	M5	10-32 UNF-2A
1/8	0.5	1.5	1.19	0.23	0.14	–	M5	10-32	0.14	M5	10-32 UNF-2A
1/4	0.5	1.5	1.19	0.23	0.14	–	M5	10-32	0.14	M5	10-32 UNF-2A
3/8	0.5	1.5	1.19	0.23	0.14	–	M5	10-32	0.14	M5	10-32 UNF-2A
1/2	0.5	1.5	1.19	0.23	0.14	–	M5	10-32	0.14	M5	10-32 UNF-2A
5/8	0.5	1.5	1.19	–	–	8-32x0.44	M5	10-32	0.14	M5	10-32 UNF-2A
3/4	0.5	1.5	1.19	–	–	8-32x0.44	M5	10-32	0.14	M5	10-32 UNF-2A
1	0.5	1.5	1.19	–	–	8-32x0.44	M5	10-32	0.14	M5	10-32 UNF-2A
1 1/4	0.5	1.5	1.19	–	–	8-32x0.44	M5	10-32	0.14	M5	10-32 UNF-2A
1 1/2	0.5	1.5	1.19	–	–	8-32x0.44	M5	10-32	0.14	M5	10-32 UNF-2A
2	0.5	1.5	1.19	–	–	8-32x0.44	M5	10-32	0.14	M5	10-32 UNF-2A

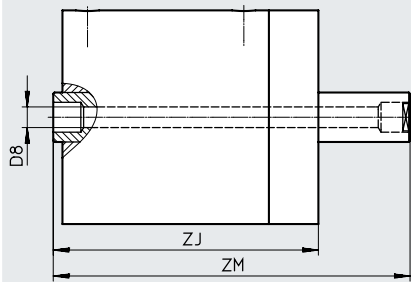
Stroke [in]	L8	MM ∅	PL1	PL2	T1	W1	W2	WH	ZM	≈C 1
1/16	0.87	0.31	0.33	0.33	0.14	90°	–	0.13	1.1925	0.25
1/8	1	0.31	0.33	0.33	0.14	90°	–	0.13	1.385	0.25
1/4	1.12	0.31	0.33	0.33	0.14	90°	–	0.13	1.63	0.25
3/8	1.42	0.31	0.33	0.33	0.14	90°	–	0.13	2.055	0.25
1/2	1.54	0.31	0.33	0.33	0.14	90°	–	0.13	2.3	0.25
5/8	1.75	0.31	0.33	0.33	–	90°	–	0.13	2.635	0.25
3/4	2.25	0.31	0.33	0.33	–	90°	–	0.13	3.26	0.25
1	2.75	0.31	0.33	0.33	–	90°	–	0.13	4.01	0.25
1 1/4	2.75	0.31	0.33	0.33	–	90°	–	0.13	4.26	0.25
1 1/2	3.75	0.31	0.33	0.33	–	90°	–	0.13	5.51	0.25
2	3.75	0.31	0.33	0.33	–	90°	–	0.13	6.01	0.25

Datasheet

Dimensions – piston diameter 3/4

Download CAD data → www.festo.com

[H] Through, hollow piston rod



Stroke [in]	D8 ∅	ZJ	ZM
1/16	1/16	1	1.1925
1/8	1/16	1	1.255
1/4	1/16	1.13	1.51
3/8	1/16	1.25	1.755
1/2	1/16	1.38	2.01
5/8	1/16	1.5	2.255
3/4	1/16	1.63	2.51
1	1/16	1.88	3.01
1 1/4	1/16	2.13	3.51
1 1/2	1/16	2.38	4.01
2	1/16	2.88	5.01

Dimensions – piston diameter 3/4

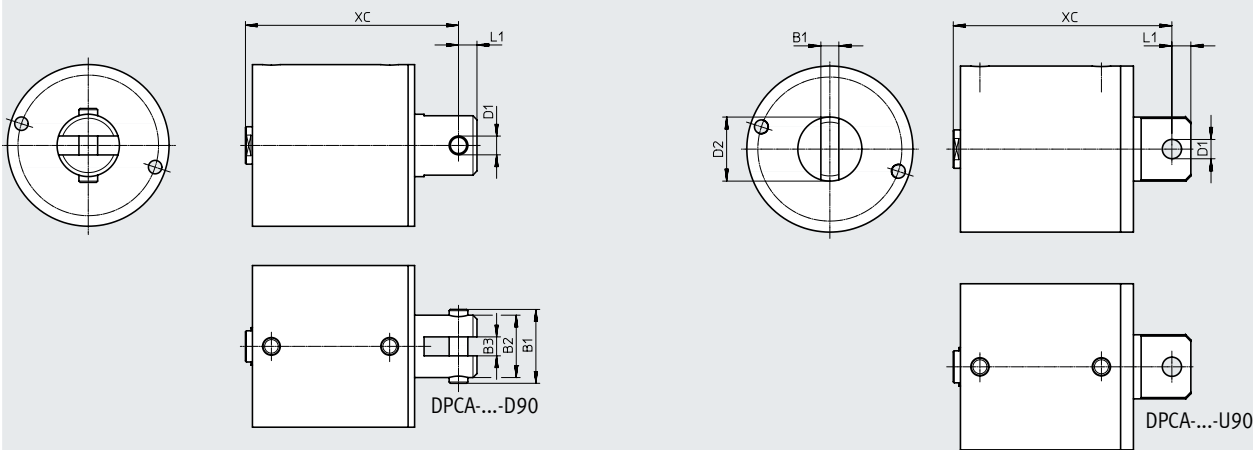
Download CAD data → www.festo.com

[D] With swivel clevis

[U] With swiveling rod eye

[D90] With swivel clevis, rotated 90°

[U90] With swiveling rod eye, rotated 90°



Stroke [in]	B1		B2	B3	D1 ∅		D2 ∅	L1	XC			
	[D/D90]	[U/U90]			[D/D90]	[U/U90]			[S]	[L4-S]	[P]	[L4-P]
1/16	0.83	0.23	0.63	0.25	0.25	0.251	0.63	0.25	1.27	–	1.39	–
1/8	0.83	0.23	0.63	0.25	0.25	0.251	0.63	0.25	1.4	1.52	1.6	1.7
1/4	0.83	0.23	0.63	0.25	0.25	0.251	0.63	0.25	1.52	1.8	1.83	2.11
3/8	0.83	0.23	0.63	0.25	0.25	0.251	0.63	0.25	1.8	1.93	2.24	2.36
1/2	0.83	0.23	0.63	0.25	0.25	0.251	0.63	0.25	1.93	2.27	2.49	–
5/8	0.83	0.23	0.63	0.25	0.25	0.251	0.63	0.25	2.27	2.77	–	–
3/4	0.83	0.23	0.63	0.25	0.25	0.251	0.63	0.25	2.77	–	–	–
1	0.83	0.23	0.63	0.25	0.25	0.251	0.63	0.25	3.4	3.4	–	–
1 1/4	0.83	0.23	0.63	0.25	0.25	0.251	0.63	0.25	3.4	3.4	–	–
1 1/2	0.83	0.23	0.63	0.25	0.25	0.251	0.63	0.25	4.4	4.4	–	–
2	0.83	0.23	0.63	0.25	0.25	0.251	0.63	0.25	4.4	4.4	–	–

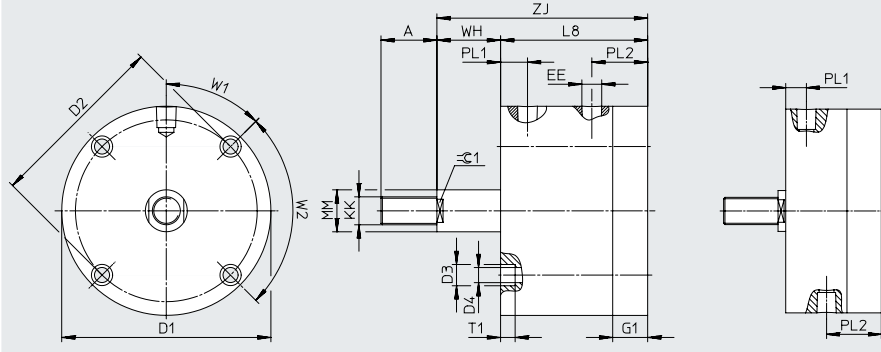
Datasheet

Dimensions – piston diameter 1 1/8

Download CAD data → www.festo.com

[P] Single-acting, pulling (piston rod advanced by spring force)

DPCA-...-1/8"...1/2"
DPCA-...-L4-...-1/16"...3/8"



Stroke [in]	A	D1 ∅	D2 ∅	D3 ∅	D4 ∅	EE		G1	KK	
							[N]			[N]
1/16	0.75	1.99	1.69	0.32	0.2	G1/8	1/8 NPT	0.38	M8	5/16-24 UNF-2A
1/8	0.75	1.99	1.69	0.32	0.2	G1/8	1/8 NPT	0.38	M8	5/16-24 UNF-2A
3/16	0.75	1.99	1.69	0.32	0.2	G1/8	1/8 NPT	0.38	M8	5/16-24 UNF-2A
1/4	0.75	1.99	1.69	0.32	0.2	G1/8	1/8 NPT	0.38	M8	5/16-24 UNF-2A
3/8	0.75	1.99	1.69	0.32	0.2	G1/8	1/8 NPT	0.38	M8	5/16-24 UNF-2A
1/2	0.75	1.99	1.69	0.32	0.2	G1/8	1/8 NPT	0.38	M8	5/16-24 UNF-2A
5/8	0.75	1.99	1.69	0.32	0.2	G1/8	1/8 NPT	0.38	M8	5/16-24 UNF-2A
3/4	0.75	1.99	1.69	0.32	0.2	G1/8	1/8 NPT	0.38	M8	5/16-24 UNF-2A
7/8	0.75	1.99	1.69	0.32	0.2	G1/8	1/8 NPT	0.38	M8	5/16-24 UNF-2A
1	0.75	1.99	1.69	0.32	0.2	G1/8	1/8 NPT	0.38	M8	5/16-24 UNF-2A
1 1/8	0.75	1.99	1.69	0.32	0.2	G1/8	1/8 NPT	0.38	M8	5/16-24 UNF-2A
1 1/4	0.75	1.99	1.69	0.32	0.2	G1/8	1/8 NPT	0.38	M8	5/16-24 UNF-2A
1 3/8	0.75	1.99	1.69	0.32	0.2	G1/8	1/8 NPT	0.38	M8	5/16-24 UNF-2A
1 1/2	0.75	1.99	1.69	0.32	0.2	G1/8	1/8 NPT	0.38	M8	5/16-24 UNF-2A

Stroke [in]	L8	MM ∅	PL1	PL2	T1	W1	W2	WH	ZJ	≈ 1
1/16	1.1275	0.5	0.3075	0.82	0.19	90°	-	0.2025	1.33	0.44
1/8	1.135	0.5	0.315	0.82	0.195	90°	-	0.265	1.4	0.44
3/16	1.1325	0.5	0.3125	0.82	0.1925	90°	-	0.3275	1.46	0.44
1/4	1.13	0.5	0.31	0.82	0.19	90°	-	0.39	1.52	0.44
3/8	1.445	0.5	0.535	0.91	0.195	90°	-	0.515	1.96	0.44
1/2	1.44	0.5	0.53	0.91	0.19	90°	-	0.64	2.08	0.44
5/8	2.135	0.5	0.385	0.75	0.195	90°	-	0.765	2.9	0.44
3/4	2.13	0.5	0.38	0.75	0.19	90°	-	0.89	3.02	0.44
7/8	2.385	0.5	0.385	0.75	0.195	90°	-	1.015	3.4	0.44
1	2.38	0.5	0.38	0.75	0.19	90°	-	1.14	3.52	0.44
1 1/8	3.065	0.5	0.565	0.75	0.195	90°	-	1.265	4.33	0.44
1 1/4	3.06	0.5	0.56	0.75	0.19	90°	-	1.39	4.45	0.44
1 3/8	3.505	0.5	0.755	0.75	0.195	90°	-	1.515	5.02	0.44
1 1/2	3.5	0.5	0.75	0.75	0.19	90°	-	1.64	5.14	0.44

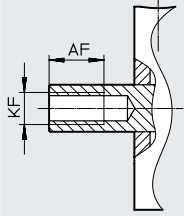
Datasheet

Dimensions – piston diameter 1 1/8

Download CAD data → www.festo.com

[P] Single-acting, pulling (piston rod advanced by spring force)

[F] Internal thread



Stroke [in]	AF	KF		
		AF [L4]		[N]
1/16	–	0.38	M8	5/16-24 UNF-2B
1/8	0.38	0.38	M8	5/16-24 UNF-2B
3/16	0.38	–	M8	5/16-24 UNF-2B
1/4	0.38	–	M8	5/16-24 UNF-2B
3/8	–	0.38	M8	5/16-24 UNF-2B
1/2	0.38	–	M8	5/16-24 UNF-2B
5/8	–	0.63	M8	5/16-24 UNF-2B
3/4	0.63	–	M8	5/16-24 UNF-2B
7/8	–	0.63	M8	5/16-24 UNF-2B
1	0.63	–	M8	5/16-24 UNF-2B
1 1/8	–	0.63	M8	5/16-24 UNF-2B
1 1/4	0.63	–	M8	5/16-24 UNF-2B
1 3/8	–	0.63	M8	5/16-24 UNF-2B
1 1/2	0.63	–	M8	5/16-24 UNF-2B
2	–	–	M8	5/16-24 UNF-2B

Datasheet

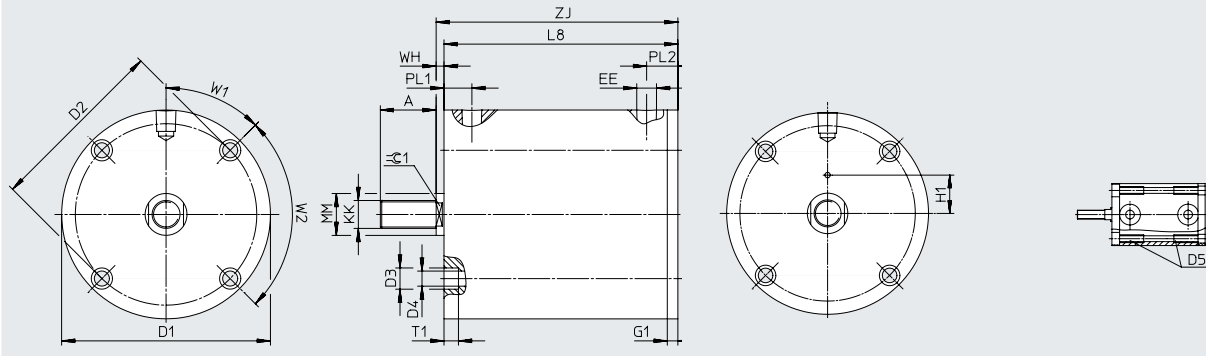
Dimensions – piston diameter 1 1/8

Download CAD data → www.festo.com

[S] Single-acting, pushing (piston rod retracted by spring force)

DPCA-...-1/8" ...1/2"
DPCA-...-L4-...-1/16" ...3/8"

DPCA-...-1 3/4" ...2"
DPCA-...-L4-...-1 5/8" ...1 7/8"



Stroke [in]	A	D1 ø	D2 ø	D3 ø	D4 ø	D5	EE		G1	H1	KK	
								[N]				[N]
1/16	0.75	1.99	1.69	0.32	0.2	-	G1/8	1/8 NPT	0.13	0.4	M8	5/16-24 UNF-2A
1/8	0.75	1.99	1.69	0.32	0.2	-	G1/8	1/8 NPT	0.13	0.4	M8	5/16-24 UNF-2A
3/16	0.75	1.99	1.69	0.32	0.2	-	G1/8	1/8 NPT	0.13	0.4	M8	5/16-24 UNF-2A
1/4	0.75	1.99	1.69	0.32	0.2	-	G1/8	1/8 NPT	0.13	0.4	M8	5/16-24 UNF-2A
3/8	0.75	1.99	1.69	0.32	0.2	-	G1/8	1/8 NPT	0.13	0.4	M8	5/16-24 UNF-2A
1/2	0.75	1.99	1.69	0.32	0.2	-	G1/8	1/8 NPT	0.13	0.4	M8	5/16-24 UNF-2A
5/8	0.75	1.99	1.69	0.32	0.2	-	G1/8	1/8 NPT	0.13	-	M8	5/16-24 UNF-2A
3/4	0.75	1.99	1.69	0.32	0.2	-	G1/8	1/8 NPT	0.13	-	M8	5/16-24 UNF-2A
7/8	0.75	1.99	1.69	0.32	0.2	-	G1/8	1/8 NPT	0.13	-	M8	5/16-24 UNF-2A
1	0.75	1.99	1.69	0.32	0.2	-	G1/8	1/8 NPT	0.13	-	M8	5/16-24 UNF-2A
1 1/8	0.75	1.99	1.69	0.32	0.2	-	G1/8	1/8 NPT	0.13	-	M8	5/16-24 UNF-2A
1 1/4	0.75	1.99	1.69	0.32	0.2	-	G1/8	1/8 NPT	0.13	-	M8	5/16-24 UNF-2A
1 3/8	0.75	1.99	1.69	0.32	0.2	-	G1/8	1/8 NPT	0.13	-	M8	5/16-24 UNF-2A
1 1/2	0.75	1.99	1.69	0.32	0.2	-	G1/8	1/8 NPT	0.13	-	M8	5/16-24 UNF-2A
1 5/8	0.75	1.99	1.69	-	-	10-32x0.5	G1/8	1/8 NPT	0.13	-	M8	5/16-24 UNF-2A
1 3/4	0.75	1.99	1.69	-	-	10-32x0.5	G1/8	1/8 NPT	0.13	-	M8	5/16-24 UNF-2A
1 7/8	0.75	1.99	1.69	-	-	10-32x0.5	G1/8	1/8 NPT	0.13	-	M8	5/16-24 UNF-2A
2	0.75	1.99	1.69	-	-	10-32x0.5	G1/8	1/8 NPT	0.13	-	M8	5/16-24 UNF-2A

Stroke [in]	L8	MM ø	PL1	PL2	T1	W1	W2	WH	ZJ	$\approx \text{C} 1$
1/16	0.88	0.5	-	0.57	0.19	90°	-	0.14	1.02	0.44
1/8	0.88	0.5	-	0.57	0.19	90°	-	0.14	1.02	0.44
3/16	0.88	0.5	-	0.57	0.19	90°	-	0.14	1.02	0.44
1/4	0.88	0.5	-	0.57	0.19	90°	-	0.14	1.02	0.44
3/8	1.19	0.5	-	0.66	0.19	90°	-	0.14	1.33	0.44
1/2	1.19	0.5	-	0.66	0.19	90°	-	0.14	1.33	0.44
5/8	1.88	0.5	0.38	0.5	0.19	90°	-	0.14	2.02	0.44
3/4	1.88	0.5	0.38	0.5	0.19	90°	-	0.14	2.02	0.44
7/8	2.13	0.5	0.38	0.5	0.19	90°	-	0.14	2.27	0.44
1	2.13	0.5	0.38	0.5	0.19	90°	-	0.14	2.27	0.44
1 1/8	2.81	0.5	0.56	0.5	0.19	90°	-	0.14	2.95	0.44
1 1/4	2.81	0.5	0.56	0.5	0.19	90°	-	0.14	2.95	0.44
1 3/8	3.25	0.5	0.75	0.5	0.19	90°	-	0.14	3.39	0.44
1 1/2	3.25	0.5	0.75	0.5	0.19	90°	-	0.14	3.39	0.44
1 5/8	3.85	0.5	0.38	0.5	-	90°	-	0.14	3.99	0.44
1 3/4	3.85	0.5	0.38	0.5	-	90°	-	0.14	3.99	0.44
1 7/8	4.85	0.5	0.38	0.5	-	90°	-	0.14	3.99	0.44
2	4.85	0.5	0.38	0.5	-	90°	-	0.14	3.99	0.44

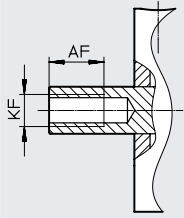
Datasheet

Dimensions – piston diameter 1 1/8

Download CAD data → www.festo.com

[S] Single-acting, pushing (piston rod retracted by spring force)

[F] Internal thread



Stroke [in]	AF	AF		KF	
		[L4]			[N]
1/16	–	0.38		M8	5/16-24 UNF-2B
1/8	0.38	0.38		M8	5/16-24 UNF-2B
3/16	0.38	–		M8	5/16-24 UNF-2B
1/4	0.38	–		M8	5/16-24 UNF-2B
3/8	–	0.38		M8	5/16-24 UNF-2B
1/2	0.38	–		M8	5/16-24 UNF-2B
5/8	–	0.63		M8	5/16-24 UNF-2B
3/4	0.63	–		M8	5/16-24 UNF-2B
7/8	–	0.63		M8	5/16-24 UNF-2B
1	0.63	–		M8	5/16-24 UNF-2B
1 1/8	–	0.63		M8	5/16-24 UNF-2B
1 1/4	0.63	–		M8	5/16-24 UNF-2B
1 3/8	–	0.63		M8	5/16-24 UNF-2B
1 1/2	0.63	–		M8	5/16-24 UNF-2B
1 5/8	–	0.63		M8	5/16-24 UNF-2B
1 3/4	0.63	–		M8	5/16-24 UNF-2B
1 7/8	–	0.63		M8	5/16-24 UNF-2B
2	0.63	–		M8	5/16-24 UNF-2B

Datasheet

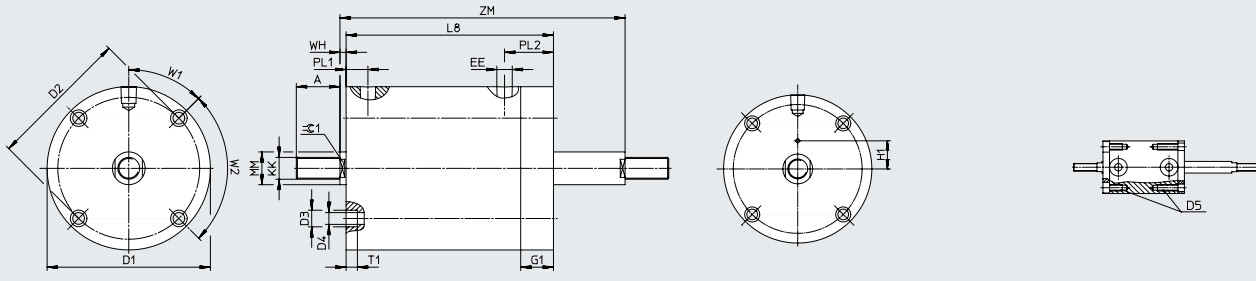
Dimensions – piston diameter 1 1/8

Download CAD data → www.festo.com

[T] Through piston rod

DPCA-...-1/8" ...1/2"

DPCA-...-1 3/4" ...2"



Stroke [in]	A	D1 ø	D2 ø	D3 ø	D4 ø	D5	EE		G1	H1	KK	
								[N]				[N]
1/8	0.75	1.99	1.69	0.32	0.2	–	G1/8	1/8 NPT	0.47	0.4	M8	5/16-24 UNF-2A
3/16	0.75	1.99	1.69	0.32	0.2	–	G1/8	1/8 NPT	0.47	0.4	M8	5/16-24 UNF-2A
1/4	0.75	1.99	1.69	0.32	0.2	–	G1/8	1/8 NPT	0.47	0.4	M8	5/16-24 UNF-2A
1/2	0.75	1.99	1.69	0.32	0.2	–	G1/8	1/8 NPT	0.47	0.4	M8	5/16-24 UNF-2A
3/4	0.75	1.99	1.69	0.32	0.2	–	G1/8	1/8 NPT	0.47	–	M8	5/16-24 UNF-2A
1	0.75	1.99	1.69	0.32	0.2	–	G1/8	1/8 NPT	0.47	–	M8	5/16-24 UNF-2A
1 1/4	0.75	1.99	1.69	0.32	0.2	–	G1/8	1/8 NPT	0.47	–	M8	5/16-24 UNF-2A
1 1/2	0.75	1.99	1.69	0.32	0.2	–	G1/8	1/8 NPT	0.47	–	M8	5/16-24 UNF-2A
1 3/4	0.75	1.99	1.69	–	–	10-32x0.5	G1/8	1/8 NPT	0.47	–	M8	5/16-24 UNF-2A
2	0.75	1.99	1.69	–	–	10-32x0.5	G1/8	1/8 NPT	0.47	–	M8	5/16-24 UNF-2A

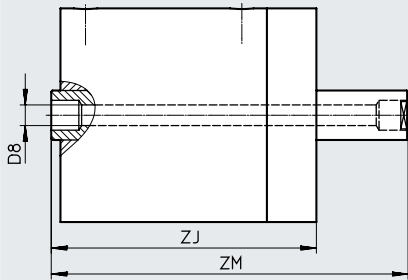
Stroke [in]	L8	MM ø	PL1	PL2	T1	W1	W2	WH	ZM	≈ \ominus 1
1/8	1.22	0.5	–	0.91	0.18	90°	–	0.14	1.625	0.44
3/16	1.22	0.5	–	0.91	0.18	90°	–	0.14	1.6875	0.44
1/4	1.22	0.5	–	0.91	0.18	90°	–	0.14	1.75	0.44
1/2	1.53	0.5	–	1	0.19	90°	–	0.14	2.31	0.44
3/4	2.22	0.5	0.38	0.84	0.19	90°	–	0.14	3.25	0.44
1	2.47	0.5	0.38	0.84	0.19	90°	–	0.14	3.75	0.44
1 1/4	3.16	0.5	0.56	0.85	0.2	90°	–	0.14	4.69	0.44
1 1/2	3.6	0.5	0.75	0.85	0.2	90°	–	0.14	5.38	0.44
1 3/4	4.19	0.5	0.38	0.84	–	90°	–	0.14	6.22	0.44
2	4.19	0.5	0.38	0.84	–	90°	–	0.14	6.47	0.44

Datasheet

Dimensions – piston diameter 1 1/8

Download CAD data → www.festo.com

[H] Through, hollow piston rod

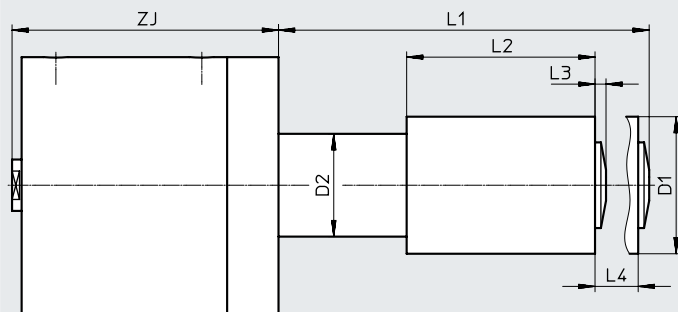


Stroke [in]	D8 ∅	ZJ	ZM
1/8	5/32	1.36	1.625
3/16	5/32	1.36	1.6875
1/4	5/32	1.36	1.75
1/2	5/32	1.67	2.31
3/4	5/32	2.11	3
1	5/32	2.36	3.5
1 1/4	5/32	2.61	4
1 1/2	5/32	2.86	4.5
1 3/4	5/32	3.3	5.19
2	5/32	3.74	5.88

Dimensions – piston diameter 1 1/8

Download CAD data → www.festo.com

[E] Stroke adjustment



Stroke [in]	D1 ∅	D2 ∅	L1	L2	L3	L4	ZJ
1/8	1.5	1.13	1.4	0.63	0.14	0.5	1.36
3/16	1.5	1.13	1.53	0.69	0.15	0.5	1.36
1/4	1.5	1.13	1.66	0.75	0.16	0.5	1.36
1/2	1.5	1.13	2.16	1	0.16	0.5	1.67
3/4	1.5	1.13	2.66	1.25	0.16	0.5	2.36
1	1.5	1.13	3.16	1.5	0.16	0.5	2.61
1 1/4	1.5	1.13	3.66	1.75	0.16	0.5	3.3
1 1/2	1.5	1.13	4.16	2	0.16	0.5	3.74
1 3/4	1.5	1.13	4.66	2.25	0.16	0.5	4.33
2	1.5	1.13	5.16	2.5	0.16	0.5	4.33

Datasheet

Dimensions – piston diameter 1 1/8

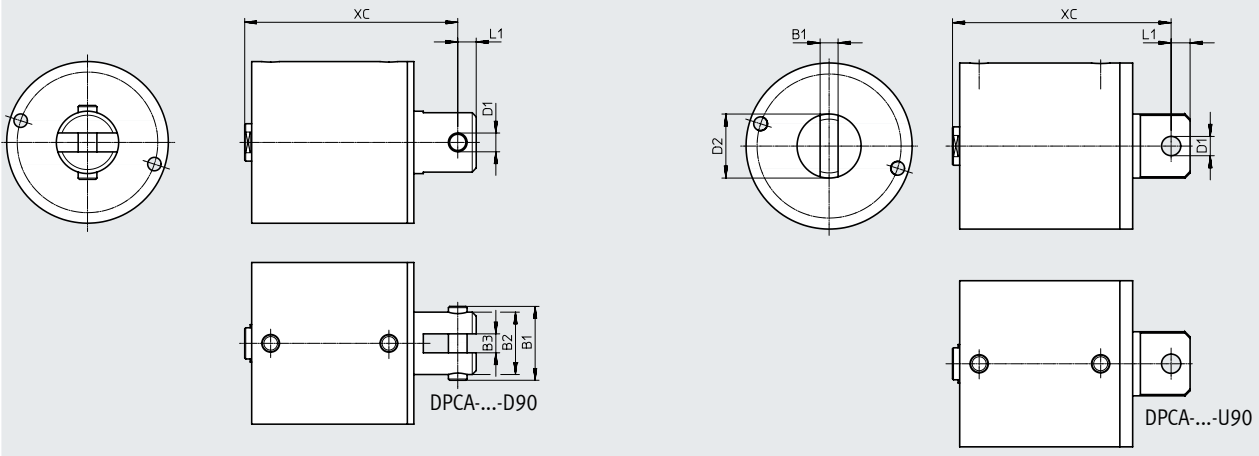
Download CAD data → www.festo.com

[D] With swivel clevis

[U] With swiveling rod eye

[D90] With swivel clevis, rotated 90°

[U90] With swiveling rod eye, rotated 90°



Stroke [in]	B1		B2	B3	D1 ∅		D2 ∅	L1	XC			
	[D/D90]	[U/U90]			[D/D90]	[U/U90]			[S]	[L4-S]	[P]	[L4-P]
1/16	1.21	0.3	1	0.31	0.3125	0.3135	1	0.37	-	1.83	-	2.14
1/8	1.21	0.3	1	0.31	0.3125	0.3135	1	0.37	1.83	1.83	2.21	2.21
3/16	1.21	0.3	1	0.31	0.3125	0.3135	1	0.37	1.83	-	2.27	-
1/4	1.21	0.3	1	0.31	0.3125	0.3135	1	0.37	1.83	-	2.33	-
3/8	1.21	0.3	1	0.31	0.3125	0.3135	1	0.37	-	2.14	-	2.77
1/2	1.21	0.3	1	0.31	0.3125	0.3135	1	0.37	2.14	-	2.89	-
5/8	1.21	0.3	1	0.31	0.3125	0.3135	1	0.37	-	2.83	-	3.71
3/4	1.21	0.3	1	0.31	0.3125	0.3135	1	0.37	2.83	-	3.83	-
7/8	1.21	0.3	1	0.31	0.3125	0.3135	1	0.37	-	3.08	-	4.21
1	1.21	0.3	1	0.31	0.3125	0.3135	1	0.37	3.08	-	4.33	-
1 1/8	1.21	0.3	1	0.31	0.3125	0.3135	1	0.37	-	3.76	-	5.14
1 1/4	1.21	0.3	1	0.31	0.3125	0.3135	1	0.37	3.76	-	5.26	-
1 3/8	1.21	0.3	1	0.31	0.3125	0.3135	1	0.37	-	4.2	-	5.83
1 1/2	1.21	0.3	1	0.31	0.3125	0.3135	1	0.37	4.2	-	5.95	-
1 5/8	1.21	0.3	1	0.31	0.3125	0.3135	1	0.37	-	4.8	-	-
1 3/4	1.21	0.3	1	0.31	0.3125	0.3135	1	0.37	4.8	-	-	-
1 7/8	1.21	0.3	1	0.31	0.3125	0.3135	1	0.37	-	4.8	-	-
2	1.21	0.3	1	0.31	0.3125	0.3135	1	0.37	4.8	-	-	-

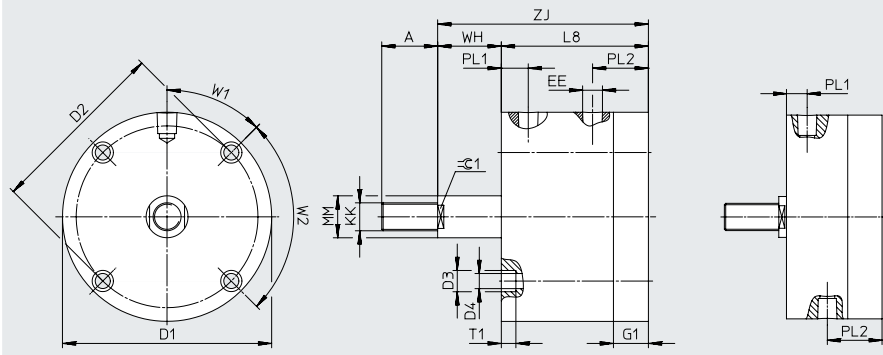
Datasheet

Dimensions – piston diameter 1 5/8

Download CAD data → www.festo.com

[P] Single-acting, pulling (piston rod advanced by spring force)

DPCA-...-1/8" ...1/4"



Stroke [in]	A	D1 ∅	D2 ∅	D3 ∅	D4 ∅	EE		G1		KK	
							[N]		[L4]		[N]
1/8	0.88	2.74	2.38	0.32	0.2	G1/8	1/8 NPT	0.5	–	M10	3/8-24 UNF-2A
1/4	0.88	2.74	2.38	0.32	0.2	G1/8	1/8 NPT	0.5	0.5	M10	3/8-24 UNF-2A
1/2	0.88	2.74	2.38	0.32	0.2	G1/8	1/8 NPT	0.5	0.5	M10	3/8-24 UNF-2A
3/4	0.88	2.74	2.38	0.32	0.2	G1/8	1/8 NPT	0.5	0.63	M10	3/8-24 UNF-2A
1	0.88	2.74	2.38	0.32	0.2	G1/8	1/8 NPT	0.63	–	M10	3/8-24 UNF-2A

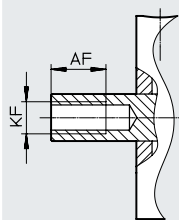
Stroke [in]	L8		MM ∅	PL1		PL2		T1		W1	W2	WH	ZJ		≈G 1
		[L4]			[L4]		[L4]		[L4]					[L4]	
1/8	1.385	–	0.62	0.505	–	0.88	–	0.195	–	90°	–	0.265	1.65	–	0.5
1/4	1.5	2	0.62	0.5	0.38	1	0.87	0.18	0.18	90°	–	0.39	1.89	2.39	0.5
1/2	2	2.25	0.62	0.38	0.38	0.87	0.82	0.18	0.18	90°	–	0.64	2.64	2.89	0.5
3/4	2.25	2.69	0.62	0.38	0.38	0.87	1	0.18	0.19	90°	–	0.89	3.14	3.58	0.5
1	2.69	–	0.62	0.38	–	1	–	0.19	–	90°	–	1.14	3.83	–	0.5

Dimensions – piston diameter 1 5/8

Download CAD data → www.festo.com

[P] Single-acting, pulling (piston rod advanced by spring force)

[F] Internal thread



Stroke [in]	AF	AF [L4]	KF	
				[N]
1/8	0.38	–	M10	3/8-24 UNF-2B
1/4	0.44	0.63	M10	3/8-24 UNF-2B
3/8	–	–	M10	3/8-24 UNF-2B
1/2	0.63	0.63	M10	3/8-24 UNF-2B
3/4	0.63	0.75	M10	3/8-24 UNF-2B
1	0.75	–	M10	3/8-24 UNF-2B

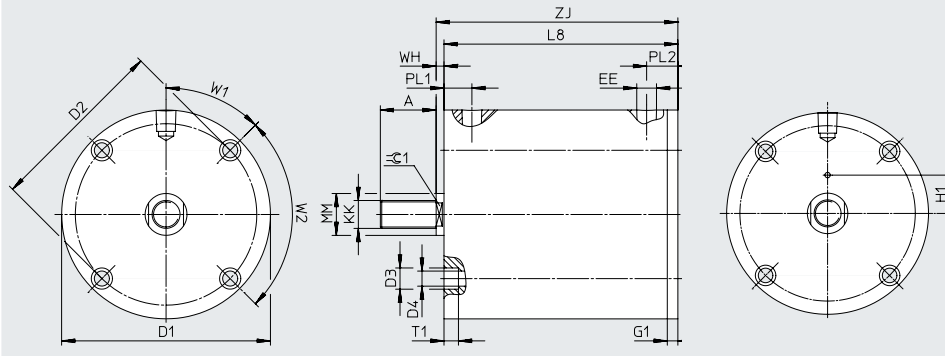
Datasheet

Dimensions – piston diameter 1 5/8

Download CAD data → www.festo.com

[S] Single-acting, pushing (piston rod retracted by spring force)

DPCA-...-1/8" ...1"
DPCA-...-L4-...-1/4" ...3/4"



Stroke [in]	A	D1 ø	D2 ø	D3 ø	D4 ø	EE		G1	H1		KK	
							[N]			[L4]		[N]
1/8	0.88	2.74	2.38	0.32	0.2	G1/8	1/8 NPT	0.13	0.66	–	M10	3/8-24 UNF-2A
1/4	0.88	2.74	2.38	0.32	0.2	G1/8	1/8 NPT	0.13	0.66	0.66	M10	3/8-24 UNF-2A
1/2	0.88	2.74	2.38	0.32	0.2	G1/8	1/8 NPT	0.13	0.66	0.66	M10	3/8-24 UNF-2A
3/4	0.88	2.74	2.38	0.32	0.2	G1/8	1/8 NPT	0.13	0.66	0.66	M10	3/8-24 UNF-2A
1	0.88	2.74	2.38	0.32	0.2	G1/8	1/8 NPT	0.13	0.66	–	M10	3/8-24 UNF-2A
1 1/4	0.88	2.74	2.38	0.32	0.2	G1/8	1/8 NPT	0.13	–	–	M10	3/8-24 UNF-2A
1 1/2	0.88	2.74	2.38	0.32	0.2	G1/8	1/8 NPT	0.13	–	–	M10	3/8-24 UNF-2A

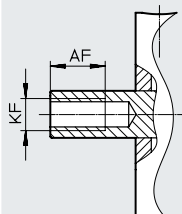
Stroke [in]	L8		MM ø	PL1	PL2	T1	W1	W2	WH	ZJ		≈ 1
		[L4]									[L4]	
1/8	1	–	0.62	–	0.5	0.19	90°	–	0.14	1.14	–	0.5
1/4	1.13	1.63	0.62	–	0.5	0.19	90°	–	0.14	1.27	1.77	0.5
1/2	1.68	1.88	0.62	–	0.5	0.19	90°	–	0.14	1.77	2.02	0.5
3/4	1.88	2.19	0.62	–	0.5	0.19	90°	–	0.14	2.02	2.33	0.5
1	2.19	–	0.62	–	0.5	0.19	90°	–	0.14	2.33	–	0.5
1 1/4	–	4.19	0.62	0.38	0.5	0.19	90°	–	0.14	–	4.33	0.5
1 1/2	4.19	–	0.62	0.38	0.5	0.19	90°	–	0.14	4.33	–	0.5

Dimensions – piston diameter 1 5/8

Download CAD data → www.festo.com

[S] Single-acting, pushing (piston rod retracted by spring force)

[F] Internal thread



Stroke [in]	AF	AF [L4]	KF	
				[N]
1/8	0.38	–	M10	3/8-24 UNF-2B
1/4	0.44	0.63	M10	3/8-24 UNF-2B
1/2	0.63	0.63	M10	3/8-24 UNF-2B
3/4	0.63	0.75	M10	3/8-24 UNF-2B
1	0.75	–	M10	3/8-24 UNF-2B
1 1/4	–	0.75	M10	3/8-24 UNF-2B
1 1/2	0.75	–	M10	3/8-24 UNF-2B

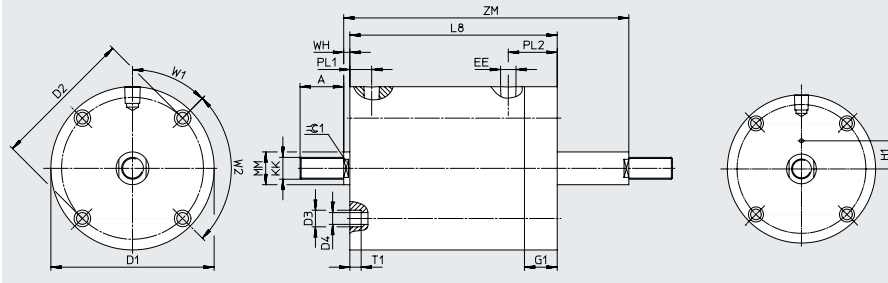
Datasheet

Dimensions – piston diameter 1 5/8

Download CAD data → www.festo.com

[T] Through piston rod

DPCA-...-1/8" ...1"



Stroke [in]	A	D1 ø	D2 ø	D3 ø	D4 ø	EE		G1	H1	KK	
							[N]				[N]
1/8	0.88	2.74	2.38	0.32	0.2	G1/8	1/8 NPT	0.6	0.66	M10	3/8-24 UNF-2A
1/4	0.88	2.74	2.38	0.32	0.2	G1/8	1/8 NPT	0.6	0.66	M10	3/8-24 UNF-2A
1/2	0.88	2.74	2.38	0.32	0.2	G1/8	1/8 NPT	0.6	0.66	M10	3/8-24 UNF-2A
3/4	0.88	2.74	2.38	0.32	0.2	G1/8	1/8 NPT	0.6	0.66	M10	3/8-24 UNF-2A
1	0.88	2.74	2.38	0.32	0.2	G1/8	1/8 NPT	0.6	0.66	M10	3/8-24 UNF-2A
1 1/2	0.88	2.74	2.38	0.32	0.2	G1/8	1/8 NPT	0.6	-	M10	3/8-24 UNF-2A

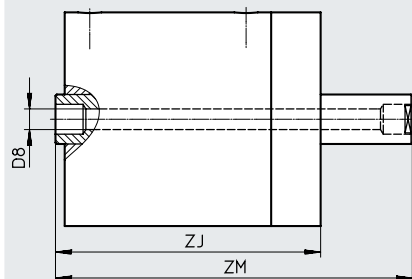
Stroke [in]	L8	MM ø	PL1	PL2	T1	W1	W2	WH	ZM	≈G 1
1/8	1.47	0.62	-	0.97	0.19	90°	-	0.14	1.875	0.5
1/4	1.6	0.62	-	0.97	0.19	90°	-	0.14	2.13	0.5
1/2	2.1	0.62	-	0.97	0.19	90°	-	0.14	2.88	0.5
3/4	2.35	0.62	-	0.97	0.19	90°	-	0.14	3.38	0.5
1	2.66	0.62	-	0.97	0.19	90°	-	0.14	3.94	0.5
1 1/2	4.66	0.62	0.38	0.97	0.19	90°	-	0.14	6.44	0.5

Datasheet

Dimensions – piston diameter 1 5/8

Download CAD data → www.festo.com

[H] Through, hollow piston rod

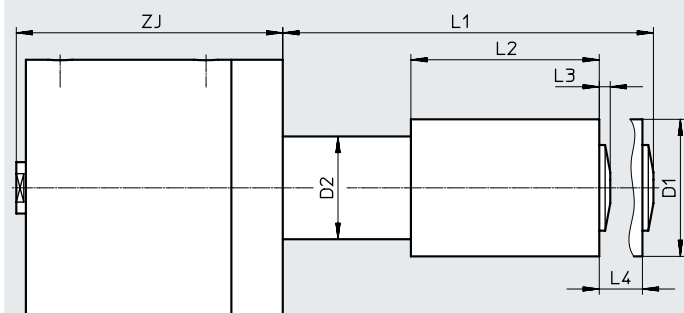


Stroke [in]	D8 ∅	ZJ	ZM
1/8	1/4	1.61	1.875
1/4	1/4	1.74	2.13
1/2	1/4	2.24	2.88
3/4	1/4	2.49	3.38
1	1/4	2.8	3.94
1 1/2	1/4	3.3	4.94

Dimensions – piston diameter 1 5/8

Download CAD data → www.festo.com

[E] Stroke adjustment



Stroke [in]	D1 ∅	D2 ∅	L1	L2	L3	L4	ZJ
1/8	2	1.5	1.4	0.63	0.14	0.5	1.61
1/4	2	1.5	1.66	0.75	0.16	0.5	1.74
1/2	2	1.5	2.16	1	0.16	0.5	2.24
3/4	2	1.5	2.66	1.25	0.16	0.5	2.49
1	2	1.5	3.16	1.5	0.16	0.5	2.8
1 1/2	2	1.5	4.16	2	0.16	0.5	4.8

Datasheet

Dimensions – piston diameter 1 5/8

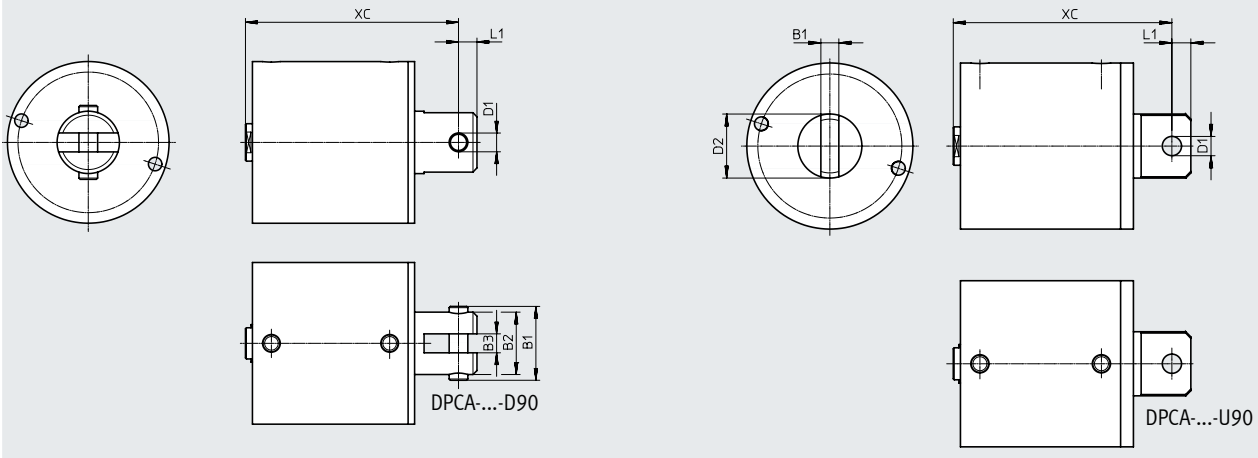
Download CAD data → www.festo.com

[D] With swivel clevis

[D90] With swivel clevis, rotated 90°

[U] With swiveling rod eye

[U90] With swiveling rod eye, rotated 90°



Stroke [in]	B1		B2	B3	D1 ∅		D2 ∅	L1	XC			
	[D/D90]	[U/U90]			[D/D90]	[U/U90]			[S]	[L4-S]	[P]	[L4-P]
1/8	1.48	0.35	1.25	0.38	0.375	0.376	1.25	0.37	2.02	–	2.59	–
1/4	1.48	0.35	1.25	0.38	0.375	0.376	1.25	0.37	2.15	2.65	2.83	3.33
1/2	1.48	0.35	1.25	0.38	0.375	0.376	1.25	0.37	2.65	2.9	3.58	3.83
3/4	1.48	0.35	1.25	0.38	0.375	0.376	1.25	0.37	2.9	3.21	4.08	4.39
1	1.48	0.35	1.25	0.38	0.375	0.376	1.25	0.37	3.21	–	4.64	–
1 1/4	1.48	0.35	1.25	0.38	0.375	0.376	1.25	0.37	–	5.21	–	–
1 1/2	1.48	0.35	1.25	0.38	0.375	0.376	1.25	0.37	5.21	–	–	–

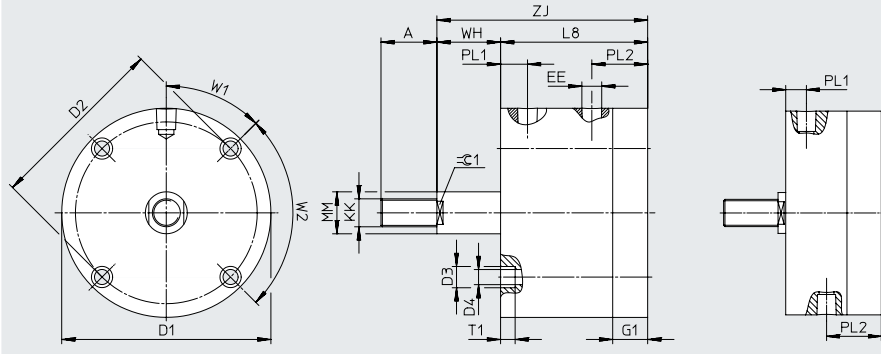
Datasheet

Dimensions – piston diameter 2

Download CAD data → www.festo.com

[P] Single-acting, pulling (piston rod advanced by spring force)

DPCA-...-1/8"...3/8"
DPCA-...-L4-...-1/8"



Stroke [in]	A	D1 ø	D2 ø	D3 ø	D4 ø	EE		G1		KK	
							[N]		[L4]		[N]
1/8	1	3.24	2.81	0.38	0.27	G1/8	1/8 NPT	0.5	0.5	M12	1/2-20 UNF-2A
1/4	1	3.24	2.81	0.38	0.27	G1/8	1/8 NPT	0.5	0.5	M12	1/2-20 UNF-2A
3/8	1	3.24	2.81	0.38	0.27	G1/8	1/8 NPT	0.5	-	M12	1/2-20 UNF-2A
1/2	1	3.24	2.81	0.38	0.27	G1/8	1/8 NPT	0.5	0.5	M12	1/2-20 UNF-2A
3/4	1	3.24	2.81	0.38	0.27	G1/8	1/8 NPT	0.5	0.63	M12	1/2-20 UNF-2A
1	1	3.24	2.81	0.38	0.27	G1/8	1/8 NPT	0.63	-	M12	1/2-20 UNF-2A

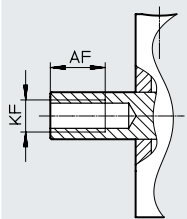
Stroke [in]	L8		MM ø	PL1		PL2		T1		W1	W2	WH	ZJ		⊖ 1
		[L4]			[L4]		[L4]		[L4]					[L4]	
1/8	1.445	1.695	0.75	0.385	0.385	0.88	0.88	0.265	0.265	72°	-	0.265	1.71	1.96	0.63
1/4	1.57	1.88	0.75	0.38	0.38	0.88	0.94	0.27	0.26	72°	-	0.39	1.96	2.27	0.63
3/8	1.695	-	0.75	0.385	-	0.88	-	0.265	-	72°	-	0.515	2.21	-	0.63
1/2	1.88	2.25	0.75	0.38	0.38	0.88	1.25	0.26	0.26	72°	-	0.64	2.52	2.89	0.63
3/4	2.25	2.72	0.75	0.38	0.36	0.87	1.34	0.26	0.23	72°	-	0.89	3.14	3.61	0.63
1	2.75	-	0.75	0.38	-	1	-	0.26	-	72°	-	1.14	3.89	-	0.63

Dimensions – piston diameter 2

Download CAD data → www.festo.com

[P] Single-acting, pulling (piston rod advanced by spring force)

[F] Internal thread



Stroke [in]	AF		KF	
		[L4]		[N]
1/16	-	-	M12	1/2-20 UNF-2B
1/8	0.4	0.63	M12	1/2-20 UNF-2B
1/4	0.5	0.63	M12	1/2-20 UNF-2B
3/8	0.63	-	M12	1/2-20 UNF-2B
1/2	0.63	0.75	M12	1/2-20 UNF-2B
5/8	-	-	M12	1/2-20 UNF-2B
3/4	0.75	0.88	M12	1/2-20 UNF-2B
1	0.88	-	M12	1/2-20 UNF-2B

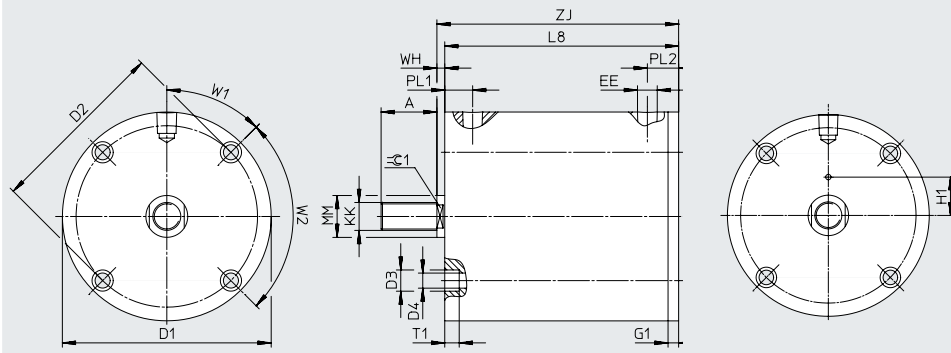
Datasheet

Dimensions – piston diameter 2

Download CAD data → www.festo.com

[S] Single-acting, pushing (piston rod retracted by spring force)

DPCA-...-1/8" ...1"
DPCA-...-L4-...-1/8" ...3/4"



Stroke [in]	A	D1 ø	D2 ø	D3 ø	D4 ø	EE		G1	H1		KK	
							[N]			[L4]		[N]
1/8 ... 1/4	1	3.24	2.81	0.38	0.27	G1/8	1/8 NPT	0.13	0.71	0.71	M12	1/2-20 UNF-2A
3/8	1	3.24	2.81	0.38	0.27	G1/8	1/8 NPT	0.13	0.71	-	M12	1/2-20 UNF-2A
1/2 ... 3/4	1	3.24	2.81	0.38	0.27	G1/8	1/8 NPT	0.13	0.71	0.71	M12	1/2-20 UNF-2A
1	1	3.24	2.81	0.38	0.27	G1/8	1/8 NPT	0.13	0.71	-	M12	1/2-20 UNF-2A
1 1/4 ... 1 1/2	1	3.24	2.81	0.38	0.27	G1/8	1/8 NPT	0.13	-	-	M12	1/2-20 UNF-2A

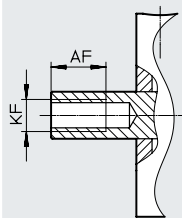
Stroke [in]	L8		MM ø	PL1	PL2	T1	W1	W2	WH	ZJ		≈ 1
		[L4]									[L4]	
1/8	1.06	1.31	0.75	-	0.5	0.26	72°	-	0.14	1.2	1.45	0.63
1/4	1.19	1.5	0.75	-	0.5	0.26	72°	-	0.14	1.33	1.64	0.63
3/8	1.31	-	0.75	-	0.5	0.26	72°	-	0.14	1.45	-	0.63
1/2	1.5	1.88	0.75	-	0.5	0.26	72°	-	0.14	1.64	2.02	0.63
3/4	1.88	2.25	0.75	-	0.5	0.26	72°	-	0.14	2.02	2.39	0.63
1	2.25	-	0.75	-	0.5	0.26	72°	-	0.14	2.39	-	0.63
1 1/4	-	4.25	0.75	0.38	0.5	0.26	72°	-	0.14	-	4.39	0.63
1 1/2	4.25	-	0.75	0.38	0.5	0.26	72°	-	0.14	4.39	-	0.63

Dimensions – piston diameter 2

Download CAD data → www.festo.com

[S] Single-acting, pushing (piston rod retracted by spring force)

[F] Internal thread



Stroke [in]	AF		KF	
		[L4]		[N]
1/8	0.4	0.63	M12	1/2-20 UNF-2B
1/4	0.5	0.63	M12	1/2-20 UNF-2B
3/8	0.63	-	M12	1/2-20 UNF-2B
1/2	0.63	0.75	M12	1/2-20 UNF-2B
3/4	0.75	0.88	M12	1/2-20 UNF-2B
1	0.88	-	M12	1/2-20 UNF-2B
1 1/4	-	0.88	M12	1/2-20 UNF-2B
1 1/2	0.88	-	M12	1/2-20 UNF-2B

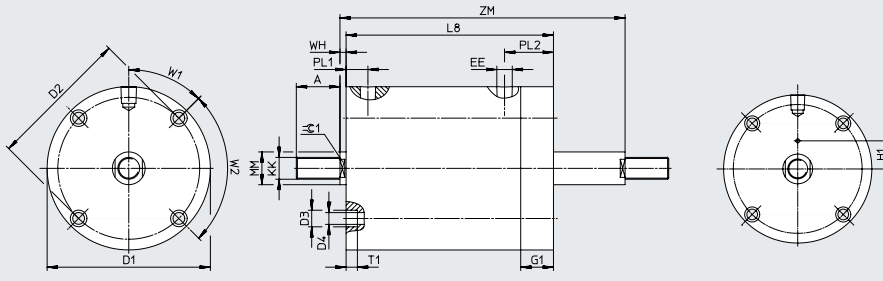
Datasheet

Dimensions – piston diameter 2

Download CAD data → www.festo.com

[T] Through piston rod

DPCA-...-1/8" ...1"



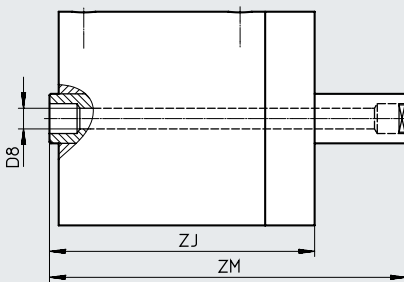
Stroke [in]	A	D1 ∅	D2 ∅	D3 ∅	D4 ∅	EE		G1	H1	KK	
							[N]				[N]
1/8	1	3.24	2.81	0.38	0.27	G1/8	1/8 NPT	0.75	0.71	M12	1/2-20 UNF-2A
1/4	1	3.24	2.81	0.38	0.27	G1/8	1/8 NPT	0.75	0.71	M12	1/2-20 UNF-2A
3/8	1	3.24	2.81	0.38	0.27	G1/8	1/8 NPT	0.75	0.71	M12	1/2-20 UNF-2A
1/2	1	3.24	2.81	0.38	0.27	G1/8	1/8 NPT	0.75	0.71	M12	1/2-20 UNF-2A
3/4	1	3.24	2.81	0.38	0.27	G1/8	1/8 NPT	0.75	0.71	M12	1/2-20 UNF-2A
1	1	3.24	2.81	0.38	0.27	G1/8	1/8 NPT	0.75	0.71	M12	1/2-20 UNF-2A
1 1/2	1	3.24	2.81	0.38	0.27	G1/8	1/8 NPT	0.75	-	M12	1/2-20 UNF-2A

Stroke [in]	L8	MM ∅	PL1	PL2	T1	W1	W2	WH	ZM	≈C 1
1/8	1.69	0.75	-	1.13	0.25	72°	-	0.14	2.095	0.63
1/4	1.81	0.75	-	1.12	0.25	72°	-	0.14	2.34	0.63
3/8	1.94	0.75	-	1.13	0.25	72°	-	0.14	2.595	0.63
1/2	2.13	0.75	-	1.13	0.24	72°	-	0.14	2.91	0.63
3/4	2.5	0.75	-	1.12	0.25	72°	-	0.14	3.53	0.63
1	2.88	0.75	-	1.13	0.25	72°	-	0.14	4.16	0.63
1 1/2	4.88	0.75	0.38	1.13	0.25	72°	-	0.14	6.66	0.63

Dimensions – piston diameter 2

Download CAD data → www.festo.com

[H] Through, hollow piston rod



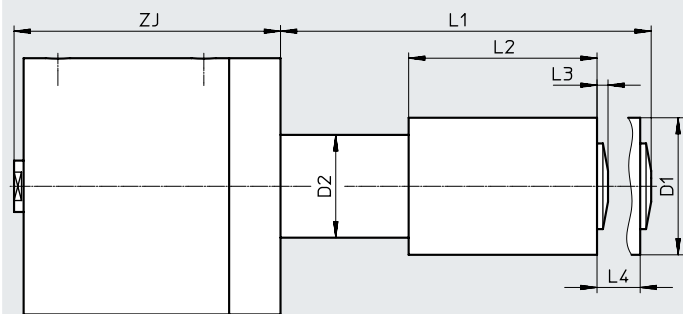
Stroke [in]	D8 ∅	ZJ	ZM
1/8	5/16	1.83	1.345
1/4	5/16	1.95	1.59
3/8	5/16	2.08	1.845
1/2	5/16	2.27	2.16
3/4	5/16	2.64	2.78
1	5/16	3.02	3.41
1 1/2	5/16	3.52	4.41

Datasheet

Dimensions – piston diameter 2

Download CAD data → www.festo.com

[E] Stroke adjustment



Stroke [in]	D1 ø	D2 ø	L1	L2	L3	L4	ZJ
1/8	2	1.5	1.67	0.88	0.16	0.63	1.83
1/4	2	1.5	1.91	1	0.16	0.63	1.95
3/8	2	1.5	2.17	1.13	0.16	0.63	2.08
1/2	2	1.5	2.41	1.25	0.16	0.63	2.27
3/4	2	1.5	2.91	1.5	0.16	0.63	2.64
1	2	1.5	3.41	1.75	0.16	0.63	3.02
1 1/2	2	1.5	4.41	2.25	0.16	0.63	5.02

Dimensions – piston diameter 2

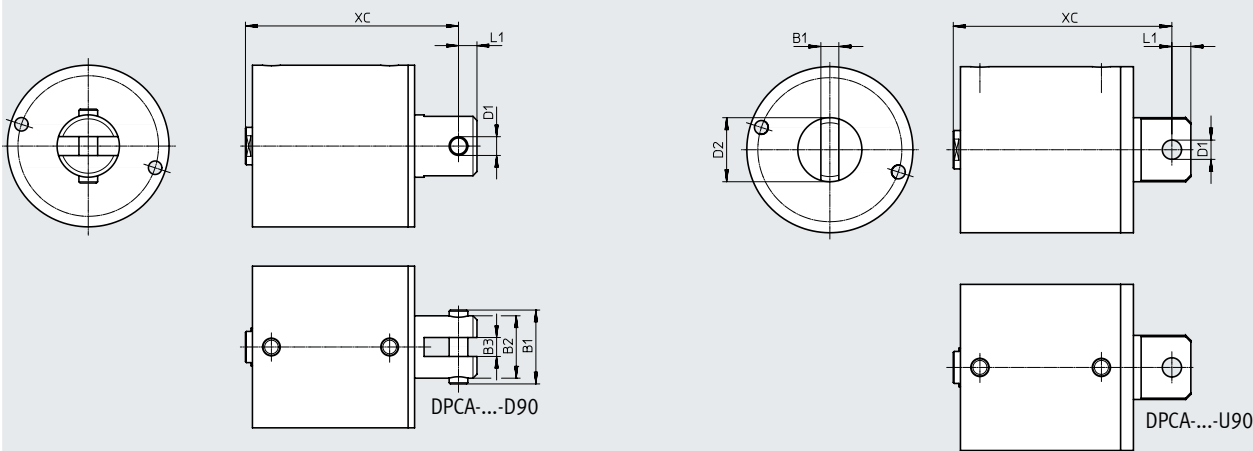
Download CAD data → www.festo.com

[D] With swivel clevis

[D90] With swivel clevis, rotated 90°

[U] With swiveling rod eye

[U90] With swiveling rod eye, rotated 90°



Stroke [in]	B1		B2	B3	D1 ø		D2 ø	L1	XC			
	[D/D90]	[U/U90]			[D/D90]	[U/U90]			[S]	[L4-S]	[P]	[L4-P]
1/8	1.48	0.35	1.25	0.38	0.375	0.376	1.25	0.37	2.08	2.33	2.65	2.9
1/4	1.48	0.35	1.25	0.38	0.375	0.376	1.25	0.37	2.21	2.52	2.9	3.21
3/8	1.48	0.35	1.25	0.38	0.375	0.376	1.25	0.37	2.33	–	3.15	–
1/2	1.48	0.35	1.25	0.38	0.375	0.376	1.25	0.37	2.52	2.9	3.46	3.83
3/4	1.48	0.35	1.25	0.38	0.375	0.376	1.25	0.37	2.9	3.27	4.08	4.42
1	1.48	0.35	1.25	0.38	0.375	0.376	1.25	0.37	3.27	–	4.7	–
1 1/4	1.48	0.35	1.25	0.38	0.375	0.376	1.25	0.37	–	5.27	–	–
1 1/2	1.48	0.35	1.25	0.38	0.375	0.376	1.25	0.37	5.27	–	–	–

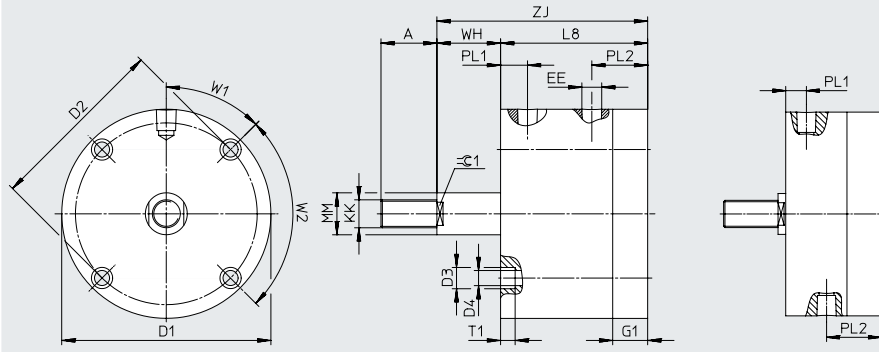
Datasheet

Dimensions – piston diameter 2 1/2

Download CAD data → www.festo.com

[P] Single-acting, pulling (piston rod advanced by spring force)

DPCA-...-1/8"...1/4"



Stroke [in]	A	D1 ∅	D2 ∅	D3 ∅	D4 ∅	EE		G1	KK	
							[N]			[N]
1/8	1	3.74	3.25	0.38	0.27	G1/8	1/8 NPT	0.63	M12	1/2-20 UNF-2A
1/4	1	3.74	3.25	0.38	0.27	G1/8	1/8 NPT	0.63	M12	1/2-20 UNF-2A
1/2	1	3.74	3.25	0.38	0.27	G1/8	1/8 NPT	0.63	M12	1/2-20 UNF-2A
3/4	1	3.74	3.25	0.38	0.27	G1/8	1/8 NPT	0.63	M12	1/2-20 UNF-2A
1	1	3.74	3.25	0.38	0.27	G1/8	1/8 NPT	0.63	M12	1/2-20 UNF-2A

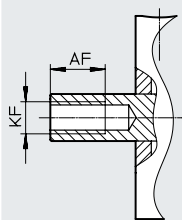
Stroke	L8		MM ∅	PL1		PL2		T1		W1	W2	WH	ZJ		⊖ 1
		[L4]			[L4]		[L4]		[L4]					[L4]	
1/8	1.755	-	0.75	0.385	-	1	-	0.265	-	45°	90°	0.265	2.02	-	0.63
1/4	1.88	2.19	0.75	0.38	0.38	1	1.06	0.26	0.32	45°	90°	0.39	2.27	2.58	0.63
1/2	2.13	2.5	0.75	0.38	0.5	1	1	0.26	0.26	45°	90°	0.64	2.77	3.14	0.63
3/4	2.5	2.63	0.75	0.51	0.5	1	1	0.26	0.26	45°	90°	0.89	3.39	3.52	0.63
1	2.63	-	0.75	0.5	-	1	-	0.26	-	45°	90°	1.14	3.77	-	0.63

Dimensions – piston diameter 2 1/2

Download CAD data → www.festo.com

[P] Single-acting, pulling (piston rod advanced by spring force)

[F] Internal thread



Stroke [in]	AF	AF [L4]	KF	
				[N]
1/8	0.56	-	M12	1/2-20 UNF-2B
1/4	0.63	0.63	M12	1/2-20 UNF-2B
1/2	0.63	0.88	M12	1/2-20 UNF-2B
3/4	0.88	0.88	M12	1/2-20 UNF-2B
1	0.88	-	M12	1/2-20 UNF-2B

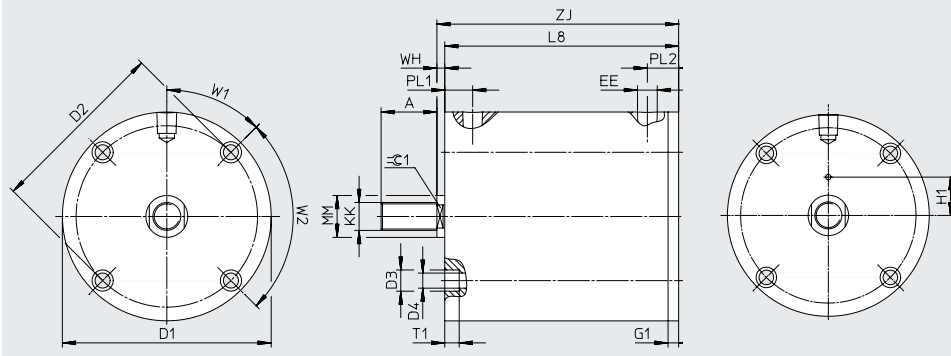
Datasheet

Dimensions – piston diameter 2 1/2

Download CAD data → www.festo.com

[S] Single-acting, pushing (piston rod retracted by spring force)

DPCA-...-1/8" ...1"
DPCA-...-L4-...-1/4" ...3/4"



Stroke [in]	A	D1 ø	D2 ø	D3 ø	D4 ø	EE		G1	H1		KK	
							[N]			[L4]		[N]
1/8	1	3.74	3.25	0.38	0.27	G1/8	1/8 NPT	0.19	0.71	–	M12	1/2-20 UNF-2A
1/4	1	3.74	3.25	0.38	0.27	G1/8	1/8 NPT	0.19	0.71	0.71	M12	1/2-20 UNF-2A
1/2	1	3.74	3.25	0.38	0.27	G1/8	1/8 NPT	0.19	0.71	0.71	M12	1/2-20 UNF-2A
3/4	1	3.74	3.25	0.38	0.27	G1/8	1/8 NPT	0.19	0.71	0.71	M12	1/2-20 UNF-2A
1	1	3.74	3.25	0.38	0.27	G1/8	1/8 NPT	0.19	0.71	–	M12	1/2-20 UNF-2A
1 1/4	1	3.74	3.25	0.38	0.27	G1/8	1/8 NPT	0.19	–	–	M12	1/2-20 UNF-2A
1 1/2	1	3.74	3.25	0.38	0.27	G1/8	1/8 NPT	0.19	–	–	M12	1/2-20 UNF-2A

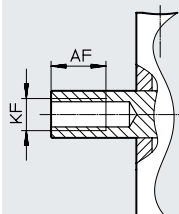
Stroke [in]	L8		MM ø	PL1	PL2	T1		W1	W2	WH	ZJ		≈ 1
		[L4]					[L4]					[L4]	
1/8	1.31	–	0.75	–	0.56	0.26	–	45°	90°	0.14	1.45	–	0.63
1/4	1.44	1.69	0.75	–	0.56	0.25	0.26	45°	90°	0.14	1.58	1.83	0.63
1/2	1.69	2.06	0.75	–	0.56	0.26	0.26	45°	90°	0.14	1.83	2.2	0.63
3/4	2.06	2.19	0.75	–	0.56	0.26	0.26	45°	90°	0.14	2.2	2.33	0.63
1	2.19	–	0.75	–	0.56	0.26	–	45°	90°	0.14	2.33	–	0.63
1 1/4	–	4.19	0.75	0.5	0.56	–	0.26	45°	90°	0.14	–	4.33	0.63
1 1/2	4.19	–	0.75	0.5	0.56	0.26	–	45°	90°	0.14	4.33	–	0.63

Dimensions – piston diameter 2 1/2

Download CAD data → www.festo.com

[S] Single-acting, pushing (piston rod retracted by spring force)

[F] Internal thread



Stroke [in]	AF	AF		KF	
			[L4]		[N]
1/8	0.56	–	–	M12	1/2-20 UNF-2B
1/4	0.63	0.63	–	M12	1/2-20 UNF-2B
1/2	0.63	0.88	–	M12	1/2-20 UNF-2B
3/4	0.88	0.88	–	M12	1/2-20 UNF-2B
1	0.88	–	–	M12	1/2-20 UNF-2B
1 1/4	–	0.88	–	M12	1/2-20 UNF-2B
1 1/2	0.88	–	–	M12	1/2-20 UNF-2B

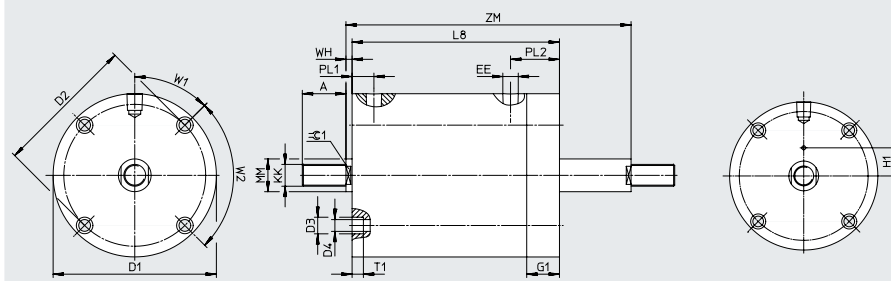
Datasheet

Dimensions – piston diameter 2 1/2

Download CAD data → www.festo.com

[T] Through piston rod

DPCA-...-1/8" ...1"



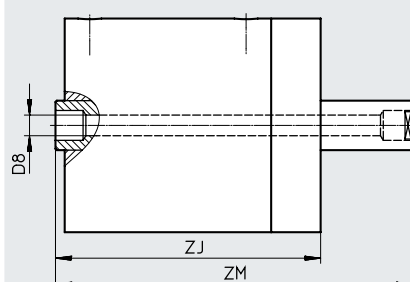
Stroke [in]	A	D1 ø	D2 ø	D3 ø	D4 ø	EE		G1	H1	KK	
							[N]				[N]
1/8	1	3.74	3.25	0.38	0.27	G1/8	1/8 NPT	0.75	0.71	M12	1/2-20 UNF-2A
1/4	1	3.74	3.25	0.38	0.27	G1/8	1/8 NPT	0.75	0.71	M12	1/2-20 UNF-2A
1/2	1	3.74	3.25	0.38	0.27	G1/8	1/8 NPT	0.75	0.71	M12	1/2-20 UNF-2A
3/4	1	3.74	3.25	0.38	0.27	G1/8	1/8 NPT	0.75	0.71	M12	1/2-20 UNF-2A
1	1	3.74	3.25	0.38	0.27	G1/8	1/8 NPT	0.75	0.71	M12	1/2-20 UNF-2A
1 1/2	1	3.74	3.25	0.38	0.27	G1/8	1/8 NPT	0.75	-	M12	1/2-20 UNF-2A

Stroke [in]	L8	MM ø	PL1	PL2	T1	W1	W2	WH	ZM	≈G 1
1/8	1.88	0.75	-	1.13	0.25	45°	90°	0.14	2.285	0.63
1/4	2	0.75	-	1.12	0.25	45°	90°	0.14	2.53	0.63
1/2	2.25	0.75	-	1.12	0.25	45°	90°	0.14	3.03	0.63
3/4	2.63	0.75	-	1.13	0.25	45°	90°	0.14	3.66	0.63
1	2.75	0.75	-	1.12	0.25	45°	90°	0.14	4.03	0.63
1 1/2	4.75	0.75	0.5	1.12	0.25	45°	90°	0.14	6.53	0.63

Dimensions – piston diameter 2 1/2

Download CAD data → www.festo.com

[H] Through, hollow piston rod



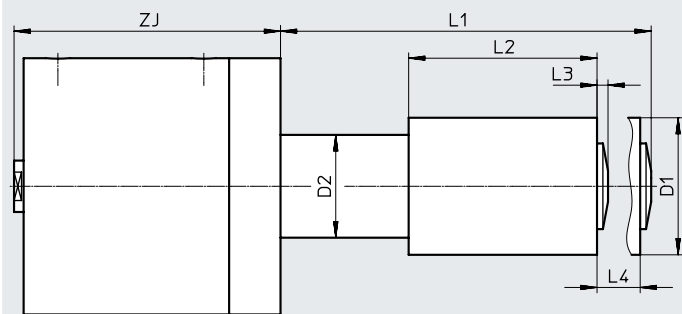
Stroke [in]	D8 ø	ZJ	ZM
1/8	1/4	2.02	2.285
1/4	1/4	2.14	2.53
1/2	1/4	2.39	3.03
3/4	1/4	2.77	3.66
1	1/4	2.89	4.03
1 1/2	1/4	3.39	5.03

Datasheet

Dimensions – piston diameter 2 1/2

Download CAD data → www.festo.com

[E] Stroke adjustment



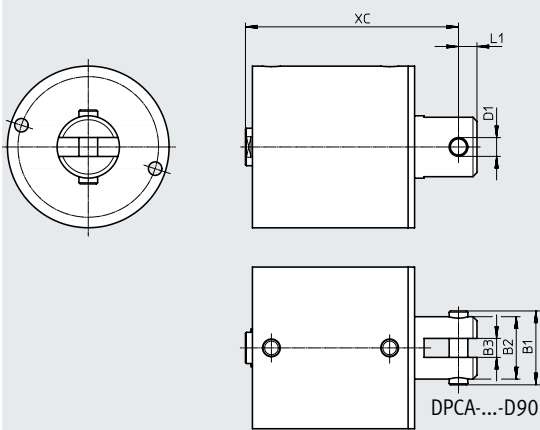
Stroke [in]	D1 ø	D2 ø	L1	L2	L3	L4	ZJ
1/8	2	1.5	1.67	0.88	0.16	0.63	2.02
1/4	2	1.5	1.91	1	0.16	0.63	2.14
1/2	2	1.5	2.41	1.25	0.16	0.63	2.39
3/4	2	1.5	2.91	1.5	0.16	0.63	2.77
1	2	1.5	3.41	1.75	0.16	0.63	2.89
1 1/2	2	1.5	4.41	2.25	0.16	0.63	4.89

Dimensions – piston diameter 2 1/2

Download CAD data → www.festo.com

[D] With swivel clevis

[D90] With swivel clevis, rotated 90°



Stroke [in]	B1	B2	B3	D1 ø	L1	XC			
						[S]	[L4-S]	[P]	[L4-P]
1/8	1.86	1.63	0.5	0.5	0.5	2.64	–	3.21	–
1/4	1.86	1.63	0.5	0.5	0.5	2.77	3.02	3.46	3.77
1/2	1.86	1.63	0.5	0.5	0.5	3.02	3.39	3.96	4.33
3/4	1.86	1.63	0.5	0.5	0.5	3.39	3.52	4.58	4.71
1	1.86	1.63	0.5	0.5	0.5	3.52	–	4.96	–
1 1/4	1.86	1.63	0.5	0.5	0.5	–	5.52	–	–
1 1/2	1.86	1.63	0.5	0.5	0.5	5.52	–	–	–

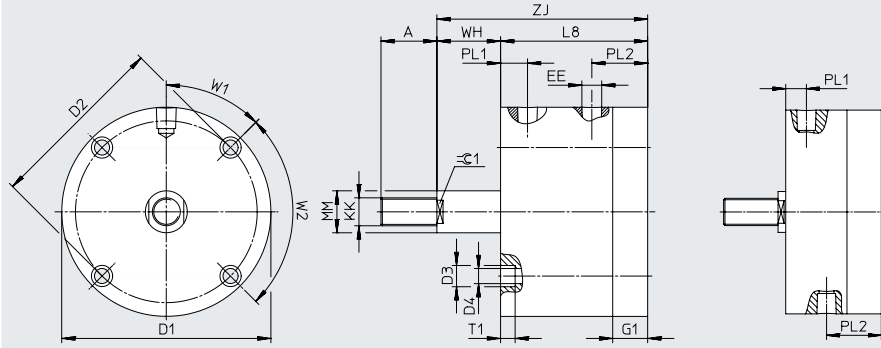
Datasheet

Dimensions – piston diameter 3

Download CAD data → www.festo.com

[P] Single-acting, pulling (piston rod advanced by spring force)

DPCA-...-1/8" ...1/4"



Stroke [in]	A	D1 ∅	D2 ∅	D3 ∅	D4 ∅	EE		G1	KK	
							[N]			[N]
1/8	1	4.24	3.81	0.38	0.27	G1/8	1/8 NPT	0.63	M12	1/2-20 UNF-2A
1/4	1	4.24	3.81	0.38	0.27	G1/8	1/8 NPT	0.63	M12	1/2-20 UNF-2A
1/2	1	4.24	3.81	0.38	0.27	G1/8	1/8 NPT	0.63	M12	1/2-20 UNF-2A
3/4	1	4.24	3.81	0.38	0.27	G1/8	1/8 NPT	0.63	M12	1/2-20 UNF-2A
1	1	4.24	3.81	0.38	0.27	G1/8	1/8 NPT	0.63	M12	1/2-20 UNF-2A

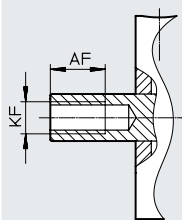
Stroke [in]	L8		MM ∅	PL1		PL2	T1	W1	W2	WH	ZJ		≈ 1
		[L4]			[L4]							[L4]	
1/8	1.815	–	0.75	0.385	–	1	0.265	45°	90°	0.265	2.08	–	0.63
1/4	1.94	2.19	0.75	0.38	0.38	1	0.26	45°	90°	0.39	2.33	2.58	0.63
1/2	2.19	2.44	0.75	0.38	0.5	1	0.26	45°	90°	0.64	2.83	3.08	0.63
3/4	2.44	2.69	0.75	0.5	0.5	1	0.26	45°	90°	0.89	3.33	3.58	0.63
1	2.69	–	0.75	0.5	–	1	0.26	45°	90°	1.14	3.83	–	0.63

Dimensions – piston diameter 3

Download CAD data → www.festo.com

[P] Single-acting, pulling (piston rod advanced by spring force)

[F] Internal thread



Stroke [in]	AF	AF [L4]	KF	
				[N]
1/8	0.63	–	M12	1/2-20 UNF-2B
1/4	0.63	0.63	M12	1/2-20 UNF-2B
1/2	0.63	0.88	M12	1/2-20 UNF-2B
3/4	0.88	0.88	M12	1/2-20 UNF-2B
1	0.88	–	M12	1/2-20 UNF-2B

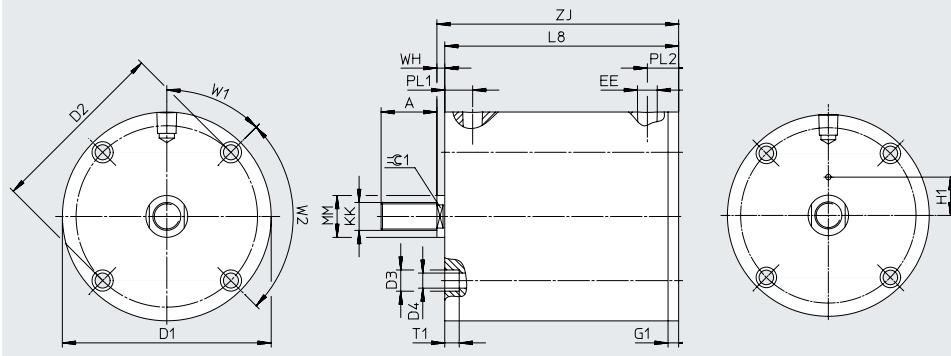
Datasheet

Dimensions – piston diameter 3

Download CAD data → www.festo.com

[S] Single-acting, pushing (piston rod retracted by spring force)

DPCA-...-1/8" ...1"
DPCA-...-L4-...-1/4" ...3/4"



Stroke [in]	A	D1 ø	D2 ø	D3 ø	D4 ø	EE		G1	H1		KK	
							[N]			[L4]		[N]
1/8	1	4.24	3.81	0.38	0.27	G1/8	1/8 NPT	0.19	0.71	–	M12	1/2-20 UNF-2A
1/4	1	4.24	3.81	0.38	0.27	G1/8	1/8 NPT	0.19	0.71	0.71	M12	1/2-20 UNF-2A
1/2	1	4.24	3.81	0.38	0.27	G1/8	1/8 NPT	0.19	0.71	0.71	M12	1/2-20 UNF-2A
3/4	1	4.24	3.81	0.38	0.27	G1/8	1/8 NPT	0.19	0.71	0.71	M12	1/2-20 UNF-2A
1	1	4.24	3.81	0.38	0.27	G1/8	1/8 NPT	0.19	0.71	–	M12	1/2-20 UNF-2A
1 1/4	1	4.24	3.81	0.38	0.27	G1/8	1/8 NPT	0.19	–	–	M12	1/2-20 UNF-2A
1 1/2	1	4.24	3.81	0.38	0.27	G1/8	1/8 NPT	0.19	–	–	M12	1/2-20 UNF-2A

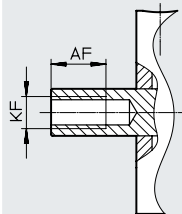
Stroke [in]	L8		MM ø	PL1	PL2	T1	W1	W2	WH	ZJ		≈ 1
		[L4]									[L4]	
1/8	1.38	–	0.75	–	0.57	0.26	45°	90°	0.14	1.52	–	0.63
1/4	1.5	1.75	0.75	–	0.56	0.26	45°	90°	0.14	1.64	1.89	0.63
1/2	1.75	2	0.75	–	0.56	0.26	45°	90°	0.14	1.89	2.14	0.63
3/4	2	2.25	0.75	–	0.56	0.26	45°	90°	0.14	2.14	2.39	0.63
1	2.25	–	0.75	–	0.56	0.26	45°	90°	0.14	2.39	–	0.63
1 1/4	–	4.25	0.75	0.5	0.56	0.26	45°	90°	0.14	–	4.39	0.63
1 1/2	4.25	–	0.75	0.5	0.56	0.26	45°	90°	0.14	4.39	–	0.63

Dimensions – piston diameter 3

Download CAD data → www.festo.com

[S] Single-acting, pushing (piston rod retracted by spring force)

[F] Internal thread



Stroke [in]	AF	KF	
		[L4]	[N]
1/8	0.63	–	M12 1/2-20 UNF-2B
1/4	0.63	0.63	M12 1/2-20 UNF-2B
1/2	0.63	0.88	M12 1/2-20 UNF-2B
3/4	0.88	0.88	M12 1/2-20 UNF-2B
1	0.88	–	M12 1/2-20 UNF-2B
1 1/4	–	0.88	M12 1/2-20 UNF-2B
1 1/2	0.88	–	M12 1/2-20 UNF-2B

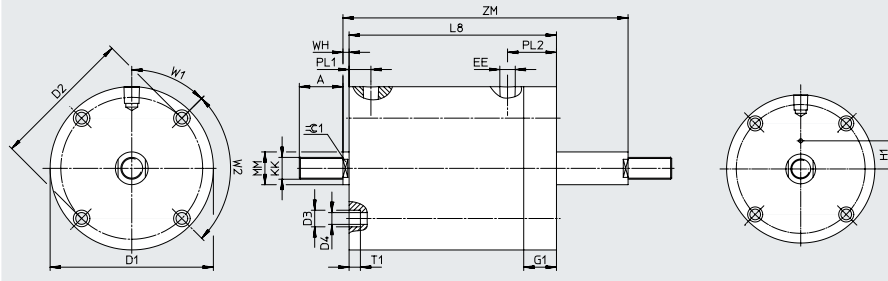
Datasheet

Dimensions – piston diameter 3

Download CAD data → www.festo.com

[T] Through piston rod

DPCA-...-1/8" ...1"



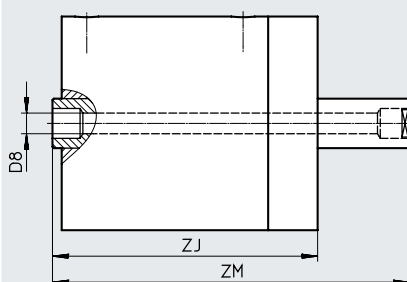
Stroke [in]	A	D1 ø	D2 ø	D3 ø	D4 ø	EE		G1	H1	KK	
							[N]				[N]
1/8	1	4.24	3.81	0.38	0.27	G1/8	1/8 NPT	0.75	0.71	M12	1/2-20 UNF-2A
1/4	1	4.24	3.81	0.38	0.27	G1/8	1/8 NPT	0.75	0.71	M12	1/2-20 UNF-2A
1/2	1	4.24	3.81	0.38	0.27	G1/8	1/8 NPT	0.75	0.71	M12	1/2-20 UNF-2A
3/4	1	4.24	3.81	0.38	0.27	G1/8	1/8 NPT	0.75	0.71	M12	1/2-20 UNF-2A
1	1	4.24	3.81	0.38	0.27	G1/8	1/8 NPT	0.75	0.71	M12	1/2-20 UNF-2A
1 1/2	1	4.24	3.81	0.38	0.27	G1/8	1/8 NPT	0.75	-	M12	1/2-20 UNF-2A

Stroke [in]	L8	MM ø	PL1	PL2	T1	W1	W2	WH	ZM	≈ \ominus 1
1/8	1.94	0.75	-	1.13	0.26	45°	90°	0.14	2.345	0.63
1/4	2.06	0.75	-	1.12	0.26	45°	90°	0.14	2.59	0.63
1/2	2.31	0.75	-	1.12	0.21	45°	90°	0.14	3.09	0.63
3/4	2.56	0.75	-	1.12	0.26	45°	90°	0.14	3.59	0.63
1	2.81	0.75	-	1.12	0.26	45°	90°	0.14	4.09	0.63
1 1/2	4.81	0.75	0.5	1.12	0.26	45°	90°	0.14	6.59	0.63

Dimensions – piston diameter 3

Download CAD data → www.festo.com

[H] Through, hollow piston rod



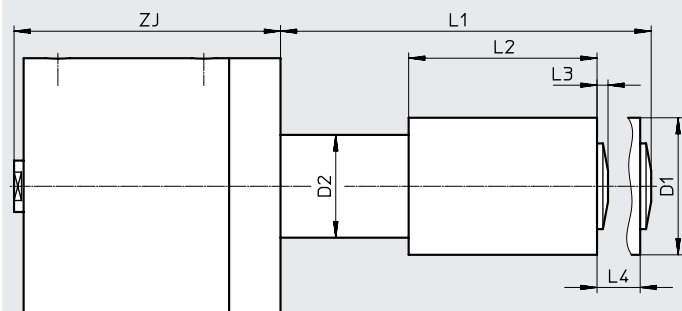
Stroke [in]	D8 ø	ZJ	ZM
1/8	1/4	2.08	2.345
1/4	1/4	2.2	2.59
1/2	1/4	2.45	3.09
3/4	1/4	2.7	3.59
1	1/4	2.95	4.09
1 1/2	1/4	3.45	5.09

Datasheet

Dimensions – piston diameter 3

Download CAD data → www.festo.com

[E] Stroke adjustment



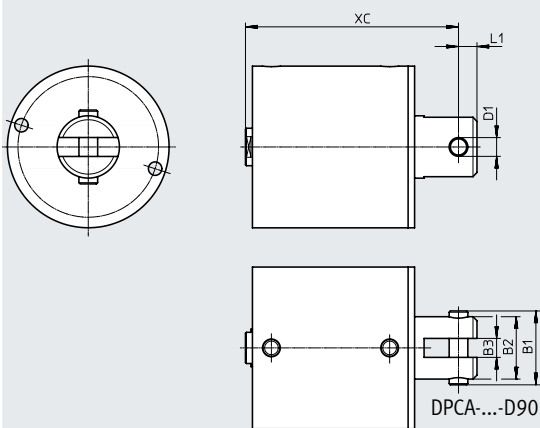
Stroke [in]	D1 ∅	D2 ∅	L1	L2	L3	L4	ZJ
1/8	2	1.5	1.67	0.88	0.16	0.63	2.08
1/4	2	1.5	1.91	1	0.16	0.63	2.2
1/2	2	1.5	2.41	1.25	0.16	0.63	2.45
3/4	2	1.5	2.91	1.5	0.16	0.63	2.7
1	2	1.5	3.41	1.75	0.16	0.63	2.95
1 1/2	2	1.5	4.41	2.25	0.16	0.63	4.95

Dimensions – piston diameter 3

Download CAD data → www.festo.com

[D] With swivel clevis

[D90] With swivel clevis, rotated 90°



Stroke [in]	B1	B2	B3	D1 ∅	L1	XC			
						[S]	[L4-S]	[P]	[L4-P]
1/8	1.86	1.63	0.5	0.5	0.5	2.71	–	3.27	–
1/4	1.86	1.63	0.5	0.5	0.5	2.83	3.08	3.52	3.77
1/2	1.86	1.63	0.5	0.5	0.5	3.08	3.33	4.02	4.27
3/4	1.86	1.63	0.5	0.5	0.5	3.33	3.58	4.52	4.77
1	1.86	1.63	0.5	0.5	0.5	3.58	–	5.02	–
1 1/4	1.86	1.63	0.5	0.5	0.5	–	5.58	–	–
1 1/2	1.86	1.63	0.5	0.5	0.5	5.58	–	–	–

Ordering data – Modular product system

Ordering table										
Piston diameter	1/2	3/4	1 1/8	1 5/8	2	2 1/2	3	Conditions	Code	Enter code
Module no.	8104871	8104872	8104873	8104874	8104875	8104876	8104877			
Function	Compact cylinder, single-acting								DPCA	DPCA
System of units	Metric									
	Inch								-N	
Anti-twist protection	Without									
Running characteristics	Standard									
	Additional PTFE piston guide							[1]	L4	
Piston diameter	1/2"	3/4"	1 1/8"	1 5/8"	2"	2 1/2"	3"		-"	
Stroke										
1/16"	1)	1)	2)	-	-	-	-		-1/16"	
1/8"				1)		1)	1)		-1/8"	
3/16"	-	-	1)	-	-	-	-		-3/16"	
1/4"			1)						-1/4"	
3/8"			2)	-	1)	-	-		-3/8"	
1/2"			1)						-1/2"	
5/8"			2)	-	-	-	-		-5/8"	
3/4"	1)	1)	1)						-3/4"	
7/8"	-	-	2)	-	-	-	-		-7/8"	
1"			1)	1)	1)	1)	1)		-1"	
1 1/8"	-	-	2)	-	-	-	-		-1 1/8"	
1 1/4"			1)	2)	2)	2)	2)		-1 1/4"	
1 3/8"	-	-	2)	-	-	-	-		-1 3/8"	
1 1/2"			1)	1)	1)	1)	1)		-1 1/2"	
1 5/8"	-	-	2)	-	-	-	-		-1 5/8"	
1 3/4"	-	-	1)	-	-	-	-		-1 3/4"	
1 7/8"	-	-	2)	-	-	-	-		-1 7/8"	
2"			1)	-	-	-	-		-2"	
Stroke adjustment	Without									
	-	-	Advancing/front					[2]	E	
Function	Single-acting, pulling (piston rod advanced by spring force)							[3]	-P	
	Single-acting, pushing (piston rod retracted by spring force)							[4]	-S	

[1] L4

Not with stroke adjustment E
Not with piston rod type H, T

[2] E

Not with running characteristic L4
Not with function P
Not with piston rod type H, T
Not with type of mounting D, U, D90, U90

[3] P

Not with stroke adjustment E
Not with stroke 1 5/8, 1 3/4, 1 7/8, 2
Not with stroke 1/2 for piston diameter 1/2, 3/4 and running characteristic L4
Not with stroke 5/8, 3/4 for piston diameter 1/2, 3/4
Not with stroke 1 for piston diameter 1/2, 3/4
Not with stroke 1 1/4, 1 1/2 for piston diameter 1/2, 3/4, 1 5/8, 2, 2 1/2, 3

[4] S

Not with stroke 2 for piston diameter 1 5/8, 2, 2 1/2, 3

1) Only with standard running characteristic

2) Only with running characteristic L4

Ordering data – Modular product system

Ordering table										
Piston diameter	1/2	3/4	1 1/8	1 5/8	2	2 1/2	3	Conditions	Code	Enter code
Piston rod type	At one end									
	Through, hollow piston rod							[5]	H	
	Through piston rod							[5]	T	
Piston rod thread type	External thread							[6]		
	Internal thread								F	
Type of mounting	Standard									
	With swivel clevis							[7]	-D	
	With swiveling rod eye					-	-	[7]	-U	
	With swivel clevis, rotated 90°					-	-	[7]	-D90	
Cushioning	No cushioning								-N	
	Flexible cushioning rings/pads at front							[8]	-P2	
	Flexible cushioning rings/pads at rear							[9]	-P3	
Noise reduction	Without									
	-	-	Both sides				[10]	SL		
	-	-	Front				[11]	SL2		
	-	-	Rear				[12]	SL3		
Scraper variant	None									
	Increased chemical resistance								-A1	

- [5] H, T
 Not with running characteristic L4
 Not with stroke adjustment E
 Not with function P
 Not with type of mounting D, U, D90, U90
- [6] Not with piston rod type H
- [7] D, U, D90, U90
 Not with stroke adjustment E
 Not with piston rod type H, T
- [8] P2
 Not with function S
- [9] P3
 Not with function P
- [10] SL
 Not with function S
 Not with cushioning P2, P3
- [11] SL2
 Not with function S
 Not with cushioning P2
- [12] SL3
 Not with cushioning P3

Accessories

Clevis flange DAMS-C4-...-C

For connecting to compact cylinder
DPCA

Material:

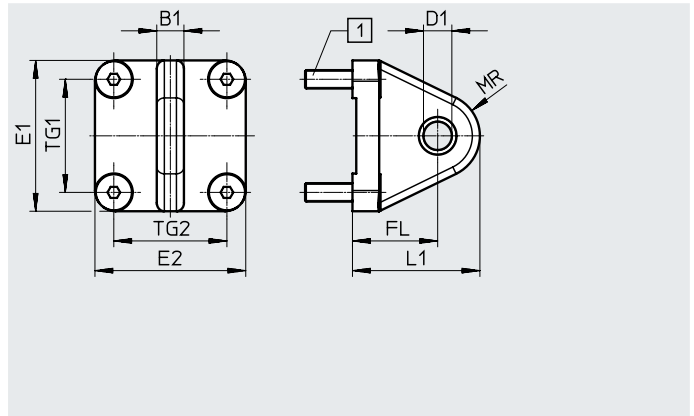
Mounting: die-cast zinc

Bearing: bronze

Bolt, lock, washer, screws: galvanized
steel

RoHS-compliant

Contains paint-wetting impairment
substances



Dimensions and ordering data											
For diameter [in]	B1	D1 ∅	E1	E2	FL	L1	MR	TG1	TG2	Part no.	Type
1/2; 3/4	0.23	0.251	1.25	1.25	0.56	0.87	0.31	0.88	0.88	8106594	DAMS-C4-3/4"-C
1 1/8	0.3	0.3135	1.5	1.5	0.94	1.38	0.44	1.13	1.13	8106595	DAMS-C4-1 1/8"-C
1 5/8; 2	0.36	0.376	2	2	1.13	1.69	0.56	1.5	1.5	8106596	DAMS-C4-2"-C
2 1/2; 3	0.47	0.501	2	2	1.5	2.25	0.75	1.38	1.38	8106597	DAMS-C4-3"-C
4	0.58	0.626	2.5	2.25	1.63	2.63	1	1.75	1.5	8106598	DAMS-C4-4"-C

Clevis flange DAMS-C4-...-C

For connecting to swivel clevis DARC

Material:

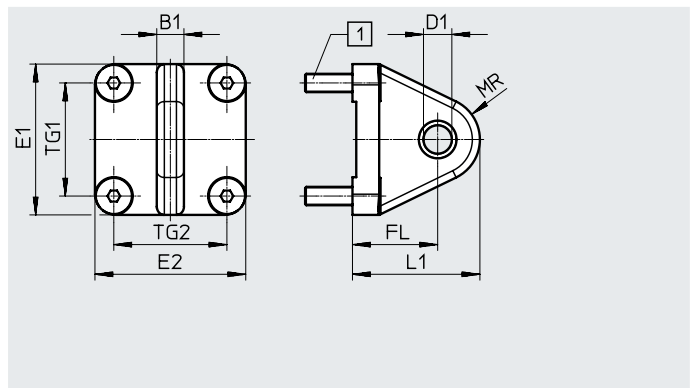
Mounting: die-cast zinc

Bearing: bronze

Bolt, lock, washer, screws: galvanized
steel

RoHS-compliant

Contains paint-wetting impairment
substances



Dimensions and ordering data											
For swivel clevis	B1	D1 ∅	E1	E2	FL	L1	MR	TG1	TG2	Part no.	Type
DARC-U8C/-U10	0.18	0.1885	1.25	1.25	0.56	0.87	0.31	0.88	0.88	8106593	DAMS-C4-1/2"-C
DARC-U516	0.23	0.251	1.25	1.25	0.56	0.87	0.31	0.88	0.88	8106594	DAMS-C4-3/4"-C
DARC-U38/ U12/U12L/ M12/M12L	0.3	0.3135	1.5	1.5	0.94	1.38	0.44	1.13	1.13	8106595	DAMS-C4-1 1/8"-C
DARC-U58	0.47	0.501	2	2	1.5	2.25	0.75	1.38	1.38	8106597	DAMS-C4-3"-C

Accessories

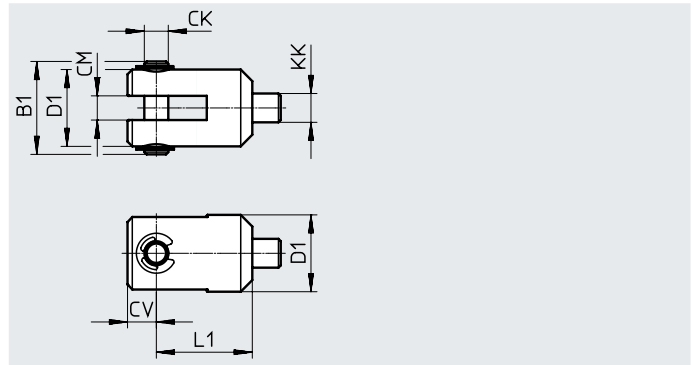
Swivel clevis DARC-C4-...-M

Material:

Rod clevis, bolt, lock: steel

RoHS-compliant

Contains paint-wetting impairment substances



Dimensions and ordering data

For diameter [in]	B1	CM	CK	CV	D1 ø
Inch					
1/2	0.7	0.19	0.1875	0.25	0.5
3/4	0.7	0.19	0.1875	0.25	0.5
1 1/8	0.96	0.25	0.25	0.28	0.75
1 5/8	1.21	0.32	0.3125	0.38	1
2; 2 1/2	1.21	0.32	0.3125	0.38	1
4	1.62	0.5	0.5	0.5	1.38
Metric					
2; 2 1/2; 3	1.21	0.32	0.3125	0.38	1
4	1.62	0.5	0.5	0.5	1.38
Longer thread design					
Inch					
2; 2 1/2; 3	1.21	0.32	0.3125	0.38	1
Metric					
2; 2 1/2	1.21	0.32	0.3125	0.38	1

For diameter [in]	KK	L1	Part no.	Type
Inch				
1/2	8-32x0.25	0.75	8106622	DARC-C4-U8C-M
3/4	10-32x0.25	0.75	8106623	DARC-C4-U10-M
1 1/8	5/16-24	0.88	8106624	DARC-C4-U516-M
1 5/8	3/8-24x0.37	1.25	8106625	DARC-C4-U38-M
2; 2 1/2	1/2-20x0.39	1.31	8106626	DARC-C4-U12-M
4	5/8-18x0.75	1.63	8106630	DARC-C4-U58-M
Metric				
2; 2 1/2; 3	M12x9.9	1.31	8106628	DARC-C4-M12-M
4	M16x19	1.63	8106631	DARC-C4-M16-M
Longer thread design				
Inch				
2; 2 1/2; 3	1/2-20x0.62	1.31	8106627	DARC-C4-U12L-M
Metric				
2; 2 1/2	M12x15.7	1.31	8106629	DARC-C4-M12L-M

Accessories

Clevis flange DAMS-C4-...-D

Material:

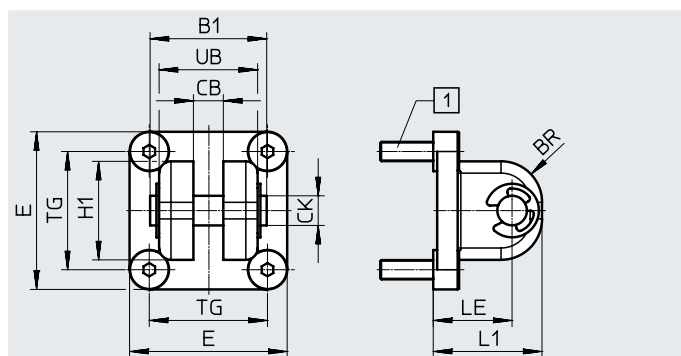
Mounting: die-cast zinc

Bearing: bronze

Screws: galvanized steel

RoHS-compliant

Contains paint-wetting impairment substances

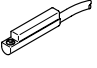
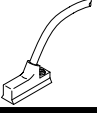







Dimensions and ordering data

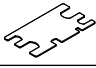

For diameter [in]	B1	BR	CB	CK	E	H1
1/2; 3/4	0.83	0.3	0.25	0.25	1.25	0.63
1 1/8	1.21	0.46	0.31	0.3125	1.5	0.88
1 5/8; 2	1.48	0.52	0.38	0.375	2	1.25

For diameter [in]	L1	LE	TG	UB	Part no.	Type
1/2; 3/4	0.81	0.56	0.88	0.63	8106613	DAMS-C4-1/2"-D
1 1/8	1.32	0.94	1.13	1	8106614	DAMS-C4-1 1/8"-D
1 5/8; 2	1.38	1	1.5	1.25	8106615	DAMS-C4-1 5/8"-D

Accessories

Ordering data – Proximity switch round shape, magneto-resistive							Data sheets → Internet: sdbf
	For diameter [in]	Type of mounting	Switching output	Electrical connection	Part no.	Type	
N/O contact							
	1/2	Can be inserted in slot lengthwise	PNP	Cable, 3-wire	8106571	SDBF-FAS-1L-PU-K-9-N-LE	
				Plug M8x1, 3-pin	8106572	SDBF-FAS-1L-PU-K-0.5-N-M8	
			NPN	Cable, 3-wire	8106573	SDBF-FAS-1L-NU-K-9-N-LE	
				Plug M8x1, 3-pin	8106574	SDBF-FAS-1L-NU-K-0.5-N-M8	
Ordering data – Proximity switch dovetail, magneto-resistive							Data sheets → Internet: sdbf
	For diameter [in]	Type of mounting	Switching output	Electrical connection	Part no.	Type	
N/O contact							
	3/4 ... 4	Can be inserted in slot lengthwise	PNP	Cable, 3-wire	8106575	SDBF-FBS-1L-PU-K-9-N-LE	
				Plug M8x1, 3-pin	8106576	SDBF-FBS-1L-PU-K-0.5-N-M8	
			NPN	Cable, 3-wire	8106577	SDBF-FBS-1L-NU-K-9-N-LE	
				Plug M8x1, 3-pin	8106578	SDBF-FBS-1L-NU-K-0.5-N-M8	
Ordering data – Connecting cables							Data sheets → Internet: nebu
	Electrical connection, left	Electrical connection, right	Cable length [m]	Part no.	Type		
	Straight socket, M8x1, 3-pin	Cable, open end, 3-wire	2.5	541333	NEBU-M8G3-K-2.5-LE3		
			5	541334	NEBU-M8G3-K-5-LE3		
	Angled socket, M8x1, 3-pin	Cable, open end, 3-wire	2.5	541338	NEBU-M8W3-K-2.5-LE3		
			5	541341	NEBU-M8W3-K-5-LE3		
Ordering data							
	For diameter [in]	Description	Part no.	Type			
One-way flow control valve GRLA							Data sheets → Internet: grla
	1/2	for regulating velocity	564839	GRLA-10-32-UNF-QB-1/8-U			
	3/4		564842	GRLA-10-32-UNF-QB-1/4-U			
	1 1/8		534658	GRLA-1/8-QB-1/4-U			
	1 5/8 ... 4		534659	GRLA-1/8-QB-5/16-U			
Push-in fitting, straight							Data sheets → Internet: qb
	1/2	for connecting compressed air tubing with standard O.D.	533266	QBM-10-32-UNF-1/8-U			
	3/4		533269	QB-10-32-UNF-1/4-U			
	1 1/8		533273	QB-1/8-1/4-U			
	1 5/8 ... 4		567773	QB-1/8-3/8-U			
Push-in fitting, angled							Data sheets → Internet: qb
	1/2	for connecting compressed air tubing with standard O.D.	533285	QBML-10-32-UNF-1/8-U			
	3/4		533288	QBL-10-32-UNF-1/4-U			
	1 1/8		533292	QBL-1/8-1/4-U			
	1 5/8 ... 4		567777	QBL-1/8-3/8-U			

Accessories

Ordering data		Description	Part no.	Type
	For diameter [in]			
Assembly tool				
		For fixing the piston rod in place when mounting piston rod attachments	8106809	DADG-WF
Seal set				
	1/2	Spare parts	8106839	DADG-SK-C4-1/2"
	3/4		8106840	DADG-SK-C4-3/4"
			8106841	DADG-SK-C4-3/4"-L4
	1 1/8		8106842	DADG-SK-C4-3/4"-Q
			8141157	DADG-SK-C4-3/4"-QL4
			8106843	DADG-SK-C4-1 1/8"
	1 5/8		8106844	DADG-SK-C4-1 1/8"-L4
			8106845	DADG-SK-C4-1 1/8"-Q
			8141158	DADG-SK-C4-1 1/8"-QL4
			8106846	DADG-SK-C4-1 5/8"
	2		8106847	DADG-SK-C4-1 5/8"-L4
			8106848	DADG-SK-C4-1 5/8"-Q
			8141159	DADG-SK-C4-1 5/8"-QL4
			8106849	DADG-SK-C4-2"
	2 1/2		8106850	DADG-SK-C4-2"-L4
			8106851	DADG-SK-C4-2"-Q
			8141160	DADG-SK-C4-2"-QL4
			8106852	DADG-SK-C4-2 1/2"
	3		8106853	DADG-SK-C4-2 1/2"-L4
8106854		DADG-SK-C4-2 1/2"-Q		
8141161		DADG-SK-C4-2 1/2"-QL4		
8106855		DADG-SK-C4-3"		
4	8106856	DADG-SK-C4-3"-L4		
	8106857	DADG-SK-C4-3"-Q		
	8141162	DADG-SK-C4-3"-QL4		
	8106858	DADG-SK-C4-4"		
	8106859	DADG-SK-C4-4"-L4		
			8106860	DADG-SK-C4-4"-Q
			8141163	DADG-SK-C4-4"-QL4