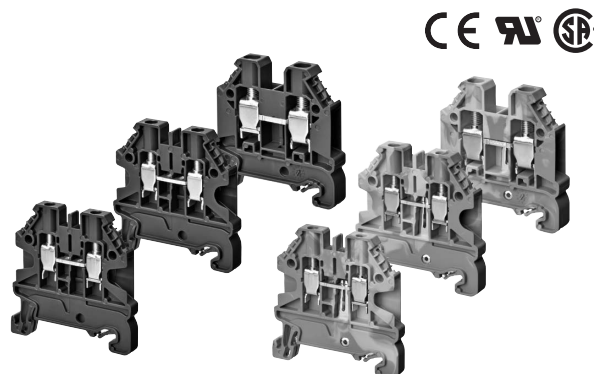


# DIN Track Terminal Blocks with Screw Terminals XW5T

## Global-standard DIN Terminal Blocks for Control Panels

- Wires held with screws.
- Compatible with a wide range of wire sizes with a nominal cross section from 2.5 to 150 mm<sup>2</sup>.
- Terminal Blocks with Fuses and Disconnect Terminal Blocks are available.



Refer to your OMRON website for the most recent information on models that are certified for standards.



Refer to *Safety Precautions* on page 19.

## Model Number Legend




### Feed Through Terminal Blocks

**XW5T - S** □ - □ - □ □  
(1) (2) (3) (4)

#### (1) Nominal Cross Section

2.5: 2.5mm<sup>2</sup>  
4.0: 4.0mm<sup>2</sup>  
6.0: 6.0mm<sup>2</sup>  
10: 10mm<sup>2</sup>  
16: 16mm<sup>2</sup>  
35: 35mm<sup>2</sup>  
70: 70mm<sup>2</sup>  
150: 150mm<sup>2</sup>

#### (2) Wiring

1.1:1:1   
1.2:1:2   
2.2:2:2 

### Grounding Terminal Blocks

**XW5G - S** □ - □ - □  
(1) (2) (3)

#### (3) Number of Tiers

1: 1 tier  
2: 2 tiers

#### (4) Color

Blank: Dark gray  
BL: Blue  
V: Black (Vertical Connection)

## Ordering Information

Classification	Product Type	Nominal Cross Section (mm <sup>2</sup> )	Number of levels	Number of cramp position per level	Color	Insulating material	Flammability Rating according to UL94	Model	Pack (pcs.)	Weight (gram)	
Feed Through Terminal blocks	Standard terminals	2.5	1	2	Dark gray	PA	V0	XW5T-S2.5-1.1-1	100	8	
		2.5	1	2	Blue	PA	V0	XW5T-S2.5-1.1-1BL	100	8	
		4.0	1	2	Dark gray	PA	V0	XW5T-S4.0-1.1-1	100	9	
		4.0	1	2	Blue	PA	V0	XW5T-S4.0-1.1-1BL	100	9	
		6.0	1	2	Dark gray	PA	V0	XW5T-S6.0-1.1-1	100	14	
		6.0	1	2	Blue	PA	V0	XW5T-S6.0-1.1-1BL	100	14	
		10.0	1	2	Dark gray	PA	V0	XW5T-S10-1.1-1	50	17	
		10.0	1	2	Blue	PA	V0	XW5T-S10-1.1-1BL	50	17	
		16.0	1	2	Dark gray	PA	V0	XW5T-S16-1.1-1	50	37	
		16.0	1	2	Blue	PA	V0	XW5T-S16-1.1-1BL	50	37	
		35.0	1	2	Dark gray	PA	V0	XW5T-S35-1.1-1	20	74	
		35.0	1	2	Blue	PA	V0	XW5T-S35-1.1-1BL	20	74	
		70.0	1	2	Dark gray	PA	V0	XW5T-S70-1.1-1	20	177	
		70.0	1	2	Blue	PA	V0	XW5T-S70-1.1-1BL	20	177	
	150.0	1	2	Dark gray	PA	V0	XW5T-S150-1.1-1	10	281		
	150.0	1	2	Blue	PA	V0	XW5T-S150-1.1-1BL	10	282		
	Multi tiers terminal	2.5	2	2	Dark gray	PA	V0	XW5T-S2.5-1.1-2	100	13	
		2.5	2	2	Black	PA	V0	XW5T-S2.5-1.1-2V	100	15	
		4.0	2	2	Dark gray	PA	V0	XW5T-S4.0-1.1-2	100	19	
		4.0	2	2	Black	PA	V0	XW5T-S4.0-1.1-2V	100	20	
	Multi conductor terminals	4.0	1	3	Dark gray	PA	V0	XW5T-S4.0-1.2-1	100	13	
		4.0	1	4		PA	V0	XW5T-S4.0-2.2-1	100	17	
		4.0	1	3	Blue	PA	V0	XW5T-S4.0-1.2-1BL	100	13	
		4.0	1	4		PA	V0	XW5T-S4.0-2.2-1BL	100	17	
	Grounding Terminal blocks	Standard terminals	2.5	1	2	Green/ yellow	PA	V0	XW5G-S2.5-1.1-1	100	10
			4.0	1	2		PA	V0	XW5G-S4.0-1.1-1	100	12
6.0			1	2	PA		V0	XW5G-S6.0-1.1-1	100	20	
10.0			1	2	PA		V0	XW5G-S10-1.1-1	50	23	
16.0			1	2	PA		V0	XW5G-S16-1.1-1	50	47	
35.0			1	2	PA		V0	XW5G-S35-1.1-1	20	123	
70.0			1	2	PA		V0	XW5G-S70-1.1-1	20	240	
Multi tiers terminal		4.0	2	2	PA		V0	XW5G-S4.0-1.1-2	100	23	
Multi conductor terminals		4.0	1	3	PA		V0	XW5G-S4.0-1.2-1	100	16	
		4.0	1	4	PA		V0	XW5G-S4.0-2.2-1	100	20	
Special terminals	Knife edge disconnect block	4.0	1	2	Dark gray	PA	V0	XW5T-S4.0-FU5	50	19	
		4.0	1	2		PA	V0	XW5T-S4.0-FU6	50	22	
	Fuse terminal	4.0	1	2		PA	V0	XW5T-S4.0-KD	100	12	

## Accessories

### Short Bars

For XW5□-S2.5-□

No. of poles	Color	Model	Pack (pcs.)
2	Yellow (YL)	XW5S-S2.5-2	10
3		XW5S-S2.5-3	10
4		XW5S-S2.5-4	10
5		XW5S-S2.5-5	10
10		XW5S-S2.5-10	20

For XW5□-S4.0-□

No. of poles	Color	Model	Pack (pcs.)
2	Yellow (YL)	XW5S-S4.0-2	10
3		XW5S-S4.0-3	10
4		XW5S-S4.0-4	10
5		XW5S-S4.0-5	10
10		XW5S-S4.0-10	20

For XW5□-S6.0-□

No. of poles	Color	Model	Pack (pcs.)
2	Yellow (YL)	XW5S-S6.0-2	10
3		XW5S-S6.0-3	10
4		XW5S-S6.0-4	10
5		XW5S-S6.0-5	10

For XW5□-S10-□

No. of poles	Color	Model	Pack (pcs.)
2	Yellow (YL)	XW5S-S10-2	10

For XW5□-S16-□

No. of poles	Color	Model	Pack (pcs.)
2	Yellow (YL)	XW5S-S16-2	10

### Cross Connector with Screw

For XW5□-S2.5-1.1-2□

No. of poles	Color	Model	Pack (pcs.)
2	Yellow (YL)	XW5S-S2.5-2N	10
3		XW5S-S2.5-3N	10
4		XW5S-S2.5-4N	10
5		XW5S-S2.5-5N	10
10		XW5S-S2.5-10N	10

### End Covers

Applicable Terminal Blocks	Model	Pack (pcs.)
XW5□-S2.5-1.1-□ XW5□-S4.0-1.1-□ XW5□-S6.0-1.1-□ XW5□-S10-1.1-□	XW5E-S2.5	10
XW5T-S16-1.1-□	XW5E-S16	10
XW5T-S4.0-KD XW5□-S4.0-1.2-1	XW5E-S4.0-1.2-1	10
XW5□-S4.0-2.2-1	XW5E-S4.0-2.2-1	10
XW5□-S4.0-1.1-2□	XW5E-S4.0-1.1-2	10
XW5T-S2.5-1.1-2□	XW5E-S2.5N	10

### Separator Plates

Applicable Terminal Blocks	Model	Pack (pcs.)
XW5□-S2.5-1.1-□ XW5□-S4.0-1.1-□ XW5□-S6.0-1.1-□ XW5□-S10-1.1-□	XW5Z-S2.5PT	10

### Labels

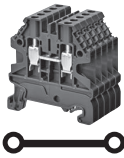
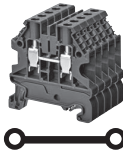
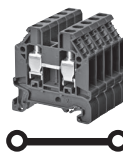
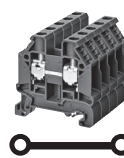
Applicable Terminal Blocks	Marking	Model	Pack (pcs.)
XW5□-S2.5-□	None	XW5Z-S2.5LB	25
	1-10	XW5Z-S2.5LB-1-10	25
	11-20	XW5Z-S2.5LB-11-20	25
	21-30	XW5Z-S2.5LB-21-30	25
	31-40	XW5Z-S2.5LB-31-40	25
	41-50	XW5Z-S2.5LB-41-50	25
	51-60	XW5Z-S2.5LB-51-60	25
	61-70	XW5Z-S2.5LB-61-70	25
	71-80	XW5Z-S2.5LB-71-80	25
	81-90	XW5Z-S2.5LB-81-90	25
	91-100	XW5Z-S2.5LB-91-100	25
	1-100	XW5Z-S2.5LB-1-100	1 *
	XW5□-S4.0-□	None	XW5Z-S4.0LB
1-10		XW5Z-S4.0LB-1-10	25
11-20		XW5Z-S4.0LB-11-20	25
21-30		XW5Z-S4.0LB-21-30	25
31-40		XW5Z-S4.0LB-31-40	25
41-50		XW5Z-S4.0LB-41-50	25
51-60		XW5Z-S4.0LB-51-60	25
61-70		XW5Z-S4.0LB-61-70	25
71-80		XW5Z-S4.0LB-71-80	25
81-90		XW5Z-S4.0LB-81-90	25
91-100		XW5Z-S4.0LB-91-100	25
1-100		XW5Z-S4.0LB-1-100	1 *
XW5□-S6.0-□		None	XW5Z-S6.0LB
	1-10	XW5Z-S6.0LB-1-10	25
	11-20	XW5Z-S6.0LB-11-20	25
	21-30	XW5Z-S6.0LB-21-30	25
	31-40	XW5Z-S6.0LB-31-40	25
	41-50	XW5Z-S6.0LB-41-50	25
	51-60	XW5Z-S6.0LB-51-60	25
	61-70	XW5Z-S6.0LB-61-70	25
	71-80	XW5Z-S6.0LB-71-80	25
	81-90	XW5Z-S6.0LB-81-90	25
	91-100	XW5Z-S6.0LB-91-100	25
	1-100	XW5Z-S6.0LB-1-100	1 *

\* Box including 250 pcs.

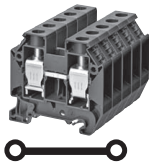
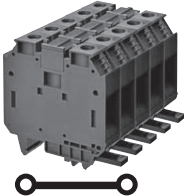
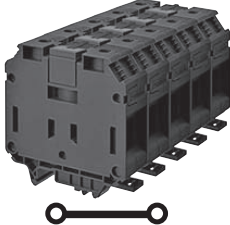
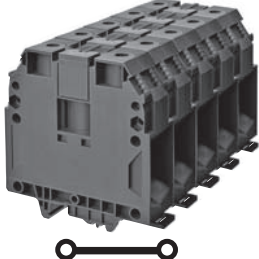
# XW5T

## Ratings and Specifications

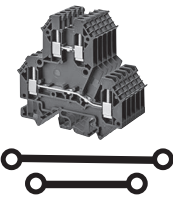
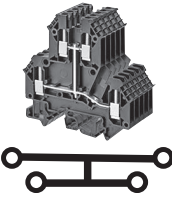
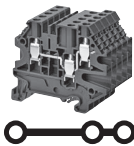
### Feed Through Terminal Blocks

Model	XW5T-S2.5-1.1-1(BL)	XW5T-S4.0-1.1-1(BL)	XW5T-S6.0-1.1-1(BL)	XW5T-S10-1.1-1(BL)	
Appearance and internal wiring	1 tier, 1:1 	1 tier, 1:1 	1 tier, 1:1 	1 tier, 1:1 	
Applicable wire sizes	NOMINAL CROSS SECTION	2.5 mm <sup>2</sup>	4.0 mm <sup>2</sup>	6.0 mm <sup>2</sup>	10 mm <sup>2</sup>
	Minimum conductor cross section solid	0.14 mm <sup>2</sup>	0.14 mm <sup>2</sup>	0.2 mm <sup>2</sup>	0.5 mm <sup>2</sup>
	Maximum conductor cross section solid	4.0 mm <sup>2</sup>	6.0 mm <sup>2</sup>	10 mm <sup>2</sup>	16 mm <sup>2</sup>
	Minimum conductor cross section fine stranded	0.14 mm <sup>2</sup>	0.14 mm <sup>2</sup>	0.2 mm <sup>2</sup>	0.5 mm <sup>2</sup>
	Maximum conductor cross section fine stranded	4.0 mm <sup>2</sup>	6.0 mm <sup>2</sup>	10 mm <sup>2</sup>	16 mm <sup>2</sup>
	Minimum conductor cross section (flex., stranded) with cable end sleeve	0.5 mm <sup>2</sup>	0.5 mm <sup>2</sup>	0.5 mm <sup>2</sup>	0.5 mm <sup>2</sup>
	Maximum conductor cross section (flex., stranded) with cable end sleeve	2.5 mm <sup>2</sup>	4.0 mm <sup>2</sup>	6.0 mm <sup>2</sup>	10 mm <sup>2</sup>
	Conductor cross section AWG	AWG26 to AWG12	AWG26 to AWG10	AWG24 to AWG8	AWG20 to AWG6
	Wire strip length	9 mm	9 mm	11 mm	13 mm
Tightening torque	0.4 Nm	0.5 Nm	1.2 Nm	1.2 Nm	
Dimensions	5×48.2×56	6×48.2×56	8×48.2×56	10×48.2×56.2	
Mounting rail	TH35	TH35	TH35	TH35	
IEC rated voltage	1,000 V	1,000 V	1,000 V	1,000 V	
IEC rated current	24 A	32 A	41 A	57 A	
Rated impulse voltage	8 kV	8 kV	8 kV	8 kV	
UL rated voltage	600 V	600 V	600 V	600 V	
UL rated current	20 A	30 A	50 A	65 A	
End Covers	XW5E-S2.5-1.1-1	XW5E-S2.5-1.1-1	XW5E-S2.5-1.1-1	XW5E-S2.5-1.1-1	
Applicable nameplates	XW5Z-S2.5LB	XW5Z-S4.0LB□	XW5Z-S6.0LB□	---	
Applicable Short Bars	XW5S-S4.0-□ (□: Poles = 2, 3, 4, 5 or 10)	XW5S-S4.0-□ (□: Poles = 2, 3, 4, 5 or 10)	XW5S-S6.0-□ (□: Poles = 2,3, 4, or 5)	XW5S-S10-□ (□: Poles = 2)	

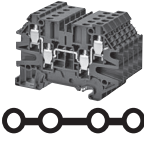
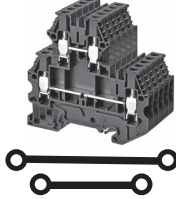
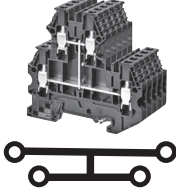
## Feed Through Terminal Blocks

Model	XW5T-S16-1.1-1(BL)	XW5T-S35-1.1-1(BL)	XW5T-S70-1.1-1(BL)	XW5T-S150-1.1-1(BL)	
Appearance and internal wiring	1 tier, 1:1 	1 tier, 1:1 	1 tier, 1:1 	1 tier, 1:1 	
	<b>NOMINAL CROSS SECTION</b>	16 mm <sup>2</sup>	35 mm <sup>2</sup>	70 mm <sup>2</sup>	150 mm <sup>2</sup>
Applicable wire sizes	<b>Minimum conductor cross section solid</b>	1.5 mm <sup>2</sup>	10 mm <sup>2</sup>	---	---
	<b>Maximum conductor cross section solid</b>	16 mm <sup>2</sup>	10 mm <sup>2</sup>	---	---
	<b>Minimum conductor cross section fine stranded</b>	4.0 mm <sup>2</sup>	10 mm <sup>2</sup>	10 mm <sup>2</sup>	35 mm <sup>2</sup>
	<b>Maximum conductor cross section fine stranded</b>	25 mm <sup>2</sup>	35 mm <sup>2</sup>	70 mm <sup>2</sup>	150 mm <sup>2</sup>
	<b>Minimum conductor cross section (flex., stranded) with cable end sleeve</b>	1.5 mm <sup>2</sup>	---	---	---
	<b>Maximum conductor cross section (flex., stranded) with cable end sleeve</b>	16 mm <sup>2</sup>	---	---	---
	<b>Conductor cross section AWG</b>	AWG14 to AWG4	AWG10 to AWG 1/0	AWG6 to AWG 2/0	AWG 2/0 to 350 kcmil
	<b>Wire strip length</b>	15 mm	18 mm	24 mm	30 mm
	<b>Tightening torque</b>	2 Nm	3 Nm	6 Nm	10 Nm
<b>Dimensions</b>	12x58.5x62	16x63x75.1	24x75.2x88.7	28x96x106.1	
<b>Mounting rail</b>	TH35	TH35	TH35	TH35	
<b>IEC rated voltage</b>	1,000 V	800 V	800 V	1,000 V	
<b>IEC rated current</b>	76 A	124 A	179 A	309 A	
<b>Rated impulse voltage</b>	8 kV	8 kV	8 kV	8 kV	
<b>UL rated voltage</b>	600 V	600 V	600 V	600 V	
<b>UL rated current</b>	85 A	150 A	175 A	335 A	
<b>End Covers</b>	XW5E-S16				
<b>Applicable nameplates</b>	---	---	---	---	
<b>Applicable Short Bars</b>	XW5S-S16-□ (□: Poles = 2)	---	---	---	

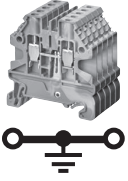
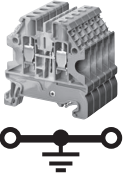
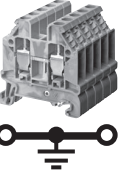
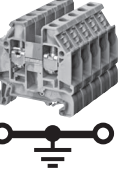
## Feed Through Terminal Blocks

Model	XW5T-S2.5-1.1-2	XW5T-S2.5-1.1-2V	XW5T-S4.0-1.2-1(BL)	
Appearance and internal wiring	2 tiers, 2:2 	2 tiers, 2:2 	1 tier, 1:2 	
Applicable wire sizes	NOMINAL CROSS SECTION	2.5 mm <sup>2</sup>	2.5 mm <sup>2</sup>	4.0 mm <sup>2</sup>
	Minimum conductor cross section solid	0.2 mm <sup>2</sup>	0.2 mm <sup>2</sup>	0.14 mm <sup>2</sup>
	Maximum conductor cross section solid	4.0 mm <sup>2</sup>	4.0 mm <sup>2</sup>	6.0 mm <sup>2</sup>
	Minimum conductor cross section fine stranded	0.14 mm <sup>2</sup>	0.14 mm <sup>2</sup>	0.14 mm <sup>2</sup>
	Maximum conductor cross section fine stranded	2.5 mm <sup>2</sup>	2.5 mm <sup>2</sup>	6.0 mm <sup>2</sup>
	Minimum conductor cross section (flex., stranded) with cable end sleeve	---	---	0.5 mm <sup>2</sup>
	Maximum conductor cross section (flex., stranded) with cable end sleeve	---	---	4.0 mm <sup>2</sup>
	Conductor cross section AWG	AWG22 to AWG12	AWG22 to AWG12	AWG26 to AWG10
Wire strip length	8 mm	8 mm	9 mm	
Tightening torque	0.4 Nm	0.4 Nm	0.5 Nm	
Dimensions	5x65.8x71.4	5x65.8x71.4	6x58x56	
Mounting rail	TH35	TH35	TH35	
IEC rated voltage	500 V	500 V	500 V	
IEC rated current	24 A	24 A	32 A	
Rated impulse voltage	6 kV	6 kV	6 kV	
UL rated voltage	600 V	600 V	300 V	
UL rated current	20 A	20 A	30 A	
End Covers	XW5E-S2.5N	XW5E-S2.5N	XW5E-S4.0-1.2-1	
Applicable nameplates	XW5Z-2.5LB□	XW5Z-2.5LB□	XW5Z-4.0LB□	
Applicable Short Bars	XW5S-S2.5-□N (□: Poles = 2, 3, 4, 5, or 10)	XW5S-S2.5-□N (□: Poles = 2, 3, 4, 5, or 10)	XW5S-S4.0-□ (□: Poles = 2, 3, 4, 5, or 10)	

## Feed Through Terminal Blocks

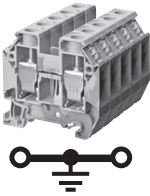
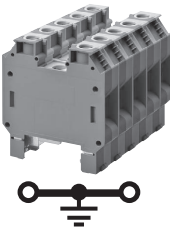
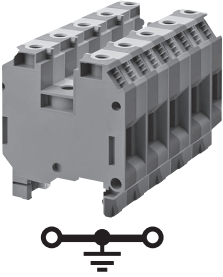
Model	XW5T-S4.0-2.2-1(BL)	XW5T-S4.0-1.1-2	XW5T-S4.0-1.1-2V	
Appearance and internal wiring	1 tier, 2:2 	2 tiers, 1:1 	2 tiers, 1:1 	
Applicable wire sizes	<b>NOMINAL CROSS SECTION</b>	4.0 mm <sup>2</sup>	4.0 mm <sup>2</sup>	4.0 mm <sup>2</sup>
	<b>Minimum conductor cross section solid</b>	0.14 mm <sup>2</sup>	0.14 mm <sup>2</sup>	0.14 mm <sup>2</sup>
	<b>Maximum conductor cross section solid</b>	6.0 mm <sup>2</sup>	6.0 mm <sup>2</sup>	6.0 mm <sup>2</sup>
	<b>Minimum conductor cross section fine stranded</b>	0.14 mm <sup>2</sup>	0.14 mm <sup>2</sup>	0.14 mm <sup>2</sup>
	<b>Maximum conductor cross section fine stranded</b>	6.0 mm <sup>2</sup>	6.0 mm <sup>2</sup>	6.0 mm <sup>2</sup>
	<b>Minimum conductor cross section (flex., stranded) with cable end sleeve</b>	0.5 mm <sup>2</sup>	0.5 mm <sup>2</sup>	0.5 mm <sup>2</sup>
	<b>Maximum conductor cross section (flex., stranded) with cable end sleeve</b>	4.0 mm <sup>2</sup>	4.0 mm <sup>2</sup>	4.0 mm <sup>2</sup>
	<b>Conductor cross section AWG</b>	AWG26 to AWG10	AWG26 to AWG10	AWG26 to AWG10
	<b>Wire strip length</b>	9 mm	9 mm	9 mm
<b>Tightening torque</b>	0.5 Nm	0.5 Nm	0.5 Nm	
<b>Dimensions</b>	6×69×58	6×73×75	6×73×75	
<b>Mounting rail</b>	TH35	TH35	TH35	
<b>IEC rated voltage</b>	500 V	800 V	800 V	
<b>IEC rated current</b>	32 A	32 A	32 A	
<b>Rated impulse voltage</b>	6 kV	8 kV	8 kV	
<b>UL rated voltage</b>	300 V	300 V	300 V	
<b>UL rated current</b>	30 A	30 A	30 A	
<b>End Covers</b>	XW5E-S4.0-2.2-1	XW5E-S4.0-1.1-2	XW5E-S4.0-1.1-2	
<b>Applicable nameplates</b>	XW5Z-4.0LB□	XW5Z-4.0LB□	XW5Z-4.0LB□	
<b>Applicable Short Bars</b>	XW5S-S4.0-□ (□: Poles = 2, 3, 4, 5, or 10)	XW5S-S4.0-□ (□: Poles = 2, 3, 4, 5, or 10)	XW5S-S4.0-□ (□: Poles = 2, 3, 4, 5, or 10)	

## Grounding Terminal Blocks

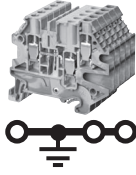
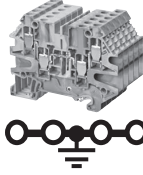
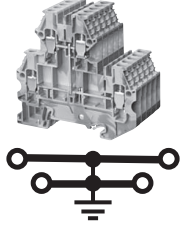
Model	XW5G-S2.5-1.1-1	XW5G-S4.0-1.1-1	XW5G-S6.0-1.1-1	XW5G-S10-1.1-1	
Appearance and internal wiring	1 tier, 1:1 	1 tier, 1:1 	1 tier, 1:1 	1 tier, 1:1 	
Applicable wire sizes	NOMINAL CROSS SECTION	2.5 mm <sup>2</sup>	4.0 mm <sup>2</sup>	6.0 mm <sup>2</sup>	10 mm <sup>2</sup>
	Minimum conductor cross section solid	0.14 mm <sup>2</sup>	0.14 mm <sup>2</sup>	0.2 mm <sup>2</sup>	0.5 mm <sup>2</sup>
	Maximum conductor cross section solid	4.0 mm <sup>2</sup>	6.0 mm <sup>2</sup>	10 mm <sup>2</sup>	16 mm <sup>2</sup>
	Minimum conductor cross section fine stranded	0.14 mm <sup>2</sup>	0.14 mm <sup>2</sup>	0.2 mm <sup>2</sup>	0.5 mm <sup>2</sup>
	Maximum conductor cross section fine stranded	4.0 mm <sup>2</sup>	6.0 mm <sup>2</sup>	10 mm <sup>2</sup>	16 mm <sup>2</sup>
	Minimum conductor cross section (flex., stranded) with cable end sleeve	0.5 mm <sup>2</sup>	0.5 mm <sup>2</sup>	0.5 mm <sup>2</sup>	0.5 mm <sup>2</sup>
	Maximum conductor cross section (flex., stranded) with cable end sleeve	2.5 mm <sup>2</sup>	4.0 mm <sup>2</sup>	6.0 mm <sup>2</sup>	10 mm <sup>2</sup>
	Conductor cross section AWG	AWG26 to AWG12	AWG26 to AWG10	AWG24 to AWG8	AWG20 to AWG6
	Wire strip length	9 mm	9 mm	11 mm	13 mm
Tightening torque	0.4 Nm	0.5 Nm	1.2 Nm	1.2 Nm	
Dimensions	5x48.2x56	6x48.2x56	8x48.2x56	10x48.2x56.2	
Mounting rail	TH35	TH35	TH35	TH35	
IEC rated voltage	1,000 V	1,000 V	1,000 V	1,000 V	
IEC rated current	---	---	---	---	
Rated impulse voltage	8 kV	8 kV	8 kV	8 kV	
UL rated voltage	600 V	600 V	600 V	600 V	
UL rated current	---	---	---	---	
End Covers	XW5E-S2.5	XW5E-S2.5	XW5E-S2.5	XW5E-S2.5	
Applicable nameplates	XW5Z-S2.5LB□	XW5Z-S4.0LB□	XW5Z-S6.0LB□	---	
Applicable Short Bars	---	---	---	---	





## Grounding Terminal Blocks

Model	XW5G-S16-1.1-1	XW5G-S35-1.1-1	XW5G-S70-1.1-1	
Appearance and internal wiring	1 tier, 1:1 	1 tier, 1:1 	1 tier, 1:1 	
Applicable wire sizes	<b>NOMINAL CROSS SECTION</b>	16 mm <sup>2</sup>	35 mm <sup>2</sup>	70 mm <sup>2</sup>
	Minimum conductor cross section solid	1.5 mm <sup>2</sup>	10 mm <sup>2</sup>	---
	Maximum conductor cross section solid	16 mm <sup>2</sup>	35 mm <sup>2</sup>	---
	Minimum conductor cross section fine stranded	4.0 mm <sup>2</sup>	10 mm <sup>2</sup>	10 mm <sup>2</sup>
	Maximum conductor cross section fine stranded	25 mm <sup>2</sup>	35 mm <sup>2</sup>	70 mm <sup>2</sup>
	Minimum conductor cross section (flex., stranded) with cable end sleeve	1.5 mm <sup>2</sup>	---	---
	Maximum conductor cross section (flex., stranded) with cable end sleeve	16 mm <sup>2</sup>	---	---
	Conductor cross section AWG	AWG14 to AWG4	AWG10 to AWG2	AWG6 to AWG 2/0
Wire strip length	15 mm	20 mm	24 mm	
Tightening torque	2 Nm	3 Nm	6 Nm	
Dimensions	12x58.5x62	16x63x75.1	24x75.2x88.7	
Mounting rail	TH35	TH35	TH35	
IEC rated voltage	1000 V	800 V	800 V	
IEC rated current	---	---	---	
Rated impulse voltage	8 kV	8 kV	8 kV	
UL rated voltage	600 V	600 V	600 V	
UL rated current	---	---	---	
End Covers	XW5E-S16	---	---	
Applicable nameplates	---	---	---	
Applicable Short Bars	---	---	---	

## Grounding Terminal Blocks

Model		XW5G-S4.0-1.2-1	XW5G-S4.0-2.2-1	XW5G-S4.0-1.1-2
Appearance and internal wiring		1 tier, 1:2 	1 tier, 2:2 	2 tiers, 1:1 
Applicable wire sizes	NOMINAL CROSS SECTION	4.0 mm <sup>2</sup>	4.0 mm <sup>2</sup>	4.0 mm <sup>2</sup>
	Minimum conductor cross section solid	0.14 mm <sup>2</sup>	0.14 mm <sup>2</sup>	0.14 mm <sup>2</sup>
	Maximum conductor cross section solid	6 mm <sup>2</sup>	6 mm <sup>2</sup>	6 mm <sup>2</sup>
	Minimum conductor cross section fine stranded	0.14 mm <sup>2</sup>	0.14 mm <sup>2</sup>	0.14 mm <sup>2</sup>
	Maximum conductor cross section fine stranded	6 mm <sup>2</sup>	6 mm <sup>2</sup>	6 mm <sup>2</sup>
	Minimum conductor cross section (flex., stranded) with cable end sleeve	0.5 mm <sup>2</sup>	0.5 mm <sup>2</sup>	0.5 mm <sup>2</sup>
	Maximum conductor cross section (flex., stranded) with cable end sleeve	4 mm <sup>2</sup>	4 mm <sup>2</sup>	4 mm <sup>2</sup>
	Conductor cross section AWG	AWG26 to AWG10	AWG26 to AWG10	AWG26 to AWG10
Wire strip length	9 mm	9 mm	9 mm	
Tightening torque	0.5 Nm	0.5 Nm	0.5 Nm	
Dimensions	6×58×56	6×69×58	6×73×75	
Mounting rail	TH35	TH35	TH35	
IEC rated voltage	500 V	500 V	800 V	
IEC rated current	---	---	---	
Rated impulse voltage	6 kV	6 kV	8 kV	
UL rated voltage	300 V	300 V	300 V	
UL rated current	---	---	---	
End Covers	XW5E-S4.0-1.2-1	XW5E-S4.0-2.2-1	XW5E-S4.0-1.1-2	
Applicable nameplates	XW5Z-4.0LB□	XW5Z-4.0LB□	XW5Z-4.0LB□	
Applicable Short Bars	---	---	---	

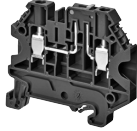
## Terminal Blocks with Fuses

Model		XW5T-S4.0-FU5	XW5T-S4.0-FU6
Appearance and internal wiring		1 tier, 1:1 	1 tier, 1:1 
Applicable wire sizes	NOMINAL CROSS SECTION	4.0 mm <sup>2</sup>	4.0 mm <sup>2</sup>
	Minimum conductor cross section solid	0.5 mm <sup>2</sup>	0.5 mm <sup>2</sup>
	Maximum conductor cross section solid	6 mm <sup>2</sup>	6 mm <sup>2</sup>
	Minimum conductor cross section fine stranded	0.5 mm <sup>2</sup>	0.5 mm <sup>2</sup>
	Maximum conductor cross section fine stranded	4 mm <sup>2</sup>	4 mm <sup>2</sup>
	Minimum conductor cross section (flex., stranded) with cable end sleeve	---	---
	Maximum conductor cross section (flex., stranded) with cable end sleeve	---	---
	Conductor cross section AWG	AWG22 to AWG10	AWG22 to AWG10
	Wire strip length	8 mm	8 mm
Tightening torque	0.5 Nm	0.5 Nm	
Dimensions	8×77.2×62	10×77.2×62	
Mounting rail	TH35	TH35	
IEC rated voltage	800 V	800 V	
IEC rated current	6.3 A	10 A	
Rated impulse voltage	8 kV	8 kV	
UL rated voltage	600 V	600 V	
UL rated current	15 A	15 A	
End Covers	---	---	
Applicable nameplates	---	---	
Applicable Short Bars	---	---	

### Technical Information for XW5T-S4.0-FU5, XW5T-S4.0-FU6

The fuse blocks of this type have a flip top disconnect lever. It accepts miniature fuses of 5×20, 5×25 and 5×30 mm (terminal width: 8 mm) or 6.3×32 mm (terminal width: 10 mm). The hinged lever has latch points both in the open and in the closed position, and can be sealed. Depending on the application and the installation method, the circumstances for increased temperature must be checked in the closed fuse holders. Higher ambient temperatures are an additional load for the fuse inserts. Therefore, the reduction of the rated current must be considered accordingly in these applications.

## Disconnect Terminal Blocks

Model		XW5T-S4.0-KD
Appearance and internal wiring		<p>1 tier, 1:1</p> 
Applicable wire sizes	NOMINAL CROSS SECTION	4.0 mm <sup>2</sup>
	Minimum conductor cross section solid	0.14 mm <sup>2</sup>
	Maximum conductor cross section solid	6 mm <sup>2</sup>
	Minimum conductor cross section fine stranded	0.14 mm <sup>2</sup>
	Maximum conductor cross section fine stranded	6 mm <sup>2</sup>
	Minimum conductor cross section (flex., stranded) with cable end sleeve	0.5 mm <sup>2</sup>
	Maximum conductor cross section (flex., stranded) with cable end sleeve	4 mm <sup>2</sup>
	Conductor cross section AWG	AWG26 to AWG10
	Wire strip length	9 mm
Tightening torque		0.5 Nm
Dimensions		6×58×58
Mounting rail		TH35
IEC rated voltage		500 V
IEC rated current		20 A
Rated impulse voltage		6 kV
UL rated voltage		300 V
UL rated current		16 A
End Covers		XW5E-S4.0-1.2-1
Applicable nameplates		XW5Z-S4.0LB□
Applicable Short Bars		XW5S-S4.0-□

## Short Bar

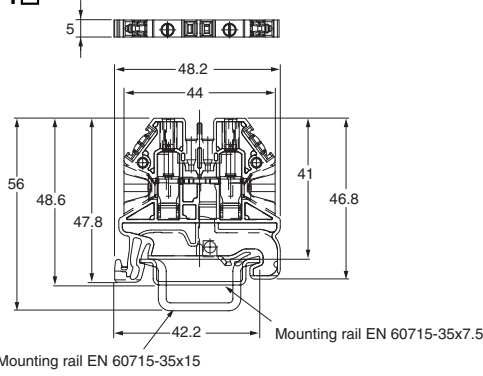
Model	XW5S-S2.5-□	XW5S-S4.0-□	XW5S-S6.0-□	XW5S-S10-□	XW5S-S16-□
IEC rated voltage	600 V			1,000 V	
IEC rated current	20 A	30 A	50 A	57 A	76 A
UL rated voltage	600 V				
UL rated current	20 A	30 A	50 A	65 A	85 A
Compliant standards	UL				
	IEC60947-7-1				

## Characteristics

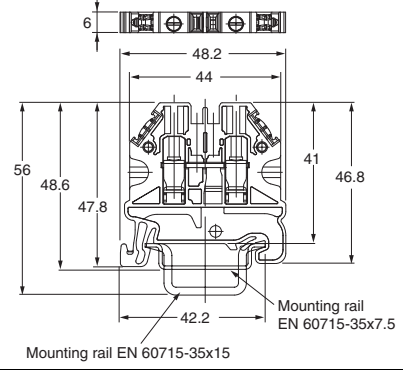
Operating temperature range	-40 to 60°C (with no condensation or icing)
Insulating material	PA
Flammability rating according to UL 94	V0
Operating humidity	range 5% to 95%
Compliant standards	cULus (UL 1059), IEC 60947-7-1 and IEC 60947-7-2
Vibration resistance	5 to 150 Hz 0.964 (m/s <sup>2</sup> )/Hz
Shock resistance	50 m/s <sup>2</sup> 30 ms according EN 61373

Dimensions

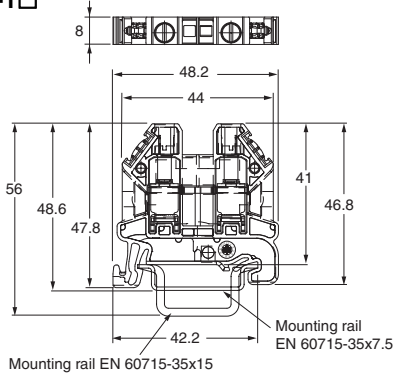
XW5□-□2.5-1.1-1□



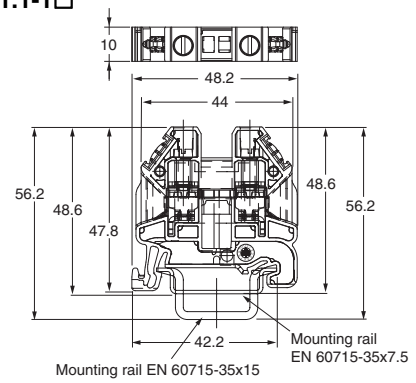
XW5□-S4.0-1.1-1



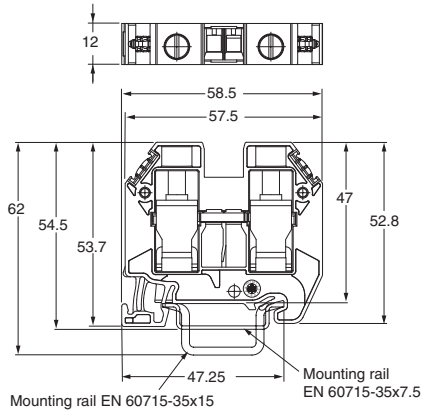
XW5□-S6.0-1.1-1□



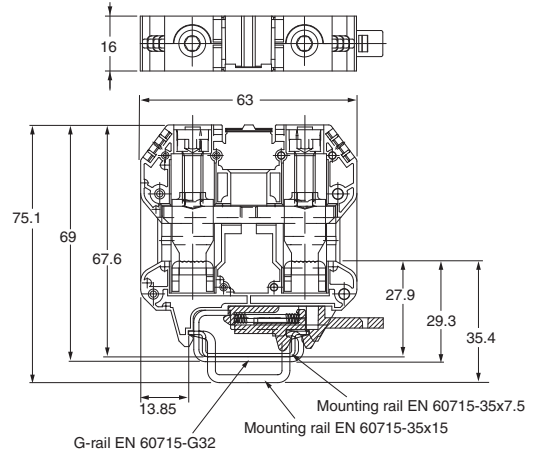
XW5□-S10-1.1-1□



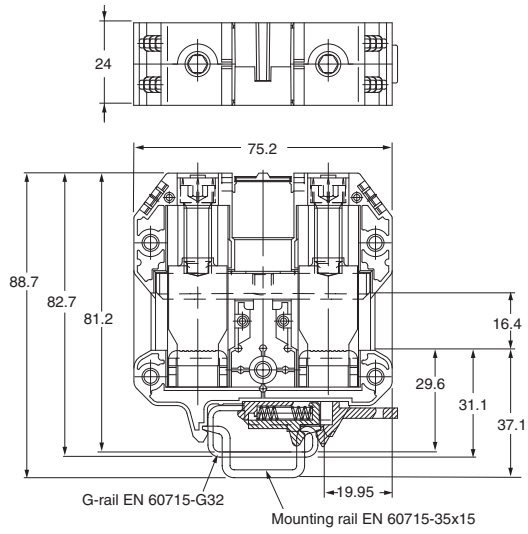
XW5□-S16-1.1-1□



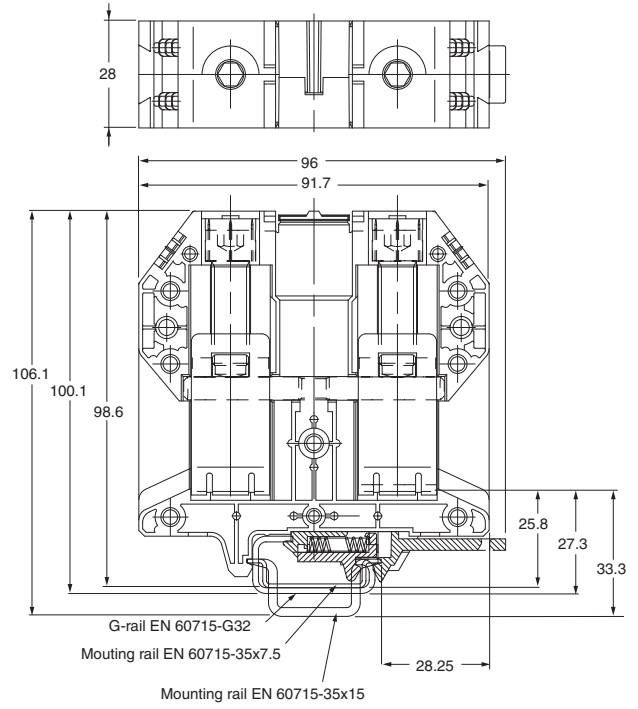
XW5□-S35-1.1-1□



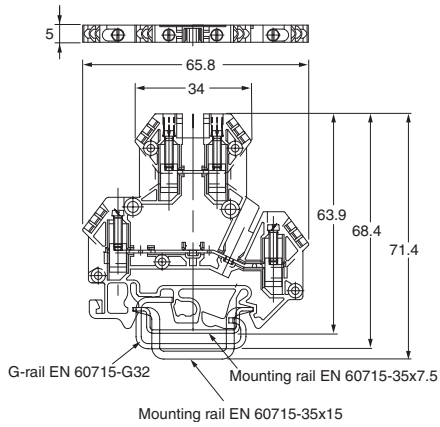
**XW5□-S70-1.1-1□**



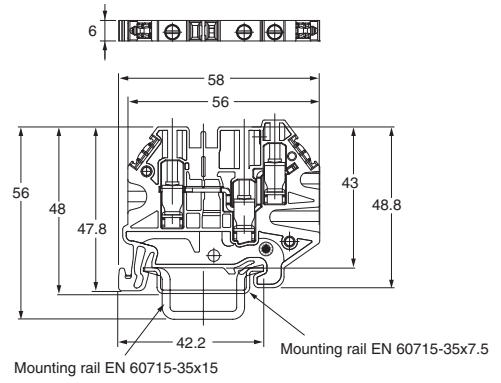
**XW5□-S150-1.1-1□**



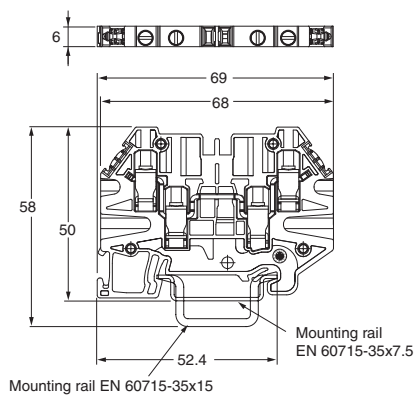
**XW5□-S2.5-1.1-2□**



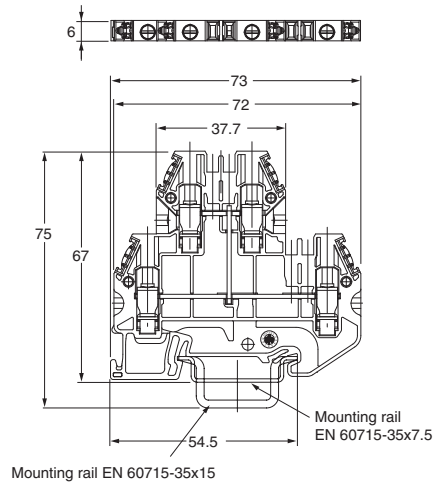
**XW5□-S4.0-1.2-1**



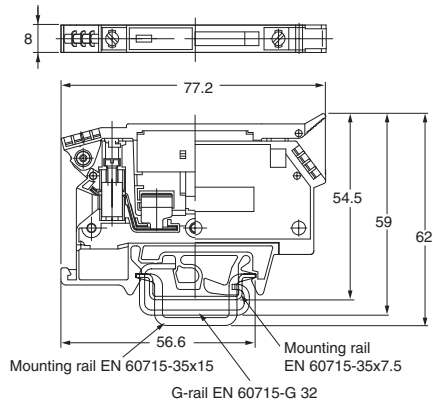
**XW5□-S4.0-2.2-1**



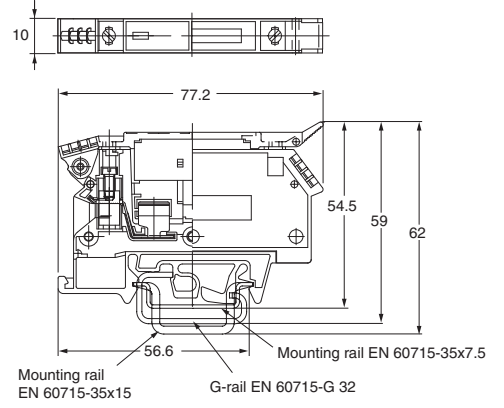
**XW5□-S4.0-1.1-2□**



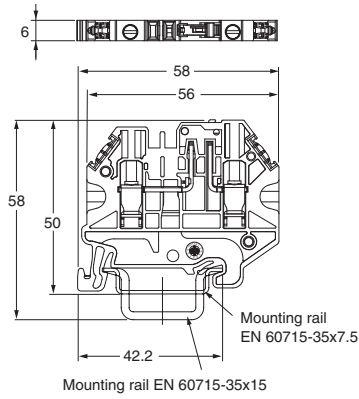
XW5T-S4.0-FU5



XW5T-S4.0-FU6



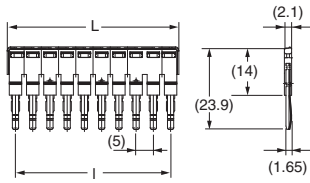
XW5T-S4.0-KD



# XW5T

## Short Bars

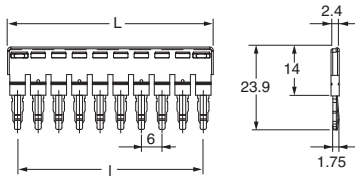
### XW5S-S2.5-□



#### For XW5□-S2.5-□

Model	l (mm)	L (mm)
XW5S-S2.5-2	5	10
XW5S-S2.5-3	10	15
XW5S-S2.5-4	15	20
XW5S-S2.5-5	20	25
XW5S-S2.5-10	45	50

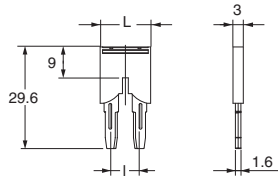
### XW5S-S4.0-□



#### For XW5□-S4.0-□

Model	l (mm)	L (mm)
XW5S-S4.0-2	6	12
XW5S-S4.0-3	12	18
XW5S-S4.0-4	18	24
XW5S-S4.0-5	24	30
XW5S-S4.0-10	54	60

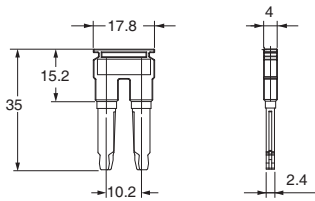
### XW5S-S6.0-□



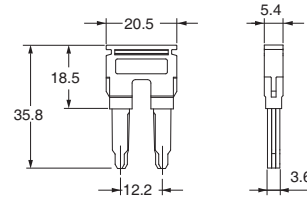
#### For XW5□-S6.0-□

Model	l (mm)	L (mm)
XW5S-S6.0-2	8.2	14.7
XW5S-S6.0-3	16.4	22.9
XW5S-S6.0-4	24.6	31.1
XW5S-S6.0-5	32.8	39.3

### XW5S-S10-2

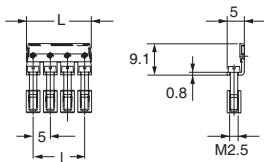


### XW5S-S16-2



## Cross Connector with Screw

### XW5S-S2.5-□N



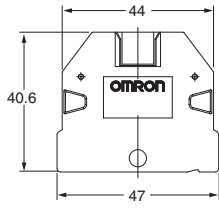
#### For XW5□-S2.5-1.1-2□

Model	l (mm)	L (mm)
XW5S-S2.5-2N	5	8.9
XW5S-S2.5-3N	10	13.9
XW5S-S2.5-4N	15	18.9
XW5S-S2.5-5N	20	23.9
XW5S-S2.5-10N	45	48.9

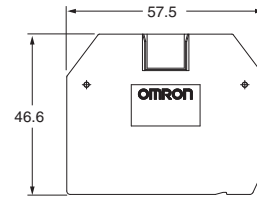


End Covers

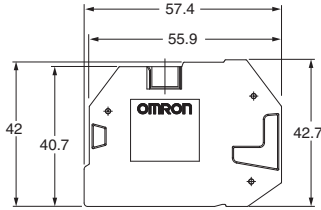
XW5E-S2.5



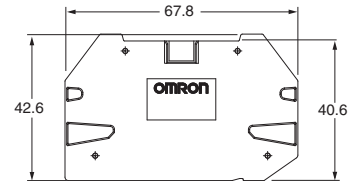
XW5E-S16



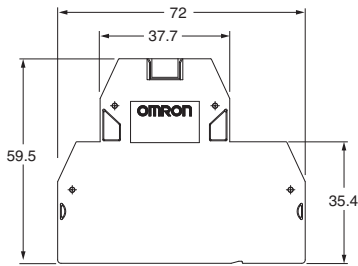
XW5E-S4.0-1.2-1



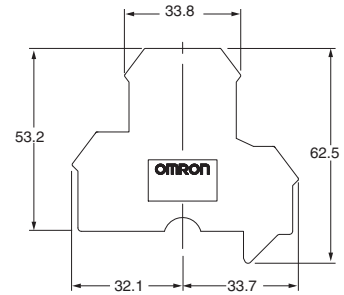
XW5E-S4.0-2.2-1



XW5E-S4.0-1.1-2

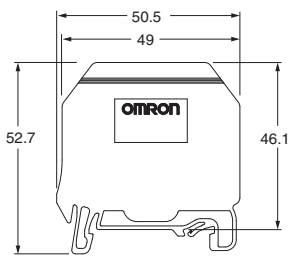


XW5E-S2.5N



Separator Plates

XW5Z-S2.5PT



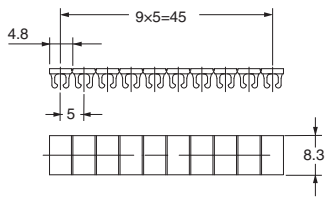
# XW5T

---

## Label

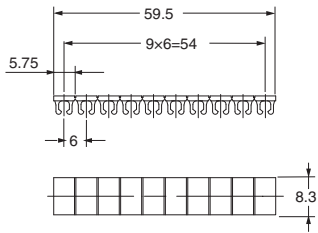
---

### XW5Z-S2.5□



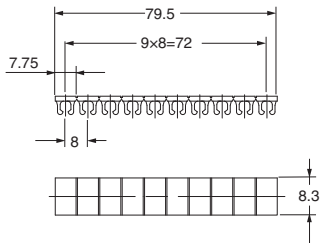
---

### XW5Z-S4.0□



---

### XW5Z-S6.0□



# Safety Precautions

Be sure to read the precautions for all models in the website at the following URL: <http://www.ia.omron.com/>.

## Signal Word Definitions

<b>Precautions for Safe Use</b>	Supplementary comments on what to do or avoid doing, to use the product safely.
<b>Precautions for Correct Use</b>	Supplementary comments on what to do or avoid doing, to prevent failure to operate, malfunction, or undesirable effects on product performance.

### Precautions for Safe Use

- Do not bend a wire past its natural bending radius or pull on it with excessive force.  
Doing so may cause the wire disconnection.
- Do not insert more than one wire into each terminal insertion hole.
- Before you start wiring, make sure that the Terminal Block is securely attached and mounted to a DIN Track.  
If the Terminal Block is not stable, it may fall and possibly injure a worker.
- Do not install the Terminal Block upside down when mounting multiple Terminal Blocks.  
Doing so may cause short circuits with the adjacent Terminal Block.

### Precautions for Correct Use

## 1. Precautions for Correct Use

- Do not drop the Terminal Block. Terminal Block functionality may be inhibited.
- Always attach End Cover. Not doing so may cause electrical shock.
- When you wire the Terminal Block, do not subject it or the wires to stress. Secure the wires so that they do not resonate with vibrations from the facilities in installation conditions.
- Always turn OFF the power supply before wiring. Electrical shock may occur.

## 2. Connecting Wires to the Terminal Block

### Wiring

- Double-check all wiring before turning ON the power supply.
- After wiring, route the cable so that force is not applied directly to the connections.

### Wires for Terminal Blocks

- Do not damage the cores when stripping the insulation from them.
- Always twist stranded wires together before connecting them.
- Do not presolder wires. It may not be possible to connect them or remove them.

### Screw Tightening Torque and Applicable Wires

When you connect wires to a Terminal Block, use the applicable wires and tightening torque given in the following table.

Model	Wiring method	Tightening torque [N·m] (Use a flat-blade screwdriver.)	Applicable wire sizes	Applicable wire sizes with ferrules attached
XW5□-S2.5	M2.5	0.4	AWG26-AWG12	AWG20-AWG14
XW5□-S4.0	M3	0.5	AWG26-AWG10	AWG20-AWG12
XW5□-S6.0	M4	1.2	AWG24-AWG8	AWG20-AWG10
XW5□-S10	M4	1.2	AWG20-AWG6	AWG20-AWG8
XW5□-S16	M5	2	AWG12-AWG4	AWG12-AWG6
XW5□-S35	M6	2.5	AWG10-AWG1/0	AWG10-AWG2
XW5□-S70	M8	3.5	AWG6-AWG2/0	AWG6-AWG2/0
XW5□-S150	M10	4	AWG2/0-350kcmil	AWG2/0-300kcmil

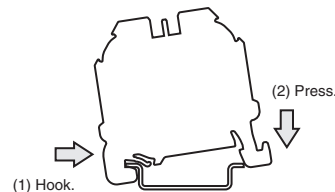
### Wire Stripping Lengths

If you connect wires directly to the terminals, use the following stripping lengths.

Model	Stripping length [mm]
XW5□-S2.5	9
XW5□-S4.0	9
XW5□-S6.0	11
XW5□-S10	13
XW5□-S16	15
XW5□-S35	18
XW5□-S70	24
XW5□-S150	30

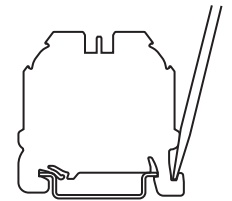
## 3. Mounting to and Removing from DIN Track

### Mounting Procedure



- Hook the Unit on the DIN Track.
- Press the Unit onto the DIN Track to secure it.

### Removal Procedure



- Insert a flat-blade screwdriver into the DIN Track lock.
- Move the screwdriver like a lever to free the lock.

**OMRON AUTOMATION AMERICAS HEADQUARTERS** • Chicago, IL USA • 847.843.7900 • 800.556.6766 • automation.omron.com

**OMRON CANADA, INC. • HEAD OFFICE**

Toronto, ON, Canada • 416.286.6465 • 866.986.6766 • automation.omron.com

**OMRON ELECTRONICS DE MEXICO • HEAD OFFICE**

Ciudad de México • 52.55.5901.4300 • 01.800.386.6766 • mela@omron.com

**OMRON ELECTRONICS DE MEXICO • SALES OFFICE**

San Pedro Garza García, N.L. • 81.12.53.7392 • 01.800.386.6766 • mela@omron.com

**OMRON ELECTRONICS DE MEXICO • SALES OFFICE**

Eugenio Garza Sada, León, Gto • 01.800.386.6766 • mela@omron.com

**OMRON ELETRÔNICA DO BRASIL LTDA • HEAD OFFICE**

São Paulo, SP, Brasil • 55 11 5171-8920 • automation.omron.com

**OMRON ARGENTINA • SALES OFFICE**

Buenos Aires, Argentina • +54.11.4521.8630 • +54.11.4523.8483  
mela@omron.com

**OTHER OMRON LATIN AMERICA SALES**

+54.11.4521.8630 • +54.11.4523.8483 • mela@omron.com

*Authorized Distributor:*

**Controllers & I/O**

- Machine Automation Controllers (MAC) • Motion Controllers
- Programmable Logic Controllers (PLC) • Temperature Controllers • Remote I/O

**Robotics**

- Industrial Robots • Mobile Robots

**Operator Interfaces**

- Human Machine Interface (HMI)

**Motion & Drives**

- Machine Automation Controllers (MAC) • Motion Controllers • Servo Systems
- Frequency Inverters

**Vision, Measurement & Identification**

- Vision Sensors & Systems • Measurement Sensors • Auto Identification Systems

**Sensing**

- Photoelectric Sensors • Fiber-Optic Sensors • Proximity Sensors
- Rotary Encoders • Ultrasonic Sensors

**Safety**

- Safety Light Curtains • Safety Laser Scanners • Programmable Safety Systems
- Safety Mats and Edges • Safety Door Switches • Emergency Stop Devices
- Safety Switches & Operator Controls • Safety Monitoring/Force-guided Relays

**Control Components**

- Power Supplies • Timers • Counters • Programmable Relays
- Digital Panel Meters • Monitoring Products

**Switches & Relays**

- Limit Switches • Pushbutton Switches • Electromechanical Relays
- Solid State Relays

**Software**

- Programming & Configuration • Runtime