

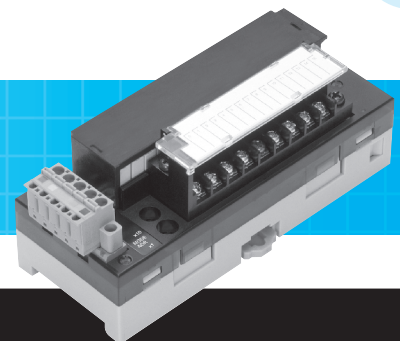
DeviceNet Smart Slaves

Relay Output Remote I/O Terminal

DRT2-ROS16

Smart Slaves with remote maintenance functions now include Relay Output Terminals.

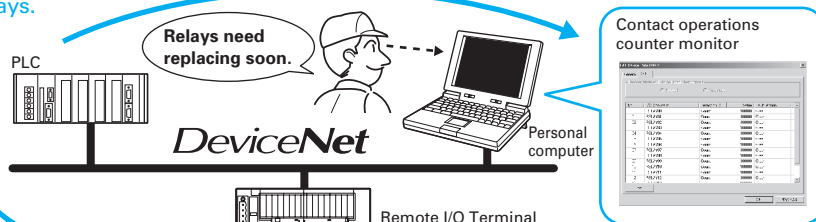
DeviceNet



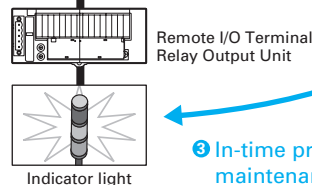
The best for preventive maintenance.

Smart Slave Functions

2 Easy-to-read Configurator displays.



1 The slave monitors the number of times a relay has switched and signals the PLC when a set maximum is reached.



3 In-time preventive maintenance

Functions

Contact operations counter	<input type="checkbox"/>
Unit ON time monitor function	<input type="checkbox"/>
Total ON time monitor function	<input type="checkbox"/>
Slave comment/connected device comment function	<input type="checkbox"/>
Network power supply voltage monitor	<input type="checkbox"/>
Addition of Expansion I/O Units	<input type="checkbox"/>
Communications error log	<input type="checkbox"/>
Shared I/O and communications power supply	<input type="checkbox"/>
Baud rate auto-detection	<input type="checkbox"/>

Note: Refer to the DRT2 Series DeviceNet Slaves Operation Manual (Cat. No. 404) for details on each function. The operation time monitor function is supported when used together with an Input Expansion Unit.

Compatible with large-capacity output devices.

Maintenance capabilities enhanced by replaceable relays.

Slim power relays (5 mm width)

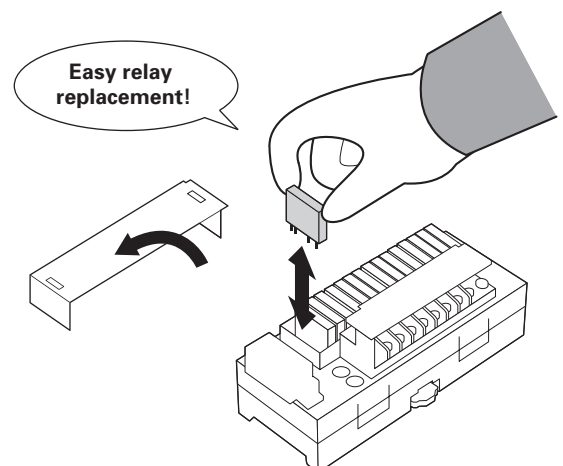
Life of Mounted Relays

Item	Life
Mechanical life	20 million operations min.
Electrical life	100,000 operations min.

Output Section Specifications (per Relay Contact)

Item	Specification
Mounted relay	DRTA-NY5W-K (5 VDC)
Rated load	Resistive load; 2 A at 250 VAC, 8 A per common; 2 A at 30 VDC, 8 A per common
Rated carry current	3 A (See note.)
Max. contact voltage	250 VAC, 125 VDC
Max. contact current	3 A
Max. switching capacity	750 VAC, 90 VDC
Min. applicable load (reference value)	5 VDC, 1 mA

Note: The rated carrying current is 3 A maximum per contact with 10 A per common. But then there may not be more than 4 contacts per common switch ON. The ambient temperature must be below 45°C.



**Innovation
in the Solution Age**

OMRON INDUSTRIAL AUTOMATION



Expansion Systems

Addition of Expansion Units

XWT-series Expansion I/O Units are easily added. This allows free expansion of contacts.

Separate wiring of I/O power supply to Expansion I/O Units is required. Note: Refer to the manual for details on the XWT Series.

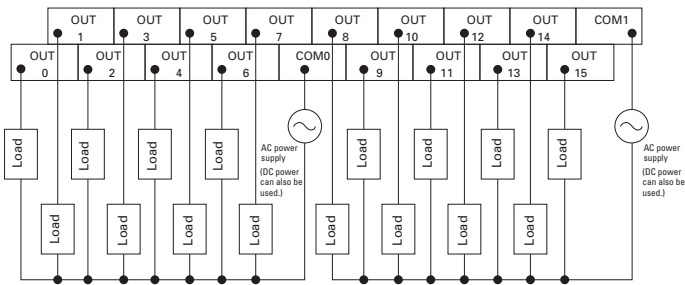
Common Specifications

Item	Specification
Communications power supply voltage	11 to 25 VDC (Supplied from the communications connector.)
Communications power current consumption	395 mA
Noise immunity	Conforms to IEC61000-4-4, 2 kV (power line)
Vibration resistance	10 to 55 Hz, 0.7-mm double amplitude
Shock resistance	100 m/s ²
Dielectric strength	500 VAC (between isolated circuits)
Insulation resistance	20 MΩ min.
Ambient operating temperature	-10 to 55°C
Ambient humidity	Operating: 25% to 85% (with no condensation)
Ambient environment	Must be free from corrosive gases.
Ambient storage temperature	-25 to 65°C
Mounting method	35-mm DIN Track mounting
Screw tightening torque	M2 (screws to secure communications connector): 0.26 to 0.3 N•m M3 (screw terminals): 0.3 to 0.5 N•m
Weight	260 g max.

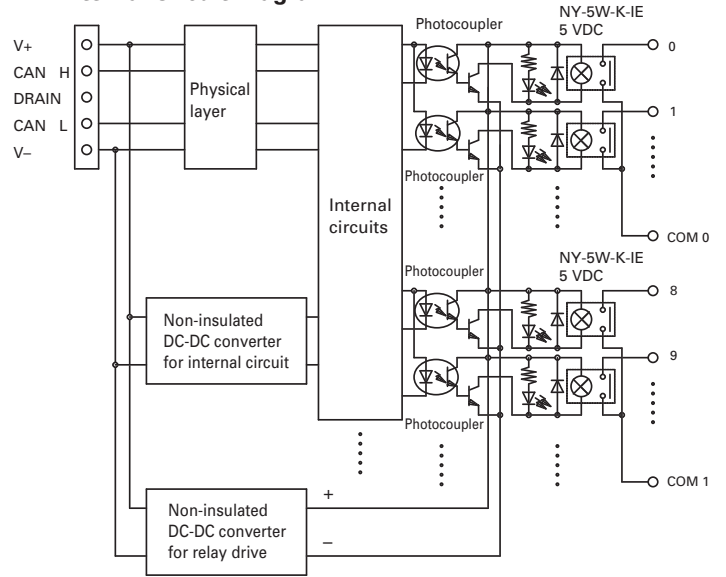
Standard Models

Model number
DRT2-ROS16

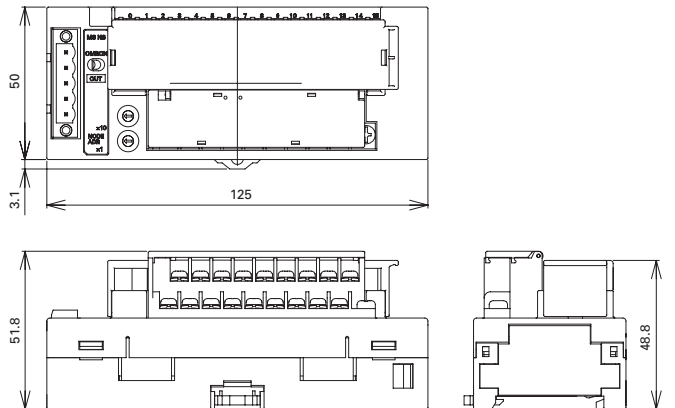
Wiring



Internal Circuit Diagram



Dimensions



Note: Do not use this document to operate the Unit.



OMRON INDUSTRIAL AUTOMATION • THE AMERICAS HEADQUARTERS

Schaumburg, IL USA • 847.843.7900 • 800.556.6766 • www.omron247.com

OMRON CANADA, INC. • HEAD OFFICE

Toronto, ON, Canada • 416.286.6465 • 866.986.6766 • www.omron247.com

OMRON ELECTRONICS DE MEXICO • HEAD OFFICE

México DF • 52.55.59.01.43.00 • 001.800.556.6766 • mela@omron.com

OMRON ELECTRONICS DE MEXICO • SALES OFFICE

Apodaca, N.L. • 52.81.11.56.99.20 • 001.800.556.6766 • mela@omron.com

OMRON ELETRÔNICA DO BRASIL LTDA • HEAD OFFICE

São Paulo, SP, Brasil • 55.11.2101.6300 • www.omron.com.br

OMRON ARGENTINA • SALES OFFICE

Cono Sur • 54.11.4783.5300

OMRON CHILE • SALES OFFICE

Santiago • 56.9.9917.3920

OTHER OMRON LATIN AMERICA SALES

54.11.4783.5300

OMRON EUROPE B.V. • Wegalaan 67-69, NL-2132 JD, Hoofddorp, The Netherlands. • Tel: +31 (0) 23 568 13 00

Fax: +31 (0) 23 568 13 88 • www.industrial.omron.eu