

Mitsubishi **General-Purpose** Programmable Controller Renewal Tool Conversion Adapter

Model

ERNT-AQTX11

User's Manual



Model	ERNT-AQTX11
50CM-D180059-A (1007)MEE	

 **MITSUBISHI ELECTRIC ENGINEERING COMPANY LIMITED**

HEAD OFFICE:NIHONJISHO-DAIICHI BLDG.1-13-5, KUDANKITA CHIYODA-KU, TOKYO 102-0073, JAPAN
NAGOYA ENGINEERING OFFICE:139 SHIMOYASHIKICHO-SHIMOYASHIKI, KASUGAI, AICHI 486-0906, JAPAN

● SAFETY PRECAUTIONS ●

(Always read these precautions prior to use.)

Before using this product, please read this manual carefully and pay full attention to safety to ensure that the product is used correctly.

The precautions presented in this manual are concerned with this product only. For Programmable Controller system safety precautions, refer to the user's manual of the MELSEC-Q series CPU module to be used.

In this manual, the safety precautions are ranked as "DANGER" and "CAUTION."




DANGER

Indicates that incorrect handling may cause hazardous conditions, resulting in death or severe injury.



CAUTION

Indicates that incorrect handling may cause hazardous conditions, resulting in medium or minor injury and/or property damage.

Note that failure to observe the  CAUTION level instructions may lead to a serious consequence according to the circumstances. Always follow the precautions of both levels because they are important to personal safety.

Please keep this manual in an easy-to-access location for future reference, and be sure to provide the manual to the end user.

Installation Precautions

CAUTION

- Use the conversion adapter and conversion adapter anchor base in an environment of the general specifications defined in the MELSEC-Q series CPU module user's manual. Failure to do so could lead to electric shock, fire, malfunction or product failure or deterioration.
- Do not come in direct contact with the conductive area of the conversion adapter. Doing so could lead to system malfunction or failure.
- Fully secure the conversion adapter and conversion adapter anchor base using the installation screws, and tighten the installation screws securely within the specified torque range. Failure to do so could cause the conversion adapter and anchor base to fall, resulting in conversion adapter and conversion adapter anchor base damage.
- When installing the conversion adapter, be careful of conversion adapter corners, installation screws, etc. Failure to do so may result in injury.

Wiring Precautions

DANGER

- Be sure to shut off all phases of the external power supply before performing installation or wiring work. Failure to do so could result in electric shock or product damage.
- If you want to energize and run the unit after completing the installation and wiring work, be sure to close the terminal block cover attached to the MELSEC-A series terminal block. Failure to do so could result in electric shock.

CAUTION

- Properly wire the conversion adapter after verifying the rated voltage and terminal layout of the input/output module to be used. Connecting a power supply with a different rating or improper wiring could lead to fire or product failure.
- Securely tighten the conversion adapter installation screws, conversion adapter anchor base installation screws and MELSEC-A series terminal block installation screws within the specified torque range. A loose screw may result in a short circuit, fire or malfunction. An excessively tightened screw may result in screw or conversion adapter damage, causing the conversion adapter to fall, a short circuit or product malfunction.
- Do not allow foreign matter such as cuttings or wiring shavings to enter the conversion adapter or module. Doing so could lead to fire, failure or malfunction.

Startup and Maintenance Precautions



DANGER

- Do not touch the terminals during energization. Doing so could result in electric shock or malfunction.
- Be sure to shut off all phases of the external power supply before cleaning and retightening the terminal screws. Failure to do so could lead to electric shock. Excessively tightened screws could result in conversion adapter or input/output module damage, causing the conversion adapter to fall, a short circuit or product malfunction.



CAUTION

- Do not disassemble or modify the conversion adapter. Doing so could lead to failure, malfunction, injury or fire.
- The conversion adapter case is made of resin. Do not drop or apply excessive impact to the case. Doing so could lead to conversion adapter damage.
- Be careful when touching conversion adapter corners and installation screws. Failure to do so may result in injury.

Disposal Precautions



DANGER

- When disposing of the product, treat it as industrial waste.

Related Manuals

Manual Title	Manual No. (Model Code)	Remarks
MELSEC-Q Series Building Block I/O Module User's Manual	SH-080042 (13JL99)	By Mitsubishi Electric Corporation

EMC AND LOW VOLTAGE DIRECTIVES

Compliance to the EMC Directive, which is one of the EU Directives, has been a legal obligation for the products sold in European countries since 1996 as well as the Low Voltage Directive since 1997.

Manufacturers who recognize their products are compliant to the EMC and Low Voltage Directives are required to declare that print a "CE mark" on their products.

Authorized representative in Europe

Authorized representative in Europe is shown below.

Name: Mitsubishi Electric Europe B.V. (EMC C.C. Division)

Address: Gothaer strasse 8, 40880 Ratingen, Germany

1. Overview

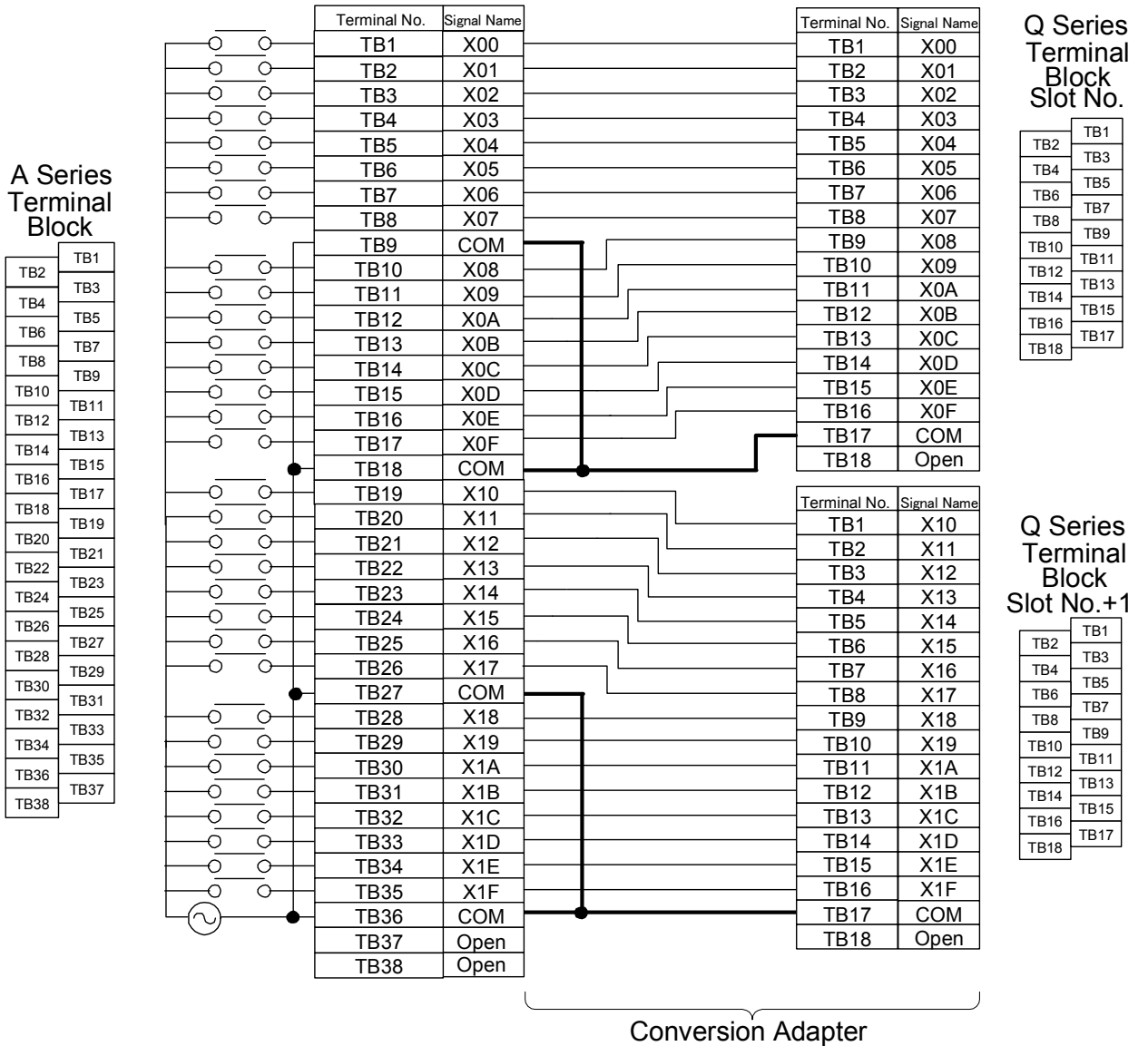
This manual describes the Mitsubishi general-purpose Programmable Controller renewal tool conversion adapter (ERNT-AQTX11) and the conversion adapter anchor base (sold separately; ERNT-AQF12/-AQF8/-AQF5/-AQF3) that secures the bottom of the conversion adapter. The conversion adapter is a product that converts the differences in MELSEC-A series and MELSEC-Q series pin assignments.

Once you have opened the packaging, verify that it contains the following products.

Product	Quantity
Conversion adapter	1
Mounting bracket	1
Mounting bracket fixing screw (M3.5 x 6)	4

2. Conversion Adapter Product Specifications

Conversion Adapter Model	A Series Module Model	Q Series Module Model	No. of modules	Conversion Adapter Weight (g)
	ERNT-AQTX11	AX11 AX11EU		



<Input Module Specification Comparison Chart>

Model Specifications		MELSEC-A Series		MELSEC-Q Series
		AX11	AX11EU	QX10
No. of input points		32 points	32 points	16 points
Isolation method		Photocoupler isolation	Photocoupler isolation	Photocoupler isolation
Rated input voltage		100 to 120V AC 50/60 Hz	100 to 120V AC 50/60 Hz	100 to 120V AC (+10/-15%) 50/60 Hz (± 3 Hz)
Rated input current		10 mA (100V AC, 60 Hz)	12 mA (120V AC, 60 Hz)	Approx. 8 mA (100V AC, 60 Hz) Approx. 7 mA (100V AC, 50 Hz)
Inrush current		300mA maximum, within 0.3ms (at 132V AC)	300mA maximum, within 1ms (at 132V AC)	200mA maximum, within 1ms (at 132V AC)
ON voltage / ON current		80V AC or higher / 6mA or higher	79V AC or higher / 6mA or higher	80V AC or higher / 5mA or higher (50Hz, 60Hz)
OFF voltage / OFF current		40V AC or less / 4mA or less	40V AC or less / 4mA or less	30V AC or less / 1.7mA or less (50Hz, 60Hz)
Input impedance		Approx. 10k Ω (60Hz) Approx. 12k Ω (50Hz)	Approx. 10k Ω (60Hz) Approx. 12k Ω (50Hz)	Approx. 12k Ω (60Hz) Approx. 15k Ω (50Hz)
Response time	OFF to ON	15 ms or less	15 ms or less (100V AC, 60Hz)	15 ms or less (100V AC, 60Hz)
	ON to OFF	25 ms or less	25 ms or less (100V AC, 60Hz)	20 ms or less (100V AC, 60Hz)
Internal current consumption		110 mA (TYP. All points ON)	150 mA (TYP. All points ON)	50 mA (TYP. All points ON)
Wiring method for common		32-points, 1 common	32-points, 1 common	16-points, 1 common
External connection system		38-point terminal block	38-point terminal block	18-point terminal block

Note 1. For detailed specifications not stated in the Input Module Specification Comparison Chart and for general specifications, refer to the user's manual of the input module to be used. Those areas with specifications that are different for the MELSEC-A series and MELSEC-Q series are subject to specification restrictions upon replacement. Check the specifications of the connection device.

3. Products Required by the Conversion Adapter

(1) Conversion Adapter Anchor Base (Sold Separately)

The conversion adapter anchor base secures the bottom of the conversion adapter and is required for conversion adapter use. One anchor base is required per base.

Conversion Adapter Anchor Base Model	Specifications	
	Type	Weight (g)
ERNT-AQF12	12-slot conversion adapter anchor base	590
ERNT-AQF8	8-slot conversion adapter anchor base	410
ERNT-AQF5	5-slot conversion adapter anchor base	275
ERNT-AQF3	3-slot conversion adapter anchor base	185

(2) Base Adapter (Sold Separately)

The base adapter enables MELSEC-Q series installation using the installation holes of the MELSEC-A series base unit. (Additional hole machining not required)

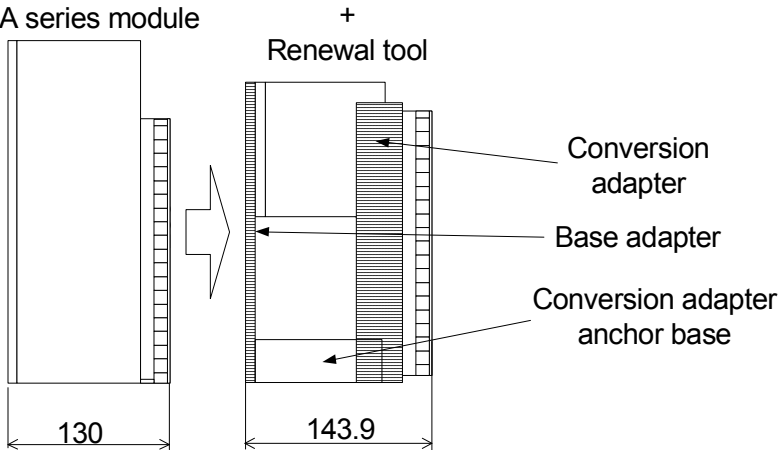
Base Adapter Model	Specifications			
	MELSEC-A Series Compliant Module	MELSEC-Q Series Compliant Module	Installable Conversion Adapter Anchor Base	Weight (g)
ERNT-AQB38	A38B	Q312B	ERNT-AQF12 ERNT-AQF8	970
	A38HB	Q38B		
ERNT-AQB68	A68B	Q612B Q68B		930
ERNT-AQB58	A58B	Q68B	ERNT-AQF8	870
ERNT-AQB35	A35B	Q38B	ERNT-AQF8 ERNT-AQF5	795
		Q35B		790
ERNT-AQB65	A65B	Q68B		
		Q65B Q55B		
ERNT-AQB55	A55B	Q65B Q55B	ERNT-AQF5	655
ERNT-AQB32	A32B	Q33B	ERNT-AQF3	675
ERNT-AQB62	A62B	Q63B		650
		Q52B		
ERNT-AQB52	A52B	Q52B		505

4. Mounting and Installation

4.1 Handling Precautions

- (1) Do not touch the terminals during energization. Doing so could result in electric shock or malfunction.
- (2) Do not disassemble or modify the conversion adapter. Doing so could result in failure, malfunction, injury or fire.
- (3) Do not come in direct contact with the conductive area of the conversion adapter. Doing so could result in system malfunction or failure.
- (4) Fully secure the conversion adapter and conversion adapter anchor base using the installation screws, and securely tighten the screws within the specified torque range. Failure to do so could cause the conversion adapter and anchor base to fall, resulting in conversion adapter and conversion adapter anchor base damage.

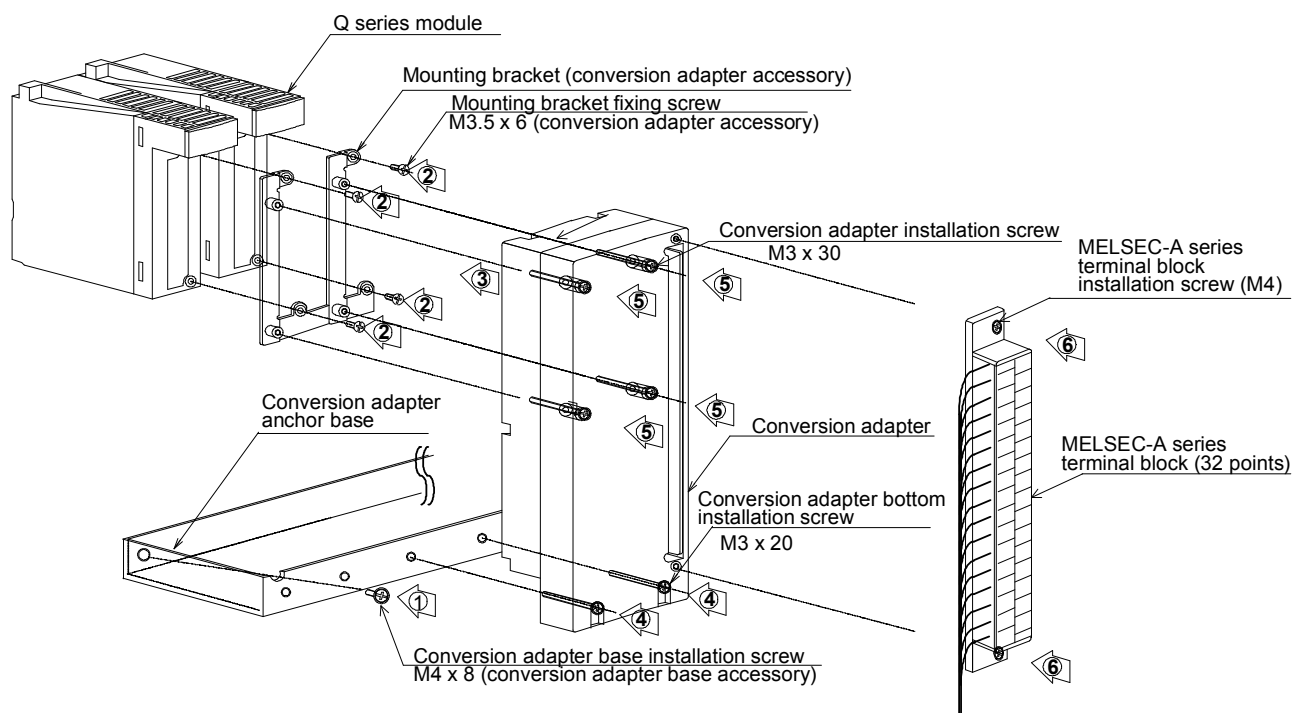
4.2 Use Precautions

Item	Use Precautions
Depth	<p>The depth increases. Verification prior to installation is required.</p> <p style="text-align: center;">Q series module +</p> <p style="text-align: center;">Renewal tool</p>  <p style="text-align: center;">13.9mmUP(2.1mm)</p> <p>The value in parentheses is the dimension when the base adapter is not used.</p>

4.3 Installation Environment

For details of the installation environment, refer to the user's manual of the MELSEC-Q series CPU module to be used.

5. Part Names and Installation Method



5.1 Installation Method

- [1] Secure the conversion adapter anchor base to the base adapter or control panel using the conversion adapter anchor base installation screws ($M4 \times 8$) provided as an accessory. (Two end locations)
- [2] Secure the mounting bracket to the Q series module using the mounting bracket fixing screws [$M3.5 \times 6$ (conversion adapter accessory); two upper/lower locations].
- [3] Mount the conversion adapter onto the mounting bracket.
- [4] Secure the conversion adapter using the conversion adapter bottom installation screw ($M3 \times 20$; 2 location).
- [5] Secure the conversion adapter using the conversion adapter installation screws ($M3 \times 30$; 4 locations).
- [6] Secure the MELSEC-A series terminal block to the conversion adapter using the terminal block installation screws ($M4$; two upper/lower locations).

5.2 Tightening Torque

Tighten the module installation screws to the specified torque below. An inappropriate tightening torque could cause the product to fall or result in a short circuit, product failure or malfunction.

Screw Location	Tightening Torque Range
Conversion adapter anchor base installation screw ($M4$ screw)	139 to 189 N·cm
Mounting bracket fixing screw ($M3.5$ screw)	68 to 92 N·cm
Conversion adapter bottom installation screw ($M3$ screw)	43 to 57 N·cm
Conversion adapter installation screw ($M3$ screw)	
MELSEC-A series terminal block installation screw ($M4$ screw)	102 to 138 N·cm

6. Conversion Adapter Anchor Base Installation Method

To use the conversion adapter, a conversion adapter anchor base (ERNT-AQF12/-AQF8/-AQF5/-AQF3) is required.

Q Base Unit Conversion Adapter Anchor Base	Q312B	Q38B	Q35B	Q33B	Q612B	Q68B	Q65B	Q63B	Q55B	Q52B
ERNT-AQF12	◎	×	×	×	◎	×	×	×	×	×
ERNT-AQF8	○	◎	×	×	○	◎	×	×	×	×
ERNT-AQF5	×	○	◎	×	×	○	◎	×	◎	×
ERNT-AQF3	×	×	×	◎	×	×	×	◎	×	◎

◎: Applicable

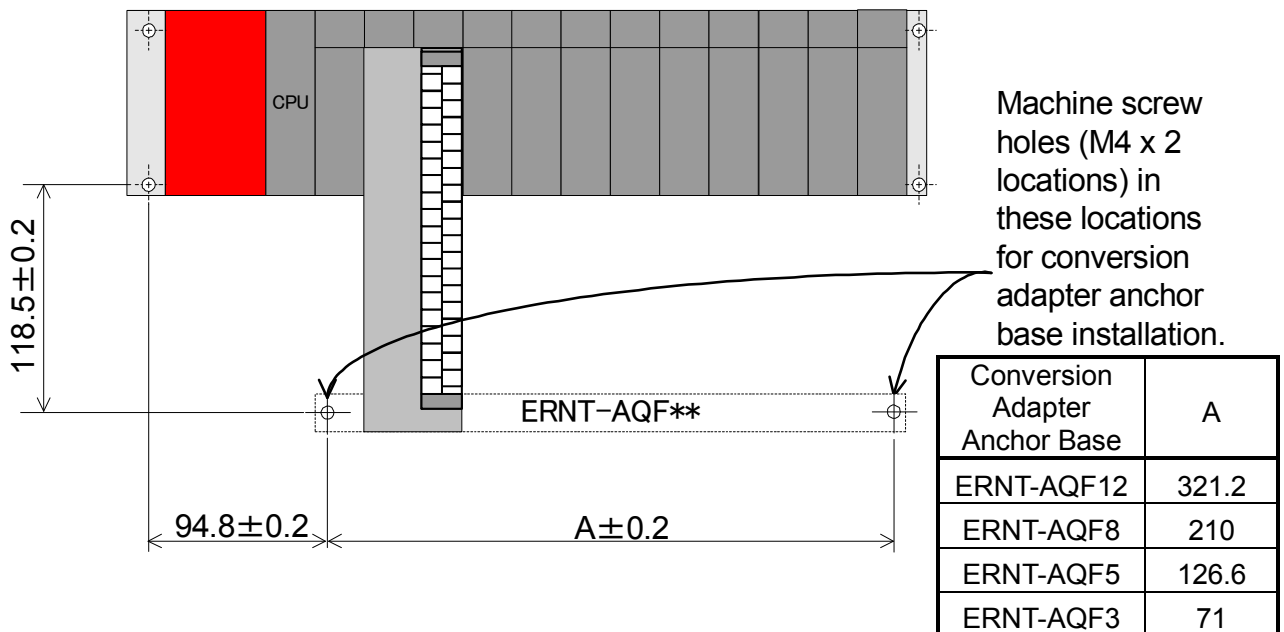
○: Applicable (with some restrictions*¹)

×: Not applicable

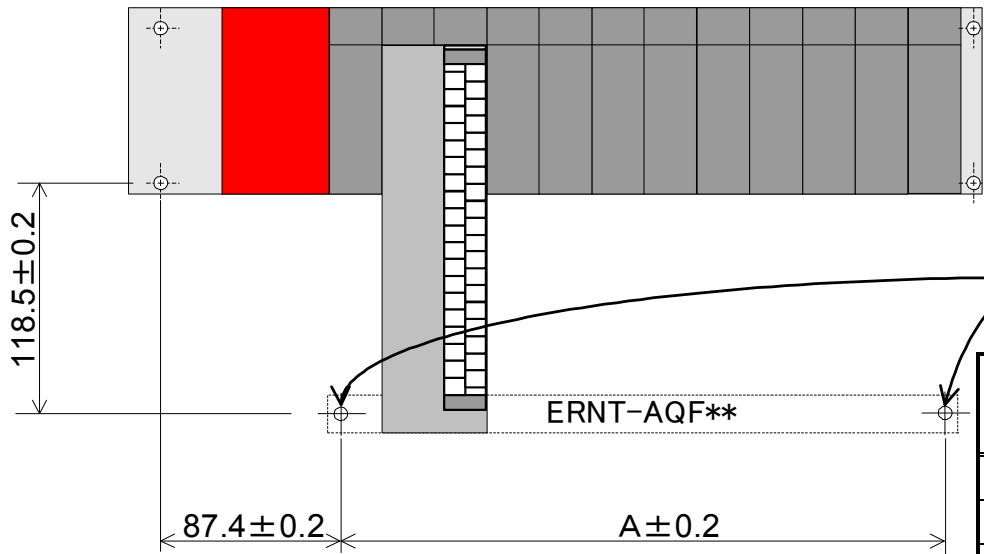
*1: There are certain slots in which the conversion adapter cannot be installed. For example, the conversion adapter cannot be installed in Slots 8 to 11 (4 slots) of the Q base unit when Q312B (Q base unit) is used with ERNT-AQF8 (conversion adapter anchor base).

The machining of screw holes (M4 × 2 locations) used to install the conversion adapter anchor base, such as described below, is required when a base adapter (sold separately) is not used.

(1) With Main Base Unit Q312B, Q38B, Q35B or Q33B



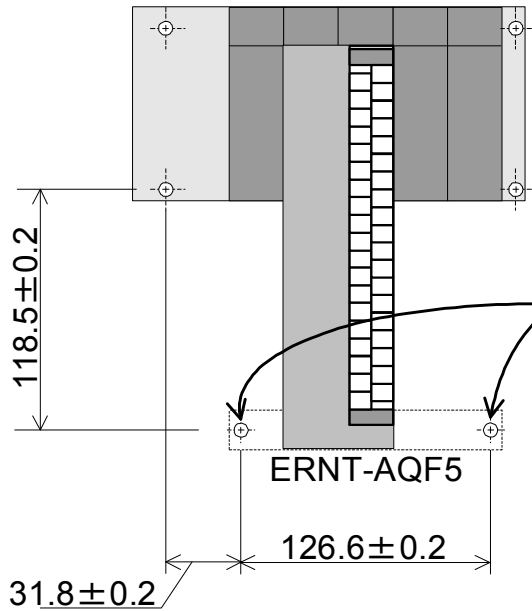
(2) With Extension Base Unit Q612B, Q68B Q65B or Q63B



Machine screw holes (M4 x 2 locations) in these locations for conversion adapter anchor base installation.

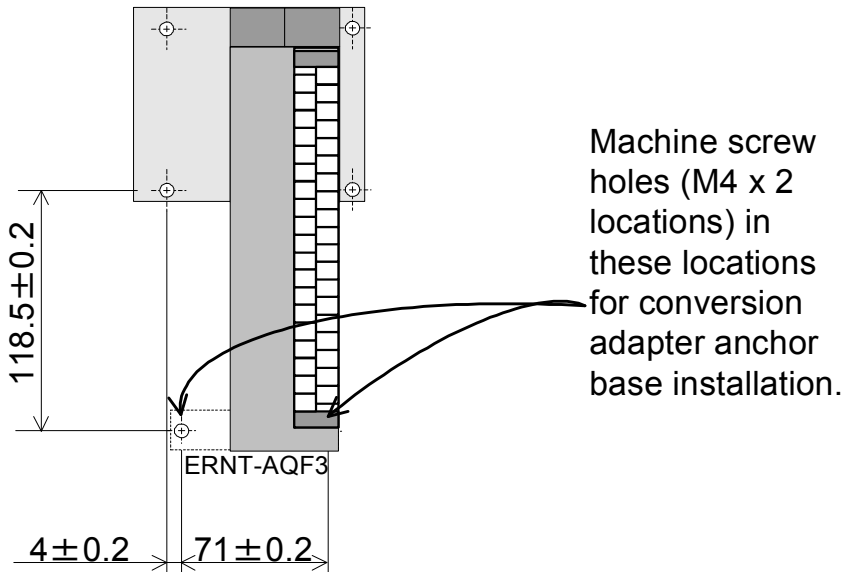
Conversion Adapter Anchor Base	A
ERNT-AQF12	321.2
ERNT-AQF8	210
ERNT-AQF5	126.6
ERNT-AQF3	71

(3) With Extension Base Unit Q55B



Machine screw holes (M4 x 2 locations) in these locations for conversion adapter anchor base installation.

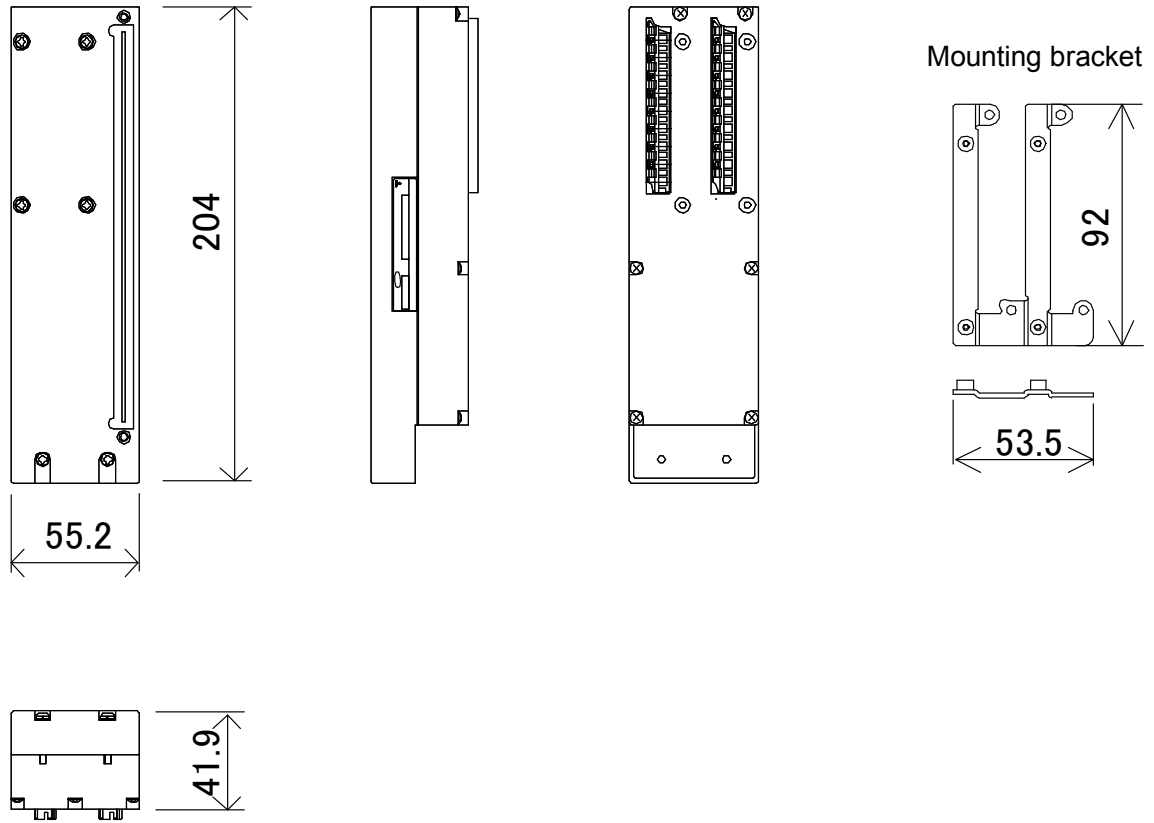
(4) With Extension Base Unit Q52B



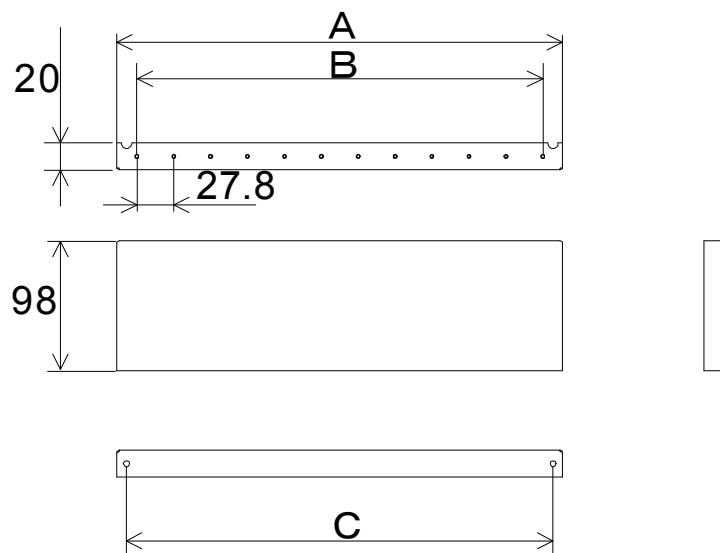
Tips	Use of a base adapter (sold separately) eliminates the need for additional screw hole machining on the control panel. (A base adapter is a product that enables MELSEC-Q series installation using the MELSEC-A series installation holes.)
------	---

7. External Dimensions

7.1 Conversion Adapter



7.2 Conversion Adapter Anchor Base



Model	A	B	C
ERNT-AQF12	335.8	305.8	321.2
ERNT-AQF8	224.6	194.6	210
ERNT-AQF5	141.2	111.2	126.6
ERNT-AQF3	85.6	55.6	71

Product Warranty Details

Please confirm the following product warranty details prior to product use.

Gratis Warranty Terms and Gratis Warranty Range

If any fault or defect (hereinafter referred to as "Failure") attributable to Mitsubishi Electric Engineering Company Limited (hereinafter referred to as "MEE") should occur within the gratis warranty period, MEE shall repair the product free of charge via the distributor from whom you made your purchase.

■ Gratis Warranty Period

The gratis warranty period of this product shall be one (1) year from the date of purchase or delivery to the designated place.

Note that after manufacture and shipment from MEE, the maximum distribution period shall be six (6) months, and the gratis warranty period after manufacturing shall be limited to eighteen (18) months.

In addition, the gratis warranty period for repaired products shall not exceed the gratis warranty period established prior to repair.

■ Gratis Warranty Range

The gratis warranty range shall be limited to normal use based on the usage conditions, methods and environment, etc., defined by the terms and precautions, etc., given in the instruction manual, user's manual and caution labels on the product.

Warranty Period after Discontinuation of Production

- (1) MEE shall offer product repair services (fee applied) for seven (7) years after production of the product has been discontinued. Discontinuation of production shall be reported via distributors.
- (2) Product supply (including spare parts) is not possible after production has been discontinued.

Exclusion of Opportunity Loss and Secondary Loss from Warranty Liability

Regardless of the gratis warranty period, MEE shall not be liable for compensation for damages arising from causes not attributable to MEE, opportunity losses or lost profits incurred by the user due to Failures of MEE products, damages or secondary damages arising from special circumstances, whether foreseen or unforeseen by MEE, compensation for accidents, compensation for damages to products other than MEE products, or compensation for other work carried out by the user.

Changes in Product Specifications

The specifications given in the catalogs, manuals and technical documents are subject to change without notice.

This document is a new publication, effective July 2010. Specifications are subject to change without notice. The standard price does not include consumption tax. Please note that consumption tax will be added at the time of purchase. This manual was printed on recycled paper.

Developed July 2010

50CM-D180059-A

HEADQUARTERS		EUROPEAN REPRESENTATIVES		EUROPEAN REPRESENTATIVES		EURASIAN REPRESENTATIVES	
Mitsubishi Electric Europe B.V. Gothaer Straße 8 D-40880 Ratingen Phone: +49 (0)2102 / 486-0 Fax: +49 (0)2102 / 486-1120	EUROPE	GEVA Wiener Straße 89 A-2500 Baden Phone: +43 (0)2252 / 85 55 20 Fax: +43 (0)2252 / 488 60	AUSTRIA	Beijer Electronics SIA Ritausmas iela 23 LV-1058 Riga Phone: +371 (0)6 / 784 2280 Fax: +371 (0)6 / 784 2281	LATVIA	TOO Kazpromavtomatika UL. ZHAMBYLA 28, KAZ-100017 Karaganda Phone: +7 7212 / 50 10 00 Fax: +7 7212 / 50 11 50	KAZAKHSTAN
Mitsubishi Electric Europe B.V. Radlická 751/113e Avenir Business Park CZ-158 00 Praha 5 Phone: +420 251 551 470 Fax: +420 251 551 471	CZECH REP.	000 TECHNIKON Prospect Nezavisimosti 177-9 BY-220125 Minsk Phone: +375 (0)17 / 393 1177 Fax: +375 (0)17 / 393 0081	BELARUS	Beijer Electronics UAB Goštautų g. 3 LT-48324 Kaunas Phone: +370 37 262707 Fax: +370 37 455605	LITHUANIA	MIDDLE EAST REPRESENTATIVE	
Mitsubishi Electric Europe B.V. 25, Boulevard des Bouvets F-92741 Nanterre Cedex Phone: +33 (0)1 / 55 68 55 68 Fax: +33 (0)1 / 55 68 57 57	FRANCE	ESCO DRIVES Culliganlaan 3 BE-1831 Diegem Phone: +32 (0)2 / 717 64 60 Fax: +32 (0)2 / 717 64 61	BELGIUM	ALFATRADE Ltd. 99, Paola Hill Malta-Paola PLA 1702 Phone: +356 (0)21 / 697 816 Fax: +356 (0)21 / 697 817	MALTA	I.C. SYSTEMS Ltd. 23 Al-Saad-Al-Alee St. EG-Sarayut, Maadi, Cairo Phone: +20 (0) 2 / 235 98 548 Fax: +20 (0) 2 / 235 96 625	EGYPT
Mitsubishi Electric Europe B.V. Westgate Business Park, Ballymount IRL-Dublin 24 Phone: +353 (0)1 4198800 Fax: +353 (0)1 4198890	IRELAND	KONING & HARTMAN B.V. Woluwelaan 31 BE-1800 Vilvoorde Phone: +32 (0)2 / 257 02 40 Fax: +32 (0)2 / 257 02 49	BELGIUM	INTEHSIS SRL bld. Traian 23/1 MD-2060 Kishinev Phone: +373 (0)22 / 66 4242 Fax: +373 (0)22 / 66 4280	MOLDOVA	GIRIT CELADON Ltd. 12 Haomanar Street IS-42505 Netanya Phone: +972 (0)9 / 863 39 80 Fax: +972 (0)9 / 885 24 30	ISRAEL
Mitsubishi Electric Europe B.V. Viale Colleoni 7 Palazzo Sirio I-20864 Agrate Brianza (MB) Phone: +39 039 / 60 53 1 Fax: +39 039 / 60 53 312	ITALY	INEA RBT d.o.o. Stegne 11 SI-1000 Ljubljana Phone: +386 (0)1 / 513 8116 Fax: +386 (0)1 / 513 8170	BOSNIA AND HERZEGOVINA	HIFLEX AUTOM. B.V. Wolweverstraat 22 NL-2984 CD Ridderkerk Phone: +31 (0)180 / 46 60 04 Fax: +31 (0)180 / 44 23 55	NETHERLANDS	ILAN & GAVISH Ltd. 24 Shenkar St., Kiryat Ariet IL-49001 Petah-Tikva Phone: +972 (0)3 / 922 18 24 Fax: +972 (0)3 / 924 0761	ISRAEL
Mitsubishi Electric Europe B.V. Nijverheidsweg 23a NL-3641RP Mijdrecht Phone: +31 (0) 297250350	NETHERLANDS	AKHNATON 4, Andrei Ljapchev Blvd., PO Box 21 BG-1756 Sofia Phone: +359 (0)2 / 817 6000 Fax: +359 (0)2 / 97 44 06 1	BULGARIA	KONING & HARTMAN B.V. Energieweg 1 NL-2627 AP Delft Phone: +31 (0)15 260 99 06 Fax: +31 (0)15 261 9194	NETHERLANDS	CEG LIBAN Cebaco Center/Block A Autostrade DORA Lebanon-Beirut Phone: +961 (0)1 / 240 445 Fax: +961 (0)1 / 240 193	LEBANON
Mitsubishi Electric Europe B.V. ul. Krakowska 50 PL-32-083 Balice Phone: +48 (0) 12 630 47 00 Fax: +48 (0) 12 630 47 01	POLAND	INEA CR Losinjska 4 a HR-10000 Zagreb Phone: +385 (0)1 / 36 940 - 01/ -02/ -03 Fax: +385 (0)1 / 36 940 - 03	CROATIA	Beijer Electronics AS Postboks 487 NO-3002 Drammen Phone: +47 (0)32 / 24 30 00 Fax: +47 (0)32 / 84 85 77	NORWAY	AFRICAN REPRESENTATIVE	
Mitsubishi Electric Europe B.V. 52, bld. 3 Kosmodamianskaya nab 8 floor RU-115054 Moscow Phone: +7 495 / 721 2070 Fax: +7 495 / 721 2071	RUSSIA	AutoCont C. S. S.R.O. Kačkova 1853/3 CZ-702 00 Ostrava 2 Phone: +420 595 691 150 Fax: +420 595 691 199	CZECH REPUBLIC	Fonseca S.A. R. João Francisco do Casal 87/89 PT-3801-997 Aveiro, Esqueira Phone: +351 (0)234 / 303 900 Fax: +351 (0)234 / 303 910	PORTUGAL	ADROIT TECHNOLOGIES 20 Waterford Office Park 189 Witkoppen Road ZA-Fourways Phone: +27 (0)11 / 658 8100 Fax: +27 (0)11 / 658 8101	SOUTH AFRICA
Mitsubishi Electric Europe B.V. Carretera de Rubi 76-80 Apdo. 420 E-08190 Sant Cugat del Vallés (Barcelona) Phone: +34 (0) 93 / 5653131 Fax: +34 (0) 93 / 5891579	SPAIN	HANS FÖLSGAARD A/S Theilgaardstr. 1 DK-4600 Køge Phone: +45 4320 8600 Fax: +45 (0)46 / 75 56 26	DENMARK	SIRIUS TRADING & SERVICES SRL Aleea Lacul Morii Nr. 3 RO-060841 Bucuresti, Sector 6 Phone: +40 (0)21 / 430 40 06 Fax: +40 (0)21 / 430 40 02	ROMANIA		
Mitsubishi Electric Europe B.V. (Scandinavia) Fjellievägen 8 SE-22736 Lund Phone: +46 (0) 8 625 10 00 Fax: +46 (0) 46 39 70 18	SWEDEN	HANS FÖLSGAARD A/S Theilgaardstr. 1 DK-4600 Køge Phone: +45 4320 8600 Fax: +45 (0)46 / 75 56 26	DENMARK	INEA SR d.o.o. Ul. Karadjordjeva 12/217 SER-11300 Smederevo Phone: +386 (026) 461 54 01	SERBIA		
Mitsubishi Electric Turkey Elektrik Ürünleri A.Ş. Fabrika Otomasyon Merkezi Şerifali Mahallesi Nutuk Sokak No.5 TR-34775 Ümraniye-İSTANBUL Phone: +90 (0)216 / 526 39 90 Fax: +90 (0)216 / 526 39 95	TURKEY	Beijer Electronics A/S Lykkegardsvej 17 DK-4000 Roskilde Phone: +45 (0)46 / 75 76 66 Fax: +45 (0)46 / 75 56 26	DENMARK	SIMAP SK (Západné Slovensko) Jána Derku 1671 SK-911 01 Trenčín Phone: +421 (0)32 743 04 72 Fax: +421 (0)32 743 75 20	SLOVAKIA		
Mitsubishi Electric Europe B.V. Travellers Lane UK-Hatfield, Herts. AL10 8XB Phone: +44 (0)1707 / 28 87 80 Fax: +44 (0)1707 / 27 86 95	UK	Beijer Electronics OY Vanha Nurmijärventie 62 FIN-01670 Vantaa Phone: +358 (0)207 / 463 500 Fax: +358 (0)207 / 463 501	FINLAND	INEA RBT d.o.o. Stegne 11 SI-1000 Ljubljana Phone: +386 (0)1 / 513 8116 Fax: +386 (0)1 / 513 8170	SLOVENIA		
Mitsubishi Electric Europe B.V. Dubai Silicon Oasis United Arab Emirates - Dubai Phone: +971 4 3724716 Fax: +971 4 3724721	UAE	PROVENDOR OY Teljänkatu 8 A3 FIN-28130 Pori Phone: +358 (0) 2 / 522 3300 Fax: +358 (0) 2 / 522 3322	FINLAND	Beijer Electronics Automation AB Box 426 SE-20124 Malmö Phone: +46 (0)40 / 35 86 00 Fax: +46 (0)40 / 93 23 01	SWEDEN		
Mitsubishi Electric Corporation Tokyo Building 2-7-3 Marunouchi, Chiyoda-ku Tokyo 100-8310 Phone: +81 (3) 3218-2111 Fax: +81 (3) 3218-2185	JAPAN	UTECO A.B.E.E. 5, Mavrogenou Str. GR-18542 Piraeus Phone: +30 (0)211 / 1206-900 Fax: +30 (0)211 / 1206-999	GREECE	OMNI RAY AG Im Schörl 5 CH-8600 Dübendorf Phone: +41 (0)44 / 802 28 80 Fax: +41 (0)44 / 802 28 28	SWITZERLAND		
Mitsubishi Electric Automation, Inc. 500 Corporate Woods Parkway Vernon Hills, IL 60061 Phone: +1 (847) 478-2100 Fax: +1 (847) 478-0328	USA	MELTRADE Kft. Fertő utca 14. HU-1107 Budapest Phone: +36 (0)1 / 431-9726 Fax: +36 (0)1 / 431-9727	HUNGARY	OOO "CSC-AUTOMATION" 4-B, M. Raskovoy St. UA-02660 Kiev Phone: +380 (0)44 / 494 33 44 Fax: +380 (0)44 / 494-33-66	UKRAINE		