

mitsubishi

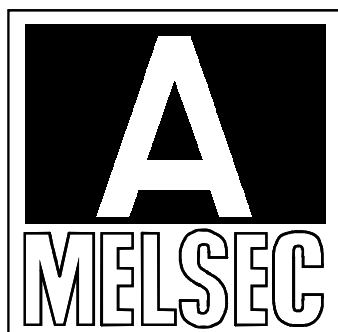
Analog-Digital Converter Module

User's Manual
(Hardware)

AJ65VBTCU-68ADV/ADI

Thank you for buying the Mitsubishi general-purpose programmable logic controller MELSEC Series

Prior to use, please read both this manual and detailed manual thoroughly and familiarize yourself with the product.



MODEL	AJ65V-68AD-U-HW
MODEL CODE	13JT62
IB(NA)-0800200-B(0110)MEE	

● SAFETY PRECAUTIONS ●

(Always read before starting use)

When using this equipment, thoroughly read this manual. Also pay careful attention to safety and handle the module properly.

These precautions apply only to this equipment.

Refer to the user's manual of the CPU module to use for a description of the PLC system safety precautions.

These "Safety Precautions" classify the safety precautions into two categories: "DANGER" and "CAUTION".




DANGER

Procedures which may lead to a dangerous condition and cause death or serious injury, if not carried out properly.



CAUTION

Procedures which may lead to a dangerous condition and cause superficial to medium injury, or physical damage only, if not carried out properly.

Depending on circumstances, procedures indicated by  **CAUTION** may also be linked to serious results.

In any case, it is important to follow the directions for usage.

Store this manual in a safe place so that you can take it out and read it whenever necessary. Always forward it to the end user.

[DESIGN PRECAUTIONS]

DANGER

- When there are communication problems with the data link, the data for the master module will be held.
Configure an interlocking circuit in a sequence program so that the safety of the overall system is always maintained.

CAUTION

- Do not bunch the control wires or communication cables with the main circuit or power wires, or install them close to each other.
They should be installed 100mm (3.9inch) or more from each other.
Not doing so could result in noise that would cause erroneous operation.

[INSTALLATION PRECAUTIONS]

CAUTION

- Use each module in an environment as specified in the “general specification” in the detailed manual.
Using the PLC outside the range of the general specifications may result in electric shock, fire or malfunction, or may damage or degrade the module.
- Securely fix the module to a DIN rail or securely fix it with the CC-Link connector type fitting.
Not doing so can cause a drop or malfunction.
- Do not touch the conducted area or electric parts of the module.
Doing so may cause module malfunctioning or breakdowns.

[WIRING PRECAUTIONS]

CAUTION

- Always switch power off externally in all phases before starting installation, wiring and other works.
Not doing so can cause the product to be damaged or malfunction.
- Always ground the FG pin and FG1 pin to the protective ground conductor.
Not doing so can cause a malfunction.
- Wire the module correctly after confirming the rated voltage and pin layout of the product.
Not doing so can cause a fire or failure.
- Do not insert the one-touch connector plug for I/O of the one-touch connector type/connector type compact remote I/O unit into the one-touch connector for analog I/O accidentally.
Doing so can cause the module to be damaged.
- Ensure that no foreign matter such as chips and wire-offcuts enter the module.
Foreign matter can cause a fire, failure or malfunction.
- Always fit a non-wired, one-touch connector plug to the open one-touch connector for power supply/FG.
Not doing so can cause a failure or malfunction.
- When connecting the communication and power supply cables to the module, always run them in conduits or clamp them.
Not doing so can damage the module and cables due to loose, moved or accidentally pulled cables or can cause a malfunction due to a cable connection fault.
- When disconnecting the communication and power supply cables from the module, do not hold and pull the cable part.
Disconnect the cables after loosening the screws in the portions connected to the module. Pulling the cables connected to the module can damage the module and cables or can cause a malfunction due to a cable connection fault.

[STARTING AND MAINTENANCE PRECAUTIONS]

CAUTION

- Do not touch the pin while the power is on. Doing so may cause malfunction.
- Always start cleaning after switching power off externally in all phases. Not doing so can cause the module to fail or malfunction.
- Never disassemble or modify the module. This may cause breakdowns, malfunctioning, injury and/or fire.
- Do not drop the module or give it hard impact since its case is made of resin. Doing so can damage the module.
- Mount or dismount the module to or from an enclosure after switching power off externally in all phases. Not doing so can cause the module to fail or malfunction.

[DISPOSAL PRECAUTIONS]

CAUTION

- When disposing of this product, treat it as industrial waste.

Revisions

* The manual number is noted at the lower left of the back cover.

Print Date	*Manual Number	Revision
May,2001	IB(NA)-0800200-A	First printing
Oct.,2001	IB(NA)-0800200-B	<div style="border: 1px solid black; display: inline-block; padding: 2px;">Correction</div> Section 2.1, Chapter 8

This manual confers no industrial property rights or any rights of any other kind, nor does it confer any patent licenses. Mitsubishi electric Corporation cannot be held responsible for any problems involving industrial property rights which may occur as a result of using the contents noted in this manual.

© 2001 MITSUBISHI ELECTRIC CORPORATION

CONTENTS

1. Overview	1
2. Specification	1
2.1 Performance specifications	1
3. Names and setting of parts	3
4. Loading and Installation	6
4.1 Precautions when handling	6
4.2 Installation environment	6
5. Data link cable wiring	7
5.1 Instructions for handling the CC-Link dedicated cables.....	7
5.2 Connection of the CC-Link dedicated cables	7
6. Wiring	8
6.1 Wiring precautions	8
6.2 Module connection example.....	9
7. How to Wire the One-Touch Connector Plug.....	10
8. External dimension diagram	12

About the Manuals

The following manuals are also related to this product.
Order them if necessary.

Detailed Manual

Manual name	Manual No. (Model code)
Analog-Digital Converter Module type AJ65VBTCU-68ADV/ADI User's Manual	SH-080181 (13JR41)

Related Manual

Manual name	Manual No. (Model code)
Control & Communication Link System Master/Local Module type AJ61BT11/A1SJ61BT11 User's Manual	IB-66721 (13J872)
Control & Communication Link System Master/Local Module type AJ61QBT11/A1SJ61QBT11 User's Manual	IB-66722 (13J873)
Control & Communication Link System Master/Local Module type QJ61BT11 User's Manual	SH-080016 (13JL91)

Conformation to the EMC Directive and Low Voltage Instruction

When complying with EMC Directives and Low-Voltage Directives by assembling a Mitsubishi PLC compatible with EMC Directive and Low-Voltage Directives into the user product, refer to Chapter 3 "EMC Directives and Low-Voltage Directives" in the User's Manual (Hardware Section) for the CPU module being used. The CE logo is printed on the rating plate on the main body of the PLC that conforms to the EMC directive and low voltage instruction.

To conform this product to the EMC Directive and Low Voltage Directive, refer to the Section of "CC-Link Modules" in Chapter 3 "EMC Directive and Low Voltage Directive" of the User's Manual (Hardware) of the CPU module used.

1. Overview

This user's manual explains the specifications, names and setting of parts, wiring and others of Type AJ65VBTCU-68ADV analog-digital converter module (hereafter abbreviated to the "AJ65VBTCU-68ADV"), Type AJ65VBTCU-68ADI analog-digital converter module (hereafter abbreviated to the "AJ65VBTCU-68ADI") which is used as a remote device station of a Control & Communication Link (hereafter abbreviated to "CC-Link") system.

In this manual, the AJ65VBTCU-68ADV and AJ65VBTCU-68ADI are generically referred to as the AJ65VBTCU-68ADV/ADI.

Confirm if the following items are included in the package after unpacking.

Item name	Number of items
Analog-Digital Converter Module type AJ65VBTCU-68ADV	1
Analog-Digital Converter Module type AJ65VBTCU-68ADI	1

2. Specification

2.1 Performance specifications

The performance specifications of the AJ65VBTCU-68ADV/ADI are shown below.

For general specifications, refer to detailed manual.

Item		AJ65VBTCU-68ADV	AJ65VBTCU-68ADI				
Analog input	Protection class	IP1XB					
	Voltage	DC -10 to 0 to +10V (input resistance 1MΩ)	—				
	Current	—	DC 0 to +20mA (input resistance 250Ω)				
Digital output		16-bit signed binary (-4096 to +4095)	16-bit signed binary (-96 to +4095)				
I/O characteristics, maximum resolution, accuracy (accuracy relative to maximum value of digital output value)	Analog input range	-10 to +10V	-4000 to +4000	Accuracy		Max. Resolution	
		User range setting 1 (-10 to +10V)		Ambient temperature 0 to 55°C	Ambient temperature 25±5°C		
	AJ65VBT CU- 68ADV (Voltage)	0 to 5V	0 to 4000	±0.3% (±12 digit*)	±0.2% (±8 digit*)	2.5mV	
		1 to 5V				1.25mV	
		User range setting 2 (0 to 5V)				1.0mV	
	AJ65VBT CU- 68ADI (Current)	0 to 20mA	0 to 4000			5μA	
		4 to 20mA				4μA	
		User range setting (0 to 20mA)					
	* : digit indicates digital value.						
	Maximum conversion speed		1ms/1 channel.				
Absolute maximum input		Voltage ±15 V		current ±30mA			
Analog input points		8 channels/1 module					
CC-Link station type		Remote device station					

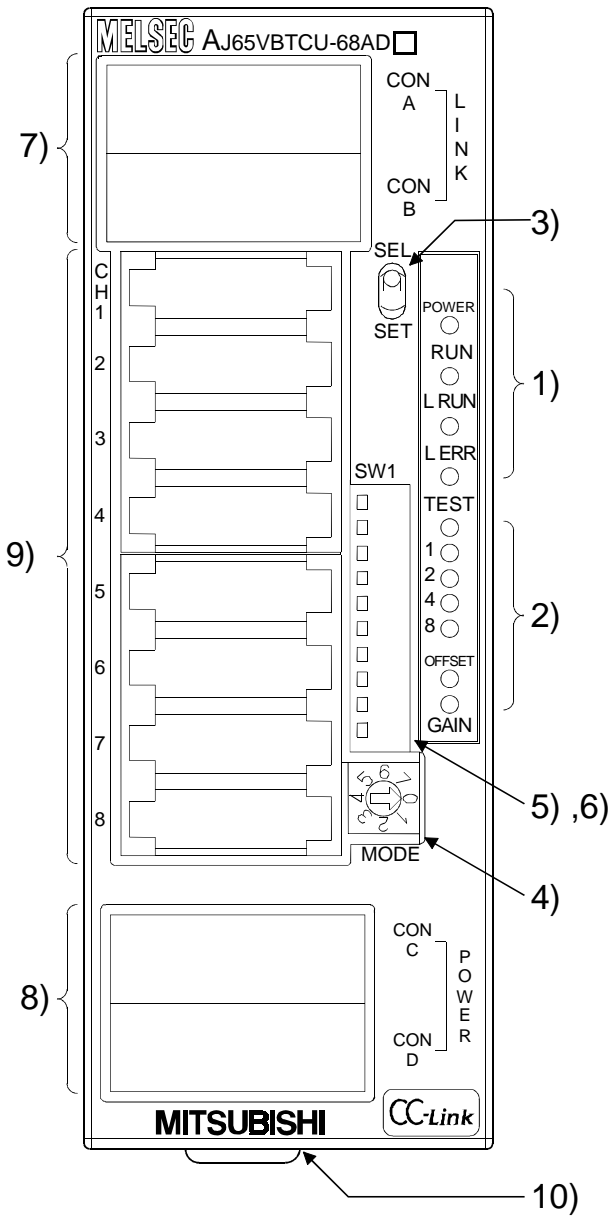
Item		AJ65VBTCU-68ADV	AJ65VBTCU-68ADI
Number of occupied stations		3 station (RX/RX: each 32 points, RWr/RWw: each 12 points)	
Communication cable		Ver. 1.10 compatible CC-Link dedicated cable: FANC-110SBH, FA-CBL200PSBH, CS-110	
Dielectric withstand voltage		Between power supply/communication system batch and analog input batch: 500VAC, 1 minute	
Insulation method		Across communication system terminals and all analog input terminals: Photocoupler isolated Across power supply system terminals and all analog input terminals: Photocoupler isolated Across channels: Non-isolated	
Noise durability		By noise simulator of 500Vp-p noise voltage, 1μs noise width and 25 to 60Hz noise frequency	
External wiring system		One-touch connector for communication [Transmission circuit] (5 pins pressure welding type, the plug for the connector is sold separately) One-touch connector for power supply and FG [Unit power supply and FG] (5 pins pressure welding type, the plug for the connector is sold separately) One-touch connector for analog I/O (4 pins pressure welding type, the plug for the connector is sold separately) <Sold separately> Online connector for communication : A6CON-LJ5P Online connector for power supply : A6CON-PWJ5P	
Applicable wire size	One-touch connector for communication	Communication line : Ver. 1.10 compatible CC-Link dedicated cable 0.5mm ² (AWG#20) [φ2.2 to 3.0], shielded wire 0.5mm ² (AWG#20)	
	One-touch connector for power supply/FG	0.66 to 0.98 mm ² (AWG#18) [φ2.2 to 3.0] Wire diameter 0.08 mm ² or more	
	One-touch connector for analog I/O	φ1.0 to 1.4 (A6CON-P214), φ1.4 to 2.0 (A6CON-P220) [Applicable cable : 0.14 to 0.2 mm ²] φ1.0 to 1.4 (A6CON-P514), φ1.4 to 2.0 (A6CON-P520) [Applicable cable : 0.3 to 0.5 mm ²]	
Applicable DIN rail		TH35-7.5Fe, TH35-7.5Al (conforming to JIS C 2812) CC-Link connector type metal installation fitting: A6PLT-J65V1	
External power supply		DC24V (DC20.4V to DC26.4V, ripple factor within 5%) Inrush current : 4.2A, within 1.2ms Current consumption 0.10A	
Weight		0.17kg	

Point	A/D conversion values are fluctuated by self-heating within approx. 30 minutes after power is turned ON.
-------	--

3. Names and Setting of Parts

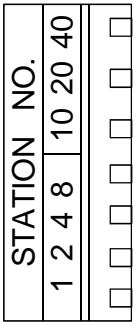
The name of each part in the AJ65VBTCU-68ADV/ADI is shown.

[Pin layout and signals name]



Pin arrangement	Pin No.	Signal name
<p>A module view from the top</p>	CONA,B	1 DA
		2 DB
		3 DG
		4 NC
		5 SLD
	CON1	1 CH1 V+/I+
		2 CH1 V-/I-
		3 NC
		4 SLD
	CON2	1 CH2 V+/I+
		2 CH2 V-/I-
		3 NC
		4 SLD
	CON3	1 CH3 V+/I+
		2 CH3 V-/I-
		3 NC
		4 SLD
	CON4	1 CH4 V+/I+
		2 CH4 V-/I-
		3 NC
4 SLD		
CON5	1 CH5 V+/I+	
	2 CH5 V-/I-	
	3 NC	
	4 SLD	
CON6	1 CH6 V+/I+	
	2 CH6 V-/I-	
	3 NC	
	4 SLD	
CON7	1 CH7 V+/I+	
	2 CH7 V-/I-	
	3 NC	
	4 SLD	
CON8	1 CH8 V+/I+	
	2 CH8 V-/I-	
	3 NC	
	4 SLD	
CONC,D	1 FG	
	2 +24V (UNIT)	
	3 24G (UNIT)	
	4 AG	
	5 FG1	

Number	Name and appearance	Description																																																	
1)	Operation status display LED	POWER LED	ON : Power supply on OFF : Power supply off																																																
		RUN LED	Normal mode On : Normal operation Flashing : 0.1s intervals: Input range setting error, mode select switch setting error 0.5s intervals: Average value setting (count) time error Off : 24VDC power supply shutoff or watchdog timer error occurred.																																																
			Test mode On : Indicates that the SELECT/SET switch is in the SET position. Flashing : 0.5s intervals: An attempt was made to make setting outside the setting range at the time of offset/gain setting. Off : Indicates that the SELECT/SET switch is in the SELECT or center position.																																																
		L RUN LED	On : Normal communication Off : Communication cutoff (time expiration error)																																																
L ERR. LED	On : Indicates that transmission speed setting or station number setting is outside the range. Flicker at fixed intervals : Indicates that transmission speed setting or station number setting was changed from that at power-on. Flicker at unfixed intervals : Indicates that you forgot fitting the termination resistor or the module or CC-Link dedicated cable is affected by noise. Off : Indicates normal communications.																																																		
2)	Offset/gain adjusting LEDs	TEST CH <input type="checkbox"/>	Normal mode Normally OFF																																																
		OFFSET GAIN <input type="checkbox"/>	Test mode TEST:ON The OFFSET/GAIN/ CH <input type="checkbox"/> LEDs lit change every time the SELECT/SET switch is moved to SELECT.																																																
3)	SELECT/SET switch	Used to make offset/gain setting in the test mode.																																																	
4)	Mode select switch	Normal mode/ Test mode select switch																																																	
		AJ65VBTCU-68ADV	AJ65VBTCU-68ADI																																																
5)	Transmission speed setting switches <table border="1" style="display: inline-table; vertical-align: middle;"> <tr><td>B RATE</td><td>1</td><td>2</td><td>4</td><td><input type="checkbox"/></td></tr> <tr><td></td><td></td><td></td><td></td><td><input type="checkbox"/></td></tr> <tr><td></td><td></td><td></td><td></td><td><input type="checkbox"/></td></tr> </table>	B RATE	1	2	4	<input type="checkbox"/>					<input type="checkbox"/>					<input type="checkbox"/>	<table border="1" style="width: 100%; text-align: center;"> <thead> <tr> <th rowspan="2">Set Value</th> <th colspan="3">Setting Switches</th> <th rowspan="2">Transmission Speed</th> </tr> <tr> <th>4</th> <th>2</th> <th>1</th> </tr> </thead> <tbody> <tr><td>0</td><td>OFF</td><td>OFF</td><td>OFF</td><td>156kbps</td></tr> <tr><td>1</td><td>OFF</td><td>OFF</td><td>ON</td><td>625kbps</td></tr> <tr><td>2</td><td>OFF</td><td>ON</td><td>OFF</td><td>2.5Mbps</td></tr> <tr><td>3</td><td>OFF</td><td>ON</td><td>ON</td><td>5.0Mbps</td></tr> <tr><td>4</td><td>ON</td><td>OFF</td><td>OFF</td><td>10Mbps</td></tr> </tbody> </table> <p>Always set the transmission speed within the above range. The switches are all factory-set to OFF. Making any other setting than the above will result in an error flickering the "L ERR." LED. Confirm the transmission speed setting switch numbers on the seal located on the side face of the connector for analog I/O.</p>		Set Value	Setting Switches			Transmission Speed	4	2	1	0	OFF	OFF	OFF	156kbps	1	OFF	OFF	ON	625kbps	2	OFF	ON	OFF	2.5Mbps	3	OFF	ON	ON	5.0Mbps	4	ON	OFF	OFF	10Mbps
		B RATE	1	2	4	<input type="checkbox"/>																																													
				<input type="checkbox"/>																																															
				<input type="checkbox"/>																																															
Set Value	Setting Switches			Transmission Speed																																															
	4	2	1																																																
0	OFF	OFF	OFF	156kbps																																															
1	OFF	OFF	ON	625kbps																																															
2	OFF	ON	OFF	2.5Mbps																																															
3	OFF	ON	ON	5.0Mbps																																															
4	ON	OFF	OFF	10Mbps																																															

Number	Name and appearance	Description																																																																																																														
6)	Station number setting switches 	<p>Use the switches in STATION NO. "10", "20" and "40" to set the tens of the station number. Use the switches in STATION NO. "1", "2", "4" and "8" to set the units of the station number. The switches are all factory-set to OFF. Always set the station number within the range 1 to 64. Setting any other number than 1 to 64 will result in an error, flickering the "L ERR." LED. You cannot set the same station number to two or more stations.</p> <table border="1"> <thead> <tr> <th rowspan="2">Station Number</th> <th colspan="3">Tens</th> <th colspan="4">Units</th> </tr> <tr> <th>40</th> <th>20</th> <th>10</th> <th>8</th> <th>4</th> <th>2</th> <th>1</th> </tr> </thead> <tbody> <tr> <td>1</td> <td>OFF</td> <td>OFF</td> <td>OFF</td> <td>OFF</td> <td>OFF</td> <td>OFF</td> <td>ON</td> </tr> <tr> <td>2</td> <td>OFF</td> <td>OFF</td> <td>OFF</td> <td>OFF</td> <td>OFF</td> <td>ON</td> <td>OFF</td> </tr> <tr> <td>3</td> <td>OFF</td> <td>OFF</td> <td>OFF</td> <td>OFF</td> <td>OFF</td> <td>ON</td> <td>ON</td> </tr> <tr> <td>4</td> <td>OFF</td> <td>OFF</td> <td>OFF</td> <td>OFF</td> <td>ON</td> <td>OFF</td> <td>OFF</td> </tr> <tr> <td>⋮</td> <td>⋮</td> <td>⋮</td> <td>⋮</td> <td>⋮</td> <td>⋮</td> <td>⋮</td> <td>⋮</td> </tr> <tr> <td>10</td> <td>OFF</td> <td>OFF</td> <td>ON</td> <td>OFF</td> <td>OFF</td> <td>OFF</td> <td>OFF</td> </tr> <tr> <td>11</td> <td>OFF</td> <td>OFF</td> <td>ON</td> <td>OFF</td> <td>OFF</td> <td>OFF</td> <td>ON</td> </tr> <tr> <td>⋮</td> <td>⋮</td> <td>⋮</td> <td>⋮</td> <td>⋮</td> <td>⋮</td> <td>⋮</td> <td>⋮</td> </tr> <tr> <td>64</td> <td>ON</td> <td>ON</td> <td>OFF</td> <td>OFF</td> <td>ON</td> <td>OFF</td> <td>OFF</td> </tr> </tbody> </table> <p>(Example) To set the station number to "32", set the switches as indicated below.</p> <table border="1"> <thead> <tr> <th rowspan="2">Station Number</th> <th colspan="3">Tens</th> <th colspan="4">Units</th> </tr> <tr> <th>40</th> <th>20</th> <th>10</th> <th>8</th> <th>4</th> <th>2</th> <th>1</th> </tr> </thead> <tbody> <tr> <td>32</td> <td>OFF</td> <td>ON</td> <td>ON</td> <td>OFF</td> <td>OFF</td> <td>ON</td> <td>OFF</td> </tr> </tbody> </table> <p>Confirm the station number setting switch numbers on the seal located on the side face of the connector for analog I/O.</p>	Station Number	Tens			Units				40	20	10	8	4	2	1	1	OFF	OFF	OFF	OFF	OFF	OFF	ON	2	OFF	OFF	OFF	OFF	OFF	ON	OFF	3	OFF	OFF	OFF	OFF	OFF	ON	ON	4	OFF	OFF	OFF	OFF	ON	OFF	OFF	⋮	⋮	⋮	⋮	⋮	⋮	⋮	⋮	10	OFF	OFF	ON	OFF	OFF	OFF	OFF	11	OFF	OFF	ON	OFF	OFF	OFF	ON	⋮	⋮	⋮	⋮	⋮	⋮	⋮	⋮	64	ON	ON	OFF	OFF	ON	OFF	OFF	Station Number	Tens			Units				40	20	10	8	4	2	1	32	OFF	ON	ON	OFF	OFF	ON	OFF
Station Number	Tens			Units																																																																																																												
	40	20	10	8	4	2	1																																																																																																									
1	OFF	OFF	OFF	OFF	OFF	OFF	ON																																																																																																									
2	OFF	OFF	OFF	OFF	OFF	ON	OFF																																																																																																									
3	OFF	OFF	OFF	OFF	OFF	ON	ON																																																																																																									
4	OFF	OFF	OFF	OFF	ON	OFF	OFF																																																																																																									
⋮	⋮	⋮	⋮	⋮	⋮	⋮	⋮																																																																																																									
10	OFF	OFF	ON	OFF	OFF	OFF	OFF																																																																																																									
11	OFF	OFF	ON	OFF	OFF	OFF	ON																																																																																																									
⋮	⋮	⋮	⋮	⋮	⋮	⋮	⋮																																																																																																									
64	ON	ON	OFF	OFF	ON	OFF	OFF																																																																																																									
Station Number	Tens			Units																																																																																																												
	40	20	10	8	4	2	1																																																																																																									
32	OFF	ON	ON	OFF	OFF	ON	OFF																																																																																																									
7)	One-touch connector for communication	A one-touch connector for connection of the communication line When carrying out wiring, connect two optional one-touch connector plugs for communication at top and bottom.																																																																																																														
8)	One-touch connector for power supply and FG	A one-touch connector for connection of the module power supply line and FG. When carrying out jumper wiring, connect two optional one-touch connector plugs for power supply/FG at top and bottom.																																																																																																														
9)	One-touch connector for analog I/O	One-touch connector for analog I/O Connect a one-touch connector plug when wiring.																																																																																																														
10)	DIN rail hook	Used to mount the module to the DIN rail.																																																																																																														

<p>Point</p> <p>After power-on, do not change the mode select switch setting. If you change it midway during operation, the setting at power-on is valid.</p>

4. Loading and Installation

4.1 Precautions when handling

The following is an explanation of handling precautions of the module.

- (1) Because the case of the module is made of resin, be careful not to drop it or expose it to strong impact.

4.2 Installation environment

Never install the module in the following environments:

- (1) Locations where the ambient temperature is outside the range of 0 to 55°C.
- (2) Locations where the ambient humidity is outside the range of 10 to 99%RH.
- (3) Locations where dew condensation takes place due to sudden temperature changes.
- (4) Locations where there are corrosive and/or combustible gasses.
- (5) Locations where there is a high level of conductive power (such as dust and iron filings, oil mist, salt, and organic solvents).
- (6) Locations exposed to the direct rays of the sun.
- (7) Locations where strong power and magnetic fields are generated.
- (8) Locations where vibration and shock are directly transmitted to the main module.

5. Data Link Cable Wiring

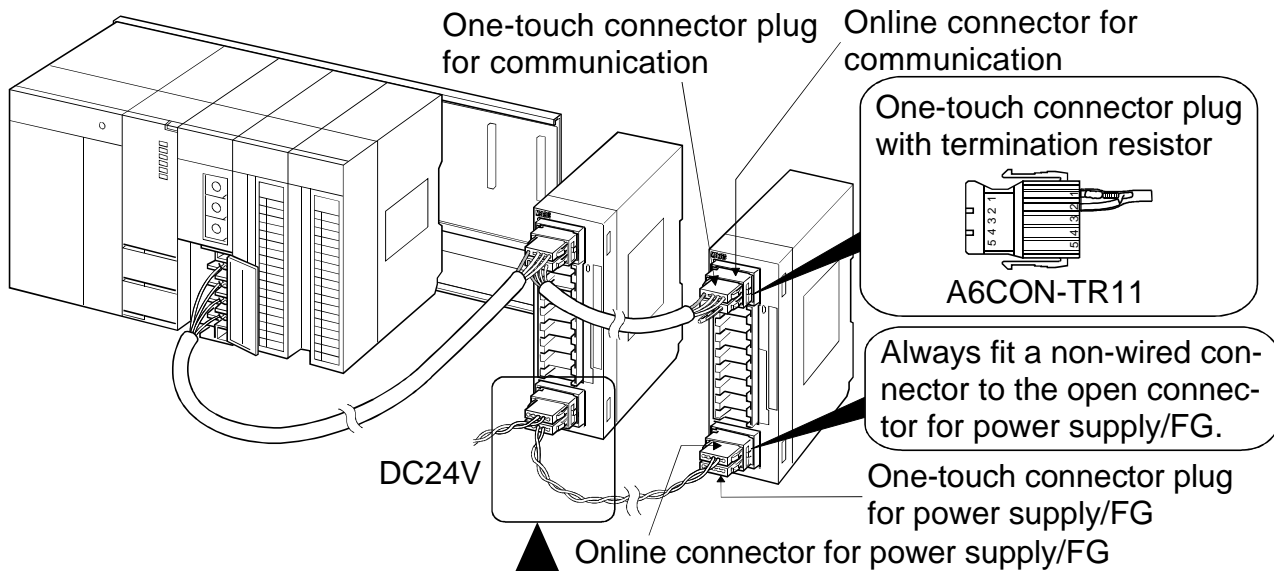
5.1 Instructions for handling the CC-Link dedicated cables

Do not handle the CC-Link dedicated cables roughly as described below. Doing so can damage the cables.

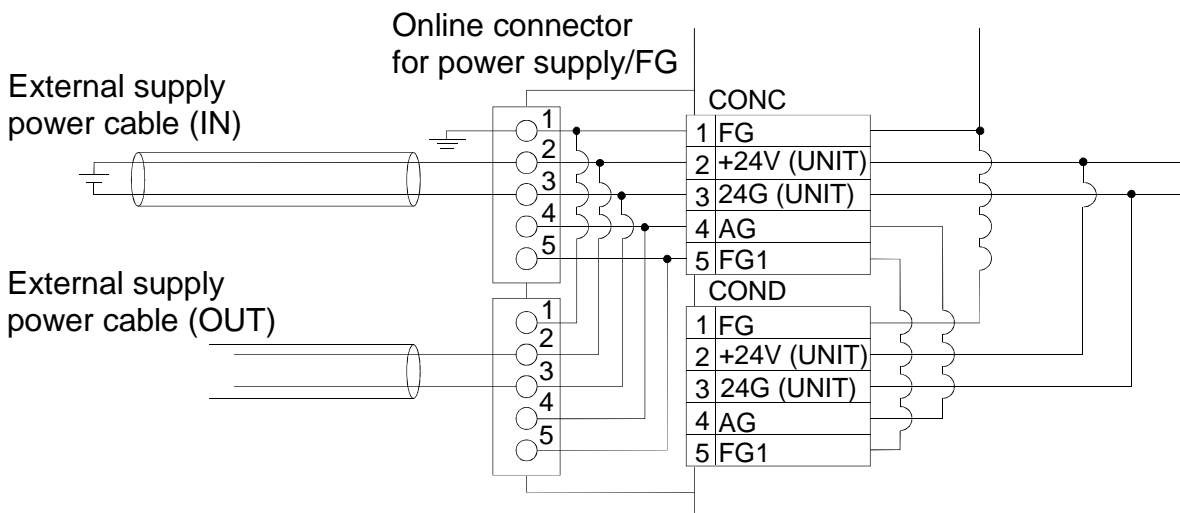
- Compact with a sharp object.
- Twist the cable excessively.
- Pull the cable hard. (more than the permitted elasticity.)
- Step on the cable.
- Place an object on the top.
- Scratch the cable's protective layer.

5.2 Connection of the CC-Link dedicated cables

Connect the CC-Link dedicated cable between the AJ65VBTCU-68ADV/ADI and master module as shown below.

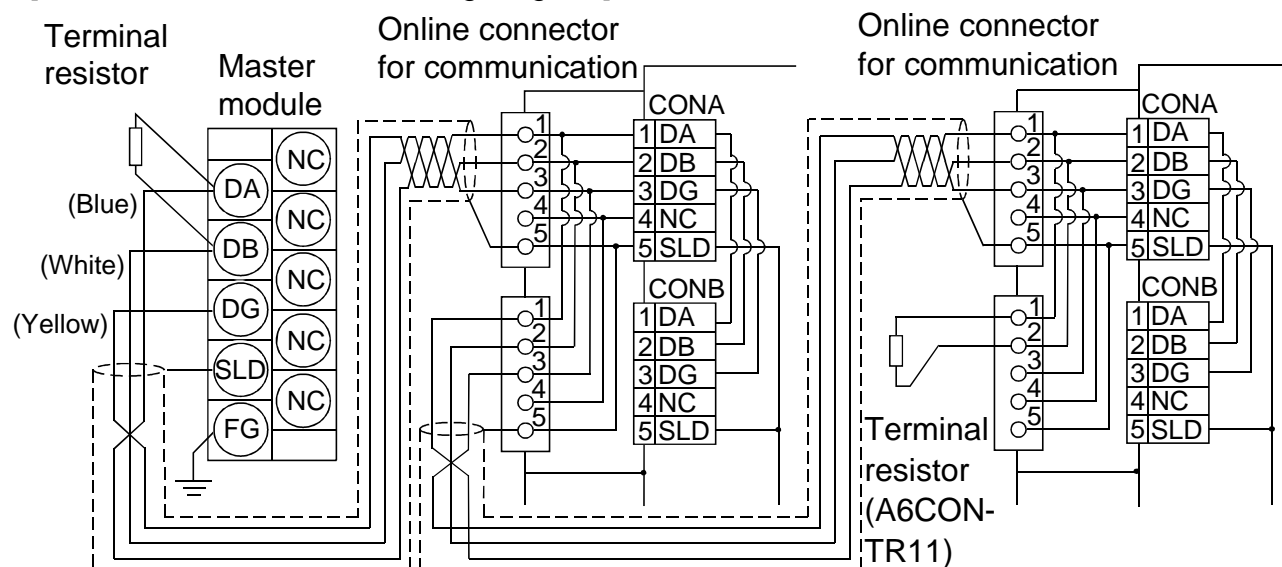


[Power supply/FG cable wiring diagram]



* The power cables cannot be connected with the other remote I/O module having the one-touch connector for power supply.

[CC-Link dedicated cable wiring diagram]



Ver.1.10 Compatible CC-Link dedicated cable (FANC-110SBH,CS-100,FA-CBL200PSBH)

Point

- On this unit, use the Ver. 1.10-compatible CC-Link dedicated cable (FANC-110SBH, CS-110, FA-CBL200PSBH). You cannot use the Ver. 1.10-compatible CC-Link dedicated cables of other than the above types, CC-Link dedicated cables and CC-Link dedicated, high-performance cables.
- The shield cable of the CC-Link dedicated cable should be connected to “SLD” in each module, and both ends should be grounded through “FG”.

6. Wiring

6.1 Wiring precautions

To obtain maximum performance from the functions of AJ65VBTCU-68ADV/ADI and improve the system reliability, an external wiring with high durability against noise is required.

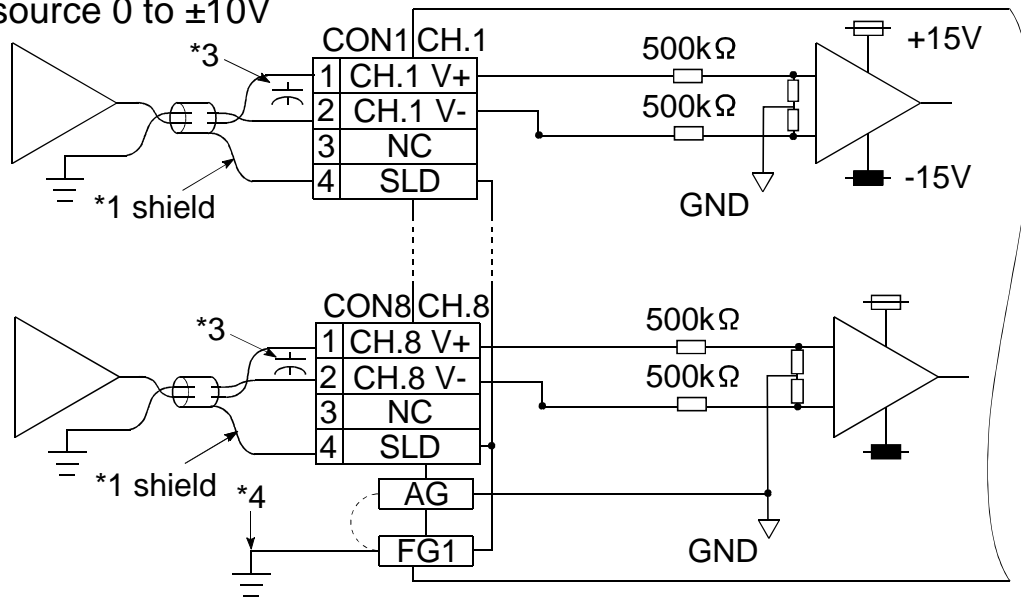
The precautions when performing external wiring are as follows:

- (1) Use separate cables for the AC and AJ65VBTCU-68ADV/ADI external input signals, in order not to be affected by the AC side surge or conductivity.
- (2) Do not bundle or place with load carrying wires other than the main circuit line, high voltage line or PLC. Noises, surges, or conductivity may affect the system.
- (3) Place a one-point grounding on the PLC side for the shielded line or shielded cable. However, depending on the external noise conditions, it may be better have a grounding externally.

6.2 Module connection example

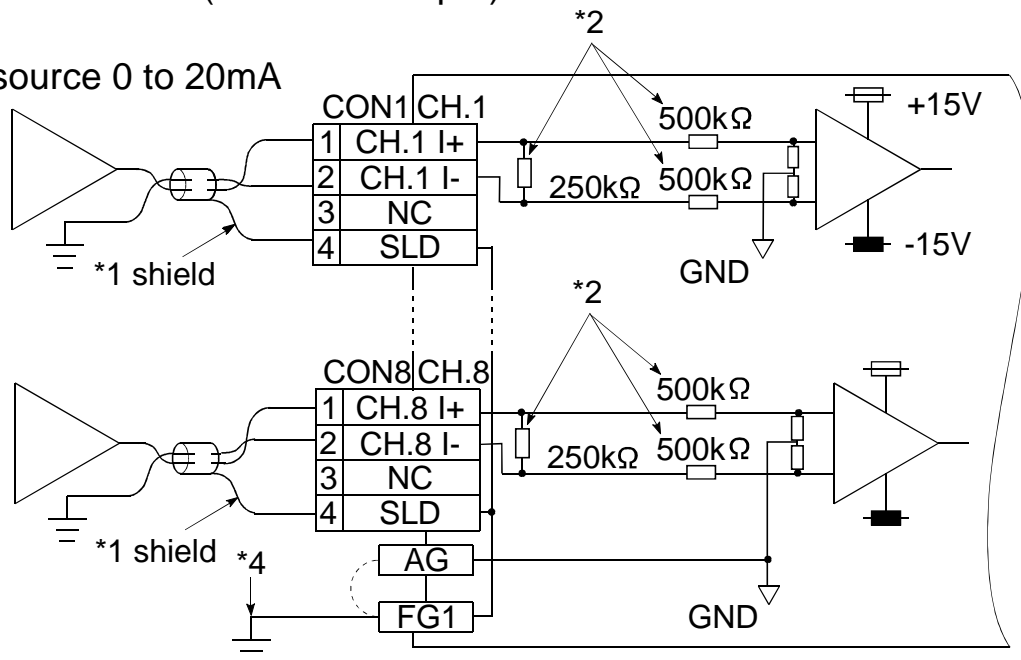
(1) AJ65VBTCU-68ADV(For voltage input)

Signal source 0 to $\pm 10V$



(2) AJ65VBTCU-68ADI(For current input)

Signal source 0 to 20mA



*1 Use a two-core twisted shield line for the power cable.

*2 Indicates the AJ65VBTCU-68ADI input resistor.

*3 When noise or ripple occurs with the external cable, connect a condenser with about 0.1 to 0.47 μ F (25V or higher voltage-resistant product) between the terminal V+ and V-.

*4 Always perform grounding for FG1. When there is a lot of noise, it may be better ground AG as well.

If the grounding wiring (grounding yes/no) is changed after the offset and gain are set, perform the setting of the offset/gain values again.

Point

- Do not insert the one-touch connector plug for I/O of the one-touch connector type/connector type compact remote I/O unit into the one-touch connector for analog I/O accidentally. Doing so can cause the module to be damaged.

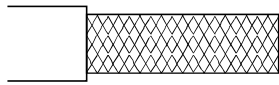
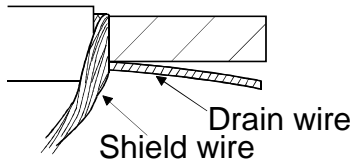
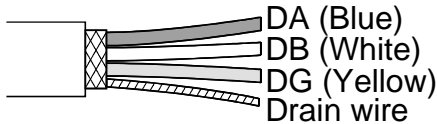
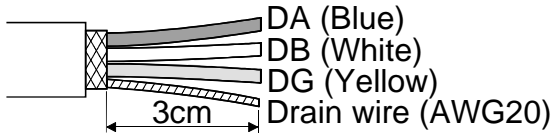
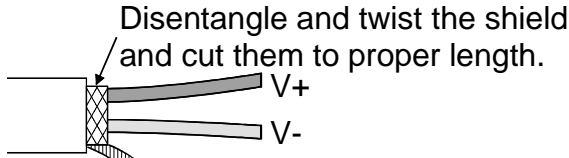
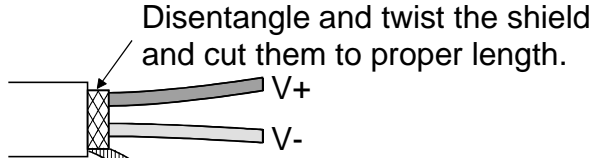
7. How to Wire the One-Touch Connector Plug

This section describes the way to wire the one-touch connector plug.

Refer to the AJ65VBTCU-68ADV/ADI Analog-Digital User's Manual for more information on the types and specifications of the one-touch connector plugs which conform to the AJ65VBTCU-68ADV/ADI.

(1) Cable termination work

Do the following work on the cable terminations of the communication and analog input cables that are inserted into the one-touch connector plugs.

Communication Cable Termination Work	
<p>1. Cut the sheath.</p> 	<p>2. Separate the shield and drain wire and cut the shield.</p>  <p>Shield wire Drain wire</p>
<p>3. Cut the aluminum tape and intervening cord.</p>  <p>DA (Blue) DB (White) DG (Yellow) Drain wire</p>	<p>4. Straighten out the drain wire and twist it from the root. (3cm seven or more times)</p>  <p>DA (Blue) DB (White) DG (Yellow) Drain wire (AWG20) 3cm</p>
Analog Input Cable Termination Work	
Termination using soldering	Termination using crimping sleeves
<p>Disentangle and twist the shield and cut them to proper length.</p>  <p>V+ V- SLD One-touch connector plug for analog I/O Connect the applicable cable (*1).</p> <p>Termination using soldering</p>	<p>Disentangle and twist the shield and cut them to proper length.</p>  <p>V+ V- SLD One-touch connector plug for analog I/O Connect the applicable cable (*1).</p> <p>Termination using crimping sleeves Example: Butt joint</p>

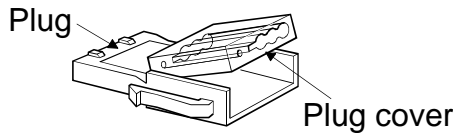
*1 For the applicable cable size, refer to the AJ65VBTCU-68ADV/ADI Analog-Digital User's Manual.

Point

- Where possible, round the tip that was cut with nippers or like.
If the section of the cable to be inserted is not round, the cable may be caught at any point and not go far enough.
- Do insulation work as necessary on the area of the shield that will not be inserted into the one-touch connector plug.

(2) Checking the plug cover

Check whether the plug cover is installed in the plug.



Caution:

Before inserting the cable, do not push the plug cover into the plug. Once insulation-displaced, the plug cannot be reused.

(3) Inserting the cable

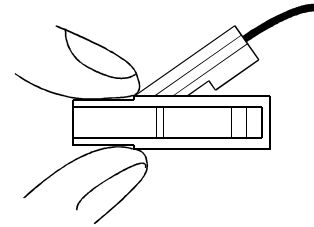
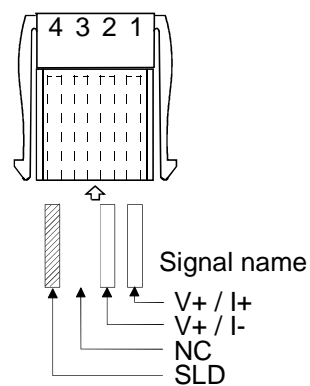
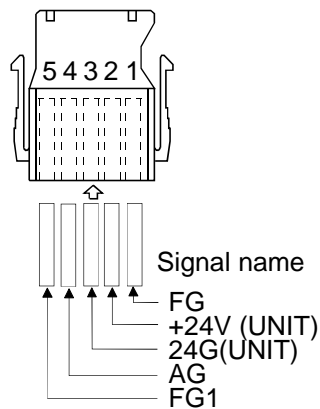
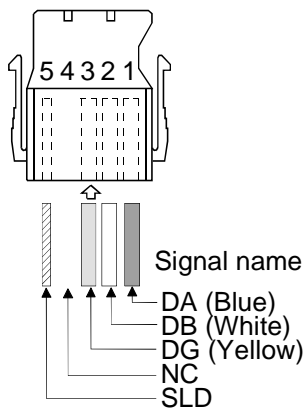
Lift the back of the plug cover and insert the cable until it makes contact with the plug.

Insert the signal cables into the one-touch connector plug as shown below.

<For communication>

<For power supply/FG>

<For analog input>



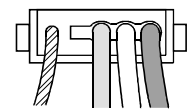
Point

- Insert the cables far enough.
Not doing so can cause an insulation displacement fault.
- The cable inserted may come out of the cover front.
At this time, pull it back until the cable tip goes back into the plug cover.

(4) Insulation displacement of plug cover

Using pliers or like, push the plug cover into the plug to insulation-displace it.

After insulation displacement, make sure that the plug cover is securely installed in the plug as shown below.

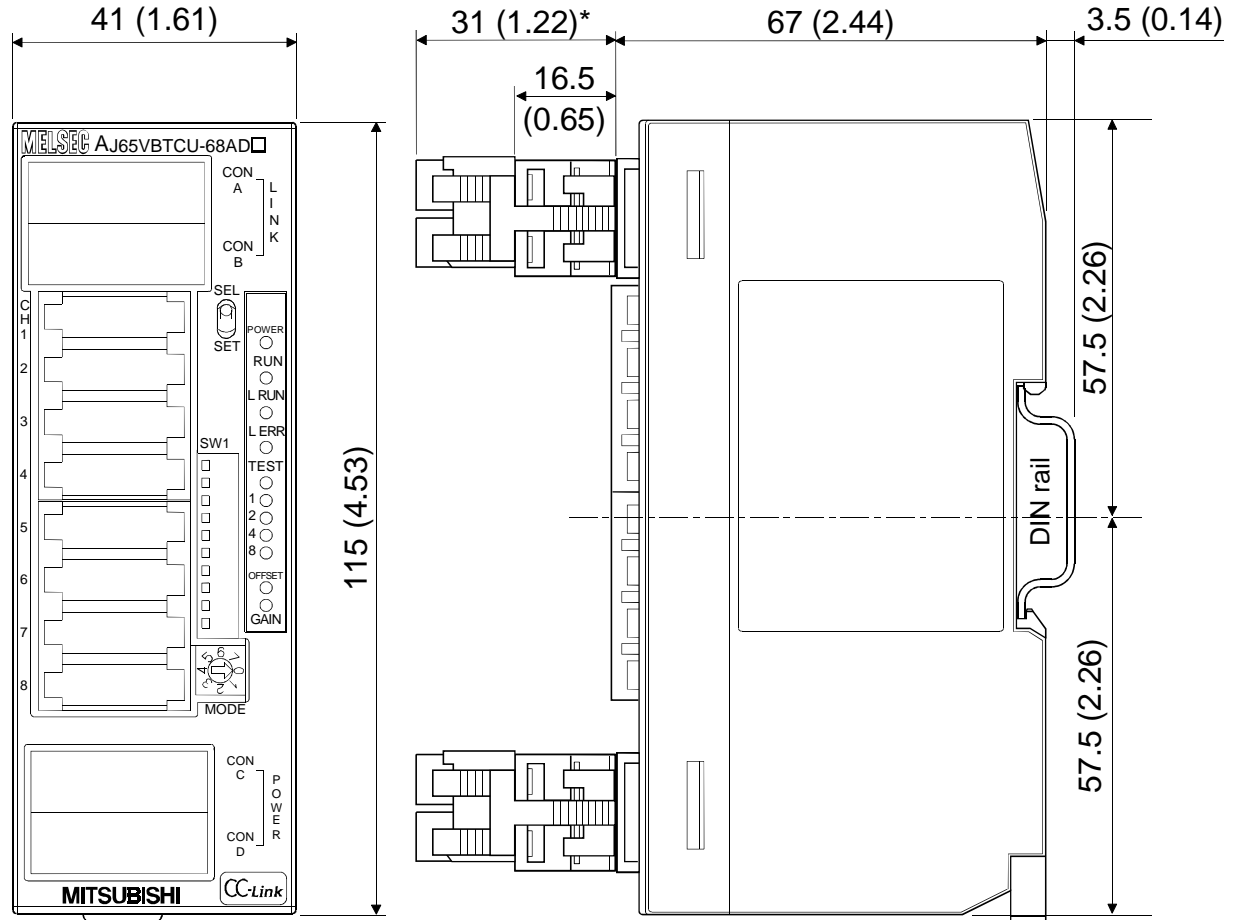


Point

- The plug cover and plug latches may not engage at the time of insulation displacement, raising the cover.
Since the plug cover has not been insulation-displaced sufficiently in this state, push the cover into the plug until it is installed securely.

8. External Dimension Diagram

[AJ65VBTCU-68ADV/ADI]



*: This section should be 14.5mm (0.57inch) when an online connector is not installed.

Unit:mm(inch)

Warranty

Mitsubishi will not be held liable for damage caused by factors found not to be the cause of Mitsubishi; machine damage or lost profits caused by faults in the Mitsubishi products; damage, secondary damage, accident compensation caused by special factors unpredictable by Mitsubishi; damages to products other than Mitsubishi products; and to other duties.

⚠ For safe use

- This product has been manufactured as a general-purpose part for general industries, and has not been designed or manufactured to be incorporated in a device or system used in purposes related to human life.
- Before using the product for special purposes such as nuclear power, electric power, aerospace, medicine or passenger movement vehicles, consult with Mitsubishi.
- This product has been manufactured under strict quality control. However, when installing the product where major accidents or losses could occur if the product fails, install appropriate backup or failsafe functions in the system.

Country/Region	Sales office/Tel	Country/Region	Sales office/Tel
U.S.A	Mitsubishi Electric Automation Inc. 500 Corporate Woods Parkway Vernon Hills, IL 60061 Tel : +1-847-478-2100	China	Ryoden International Shanghai Ltd. 3F Block5 Building Automation Instrumentation Plaza 103 Cao Bao Rd. Shanghai 200233 China Tel : +86-21-6475-3228
Brazil	MELCO-TEC Rep. Com.e Assessoria Tecnica Ltda. Av. Rio Branco, 123-15 ,and S/1507, Rio de Janeiro, RJ CEP 20040-005, Brazil Tel : +55-21-221-8343	Taiwan	Setsuyo Enterprise Co., Ltd. 6F., No.105 Wu-Kung 3rd.RD, Wu-Ku Hsiang, Taipei Hsine, Taiwan Tel : +886-2-2299-2499
Germany	Mitsubishi Electric Europe B.V. German Branch Gothaer Strasse 8 D-40880 Ratingen, GERMANY Tel : +49-2102-486-0	Korea	HAN NEUNG TECHNO CO.,LTD. 1F Dong Seo Game Channel Bldg., 660-11, Deungchon-dong Kangsec-ku, Seoul, Korea Tel : +82-2-3668-6567
U.K	Mitsubishi Electric Europe B.V. UK Branch Travellers Lane, Hatfield, Herts., AL10 8XB,UK Tel : +44-1707-276100	Singapore	Mitsubishi Electric Asia Pte, Ltd. 307 ALEXANDRA ROAD #05-01/02, MITSUBISHI ELECTRIC BUILDING SINGAPORE 159943 Tel : +65-473-2480
Italy	Mitsubishi Electric Europe B.V. Italian Branch Centro Dir. Colleoni, Pal. Perseo - Ingr.2 Via Paracelso 12, 20041 Agrate B., Milano, Italy Tel:+39-039-60531	Thailand	F. A. Tech Co.,Ltd. 898/28,29,30 S.V.City Building,Office Tower 2,Floor 17-18 Rama 3 Road, Bangkokpong, Yannawa, Bangkok 10120 Tel : +66-2-682-6522
Spain	Mitsubishi Electric Europe B.V. Spanish Branch Carretera de Rubi 76-80 08190 - Sant Cugat del Valles, Barcelona, Spain Tel:+34-935-653135	Indonesia	P.T. Autoteknindo SUMBER MAKMUR Jl. Muara Karang Selatan Block A Utara No.1 Kav. No.11 Kawasan Industri/ Pergudangan Jakarta - Utara 14440 Tel : +62-21-663-0833
South Africa	Circuit Breaker Industries LTD. Private Bag 2016, Isando 1600, Johannesburg, South Africa Tel : +27-11-928-2000	India	Messung Systems Put,Ltd. Electronic Sadan NO:111 Unit No15, M.I.D.C BHOSARI,PUNE-411026 Tel : +91-20-7128927
Hong Kong	Ryoden Automation Ltd. 10th Floor, Manulife Tower, 169 Electric Road, North Point, HongKong Tel : +852-2887-8870	Australia	Mitsubishi Electric Australia Pty. Ltd. 348 Victoria Road, PostalBag, No 2, Rydalmere, N.S.W 2116, Australia Tel : +61-2-9684-7777

MITSUBISHI ELECTRIC CORPORATION

HEAD OFFICE : 1-8-12, OFFICE TOWER Z 14F HARUMI CHUO-KU 104-6212, JAPAN
NAGOYA WORKS : 1-14, YADA-MINAMI5, HIGASHI-KU, NAGOYA, JAPAN

When exported from Japan, this manual does not require application to the Ministry of Economy, Trade and Industry for service transaction permission.

Specifications subject to change without notice.
Printed in Japan on recycled paper.