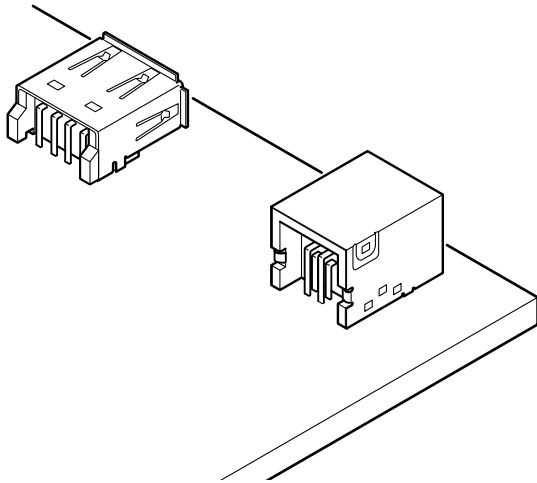


UB CONNECTOR

USB (Universal Serial Bus) compliant connector



- Conforms to USB (Universal Serial Bus) 2.0 standards
- Secure EMI shielding effect
- SMT configuration

Standards

Ⓜ : Recognized E 60389

Ⓢ : Certified LR 20812

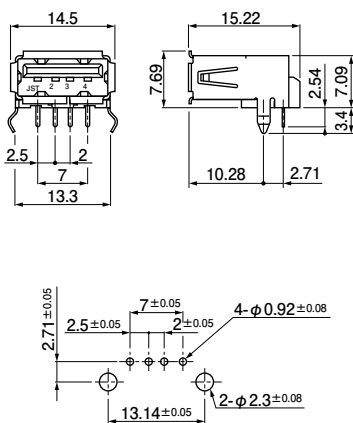
Specifications

- Current rating: 1.0 A/Line AC/DC
 - Voltage rating: 30 V AC/DC
 - Temperature range: -55°C to +85°C (including temperature rise in applying electrical current)
 - Contact resistance:
 - Initial value/ 30 mΩ max.
 - After environmental tests/ 10 mΩ max. (variation from initial value)
 - Insulation resistance: 1,000 MΩ min.
 - Withstanding voltage: 750 VAC/minute
- * In using the products, refer to "Handling Precautions for Terminals and Connectors" described on our website (Technical documents of Product information page).
- * RoHS2 compliance
- * Dimensional unit: mm
- * Contact JST for details.

Receptacle

USB 2.0 certified product

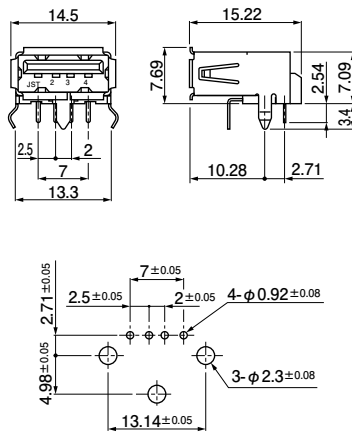
Type A <Through-hole type> Normal



Model No.	Material and Finish	
UBA-4R-D14-4D	Contact	Copper alloy, nickel-undercoated, selective gold-plated
	Housing	Thermoplastic resin, UL94V-0
	Shell	Copper alloy, nickel-undercoated, tin-plated

RoHS2 compliance This product displays (LF)(SN) on a label.

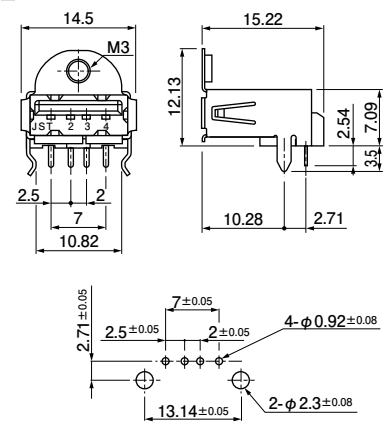
Type A <Through-hole type> With solder tab



Model No.	Material and Finish	
UBA-4R-D14T-4D	Contact	Copper alloy, nickel-undercoated, selective gold-plated
	Housing	Thermoplastic resin, UL94V-0
	Shell	Copper alloy, nickel-undercoated, tin-plated
	Solder tab	Copper alloy, copper-undercoated, tin-plated

RoHS2 compliance This product displays (LF)(SN) on a label.

Type A <Through-hole type> With upper flange



Model No.	Material and Finish	
UBA-4R-D14C2-4D	Contact	Copper alloy, nickel-undercoated, selective gold-plated
	Housing	Thermoplastic resin, UL94V-0
	Shell	Copper alloy, nickel-undercoated, tin-plated

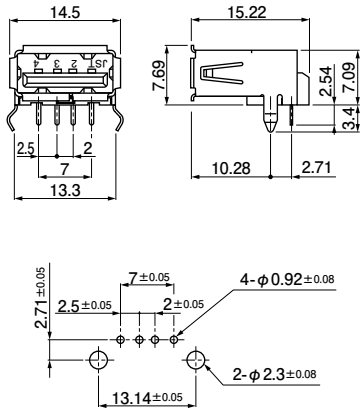
RoHS2 compliance This product displays (LF)(SN) on a label.

Note: Please contact JST for details as the dimensions shown in the above figure are reference values.

Receptacle

USB 2.0 certified product

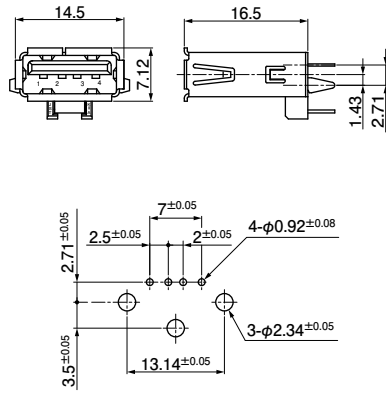
Type A <Through-hole type> Reverse



Model No.	Material and Finish	
UBA-R4R-D14-4D	Contact	Copper alloy, nickel-undercoated, selective gold-plated
	Housing	Thermoplastic resin, UL94V-0
	Shell	Copper alloy, nickel-undercoated, tin-plated

RoHS2 compliance This product displays (LF)(SN) on a label.

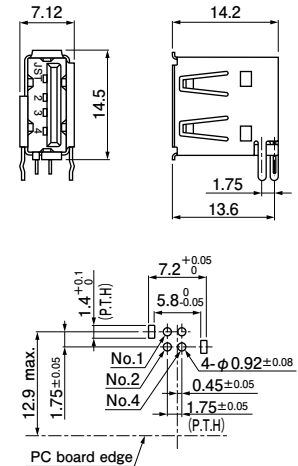
Type A <Through-hole type> Straight, normal



Model No.	Material and Finish	
UBAS-4R-D14D-4D	Contact	Copper alloy, nickel-undercoated, selective gold-plated
	Housing	Thermoplastic resin, UL94V-0
	Shell	Copper alloy, nickel-undercoated, tin-plated

RoHS2 compliance This product displays (LF)(SN) on a label.

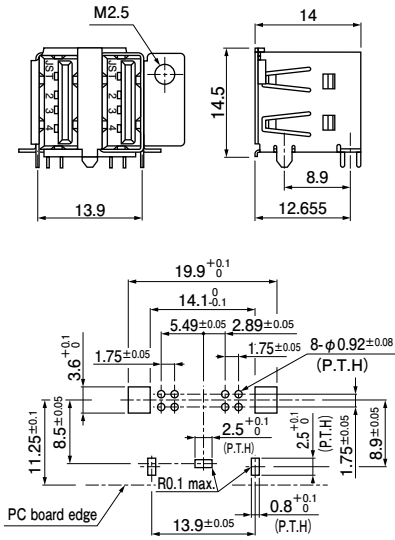
Type A <Through-hole type> Vertical, normal



Model No.	Material and Finish	
UBAL-4R-D14-4S	Contact	Copper alloy, nickel-undercoated, selective gold-plated
	Housing	Thermoplastic resin, UL94V-0
	Shell	Copper alloy, nickel-undercoated, tin-plated

RoHS2 compliance This product displays (LF)(SN) on a label.

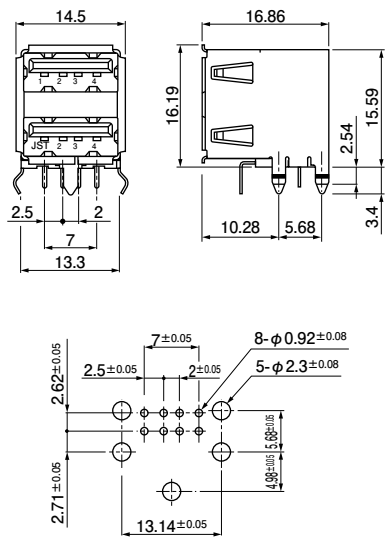
Type A <Through-hole type> Vertical, dual-row



Model No.	Material and Finish	
UBAL-4RS-D14K-4S	Contact	Copper alloy, nickel-undercoated, selective gold-plated
	Housing	Thermoplastic resin, UL94V-0
	Shell A	Copper alloy, nickel-undercoated, tin-plated
	Shell B	Copper alloy, nickel-undercoated, tin-plated

RoHS2 compliance This product displays (LF)(SN) on a label.

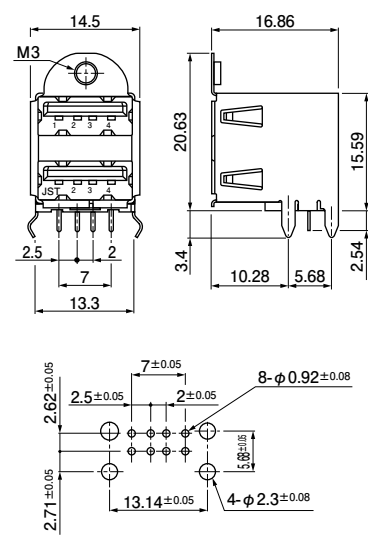
Type A <Through-hole type> Double-stack



Model No.	Material and Finish	
UBA-4RS-D14T-4D	Contact	Copper alloy, nickel-undercoated, selective gold-plated
	Housing	Thermoplastic resin, UL94V-0
	Locator	Thermoplastic resin, UL94V-0
	Shell A	Copper alloy, nickel-undercoated, tin-plated
	Shell B	Copper alloy, nickel-undercoated, tin-plated
Solder tab	Copper alloy, copper-undercoated, tin-plated	

RoHS2 compliance This product displays (LF)(SN) on a label.

Type A <Through-hole type> Double-stack with upper flange



Model No.	Material and Finish	
UBA-4RS-D14C-4D	Contact	Copper alloy, nickel-undercoated, selective gold-plated
	Housing	Thermoplastic resin, UL94V-0
	Locator	Thermoplastic resin, UL94V-0
	Shell A	Copper alloy, nickel-undercoated, tin-plated
	Shell B	Copper alloy, nickel-undercoated, tin-plated

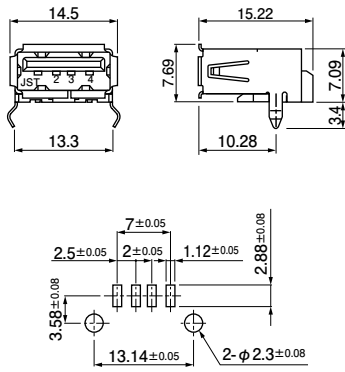
RoHS2 compliance This product displays (LF)(SN) on a label.

Note: Please contact JST for details as the dimensions shown in the above figure are reference values.

Receptacle

USB 2.0 certified product

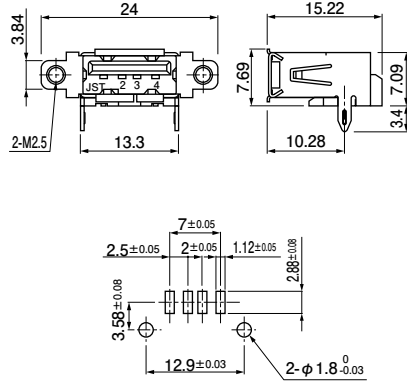
Type A <SMT type> Without flange



Model No.	Material and Finish	
UBA-4R-S14-4S	Contact	Copper alloy, nickel-undercoated, selective gold-plated
	Housing	Thermoplastic resin, UL94V-0
	Shell	Copper alloy, nickel-undercoated, tin-plated

RoHS2 compliance This product displays (LF)(SN) on a label.

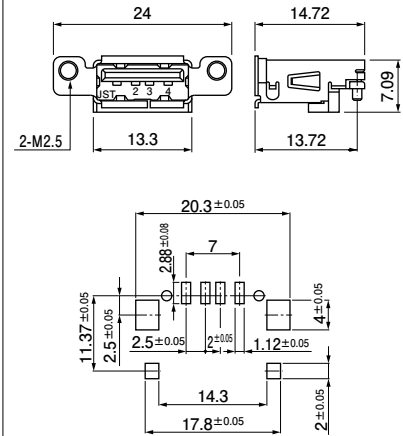
Type A <SMT type> With side flange



Model No.	Material and Finish	
UBA-4R-S14A-4S	Contact	Copper alloy, nickel-undercoated, selective gold-plated
	Housing	Thermoplastic resin, UL94V-0
	Shell	Copper alloy, nickel-undercoated, tin-plated

RoHS2 compliance This product displays (LF)(SN) on a label.

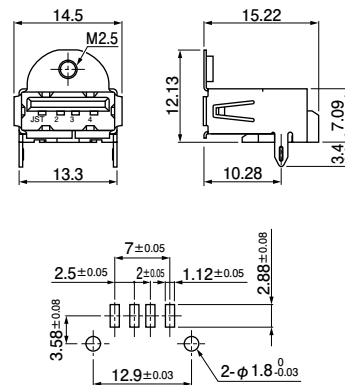
Type A <SMT type, offset 3 mm> With side flange



Model No.	Material and Finish	
UBA-4R-S14B-4S	Contact	Copper alloy, nickel-undercoated, selective gold-plated
	Housing	Thermoplastic resin, UL94V-0
	Shell	Copper alloy, nickel-undercoated, tin-plated

RoHS2 compliance This product displays (LF)(SN) on a label.

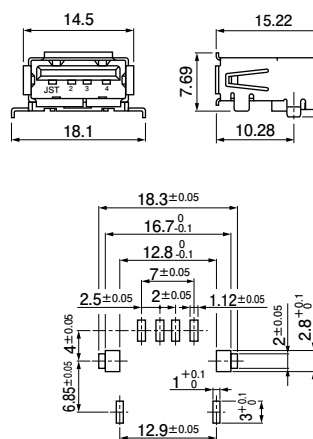
Type A <SMT type> With upper flange



Model No.	Material and Finish	
UBA-4R-S14C-4S	Contact	Copper alloy, nickel-undercoated, selective gold-plated
	Housing	Thermoplastic resin, UL94V-0
	Shell	Copper alloy, nickel-undercoated, tin-plated

RoHS2 compliance This product displays (LF)(SN) on a label.

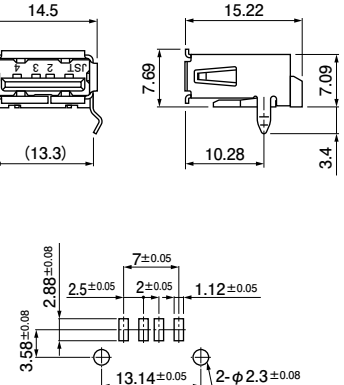
Type A <SMT type> FULL SMT



Model No.	Material and Finish	
UBA-4R-S14HD-4S	Contact	Copper alloy, nickel-undercoated, selective gold-plated
	Housing	Thermoplastic resin, UL94V-0
	Shell	Copper alloy, nickel-undercoated, tin-plated

RoHS2 compliance This product displays (LF)(SN) on a label.

Type A <SMT type> Reverse



Model No.	Material and Finish	
UBA-R4R-S14-4S	Contact	Copper alloy, nickel-undercoated, selective gold-plated
	Housing	Thermoplastic resin, UL94V-0
	Shell	Copper alloy, nickel-undercoated, tin-plated

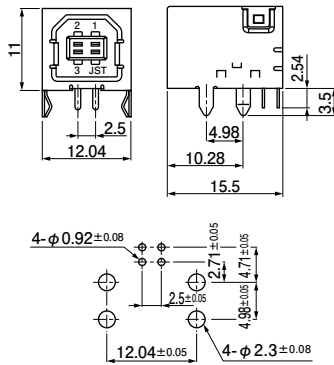
RoHS2 compliance This product displays (LF)(SN) on a label.

Note: Please contact JST for details as the dimensions shown in the above figure are reference values.

Receptacle

USB 2.0 certified product

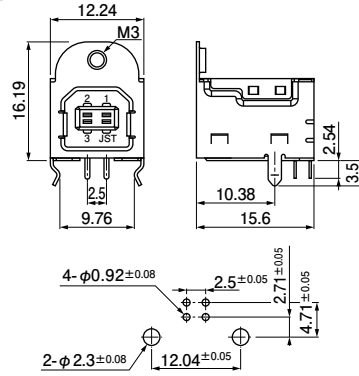
Type B <Through-hole type> With solder tab



Model No.	Material and Finish	
UBB-4R-D14T-4D	Contact	Copper alloy, nickel-undercoated, selective gold-plated
	Housing	Thermoplastic resin, UL94V-0
	Shell	Copper alloy, nickel-undercoated, tin-plated

RoHS2 compliance This product displays (LF)(SN) on a label.

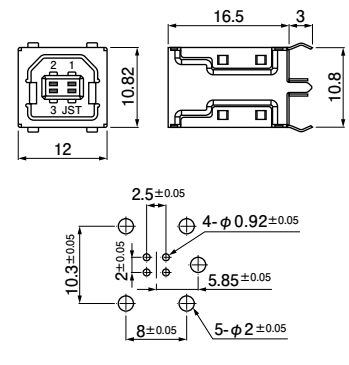
Type B <Through-hole type> With upper flange



Model No.	Material and Finish	
UBB-4R-D14C-4D	Contact	Copper alloy, nickel-undercoated, selective gold-plated
	Housing	Thermoplastic resin, UL94V-0
	Shell	Copper alloy, nickel-undercoated, tin-plated

RoHS2 compliance This product displays (LF)(SN) on a label.

Type B <Through-hole type> Straight



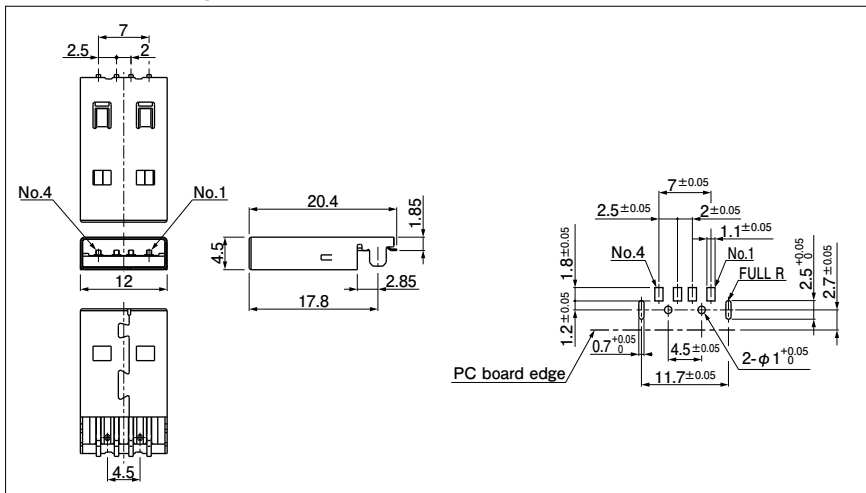
Model No.	Material and Finish	
UBBS-4R-D14-4D	Contact	Copper alloy, nickel-undercoated, selective gold-plated
	Housing	Thermoplastic resin, UL94V-0
	Shell	Copper alloy, nickel-undercoated, tin-plated

RoHS2 compliance This product displays (LF)(SN) on a label.

Note: Please contact JST for details as the dimensions shown in the above figure are reference values.

Plug type A SMT type

USB 2.0 certified product



Model No.	Material and Finish	
UBA-4P-S14E	Contact	Copper alloy, nickel-undercoated, selective gold-plated
	Housing	Thermoplastic resin, UL94V-0
	Shell	Copper alloy, nickel-undercoated, palladium-plated

RoHS2 compliance This product displays (LF)(SN) on a label.

Note: 1. Unlisted in UL/CSA.

2. Please contact JST for details as the dimensions shown in the figure on the left are reference values.

Part name	Model No.		Q'ty/box		
	Type A (TID No.)	Type B (TID No.)	Type A	Type B	
Plug	SMT type	UBA-4P-S14E (61001068)	—	5,580	
	Normal	UBA-4R-D14-4D (60000158)	—	250	
Receptacle	With solder tab	UBA-4R-D14T-4D (60000162)	UBB-4R-D14T-4D (60000457)	250	
	With upper flange	UBA-4R-D14C2-4D (60000163)	UBB-4R-D14C-4D (60000457)	250	
	Reverse	UBA-R4R-D14-4D (61000434)	—	250	
	Straight	UBAS-4R-D14D-4D (60000456)	UBBS-4R-D14-4D (60000468)	250	
	Vertical, normal	UBAL-4R-D14-4S (60000455)	—	350	
	Vertical, dual-row	UBAL-4RS-D14K-4S (60000455)	—	105	
	Double-stack	UBA-4RS-D14T-4D (60000434)	—	210	
	Double-stack with upper flange	UBA-4RS-D14C-4D (61000434)	—	210	
	SMT type	Without flange	UBA-4R-S14-4S (60000160)	—	250
		With side flange	UBA-4R-S14A-4S (60000171)	—	192
		With side flange Offset	UBA-4R-S14B-4S (60000172)	—	378
		With upper flange	UBA-4R-S14C-4S (60000174)	—	216
		FULL SMT	UBA-4R-S14HD-4S (60000434)	—	192
		Reverse	UBA-R4R-S14-4S (62000434)	—	250

Note: Thin gold-plated (Au Flash) product that is uncertified product (**10) is also available.