

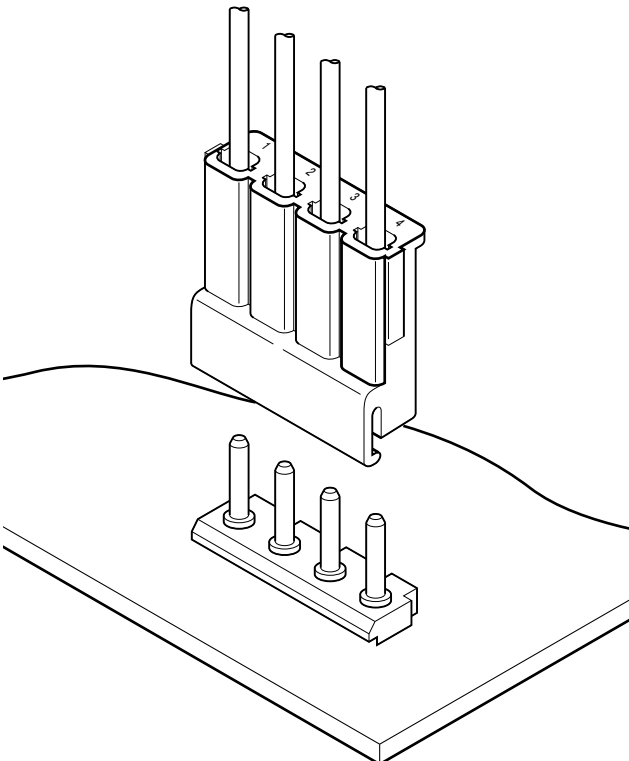
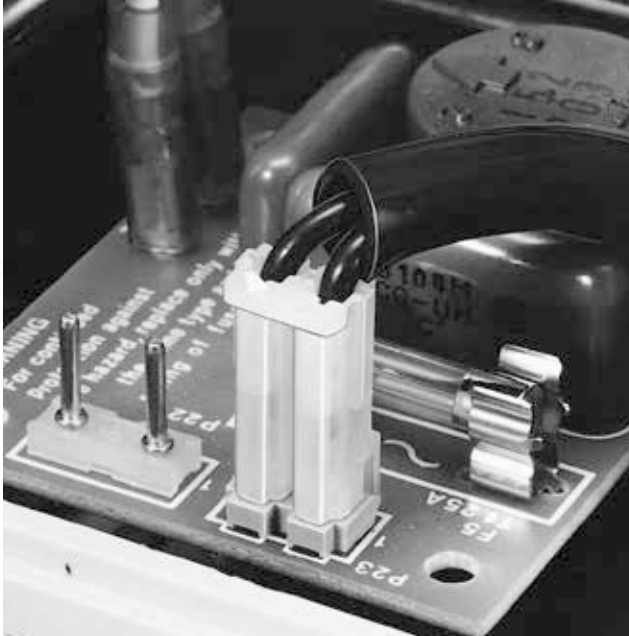
JST

Crimp

5.0mm  
pitch

# SV CONNECTOR

Disconnectable Crimp style connectors



## Features

### • Anti-misinsertion feature

The directional features of the housing prevent reverse contact insertion.

### • Locking mechanism

The housings with two or four circuits have locking mechanisms. This feature also provides polarization so that the housing cannot be mismatched with the header.

## Specifications

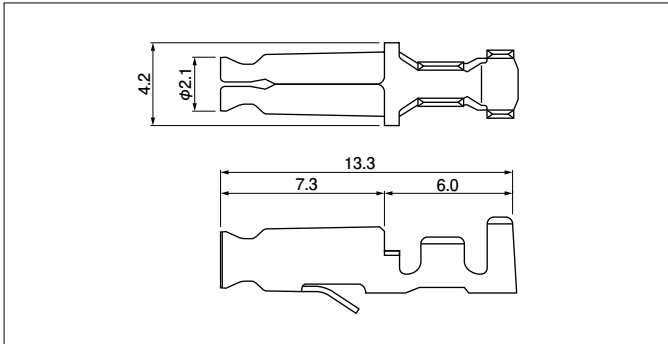
- Current rating: 5A AC, DC (AWG #20)
- Voltage rating: 250V AC, DC
- Temperature range: -25°C to +85°C  
(including temperature rise in applying electrical current)
- Contact resistance: Initial value/10mΩ max.  
After environmental testing/15mΩ max.
- Insulation resistance: 1,000MΩ min.
- Withstanding voltage: 1,500V AC/minute
- Applicable wire: AWG #24 to #20
- Applicable PC board thickness: 1.6mm
- \* Compliant with RoHS.
- \* Refer to "General Instruction and Notice when using Terminals and Connectors" at the end of this catalog.
- \* Contact JST for details.

## Standards

- Ⓜ Recognized E60389
- Ⓢ Certified LR20812
- Ⓡ R75171

# SV CONNECTOR

## Contact



Model No.	Applicable wire			Q'ty / reel
	mm <sup>2</sup>	AWG #	Insulation O.D. (mm)	
SVF-01T-1.5N	0.2 to 0.5	24 to 20	1.5 to 2.5	4,000

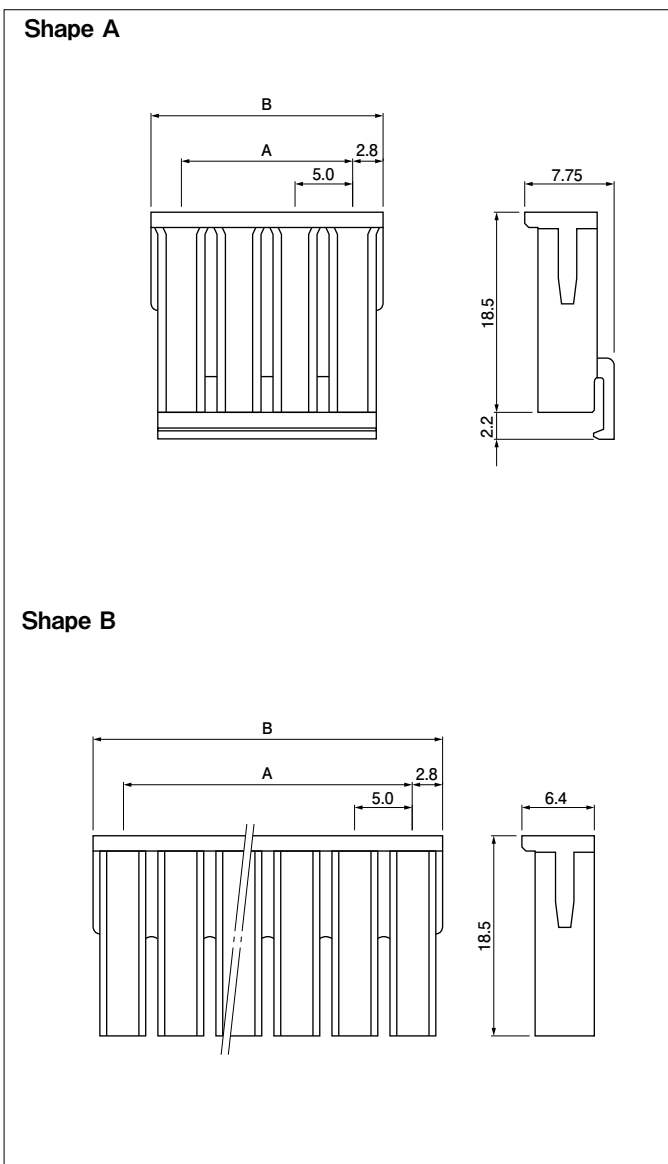
### Material and Finish

Brass, tin-plated (reflow treatment)

### RoHS compliance

Note: Contact JST for details if you require shielded wires, thin wires or other special wires, or if two wires must be crimped in one contact.

## Housing



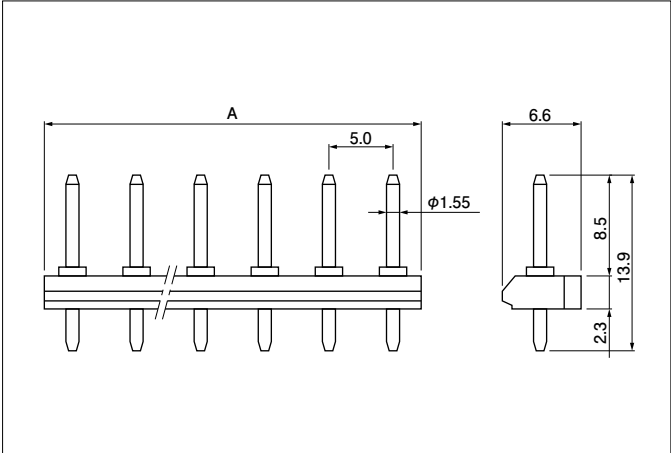
No. of circuits	Model No.	Shape	Dimensions (mm)		Q'ty / bag
			A	B	
2	S2P-SVF	A	5.0	10.6	1,000
4	S4P-SVF	A	15.0	20.6	500
6	S6P-SVF	B	25.0	30.6	500
8	S8P-SVF	B	35.0	40.6	200
10	S10P-SVF	B	45.0	50.6	200

### Material

PA 6, UL94V-2, natural (white)

### RoHS compliance

**Header**

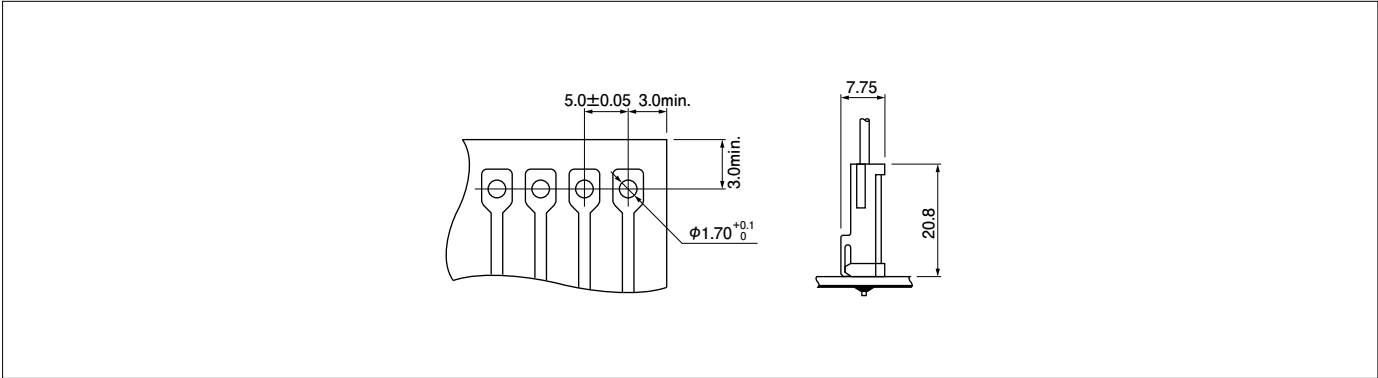


No. of circuits	Model No.	Dimension A (mm)	Q'ty / box
2	RTB-1.5-02F	10.0	1,000
4	RTB-1.5-04F	20.0	500
6	RTB-1.5-06F	30.0	250
8	RTB-1.5-08F	40.0	200
10	RTB-1.5-10F	50.0	100

**Material and Finish**  
 Post: Brass, nickel-undercoated, tin/copper alloy-plated  
 Wafer: Glass filled PA 66, UL94V-0, natural (ivory)

**RoHS compliance** This product displays (LF) on a label.

**PC board layout (viewed from soldering side) and Assembly layout**



- Note:**
1. Tolerances are non-cumulative:  $\pm 0.05\text{mm}$  for all centers.
  2. Hole dimensions differ according to the type of PC board and piercing method. The dimensions above should serve as a guideline. Contact JST for details.

# SV CONNECTOR

## Model number allocation

### Contact

**SVF - 01 T - 1.5N**

Form: S...Strip form, L...Loose piece

Series name

Shape: F...Socket contact

Applicable wire range: AWG #24 to #20

Surface finish: T...Tin-plated (reflow treatment)

Terminal size

Supplementary symbol

### Housing

**S2P - SVF**

No. of circuits: 2, 4, 6, 8, 10

Part name: Plug

Series name

### Header

**RTB - 1.5 - 02F**

Series name

Post diameter: 1.55 mm

No. of circuits: 2, 4, 6, 8, 10

Supplementary symbol

## Crimping machine, Applicator

Contact	Crimping machine	Applicator		
		Crimp applicator	Dies	Crimp applicator with dies
SVF-01T-1.5N	AP-K2N	MKS-L	MK/SVF-01-15N	APLMK SVF01-15N

Note: Contact JST for fully automatic crimping applicator.