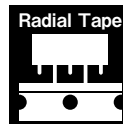
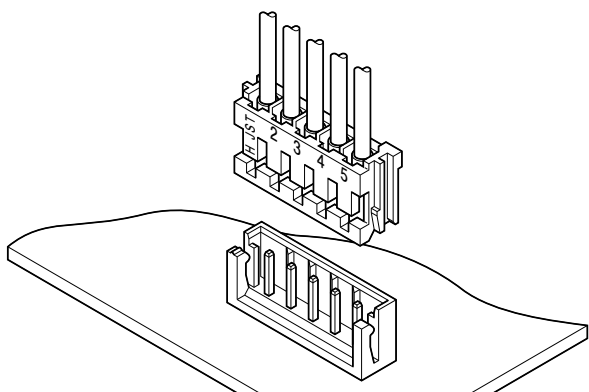


EH CONNECTOR



2.5 mm pitch/Disconnectable Crimp style connectors



This, the thinnest, 2.5 mm pitch connector, is 8.1 mm in height after mounting and 3.8 mm in width. It is designed to meet the demand for the high-density connection of internal wires to printed circuit boards. It is compact, highly reliable and low in cost.

- Compact and slim
- Highly reliable contact
- Polarizing guides
- Easy and effective crimping

Specifications

- Current rating: 3 A AC/DC (AWG #22)
- Voltage rating: 250 V AC/DC
- Temperature range: -25°C to +85°C
(including temperature rise in applying electrical current)
- Contact resistance: Initial value/ 10 mΩ max.
After environmental tests/ 20 mΩ max.
- Insulation resistance: 1,000 MΩ min.
- Withstanding voltage: 800 VAC/minute
- Applicable wire: AWG #32 to #22
- Applicable PC board thickness: 0.8 to 1.6 mm

* In using the products, refer to "Handling Precautions for Terminals and Connectors" described on our website (Technical documents of Product information page).

* RoHS2 compliance

* Dimensional unit: mm

* Contact JST for details.

Standards

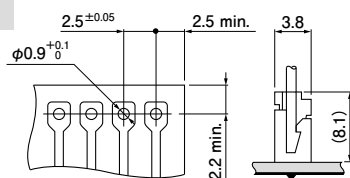
Recognized E60389

Certified LR20812

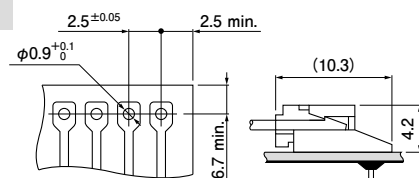
R50082349

PC board layout and Assembly layout

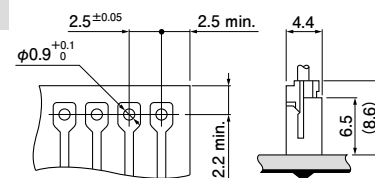
Top entry type



Side entry type



Radial-tape

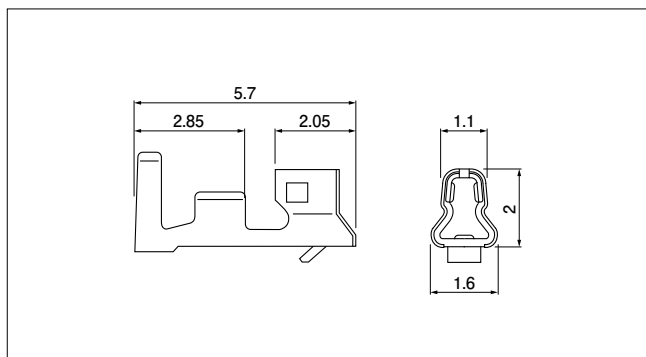


Note: 1. The above figure is the figure viewed from soldering side.

2. Tolerances are non-cumulative: ± 0.05 mm for all centers.

3. Hole dimension differ according to the type of PC board and piercing method. If PC boards made of hard material are used, the hole dimensions should be larger. The dimensions above should serve as a guideline. Contact JST for details.

Contact



| Model No. | Applicable wire | | Insulation O.D. (mm) | Q'ty/reel |
|-----------------|-----------------|----------|----------------------|-----------|
| | mm ² | AWG # | | |
| SEH-001T-P0.6 | 0.05 to 0.33 | 30 to 22 | 1.0 to 1.9 | 9,000 |
| *SEH-001T-P0.6L | 0.13 to 0.33 | 26 to 22 | 0.9 to 1.9 | |
| *SEH-002T-P0.6L | 0.05 to 0.13 | 30 to 26 | 0.9 to 1.3 | 10,000 |
| *SEH-003T-P0.6L | 0.032 to 0.08 | 32 to 28 | 0.5 to 1.1 | |

Material and Finish

Phosphor bronze, tin-plated (reflow treatment)

RoHS2 compliance

Note: 1. Contact JST for gold-plated products.

2. SEH-00 () T-P0.6L is low-insertion force type contact, for easier insertion/withdrawal, which would be less resistant to the vibration. The crimp height is different from the standard contact.

3. *Marked products are not TÜV approved.

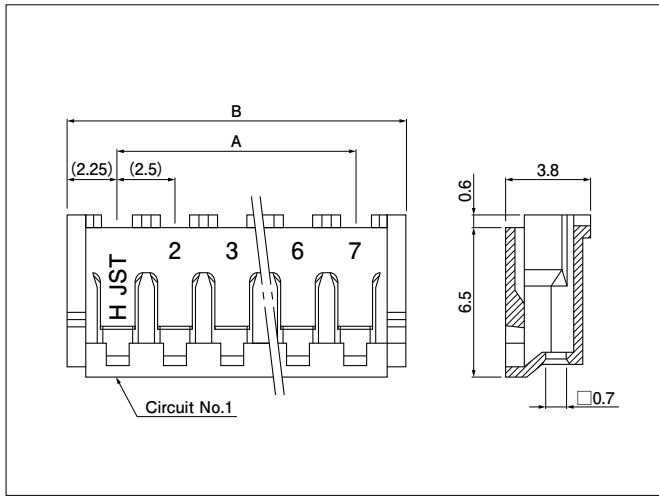
4. Contact JST for details.

| Contact | Crimping machine | Applicator | | |
|----------------|------------------|------------------|------------------|----------------------------|
| | | Crimp applicator | Dies | Crimp applicator with dies |
| SEH-001T-P0.6 | AP-K2N | MKS-L | MK/SEH-001-06 | APLMK SEH001-06 |
| SEH-001T-P0.6L | | | MK/SEH-001-06L | APLMK SEH001-06L |
| SEH-002T-P0.6L | | MK/SEH-002-06L | APLMK SEH002-06L | |
| SEH-003T-P0.6L | | MKS-L-10 | MK/SEH-003-06L | APLMK SEH003-06L |

Note: Contact JST for fully automatic crimping applicator.

EH CONNECTOR

Housing



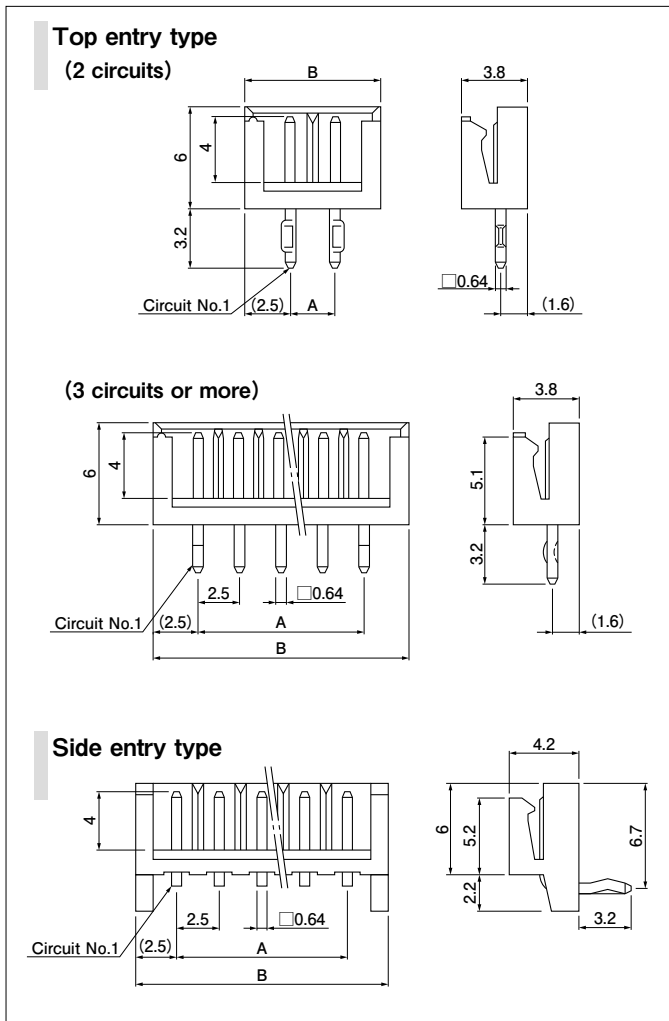
| No. of circuits | Model No. | Dimensions (mm) | | Q'ty/bag |
|-----------------|-----------|-----------------|------|----------|
| | | A | B | |
| 2 | EHR-2 | 2.5 | 7.0 | 1,000 |
| 3 | EHR-3 | 5.0 | 9.5 | 1,000 |
| 4 | EHR-4 | 7.5 | 12.0 | 1,000 |
| 5 | EHR-5 | 10.0 | 14.5 | 1,000 |
| 6 | EHR-6 | 12.5 | 17.0 | 1,000 |
| 7 | EHR-7 | 15.0 | 19.5 | 1,000 |
| 8 | EHR-8 | 17.5 | 22.0 | 1,000 |
| 9 | EHR-9 | 20.0 | 24.5 | 1,000 |
| 10 | EHR-10 | 22.5 | 27.0 | 1,000 |
| 11 | EHR-11 | 25.0 | 29.5 | 1,000 |
| 12 | EHR-12 | 27.5 | 32.0 | 1,000 |
| 13 | EHR-13 | 30.0 | 34.5 | 1,000 |
| 14 | EHR-14 | 32.5 | 37.0 | 1,000 |
| 15 | EHR-15 | 35.0 | 39.5 | 1,000 |

Material and Finish

PA 66, UL94V-0, natural (white)

RoHS2 compliance

Header



| No. of circuits | Model No. | | Dimensions (mm) | | Q'ty/box | |
|-----------------|----------------|-----------------|-----------------|------|----------------|-----------------|
| | Top entry type | Side entry type | A | B | Top entry type | Side entry type |
| 2 | B2B-EH | S2B-EH | 2.5 | 7.5 | 1,000 | 1,000 |
| 3 | B3B-EH | S3B-EH | 5.0 | 10.0 | 1,000 | 1,000 |
| 4 | B4B-EH | S4B-EH | 7.5 | 12.5 | 1,000 | 1,000 |
| 5 | B5B-EH | S5B-EH | 10.0 | 15.0 | 1,000 | 1,000 |
| 6 | B6B-EH | S6B-EH | 12.5 | 17.5 | 1,000 | 500 |
| 7 | B7B-EH | S7B-EH | 15.0 | 20.0 | 1,000 | 500 |
| 8 | B8B-EH | S8B-EH | 17.5 | 22.5 | 500 | 500 |
| 9 | B9B-EH | S9B-EH | 20.0 | 25.0 | 500 | 500 |
| 10 | B10B-EH | S10B-EH | 22.5 | 27.5 | 500 | 500 |
| 11 | B11B-EH | S11B-EH | 25.0 | 30.0 | 500 | 250 |
| 12 | B12B-EH | S12B-EH | 27.5 | 32.5 | 500 | 250 |
| 13 | B13B-EH | S13B-EH | 30.0 | 35.0 | 250 | 250 |
| 14 | B14B-EH | S14B-EH | 32.5 | 37.5 | 250 | 250 |
| 15 | B15B-EH | S15B-EH | 35.0 | 40.0 | 250 | 250 |

Material and Finish

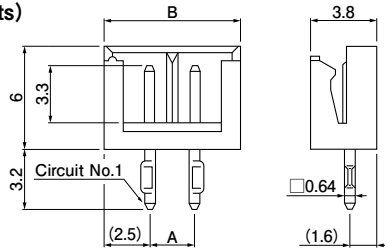
Post: Brass, copper-undercoated, tin-plated (reflow treatment)

Wafer: PA 66, UL94V-0, natural (white)

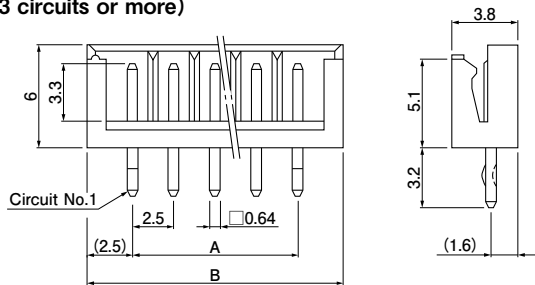
RoHS2 compliance This product displays (LF)(SN) on a label.

Header

● EH-A header (2 circuits)



(3 circuits or more)



| No. of circuits | Model No. | Dimensions (mm) | | Q'ty/box |
|-----------------|-----------|-----------------|------|----------|
| | | A | B | |
| 2 | B2B-EH-A | 2.5 | 7.5 | 1,000 |
| 3 | B3B-EH-A | 5.0 | 10.0 | 1,000 |
| 4 | B4B-EH-A | 7.5 | 12.5 | 1,000 |
| 5 | B5B-EH-A | 10.0 | 15.0 | 1,000 |
| 6 | B6B-EH-A | 12.5 | 17.5 | 1,000 |
| 7 | B7B-EH-A | 15.0 | 20.0 | 1,000 |
| 8 | B8B-EH-A | 17.5 | 22.5 | 500 |
| 9 | B9B-EH-A | 20.0 | 25.0 | 500 |
| 10 | B10B-EH-A | 22.5 | 27.5 | 500 |
| 11 | B11B-EH-A | 25.0 | 30.0 | 500 |
| 12 | B12B-EH-A | 27.5 | 32.5 | 500 |
| 13 | B13B-EH-A | 30.0 | 35.0 | 250 |
| 14 | B14B-EH-A | 32.5 | 37.5 | 250 |
| 15 | B15B-EH-A | 35.0 | 40.0 | 250 |

Material and Finish

Post: Brass, copper-undercoated, tin-plated (reflow treatment)
Wafer: PA 66, UL94V-0, natural (white)

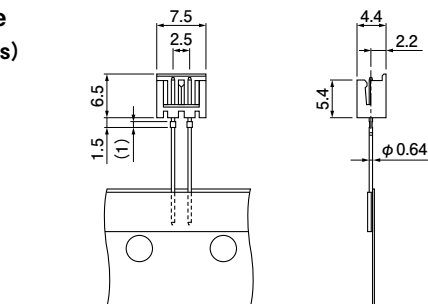
RoHS2 compliance This product displays (LF)(SN) on a label.

Note: 1. The length of the post is different between the EH-A header and the EH header.

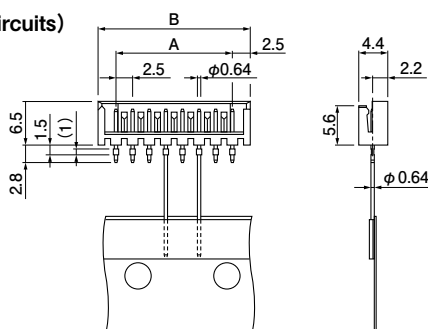
2. The EH-A header has a post length of 3.3 mm on the header, and it provides easy insertion operation when mating with socket.

Header on radial-tape

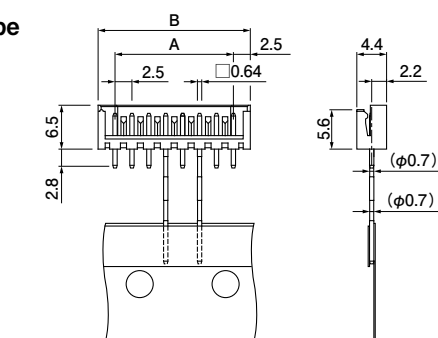
● TS type (2 circuits)



(3 to 8 circuits)



● TV4 type



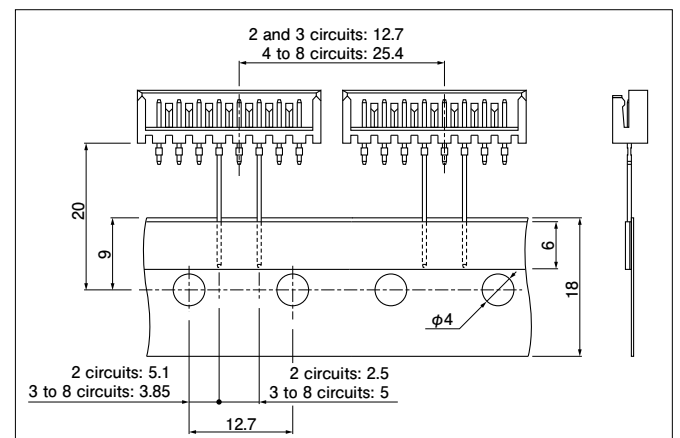
| No. of circuits | Model No. | | Dimensions (mm) | | Q'ty/box |
|-----------------|-----------|------------|-----------------|------|----------|
| | TS type | TV4 type | A | B | |
| 2 | B2B-EH-TS | — | — | — | 1,400 |
| 3 | B3B-EH-TS | B3B-EH-TV4 | 5.0 | 10.0 | 1,400 |
| 4 | B4B-EH-TS | B4B-EH-TV4 | 7.5 | 12.5 | 700 |
| 5 | B5B-EH-TS | B5B-EH-TV4 | 10.0 | 15.0 | 700 |
| 6 | B6B-EH-TS | B6B-EH-TV4 | 12.5 | 17.5 | 700 |
| 7 | B7B-EH-TS | B7B-EH-TV4 | 15.0 | 20.0 | 700 |
| 8 | B8B-EH-TS | B8B-EH-TV4 | 17.5 | 22.5 | 700 |

Material and Finish

Pin/Post: Brass, copper-undercoated, tin-plated (reflow treatment)
Wafer: PA 66, UL94V-0, natural (white)

RoHS2 compliance This product displays (LF)(SN) on a label.

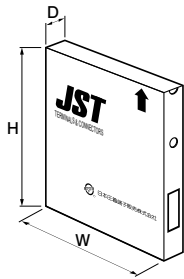
Taping specifications



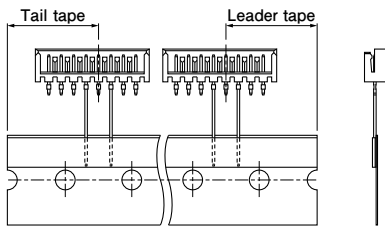
Note: Conforms to JIC C 0806 of "Tape packaging of components with unidirectional leads on continuous tapes".

EH CONNECTOR

Packaging specifications



Distance between the end of the tape and the first connector's center line (either end)



| | | |
|---|---------------------------------------|----------------|
| Package type | Flat pack (zigzag folded) | |
| Distance between folds | 24 indexing holes per fold (304.8 mm) | |
| Box size | 316 (W) × 45 (D) × 330 (H) mm | |
| Distance between the end of the tape and the first connector's center line (either end) | 19.05 mm | |
| Quantity | 2, 3 circuits | 1,400 pcs./box |
| | 4 to 8 circuits | 700 pcs./box |

Note: Products of different packaging specifications are also available. Contact JST for details.

Model number allocation

Contact

S EH - 001 T - P 0.6

Form: S...Strip form, B...Loose piece

Series name

Applicable wire range:
 Normal type 001...AWG #30 to #22
 Low insertion force type 001...AWG #26 to #22
 002...AWG #30 to #26
 003...AWG #32 to #28

Surface finish: T...Tin-plated (reflow treatment)

Material: P...Phosphor bronze

Terminal size

Type name: None...Normal type, N...Low insertion force type

Housing

EH R - 2 -

Series name

Part name: Receptacle

No. of circuits: 2 to 15

Color: None...Natural (White), K...Black, R...Red, TR...Tomato red,
 E...Blue, Y...Yellow, L...Lemon yellow, M...Green, O...Orange,
 N...Brown, PL...Purple, PK...Pink, H...Gray, LE...Light blue,
 FY...Fluorescent yellow

Header

B 2 B - EH -

Shape of assembled product:
 B...Top entry type, S...Side entry type

No. of circuits: 2 to 15

Part name: Header

Series name

Lead length: None...3.2 mm, 2.2...2.2 mm

Color: None...Natural (White), K...Black, R...Red, TR...Tomato red,
 E...Blue, Y...Yellow, L...Lemon yellow, M...Green, O...Orange,
 N...Brown, P...Purple, PK...Pink, H...Gray, LE...Light blue,
 FY...Fluorescent yellow

Header

B 2 B - EH - A -

Shape of assembled product: B...Top entry type

No. of circuits: 2 to 15

Part name: Header

Series name

Post length: A...3.3 mm

Color: None...Natural (White), K...Black, R...Red, E...Blue,
 Y...Yellow, M...Green

Header (Pin/Post) on radial-tape

B 2 B - EH - T S -

Shape of assembled product: B...Top entry type

No. of circuits: 2 to 8

Part name: Header

Series name

Packaging style: T...Radial-taping

Taping Pin/Post specifications:
 S...Whole post/pin has a round cross section
 V4...Make the square post/pin partially round cross section

Color: None...Natural (White), K...Black, R...Red, E...Blue, Y...Yellow,
 M...Green, N...Brown