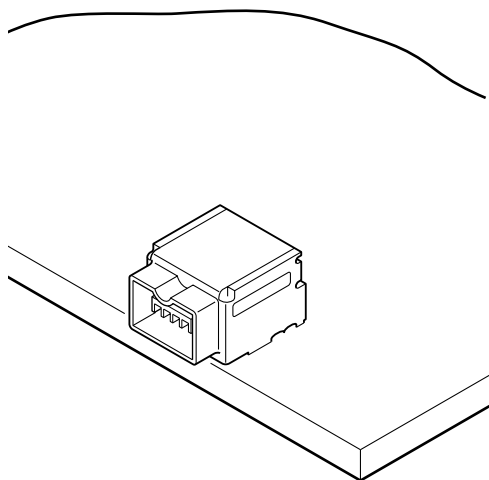




# RV CONNECTOR

High-speed serial interface connectors



Conforming to the IEEE 1394 standards (4P), the RV connector is a high-speed serial interface connector designed for use in PCs and consumer electronic equipment.

- A variety of receptacles are available
- Compact

## Specifications

- Current rating: 0.3 A AC, DC
- Voltage rating: 30 V AC, DC
- Temperature range: -40°C to +85°C  
(including temperature rise in applying electrical current)
- Contact resistance: Initial value/ 50 mΩ max.  
After environmental tests/ 30 mΩ max.  
(variation from initial value)
- Insulation resistance: 100 MΩ min.
- Withstanding voltage: 100 VAC/minute
- Applicable PC board thickness: 0.8, 1.6 mm

\* In using the products, refer to "Handling Precaution for Terminal and Connector" described on our website (Technical documents of Product information page).

\* Contact JST for details.

\* RoHS2 compliance

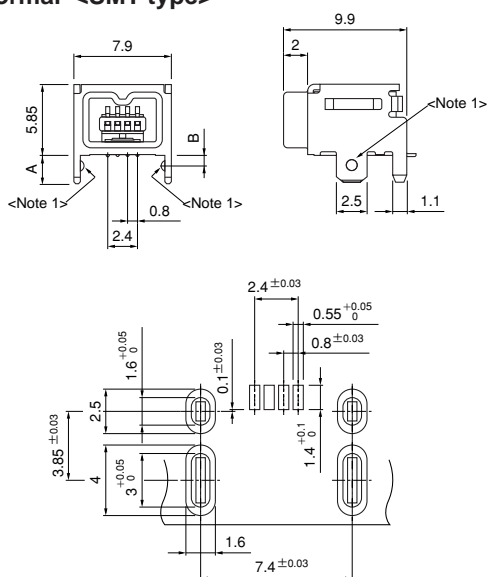
## Standards

Recognized E60389

Certified LR20812

## Receptacle

### Normal <SMT type>



Model No.	Material and Finish	
RV-SS4G-N-B( )	Housing	PPS, UL94V-0
	Contact	Copper alloy, overall nickel-undercoated, Mating part; gold-plated Solder tail; tin-plated (reflow treatment)
	Shell cover	Copper alloy, copper-undercoated, nickel-plated
	Shell	Mild steel, nickel-undercoated, tin-plated

**RoHS2 compliance** This product displays (LF)(SN) on a label.

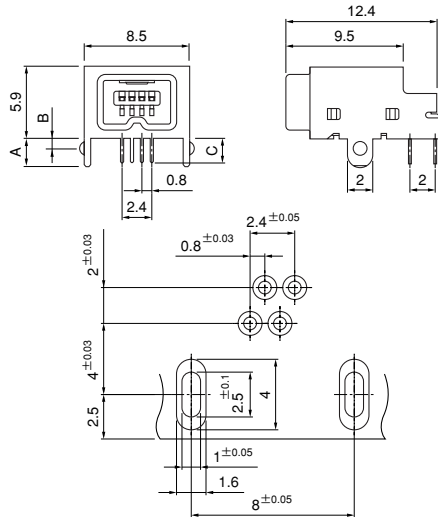
Note: Model No. : ( ) denotes the applicable PC board thickness.

e.g.) PC board thickness: 0.8 mm RV-SS4G-N-B08

Type	Applicable PC board thickness (mm)	Dimensions (mm)	
		A	B
Normal type	0.8	2.15	0.8
	1.6	2.45	1.6

## Receptacle

### Reverse <Through-hole type>

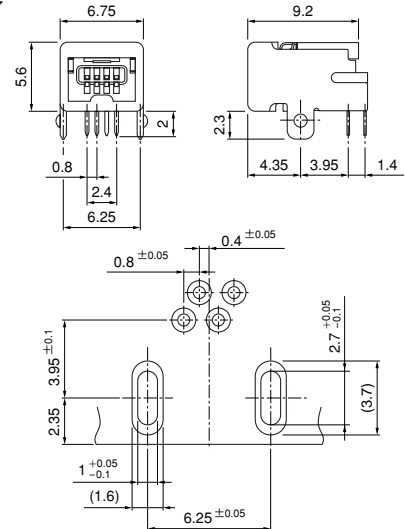


Model No.	Material and Finish	
RV-SS4D-R-A( )	Housing	PBT, UL94V-0
	Contact	Copper alloy, overall nickel-undercoated, Mating part; gold-plated Solder tail; tin-plated (reflow treatment)
	Shell cover	Copper alloy, copper-undercoated, nickel-plated
	Shell	Mild steel, nickel-undercoated, tin/copper alloy-plated

**RoHS2 compliance** This product displays (LF)(SN) on a label.  
 Note: Model No. : ( ) denotes the applicable PC board thickness.  
 e.g.) PC board thickness: 0.8 mm RV-SS4D-R-A08

Type	Applicable PC board thickness (mm)	Dimensions (mm)		
		A	B	C
Reverse type	0.8	2.3	0.8	2.0
	1.6	3.1	1.6	2.8

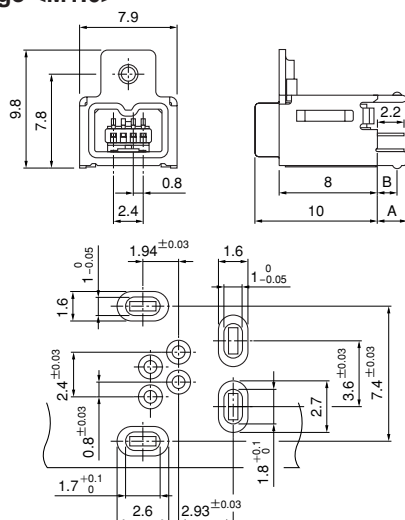
### Reverse <Through-hole type> Small type



Model No.	Material and Finish	
RV-SS4D-RS-H08-1	Housing	PA 9T
	Contact	Copper alloy, overall nickel-undercoated, Mating part; gold-plated Solder tail; tin-plated
	Shell cover	Copper alloy, nickel-undercoated, tin-plated
	Shell	Mild steel, tin-plated (reflow treatment)

**RoHS2 compliance** This product displays (LF) on a label.  
 Applicable PC board thickness: 0.8 mm

### Top entry <Through-hole type> with flange <M1.6>



Model No.	Material and Finish	
RV-ST4D-F16N-D08	Housing	PPS, UL94V-0
	Contact	Copper alloy, overall nickel-undercoated, Mating part; gold-plated Solder tail; tin-plated (reflow treatment)
	Shell cover	Copper alloy, copper-undercoated, nickel-plated
	Shell	Mild steel, nickel-undercoated, tin/copper alloy-plated

**RoHS2 compliance** This product displays (LF)(SN) on a label.  
 Applicable PC board thickness: 0.8 mm