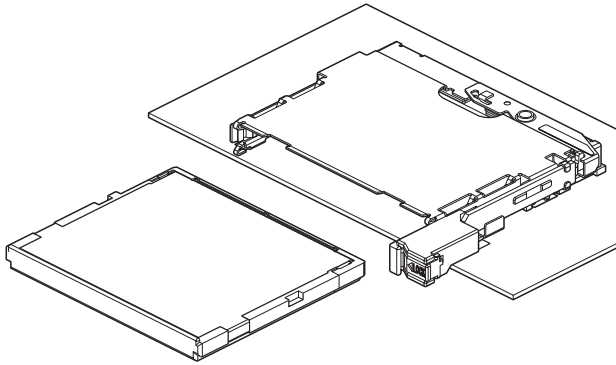


CFF CONNECTOR

1.27 mm pitch/Connector for CFast™ Card Standard



This is the connector for CFast™ Card complying with CFast™ Specification.

- Compliant with CFast™ Card Standard
- Stable transmission characteristic
- Card connector with GND spring
- Ejector with slide lock

■ Specifications

- Temperature range: -40°C to +85°C
(including temperature rise in applying electrical current)
- Contact resistance: Initial value/ 30 mΩ max.
After environmental tests/ 15 mΩ max.
(variation from initial value)
- Insulation resistance: 1,000 MΩ min. 500 VDC
- Withstanding voltage: 500 VAC/minute
- Durability: 10,000 cycles

* In using the products, refer to "Handling Precautions for Terminals and Connectors" described on our website (Technical documents of Product information page).

* RoHS2 compliance

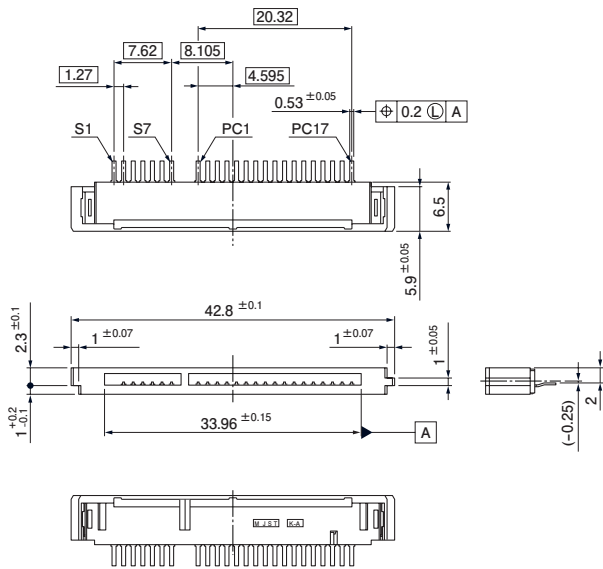
* Dimensional unit: mm

* Contact JST for details.

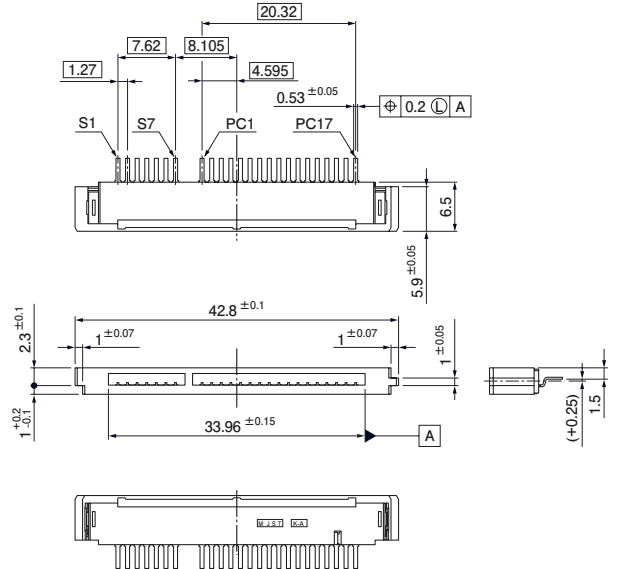
CFF CONNECTOR

Card connector

● Offset -0.25 mm (With GND spring)



● Offset +0.25 mm (With GND spring)

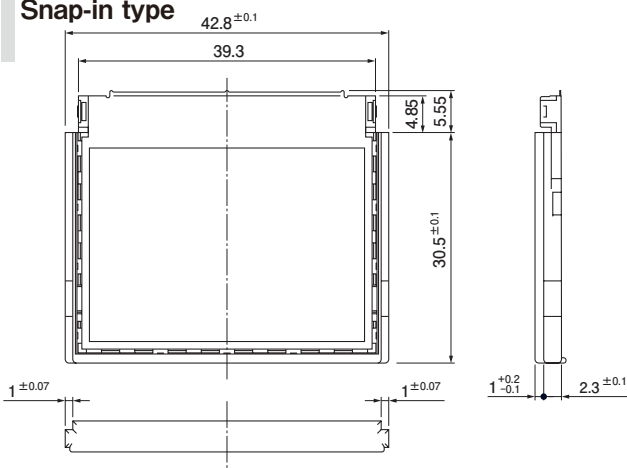


No. of circuits	Offset dimensions	GND spring	Model No.	Q'ty /reel	Material and Finish
24	-0.25 mm	With	CFF-CC24S-1521-GB25T	1,500	Contact: Copper alloy, nickel-undercoated, Mating part: gold-plated Solder tail: tin-plated (reflow treatment) Grounding spring: Copper alloy, nickel-undercoated, Mating part: gold-plated Housing: Plastic, UL94V-0, black
	+0.25 mm	With	CFF-CC24S-1521-GT25T	1,500	

RoHS2 compliance This product displays (LF) (SN) on a label.

Top cover for Type I card

Snap-in type



Type	Model No.	Q'ty/box
Snap-in type	CFF-FT1S-11FM	1,344

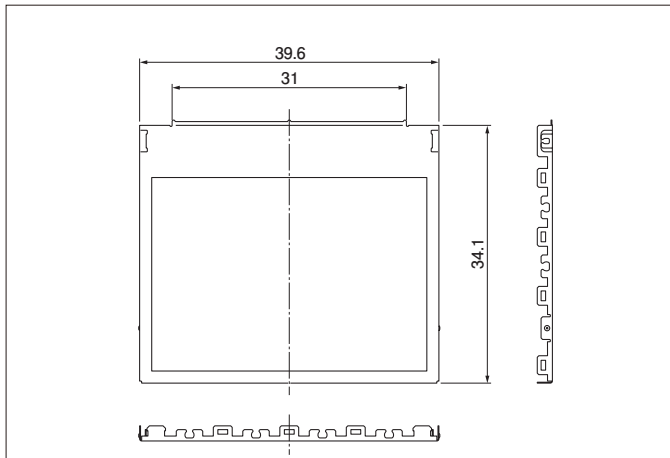
Material and Finish

Top cover : Stainless steel, Insulated film: PET
Frame: Plastic, UL94V-0, black

RoHS2 compliance

CFF CONNECTOR

Bottom cover



Type	Model No.	Q'ty/box
Snap-in type	CFF-FBU-12FM	1,344

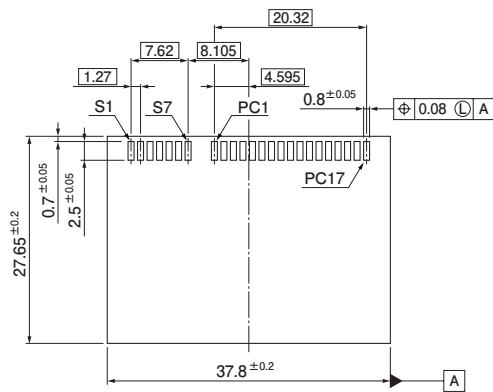
Material and Finish

Top cover : Stainless steel
Insulated film: PET

RoHS2 compliance

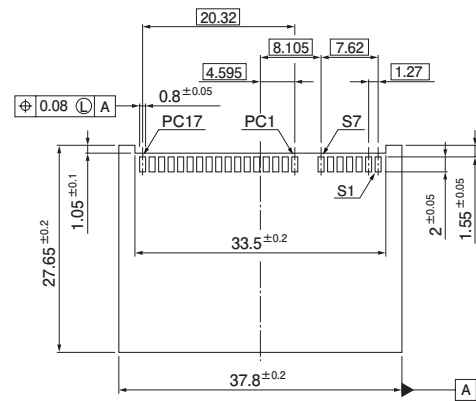
Card connector PC board layout

● Offset -0.25 mm



Bottom cover side

● Offset +0.25 mm

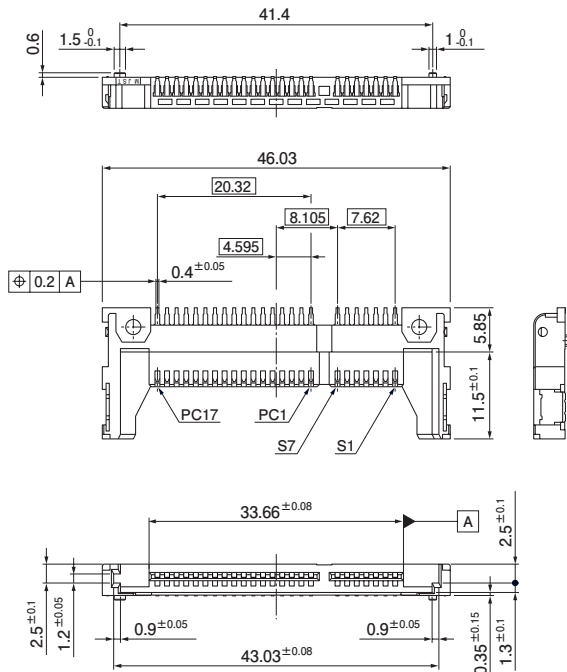


Top cover side

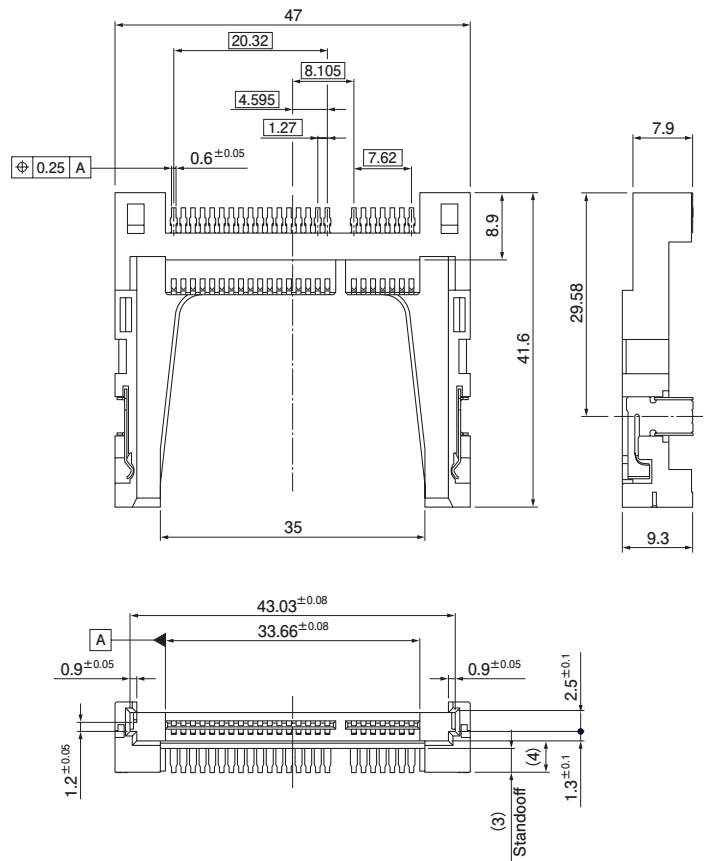
Host connector

Normal type

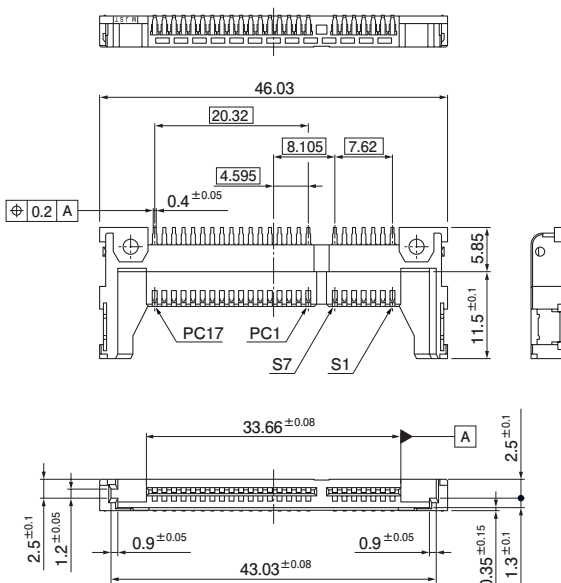
● Standoff 0 mm (With boss)



● Standoff 3 mm (Without boss)



● Standoff 0 mm (Without boss)



No. of circuits	Standoff	Boss	Model No.	Q'ty	Material and Finish
24	0 mm	With	CFF-HC24S-S352-N120T	700 (reel)	Contact: Copper alloy, nickel-undercoated, Mating part: gold-plated Solder tail: tin-plated (reflow treatment) Reinforcing: Copper alloy, nickel-undercoated, tin-plated (reflow treatment) Housing: Plastic, UL94V-0, black
		With	CFF-HC24S-S352-N120T1	100 (reel)	
	3 mm	Without	CFF-HC24S-S352-N130T	700 (reel)	
		Without	CFF-HC24SG-S352-N133A	480 (box)	
			CFF-HC24SG-S352-N133AR1	75 (box)	

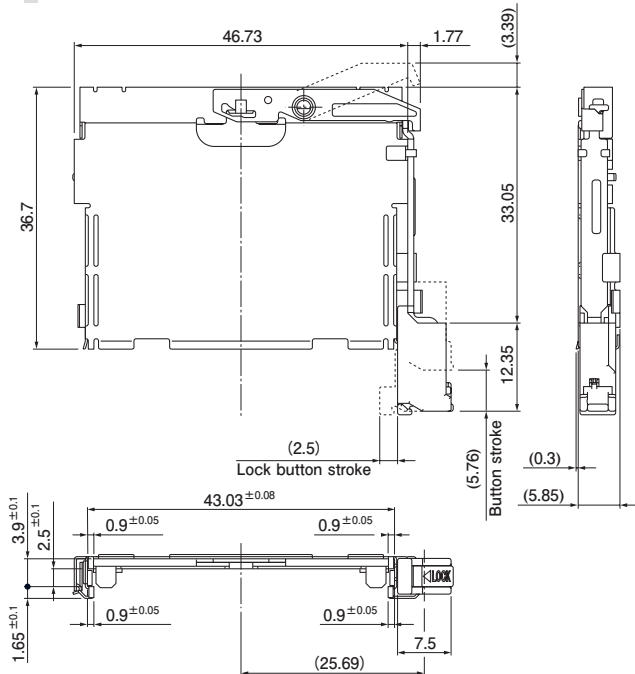
RoHS2 compliance This product displays (LF) (SN) on a label.

CFF CONNECTOR

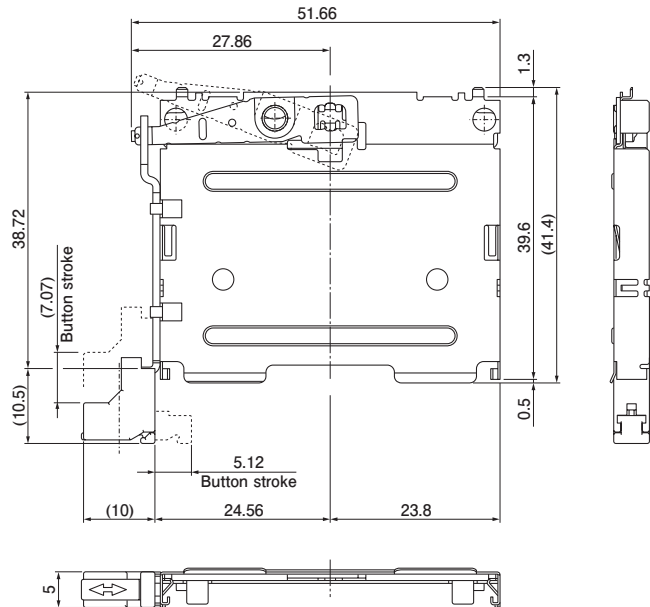
Ejector

Normal type

● Standoff 0 mm



● Standoff 3 mm

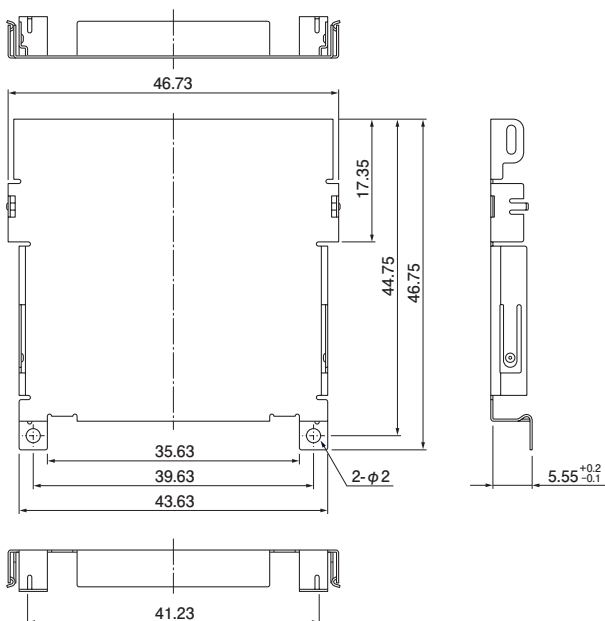


Standoff	Button position	Model No.	Q'ty/box	Material and Finish
0 mm	Right button	CFF-EP2R-NS11B	630	Frame: Stainless steel Standoff 0 mm type: Solder tail: tin-plated (reflow treatment) Push button: Plastic, UL94HB, black Lock button: Plastic, UL94HB, gray
		CFF-EP2R-NS11BR1	105	
3 mm	Left button	CFF-EP2L-NL10B	528	
		CFF-EP2L-NL10BR1	96	

RoHS2 compliance Standoff 0 mm type product displays (LF) (SN) on a label.

Hold cover

Normal type



Standoff	GND spring	Model No.	Q'ty/box
0 mm	With	CFF-NE2-NS1CR1	120

Material and Finish

Frame: Stainless steel

RoHS2 compliance

