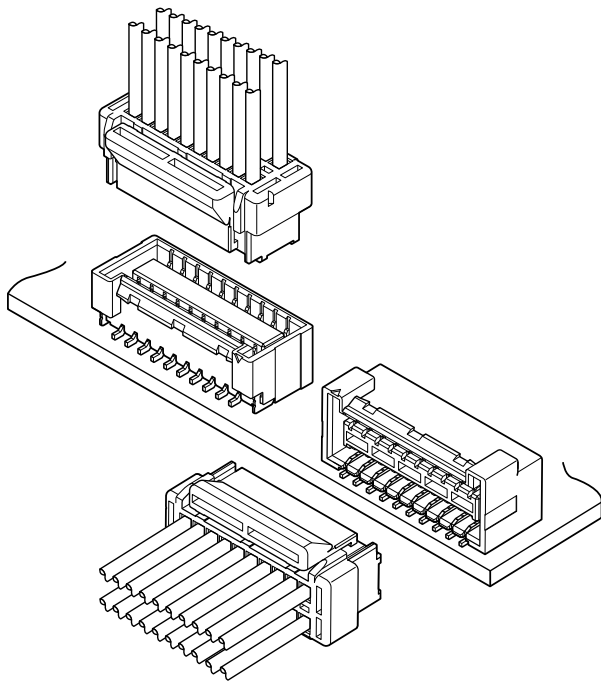




ZPD CONNECTOR

1.5 mm pitch/Disconnectable Crimp style connectors



In order to correspond to the high-density PC board designing, this ZPD connector is designed as 1.5 mm pitch dual-row type connector with secure locking device. Low insertion force is realized and good mating feeling is also prepared, and these provide the certain mating operation.

- Secure locking structure
- Low insertion force
- Suction area for picking up
- Improvement of engagement with prying

Specifications

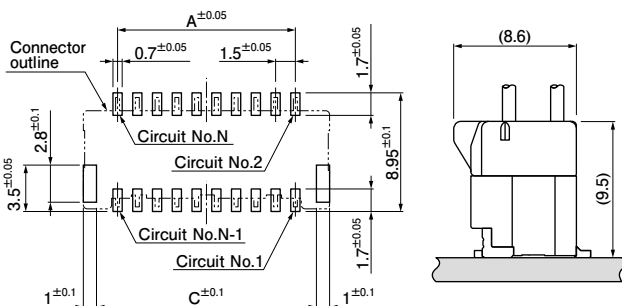
- Current rating: 2 A/ 10 to 30 circuits AC/DC (AWG #24)
1.5 A/ 32 to 40 circuits AC/DC (AWG #24)
- Voltage rating: 100 V AC/DC
- Temperature range: -25°C to +85°C
(including temperature rise in applying electrical current)
- Contact resistance: Initial value/ 30 mΩ max.
After environmental tests/ 60 mΩ max.
- Insulation resistance: 500 MΩ min.
- Withstanding voltage: 500 VAC/minute
- Applicable wire: Conductor size/ AWG #28 to #24
Insulation O.D./ 0.76 to 1.2 mm

* In using the products, refer to "Handling Precautions for Terminals and Connectors" described on our website (Technical documents of Product information page).

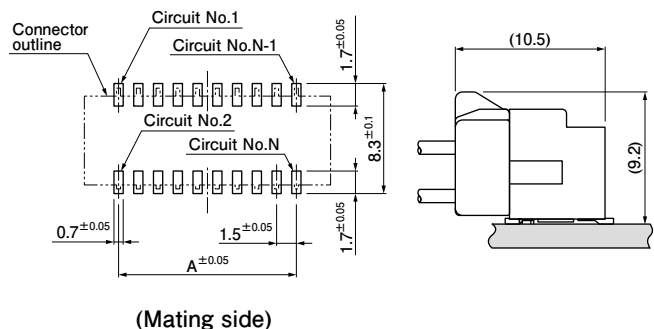
- * RoHS2 compliance
- * Dimensional unit: mm
- * Contact JST for details.

PC board layout and Assembly layout

Top entry type



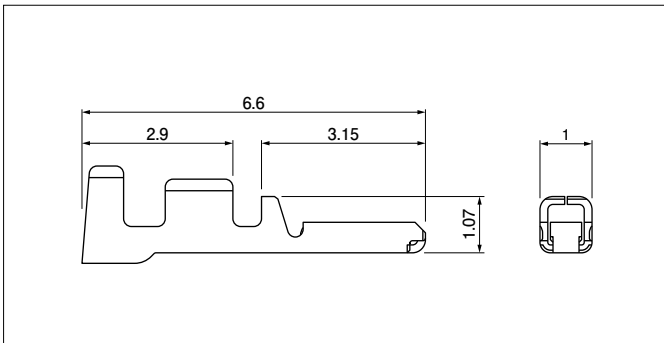
Side entry type



- Note: 1. The above figure is the figure viewed from the connector mounting side.
2. Tolerances are non-cumulative: ± 0.05 mm for all centers.
3. The dimensions above should serve as a guideline. Contact JST for details.

ZPD CONNECTOR

Contact



Model No.	Applicable wire		Insulation O.D. (mm)	Q'ty/reel
	mm ²	AWG #		
SZPD-002T-P0.3	0.08 to 0.21	28 to 24	0.76 to 1.2	16,000

Material and Finish

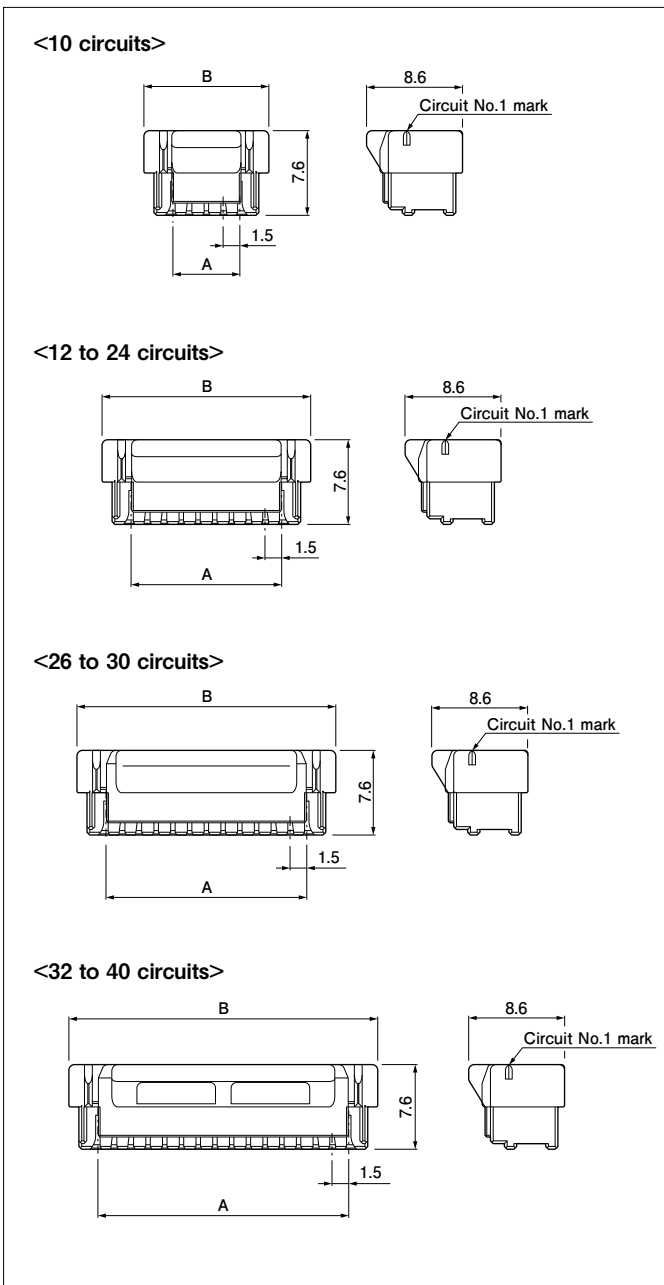
Copper alloy, tin-plated (reflow treatment)

RoHS2 compliance

Contact	Crimping machine	Applicator		
		Crimp applicator	Dies	Crimp applicator with dies
SZPD-002T-P0.3	AP-K2N	MKS-L	MK/SZE-002-03	APLMK SZE002-03

Note: Contact JST for fully automatic crimping applicator.

Housing



No. of circuits	Model No.	Dimensions (mm)		Q'ty/bag
		A	B	
10	ZPDR-10V-S	6.0	11.2	1,000
12	ZPDR-12V-S	7.5	12.7	1,000
14	ZPDR-14V-S	9.0	14.2	1,000
16	ZPDR-16V-S	10.5	15.7	1,000
18	ZPDR-18V-S	12.0	17.2	1,000
20	ZPDR-20V-S	13.5	18.7	1,000
22	ZPDR-22V-S	15.0	20.2	1,000
24	ZPDR-24V-S	16.5	21.7	1,000
26	ZPDR-26V-S	18.0	23.2	1,000
28	ZPDR-28V-S	19.5	24.7	500
30	ZPDR-30V-S	21.0	26.2	500
32	ZPDR-32V-1-Z	22.5	27.7	500
34	ZPDR-34V-1-Z	24.0	29.2	500
36	ZPDR-36V-1-Z	25.5	30.7	500
38	ZPDR-38V-1-Z	27.0	32.2	500
40	ZPDR-40V-1-Z	28.5	33.7	500

Material and Finish

PBT, UL94V-0, natural (10 to 30 circuits), ivory (32 to 40 circuits)

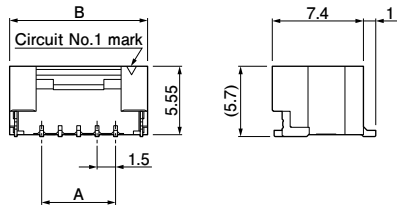
RoHS2 compliance

ZPD CONNECTOR

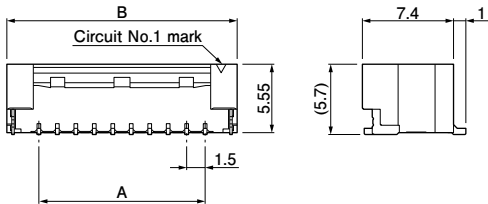
Header

Top entry type

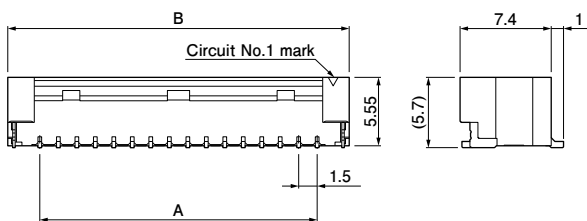
<10 circuits>



<12 to 30 circuits>

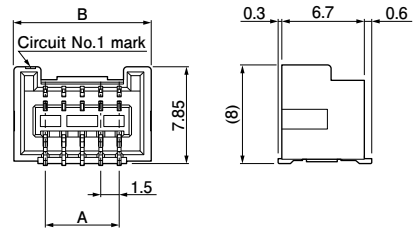


<32 to 40 circuits>

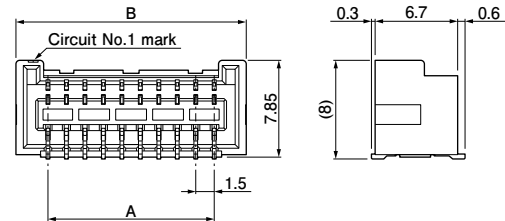


Side entry type

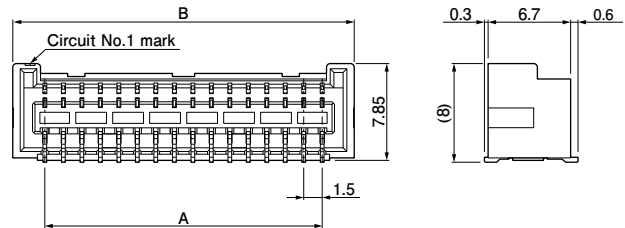
<10 circuits>



<12 to 30 circuits>



<32 to 40 circuits>



Top entry type

No. of circuits	Model No.	Dimensions (mm)			Q'ty/reel
		A	B	C	
10	BM10B-ZPDSS-TF	6.0	11.2	9.2	1,000
12	BM12B-ZPDSS-TF	7.5	12.7	10.7	1,000
14	BM14B-ZPDSS-TF	9.0	14.2	12.2	1,000
16	BM16B-ZPDSS-TF	10.5	15.7	13.7	1,000
18	BM18B-ZPDSS-TF	12.0	17.2	15.2	1,000
20	BM20B-ZPDSS-TF	13.5	18.7	16.7	1,000
22	BM22B-ZPDSS-TF	15.0	20.2	18.2	1,000
24	BM24B-ZPDSS-TF	16.5	21.7	19.7	1,000
26	BM26B-ZPDSS-TF	18.0	23.2	21.2	1,000
28	BM28B-ZPDSS-TF	19.5	24.7	22.7	1,000
30	BM30B-ZPDZS-TF	21.0	26.2	24.2	1,000
32	BM32B-ZPDZS-TF	22.5	27.7	25.7	1,000
34	BM34B-ZPDZS-TF	24.0	29.2	27.2	1,000
36	BM36B-ZPDZS-TF	25.5	30.7	28.7	1,000
38	BM38B-ZPDZS-TF	27.0	32.2	30.2	1,000
40	BM40B-ZPDZS-TF	28.5	33.7	31.7	1,000

Material and Finish

Contact: Copper alloy, copper-undercoated, tin-plated (reflow treatment)
 Wafer: Polyamide, UL94V-0, natural (10 to 30 circuits)
 LCP, UL94V-0, ivory (32 to 40 circuits)
 Reinforcing tab: Copper alloy, copper-undercoated, tin-plated (reflow treatment)

Side entry type

No. of circuits	Model No.	Dimensions (mm)		Q'ty/reel
		A	B	
10	SM10B-ZPDSS-TF	6.0	11.2	700
12	SM12B-ZPDSS-TF	7.5	12.7	700
14	SM14B-ZPDSS-TF	9.0	14.2	700
16	SM16B-ZPDSS-TF	10.5	15.7	700
18	SM18B-ZPDSS-TF	12.0	17.2	700
20	SM20B-ZPDSS-TF	13.5	18.7	700
22	SM22B-ZPDSS-TF	15.0	20.2	700
24	SM24B-ZPDSS-TF	16.5	21.7	700
26	SM26B-ZPDSS-TF	18.0	23.2	700
28	SM28B-ZPDSS-TF	19.5	24.7	700
30	SM30B-ZPDSS-TF	21.0	26.2	700
32	SM32B-ZPDZS-TF	22.5	27.7	700
34	SM34B-ZPDZS-TF	24.0	29.2	700
36	SM36B-ZPDZS-TF	25.5	30.7	700
38	SM38B-ZPDZS-TF	27.0	32.2	700
40	SM40B-ZPDZS-TF	28.5	33.7	700

Material and Finish

Contact: Copper alloy, copper-undercoated, tin-plated (reflow treatment)
 Wafer: Polyamide, UL94V-0, natural (10 to 30 circuits)
 LCP, UL94V-0, ivory (32 to 40 circuits)

RoHS2 compliance This product displays (LF)(SN) on a label.
 The products listed above are supplied on embossed-tape.

RoHS2 compliance This product displays (LF)(SN) on a label.
 The products listed above are supplied on embossed-tape.

Model number allocation

Contact

S ZPD - 002 T - P 0.3

Form: S··Strip form

Series name

Applicable wire range: 002··AWG #28 to #24

Surface finish: T··Tin-plated (reflow treatment)

Material: P··Copper alloy

Terminal size

Housing (10 to 30 circuits)

ZPD R - 10 V - S

Series name

Part name: Socket

No. of circuits: Even number of circuits from 10 to 30

Flammability: V··UL94V-0

Color: S··Natural, Z··Ivory, MG··Moss green, TR··Tomato red,
DPK··Dark pink, E··Blue

Header

BM 10 B - ZPD S S - TF

Shape of assembled product:
BM··Top entry type
SM··Side entry type

No. of circuits: Even number of circuits from 10 to 40

Part name: Header

Series name

Color: <10 to 30 circuits>
S··Natural, Z··Ivory, MG··Moss green, TR··Tomato red,
DPK··Dark pink, E··Blue
<32 to 40 circuits> Z··Ivory, K··Black

Indication of clinch: S··Straight pin

Packaging style: TF··Embossed-taping

Housing (32 to 40 circuits)

ZPD R - 32 V - 1 - Z

Series name

Part name: Socket

No. of circuits: Even number of circuits from 32 to 40

Flammability: V··UL94V-0

Identification mark: 1

Color: Z··Ivory, K··Black